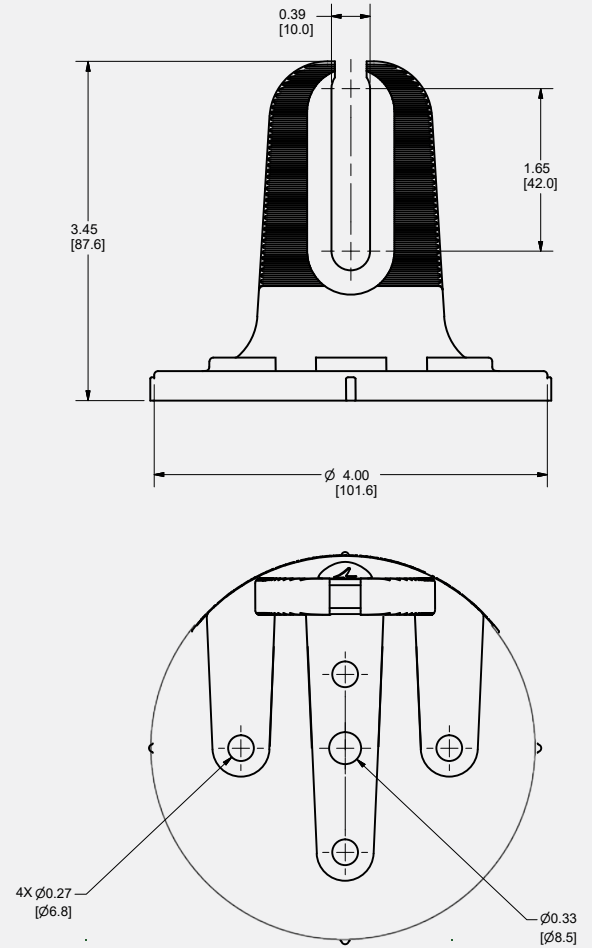


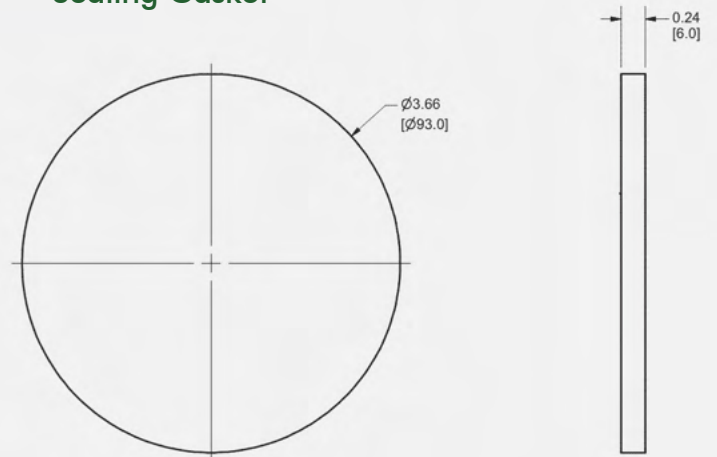
NanoMount®



NanoMount®



Sealing Gasket



Part Number	Description
NANOMOUNT-B	NanoMount® • NanoMount • Sealing Gasket

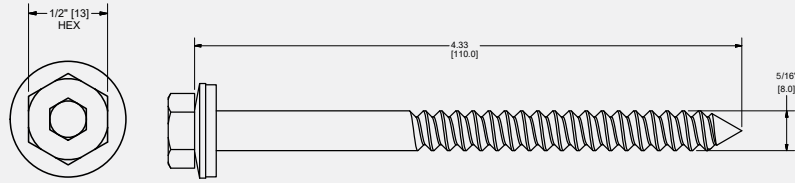
See Published data for allowable loads. Care should be taken to avoid concentrated loads during installation.

Material: Aluminum and Neoprene Gasket with Mastic Tape

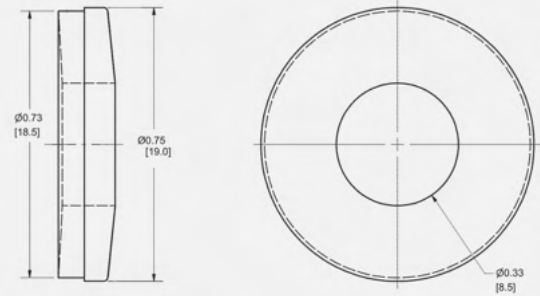
Lag Bolt Assembly



1. M8X110 Hex Head Lag Bolt



Sealing Washer

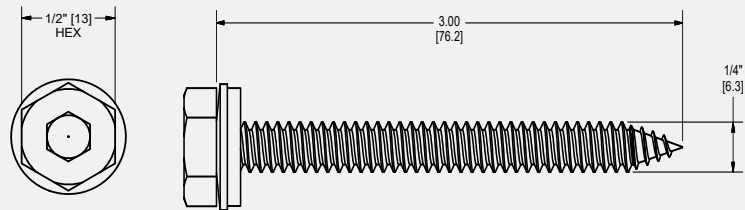


Material: Stainless Steel and EPDM

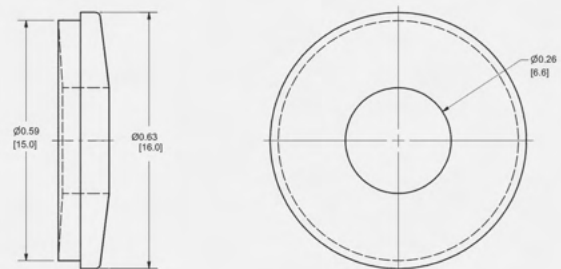
Decking Screw Assembly



2. #14 X 3" Self-Tapping Screw



Sealing Washer



Material: Stainless Steel and EPDM

Item No.	Part Number	Description
1	LAG-B	Lag Bolt Assembly <ul style="list-style-type: none"> <li>• M8X110 Hex Head Lag Bolt</li> <li>• Sealing Washer</li> </ul>
2	SCREW-B	Decking Screw Assembly <ul style="list-style-type: none"> <li>• #14 X 3" Self-Tapping Screw</li> <li>• Sealing Washer</li> </ul>