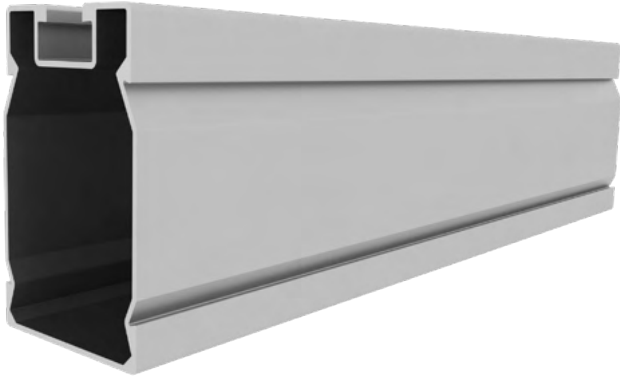
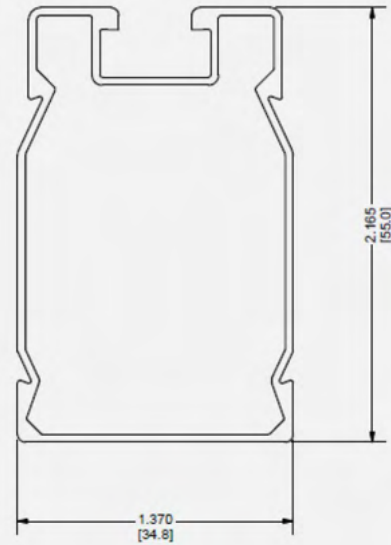


SMR100 Rail



SMR100 Rail



SMR Rail Splice



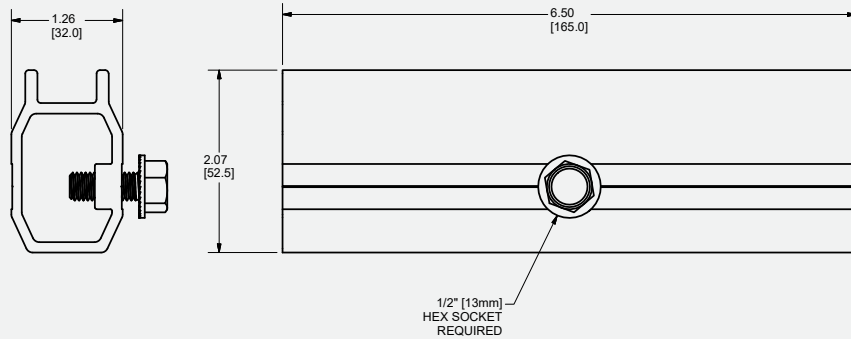
Mechanical Properties

Material: 6005-T5 Aluminum
 Weight: 0.4126 lbs/ft (0.614 kg/m)
 Ultimate Tensile Strength: 37.7 ksi (260 MPa)
 Yield Strength: 34.8 ksi (240 MPa)

Section Properties

Sx: 0.196 in³ (3.21 cm³)
 Sy: 0.146 in³ (2.39 cm³)
 Area (X-section): 0.352 in² (2.27 cm²)

SMR100 Rail Splice



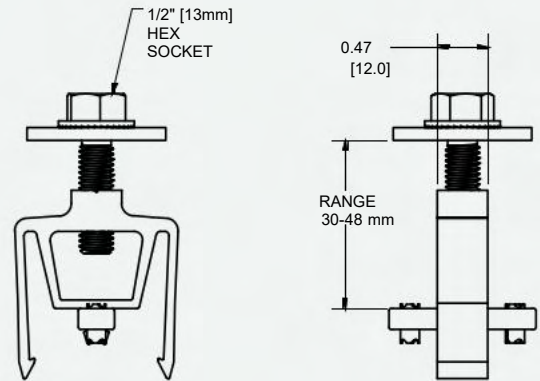
Material: Aluminum and Stainless Steel hardware

Part Number	Description
SMR100-168-M	SMR100 Rail, 168", Mill Finish
SPLC-SMR100	Rail Splice, SMR100
SPLC-SMR300	Rail Splice, SMR300

Mid Clamp

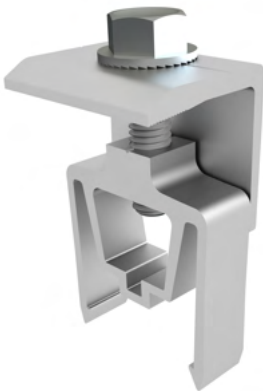


Pop-On Bonding Mid Clamp

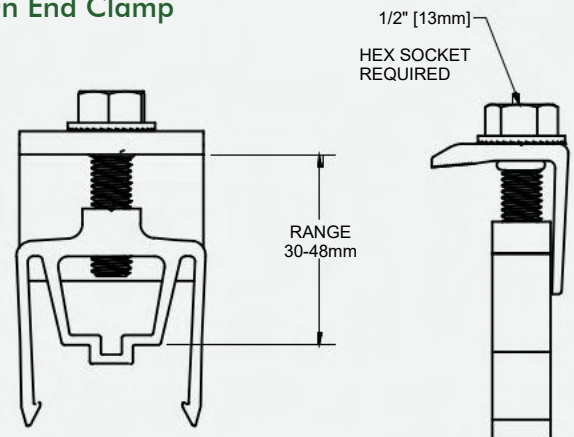


Material: Aluminum and Stainless Steel hardware

End Clamp



Pop-On End Clamp

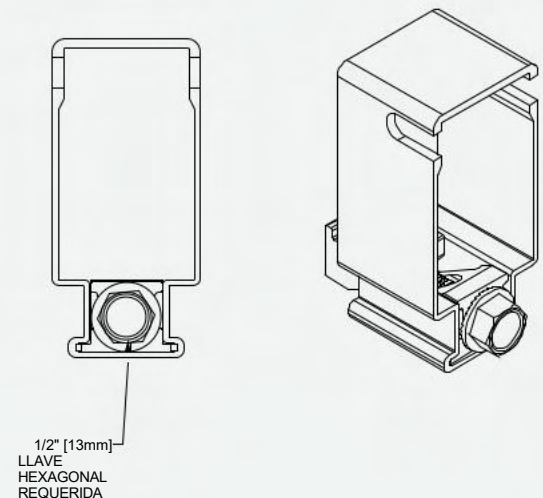


Materials: Aluminum and Stainless Steel hardware

Bottom End Clamp



Bottom End Clamp



Part Number	Description
CLMP-M D-SMR-S	Mid Clamp, SMR Pop-On, Silver
CLMP-END-SMR-S	End Clamp, SMR Pop-On, Silver
CLMP-BOT-SMR100-S	Bottom End Clamp, SMR100, Silver

Front Leg



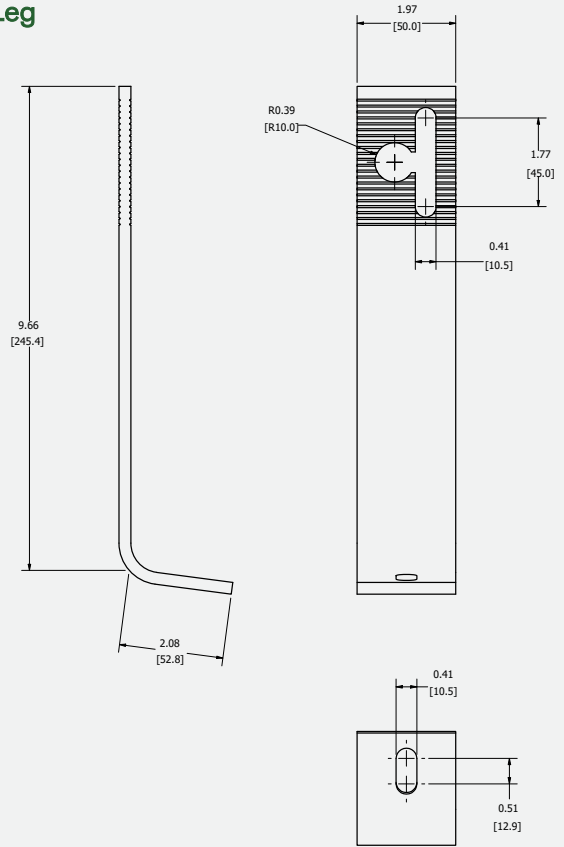
Rear Leg



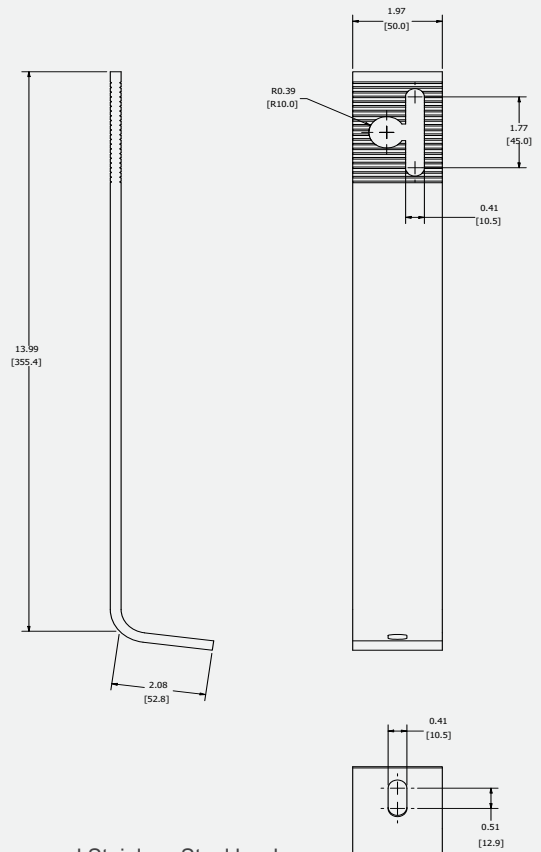
A20524-003-ML

Part Number	Description
TILT-MOUNT-FRONT-S	Front Tilt Mount, 5 or 10 Degree, Silver
TILT-MOUNT-REAR-S	Rear Tilt Mount, 5 or 10 Degree, Silver

Front Leg



Rear Leg



Material: Aluminum and Stainless Steel hardware

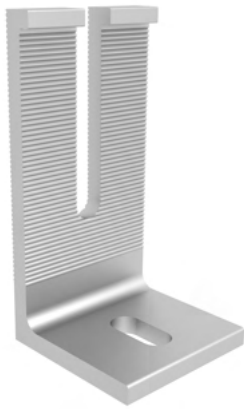
Dimensions shown are inches (and millimeters)

Details are subject to change without notice

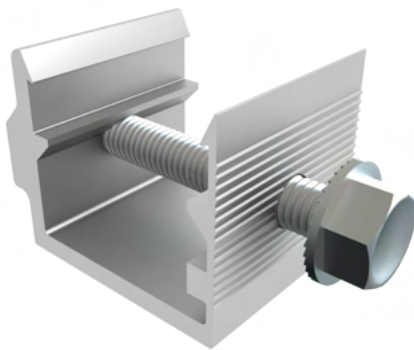
3" Tall Open L-Foot



4" Tall Open L-Foot

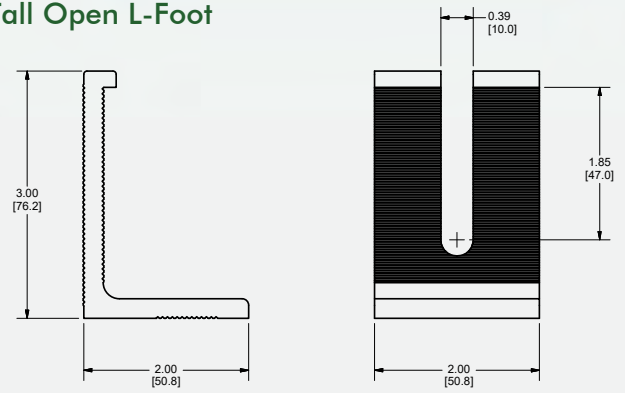


L-Foot Adaptors

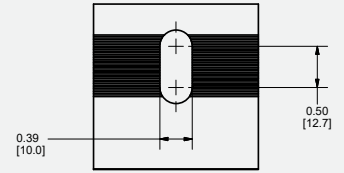


Part Number	Description
LFT-OPEN-3-S	L-Foot, Open, 3", Silver
LFT-OPEN-4-S	L-Foot, Open, 4", Silver
LFA-SMR100-S	L Foot Adaptor, SMR100, Silver

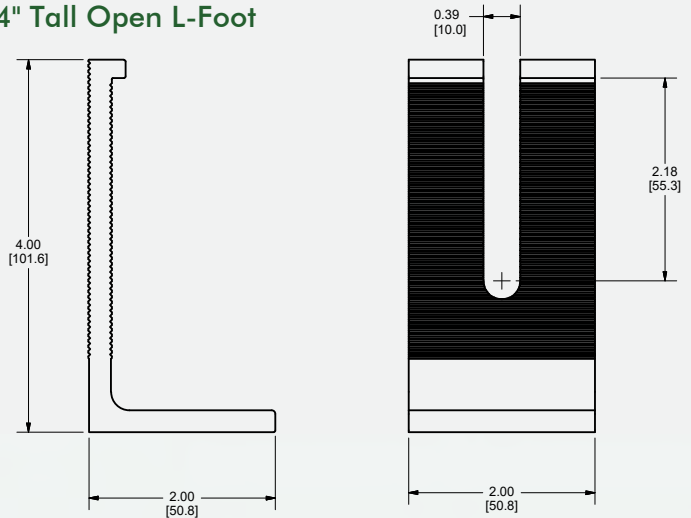
3" Tall Open L-Foot



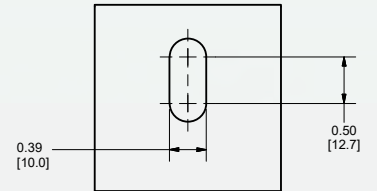
Material: Aluminum



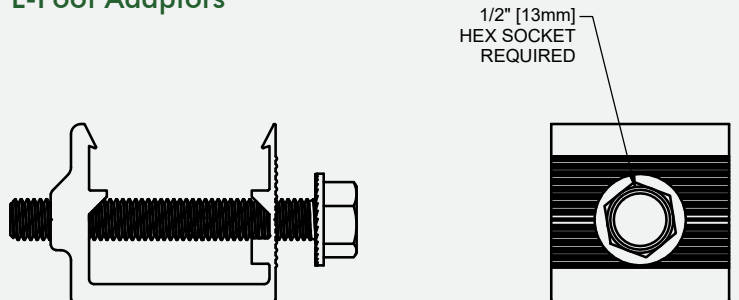
4" Tall Open L-Foot



Material: Aluminum



L-Foot Adaptors

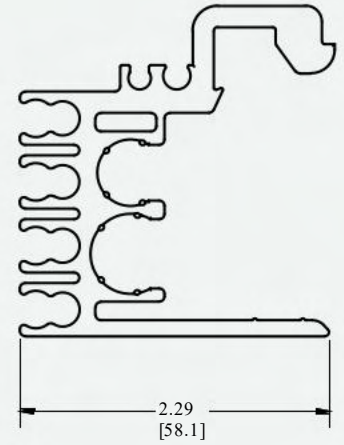
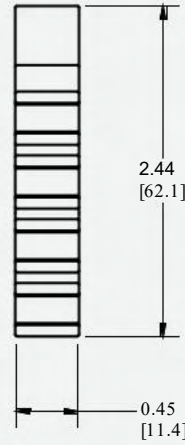


Material: Aluminum and Stainless Steel hardware

Wire Management Clip



Wire Management Clip

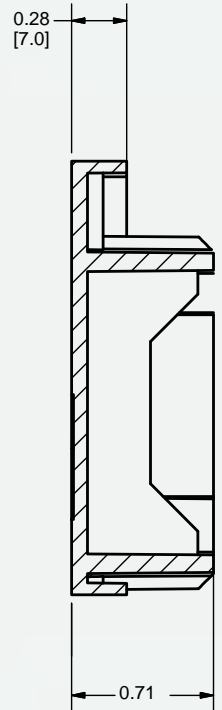
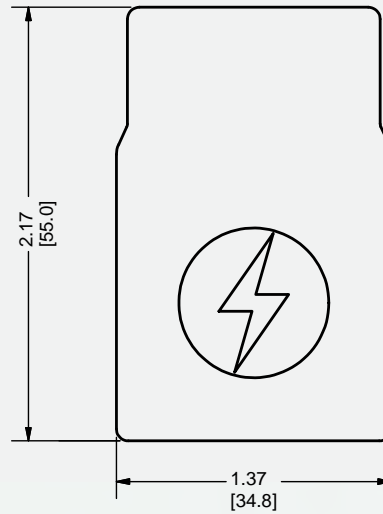


Material: Black Polyamide

Rail End Cap



Rail End Cap, SMR100



Material: EPDM

Part Number	Description
WIRE-SMR100-B	Wire Management Clip, SMR100
CAP-SMR100-B	Rail End Cap, SMR100, Black