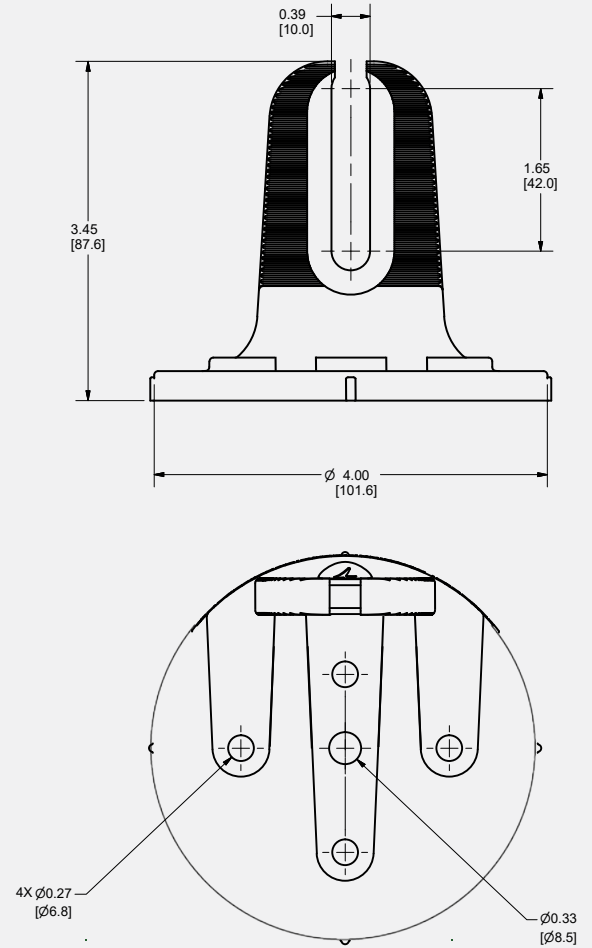


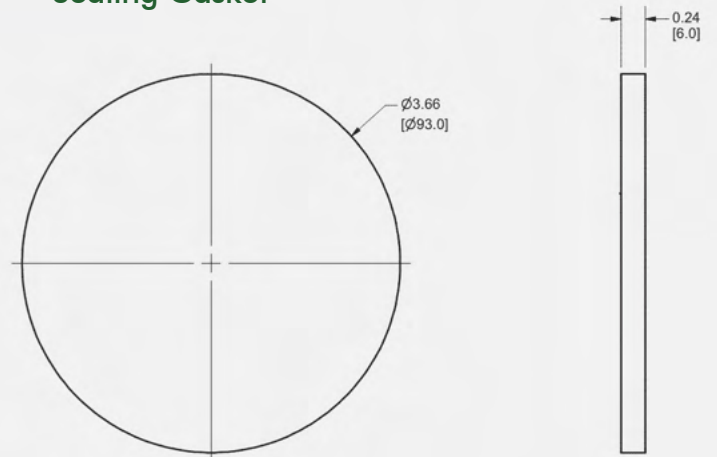
**NanoMount®**



**NanoMount®**



**Sealing Gasket**



| Part Number | Description                                   |
|-------------|---|
| K50063-BK1  | NanoMount®<br>• NanoMount<br>• Sealing Gasket |

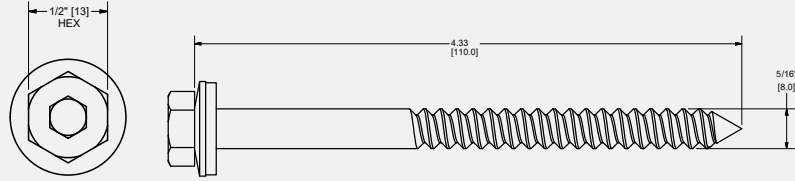
See Published data for allowable loads. Care should be taken to avoid concentrated loads during installation.

Material: Aluminum and Neoprene

Lag Bolt Assembly



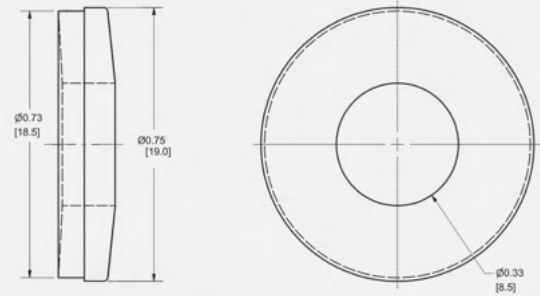
1. M8X110 Hex Head Lag Bolt



Decking Screw Assembly

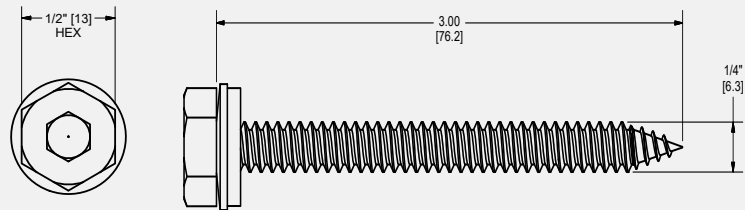


Sealing Washer

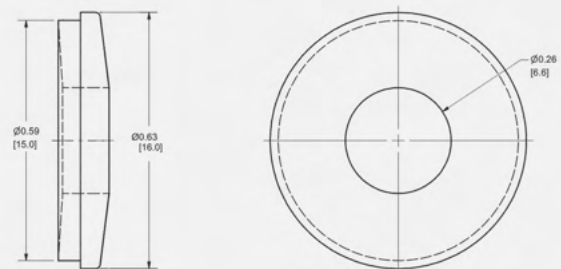


Material: Stainless Steel and EPDM

2. #14 X 3\"/>



Sealing Washer



Material: Stainless Steel and EPDM

| Item No. | Part Number | Description  |
|----------|-------------|--|
| 1        | K50049-BK1  | Lag Bolt Assembly <ul style="list-style-type: none"> <li>• M8X110 Hex Head Lag Bolt</li> <li>• Sealing Washer</li> </ul> |
| 2        | K50055-BK2  | Decking Screw Assembly <ul style="list-style-type: none"> <li>• #14 X 3\"/&gt; </li></ul>                                |