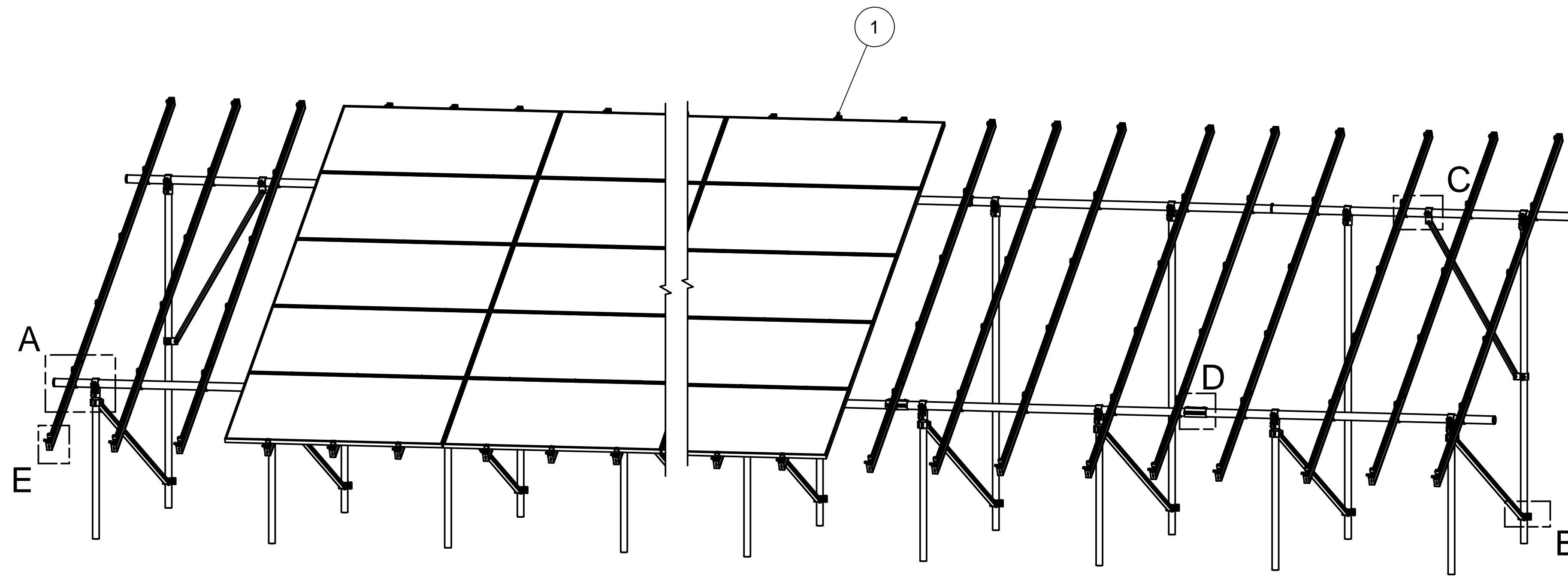


NOTES: UNLESS OTHERWISE SPECIFIED

- THIS DRAWING IS NOT FOR CONSTRUCTION UNTIL ENGINEERING HAS REVIEWED AND STAMPED THIS DOCUMENT.
- DIMENSIONS SHOWN ARE INCHES.
- THE SELF-BONDING SYSTEM AND SINGLE GROUND LUG IS FOR USE WITH PV MODULES THAT HAVE A MAXIMUM SERIES FUSE RATING OF 30A.
- MATERIALS ARE AS SPECIFIED OR EQUIVALENT:
HARDWARE: 304 STAINLESS STEEL
FABRICATED EXTRUDED PARTS: 6005-T5 ALUMINUM ALLOY
FABRICATED DIE CAST PARTS: ANSI/AA A380 ALUMINUM ALLOY
STEEL PIPE: SCHEDULE 40 GALVANIZED
ALUMINUM PIPE: SCHEDULE 10 ANODIZED
- THE MAXIMUM PERMISSIBLE LENGTH OF ANY STRUCTURE SHALL BE 200 FT. FOR SYSTEMS USING A SHARED RAIL CONFIGURATION, A THERMAL BREAK IS REQUIRED IN THE RAIL EVERY 40 FT. PER THE DRAWING DETAILS.
- SUNTURF SYSTEM CONFIGURATIONS:
PANEL ARRANGEMENT: 5LXN.
TILT ANGLE: UP TO 15-30 DEG.
FOUNDATION TYPE: GSM, AGM, BGM, OR PGM..
- PANEL DIMENSIONS ARE AS FOLLOWS:
STANDARD PANEL (SP): MAX AREA: 3444 in²
LARGE FORMAT (LF): MAX AREA: 3825 in²
PANEL FRAME HEIGHTS: 30mm TO 50mm
- FOUNDATION TYPES:
GSM = GROUND SCREW GROUND MOUNT
AGM = HELICAL AUGER GROUND MOUNT
PGM = POST-IN-CONCRETE GROUND MOUNT
BGM = BALLAST GROUND MOUNT
- SEE LETTER PROVIDED BY VECTOR STRUCTURALENGINEERING, LLC FOR FOUNDATION DESIGN AND LOAD TESTING REQUIREMENTS

Packet B7	
Model Code	ASCE 7-16
Exposure Category	C and Lower
Wind Speed	105 mph and Lower
Ground Snow Load	50 PSF and Lower
Tilt	15 TO 30 DEG



**5L
5-IN-LANDSCAPE**



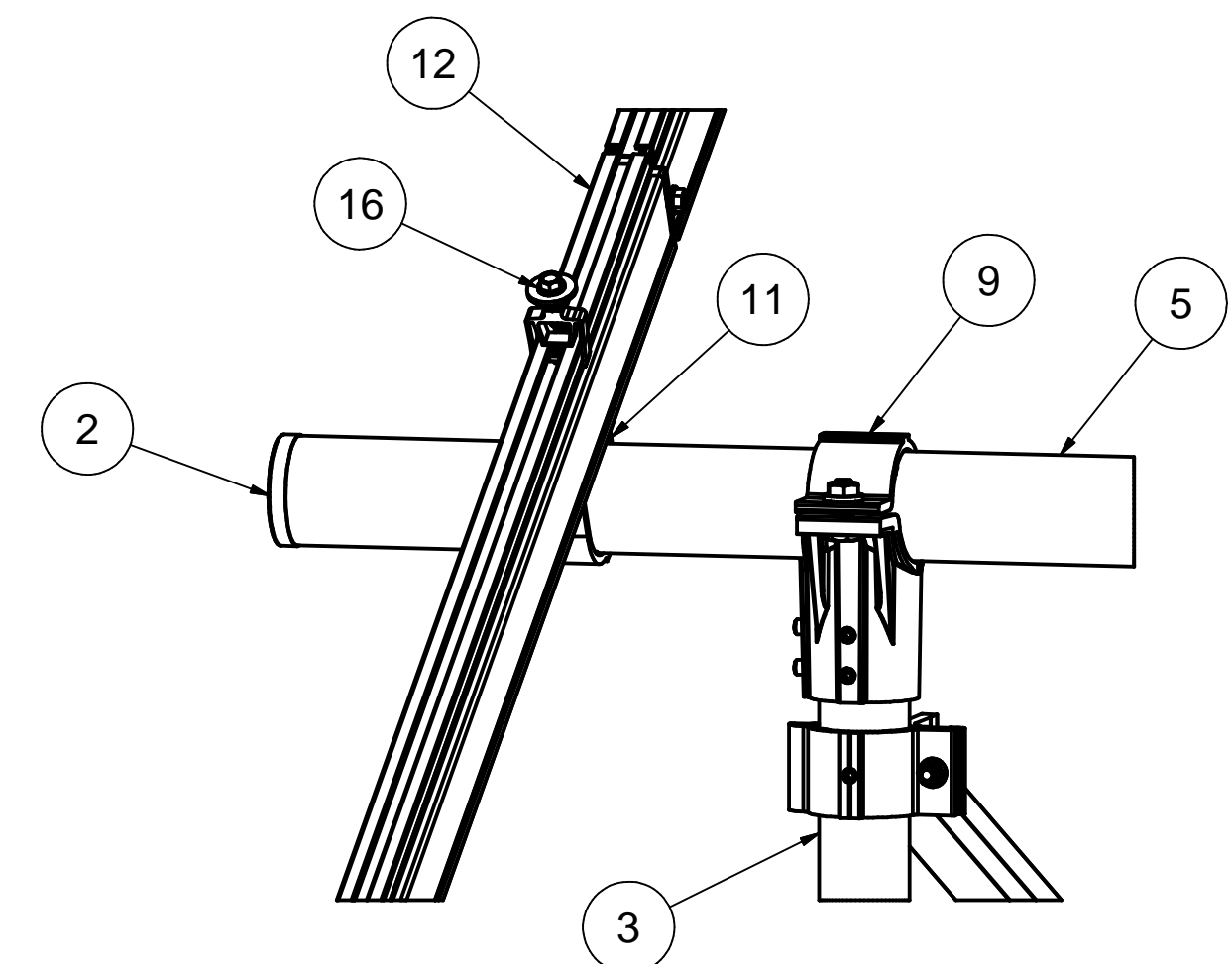
License Expires: 11-30-2024

VECTOR ENGINEERS

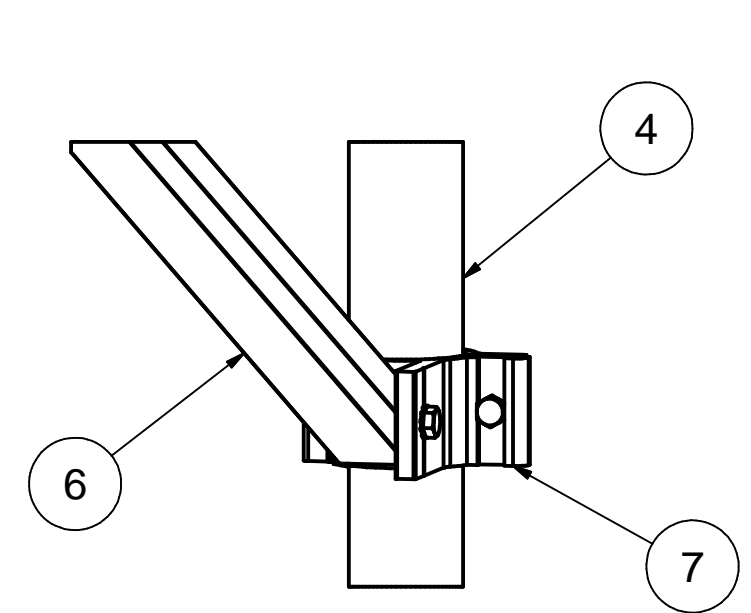
651 W. GALENA PARK BLVD. STE. 101 PHOENIX, AZ 85015
CHANDLER, AZ 85226

VECTOR PROJECT #: U2716.0366.231
IL FIRM LICENSE #: 184.005810 - COA

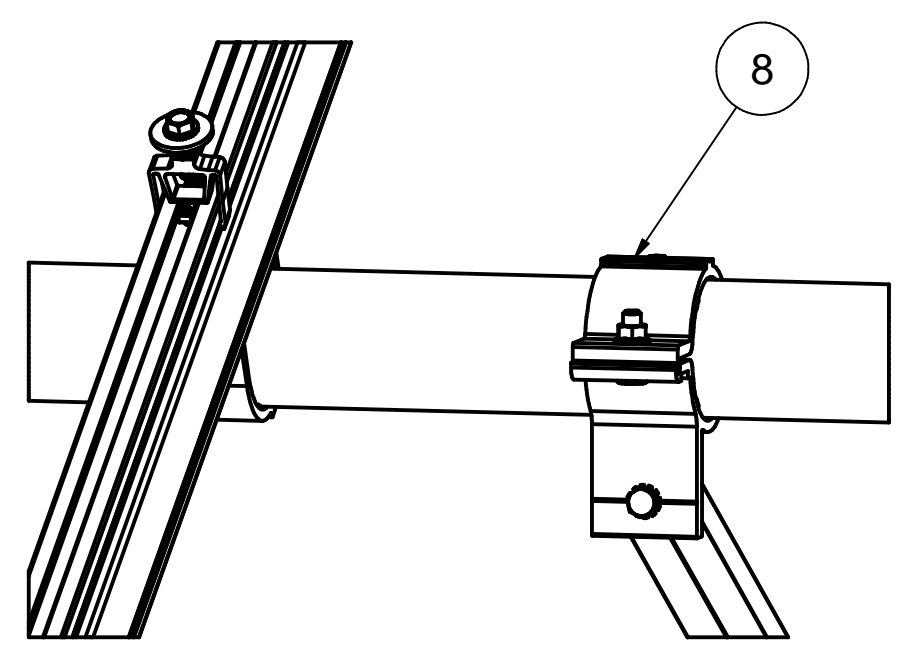
Vector Structural Engineering requires that we review each site-specific install, and we are not liable for installs at site-specific locations we have not reviewed. This document does not address site-specific installations.



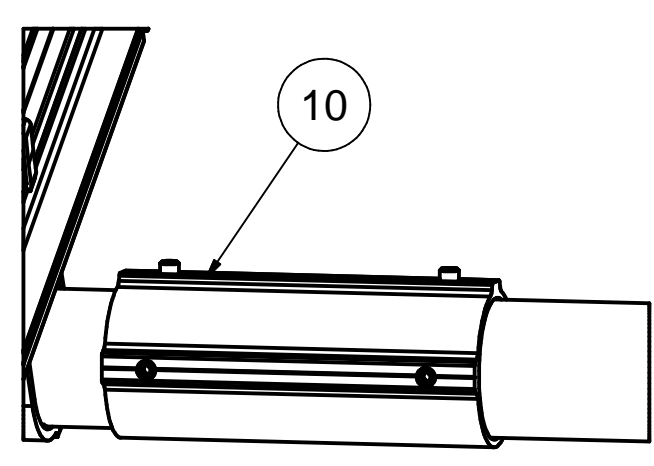
DETAIL A



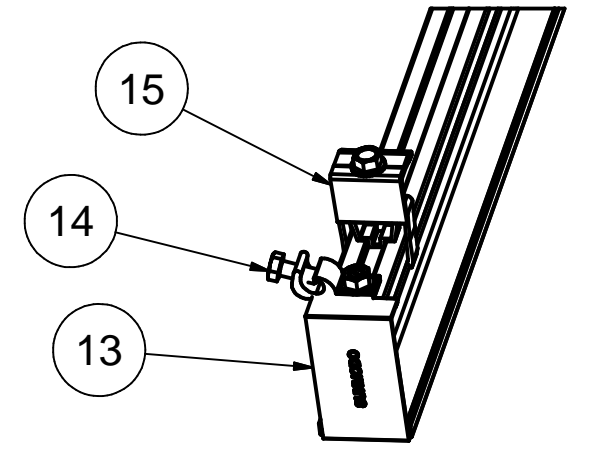
DETAIL B



DETAIL C



DETAIL D



DETAIL E

ITEM	PART NUMBER	DESCRIPTION	QTY
16	K10417-XXX	MID CLAMP,SMR POP-ON,CLEAR	
15	K10418-XXX	SMR POP-ON END CLAMP KIT,CLEAR	
14	K10469-004	M8 HEX GROUND LUG KIT	
13	A20445-001	SMR300 RAIL END CAP	
12	A20444-XXX	SMR300 RAIL, L=XXX	
11	K10343-005	2.5" AL PIPE U-CLAMP KIT	
10	K10342-001	2.5" PIPE SPLICE KIT	
9	K10341-002	2.5" PIPE TEE KIT	
8	K10222-001	2.5" PIPE CLAMP KIT	
7	K10219-001	2" AL PIPE CLAMP KIT	
6	A50164-XXX	1.5"X1.5"X0.083" GAL STEEL TUBE BRACE,L=XXX	
5	A21168-XXX	PIPE, HSS, 2.875" OD X 12 GAUGE,L=XXX	
4	A21165-XXX(REAR)	PIPE, HSS, 2.375" OD X 12 GAUGE,L=XXX	
3	A21165-XXX(FRONT)	PIPE, HSS, 2.375" OD X 12 GAUGE,L=XXX	
2	A20380-001	2.5" PIPE END CAP	
1		PANEL	

MATERIAL: SEE BOM

Third Angle Projection:

GENERAL SPECIFICATIONS
All Dimensions in inches (millimeters)
Tolerances:
FRACTIONS (0.25mm)
X.XX (0.01mm) Break all sharp edges
X.XX (0.01mm) 010-020 unless
X.XX (0.01mm) otherwise specified

DRAWN BY: LU DATE: 02/17/2023

CHECKED BY:

SunModo Corp.
14800 NE 65TH STREET, VANCOUVER WA 98682

TITLE: PACKET B7

D: DRAWING NUMBER

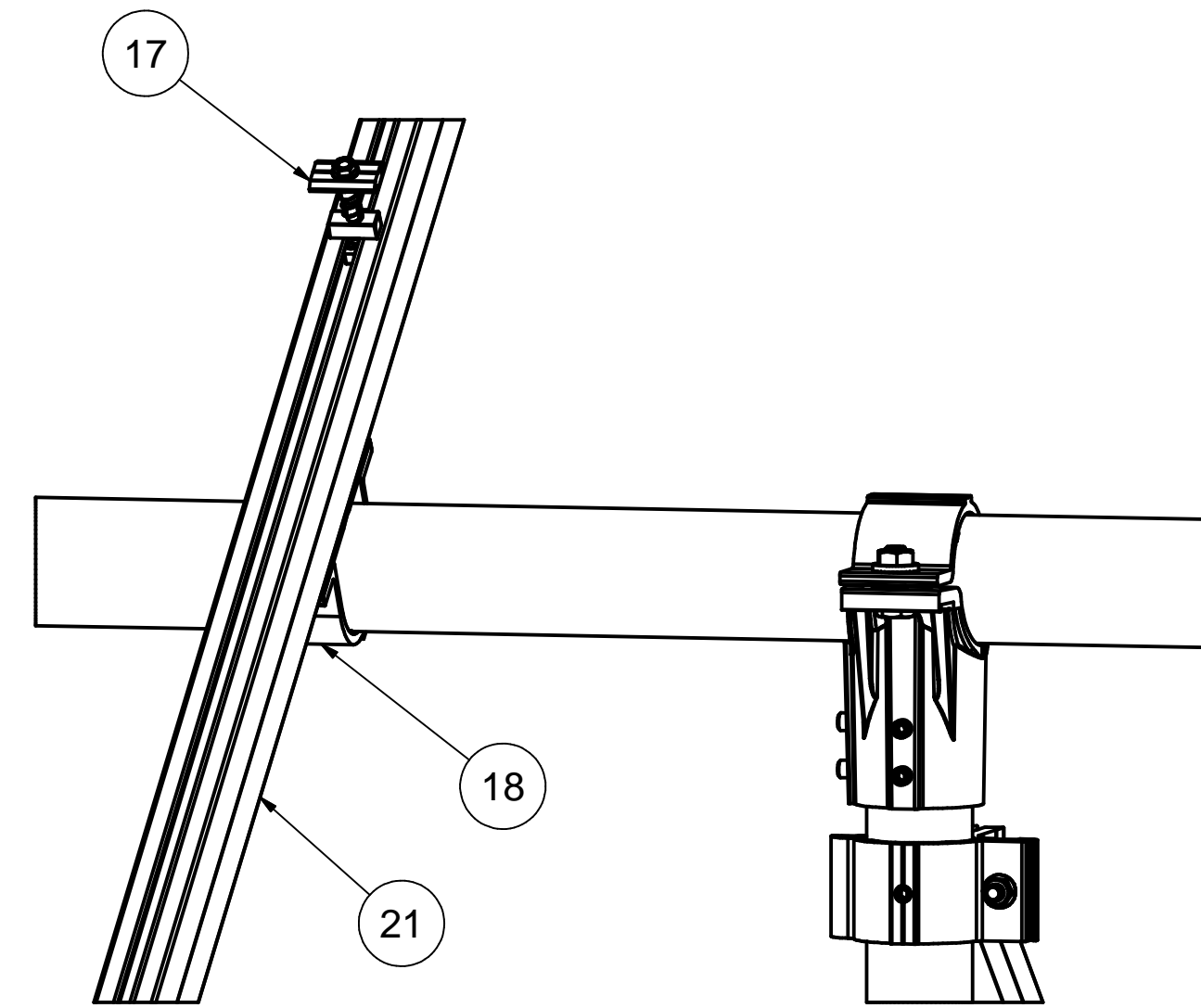
SCALE: 1/30 SHEET 1 of 5

THIS DRAWING IS CONFIDENTIAL PROPERTY OF SUNMODO AND ITS CONTENTS MAY NOT BE DISCLOSED WITHOUT THE PRIOR WRITTEN CONSENT OF SUNMODO CORP.

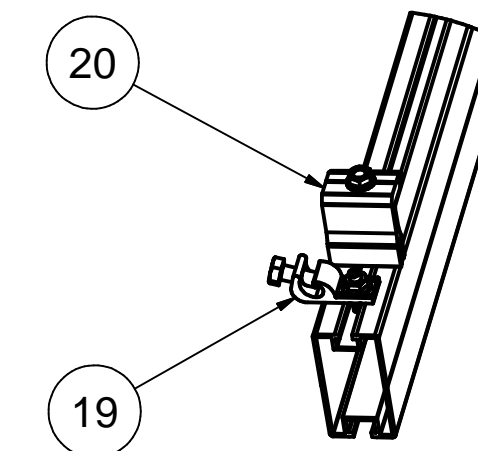
NOTES: UNLESS OTHERWISE SPECIFIED

1. APPROVED RAIL PROFILES - STANDARD PANELS
A20288-XXX (HR300 RAIL), A20297-001 (END CAP),
K10343-004 (U-CLAMP KIT);
A20145-XXX (HR350 RAIL), A20285-001 (END CAP),
K10343-001 (U-CLAMP KIT).
2. APPROVED RAIL PROFILES - LARGE FORMAT
* A20288-XXX (HR300 RAIL), A20297-001 (END CAP),
K10343-004 (U-CLAMP KIT);
* A20145-XXX (HR350 RAIL), A20285-001 (END CAP),
K10343-001 (U-CLAMP KIT).
3. K10224-XXX END CLAMP KIT OR K10299-XXX ADJ.
END CLAMP KIT.

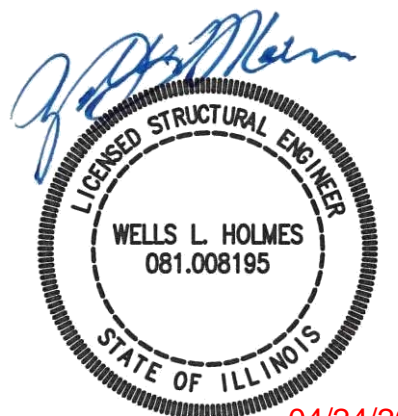
ALTERNATE(ALT) DETAILS
HR300, HR350 RAIL PROFILES



DETAIL A-ALT



DETAIL C-ALT



04/24/2024

License Expires: 11-30-2024



651 W. BALDWIN PARK BLVD. STE. 101 | P.O. BOX 1801 | 9502-1778
DRAWING: 1/2" = 1'-0" | WWW.VECTORINC.COM

VECTOR PROJECT #: U2716.0366.231
IL FIRM LICENSE #: 184.005810 - COA

Vector Structural Engineering requires that we review each site-specific install, and we are not liable for installs at site-specific locations we have not reviewed. This document does not address site-specific installations.

21		HELIO RAIL. VARIES PER NOTE 1 & 2	
20		END CLAMP KIT. VARIES PER NOTE 3	
19	K10469-003	HR GROUNDING LUG KIT	
18	K10343-XXX	2.5" AL PIPE U-CLAMP KIT	
17	K10180-001	GROUNDING MID-CLAMP KIT WITH T COLLAR BOLT AND GROUNDING BASE	
ITEM	PART NUMBER	DESCRIPTION	QTY

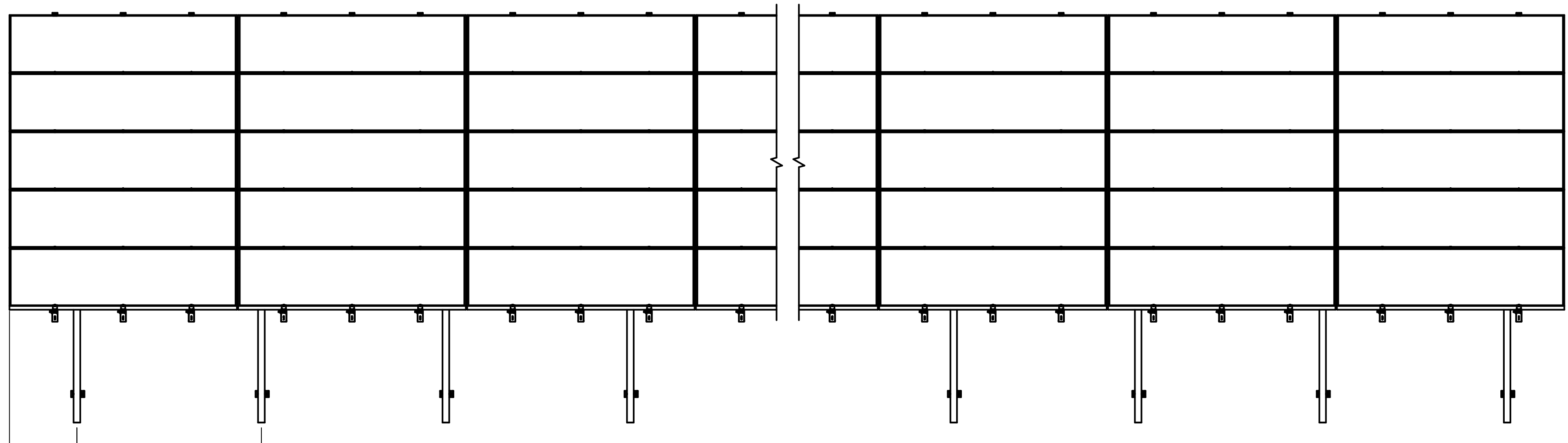
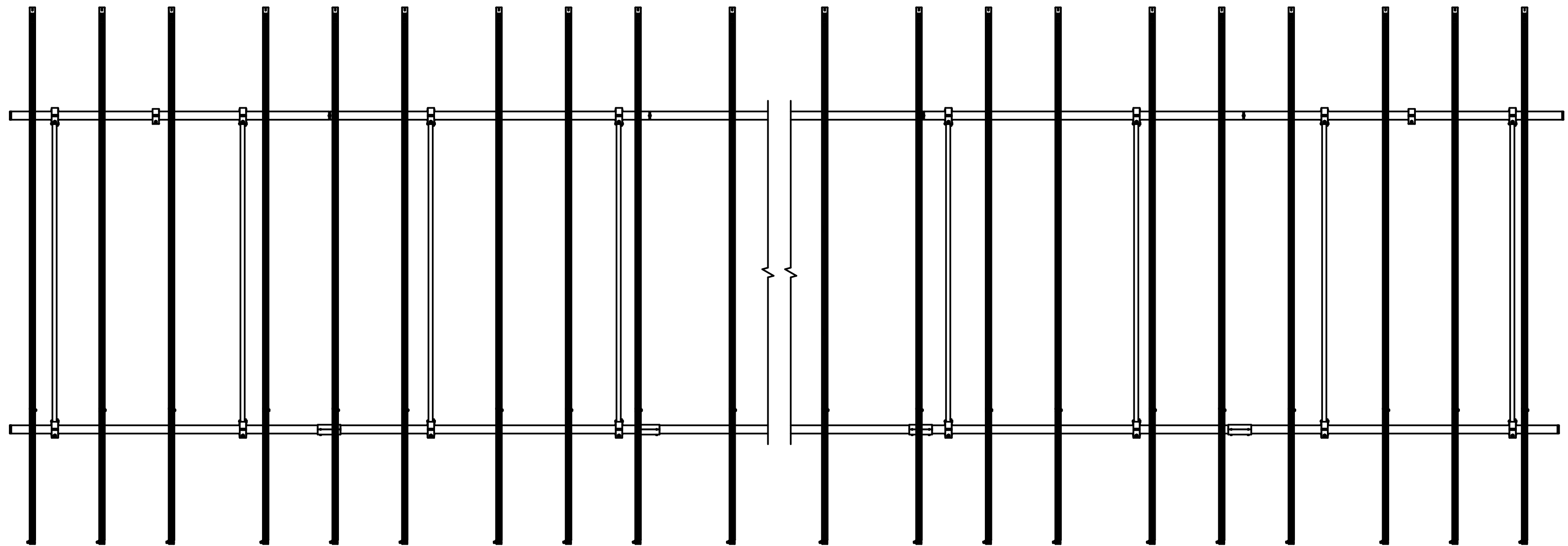
SunModo Corp.

TITLE: PACKET B7

DRAWING NUMBER: D

SCALE: SHEET 2 of 5 REV

NOTES:
 1. DIMENSIONS LABELED AS MAX ARE MAXIMUM ALLOWABLE AND MAY RESULT IN END POSTS BEING OUTSIDE ARRAY EDGES. MAXIMUM DIMENSIONS MAY BE REDUCED IF DESIRED.
 2. SEE NOTE 7 OF COVER PAGE FOR PANEL SIZES.



30 MAX ← → 66 MAX

5L
5-IN-LANDSCAPE



License Expires: 11-30-2024



VECTOR PROJECT #: U2716.0366.231
 IL FIRM LICENSE #: 184.005810 - COA

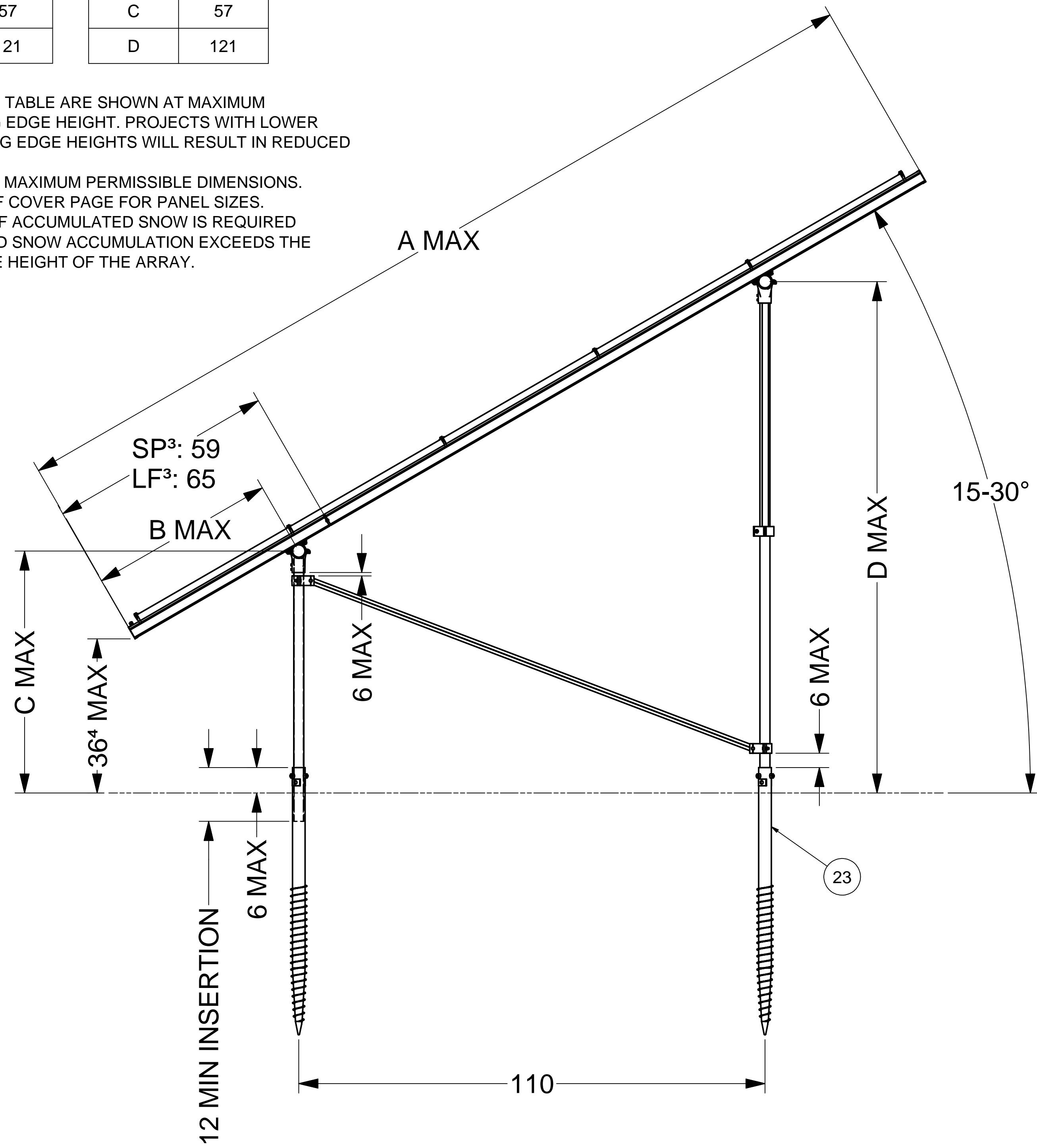
Vector Structural Engineering requires that we review each site-specific install, and we are not liable for installs at site-specific locations we have not reviewed. This document does not address site-specific installations.

SunModo Corp.			
TITLE			
PACKET B7			
DRAWING NUMBER			
D			
SCALE: 1/30	SHEET 3 of 5	REV	

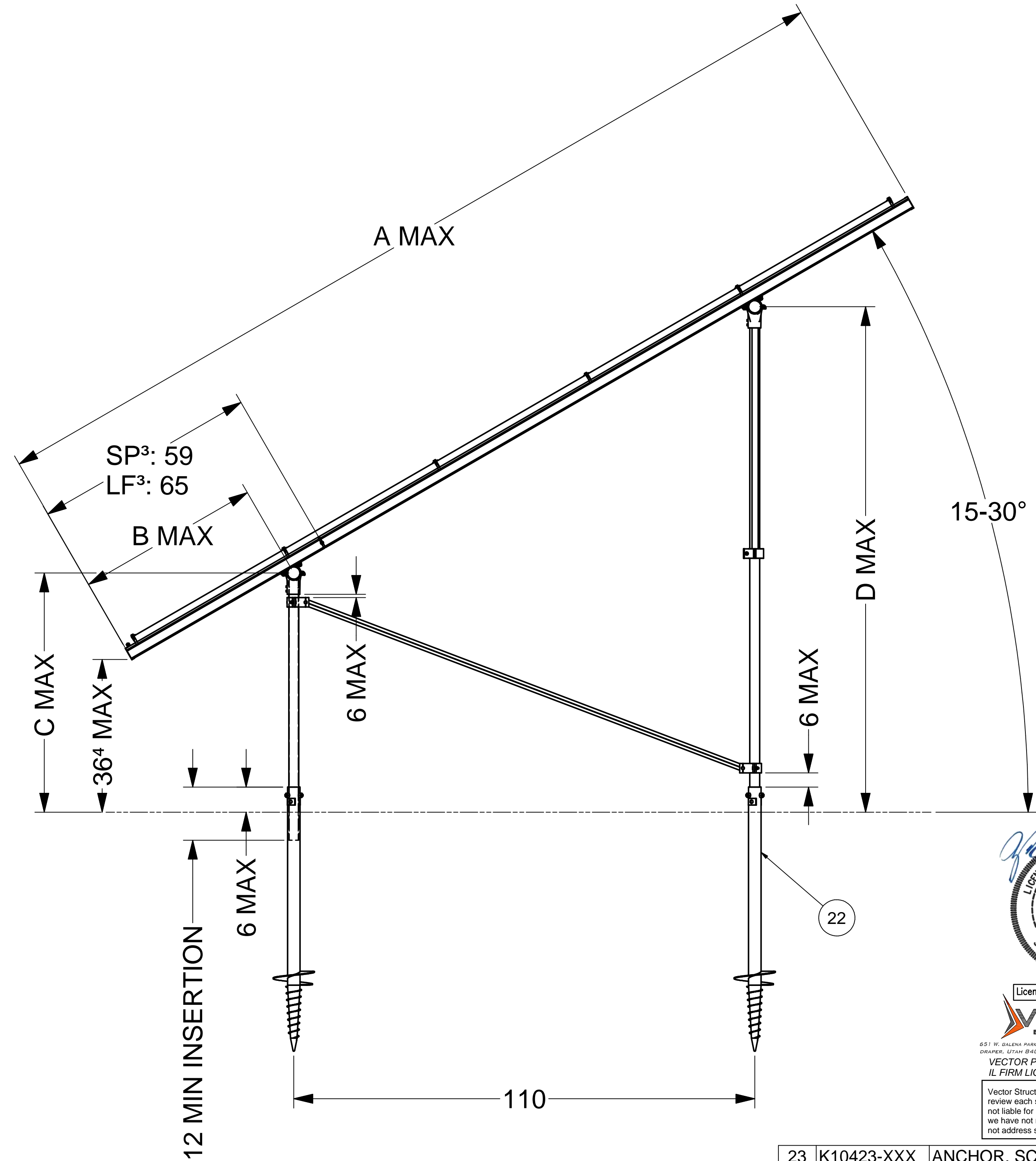
DIMENSIONS - SP		DIMENSIONS - LF	
ITEM	5L	ITEM	5L
A	212	A	214
B	49	B	50
C	57	C	57
D	121	D	121

NOTES

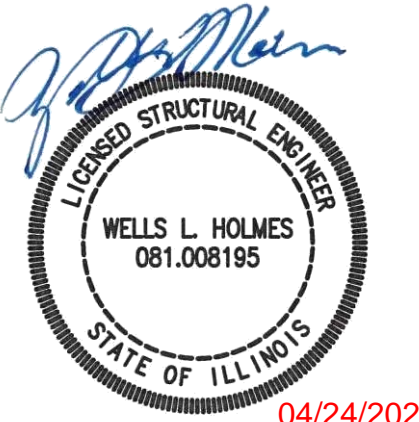
1. DIMENSIONS IN TABLE ARE SHOWN AT MAXIMUM TILT & LEADING EDGE HEIGHT. PROJECTS WITH LOWER TILTS & LEADING EDGE HEIGHTS WILL RESULT IN REDUCED DIMENSIONS.
2. MAX DENOTES MAXIMUM PERMISSIBLE DIMENSIONS.
3. SEE NOTE 7 OF COVER PAGE FOR PANEL SIZES.
4. CLEARANCE OF ACCUMULATED SNOW IS REQUIRED WHEN GROUND SNOW ACCUMULATION EXCEEDS THE LEADING EDGE HEIGHT OF THE ARRAY.



GROUND SCREW GROUND MOUNT (GSM)



AUGER GROUND MOUNT (AGM)



License Expires: 11-30-2024



VECTOR PROJECT #: U2716.0366.231
IL FIRM LICENSE #: 184.005810 - COA

Vector Structural Engineering requires that we review each site-specific install, and we are not liable for installs at site-specific locations we have not reviewed. This document does not address site-specific installations.

23	K10423-XXX	ANCHOR, SCREW AUGER KIT, L=XXX	
22	K10414-XXX	ANCHOR, 10" HELIX SCREW AUGER, L=XXX	
ITEM	PART NUMBER	DESCRIPTION	QTY

SunModo Corp.

TITLE: PACKET B7

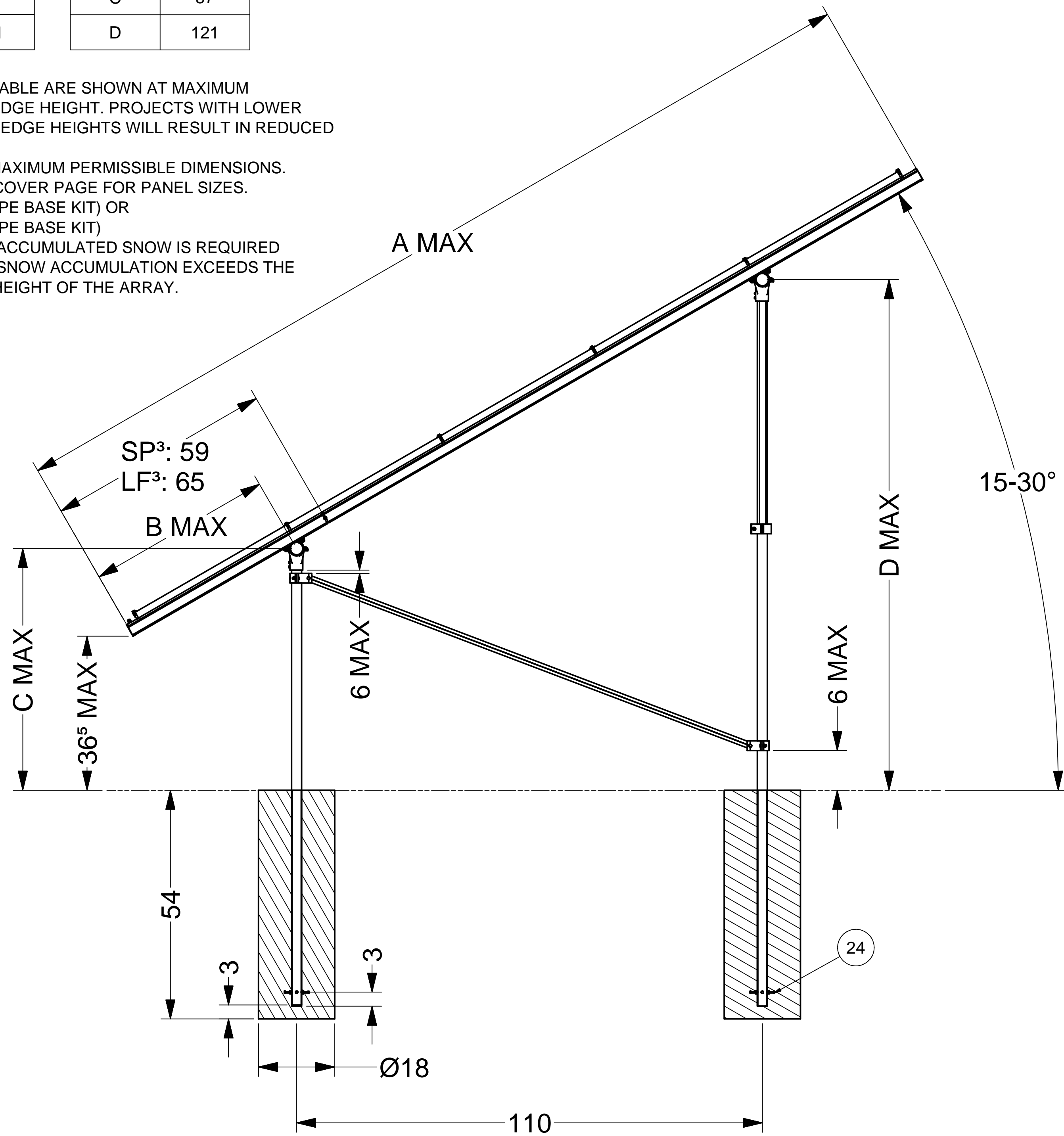
D: DRAWING NUMBER

SCALE: 1/18 SHEET 4 of 5 REV

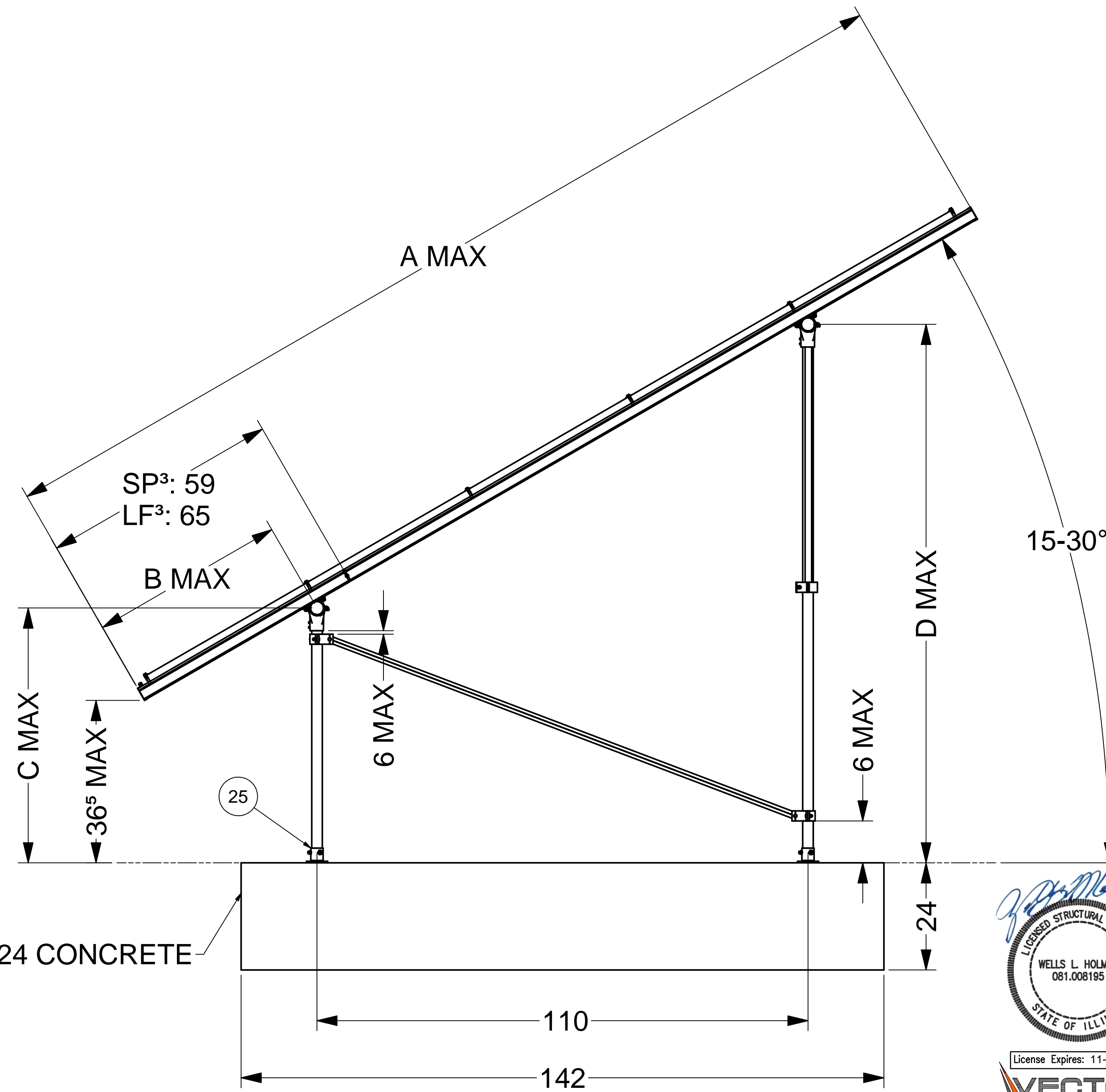
DIMENSIONS - SP		DIMENSIONS - LF	
ITEM	5L	ITEM	5L
A	212	A	214
B	49	B	50
C	57	C	57
D	121	D	121

NOTES

1. DIMENSIONS IN TABLE ARE SHOWN AT MAXIMUM TILT & LEADING EDGE HEIGHT. PROJECTS WITH LOWER TILTS & LEADING EDGE HEIGHTS WILL RESULT IN REDUCED DIMENSIONS.
2. MAX DENOTES MAXIMUM PERMISSIBLE DIMENSIONS.
3. SEE NOTE 7 OF COVER PAGE FOR PANEL SIZES.
4. K10268-005 (2" PIPE BASE KIT) OR K10302-001 (2" PIPE BASE KIT)
5. CLEARANCE OF ACCUMULATED SNOW IS REQUIRED WHEN GROUND SNOW ACCUMULATION EXCEEDS THE LEADING EDGE HEIGHT OF THE ARRAY.



POST-IN-CONCRETE GROUND MOUNT (PGM)



BALLAST GROUND MOUNT (BGM)

24	K10186-001	EMBEDDED 2.0" PIPE CLAMP KIT	
25		POST BASE. VARIES PER NOTE 4	
ITEM	PART NUMBER	DESCRIPTION	QTY



Vector Structural Engineering requires that we review each site-specific install, and we are not liable for installs at site-specific locations we have not reviewed. This document does not address site-specific installations.

SunModo Corp.			
TITLE: PACKET B7			
DRAWING NUMBER			
SCALE:	1/18	SHEET 5 of 5	REV