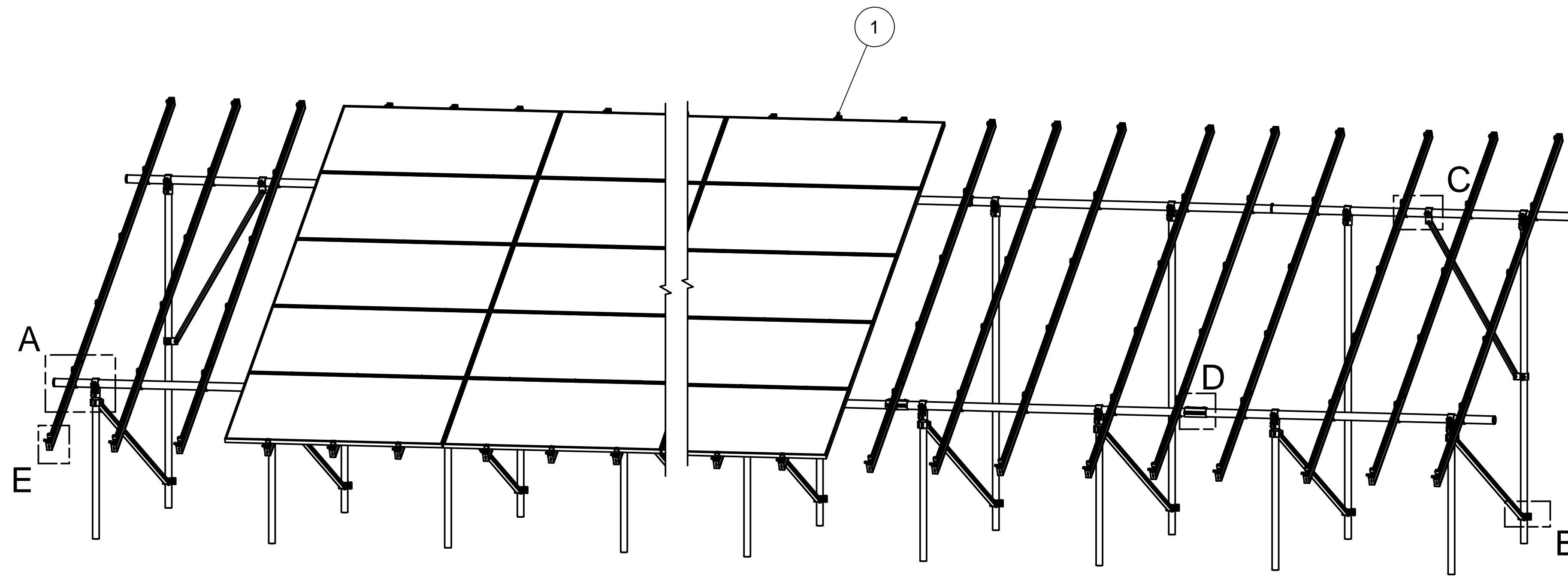


**NOTES: UNLESS OTHERWISE SPECIFIED**

- THIS DRAWING IS NOT FOR CONSTRUCTION UNTIL ENGINEERING HAS REVIEWED AND STAMPED THIS DOCUMENT.
- DIMENSIONS SHOWN ARE INCHES.
- THE SELF-BONDING SYSTEM AND SINGLE GROUND LUG IS FOR USE WITH PV MODULES THAT HAVE A MAXIMUM SERIES FUSE RATING OF 30A.
- MATERIALS ARE AS SPECIFIED OR EQUIVALENT:  
HARDWARE: 304 STAINLESS STEEL  
FABRICATED EXTRUDED PARTS: 6005-T5 ALUMINUM ALLOY  
FABRICATED DIE CAST PARTS: ANSI/AA A380 ALUMINUM ALLOY  
STEEL PIPE: SCHEDULE 40 GALVANIZED  
ALUMINUM PIPE: SCHEDULE 10 ANODIZED
- THE MAXIMUM PERMISSIBLE LENGTH OF ANY STRUCTURE SHALL BE 200 FT. FOR SYSTEMS USING A SHARED RAIL CONFIGURATION, A THERMAL BREAK IS REQUIRED IN THE RAIL EVERY 40 FT. PER THE DRAWING DETAILS.
- SUNTURF SYSTEM CONFIGURATIONS:  
PANEL ARRANGEMENT: 5LXN.  
TILT ANGLE: UP TO 15-30 DEG.  
FOUNDATION TYPE: GSM, AGM, BGM, OR PGM..
- PANEL DIMENSIONS ARE AS FOLLOWS:  
STANDARD PANEL (SP): MAX AREA: 3444 in<sup>2</sup>  
LARGE FORMAT (LF): MAX AREA: 3825 in<sup>2</sup>  
PANEL FRAME HEIGHTS: 30mm TO 50mm
- FOUNDATION TYPES:  
GSM = GROUND SCREW GROUND MOUNT  
AGM = HELICAL AUGER GROUND MOUNT  
PGM = POST-IN-CONCRETE GROUND MOUNT  
BGM = BALLAST GROUND MOUNT
- SEE LETTER PROVIDED BY VECTOR STRUCTURALENGINEERING, LLC FOR FOUNDATION DESIGN AND LOAD TESTING REQUIREMENTS

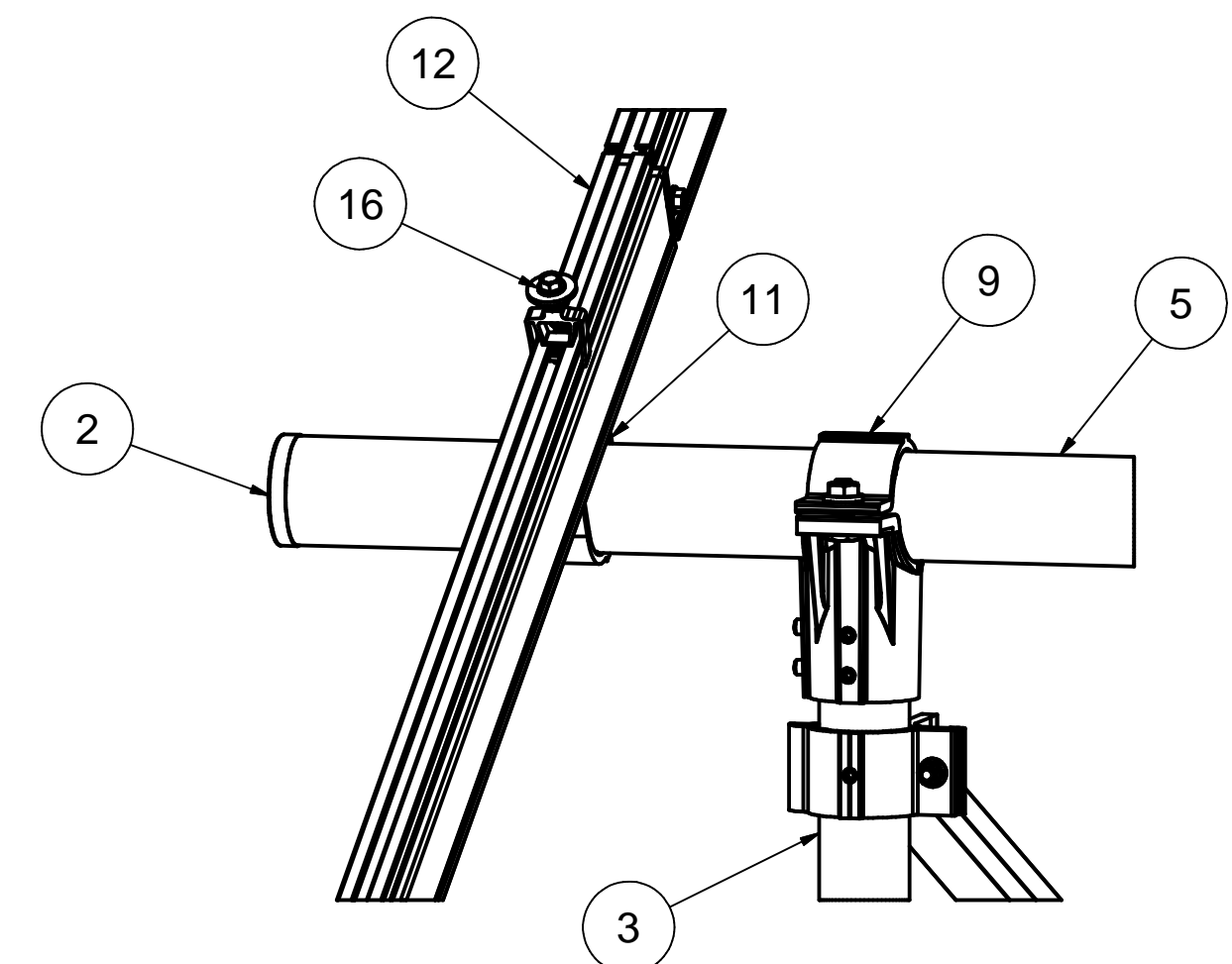
Packet B7	
Model Code	ASCE 7-16
Exposure Category	C and Lower
Wind Speed	105 mph and Lower
Ground Snow Load	50 PSF and Lower
Tilt	15 TO 30 DEG



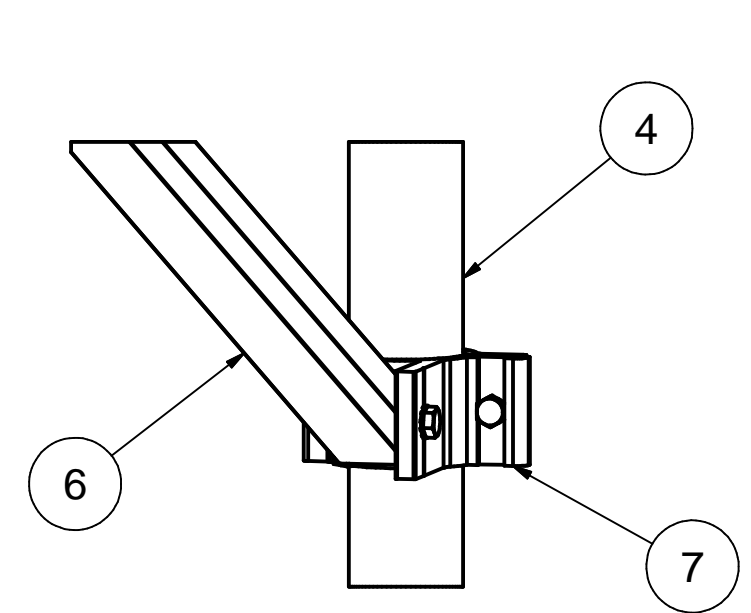
**5L  
5-IN-LANDSCAPE**

04/24/2024  
**VECTOR ENGINEERS**  
651 W. GILMAN AVE. SUITE 101 DRAPER, UTAH 84020  
PHONE: (801) 990-1775 WWW.VECTORME.COM  
VECTOR PROJECT #: U2716.0366.231

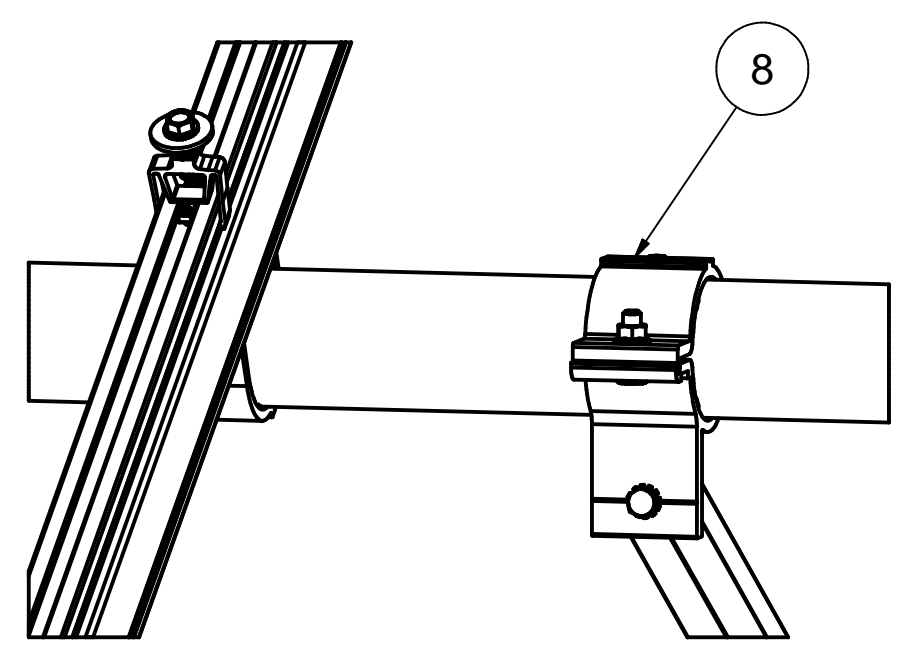
Vector Structural Engineering requires that we review each site-specific install, and we are not liable for installs at site-specific locations we have not reviewed. This document does not address site-specific installations.



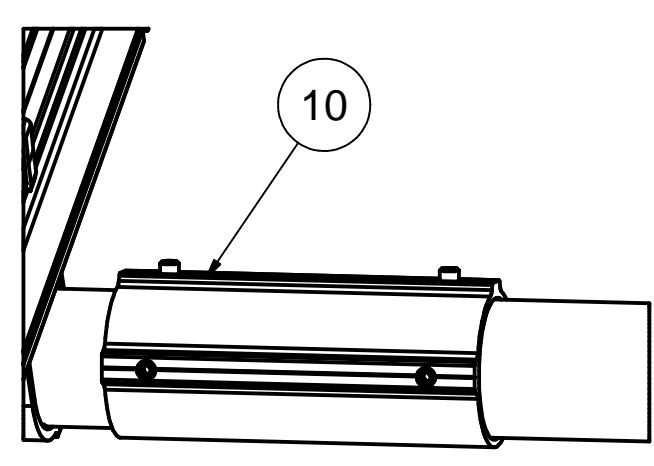
**DETAIL A**



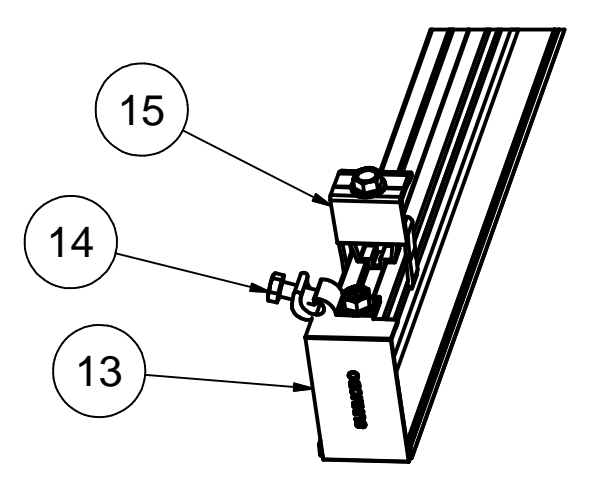
**DETAIL B**



**DETAIL C**



**DETAIL D**



**DETAIL E**

ITEM	PART NUMBER	DESCRIPTION	QTY
16	K10417-XXX	MID CLAMP,SMR POP-ON,CLEAR	
15	K10418-XXX	SMR POP-ON END CLAMP KIT,CLEAR	
14	K10469-004	M8 HEX GROUND LUG KIT	
13	A20445-001	SMR300 RAIL END CAP	
12	A20444-XXX	SMR300 RAIL, L=XXX	
11	K10343-005	2.5" AL PIPE U-CLAMP KIT	
10	K10342-001	2.5" PIPE SPLICE KIT	
9	K10341-002	2.5" PIPE TEE KIT	
8	K10222-001	2.5" PIPE CLAMP KIT	
7	K10219-001	2" AL PIPE CLAMP KIT	
6	A50164-XXX	1.5"X1.5"X0.083" GAL STEEL TUBE BRACE,L=XXX	
5	A21168-XXX	PIPE, HSS, 2.875" OD X 12 GAUGE,L=XXX	
4	A21165-XXX( REAR)	PIPE, HSS, 2.375" OD X 12 GAUGE,L=XXX	
3	A21165-XXX( FRONT)	PIPE, HSS, 2.375" OD X 12 GAUGE,L=XXX	
2	A20380-001	2.5" PIPE END CAP	
1		PANEL	

MATERIAL: SEE BOM

Third Angle Projection:

GENERAL SPECIFICATIONS  
All Dimensions in inches (millimeters)  
Tolerances:  
FRACTIONS (0.25mm)  
X.XX (0.05mm) Break all sharp edges  
X.X (0.05mm) 0.10-0.00 unless  
X.XX (0.05mm) otherwise specified

DRAWN BY: LU DATE: 02/17/2023

CHECKED BY: \_\_\_\_\_

**SunModo Corp.**  
14800 NE 65TH STREET, VANCOUVER WA 98682

TITLE: PACKET B7

D: DRAWING NUMBER

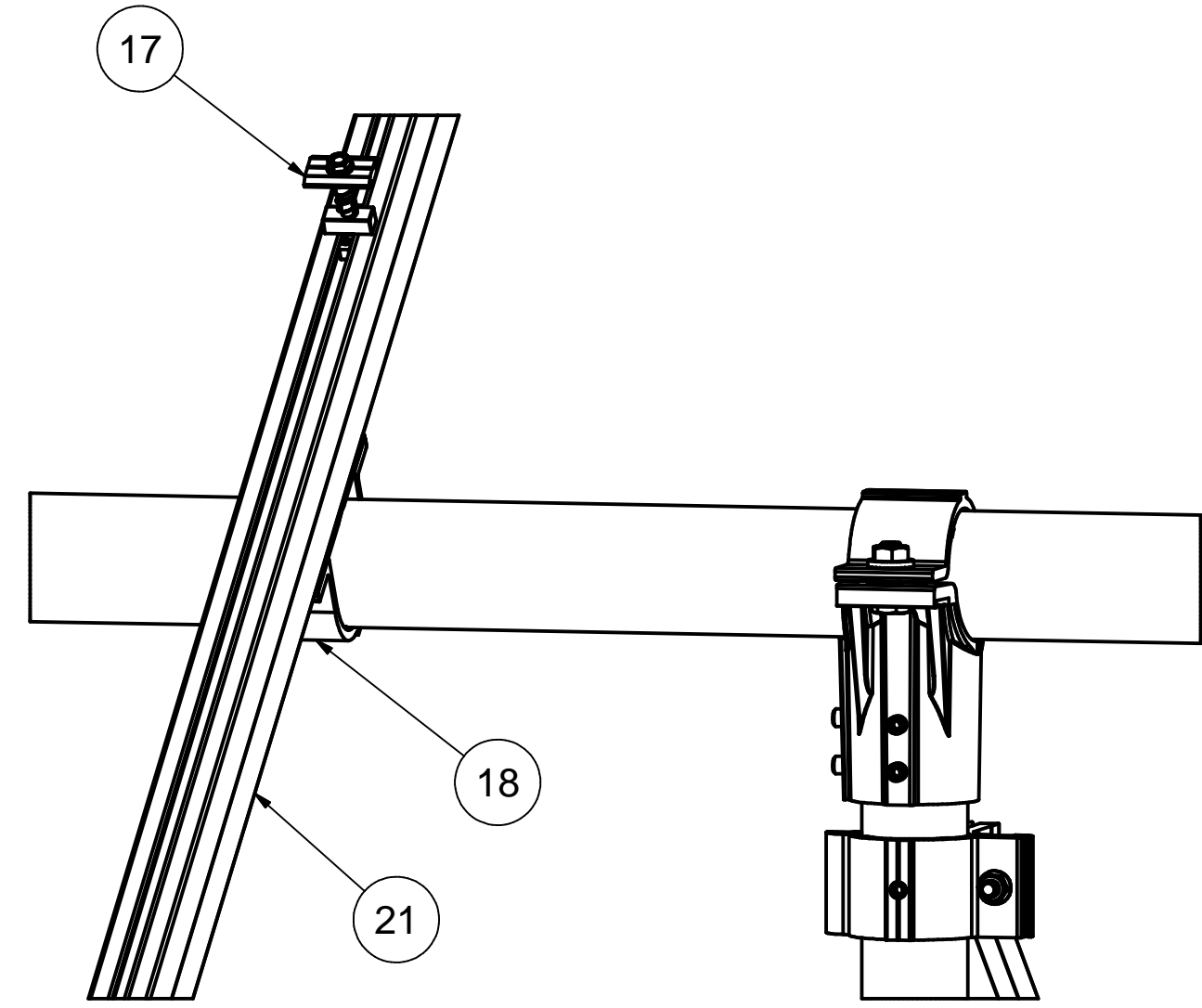
SCALE: 1/30 SHEET 1 of 5

THIS DRAWING IS CONFIDENTIAL PROPERTY OF SUNMODO AND ITS CONTENTS MAY NOT BE DISCLOSED WITHOUT THE PRIOR WRITTEN CONSENT OF SUNMODO CORP.

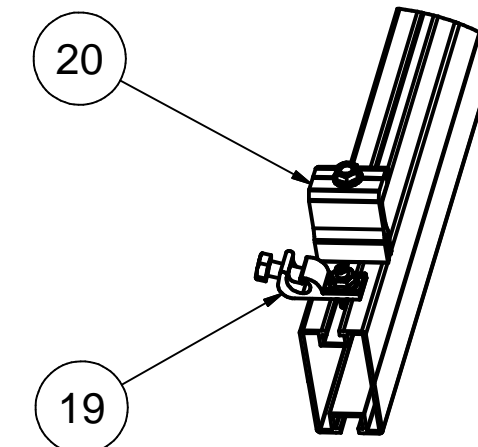
**NOTES: UNLESS OTHERWISE SPECIFIED**

1. APPROVED RAIL PROFILES - STANDARD PANELS  
A20288-XXX (HR300 RAIL), A20297-001 (END CAP),  
K10343-004 (U-CLAMP KIT);  
A20145-XXX (HR350 RAIL), A20285-001 (END CAP),  
K10343-001 (U-CLAMP KIT).
2. APPROVED RAIL PROFILES - LARGE FORMAT  
\* A20288-XXX (HR300 RAIL), A20297-001 (END CAP),  
K10343-004 (U-CLAMP KIT);  
\* A20145-XXX (HR350 RAIL), A20285-001 (END CAP),  
K10343-001 (U-CLAMP KIT).
3. K10224-XXX END CLAMP KIT OR K10299-XXX ADJ.  
END CLAMP KIT.

ALTERNATE(ALT) DETAILS  
HR300, HR350 RAIL PROFILES



DETAIL A-ALT



DETAIL C-ALT



04/24/2024  
**VECTOR ENGINEERS**  
851 W. GALENA PARK BLVD. STE. 101 | PHONE (801) 990-1775  
DANVILLE, UTAH 84002 | WWW.VECTORENG.COM  
VECTOR PROJECT #: U2716.0366.231

Vector Structural Engineering requires that we review each site-specific install, and we are not liable for installs at site-specific locations we have not reviewed. This document does not address site-specific installations.

21		HELIO RAIL. VARIES PER NOTE 1 & 2	
20		END CLAMP KIT. VARIES PER NOTE 3	
19	K10469-003	HR GROUNDING LUG KIT	
18	K10343-XXX	2.5" AL PIPE U-CLAMP KIT	
17	K10180-001	GROUNDING MID-CLAMP KIT WITH T COLLAR BOLT AND GROUNDING BASE	
ITEM	PART NUMBER	DESCRIPTION	QTY

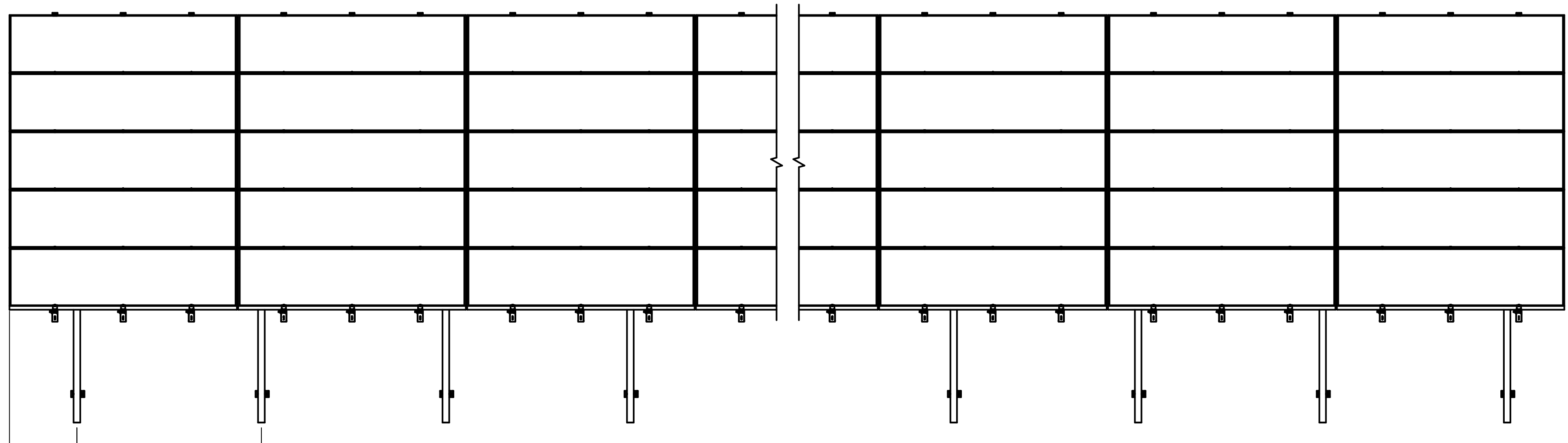
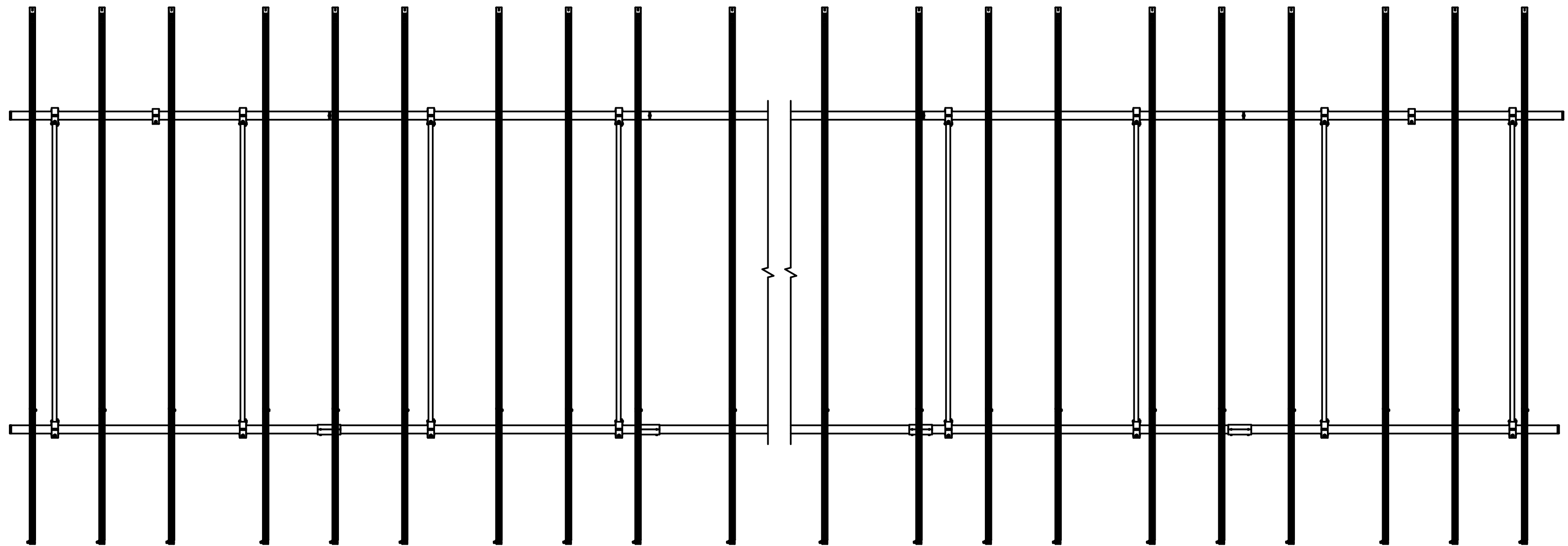
**SunModo Corp.**

TITLE: PACKET B7

D: DRAWING NUMBER

SCALE: SHEET 2 of 5 REV

**NOTES:**  
 1. DIMENSIONS LABELED AS MAX ARE MAXIMUM ALLOWABLE AND MAY RESULT IN END POSTS BEING OUTSIDE ARRAY EDGES. MAXIMUM DIMENSIONS MAY BE REDUCED IF DESIRED.  
 2. SEE NOTE 7 OF COVER PAGE FOR PANEL SIZES.



30 MAX ← → 66 MAX

5L  
 5-IN-LANDSCAPE



04/24/2024  
**VECTOR ENGINEERS**  
651 W. SALEM PARK BLVD. #TK. 101 DRAPER, UTAH 84020  
PHONE (801) 990-1775 WWW.VECTORENG.COM  
 VECTOR PROJECT #: U2716.0366.231

Vector Structural Engineering requires that we review each site-specific install, and we are not liable for installs at site-specific locations we have not reviewed. This document does not address site-specific installations.

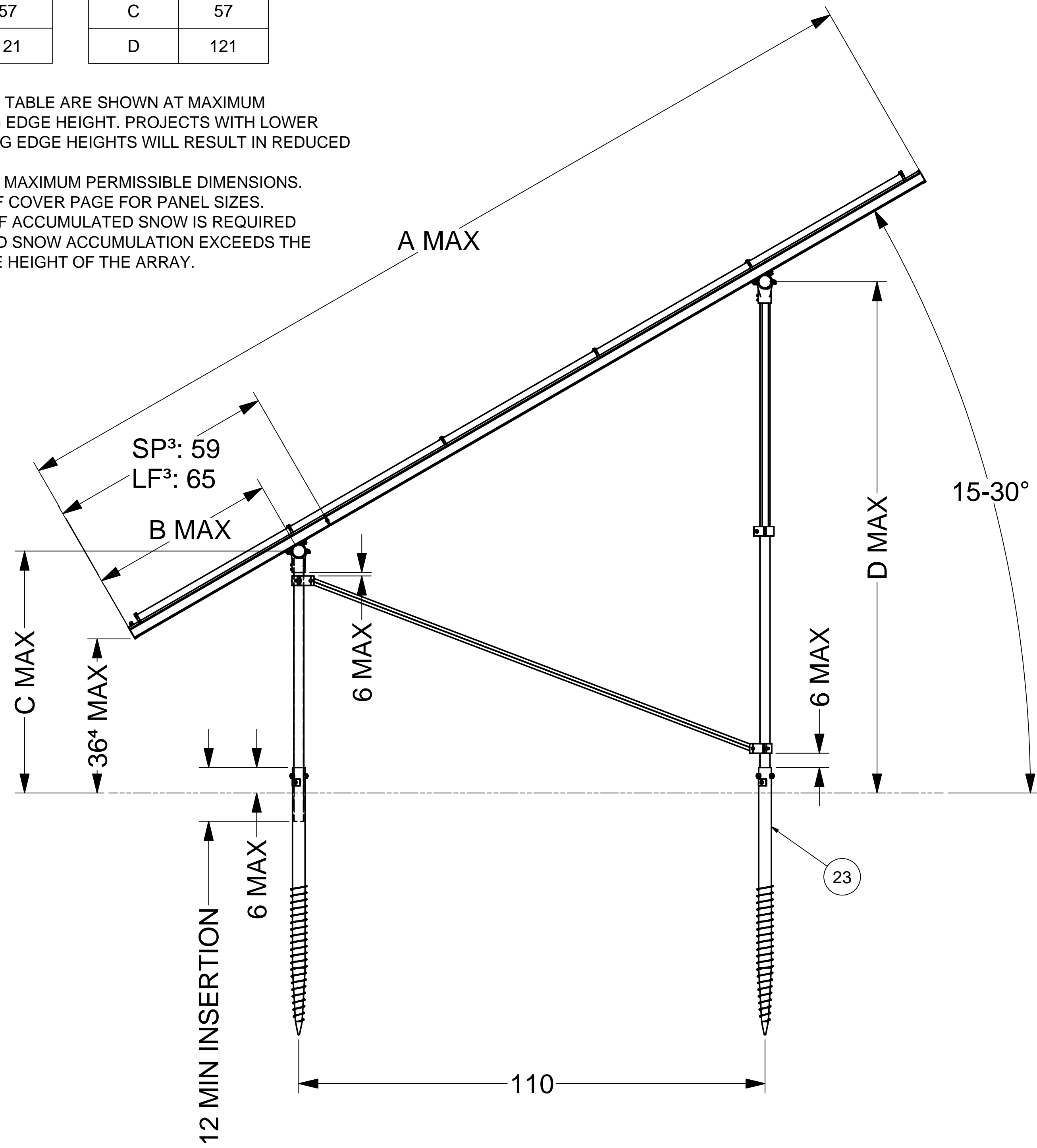
<b>SunModo Corp.</b>			
TITLE: PACKET B7			
DRAWING NUMBER: D			
SCALE: 1/30	SHEET 3 of 5	REV	

DIMENSIONS - SP	
ITEM	5L
A	212
B	49
C	57
D	121

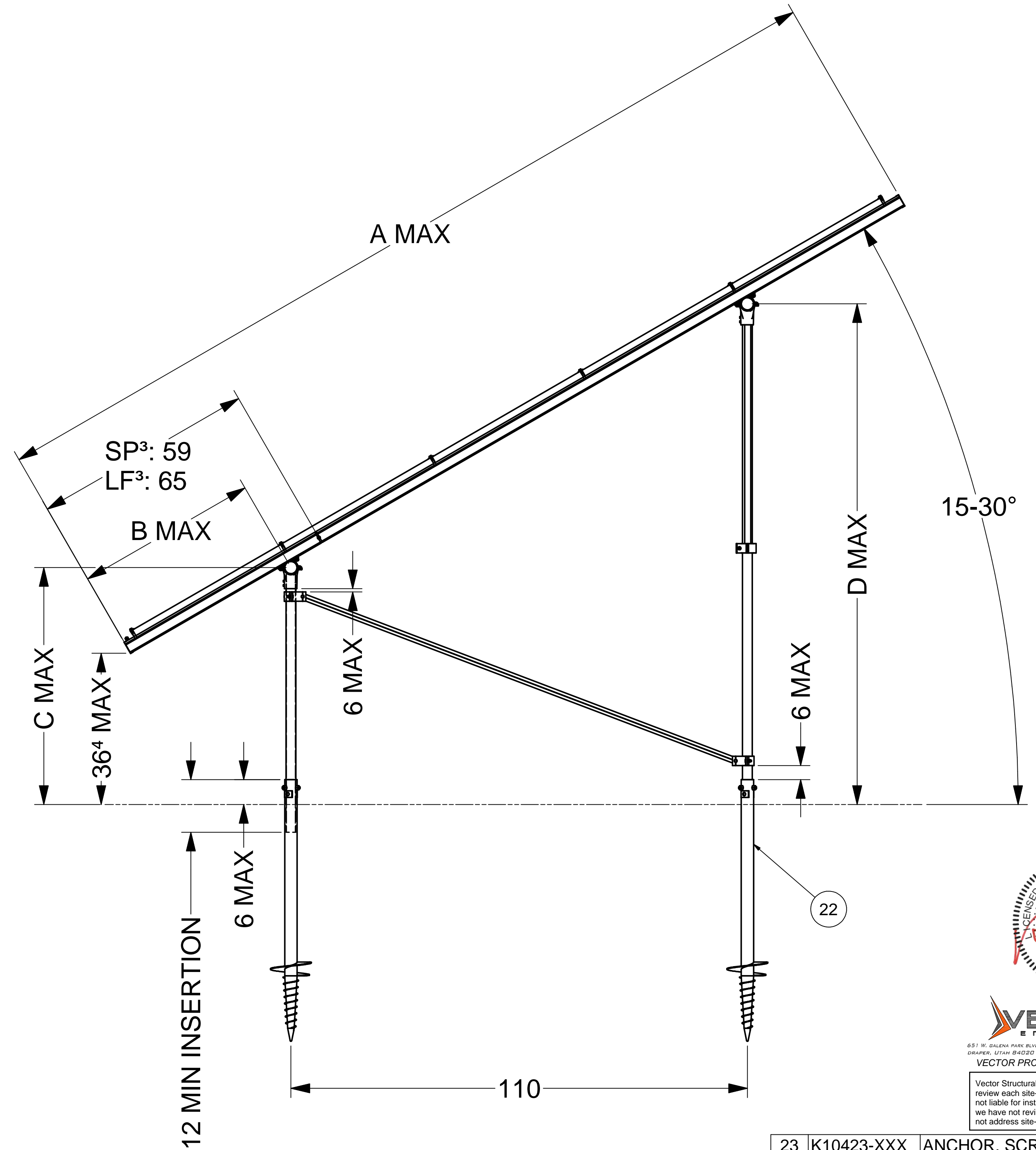
DIMENSIONS - LF	
ITEM	5L
A	214
B	50
C	57
D	121

**NOTES**

1. DIMENSIONS IN TABLE ARE SHOWN AT MAXIMUM TILT & LEADING EDGE HEIGHT. PROJECTS WITH LOWER TILTS & LEADING EDGE HEIGHTS WILL RESULT IN REDUCED DIMENSIONS.
2. MAX DENOTES MAXIMUM PERMISSIBLE DIMENSIONS.
3. SEE NOTE 7 OF COVER PAGE FOR PANEL SIZES.
4. CLEARANCE OF ACCUMULATED SNOW IS REQUIRED WHEN GROUND SNOW ACCUMULATION EXCEEDS THE LEADING EDGE HEIGHT OF THE ARRAY.



**GROUND SCREW GROUND MOUNT (GSM)**



**AUGER GROUND MOUNT (AGM)**

23	K10423-XXX	ANCHOR, SCREW AUGER KIT, L=XXX	
22	K10414-XXX	ANCHOR, 10" HELIX SCREW AUGER, L=XXX	
ITEM	PART NUMBER	DESCRIPTION	QTY



04/24/2024  
**VECTOR ENGINEERS**  
 651 W. GALENA PARK BLVD. STE. 101 PHONE: (563) 992-1775  
 DRAFTER: LYDIA BRIDGES WWW.VECTORENG.COM  
 VECTOR PROJECT #: UZ716.0366.231

Vector Structural Engineering requires that we review each site-specific install, and we are not liable for installs at site-specific locations we have not reviewed. This document does not address site-specific installations.

**SunModo Corp.**

TITLE: PACKET B7

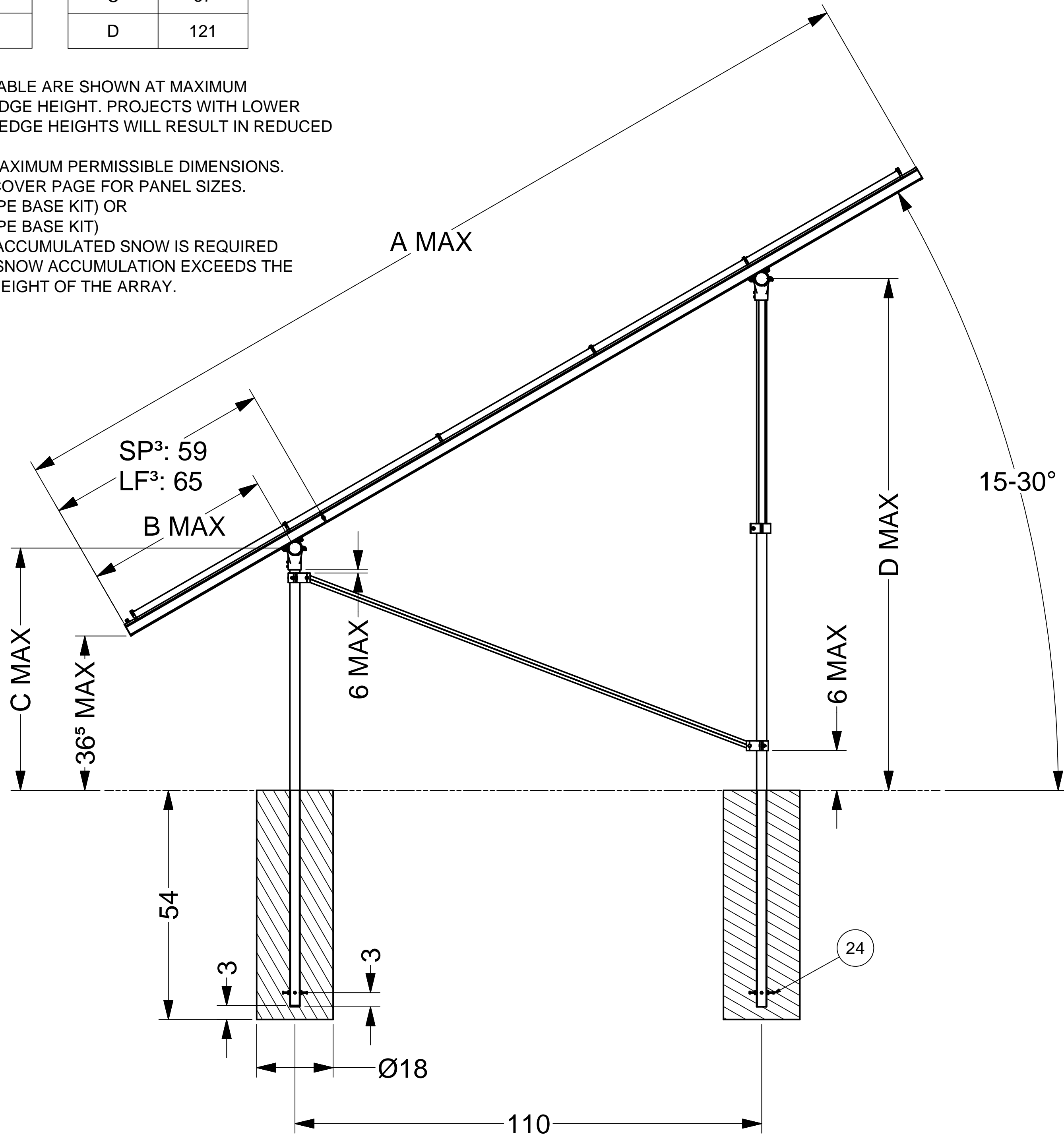
D: DRAWING NUMBER

SCALE: 1/18 SHEET 4 of 5 REV

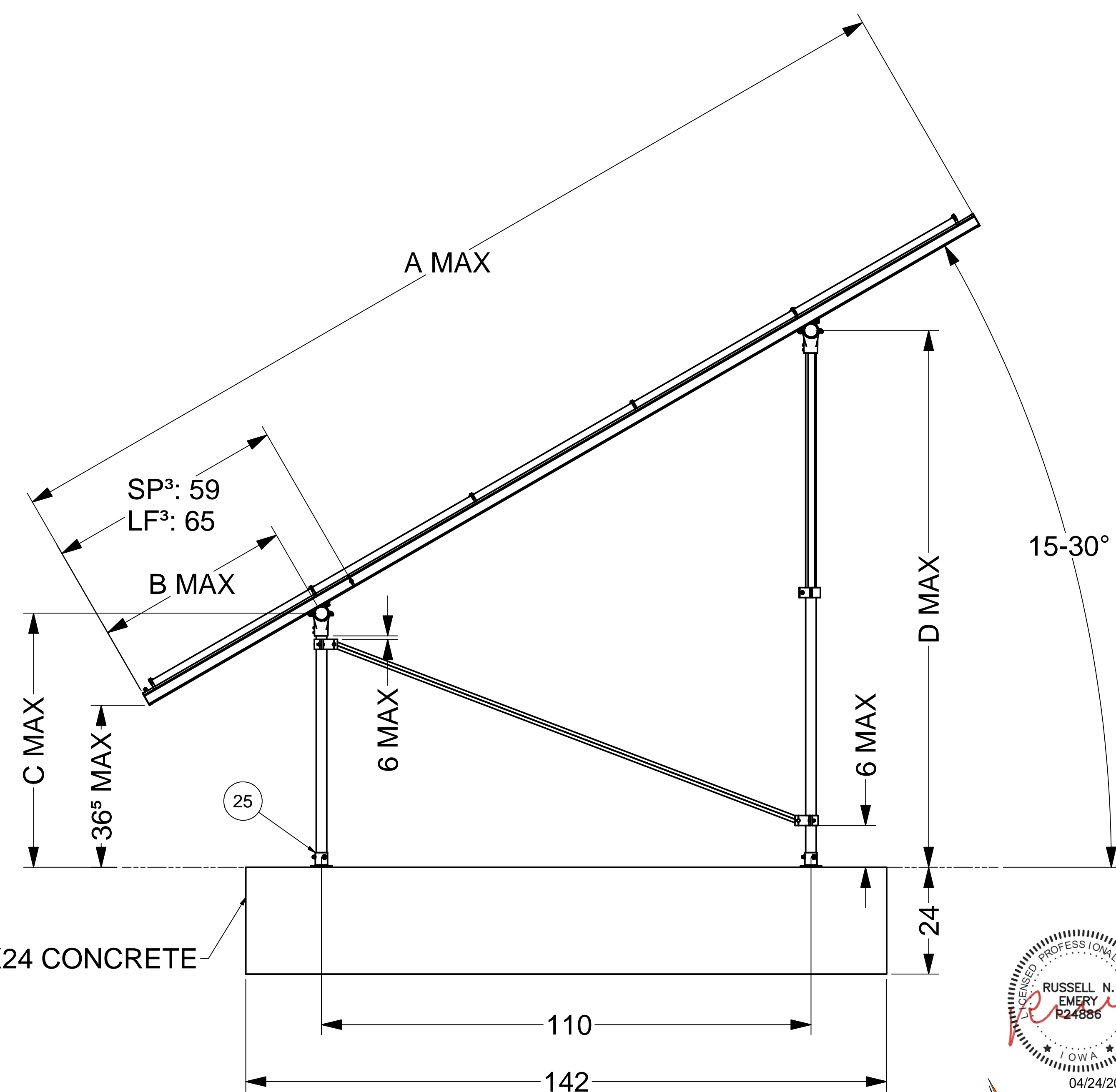
DIMENSIONS - SP		DIMENSIONS - LF	
ITEM	5L	ITEM	5L
A	212	A	214
B	49	B	50
C	57	C	57
D	121	D	121

**NOTES**

1. DIMENSIONS IN TABLE ARE SHOWN AT MAXIMUM TILT & LEADING EDGE HEIGHT. PROJECTS WITH LOWER TILTS & LEADING EDGE HEIGHTS WILL RESULT IN REDUCED DIMENSIONS.
2. MAX DENOTES MAXIMUM PERMISSIBLE DIMENSIONS.
3. SEE NOTE 7 OF COVER PAGE FOR PANEL SIZES.
4. K10268-005 (2" PIPE BASE KIT) OR K10302-001 (2" PIPE BASE KIT)
5. CLEARANCE OF ACCUMULATED SNOW IS REQUIRED WHEN GROUND SNOW ACCUMULATION EXCEEDS THE LEADING EDGE HEIGHT OF THE ARRAY.

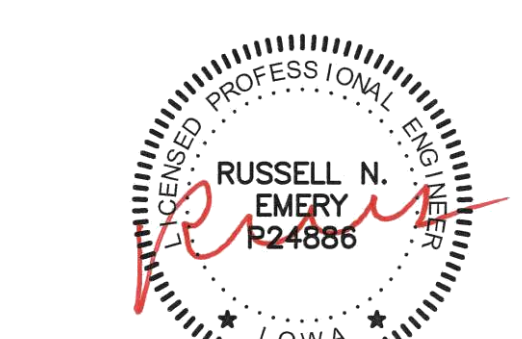


**POST-IN-CONCRETE GROUND MOUNT (PGM)**



**BALLAST GROUND MOUNT (BGM)**

24	K10186-001	EMBEDDED 2.0" PIPE CLAMP KIT	
25		POST BASE. VARIES PER NOTE 4	
ITEM	PART NUMBER	DESCRIPTION	QTY



04/24/2024  
**VECTOR ENGINEERS**  
 651 W. GALENA PARK BLVD. STE. 101 PHOENIX, AZ 85021  
 CHANDLER, UTAH 84602 WWW.VECTORENG.COM  
 VECTOR PROJECT #: U2716.0366.231

Vector Structural Engineering requires that we review each site-specific install, and we are not liable for installs at site-specific locations we have not reviewed. This document does not address site-specific installations.

<b>SunModo Corp.</b>	
TITLE PACKET B7	
DRAWING NUMBER	
SCALE: 1/18	SHEET 5 of 5 REV