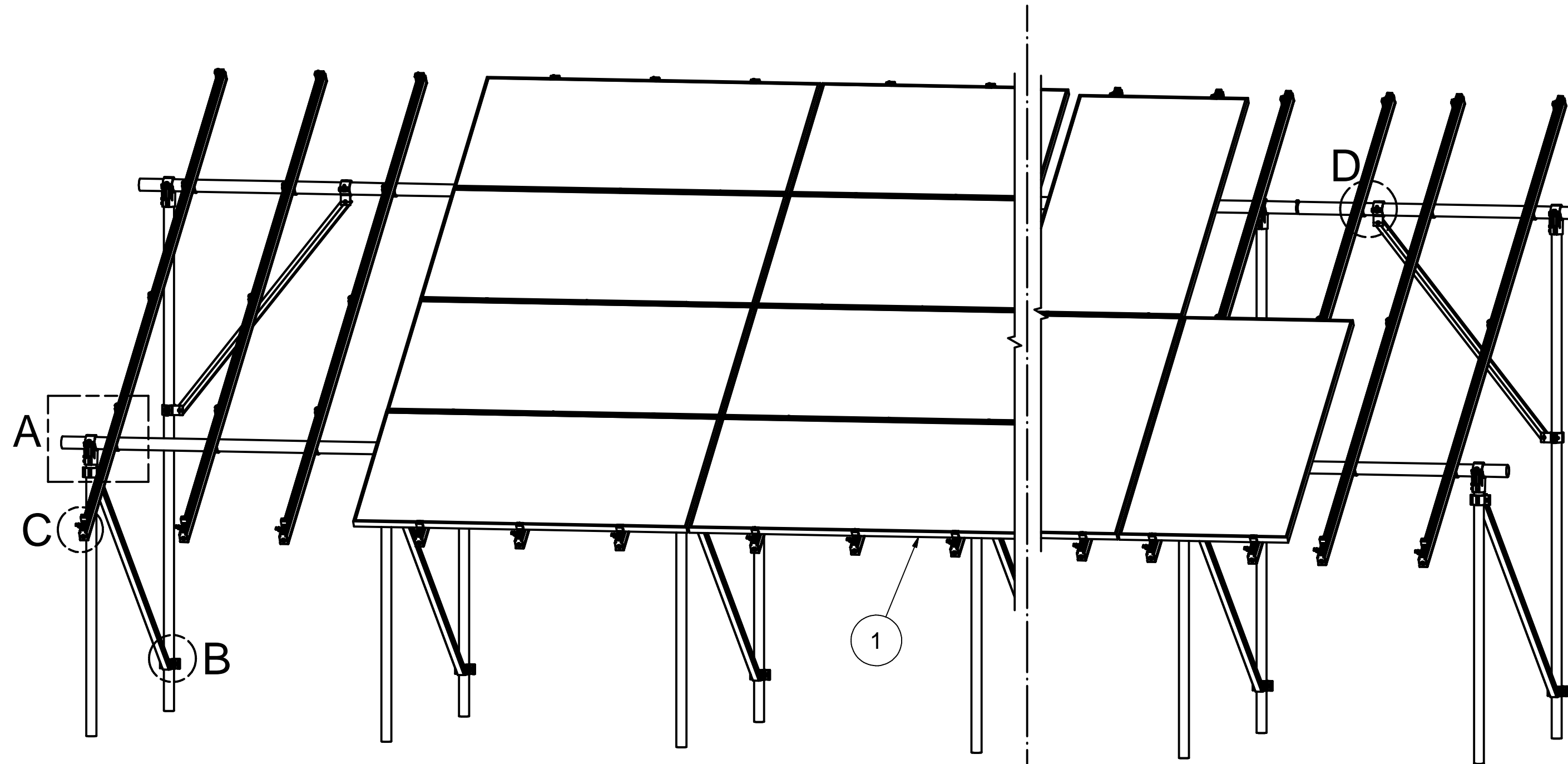


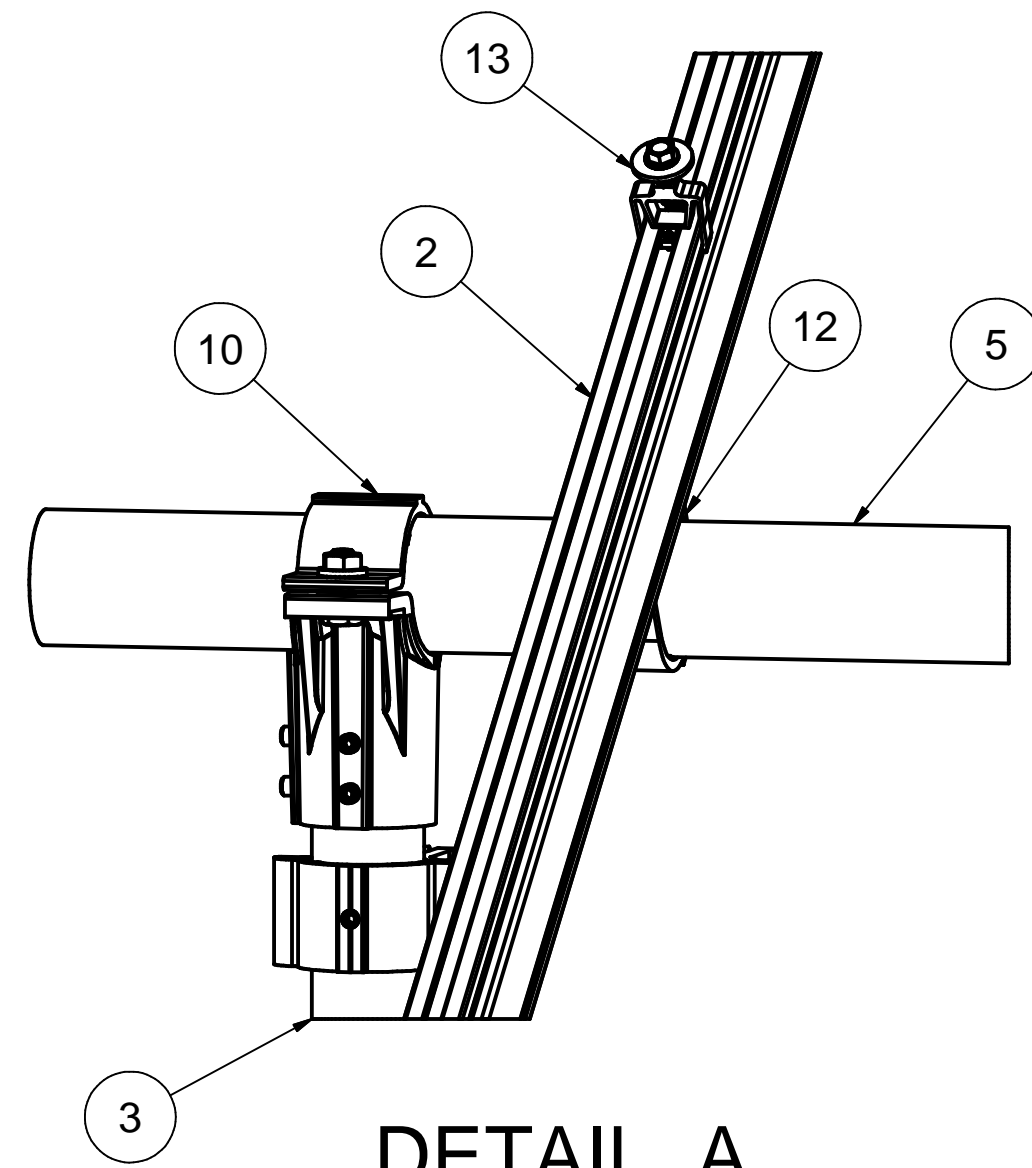
NOTES: UNLESS OTHERWISE SPECIFIED

- THIS DRAWING IS NOT FOR CONSTRUCTION UNTIL ENGINEERING HAS REVIEWED AND STAMPED THIS DOCUMENT.
- DIMENSIONS SHOWN ARE INCHES.
- THE SELF-BONDING SYSTEM AND SINGLE GROUND LUG IS FOR USE WITH PV MODULES THAT HAVE A MAXIMUM SERIES FUSE RATING OF 30A.
- MATERIALS ARE AS SPECIFIED OR EQUIVALENT:
HARDWARE: 304 STAINLESS STEEL
FABRICATED EXTRUDED PARTS: 6005-T5 ALUMINUM ALLOY
FABRICATED DIE CAST PARTS: ANSI/AA A380 ALUMINUM ALLOY
STEEL PIPE: SCHEDULE 40 GALVANIZED
ALUMINUM PIPE: SCHEDULE 10 ANODIZED
- THE MAXIMUM PERMISSIBLE LENGTH OF ANY STRUCTURE SHALL BE 200 FT. FOR SYSTEMS USING A SHARED RAIL CONFIGURATION, A THERMAL BREAK IS REQUIRED IN THE RAIL EVERY 40 FT. PER THE DRAWING DETAILS.
- 4LXN-2PXX-20DEG-GSM-AGM-BGM-PGM.
- PANEL DIMENSIONS ARE AS FOLLOWS:
STANDARD PANEL (SP): MAX AREA: 3444 in²
LARGE FORMAT (LF): MAX AREA: 3825 in²
PANEL FRAME HEIGHTS: 30mm TO 50mm.
- APPROVED RAIL PROFILES - STANDARD PANELS
A20288-XXX (HR300 RAIL), A20297-001 (END CAP), K10343-002 (U-CLAMP KIT);
A20145-XXX (HR350 RAIL), A20285-001 (END CAP), K10343-001 (U-CLAMP KIT);
A20444-XXX (SMR300 RAIL), C10059-BK1 (END CAP), K10343-005 (U-CLAMP KIT).
- APPROVED RAIL PROFILES - OVERSIZE PANELS
* A20288-XXX (HR300 RAIL), A20297-001 (END CAP), K10343-002 (U-CLAMP KIT);
* A20145-XXX (HR350 RAIL), A20285-001 (END CAP), K10343-001 (U-CLAMP KIT);
* A20444-XXX (SMR300 RAIL), C10059-BK1 (END CAP), K10343-005 (U-CLAMP KIT).
* FOR OVERSIZE PANELS, USE (3) RAILS PER PANEL COLUMN IN LIEU OF (2).
- K10224-XXX END CLAMP KIT OR K10299-XXX ADJ. END CLAMP KIT.
- FOUNDATION TYPES:
GSM = GROUND SCREW GROUND MOUNT
AGM = HELICAL AUGER GROUND MOUNT
PGM = POST-IN-CONCRETE GROUND MOUNT
BSM = BALLAST GROUND MOUNT

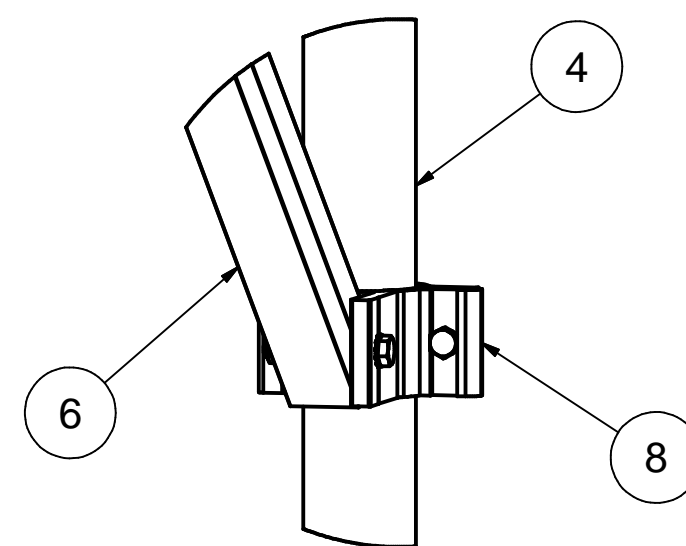


4L
4-IN-LANDSCAPE

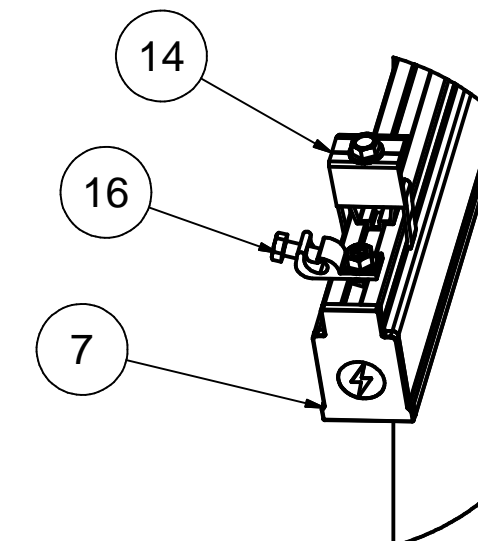
2P
2-IN-PROTRAIT



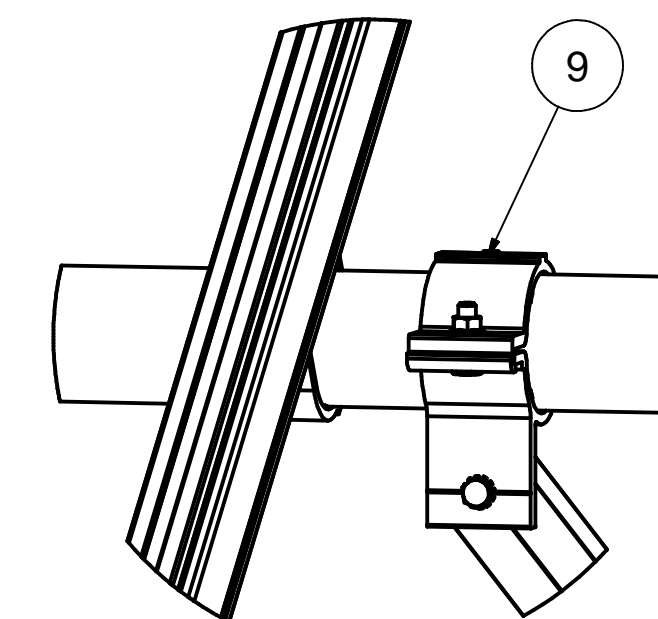
DETAIL A



DETAIL B

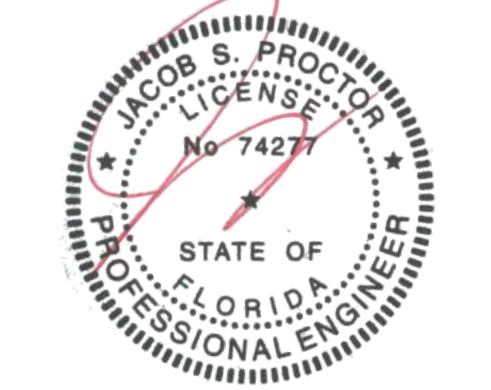


DETAIL C



DETAIL D

Packet D5	
Model Code	ASCE 7-22
Exposure Category	C and Lower
Wind Speed	170 mph and Lower
Ground Snow Load	0 PSF and Lower
Tilt	20 DEG and Lower



04/09/2024
Jacob S. Proctor
No. 74277
VSE Project Number: U2716.0387.241

Vector Structural Engineering requires that we review each site-specific install, and we are not liable for installs at site-specific locations we have not reviewed. This document does not address site-specific installations.

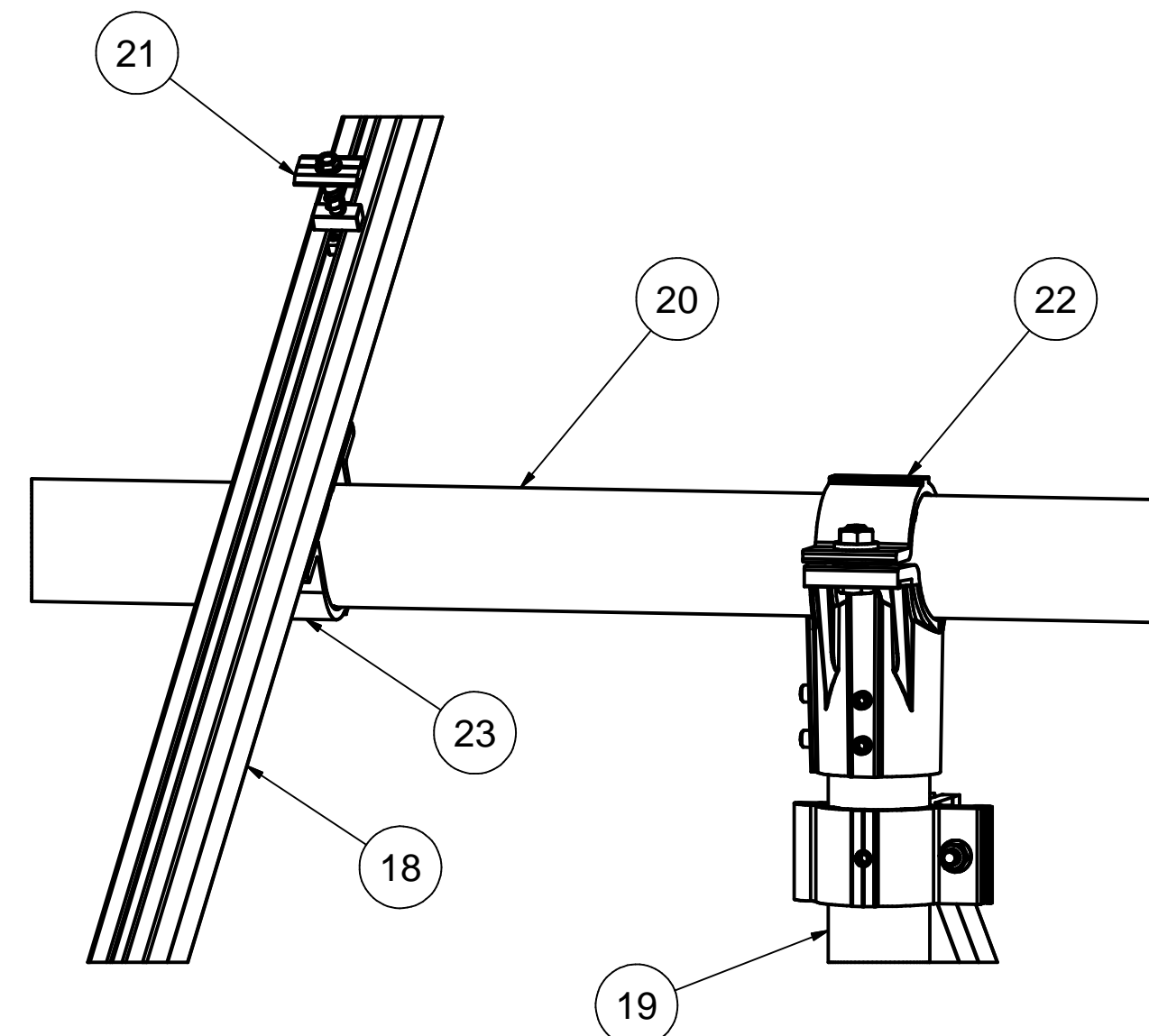
ITEM	PART NUMBER	DESCRIPTION	QTY
16	K10469-004	M8 HEX GROUND LUG KIT	
15	K10448-001	2.5" PIPE SPLICE KIT	
14	K10418-004	SMR POP-ON END CLAMP KIT,CLEAR	
13	K10417-004	MID CLAMP,SMR POP-ON,CLEAR	
12	K10343-005	2.5" AL PIPE U-CLAMP KIT	
11	K10342-001	2.5" PIPE SPLICE KIT	
10	K10341-002	2.5" PIPE TEE KIT	
9	K10222-001	2.5" PIPE CLAMP KIT	
8	K10219-001	2" AL PIPE CLAMP KIT	
7	C10059-BK1	SMR300 EPDM RAIL END CAP	
6	A50164-XXX	1.5" SQ. STL TUBE BRACE, L=XXX	
5	A21168-XXX	PIPE, HSS, 2.875" OD X 12 GAUGE,L=XXX	
4	A21165-XXX (REAR)	PIPE, HSS, 2.375" OD X 12 GAUGE,L=XXX	
3	A21165-XXX (FRONT)	PIPE, HSS, 2.375" OD X 12 GAUGE,L=XXX	
2	A20444-XXX	SMR300 RAIL, L=XXX	
1		PANEL	

MATERIAL: SEE BOM		SunModo Corp. 14800 NE 65TH STREET, VANCOUVER WA 98682	
Third Angle Projection:			
GENERAL SPECIFICATIONS All Dimensions in inches (millimeters) Tolerances Holes: ±0.010 (±0.254) X.XX: ±0.005 (±0.127) X.XXX: ±0.002 (±0.051) Finish: otherwise specified		TITLE: PACKET D5 DRAWN BY: LU DATE: 04/07/2024 CHECKED BY: D DRAWING NUMBER:	
APPROVALS:		SCALE:	SHEET 1 of 5

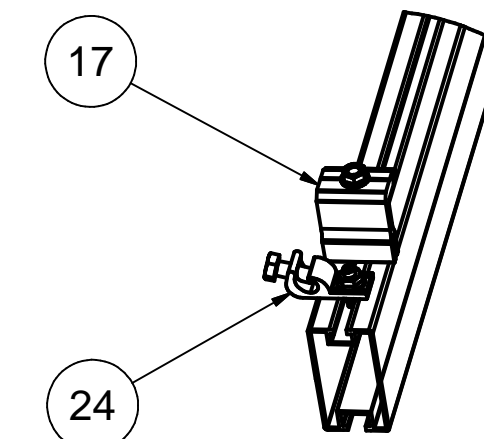
NOTES: UNLESS OTHERWISE SPECIFIED

1. APPROVED RAIL PROFILES - STANDARD PANELS
A20288-XXX (HR300 RAIL), A20297-001 (END CAP),
K10343-002 (U-CLAMP KIT);
A20145-XXX (HR350 RAIL), A20285-001 (END CAP),
K10343-001 (U-CLAMP KIT).
2. APPROVED RAIL PROFILES - LARGE FORMAT PANELS
* A20288-XXX (HR300 RAIL), A20297-001 (END CAP),
K10343-002 (U-CLAMP KIT);
* A20145-XXX (HR350 RAIL), A20285-001 (END CAP),
K10343-001 (U-CLAMP KIT).
3. K10224-XXX END CLAMP KIT OR K10299-XXX ADJ.
END CLAMP KIT.

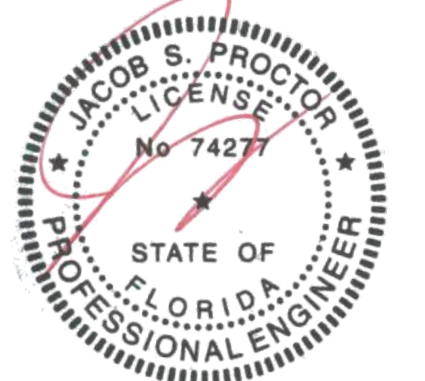
**ALTERNATE(ALT) DETAILS
HR300, HR350 RAIL PROFILES**



DETAIL A-ALT



DETAIL C-ALT



04/09/2024
Jacob S. Proctor
No. 74277

VSE Project Number: U2716.0387.241

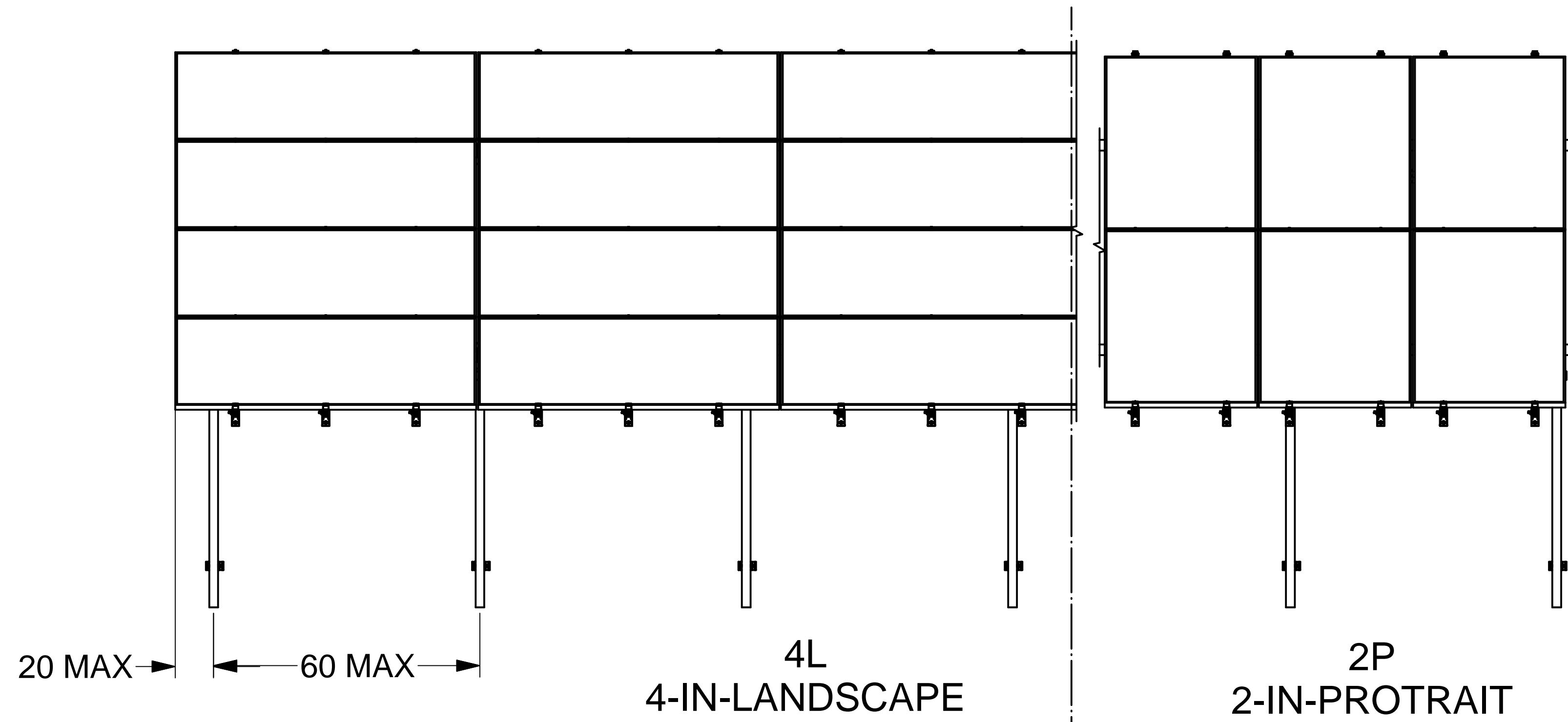
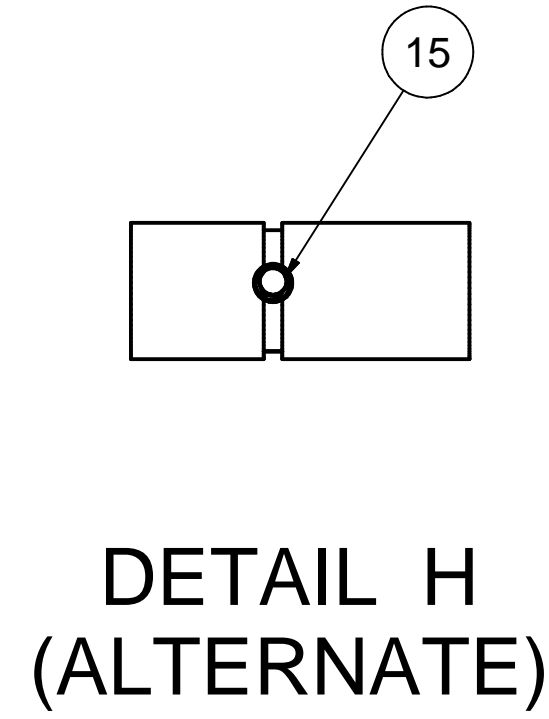
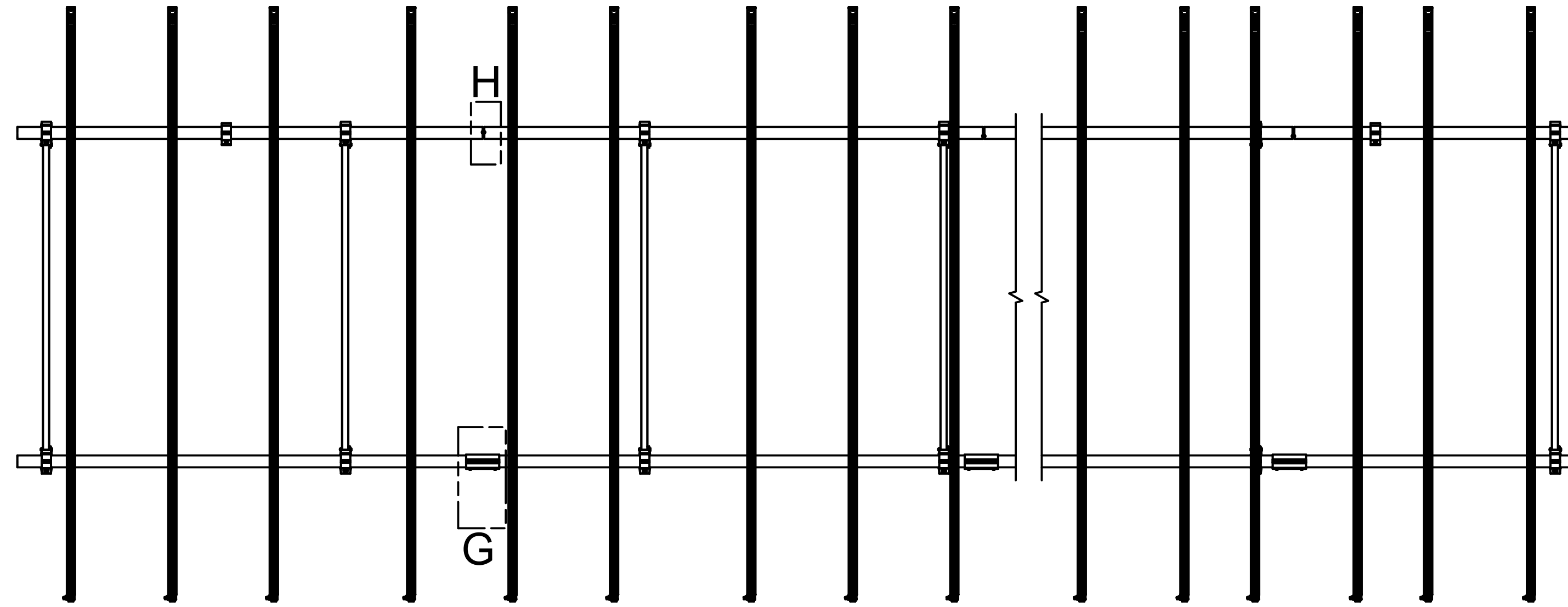
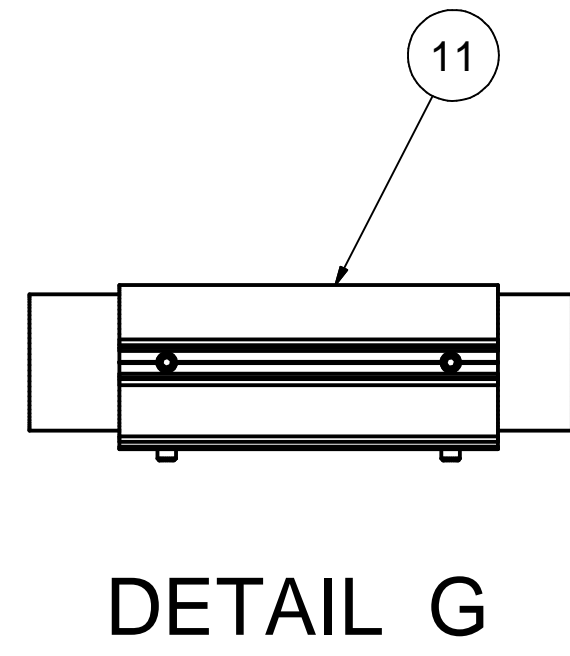
Vector Structural Engineering requires that we review each site-specific install, and we are not liable for installs at site-specific locations we have not reviewed. This document does not address site-specific installations.

ITEM	PART NUMBER	DESCRIPTION	QTY
24	K10469-003	HR GROUNDING LUG KIT	
23	K10343-XXX	2.5" AL PIPE U-CLAMP KIT	
22	K10341-002	2.5" PIPE TEE KIT	
21	K10180-001	GROUNDING MID-CLAMP KIT WITH T COLLAR BOLT AND GROUNDING BASE	
20	A21168-XXX	PIPE, HSS, 2.875" OD X 12 GAUGE, L=XXX	
19	A21165-XXX	PIPE, HSS, 2.375" OD X 12 GAUGE, L=XXX	
18		HELIO RAIL. VARIES PER NOTE 1 & 2	
17		END CLAMP KIT. VARIES PER NOTE 3	

SunModo Corp.

TITLE		PACKET D5	
DRAWING NUMBER		D	
SCALE:	SHEET	2 of 5	REV

NOTES:
 1. DIMENSIONS LABELED AS MAX ARE MAXIMUM ALLOWABLE AND MAY RESULT IN END POSTS BEING OUTSIDE ARRAY EDGES. MAXIMUM DIMENSIONS MAY BE REDUCED IF DESIRED.
 2. SEE NOTE 7 OF COVER PAGE FOR PANEL SIZES.



VECTOR ENGINEERS
 631 W. SALINA PARK BLVD. STE. 101 PHONE (801) 950-1775
 DRAPER, UTAH 84020 WWW.VECTORBE.COM

JACOB S. PROCTOR
 LICENSE
 No. 74271
 STATE OF
 FLORIDA
 PROFESSIONAL ENGINEER

04/09/2024
 Jacob S. Proctor
 No. 74277
 VSE Project Number: U2716.0387.241

Vector Structural Engineering requires that we review each site-specific install, and we are not liable for installs at site-specific locations we have not reviewed. This document does not address site-specific installations.

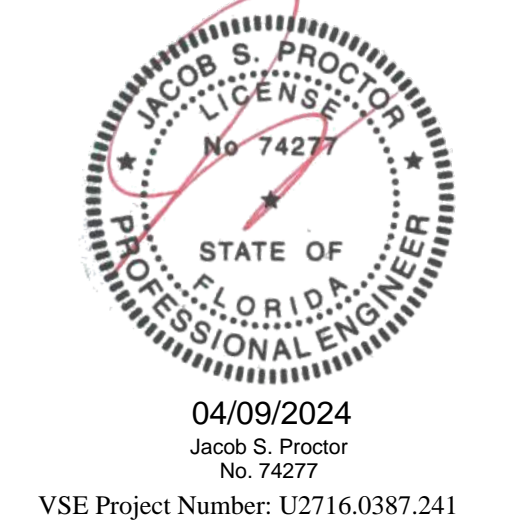
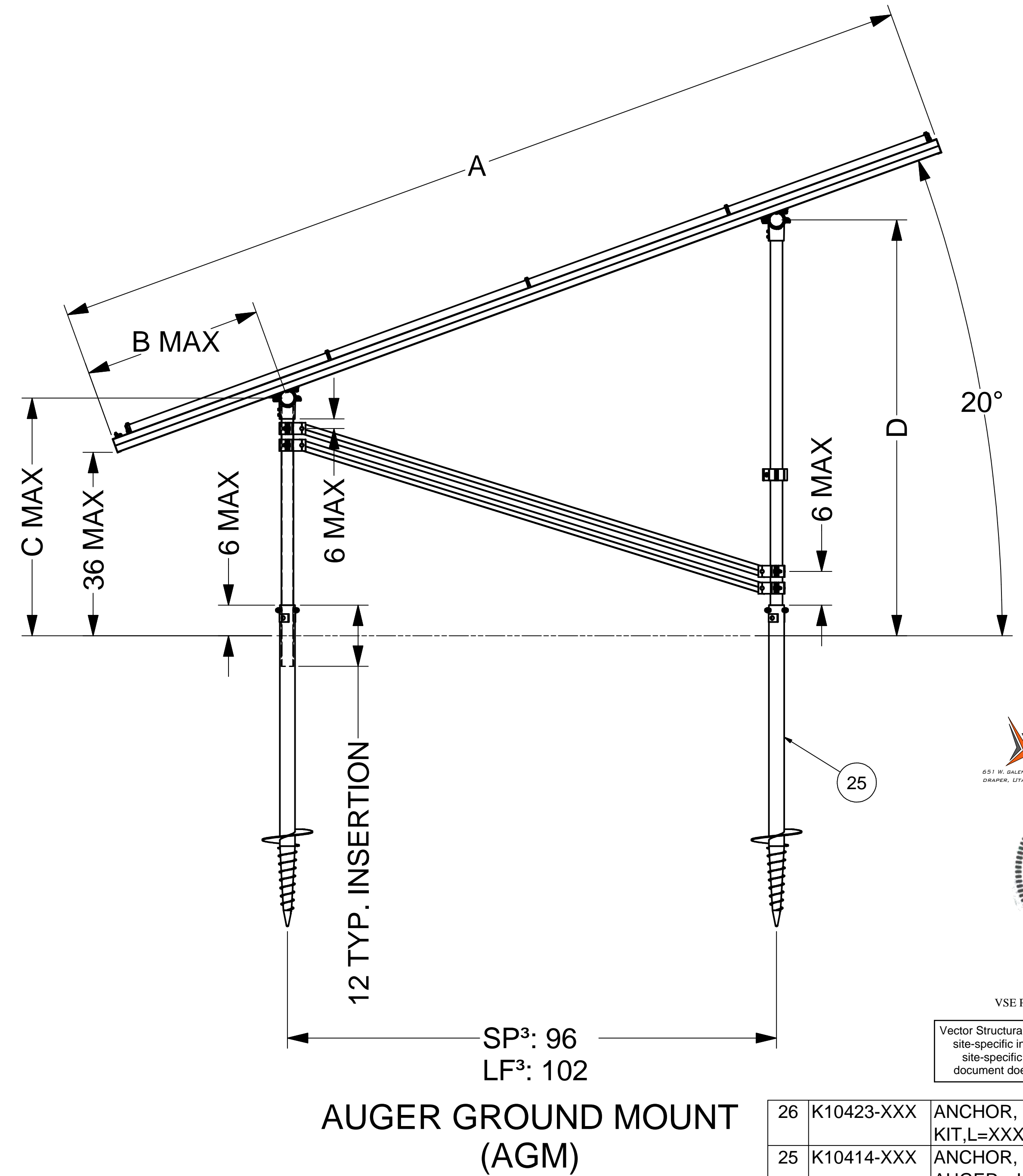
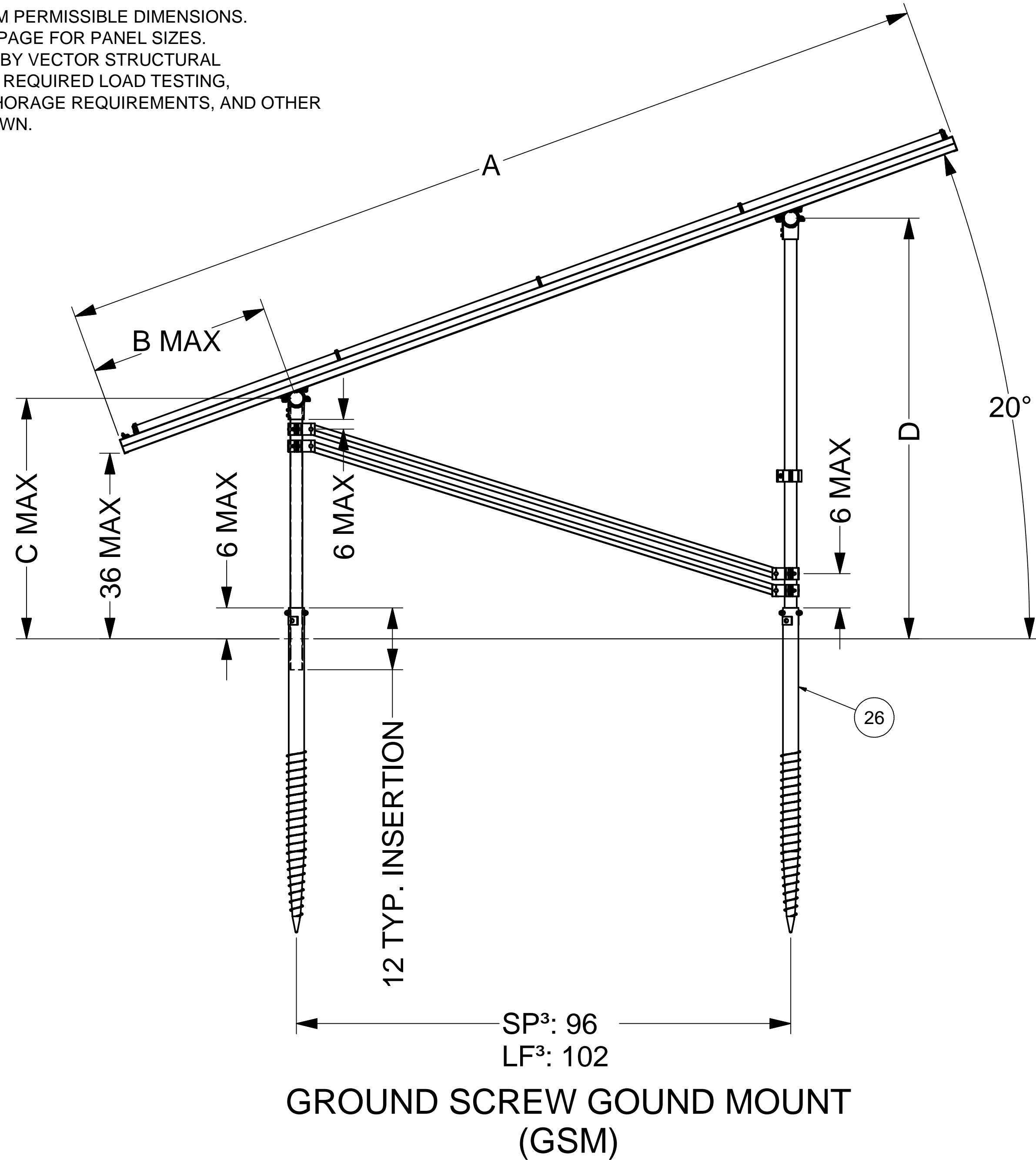
SunModo Corp.	
TITLE	PACKET D5
D	DRAWING NUMBER
SCALE:	SHEET 3 of 5 REV

DIMENSIONS - STANDARD PANELS		
ITEM	4L	2P
A	168	166
B	33	32
C	46	47
D	81	80

DIMENSIONS - LARGE FORMAT PANELS		
ITEM	4L	2P
A	172	172
B	36	36
C	47	47
D	83	83

NOTES

1. DIMENSIONS IN TABLE ARE SHOWN AT MAXIMUM TILT & LEADING EDGE HEIGHT. PROJECTS WITH LOWER TILTS & LEADING EDGE HEIGHTS WILL RESULT IN REDUCED DIMENSIONS.
2. MAX DENOTES MAXIMUM PERMISSIBLE DIMENSIONS.
3. SEE NOTE 7 OF COVER PAGE FOR PANEL SIZES.
4. SEE LETTER PROVIDED BY VECTOR STRUCTURAL ENGINEERING, LLC FOR REQUIRED LOAD TESTING, FOUNDATION AND ANCHORAGE REQUIREMENTS, AND OTHER INFORMATION NOT SHOWN.



Vector Structural Engineering requires that we review each site-specific install, and we are not liable for installs at site-specific locations we have not reviewed. This document does not address site-specific installations.

26	K10423-XXX	ANCHOR, SCREW AUGER KIT, L=XXX	
25	K10414-XXX	ANCHOR, 10" HELIX SCREW AUGER, L=XXX	
ITEM	PART NUMBER	DESCRIPTION	QTY

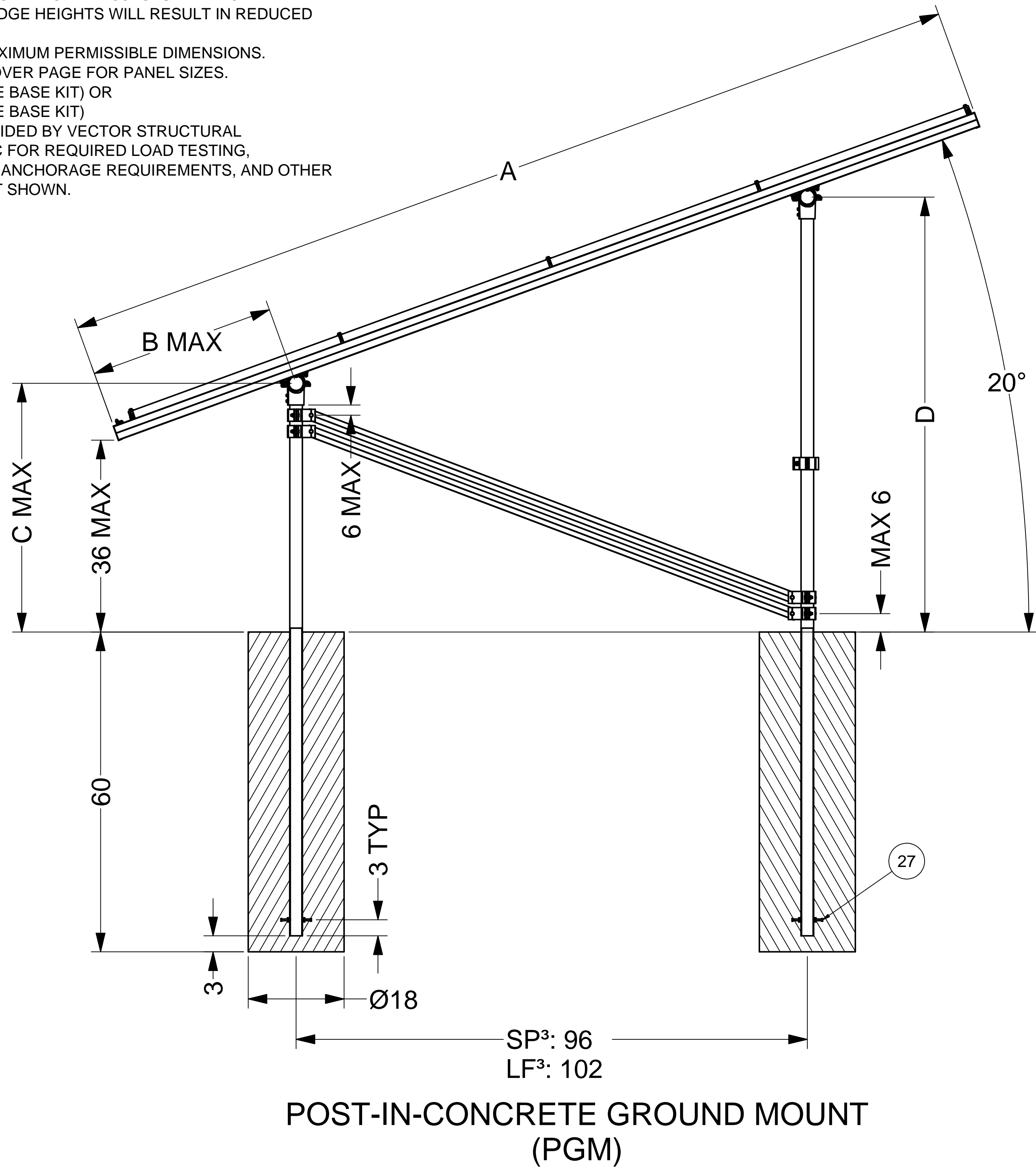
SunModo Corp.	
TITLE	PACKET D5
D	DRAWING NUMBER
SCALE:	SHEET 4 of 5 REV

DIMENSIONS - STANDARD PANELS		
ITEM	4L	2P
A	168	166
B	33	32
C	46	47
D	81	80

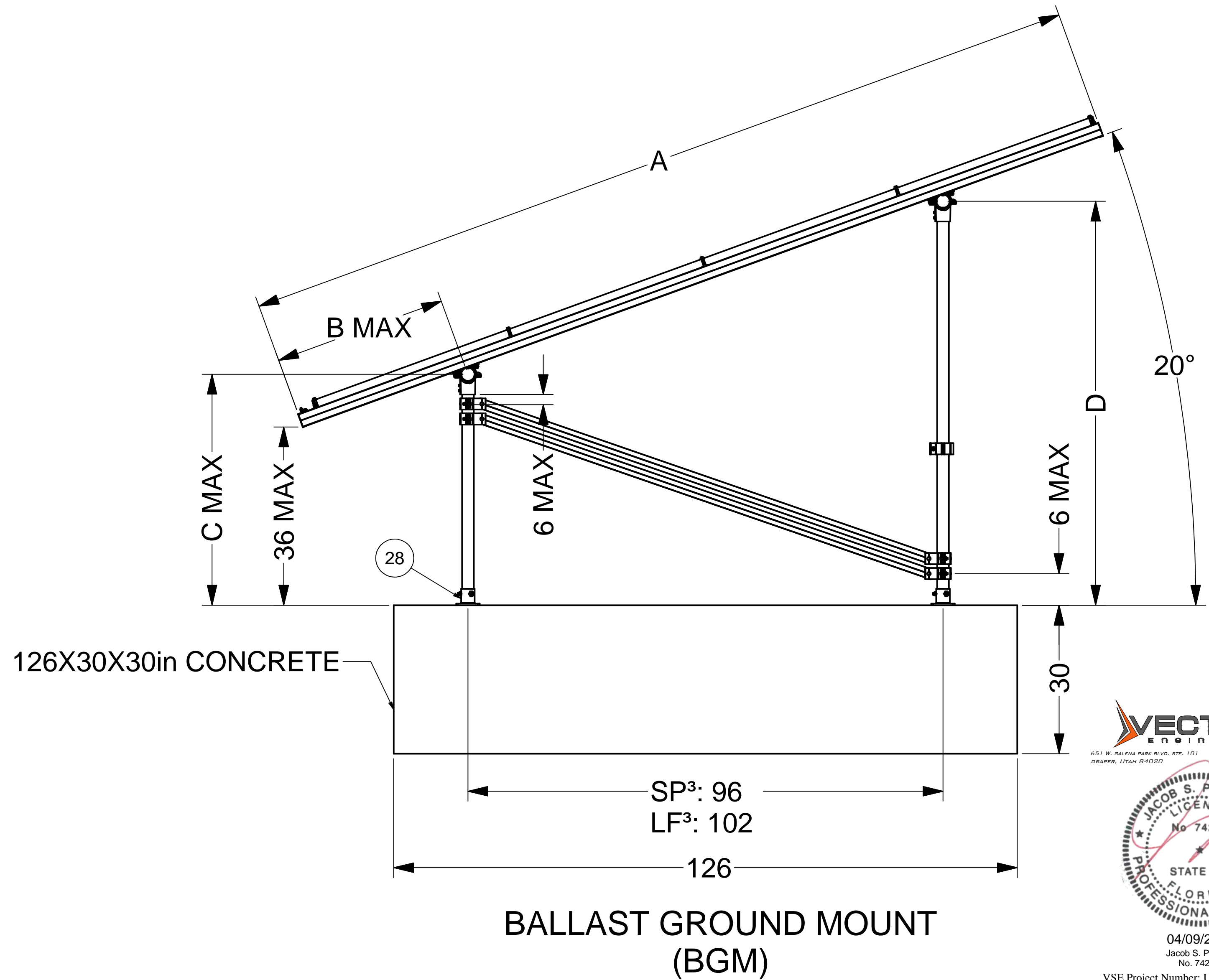
DIMENSIONS - LARGE FORMAT PANELS		
ITEM	4L	2P
A	172	172
B	36	36
C	47	47
D	83	83

NOTES

1. DIMENSIONS IN TABLE ARE SHOWN AT MAXIMUM TILT & LEADING EDGE HEIGHT. PROJECTS WITH LOWER TILTS & LEADING EDGE HEIGHTS WILL RESULT IN REDUCED DIMENSIONS.
2. MAX DENOTES MAXIMUM PERMISSIBLE DIMENSIONS.
3. SEE NOTE 7 OF COVER PAGE FOR PANEL SIZES.
4. K10268-005 (2" PIPE BASE KIT) OR K10302-001 (2" PIPE BASE KIT)
5. SEE LETTER PROVIDED BY VECTOR STRUCTURAL ENGINEERING, LLC FOR REQUIRED LOAD TESTING, FOUNDATION AND ANCHORAGE REQUIREMENTS, AND OTHER INFORMATION NOT SHOWN.



POST-IN-CONCRETE GROUND MOUNT (PGM)



BALLAST GROUND MOUNT (BGM)

ITEM	PART NUMBER	DESCRIPTION	QTY
28		POST BASE. VARIES PER NOTE 4	
27	K10186-001	EMBEDDED 2.0" PIPE CLAMP KIT	

VECTOR ENGINEERS
 651 W. GALENA PARK BLVD. STE. 101 PHONE (801) 990-1775
 DRAPER, UTAH 84020 WWW.VECTORSE.COM

JACOB S. PROCTOR
 LICENSE
 No. 74277
 STATE OF FLORIDA
 PROFESSIONAL ENGINEER

04/09/2024
 Jacob S. Proctor
 No. 74277
 VSE Project Number: U2716.0387.241

Vector Structural Engineering requires that we review each site-specific install, and we are not liable for installs at site-specific locations we have not reviewed. This document does not address site-specific installations.

SunModo Corp.	
TITLE	PACKET D5
D	DRAWING NUMBER
SCALE:	SHEET 5 of 5 REV