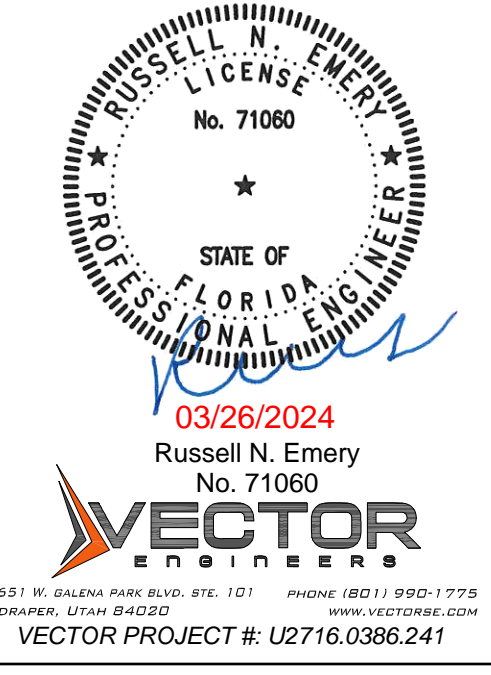
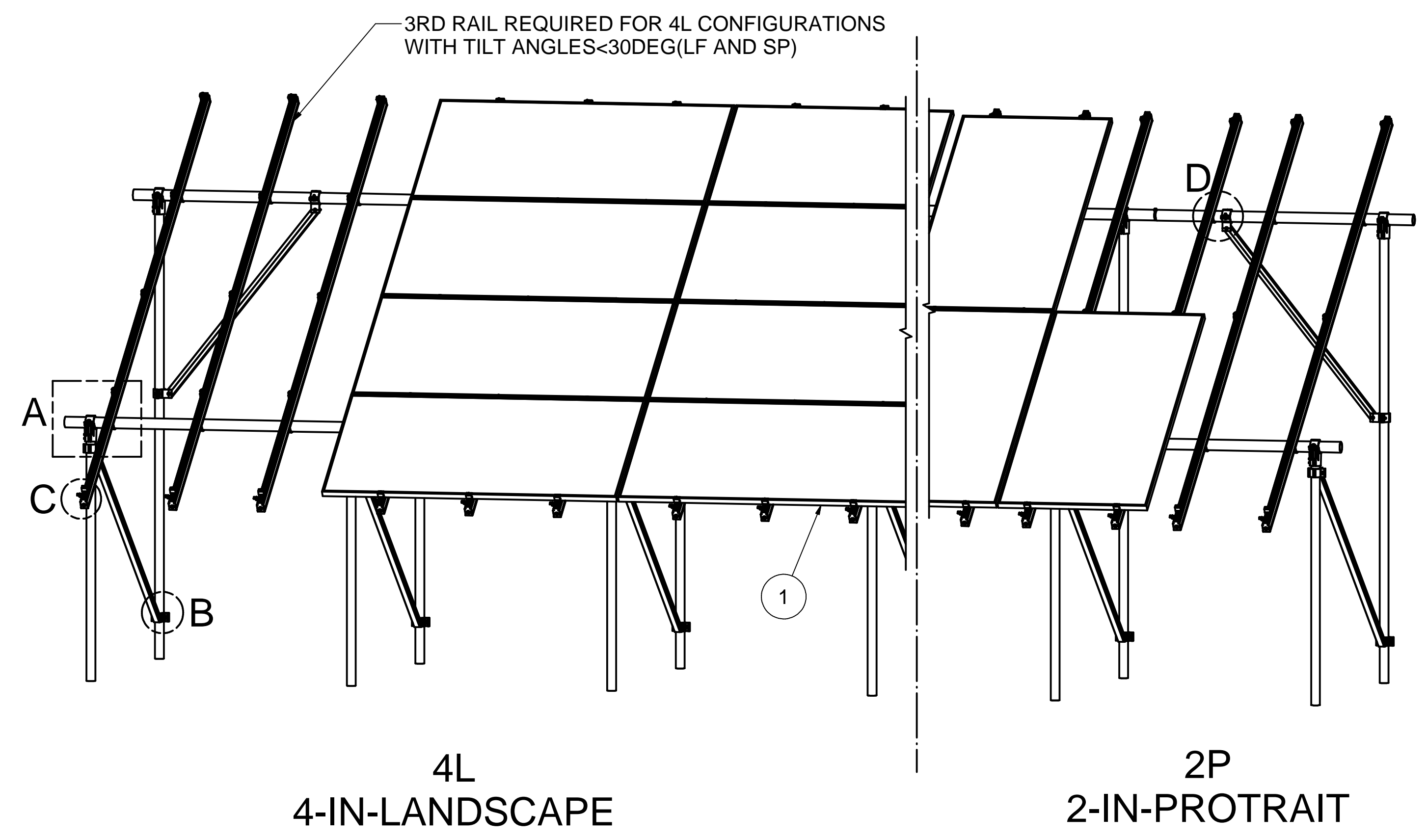
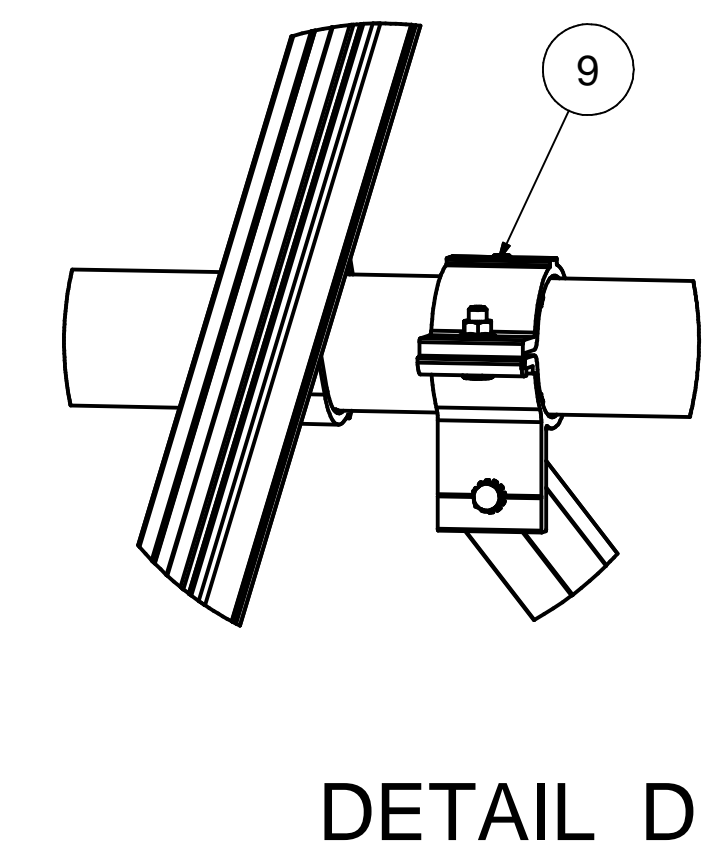
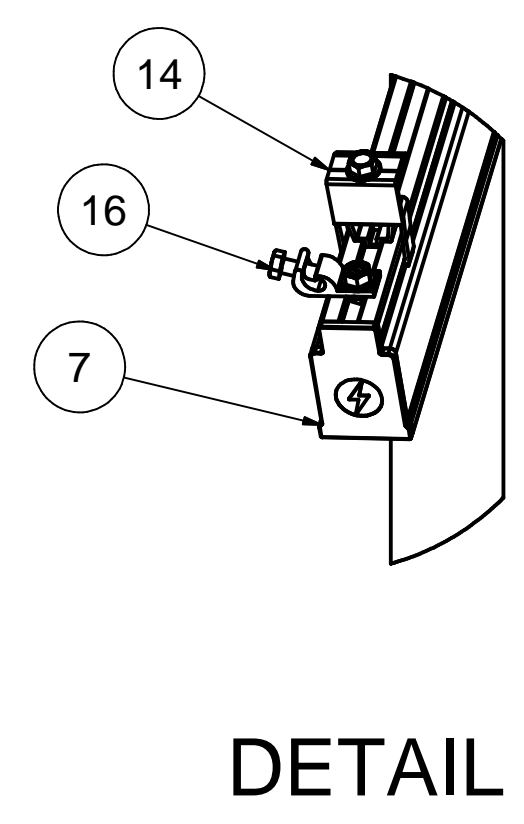
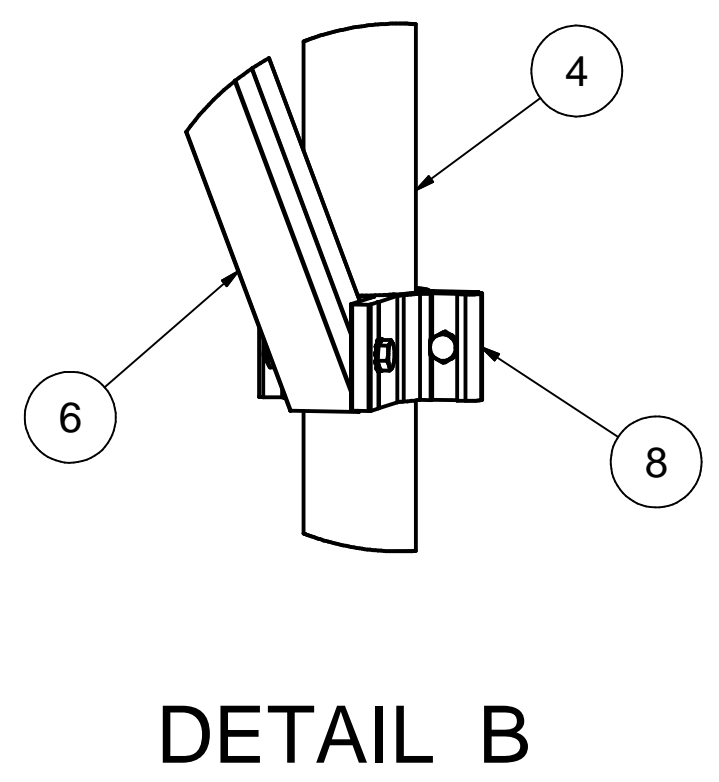
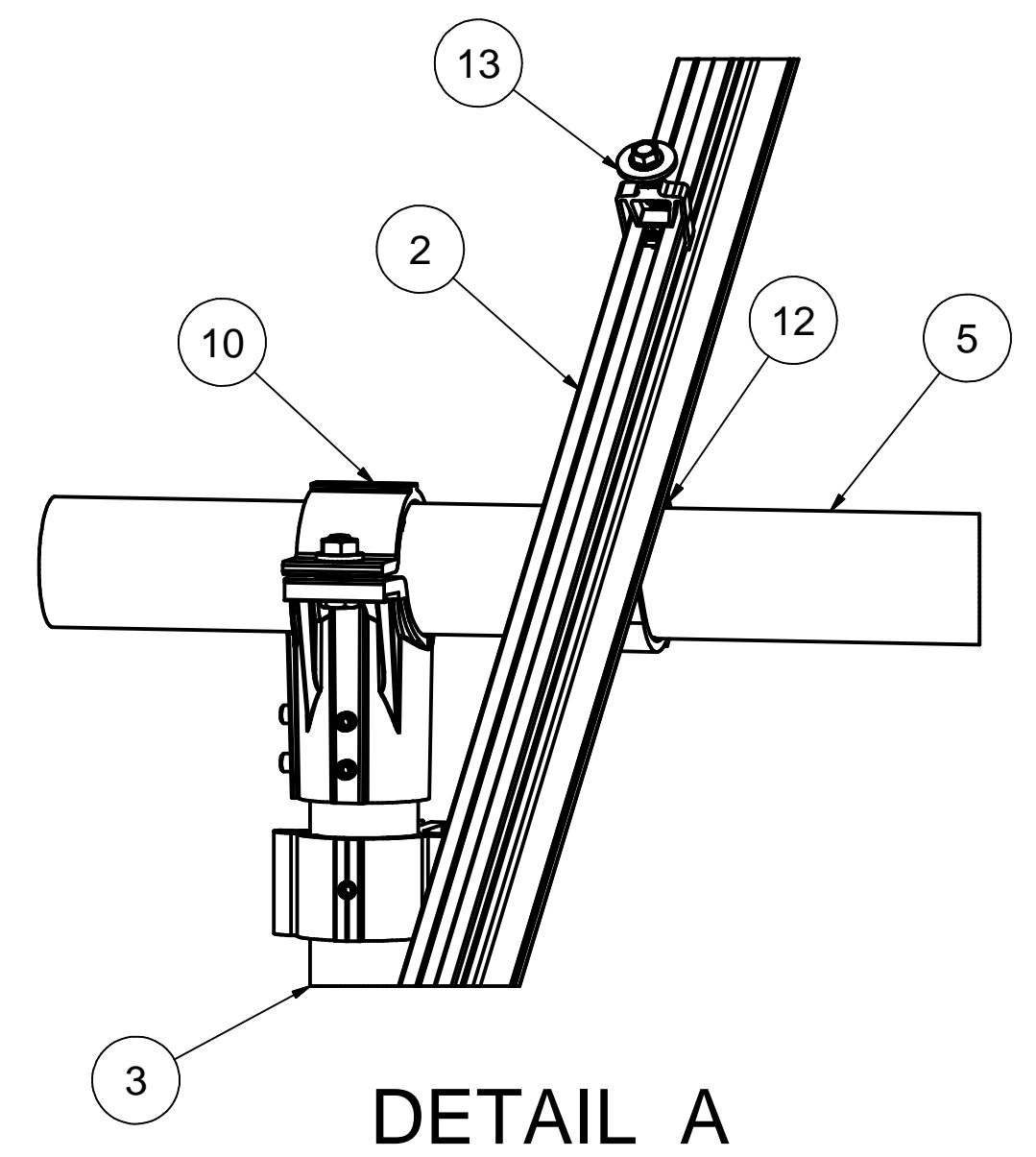


<b>Model Code</b>	<b>ASCE 7-22</b>
Exposure Category	C and Lower
Wind Speed	140 mph and Lower
Ground Snow Load	70 PSF and Lower
Tilt	20-35 DEG

- NOTES: UNLESS OTHERWISE SPECIFIED**
- THIS DRAWING IS NOT FOR CONSTRUCTION UNTIL ENGINEERING HAS REVIEWED AND STAMPED THIS DOCUMENT.
  - DIMENSIONS SHOWN ARE INCHES.
  - THE SELF-BONDING SYSTEM AND SINGLE GROUND LUG IS FOR USE WITH PV MODULES THAT HAVE A MAXIMUM SERIES FUSE RATING OF 30A.
  - MATERIALS ARE AS SPECIFIED OR EQUIVALENT:  
HARDWARE: 304 STAINLESS STEEL  
FABRICATED EXTRUDED PARTS: 6005-T5 ALUMINUM ALLOY  
FABRICATED DIE CAST PARTS: ANSI/AA A380 ALUMINUM ALLOY  
STEEL PIPE: SCHEDULE 40 GALVANIZED  
ALUMINUM PIPE: SCHEDULE 10 ANODIZED
  - THE MAXIMUM PERMISSIBLE LENGTH OF ANY STRUCTURE SHALL BE 200 FT. FOR SYSTEMS USING A SHARED RAIL CONFIGURATION, A THERMAL BREAK IS REQUIRED IN THE RAIL EVERY 40 FT. PER THE DRAWING DETAILS.
  - SUNTURF SYSTEM CONFIGURATIONS:  
PANEL ARRANGEMENT: 4LXN, OR 2PXN.  
TILT ANGLE: 20-35°  
FOUNDATION TYPE: GSM, AGM, BGM, OR PGM.
  - PANEL DIMENSIONS ARE AS FOLLOWS:  
STANDARD PANEL (SP): MAX AREA: 3444 in<sup>2</sup>  
LARGE FORMAT (LF): MAX AREA: 3825 in<sup>2</sup>  
PANEL FRAME HEIGHTS: 30mm TO 50mm.
  - FOUNDATION TYPES:  
GSM = GROUND SCREW GROUND MOUNT  
AGM = HELICAL AUGER GROUND MOUNT  
PGM = POST-IN-CONCRETE GROUND MOUNT  
BSM = BALLAST GROUND MOUNT
  - SEE LETTER PROVIDED BY VECTOR STRUCTURAL ENGINEERING, LLC FOR FOUNDATION DESIGN AND LOAD TESTING REQUIREMENTS.



Vector Structural Engineering requires that we review each site-specific install, and we are not liable for installs at site-specific locations we have not reviewed. This document does not address site-specific installations.



ITEM	PART NUMBER	DESCRIPTION	QTY
16	K10469-004	M8 HEX GROUND LUG KIT	
15	K10448-001	2.5" PIPE SPLICE KIT	
14	K10418-004	SMR POP-ON END CLAMP KIT,CLEAR	
13	K10417-004	MID CLAMP,SMR POP-ON,CLEAR	
12	K10343-005	2.5" AL PIPE U-CLAMP KIT	
11	K10342-001	2.5" PIPE SPLICE KIT	
10	K10341-002	2.5" PIPE TEE KIT	
9	K10222-001	2.5" PIPE CLAMP KIT	
8	K10219-001	2" AL PIPE CLAMP KIT	
7	C10059-BK1	SMR300 EPDM RAIL END CAP	
6	A50164-XXX	1.5" SQ. STL TUBE BRACE, L=XXX	
5	A21168-XXX	PIPE, HSS, 2.875" OD X 12 GAUGE, L=XXX	
4	A21165-XXX (REAR)	PIPE, HSS, 2.375" OD X 12 GAUGE, L=XXX	
3	A21165-XXX (FRONT)	PIPE, HSS, 2.375" OD X 12 GAUGE, L=XXX	
2	A20444-XXX	SMR300 RAIL, L=XXX	
1		PANEL	

**SunModo Corp.**  
14800 NE 65TH STREET, VANCOUVER WA 98682

TITLE: PACKET A17

DRAWN BY: LU DATE: 03/26/2024

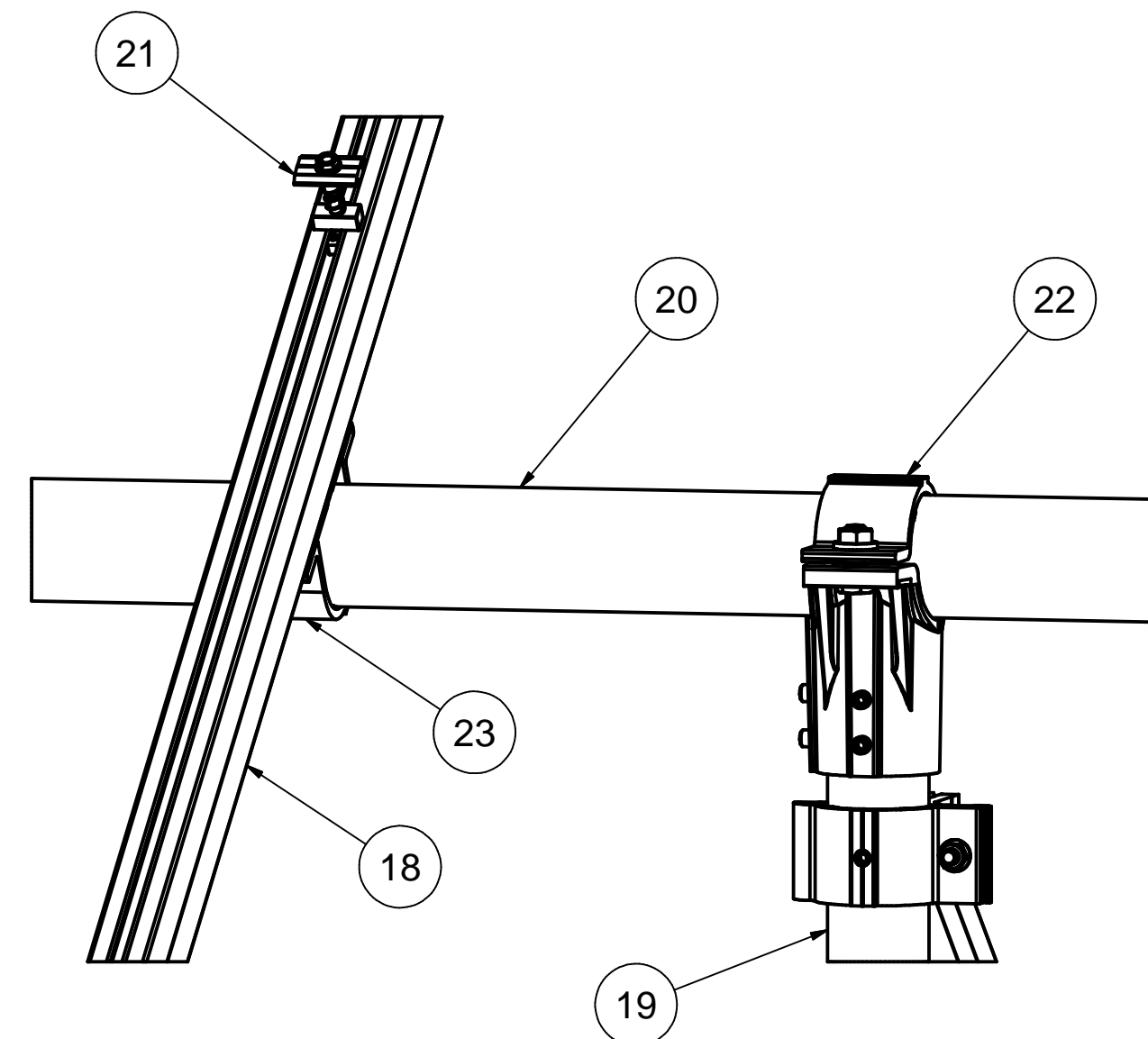
CHECKED BY: D DRAWING NUMBER: D

SCALE: SHEET 1 of 5

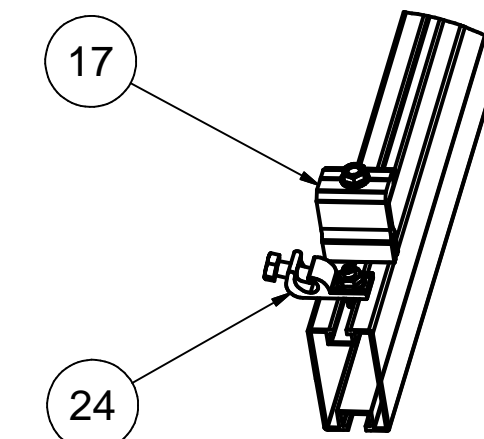
**NOTES: UNLESS OTHERWISE SPECIFIED**

1. APPROVED RAIL PROFILES - STANDARD PANELS  
A20288-XXX (HR300 RAIL), A20297-001 (END CAP),  
K10343-002 (U-CLAMP KIT);  
A20145-XXX (HR350 RAIL), A20285-001 (END CAP),  
K10343-001 (U-CLAMP KIT).
2. APPROVED RAIL PROFILES - OVERSIZE PANELS  
\* A20288-XXX (HR300 RAIL), A20297-001 (END CAP),  
K10343-002 (U-CLAMP KIT);  
\* A20145-XXX (HR350 RAIL), A20285-001 (END CAP),  
K10343-001 (U-CLAMP KIT).
3. K10224-XXX END CLAMP KIT OR K10299-XXX ADJ.  
END CLAMP KIT.

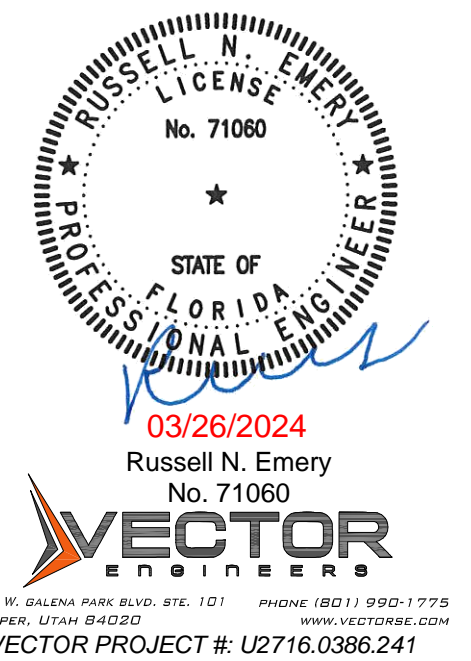
**ALTERNATE(ALT) DETAILS  
HR300, HR350 RAIL PROFILES**



DETAIL A-ALT



DETAIL C-ALT



Vector Structural Engineering requires that we review each site-specific install, and we are not liable for installs at site-specific locations we have not reviewed. This document does not address site-specific installations.

ITEM	PART NUMBER	DESCRIPTION	QTY
24	K10469-003	HR GROUNDING LUG KIT	
23	K10343-XXX	2.5" AL PIPE U-CLAMP KIT	
22	K10341-002	2.5" PIPE TEE KIT	
21	K10180-001	GROUNDING MID-CLAMP KIT WITH T COLLAR BOLT AND GROUNDING BASE	
20	A21168-XXX	PIPE, HSS, 2.875" OD X 12 GAUGE, L=XXX	
19	A21165-XXX	PIPE, HSS, 2.375" OD X 12 GAUGE, L=XXX	
18		HELIO RAIL. VARIES PER NOTE 1 & 2	
17		END CLAMP KIT. VARIES PER NOTE 3	

**SunModo Corp.**

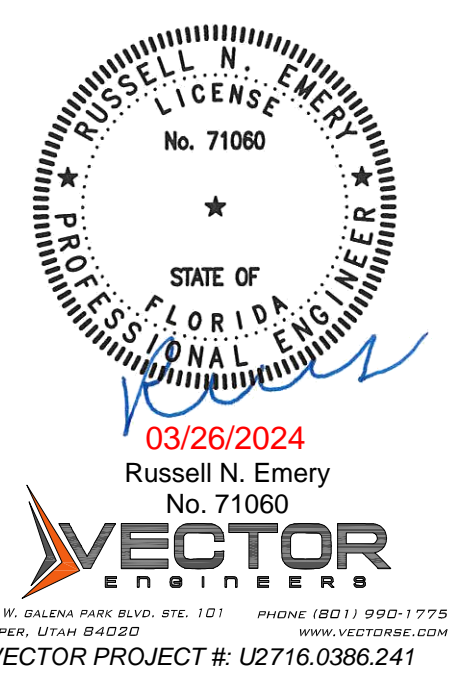
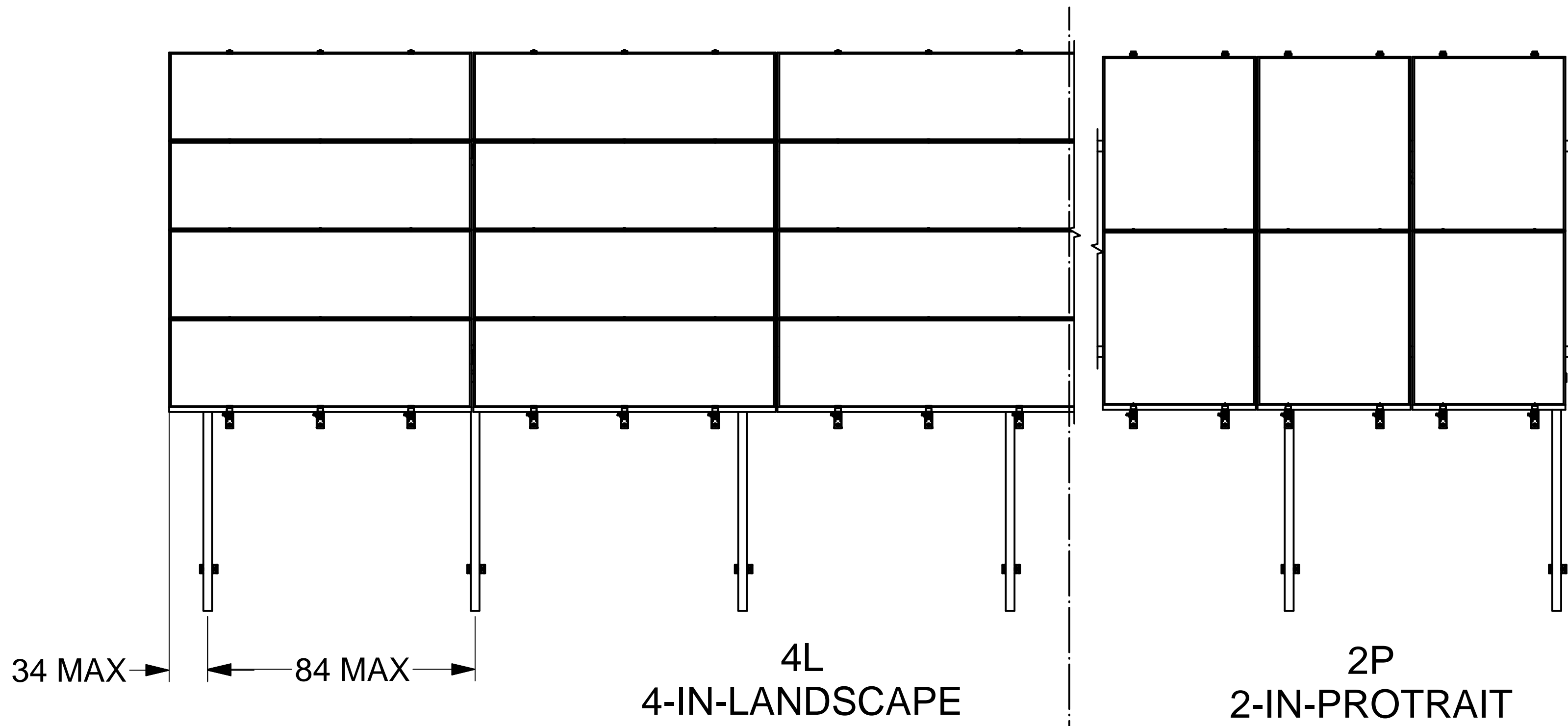
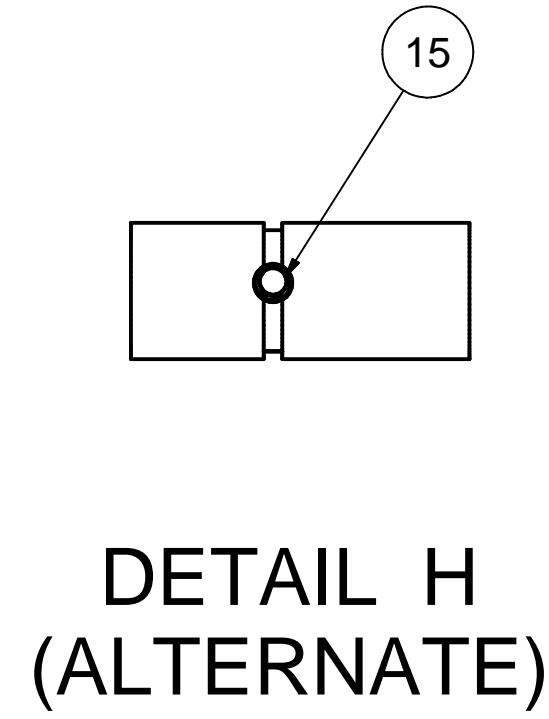
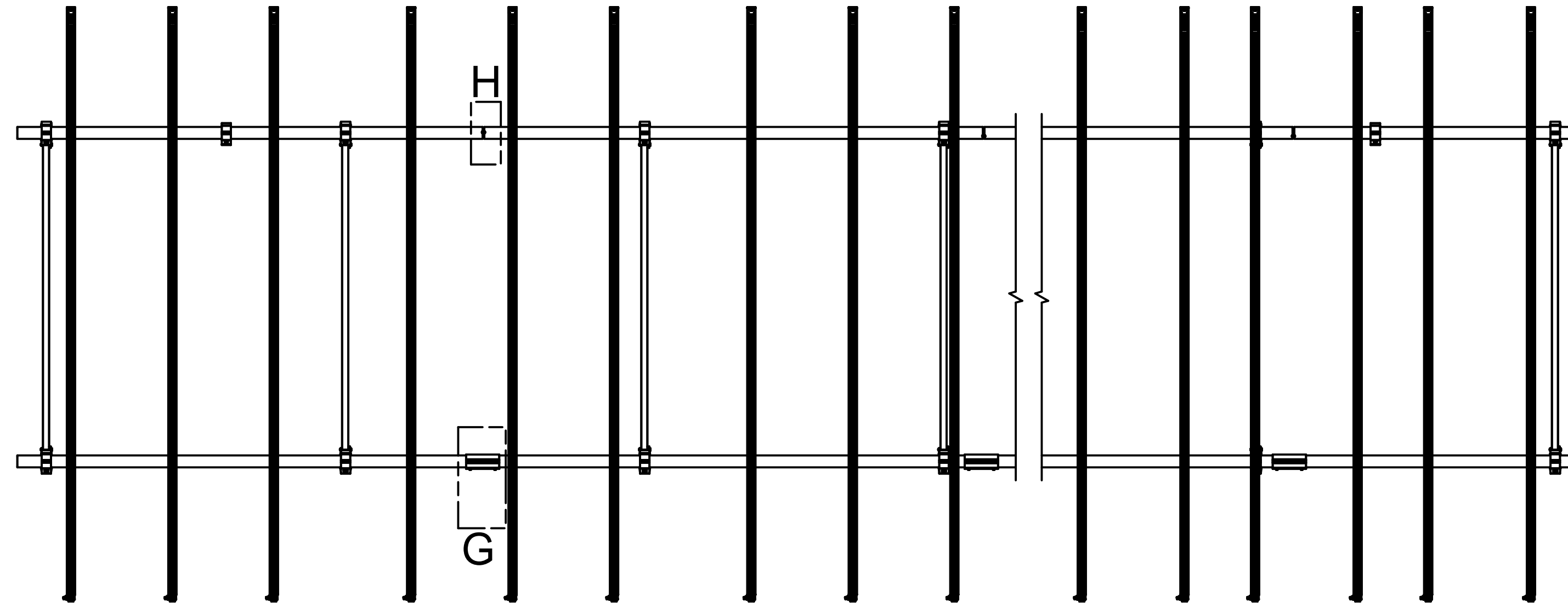
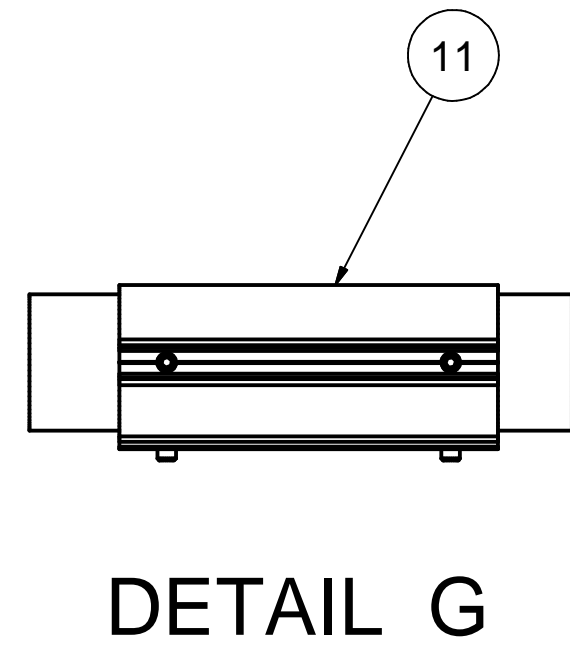
TITLE  
PACKET A17

DRAWING NUMBER

SCALE: SHEET 2 of 5 REV

1

**NOTES:**  
 1. DIMENSIONS LABELED AS MAX ARE MAXIMUM ALLOWABLE AND MAY RESULT IN END POSTS BEING OUTSIDE ARRAY EDGES. MAXIMUM DIMENSIONS MAY BE REDUCED IF DESIRED.  
 2. SEE NOTE 7 OF COVER PAGE FOR PANEL SIZES.



Vector Structural Engineering requires that we review each site-specific install, and we are not liable for installs at site-specific locations we have not reviewed. This document does not address site-specific installations.

<b>SunModo Corp.</b>	
TITLE	PACKET A17
D	DRAWING NUMBER
SCALE:	SHEET 3 of 5 REV

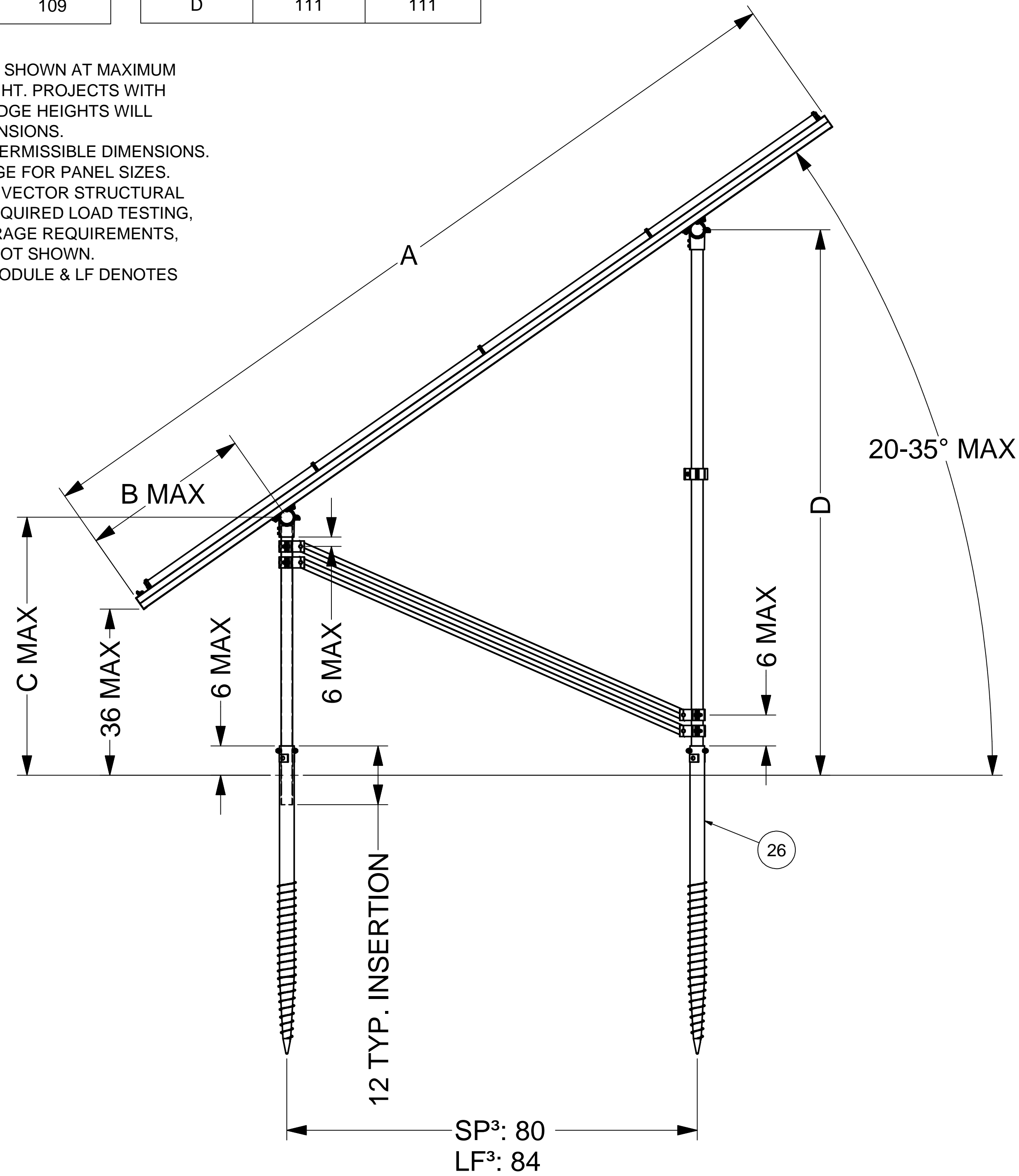


DIMENSIONS - STANDARD PANEL		
ITEM	4L	2P
A	168	166
B	41	40
C	53	54
D	110	109

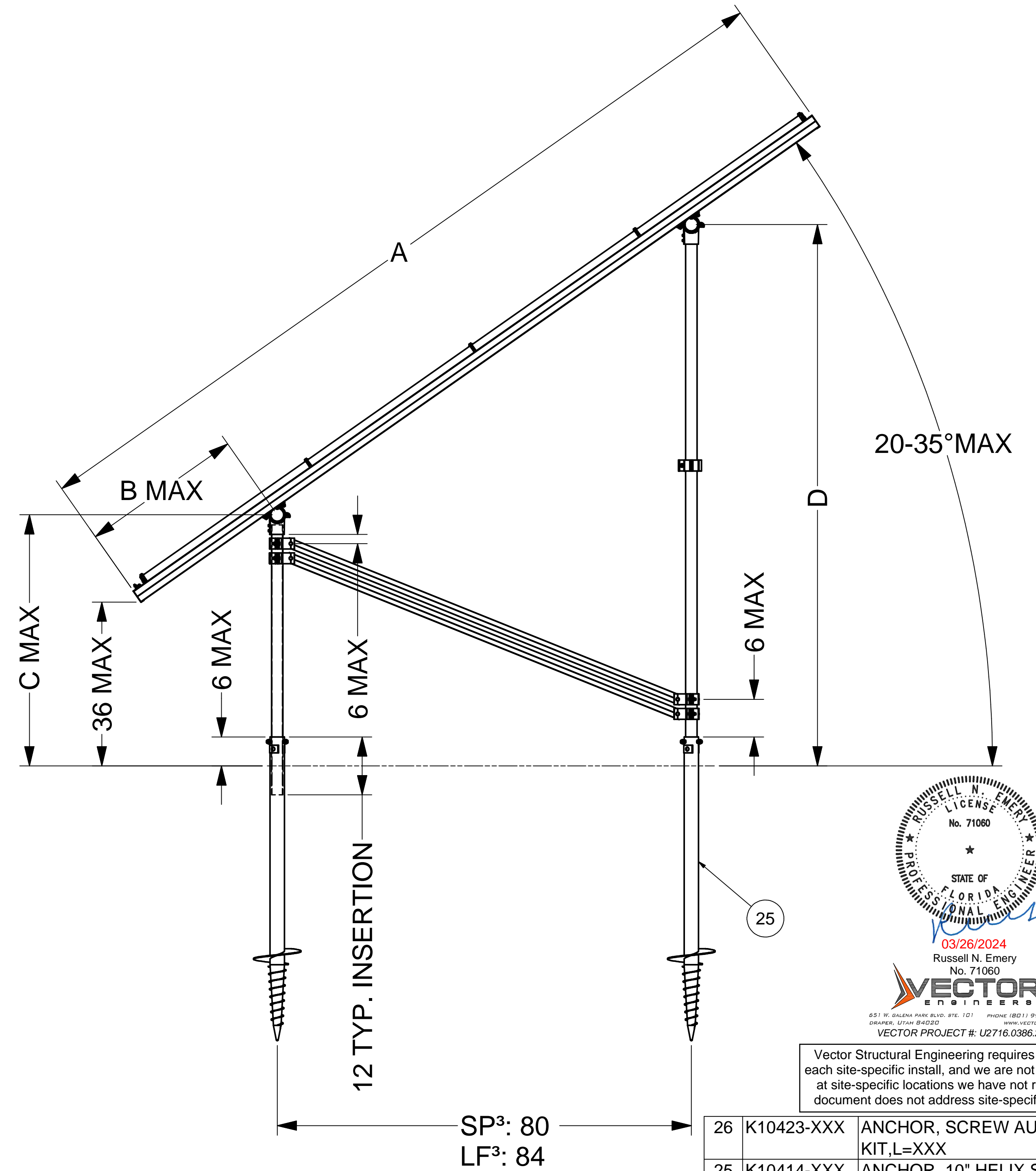
DIMENSIONS - LARGE FORMAT PANEL		
ITEM	4L	2P
A	172	172
B	42	42
C	53	53
D	111	111

**NOTES**

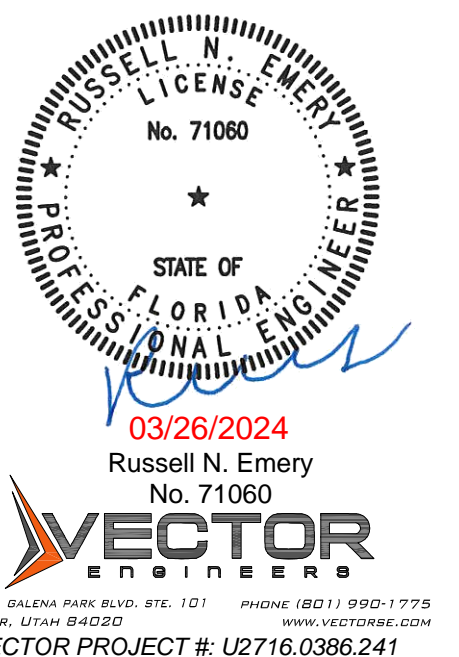
1. DIMENSIONS IN TABLE ARE SHOWN AT MAXIMUM TILT & LEADING EDGE HEIGHT. PROJECTS WITH LOWER TILTS & LEADING EDGE HEIGHTS WILL RESULT IN REDUCED DIMENSIONS.
2. MAX DENOTES MAXIMUM PERMISSIBLE DIMENSIONS.
3. SEE NOTE 7 OF COVER PAGE FOR PANEL SIZES.
4. SEE LETTER PROVIDED BY VECTOR STRUCTURAL ENGINEERING, LLC FOR REQUIRED LOAD TESTING, FOUNDATION AND ANCHORAGE REQUIREMENTS, AND OTHER INFORMATION NOT SHOWN.
5. SP DENOTES STANDARD MODULE & LF DENOTES LARGE FORMAT MODULES.



**GROUND SCREW GROUND MOUNT (GSM)**



**AUGER GROUND MOUNT (AGM)**



Vector Structural Engineering requires that we review each site-specific install, and we are not liable for installs at site-specific locations we have not reviewed. This document does not address site-specific installations.

ITEM	PART NUMBER	DESCRIPTION	QTY
26	K10423-XXX	ANCHOR, SCREW AUGER KIT, L=XXX	
25	K10414-XXX	ANCHOR, 10" HELIX SCREW AUGER, L=XXX	

**SunModo Corp.**

TITLE: PACKET A17

D: DRAWING NUMBER

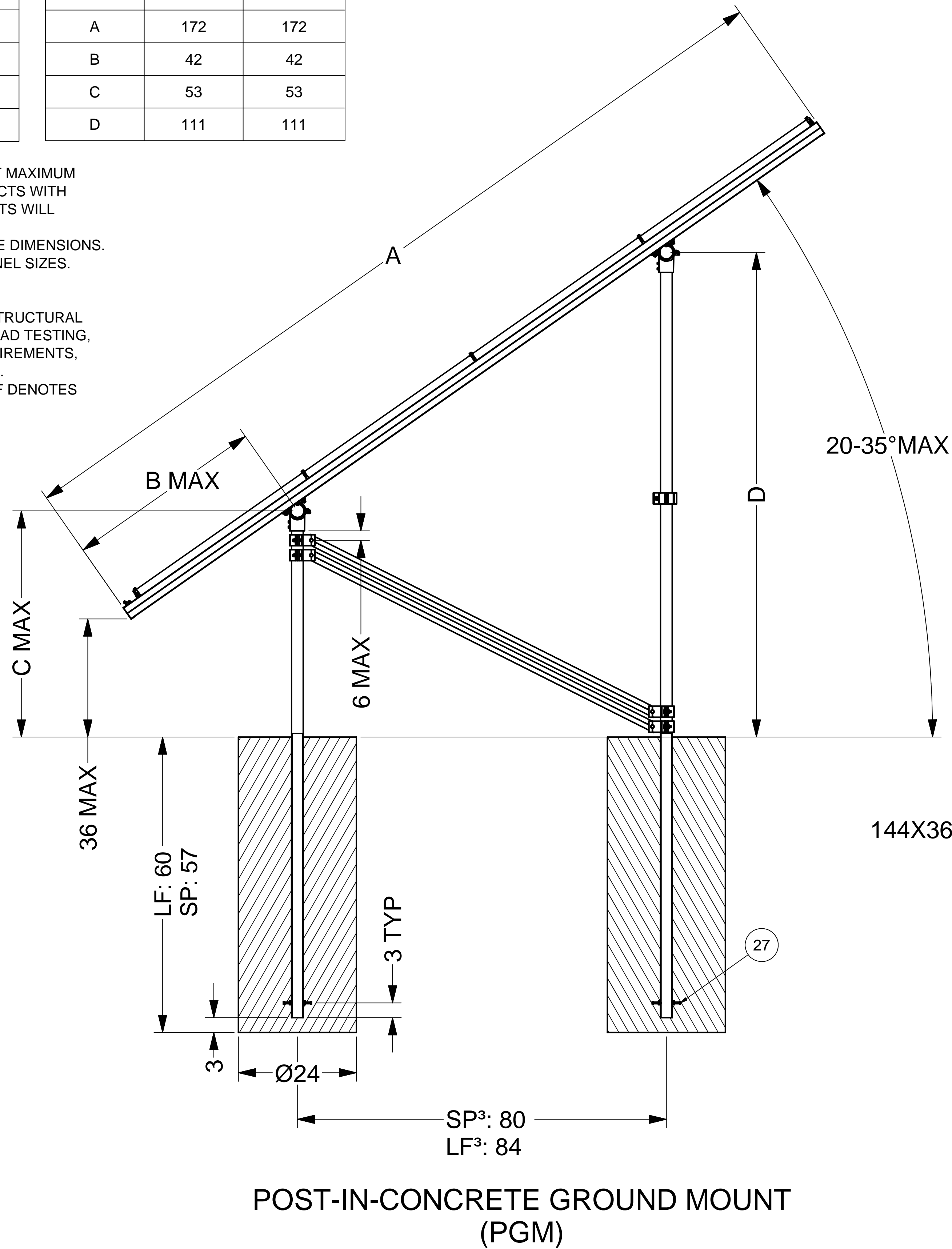
SCALE: SHEET 4 of 5 REV

DIMENSIONS - STANDARD PANEL		
ITEM	4L	2P
A	168	166
B	41	40
C	53	54
D	110	109

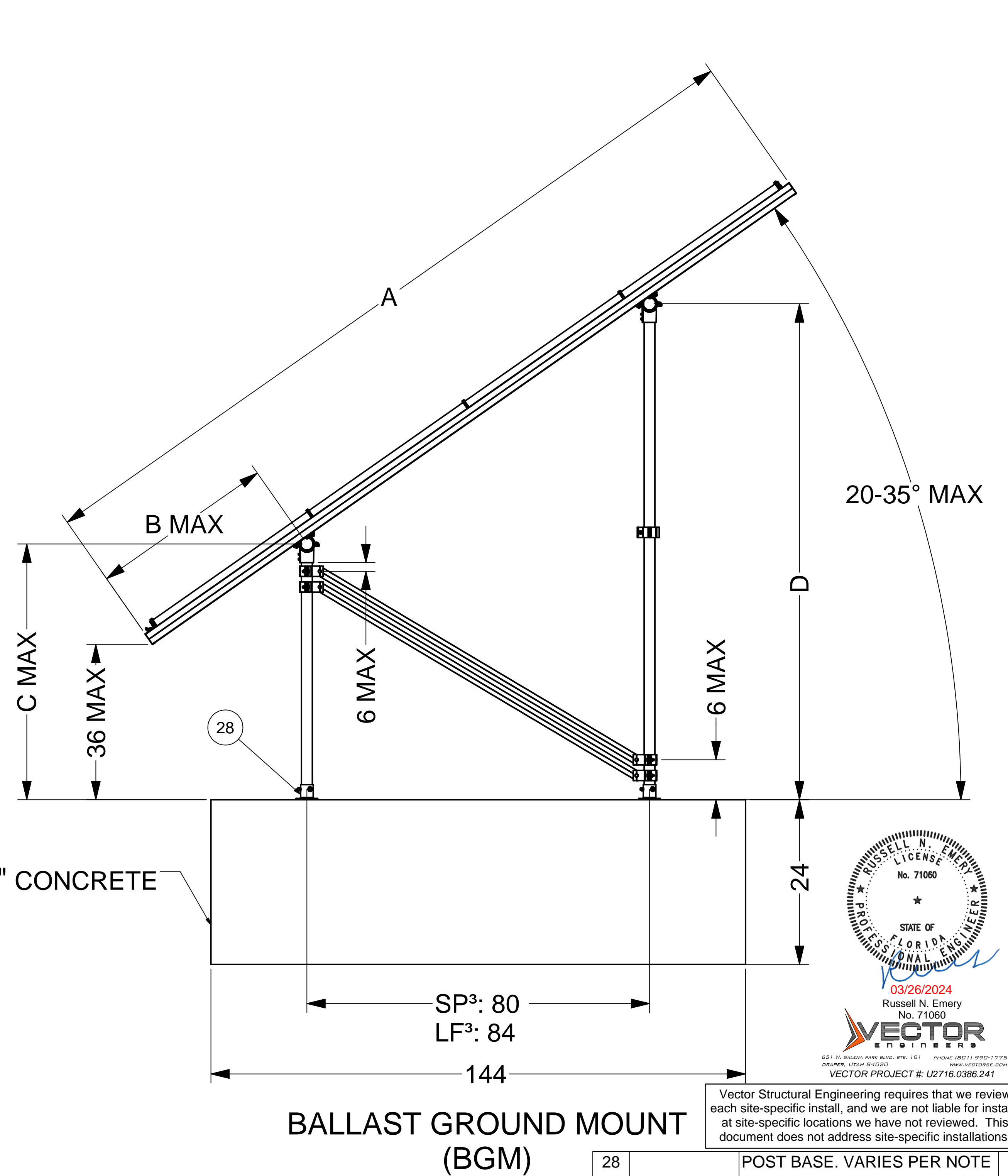
DIMENSIONS - LARGE FORMAT PANEL		
ITEM	4L	2P
A	172	172
B	42	42
C	53	53
D	111	111

**NOTES**

1. DIMENSIONS IN TABLE ARE SHOWN AT MAXIMUM TILT & LEADING EDGE HEIGHT. PROJECTS WITH LOWER TILTS & LEADING EDGE HEIGHTS WILL RESULT IN REDUCED DIMENSIONS.
2. MAX DENOTES MAXIMUM PERMISSIBLE DIMENSIONS.
3. SEE NOTE 7 OF COVER PAGE FOR PANEL SIZES.
4. K10268-005 (2" PIPE BASE KIT) OR K10302-001 (2" PIPE BASE KIT)
5. SEE LETTER PROVIDED BY VECTOR STRUCTURAL ENGINEERING, LLC FOR REQUIRED LOAD TESTING, FOUNDATION AND ANCHORAGE REQUIREMENTS, AND OTHER INFORMATION NOT SHOWN.
6. SP DENOTES STANDARD MODULE & LF DENOTES LARGE FORMAT MODULES.



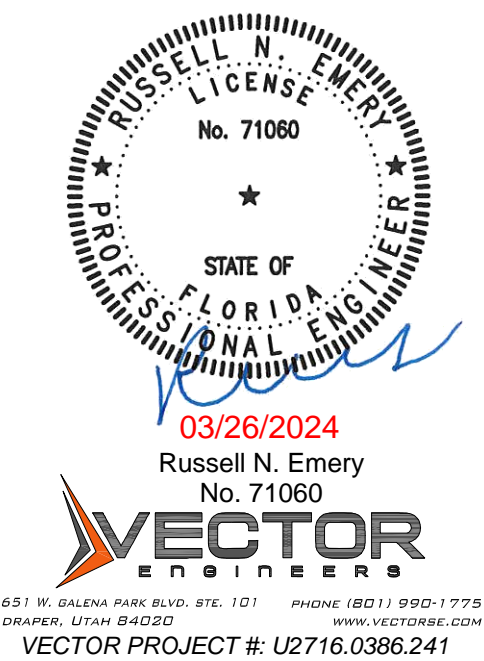
**POST-IN-CONCRETE GROUND MOUNT (PGM)**



**BALLAST GROUND MOUNT (BGM)**

28		POST BASE. VARIES PER NOTE 4	
27	K10186-001	EMBEDDED 2.0" PIPE CLAMP KIT	
ITEM	PART NUMBER	DESCRIPTION	QTY

Vector Structural Engineering requires that we review each site-specific install, and we are not liable for installs at site-specific locations we have not reviewed. This document does not address site-specific installations.



<b>SunModo Corp.</b>	
TITLE	PACKET A17
D	DRAWING NUMBER
SCALE:	SHEET 5 of 5 REV