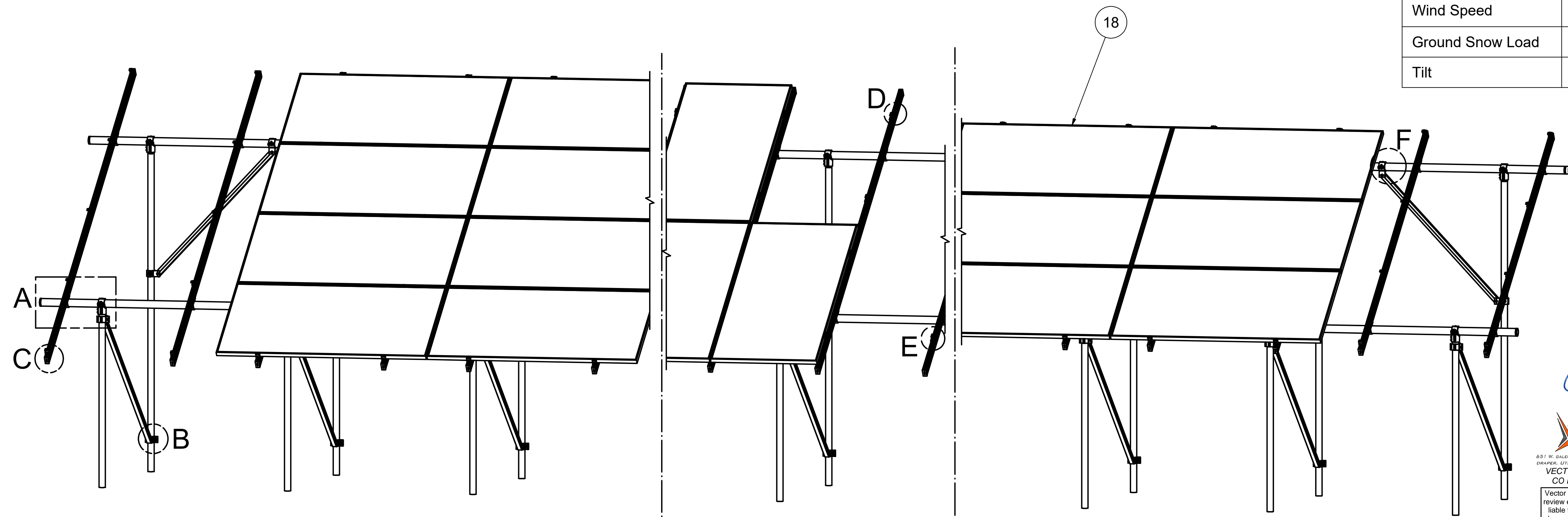


**NOTES: UNLESS OTHERWISE SPECIFIED**

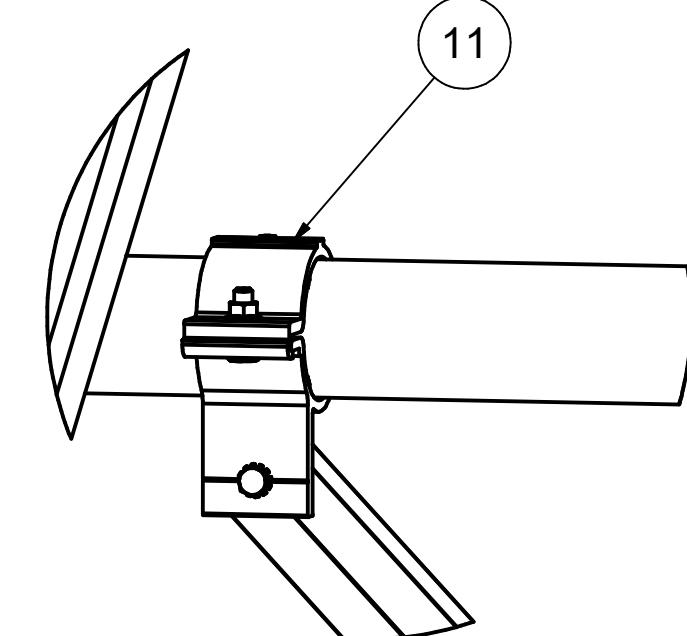
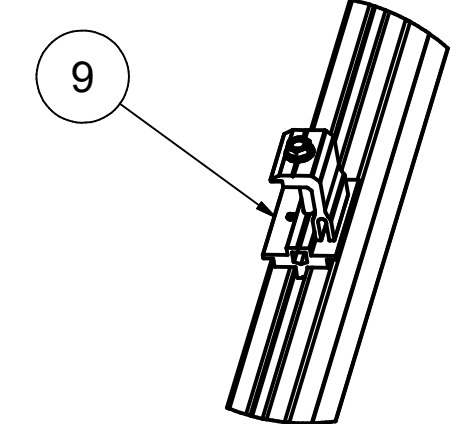
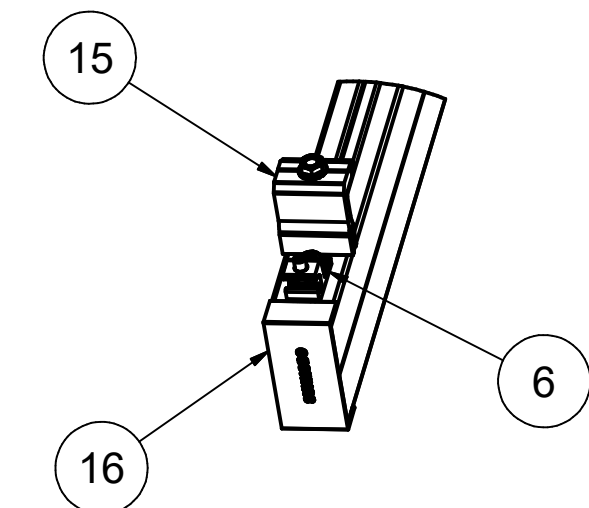
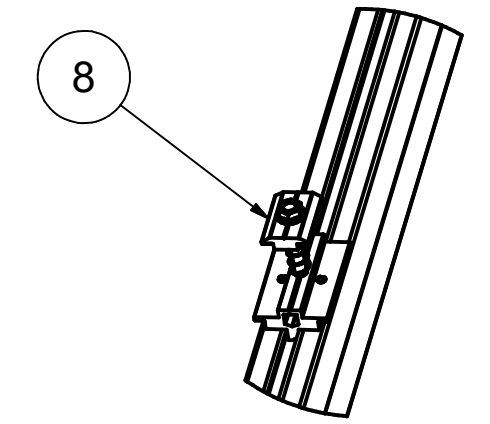
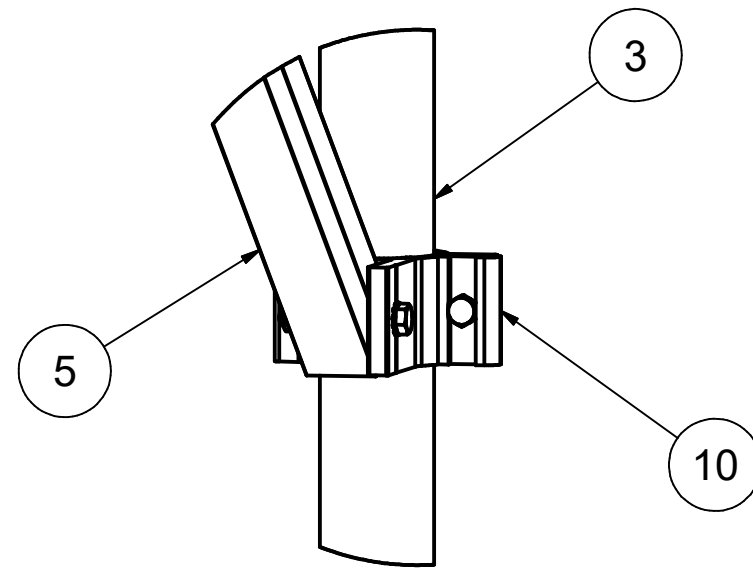
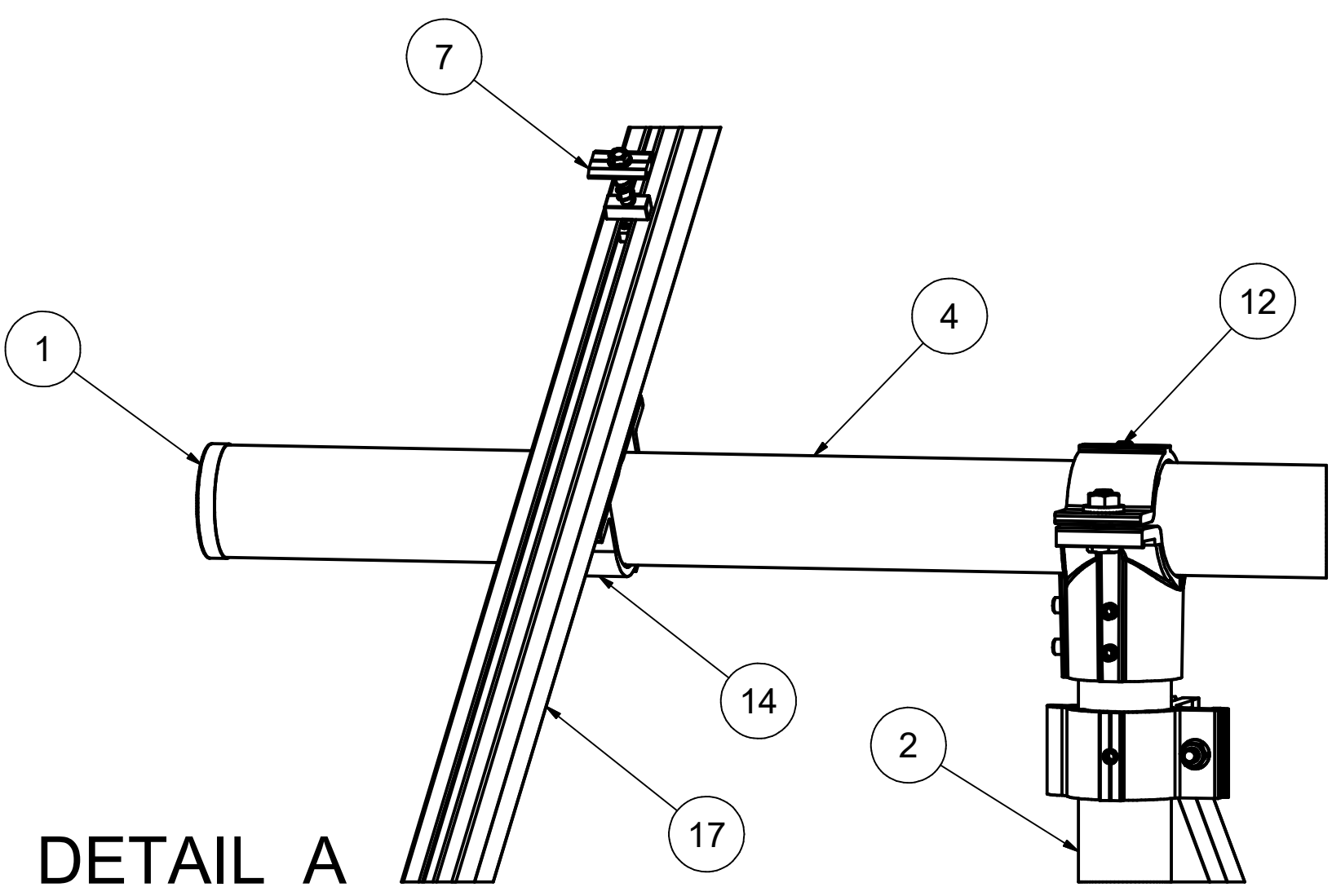
- THIS DRAWING IS NOT FOR CONSTRUCTION UNTIL ENGINEERING HAS REVIEWED AND STAMPED THIS DOCUMENT.
- DIMENSIONS SHOWN ARE INCHES.
- THE SELF-BONDING SYSTEM AND SINGLE GROUND LUG IS FOR USE WITH PV MODULES THAT HAVE A MAXIMUM SERIES FUSE RATING OF 30A.
- MATERIALS ARE AS SPECIFIED OR EQUIVALENT:  
 HARDWARE: 304 STAINLESS STEEL  
 FABRICATED EXTRUDED PARTS: 6005-T5 ALUMINUM ALLOY  
 FABRICATED DIE CAST PARTS: ANSI/AA A380 ALUMINUM ALLOY  
 STEEL PIPE: SCHEDULE 40 GALVANIZED  
 ALUMINUM PIPE: SCHEDULE 10 ANODIZED
- THE MAXIMUM PERMISSIBLE LENGTH OF ANY STRUCTURE SHALL BE 200 FT. FOR SYSTEMS USING A SHARED RAIL CONFIGURATION, A THERMAL BREAK IS REQUIRED IN THE RAIL EVERY 40 FT. PER THE DRAWING DETAILS.
- 4LXN-3LXN-2PXN-20DEG-GSM-AGM-BGM-PGM.
- PANEL DIMENSIONS ARE AS FOLLOWS  
 STANDARD (SP): MAX 82"X42"  
 OVERSIZE (OP): MAX 85"X45"
- APPROVED RAIL PROFILES - STANDARD PANELS  
 A20288-XXX (HR300 RAIL), A20297-001 (END CAP), K10343-002 (U-CLAMP KIT);  
 A20145-XXX (HR350 RAIL), A20285-001 (END CAP), K10343-001 (U-CLAMP KIT).
- APPROVED RAIL PROFILES - OVERSIZE PANELS  
 \* A20288-XXX (HR300 RAIL), A20297-001 (END CAP), K10343-002 (U-CLAMP KIT);  
 \* A20145-XXX (HR350 RAIL), A20285-001 (END CAP), K10343-001 (U-CLAMP KIT).
- K10224-XXX END CLAMP KIT OR K10299-XXX ADJ. END CLAMP KIT.
- FOUNDATION TYPES:  
 GSM = GROUND SCREW GROUND MOUNT  
 AGM = HELICAL AUGER GROUND MOUNT  
 PGM = POST-IN-CONCRETE GROUND MOUNT  
 BSM = BALLAST GROUND MOUNT

Packet D3	
Model Code	ASCE 7-16
Exposure Category	C and Lower
Wind Speed	170 mph and Lower
Ground Snow Load	0 PSF and Lower
Tilt	20 DEG and Lower



**4L 4-IN-LANDSCAPE**  
**2P 2-IN-PROTRAIT**  
**3L 3-IN-LANDSCAPE**  
**STANDARD PANEL (SP) ONLY**

**VECTOR ENGINEERS**  
 651 W. WALDEN PARK BLVD. STE. 101 PHOENIX (602) 992-1775  
 CHANDLER, ARIZONA 85226 WWW.VECTORENG.COM  
 VECTOR PROJECT #: U2716.0277.211  
 CO FIRM LICENSE #: 20181009799  
 Vector Structural Engineering requires that we review each site-specific install, and we are not liable for installs at site-specific locations we have not reviewed. This document does not address site-specific installations.



ITEM	PART NUMBER	DESCRIPTION	QTY
19	K10448-001	2.5" PIPE SPLICE KIT	3
18		PANEL	
17		HELIO RAIL. VARIES PER NOTE 8 & 9	
16		HELIO RAIL END CAP. VARIES PER NOTE 8 & 9	
15		END CLAMP KIT. VARIES PER NOTE 10	
14	K10343-001	2.5" AL PIPE U-CLAMP KIT	
13	K10342-001	2.5" PIPE SPLICE KIT	
12	K10341-001	2.5" PIPE TEE KIT	
11	K10222-001	2.5" PIPE CLAMP KIT	
10	K10219-001	2" AL PIPE CLAMP KIT	
9	K10183-XXX	LANDSCAPE GROUNDING END CLAMP KIT	
8	K10182-001	LANDSCAPE GROUNDING MID CLAMP KIT	
7	K10180-001	GROUNDING MID-CLAMP KIT WITH T COLLAR BOLT AND GROUNDING BASE	
6	K10179-001	SELF-GROUNDING LUG KIT	
5	A50164-XXX	1.5" SQ. STL TUBE BRACE, L=XXX	
4	A21168-XXX	PIPE, HSS, 2.875" OD X 12 GAUGE, L=XXX	
3	A21165-XXX (REAR)	PIPE, HSS, 2.375" OD X 12 GAUGE, L=XXX	
2	A21165-XXX (FRONT)	PIPE, HSS, 2.375" OD X 12 GAUGE, L=XXX	
1	A20380-001	2.5" PIPE END CAP	

MATERIAL: SEE BOM

Third Angle Projection:

GENERAL SPECIFICATIONS  
 All Dimensions in inches (millimeters)  
 Tolerances:  
 FRACTIONS (0.25mm)  
 XX (0.001mm) Break all sharp edges  
 X.XX (0.001mm) 0.10-0.20 unless otherwise specified

DATE: 09/15/2023

DRAWN BY: PHQ

CHECKED BY:

**SunModo Corp.**  
 14800 NE 65TH STREET, VANCOUVER WA 98682

TITLE: PACKET D3

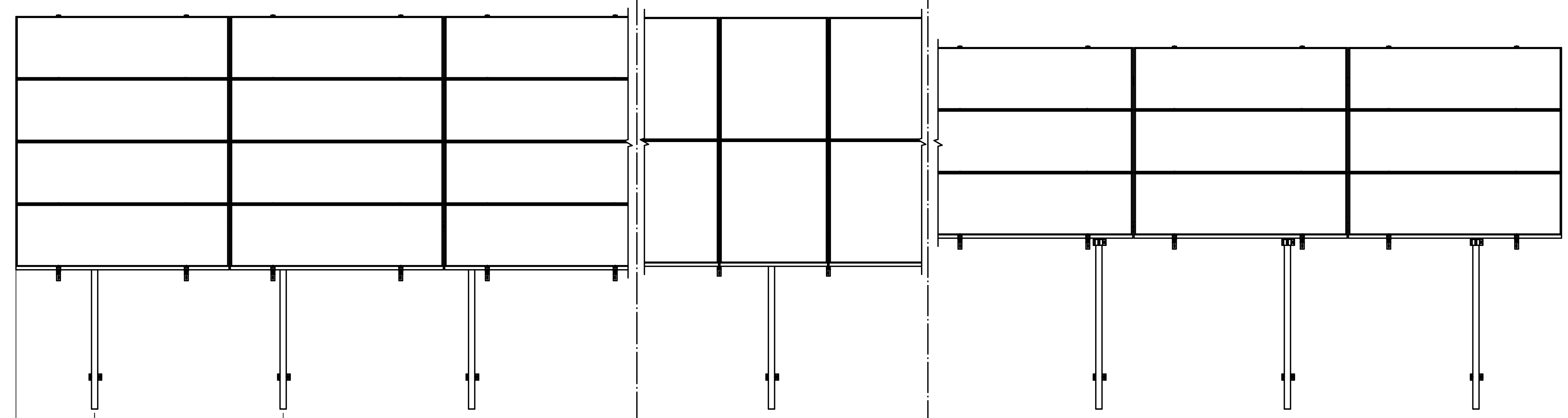
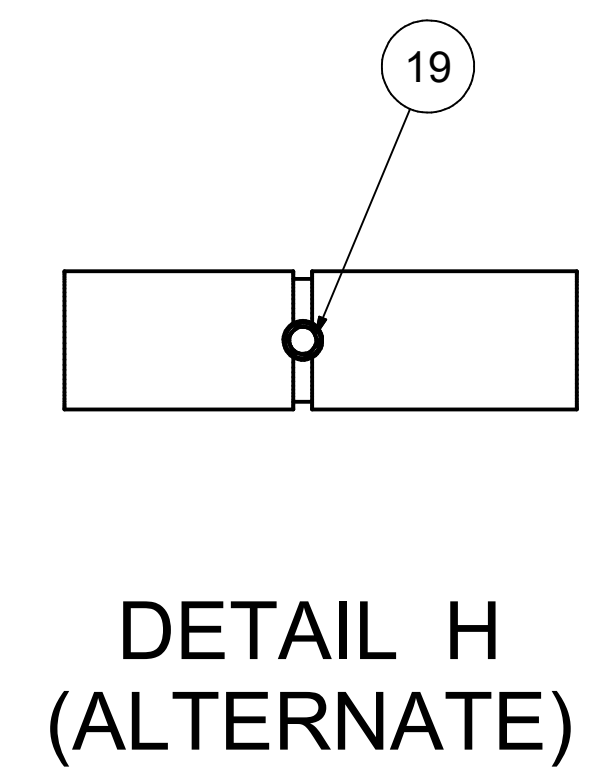
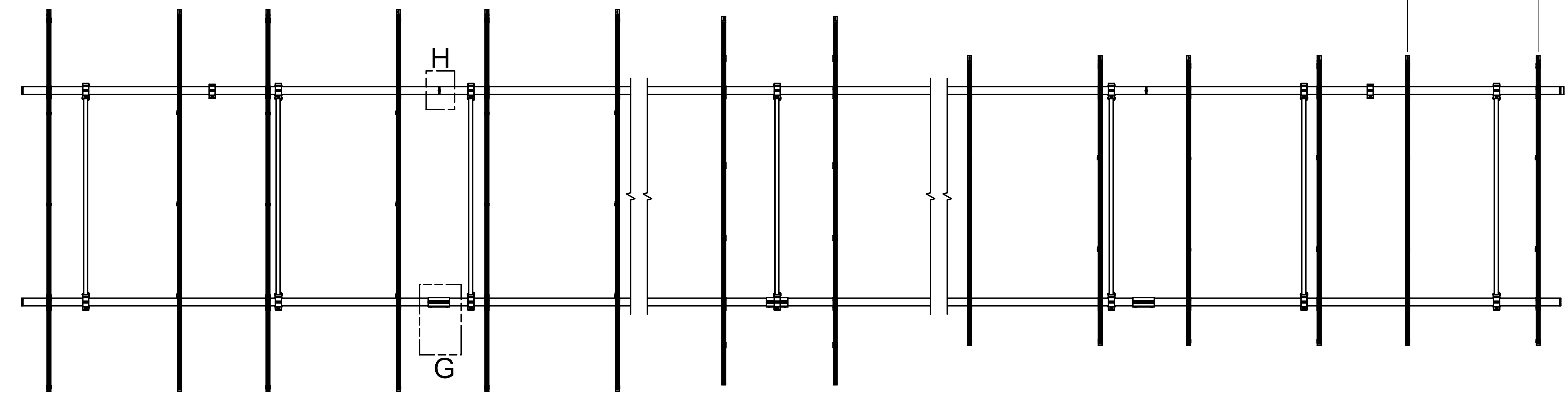
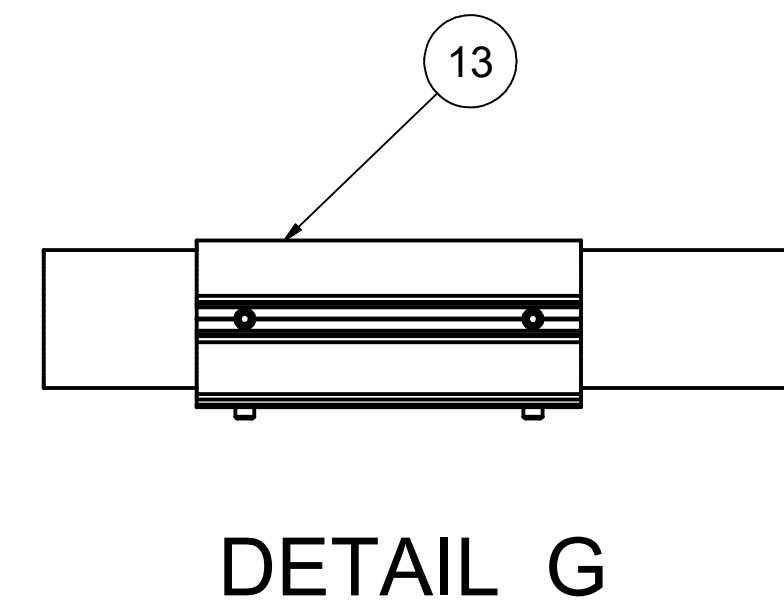
D DRAWING NUMBER

SCALE: SHEET 1 of 4

THIS DRAWING IS CONFIDENTIAL PROPERTY OF SUNMODO AND ITS CONTENTS MAY NOT BE DISCLOSED WITHOUT THE PRIOR WRITTEN CONSENT OF SUNMODO CORP.

**NOTES:**  
 1. DIMENSIONS LABELED AS MAX ARE MAXIMUM ALLOWABLE AND MAY RESULT IN END POSTS BEING OUTSIDE ARRAY EDGES. MAXIMUM DIMENSIONS MAY BE REDUCED IF DESIRED.  
 2. SEE NOTE 7 OF COVER PAGE FOR PANEL SIZES.

**RAIL SPACING**  
 LANDSCAPE: PER PANEL MANUFACTURER  
 PORTRAIT: PANEL WIDTH + 0.25"



20 MAX      60 MAX<sup>1</sup>

**4L  
 4-IN-LANDSCAPE  
 STANDARD PANEL (SP) ONLY**

**2P  
 2-IN-PROTRAIT**

**3L  
 3-IN-LANDSCAPE**



**VECTOR ENGINEERS**  
 651 W. GALENA PARK BLVD., STE. 101    PHONE (801) 990-1775  
 DRAPER, UT 84020    WWW.VECTORENG.COM  
 VECTOR PROJECT #: U2716.0277.211  
 CO FIRM LICENSE #: 20181009799  
 Vector Structural Engineering requires that we review each site-specific install, and we are not liable for installs at site-specific locations we have not reviewed. This document does not address site-specific installations.

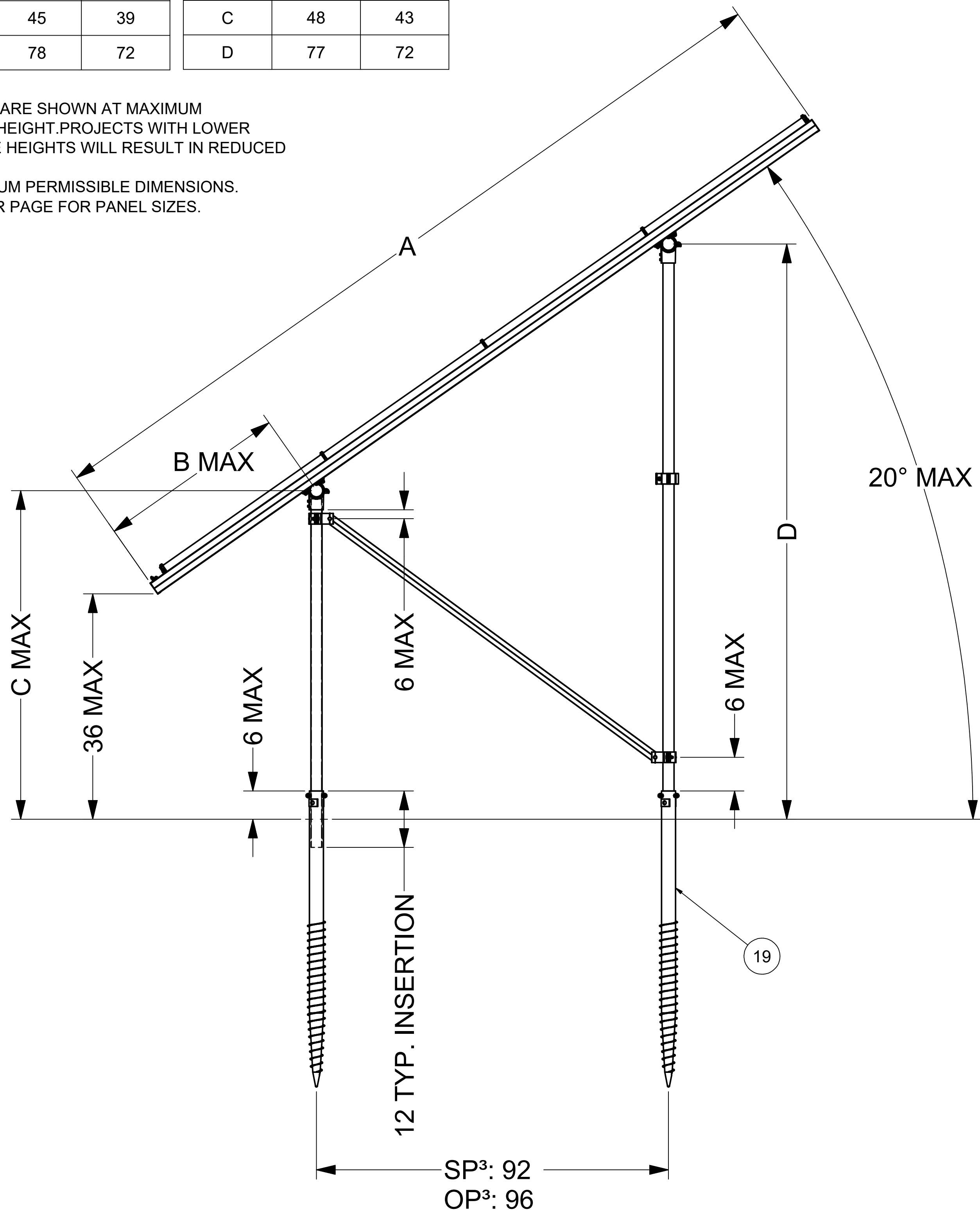
<b>SunModo Corp.</b>			
TITLE: PACKET D3			
DRAWING NUMBER:			
D	SHEET 2 of 4		
SCALE:	REV	REV	REV

DIMENSIONS - STANDARD PANEL			
ITEM	4L	2P	3L
A	172	166	130
B	37	34	16
C	46	45	39
D	79	78	72

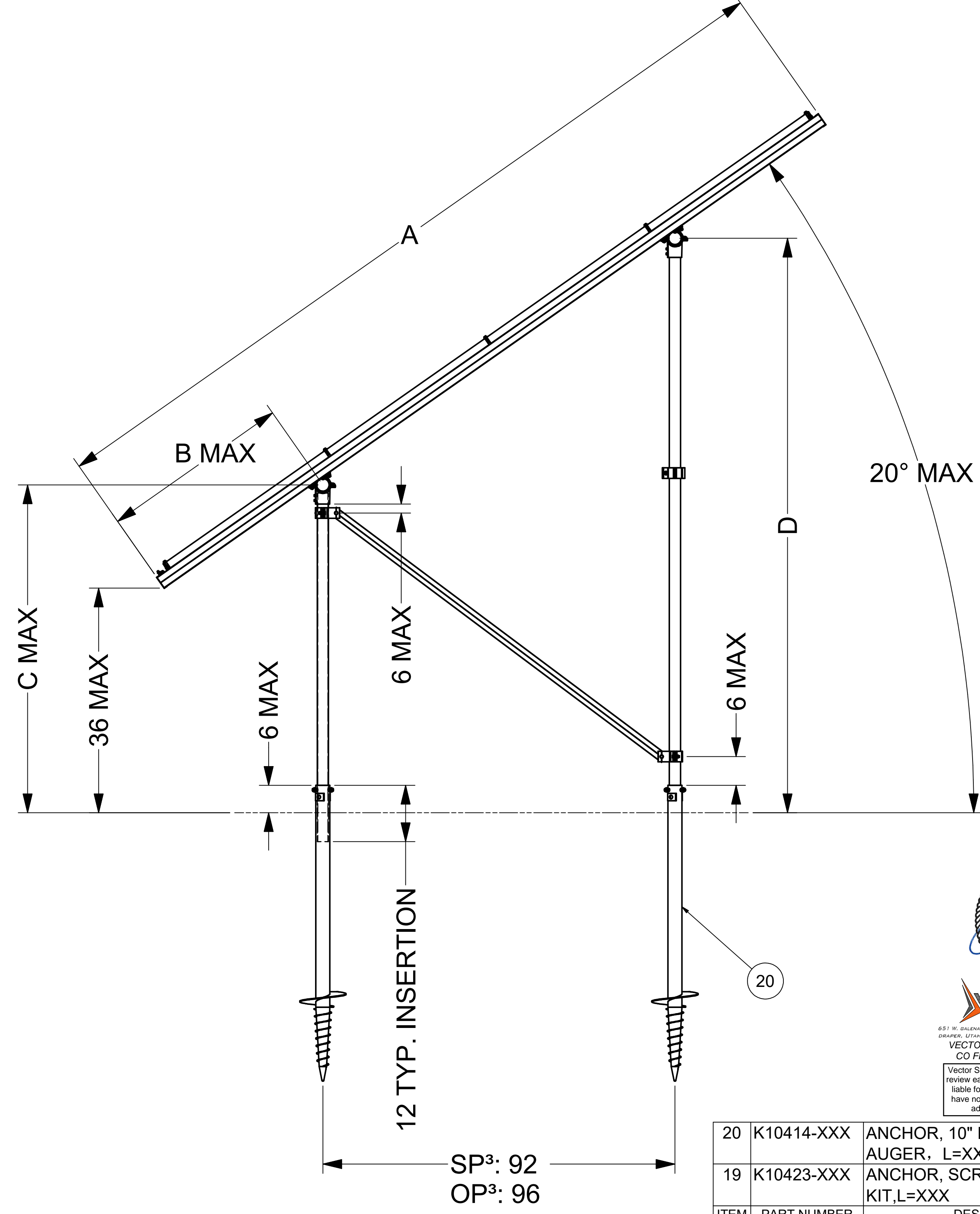
DIMENSIONS - OVERSIZE PANE		
ITEM	2P	3L
A	172	140
B	43	27
C	48	43
D	77	72

**NOTES**

1. DIMENSIONS IN TABLE ARE SHOWN AT MAXIMUM TILT & LEADING EDGE HEIGHT. PROJECTS WITH LOWER TILTS & LEADING EDGE HEIGHTS WILL RESULT IN REDUCED DIMENSIONS.
2. MAX DENOTES MAXIMUM PERMISSIBLE DIMENSIONS.
3. SEE NOTE 7 OF COVER PAGE FOR PANEL SIZES.



**GROUND SCREW GROUND MOUNT (GSM)**



**AUGER GROUND MOUNT (AGM)**

ITEM	PART NUMBER	DESCRIPTION	QTY
20	K10414-XXX	ANCHOR, 10" HELIX SCREW AUGER, L=XXX	
19	K10423-XXX	ANCHOR, SCREW AUGER KIT, L=XXX	



**VECTOR ENGINEERS**  
 851 W. WALDEN PARK BLVD. STE. 101 PHONE: (800) 992-1778  
 DRAPER, UTAH 84020 WWW.VECTORSE.COM

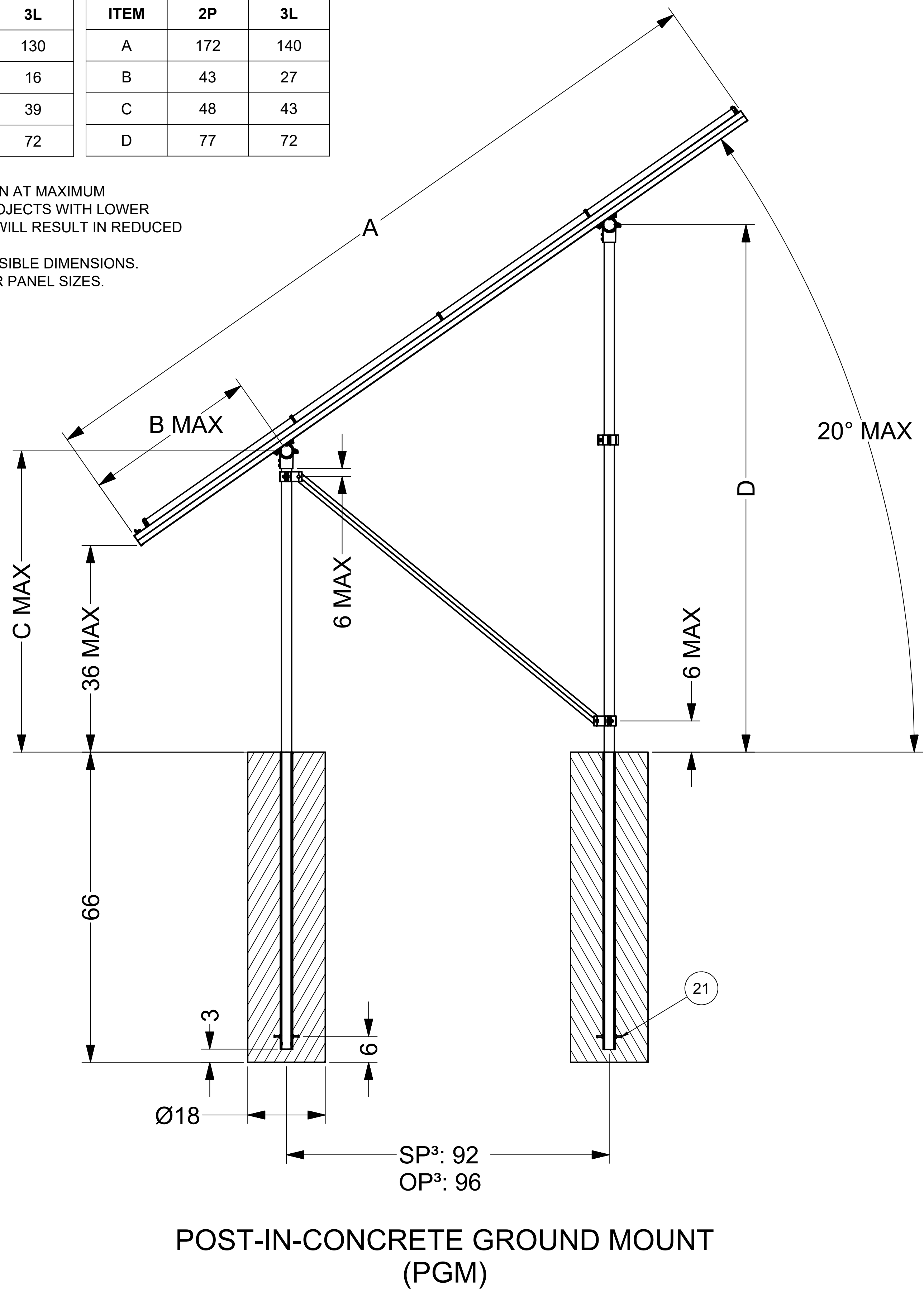
VECTOR PROJECT #: U2716.0277.211  
 CO FIRM LICENSE #: 20181009799  
 Vector Structural Engineering requires that we review each site-specific install, and we are not liable for installs at site-specific locations we have not reviewed. This document does not address site-specific installations.

<b>SunModo Corp.</b>	
TITLE: PACKET D3	
D	DRAWING NUMBER
SCALE:	SHEET 3 of 4 REV

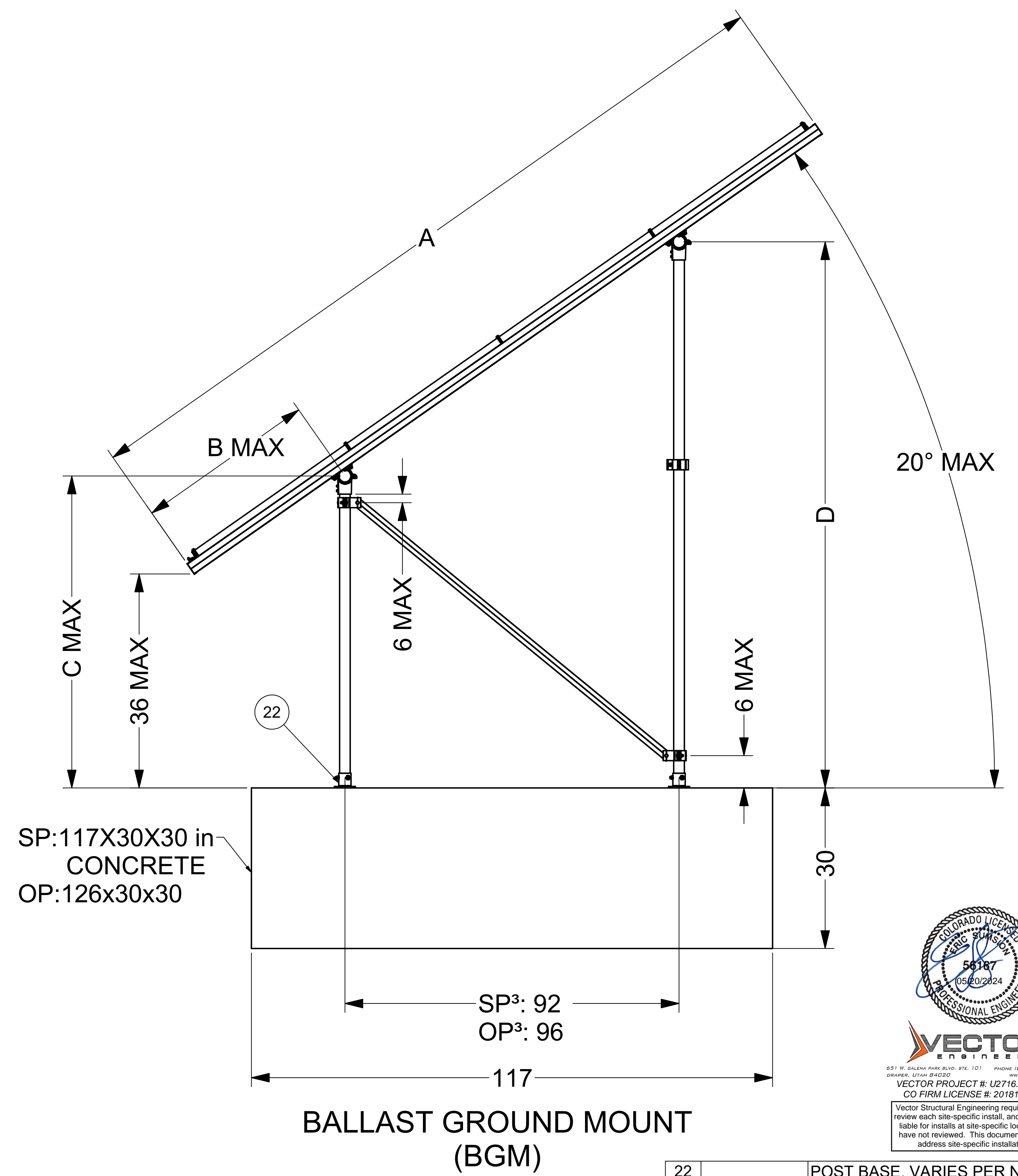
DIMENSIONS - STANDARD PANEL				DIMENSIONS - OVERSIZE PANE		
ITEM	4L	2P	3L	ITEM	2P	3L
A	172	166	130	A	172	140
B	37	34	16	B	43	27
C	46	45	39	C	48	43
D	79	78	72	D	77	72

**NOTES**

1. DIMENSIONS IN TABLE ARE SHOWN AT MAXIMUM TILT & LEADING EDGE HEIGHT. PROJECTS WITH LOWER TILTS & LEADING EDGE HEIGHTS WILL RESULT IN REDUCED DIMENSIONS.
2. MAX DENOTES MAXIMUM PERMISSIBLE DIMENSIONS.
3. SEE NOTE 7 OF COVER PAGE FOR PANEL SIZES.
4. K10268-005 (2" PIPE BASE KIT) OR K10302-001 (2" PIPE BASE KIT)



**POST-IN-CONCRETE GROUND MOUNT (PGM)**



**BALLAST GROUND MOUNT (BGM)**

SP: 117X30X30 in CONCRETE  
OP: 126x30x30

ITEM	PART NUMBER	DESCRIPTION	QTY
22		POST BASE. VARIES PER NOTE 4	
21	K10186-001	EMBEDDED 2.0" PIPE CLAMP KIT	



**VECTOR ENGINEERS**  
 631 W. SALINA PARK BLVD. STE. 101 PHONE (801) 990-1775  
 DUBLUVE, UT 84002 WWW.VECTORENG.COM  
 VECTOR PROJECT #: U2716.0277.211  
 CO FIRM LICENSE #: 20181009799  
 Vector Structural Engineering requires that we review each site-specific install, and we are not liable for installs at site-specific locations we have not reviewed. This document does not address site-specific installations.

<b>SunModo Corp.</b>	
TITLE: PACKET D3	
DRAWING NUMBER:	
SCALE:	SHEET 4 of 4 REV