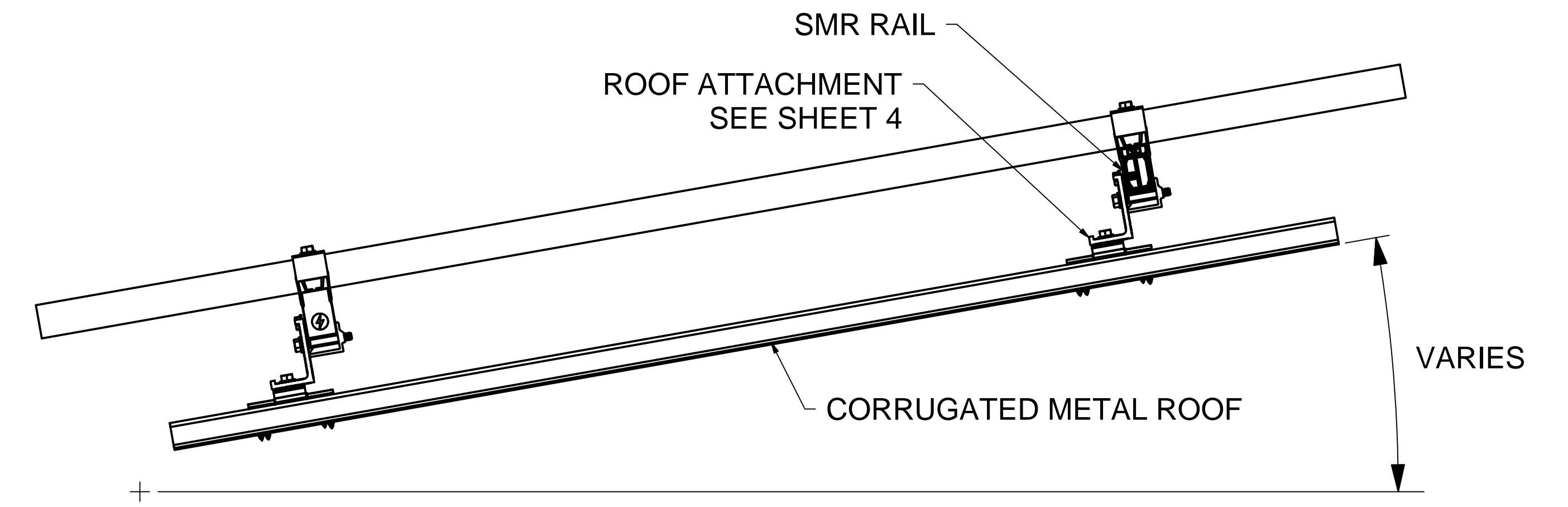


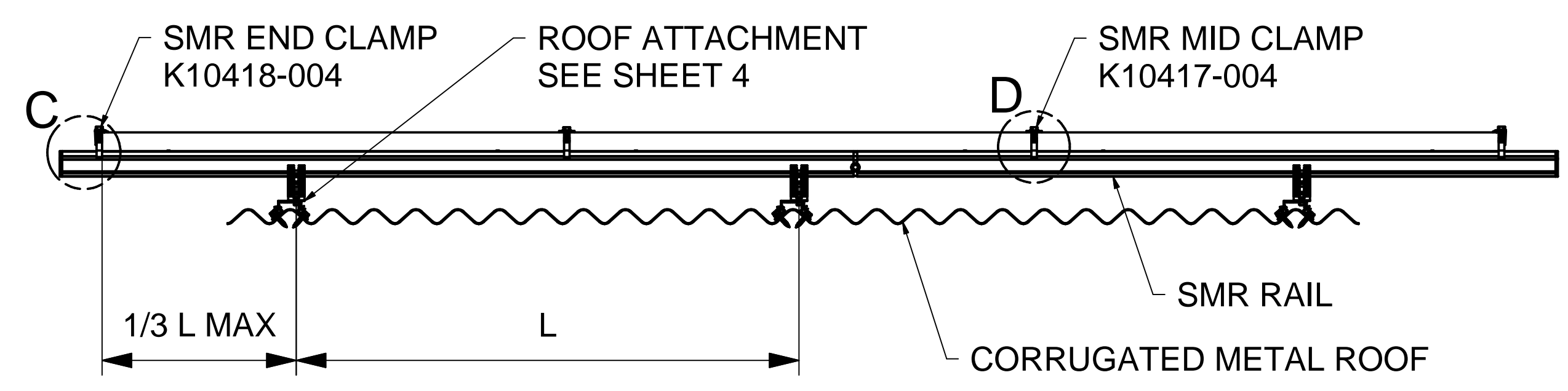
PLAN VIEW

SMR SYSTEM CORRUGATED METAL ROOF MOUNT, PORTRAIT MODULE



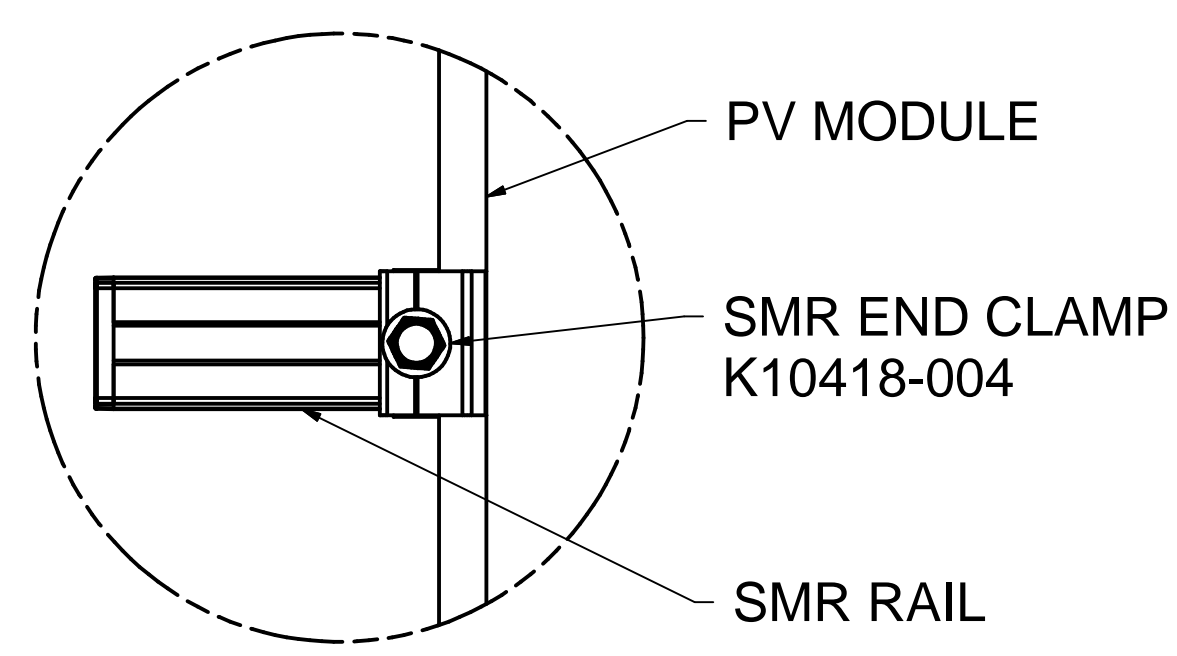
SIDE VIEW

SMR SYSTEM CORRUGATED METAL ROOF MOUNT, PORTRAIT MODULE

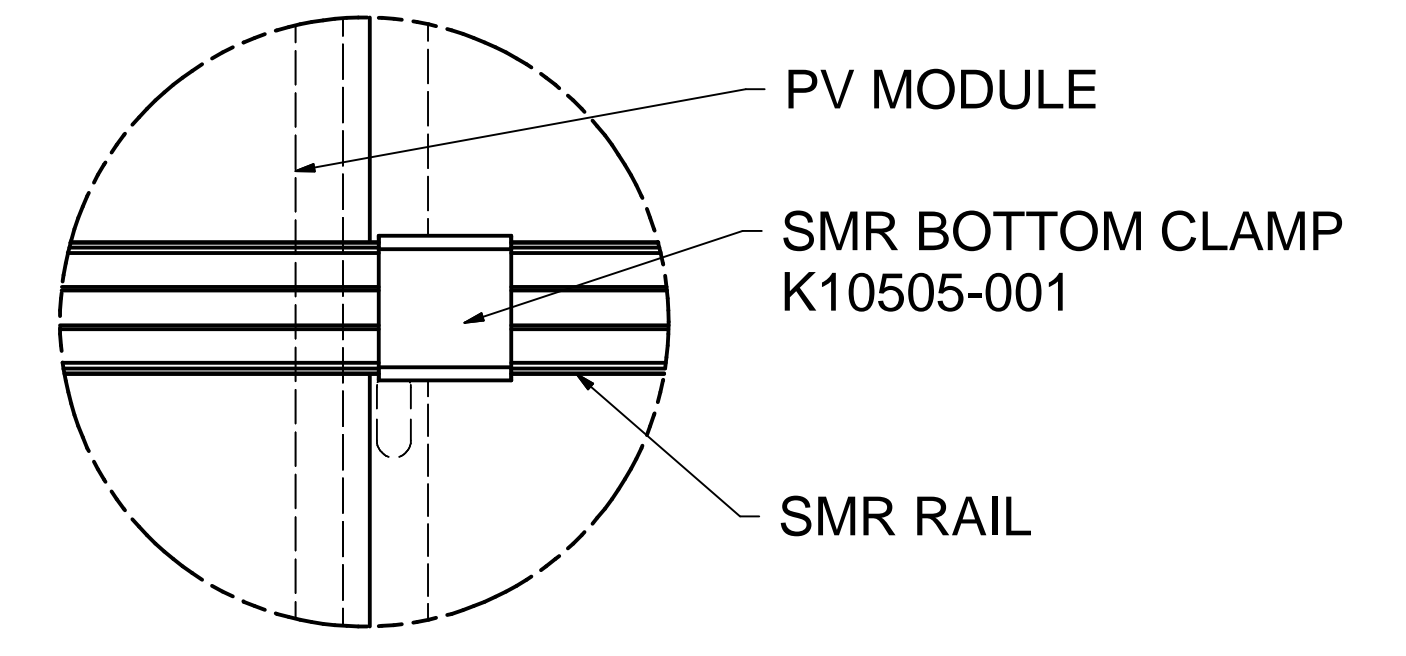


FRONT VIEW

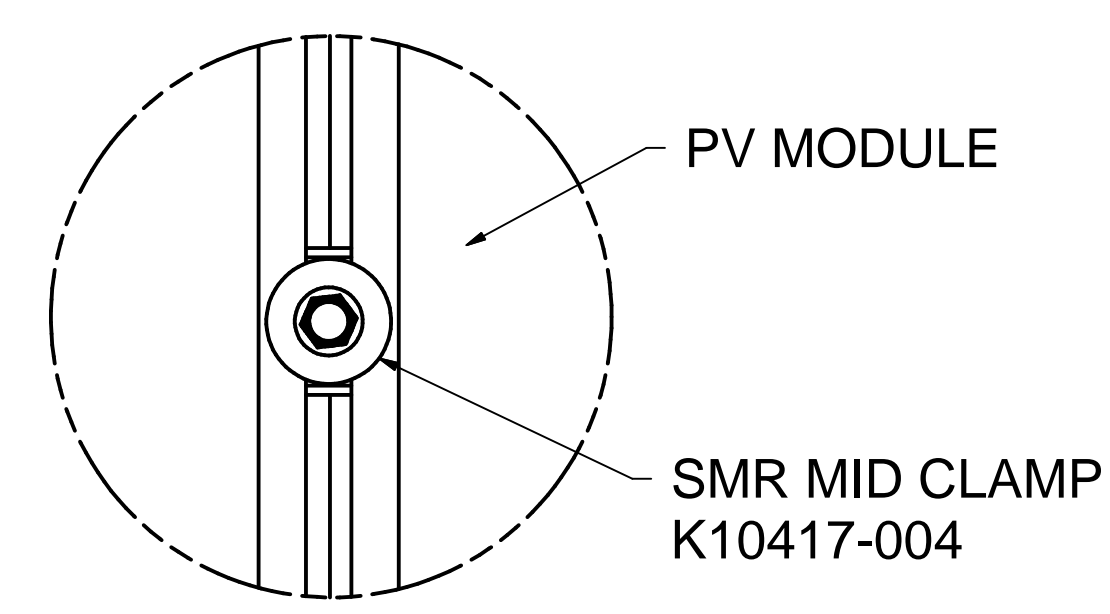
SMR SYSTEM CORRUGATED METAL ROOF MOUNT, PORTRAIT MODULE



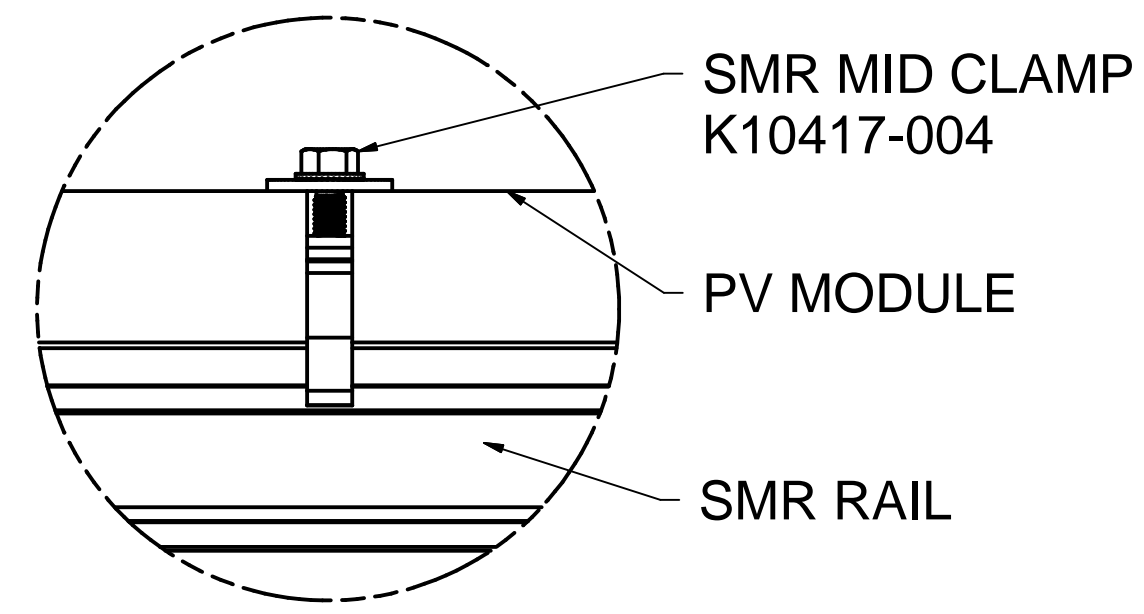
DETAIL A



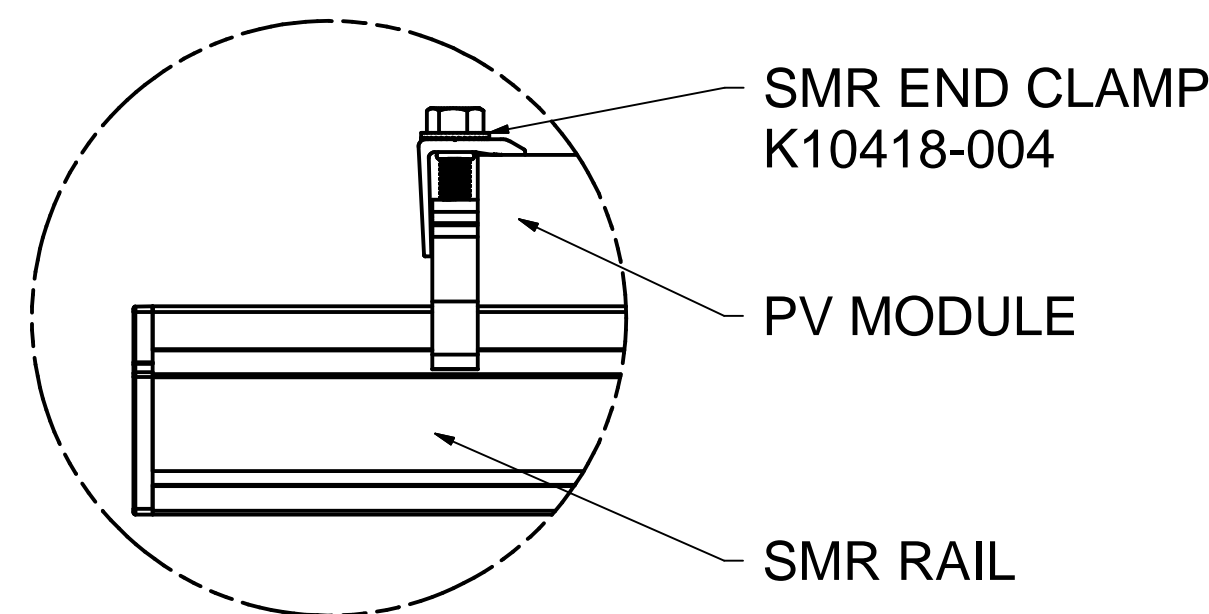
DETAIL A-ALT



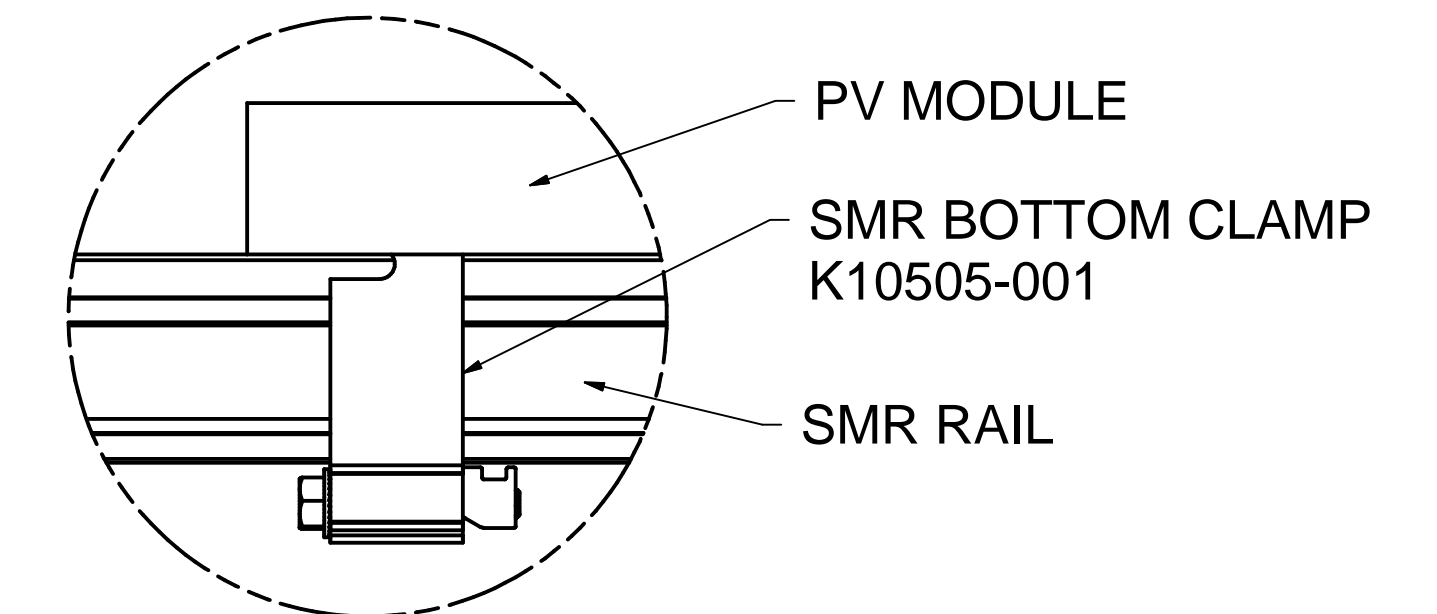
DETAIL B



DETAIL D

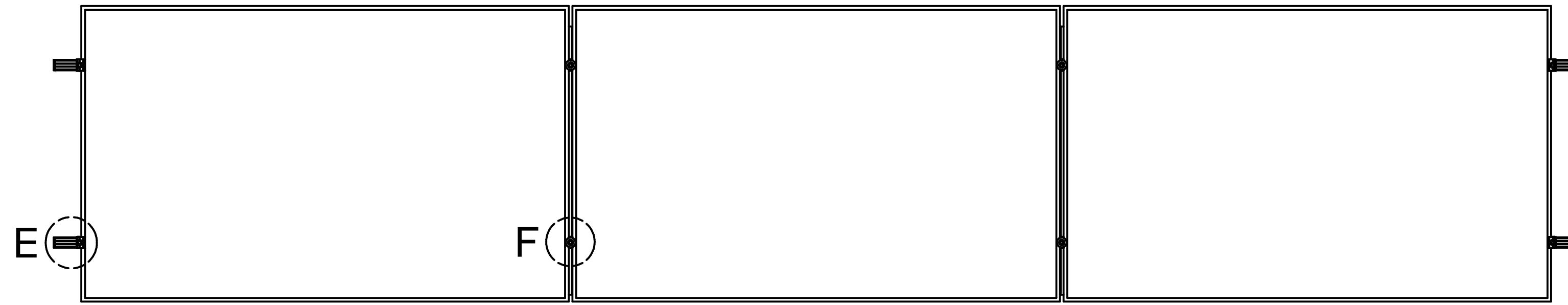


DETAIL C



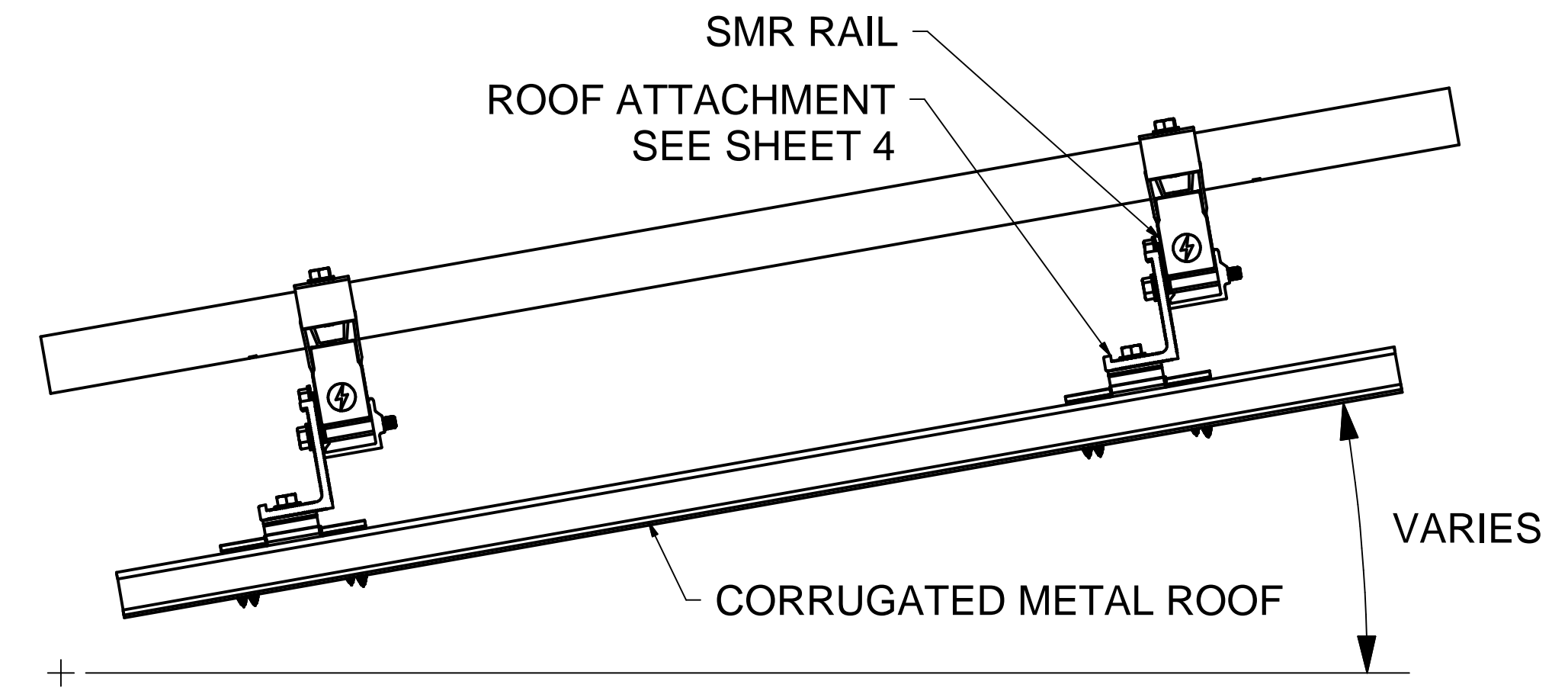
DETAIL C-ALT

SunModo Corp.			
TITLE: SMR PITCHED ROOF SYSTEM			
DRAWING NUMBER: D10246-V2			
SCALE:	SHEET 1 of 4	REV	



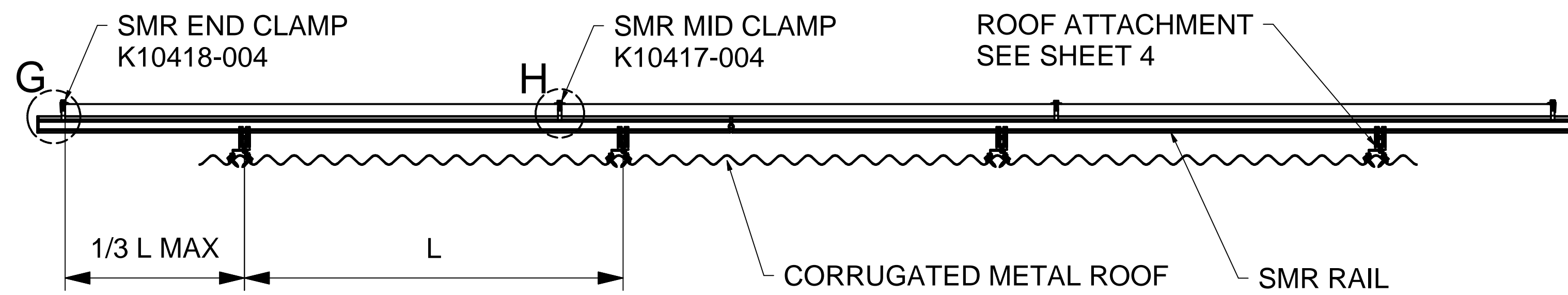
PLAN VIEW

SMR SYSTEM CORRUGATED METAL ROOF MOUNT, LANDSCAPE MODULE



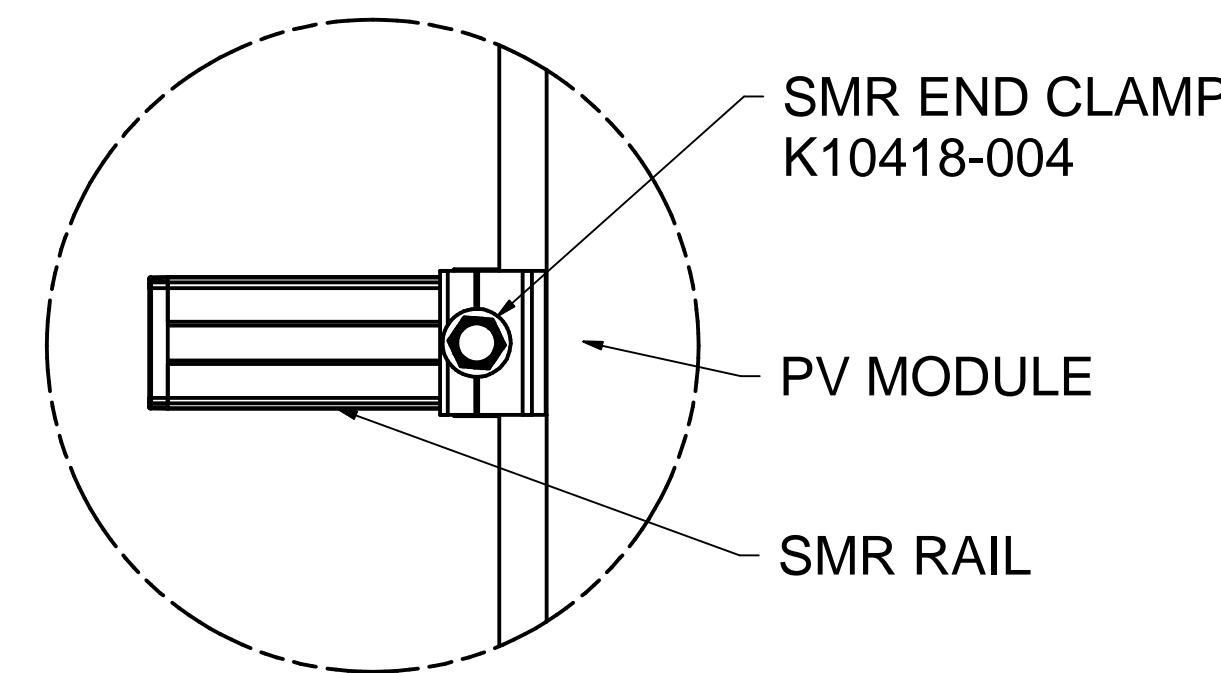
SIDE VIEW

SMR SYSTEM CORRUGATED METAL ROOF MOUNT, LANDSCAPE MODULE

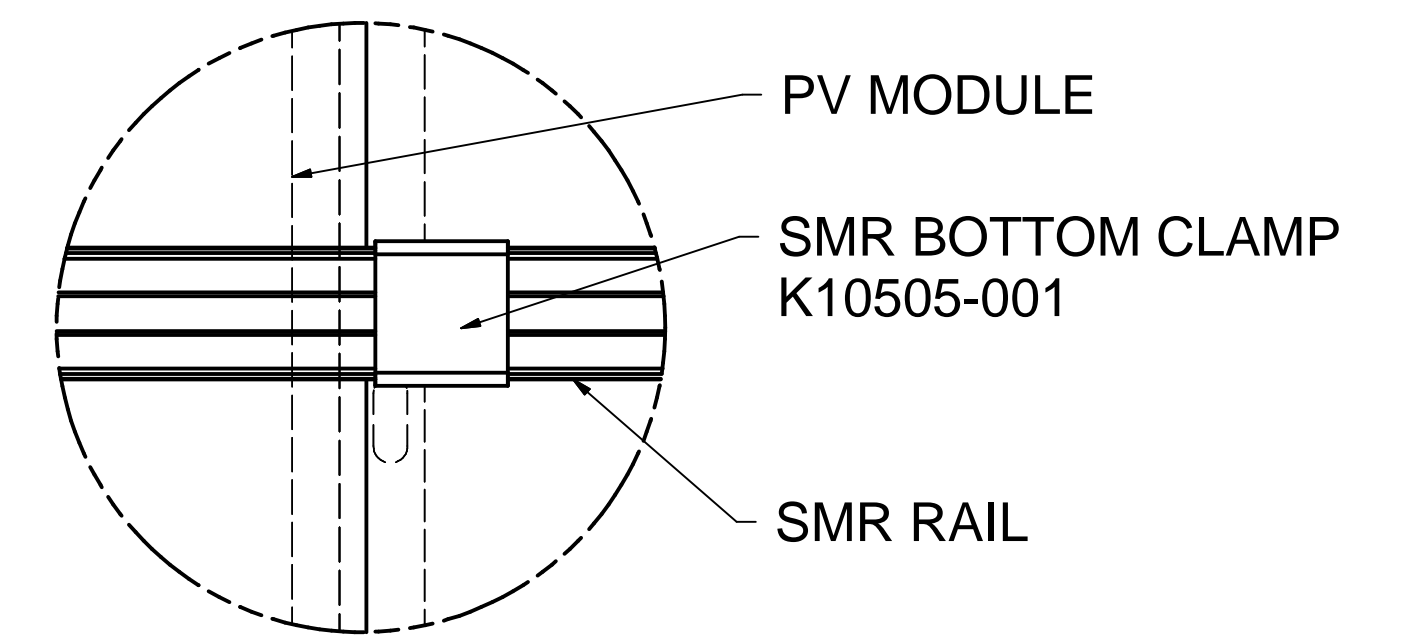


FRONT VIEW

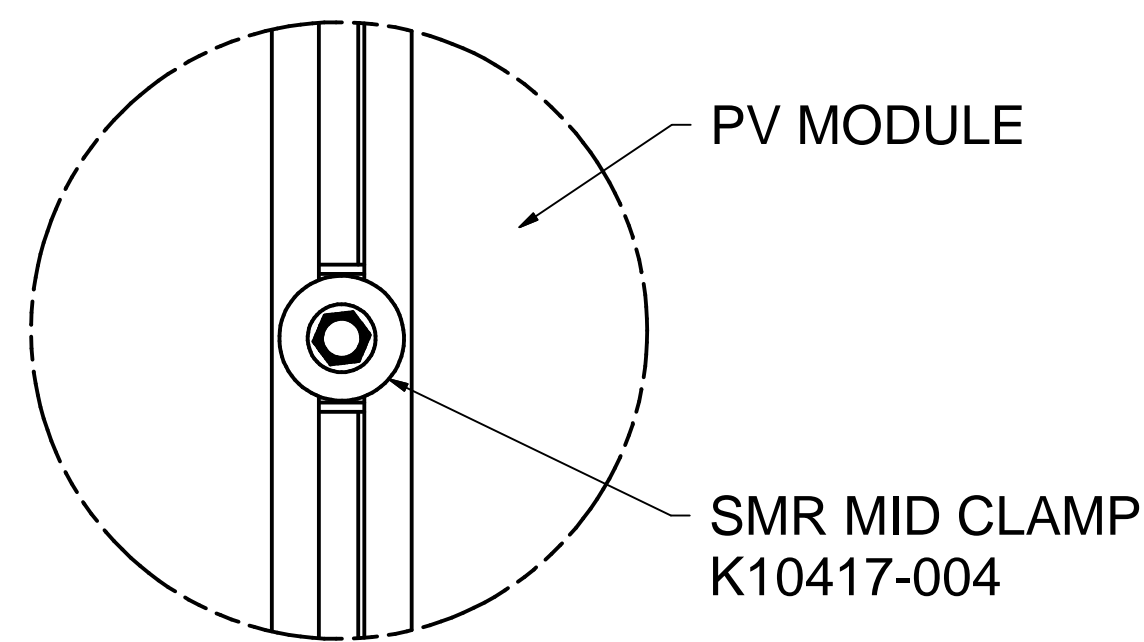
SMR SYSTEM CORRUGATED METAL ROOF MOUNT, LANDSCAPE MODULE



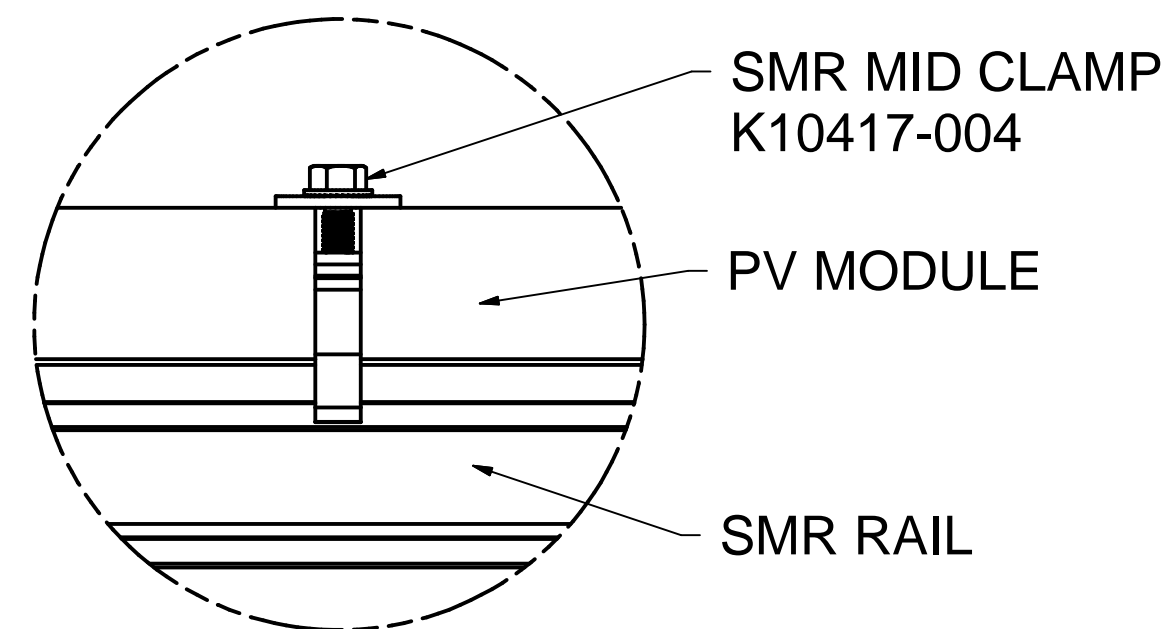
DETAIL E



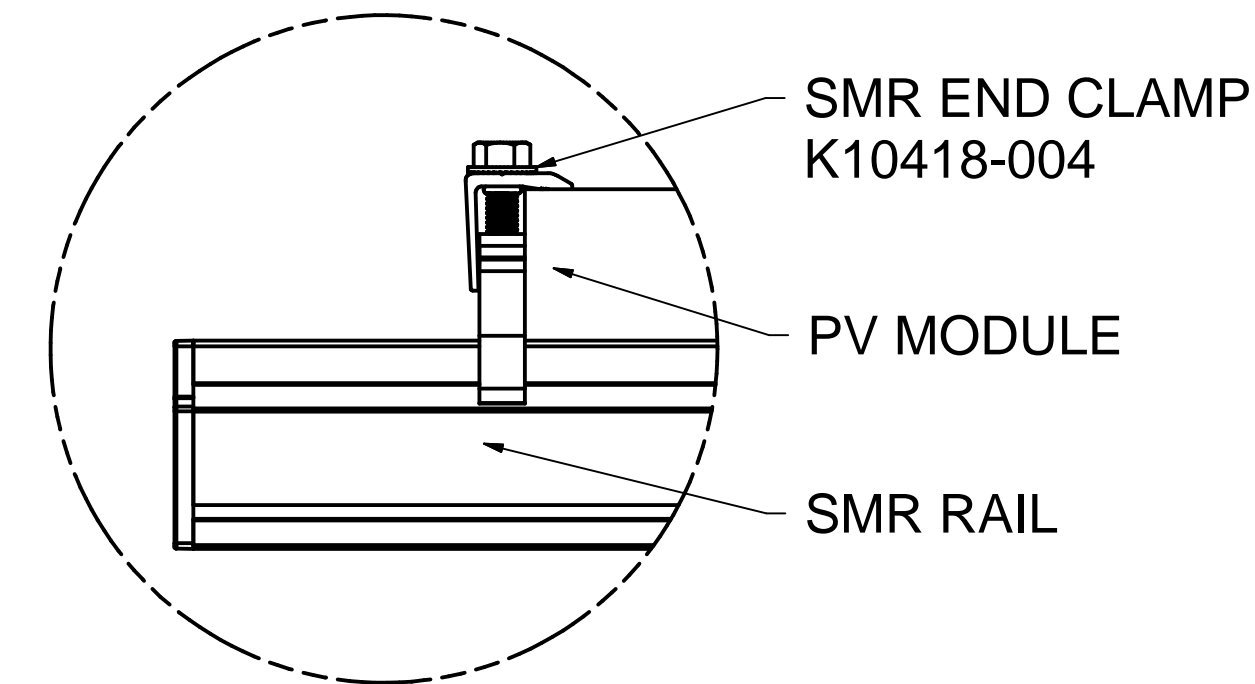
DETAIL E-ALT



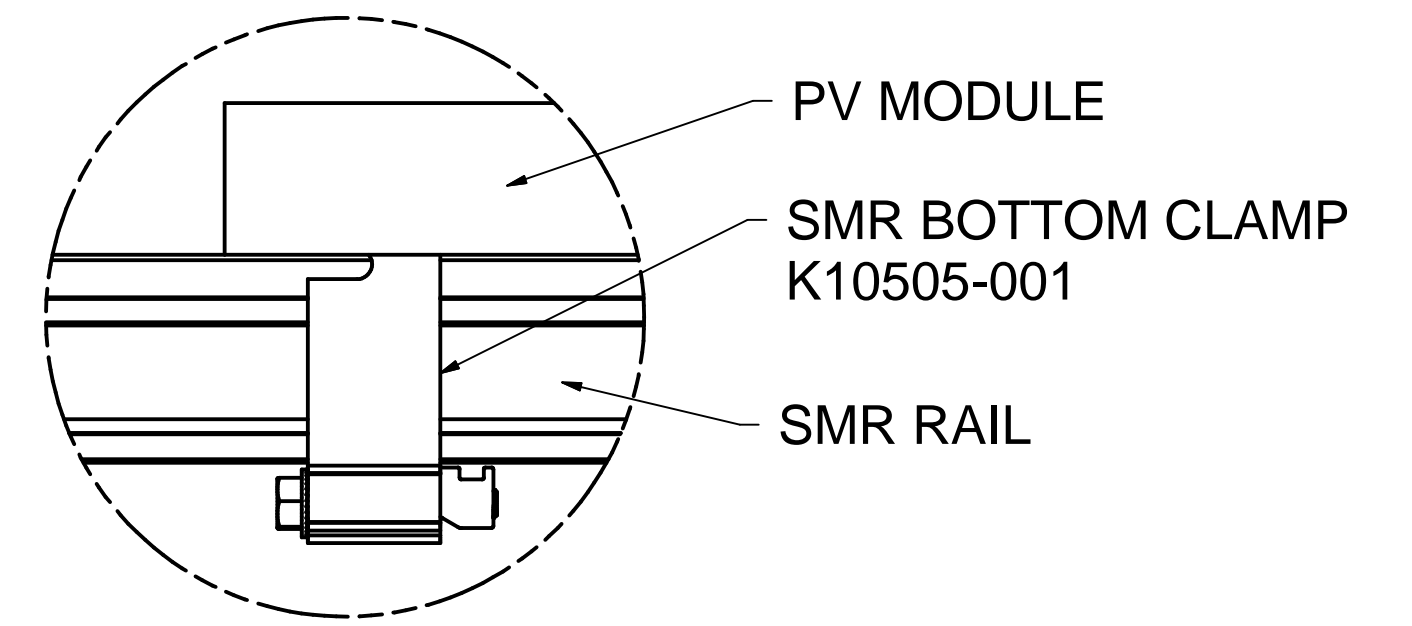
DETAIL F



DETAIL H

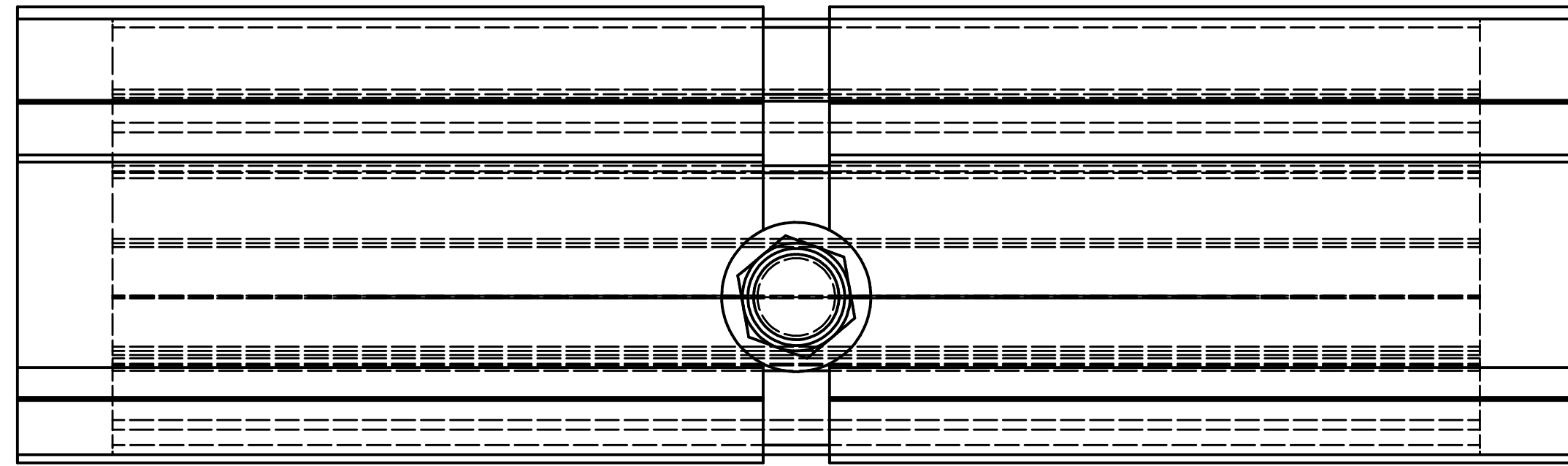


DETAIL G

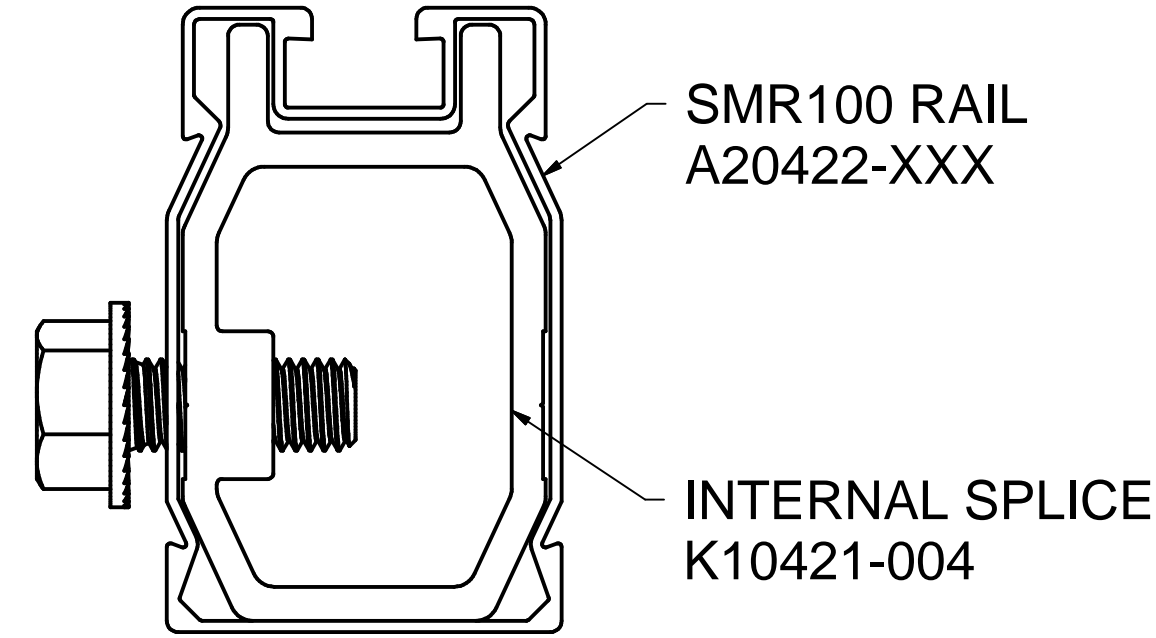


DETAIL G-ALT

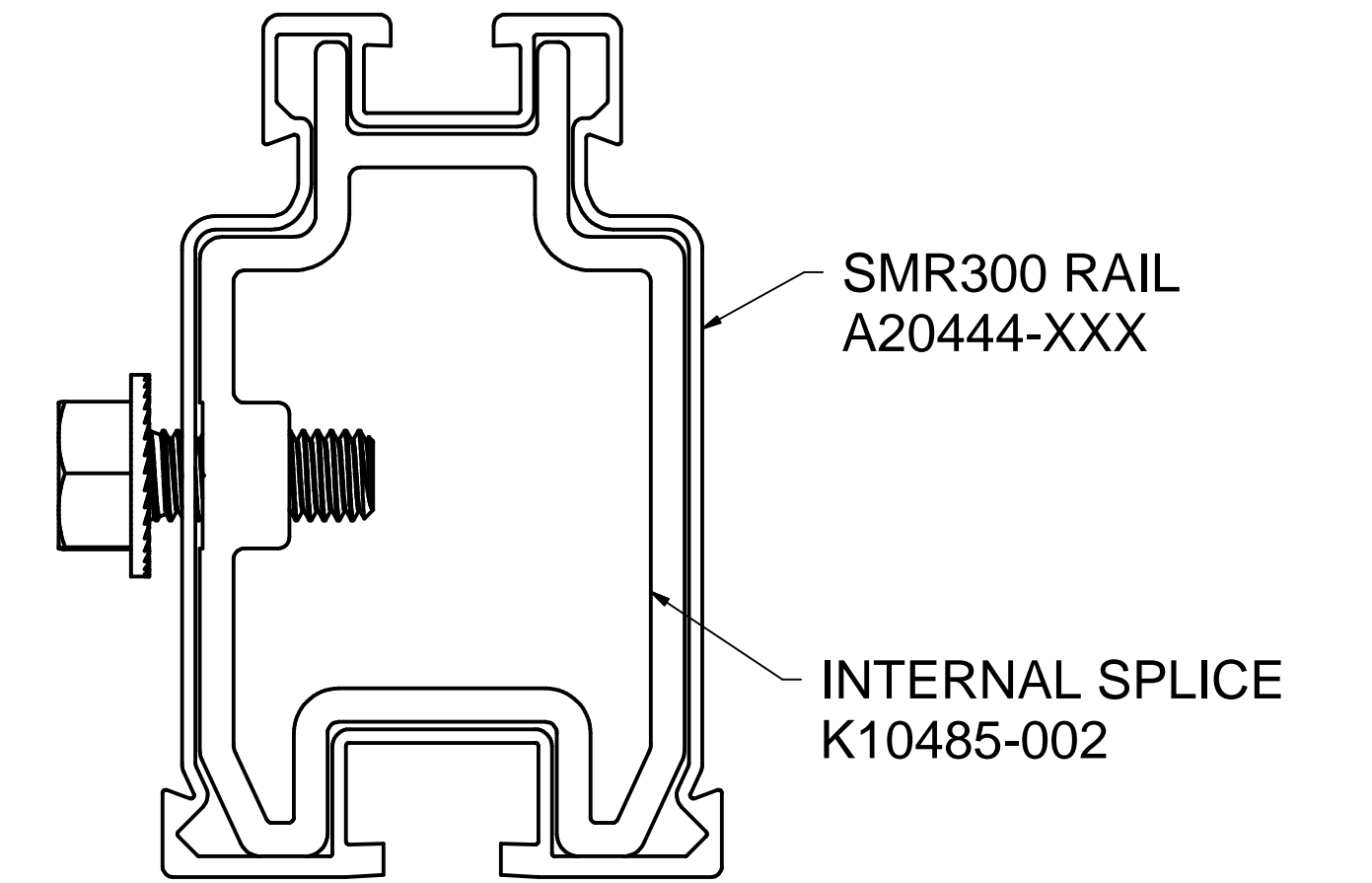
SunModo Corp.			
TITLE: SMR PITCHED ROOF SYSTEM			
DRAWING NUMBER: D10246-V2			
SCALE:	SHEET 2 of 4	REV	



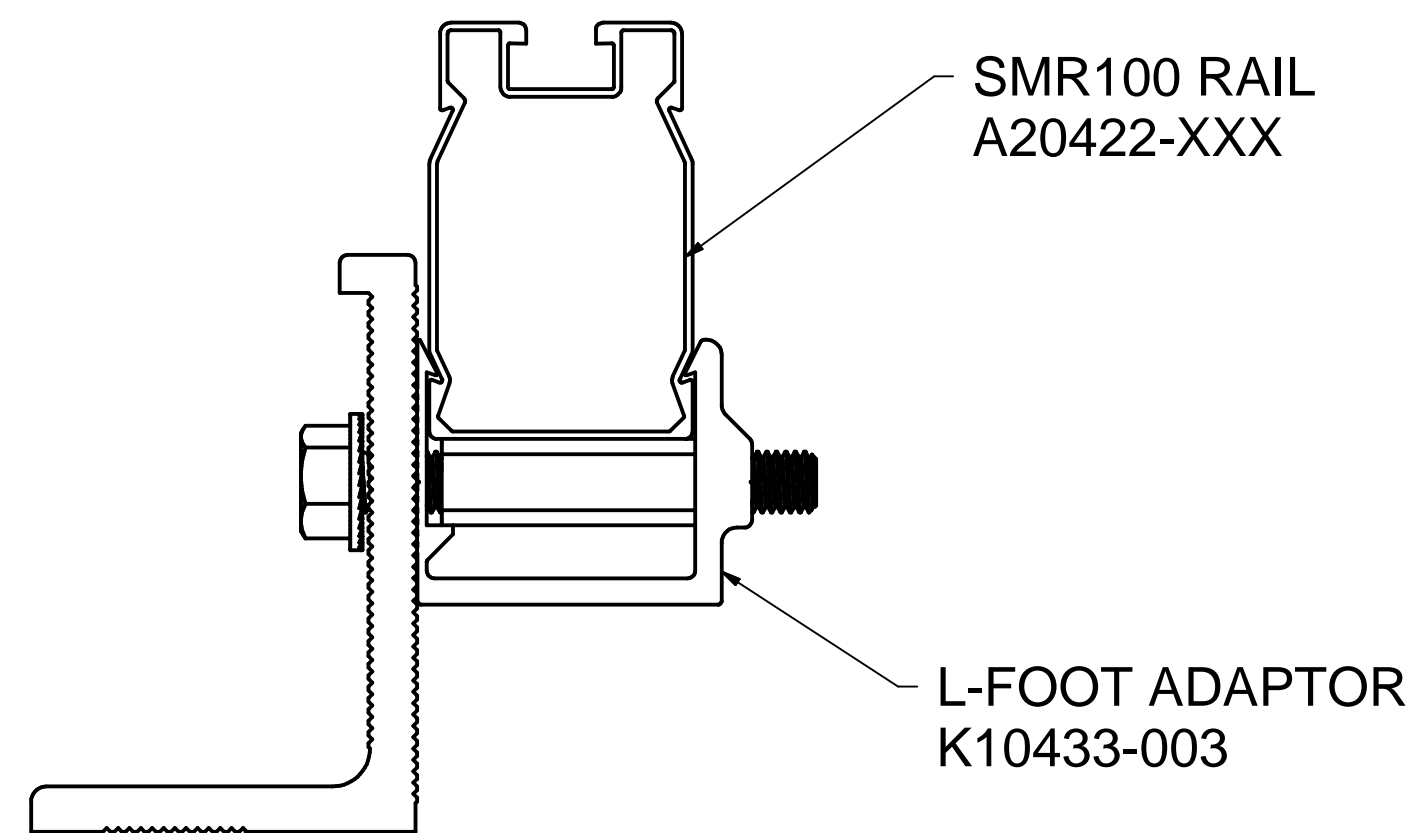
DETAIL, SPLICE CONNECTION, SMR RAIL



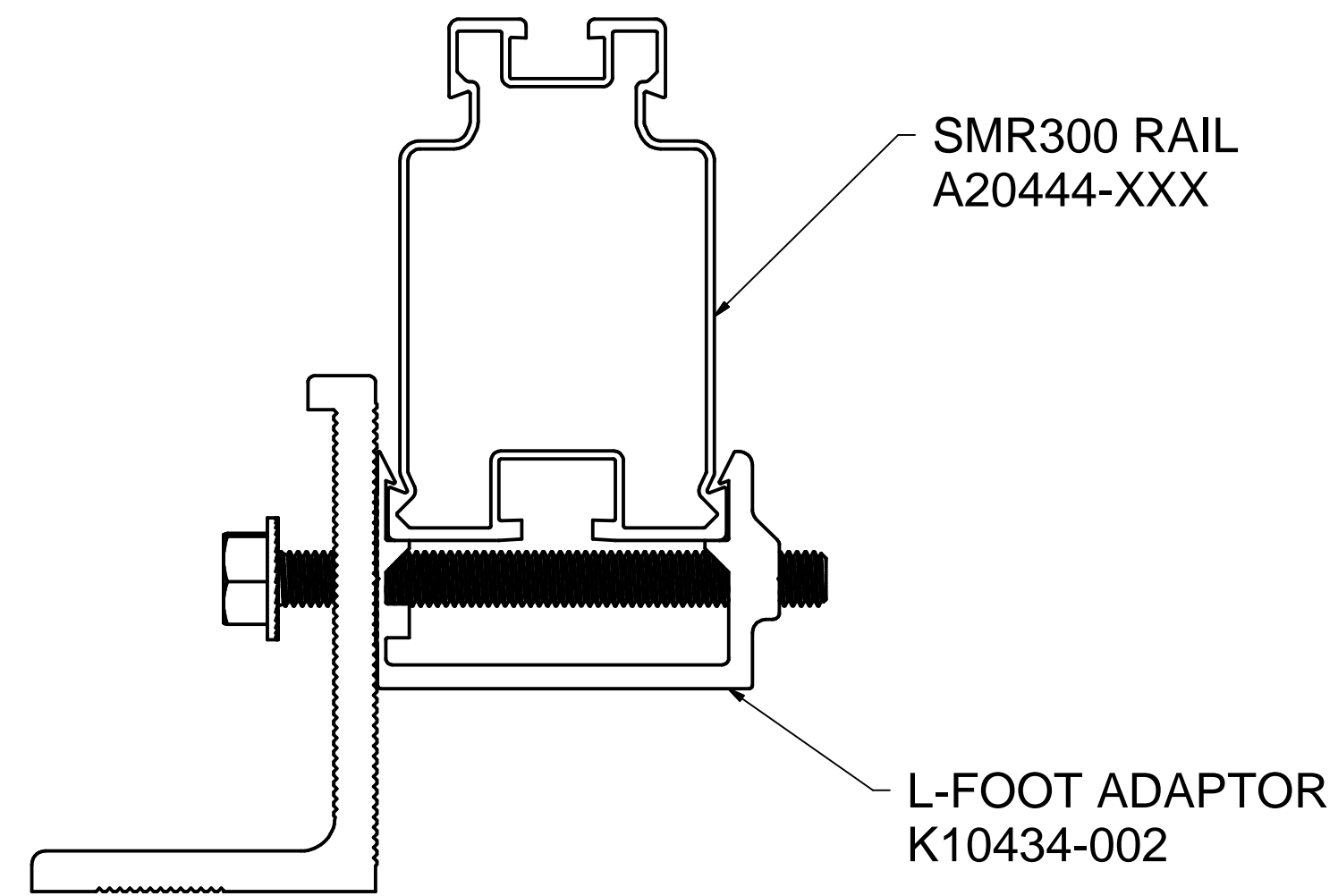
DETAIL, SPLICE, SMR100



DETAIL, SPLICE, SMR300



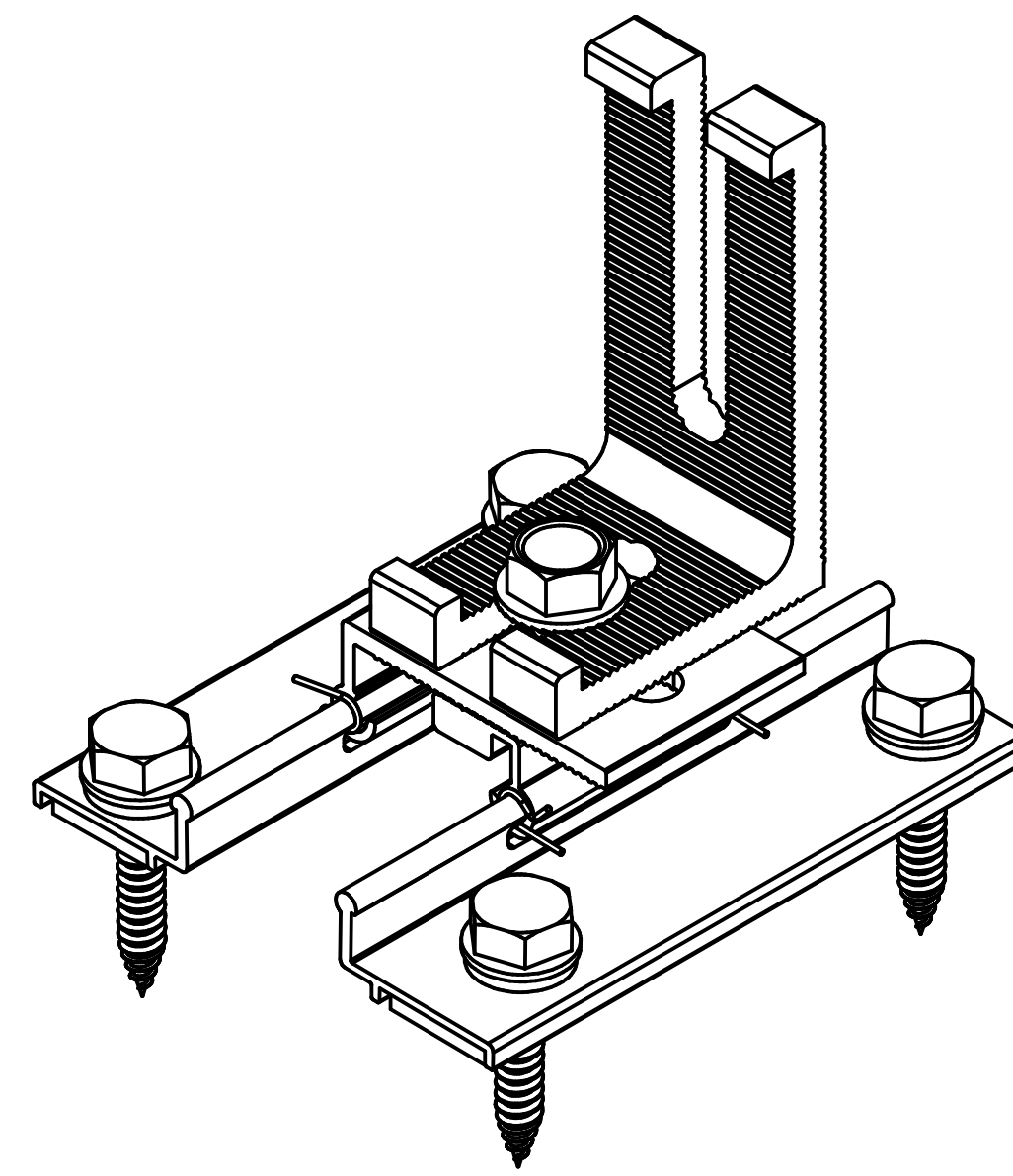
DETAIL, L-FOOT ADAPTOR, SMR100



DETAIL, L-FOOT ADAPTOR, SMR300

SunModo Corp.			
TITLE SMR PITCHED ROOF SYSTEM			
DRAWING NUMBER: D10246-V2			
SCALE:	SHEET 3 of 4	REV	

CORRUGATED METAL ROOF ATTACHMENT OPTIONS



MRB MOUNT
K50563-003

SunModo Corp.			
TITLE SMR PITCHED ROOF SYSTEM			
DRAWING NUMBER: D10246-V2			
SCALE:	SHEET 4	of 4	REV