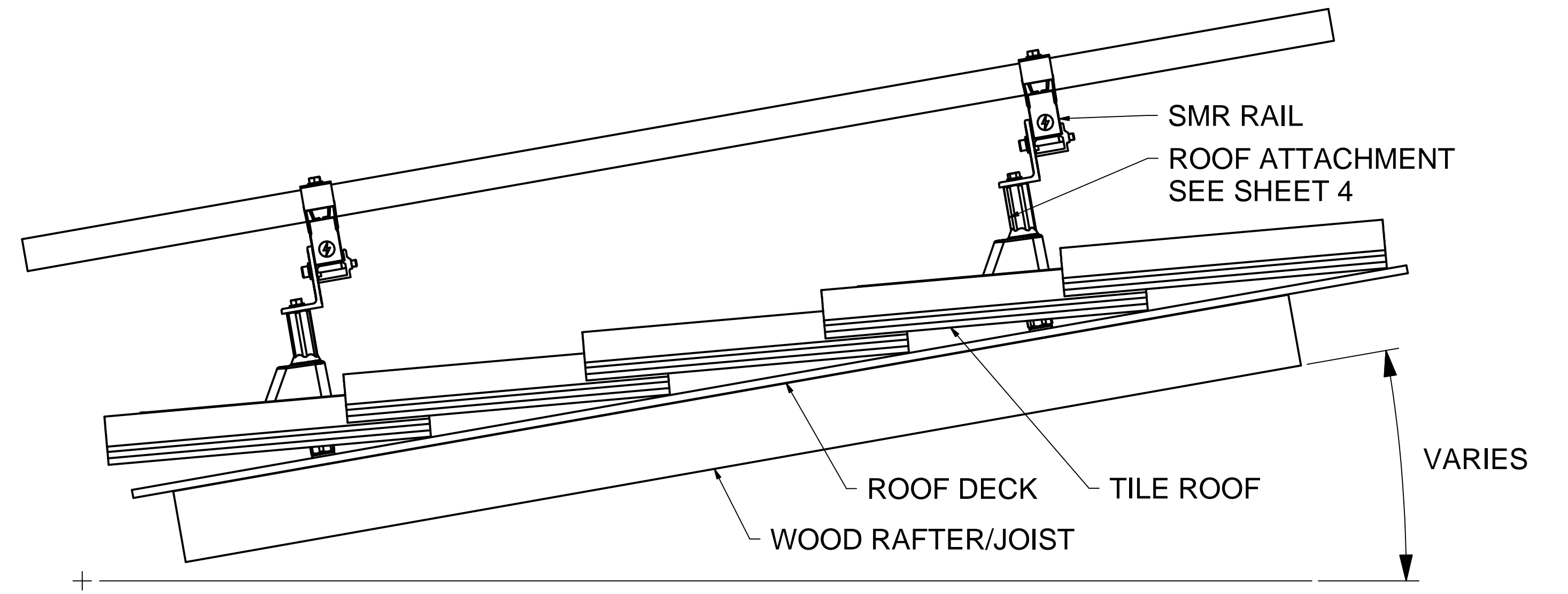
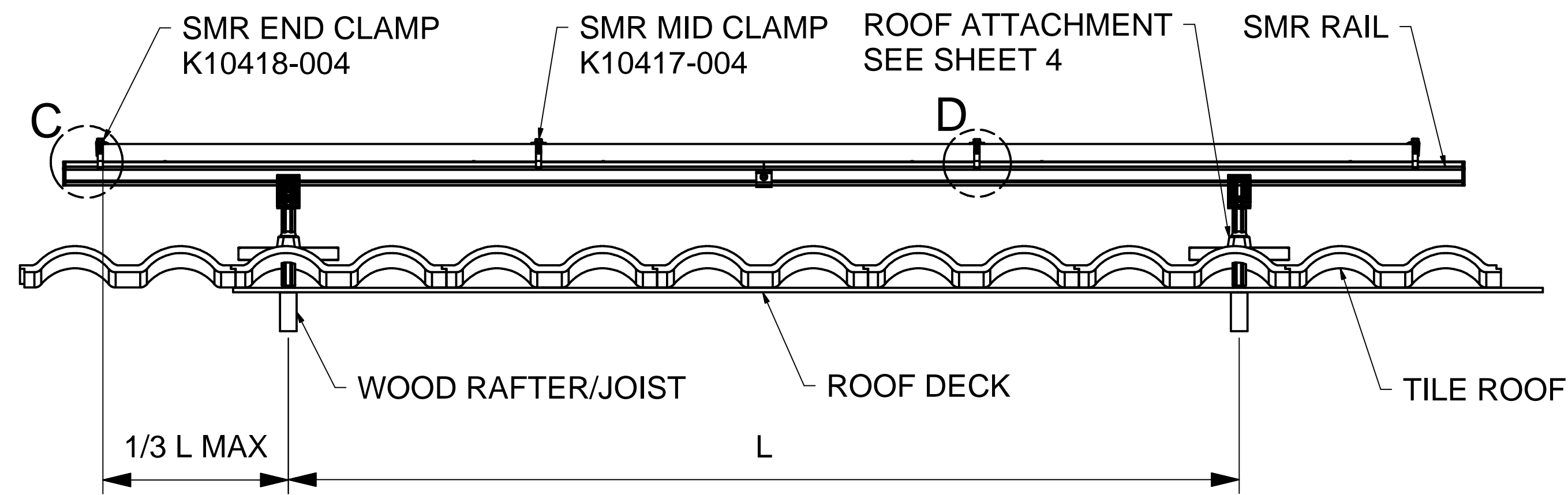


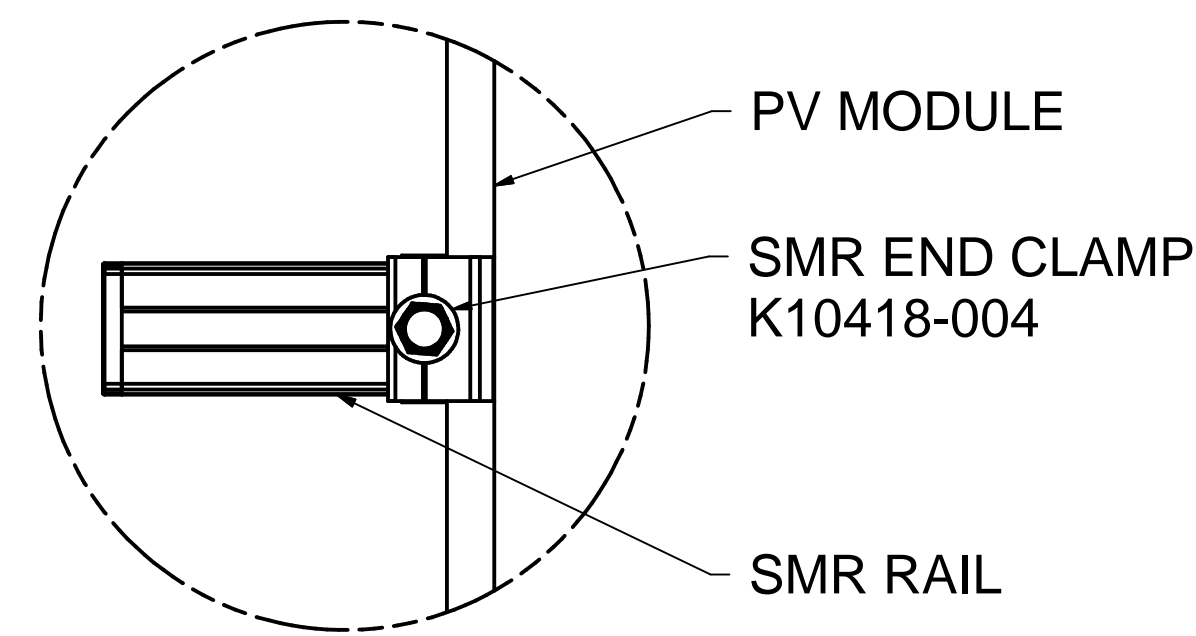
**PLAN VIEW, SMR SYSTEM TILE ROOF MOUNT, PORTRAIT MODULE**



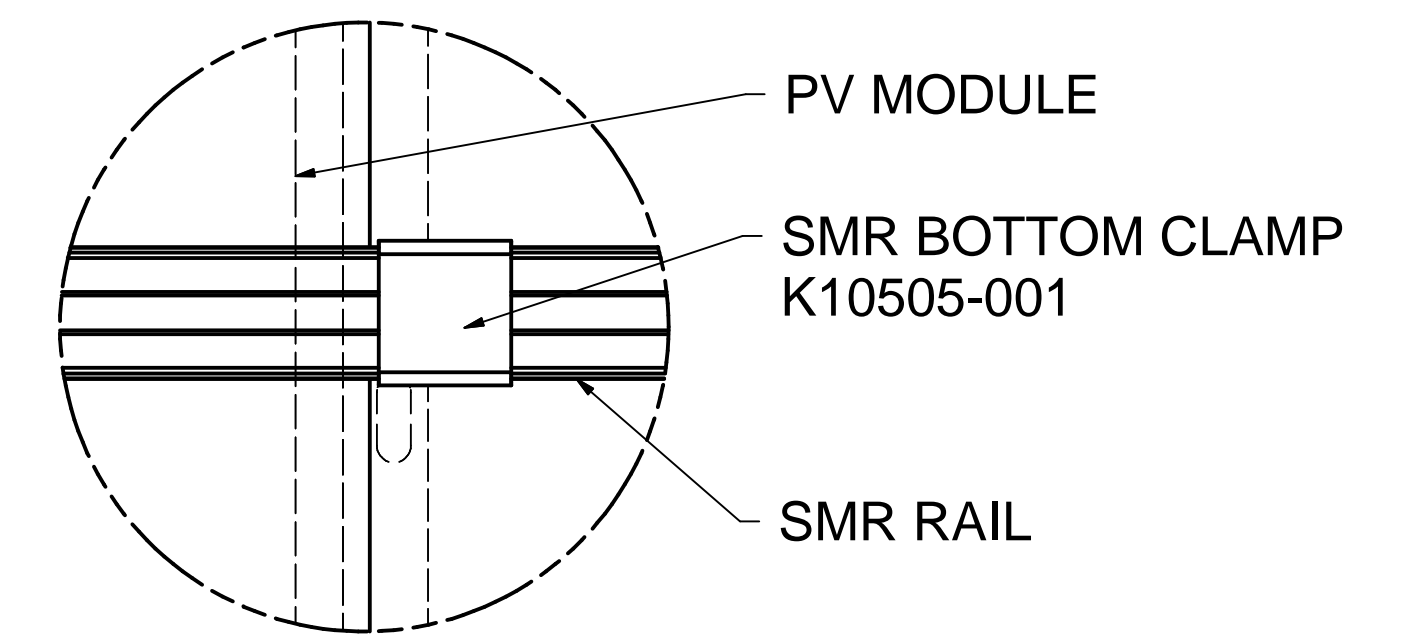
**SIDE VIEW, SMR SYSTEM TILE ROOF MOUNT, PORTRAIT MODULE**



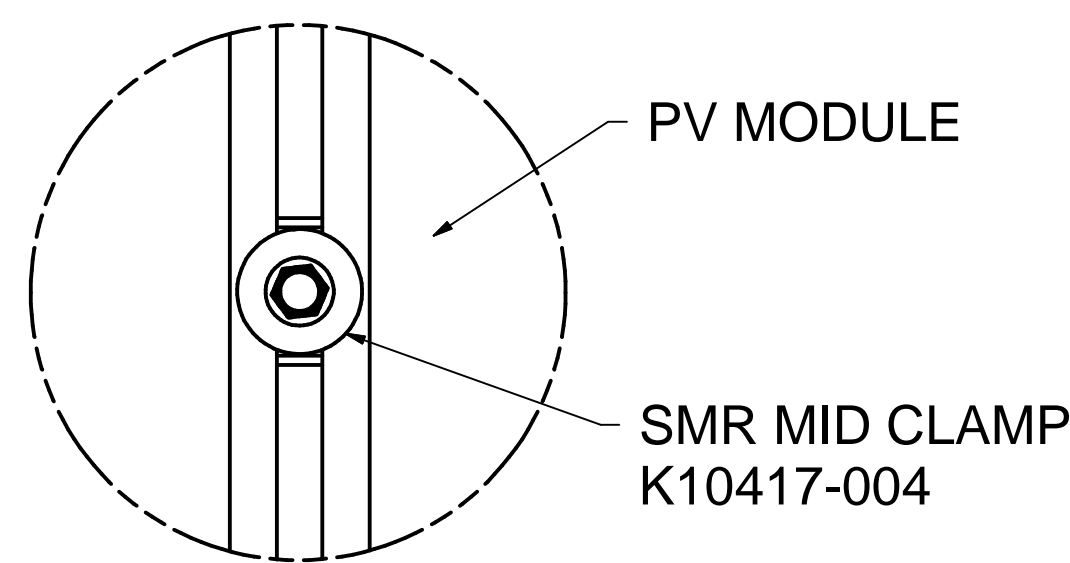
**FRONT VIEW, SMR SYSTEM TILE ROOF MOUNT, PORTRAIT MODULE**



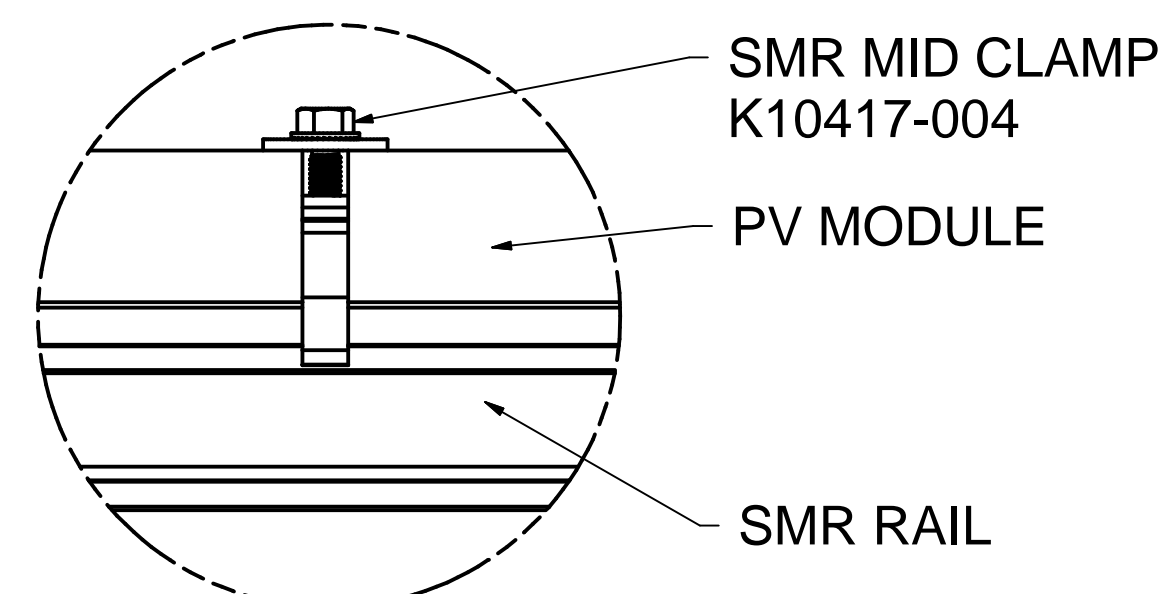
**DETAIL A**



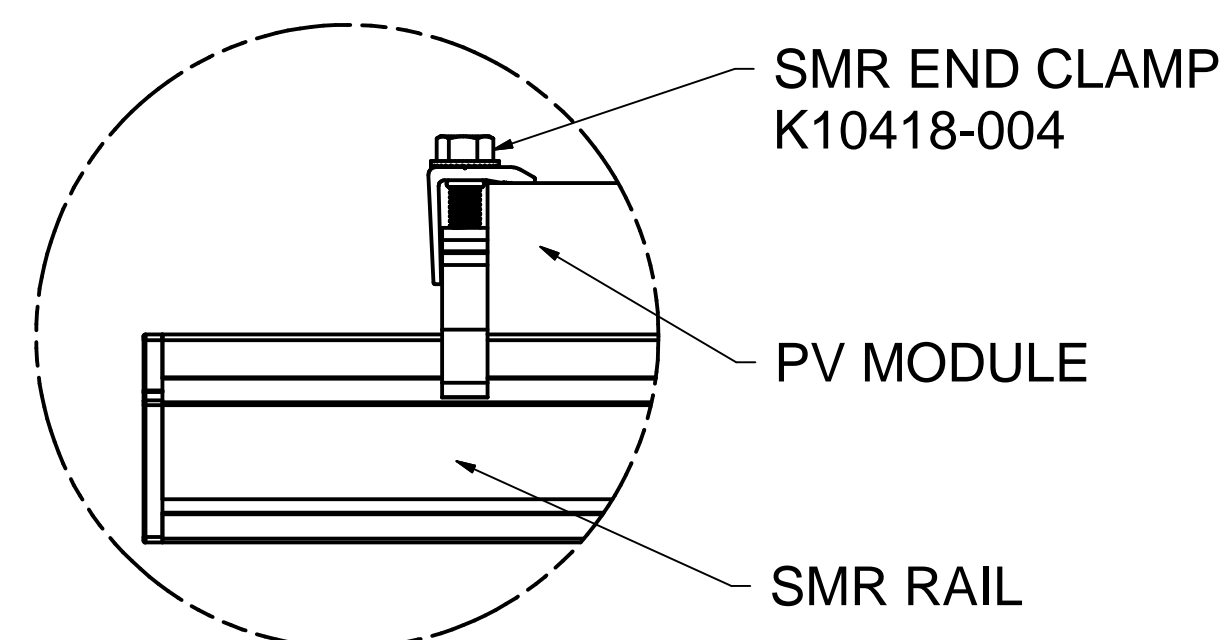
**DETAIL A-ALT**



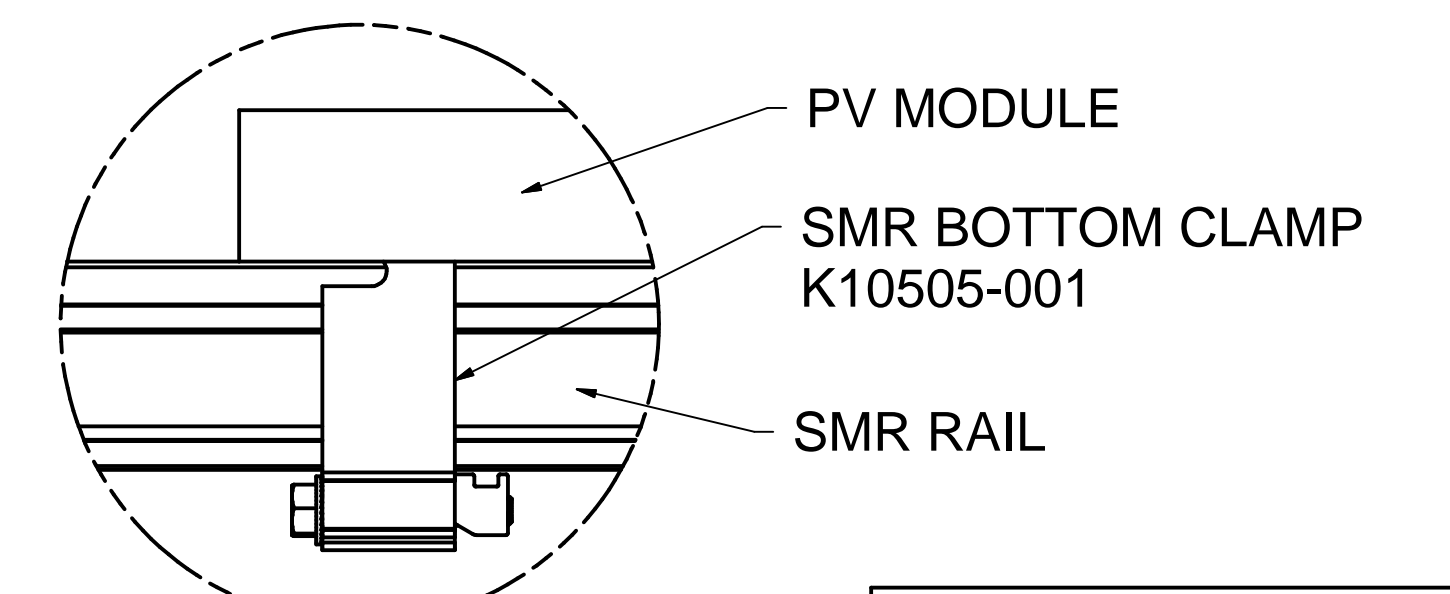
**DETAIL B**



**DETAIL D**

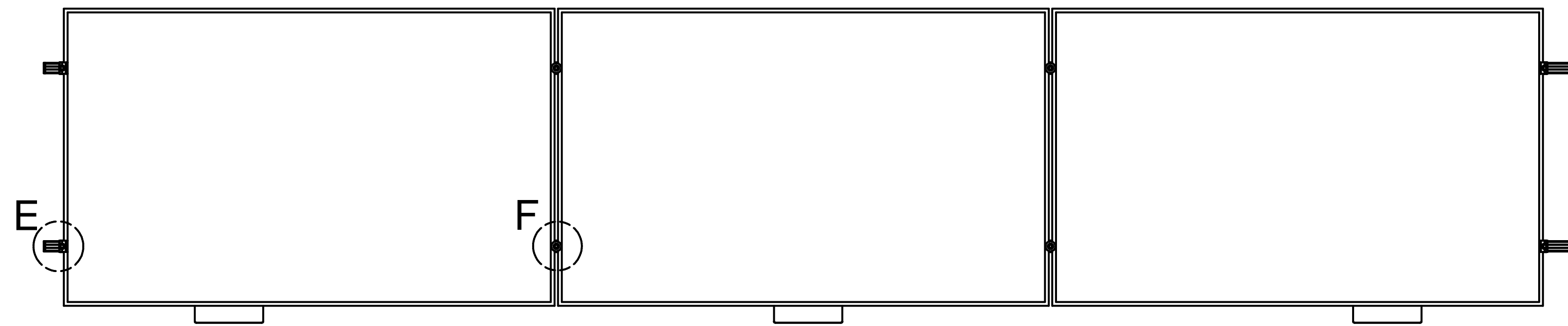


**DETAIL C**

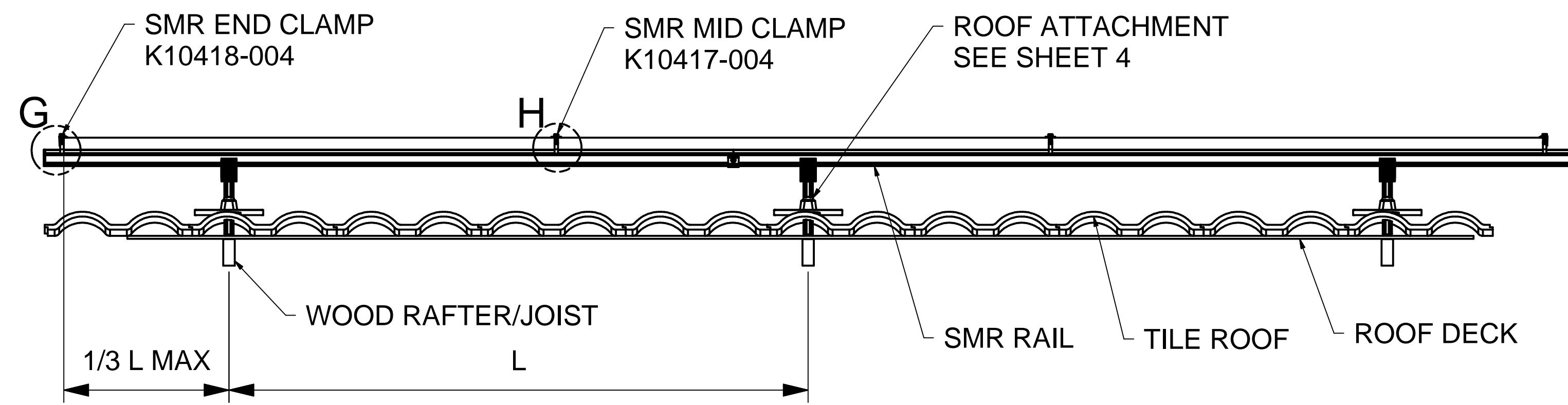


**DETAIL C-ALT**

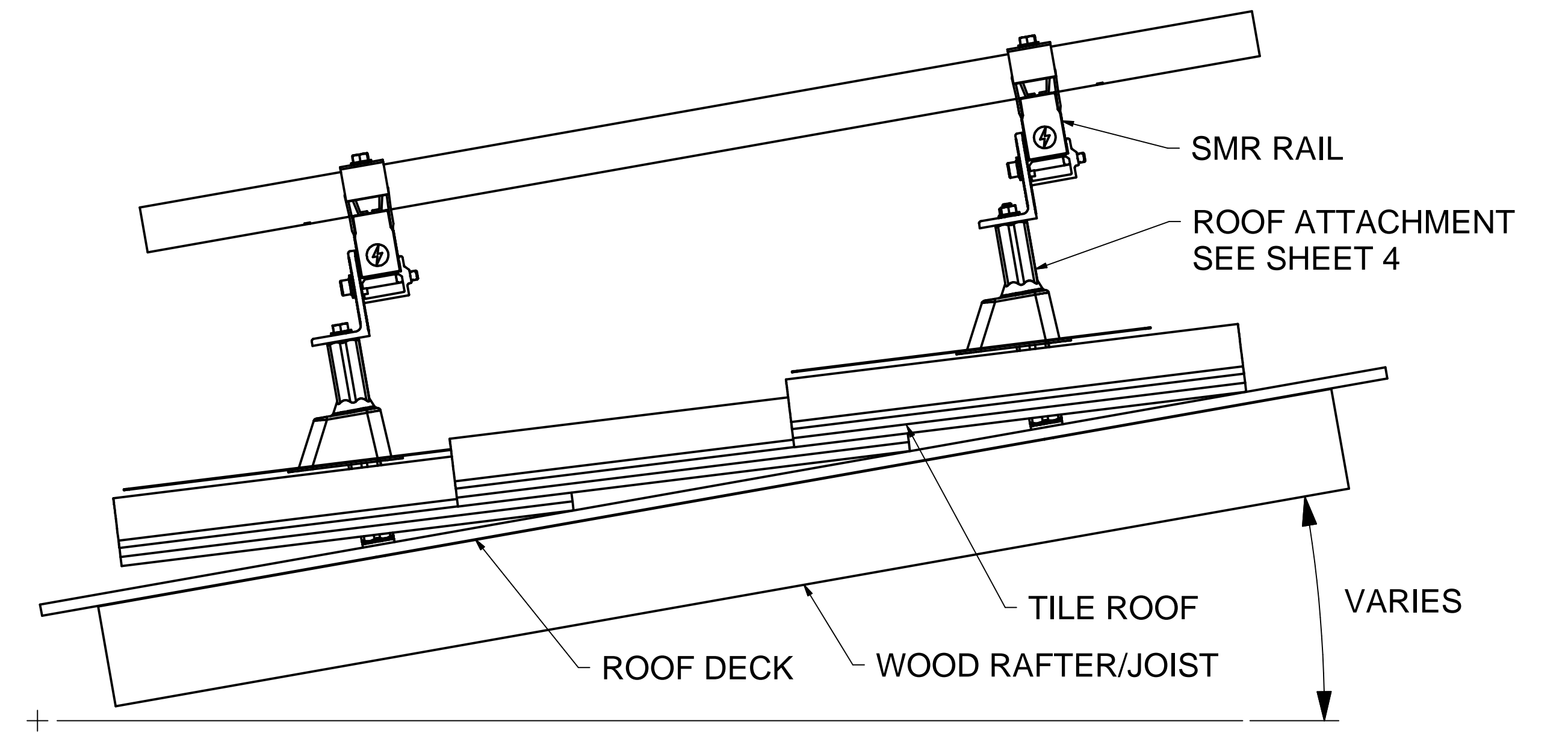
<b>SunModo Corp.</b>			
TITLE: SMR PITCHED ROOF SYSTEM			
DRAWING NUMBER: D10240-V2			
SCALE:	SHEET 1 of 4	REV	



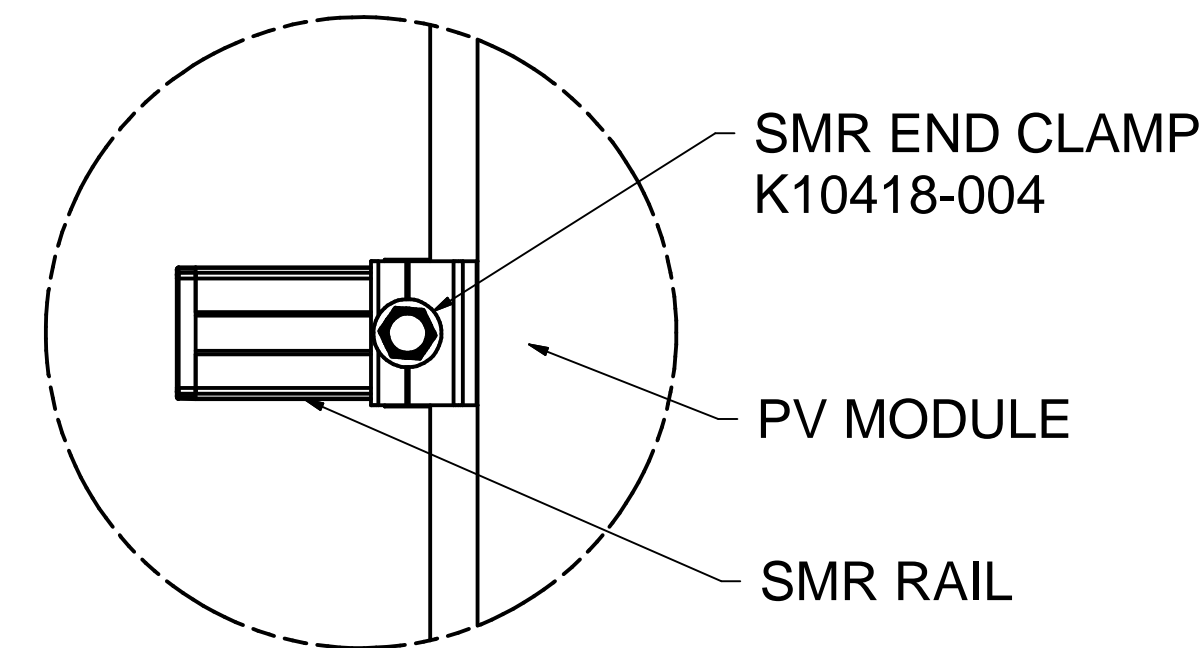
**PLAN VIEW, SMR SYSTEM TILE ROOF MOUNT, LANDSCAPE MODULE**



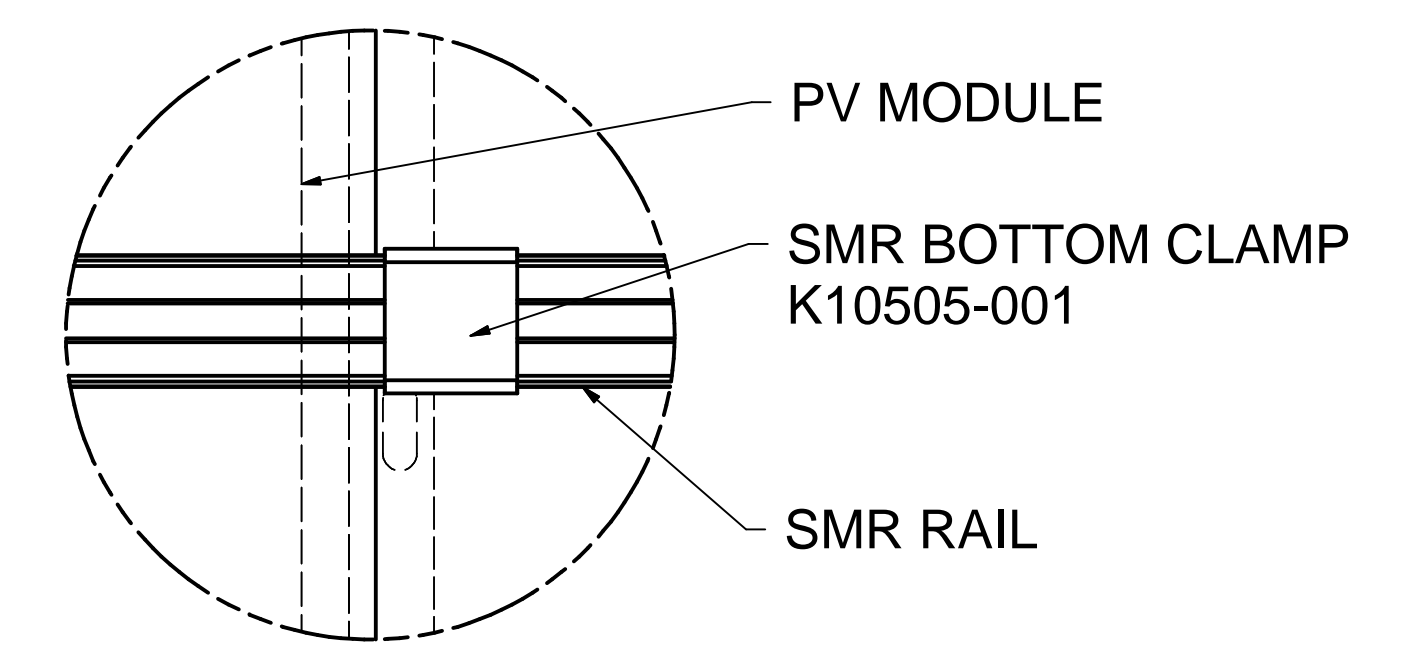
**FRONT VIEW, SMR SYSTEM TILE ROOF MOUNT, LANDSCAPE MODULE**



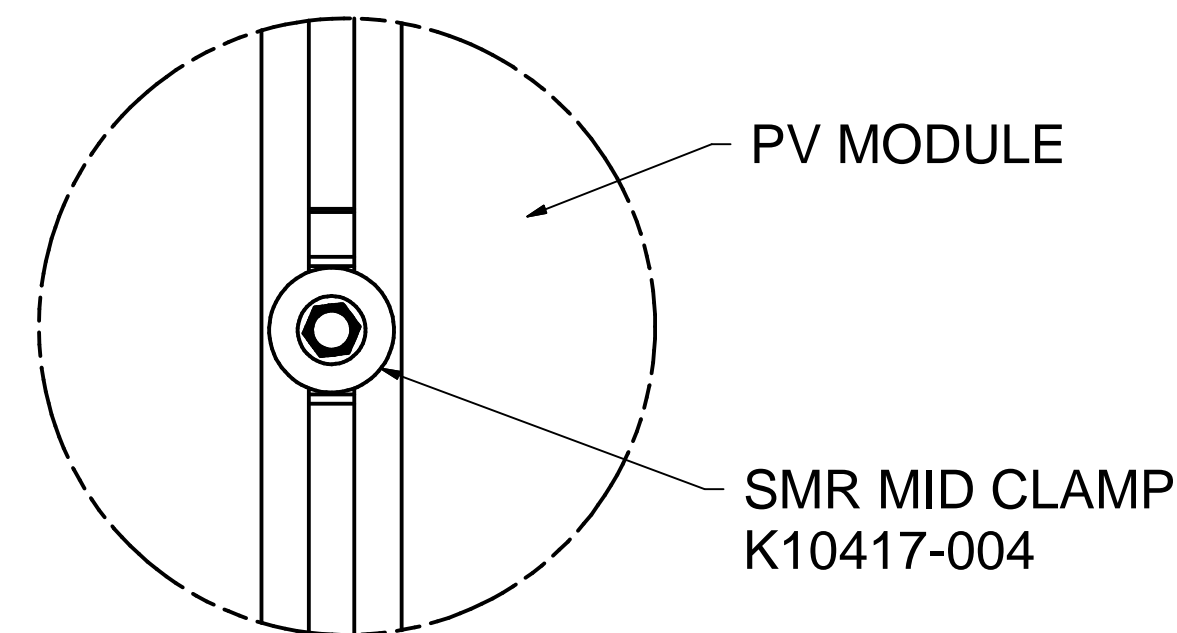
**SIDE VIEW, SMR SYSTEM TILE ROOF MOUNT, LANDSCAPE MODULE**



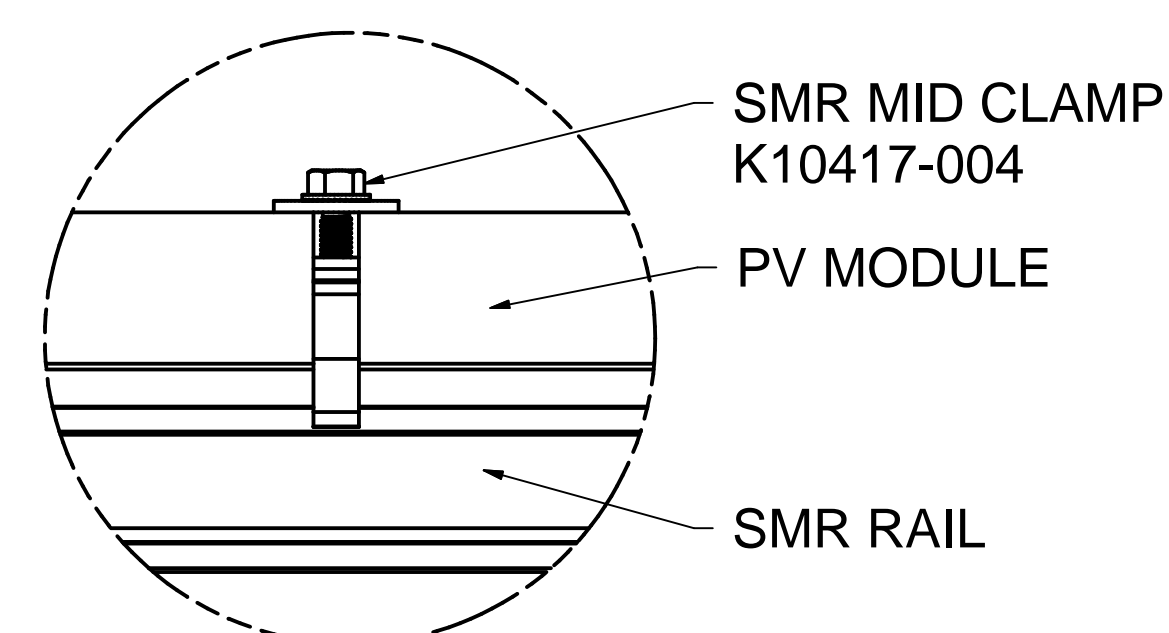
**DETAIL E**



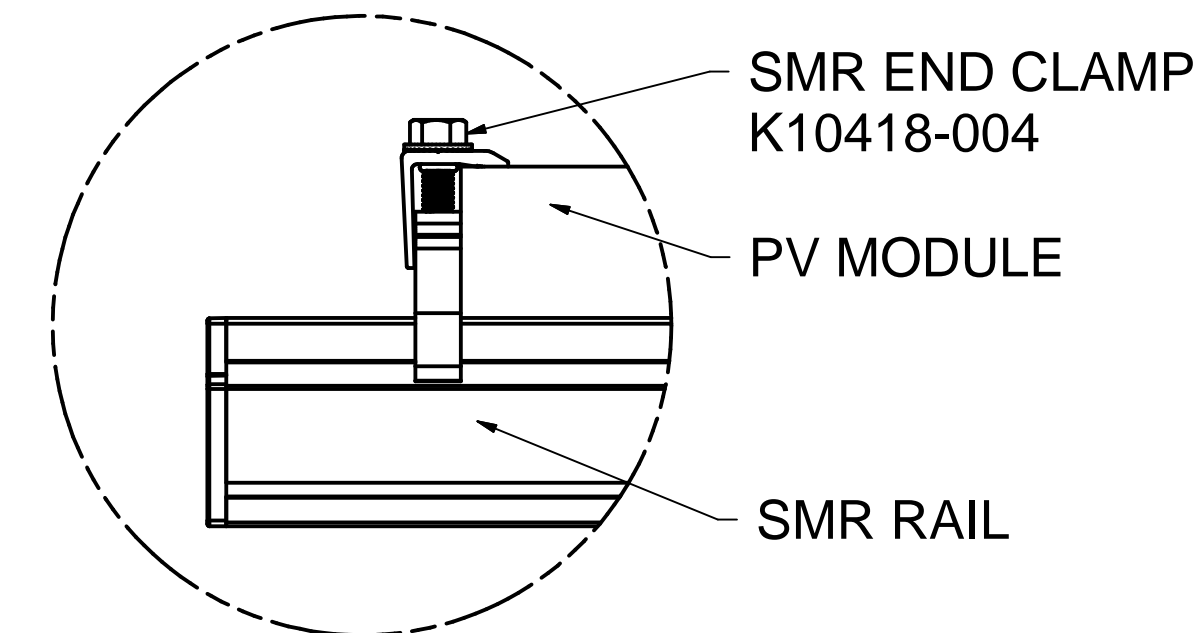
**DETAIL E-ALT**



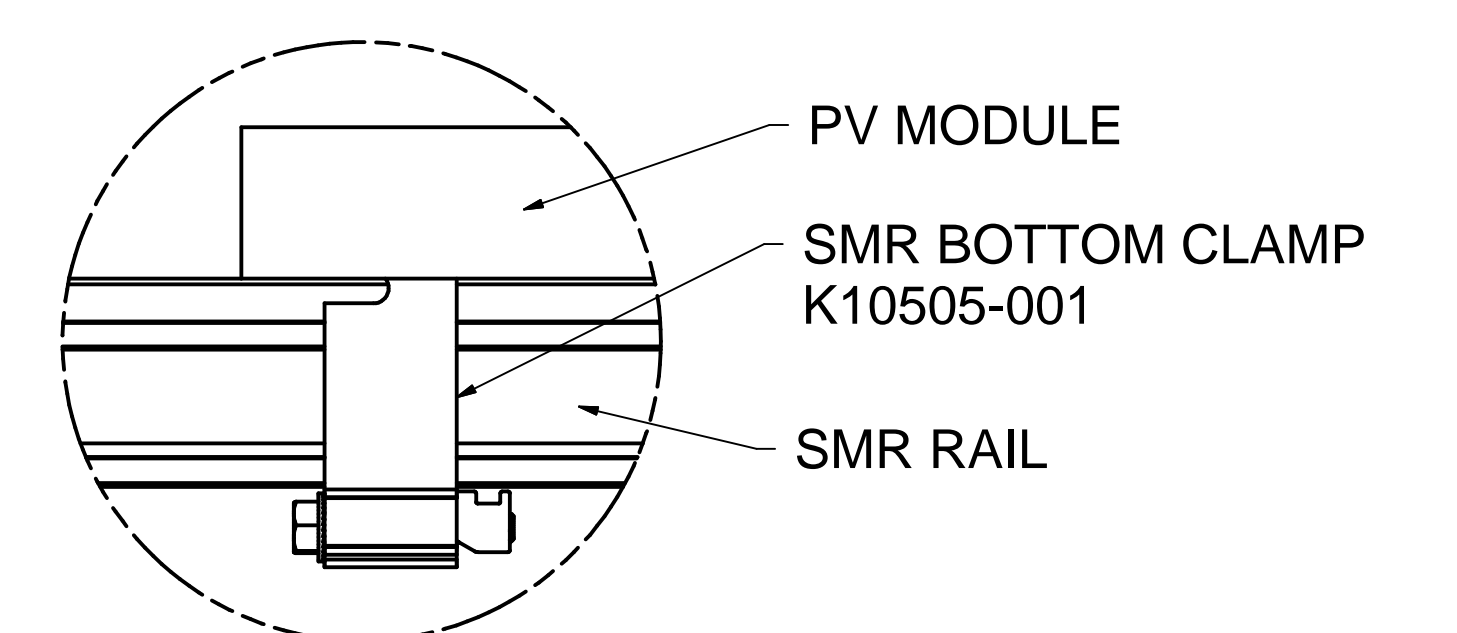
**DETAIL F**



**DETAIL H**

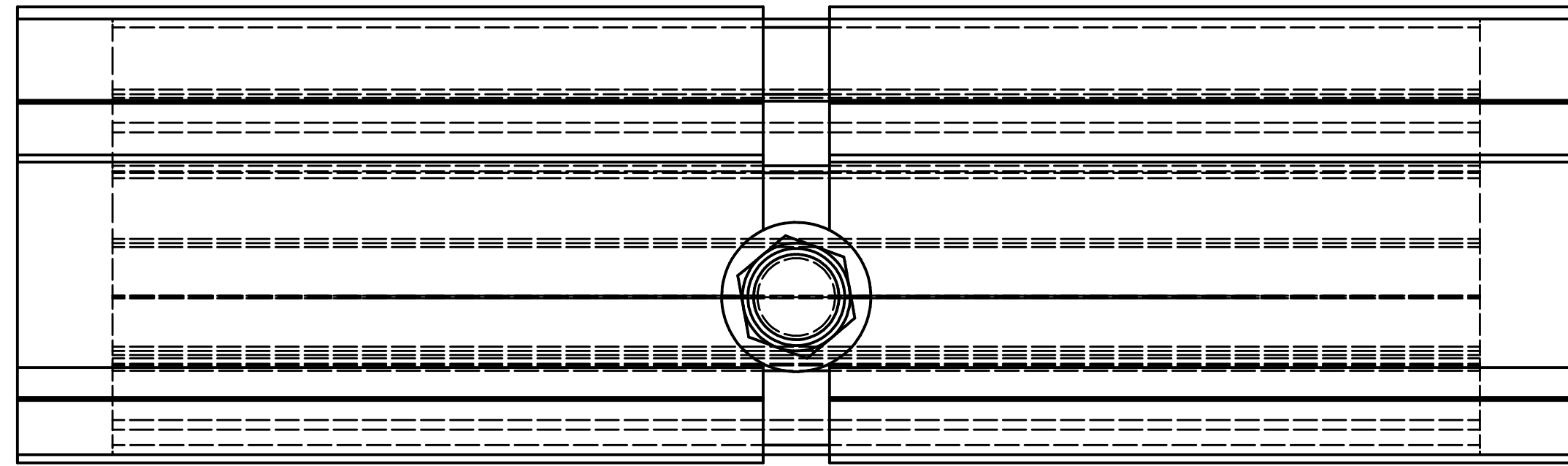


**DETAIL G**

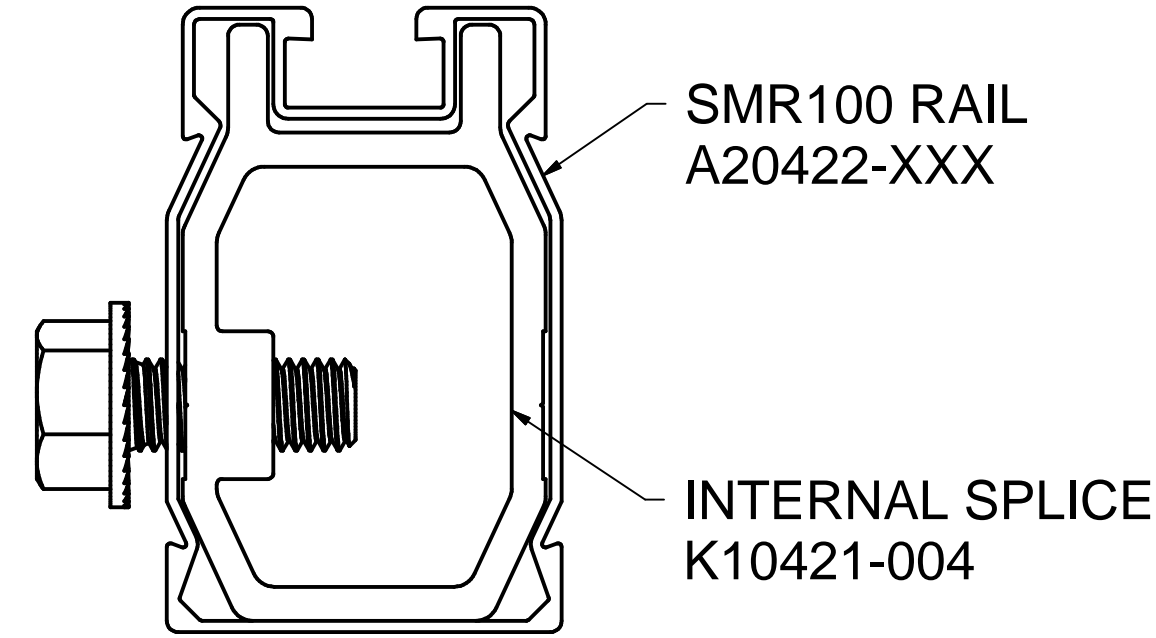


**DETAIL G-ALT**

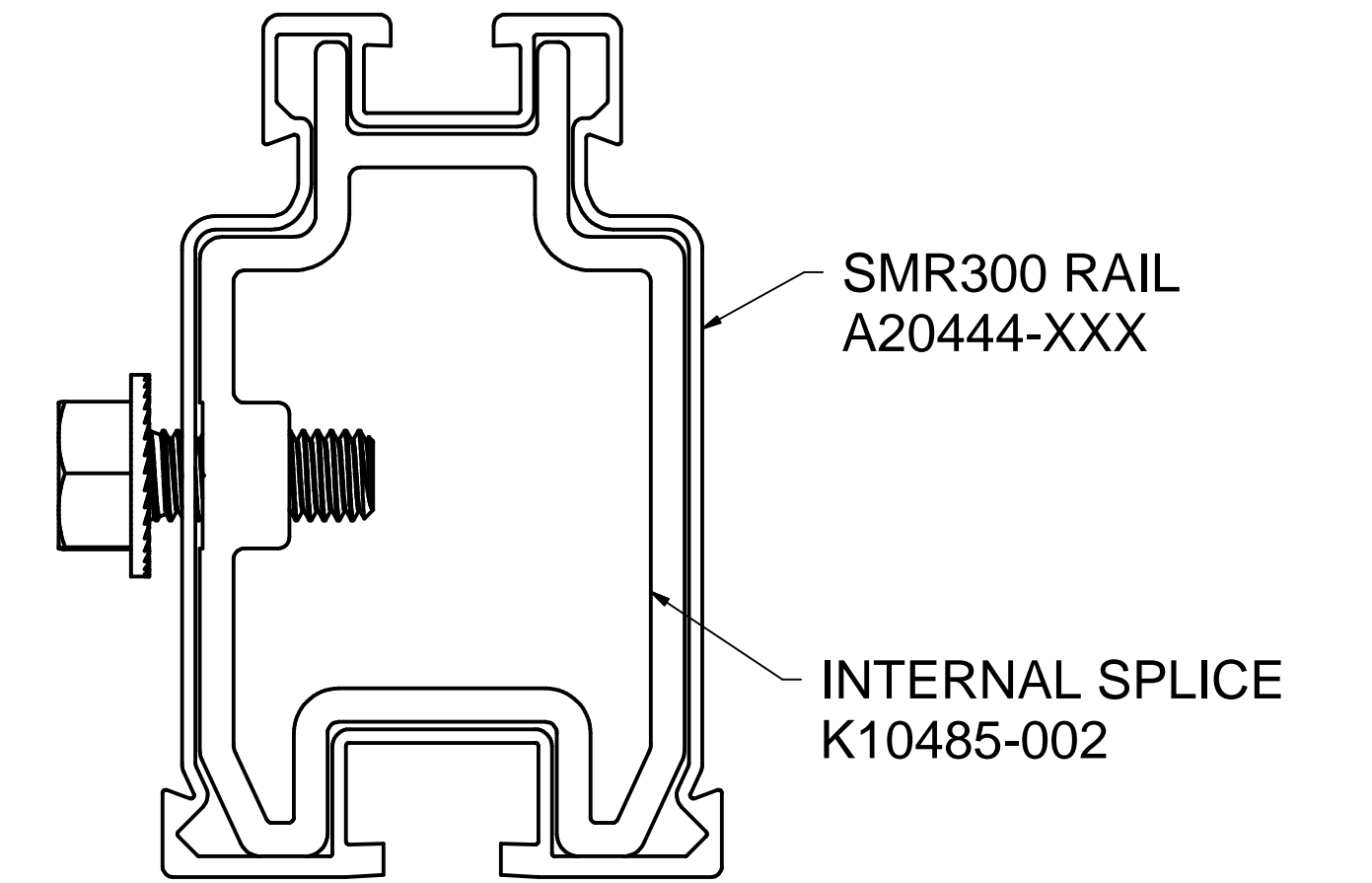
<b>SunModo Corp.</b>			
TITLE: SMR PITCHED ROOF SYSTEM			
DRAWING NUMBER: D10240-V2			
SCALE:	SHEET 2 of 4	REV	



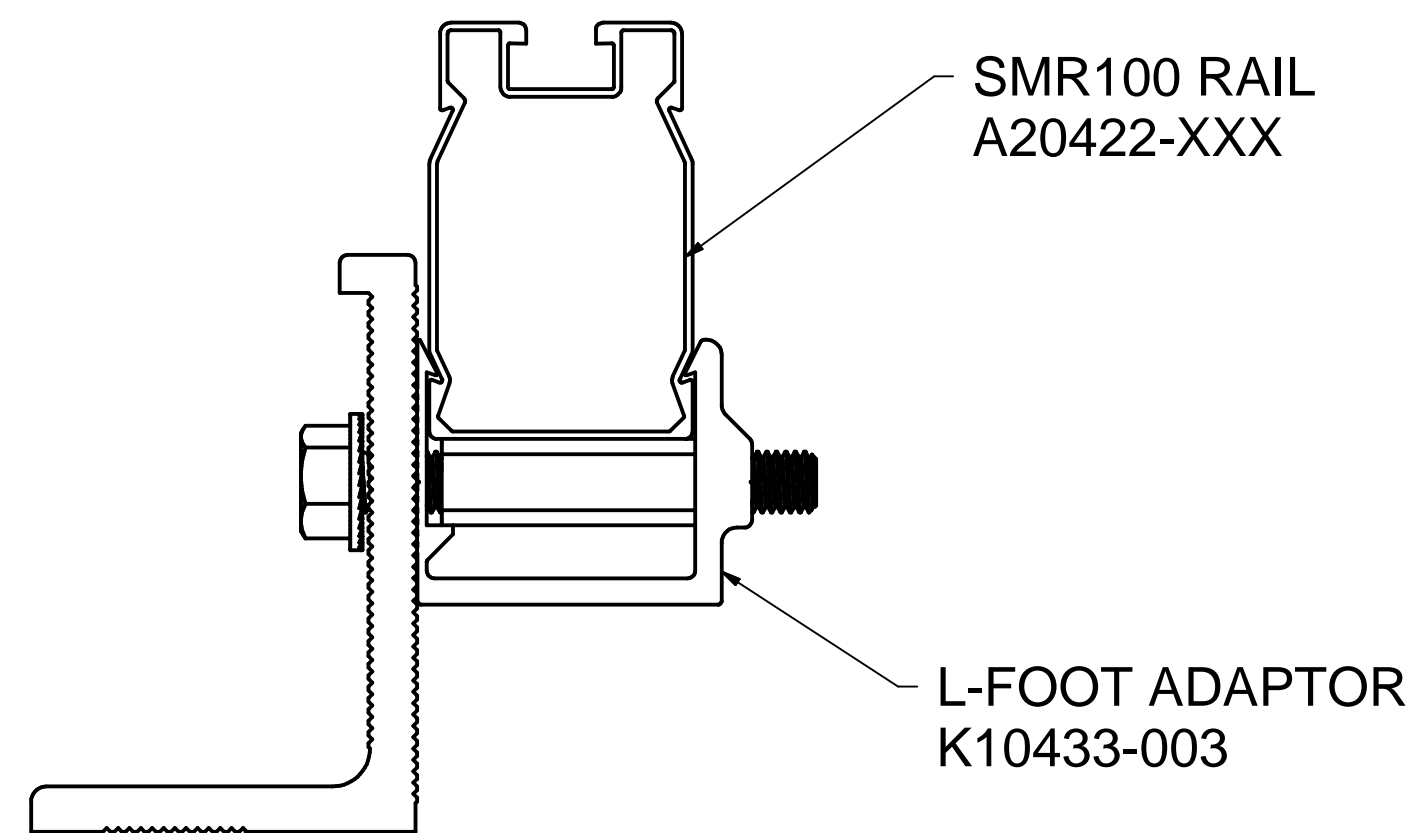
DETAIL, SPLICE CONNECTION, SMR RAIL



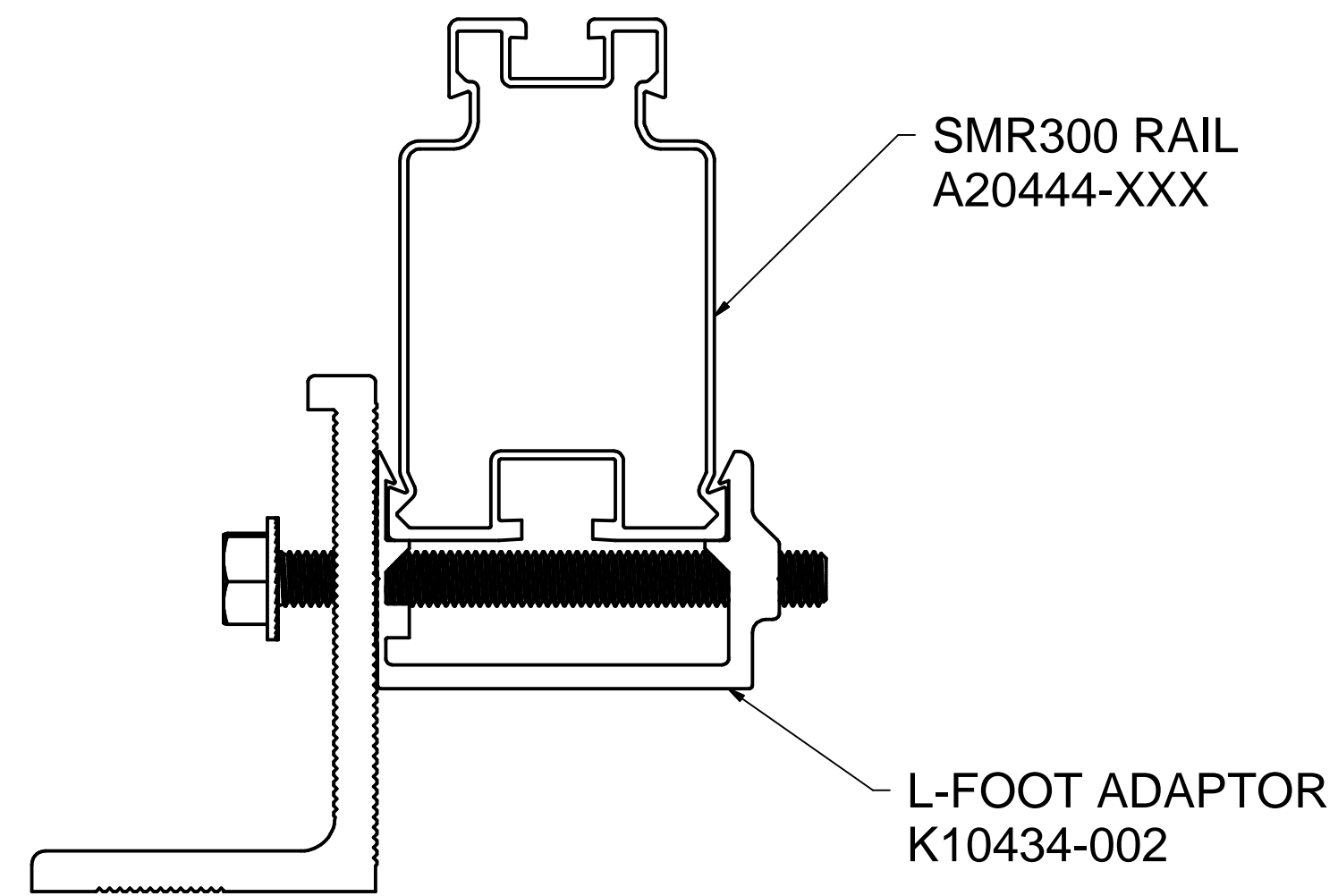
DETAIL, SPLICE, SMR100



DETAIL, SPLICE, SMR300



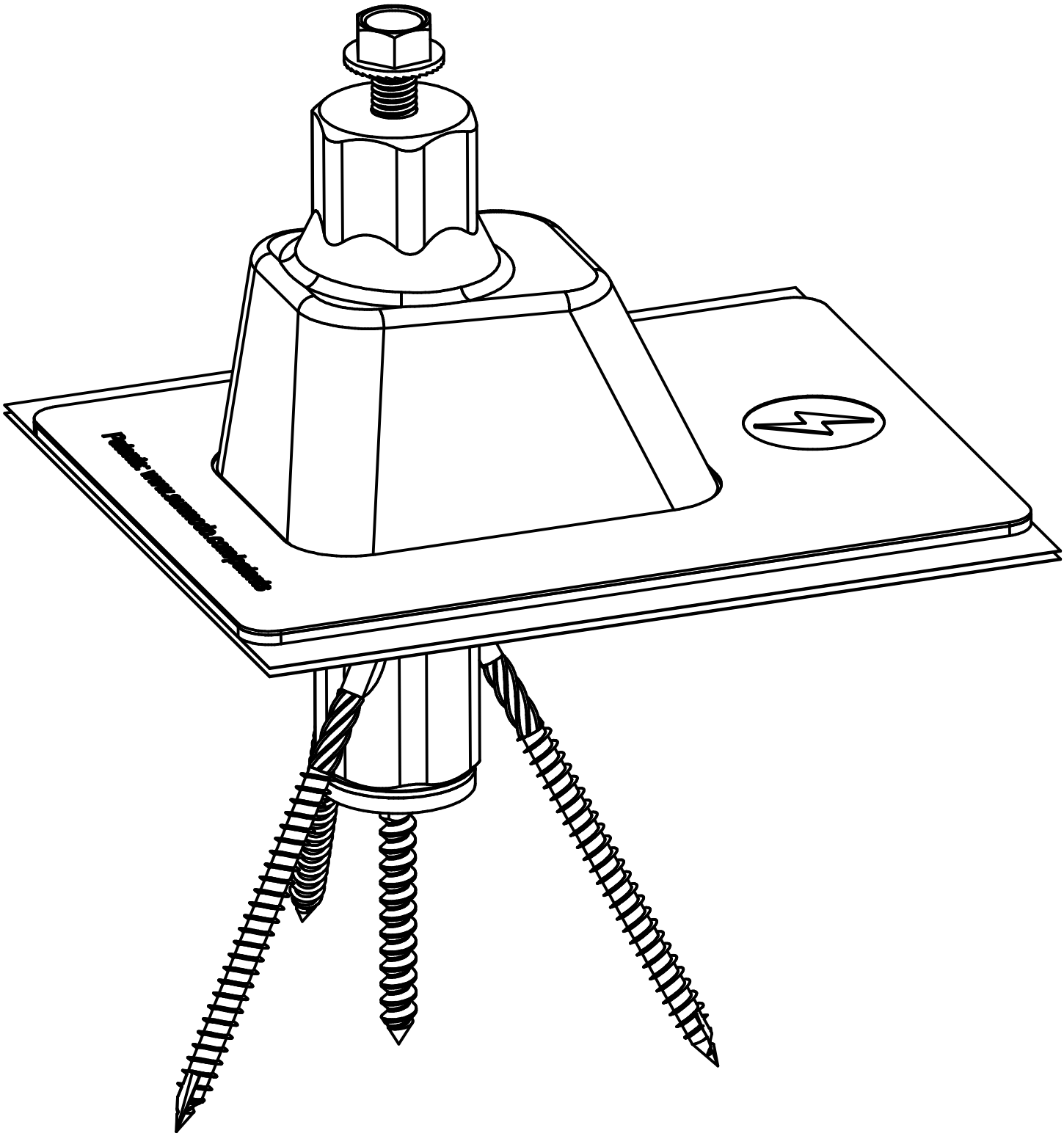
DETAIL, L-FOOT ADAPTOR, SMR100



DETAIL, L-FOOT ADAPTOR, SMR300

<b>SunModo Corp.</b>			
<small>TITLE</small> SMR PITCHED ROOF SYSTEM			
<small>DRAWING NUMBER</small> D10240-V2			
<small>SCALE:</small>	<small>SHEET</small> 3	<small>of</small> 4	<small>REV</small>

# TILE ROOF ATTACHMENT OPTIONS



**TOPTILE MOUNT**  
K10511-XXX

<b>SunModo Corp.</b>			
TITLE SMR PITCHED ROOF SYSTEM			
DRAWING NUMBER: D10240-V2			
D	SHEET 4	of 4	REV