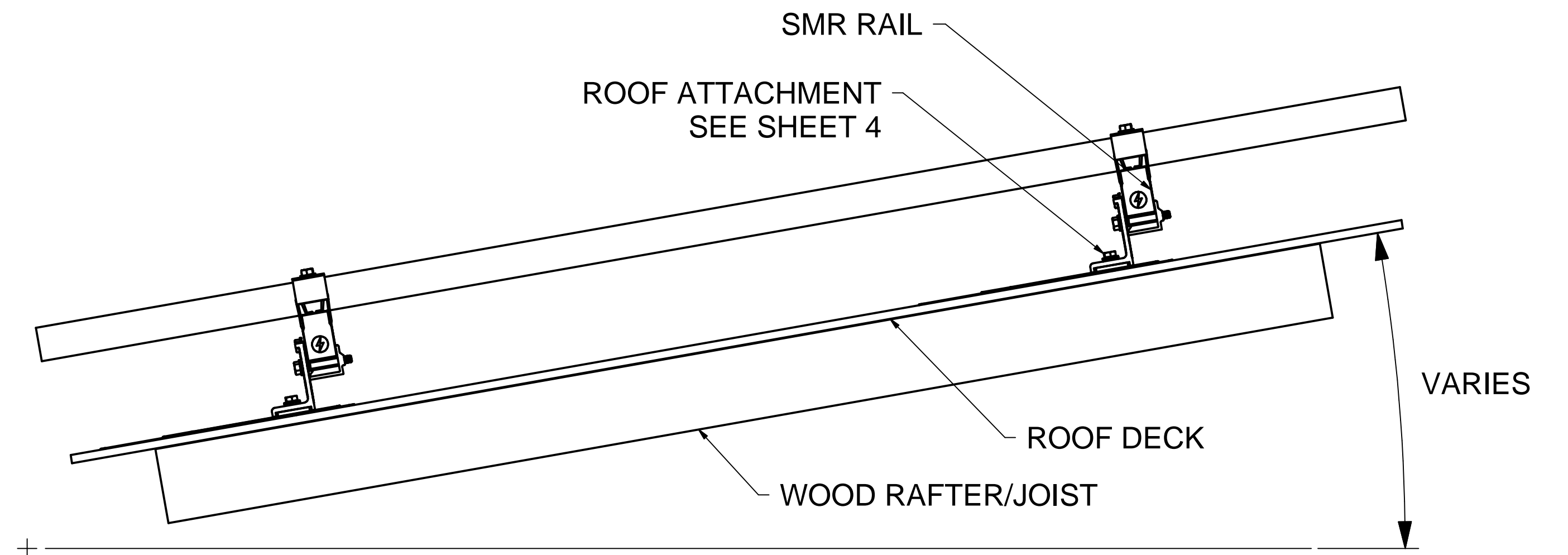
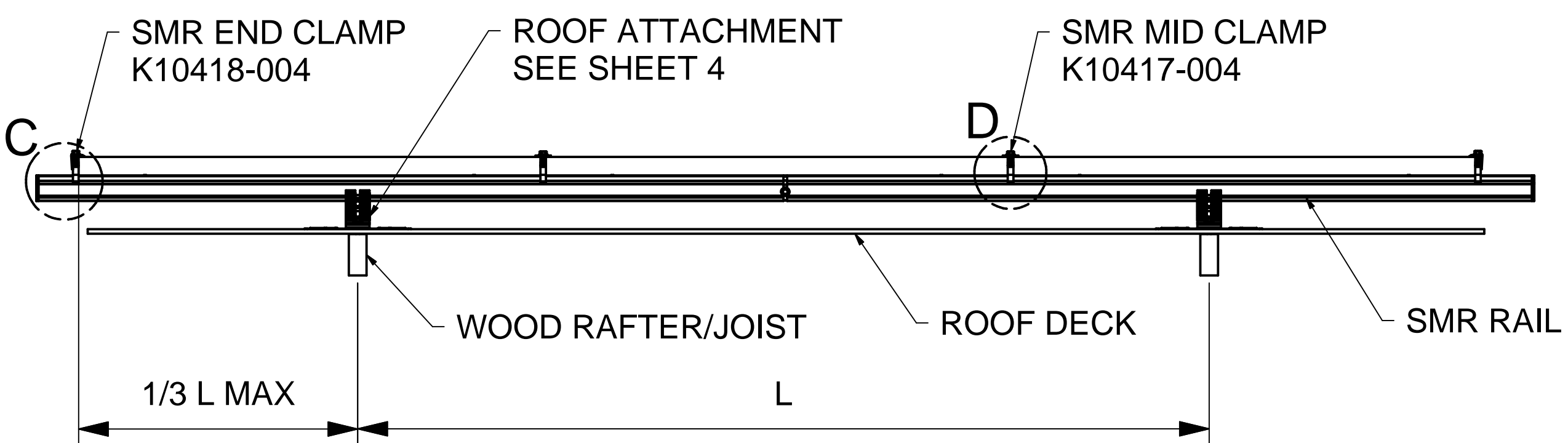


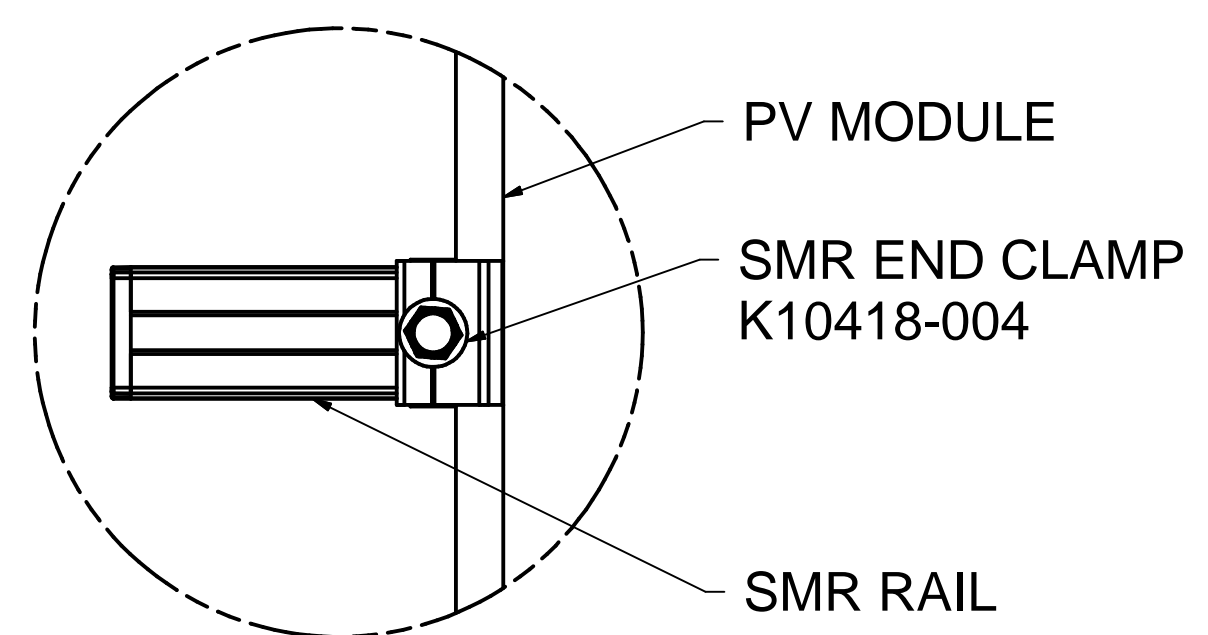
PLAN VIEW, SMR SYSTEM RAFTER MOUNT, PORTRAIT MODULE



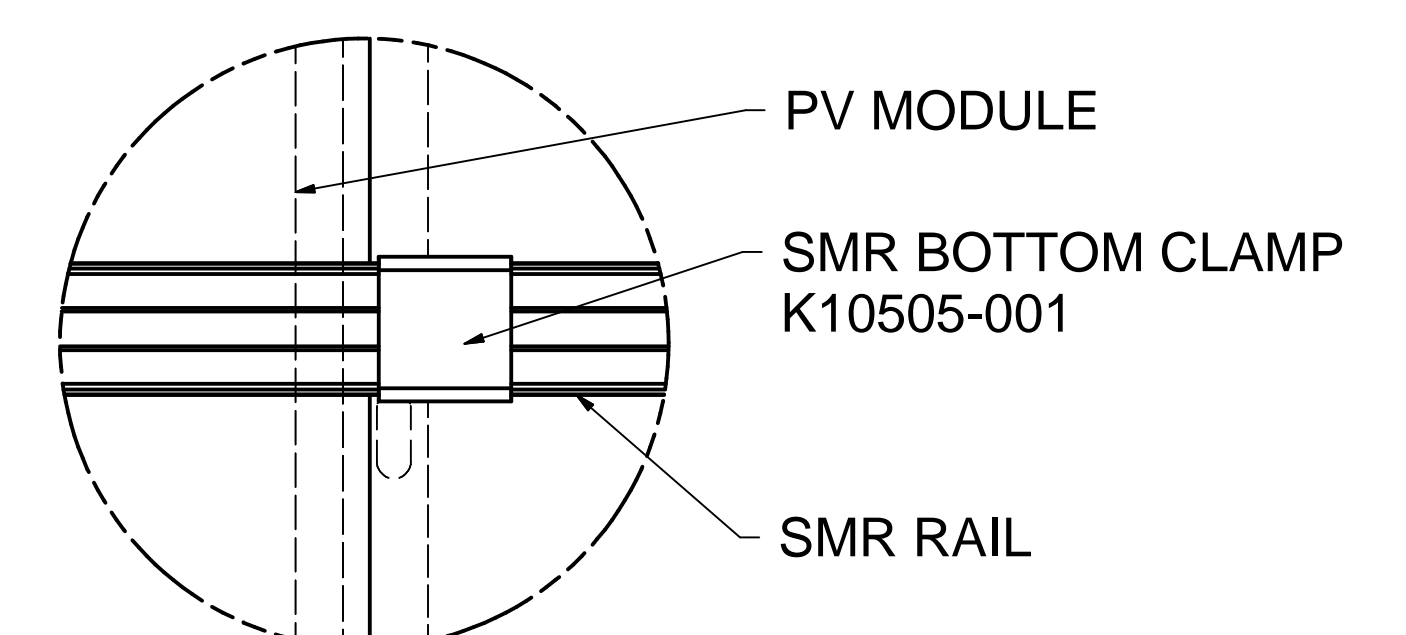
SIDE VIEW, SMR SYSTEM RAFTER MOUNT, PORTRAIT MODULE



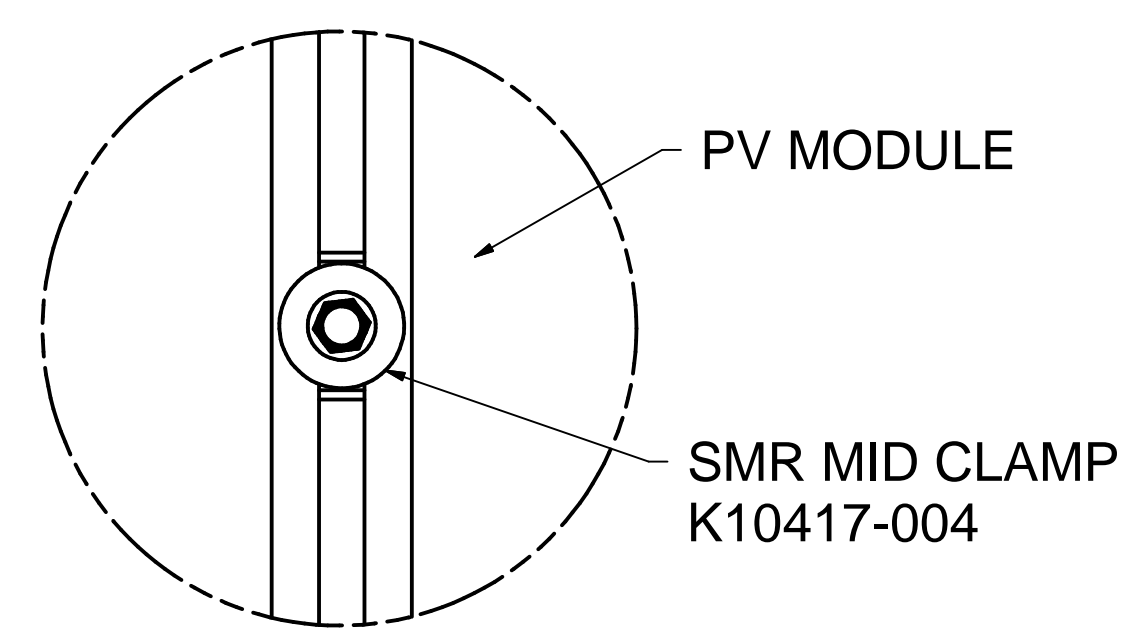
FRONT VIEW, SMR SYSTEM RAFTER MOUNT, PORTRAIT MODULE



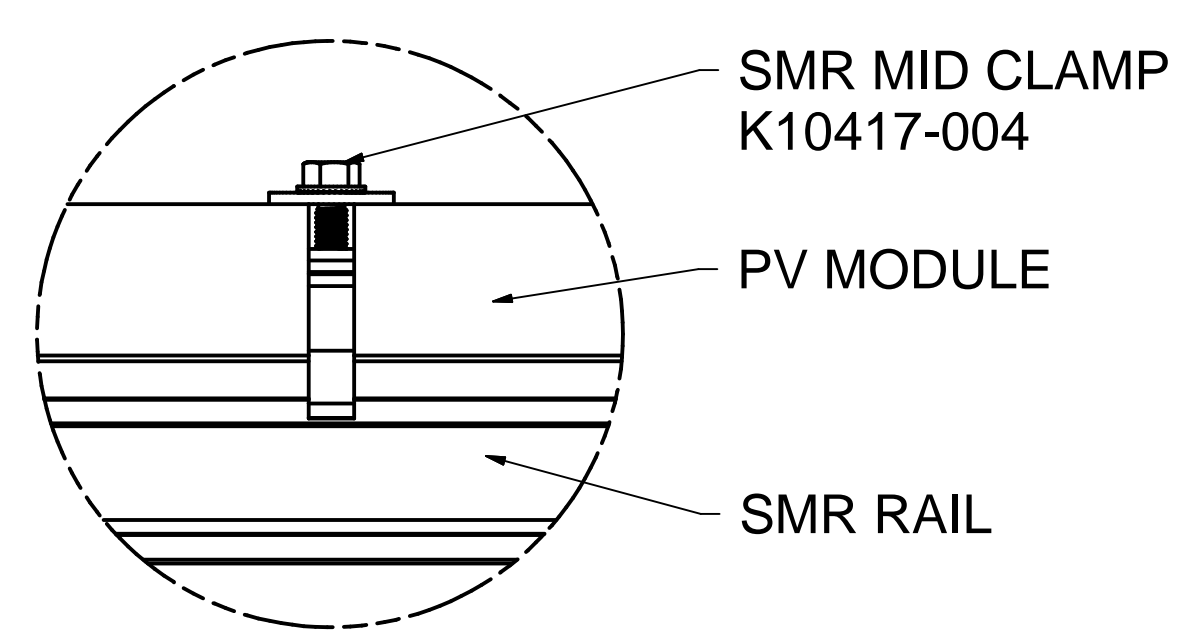
DETAIL A



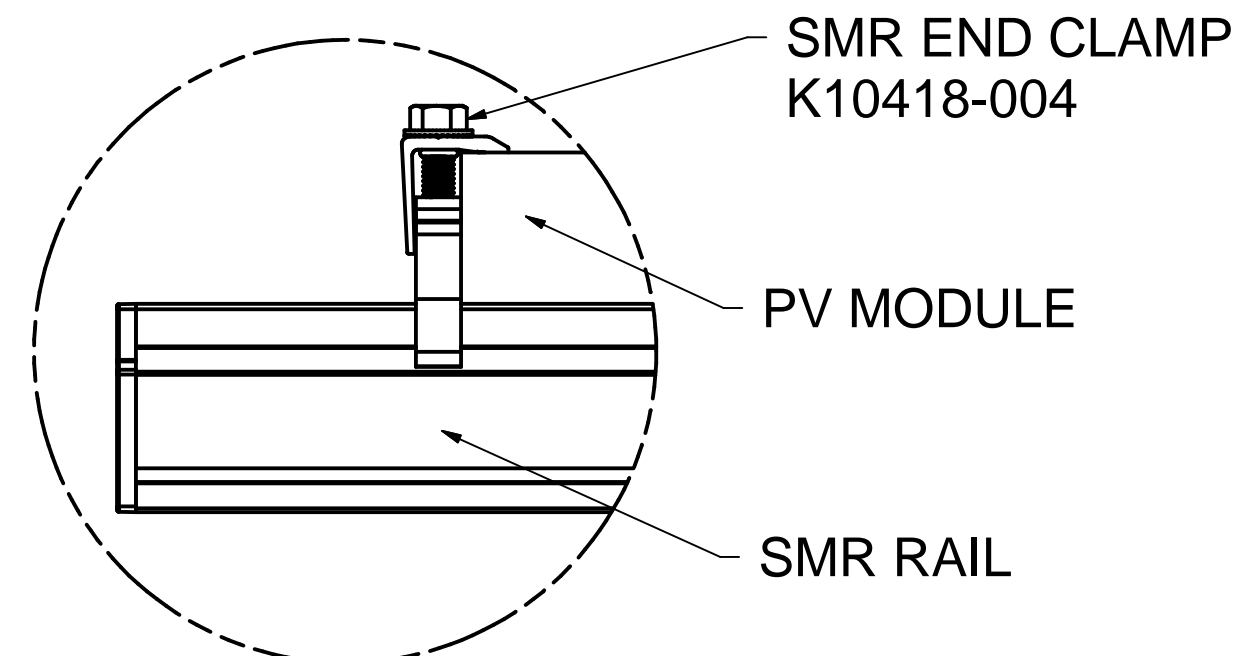
DETAIL A-ALT



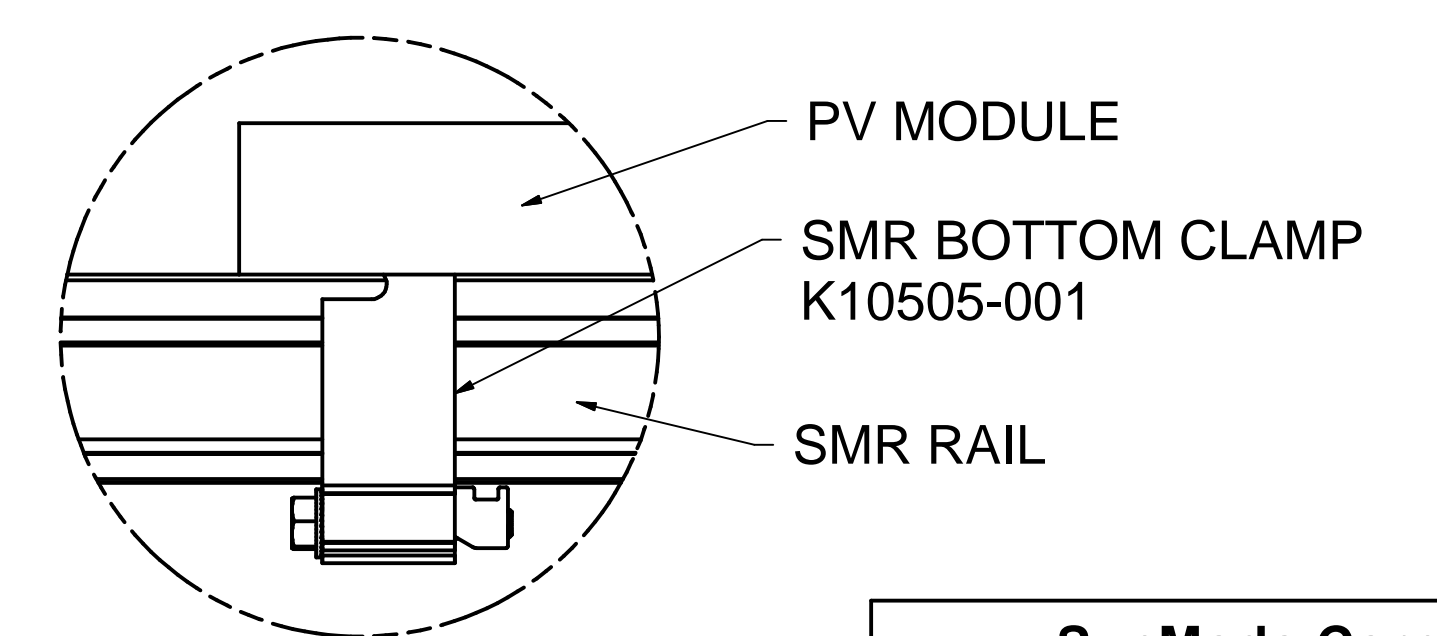
DETAIL B



DETAIL D

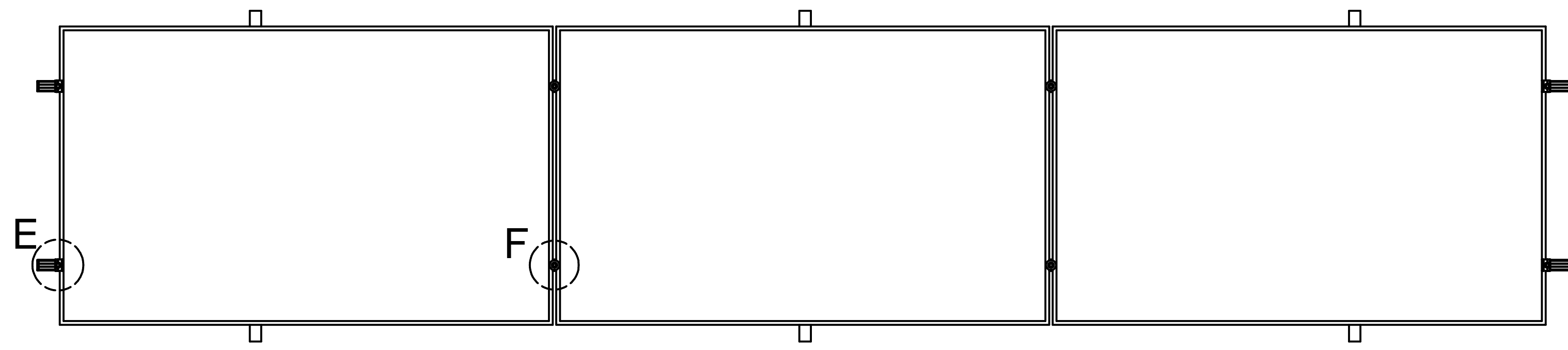


DETAIL C

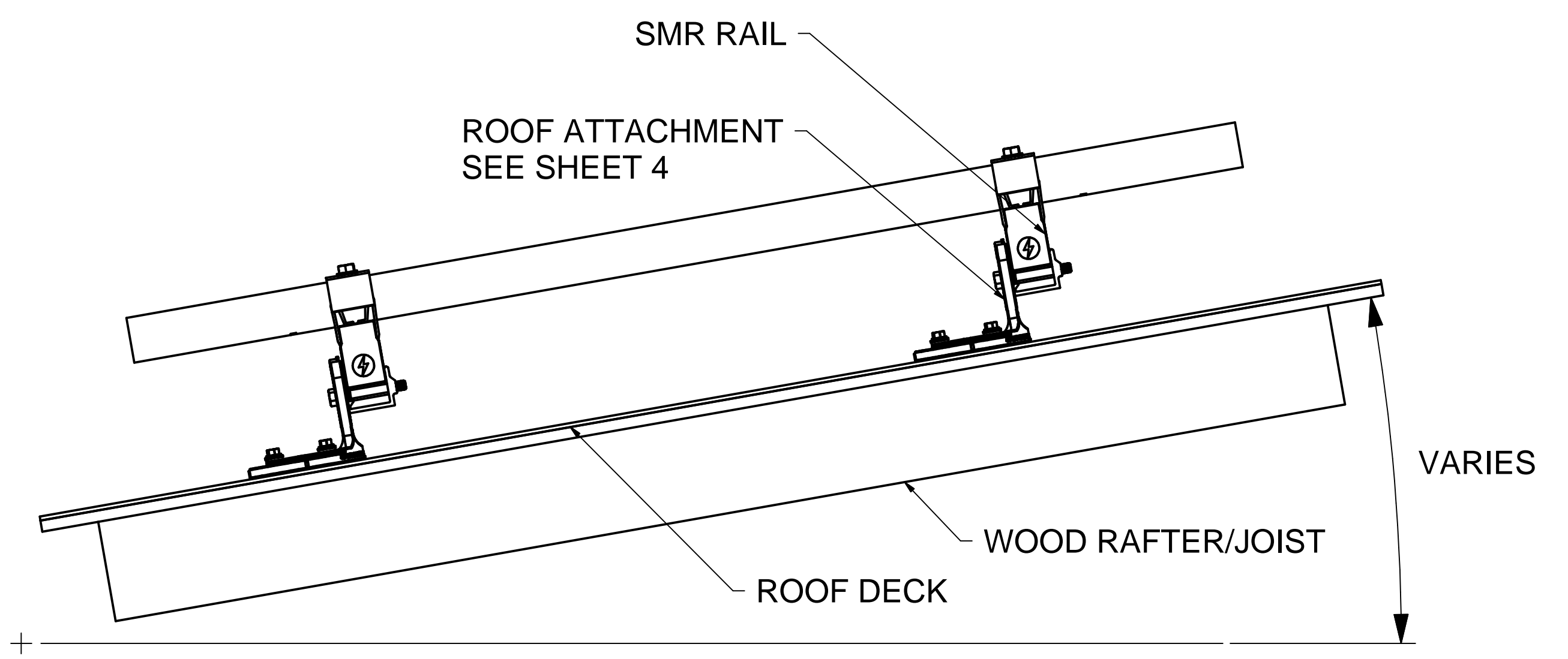


DETAIL C-ALT

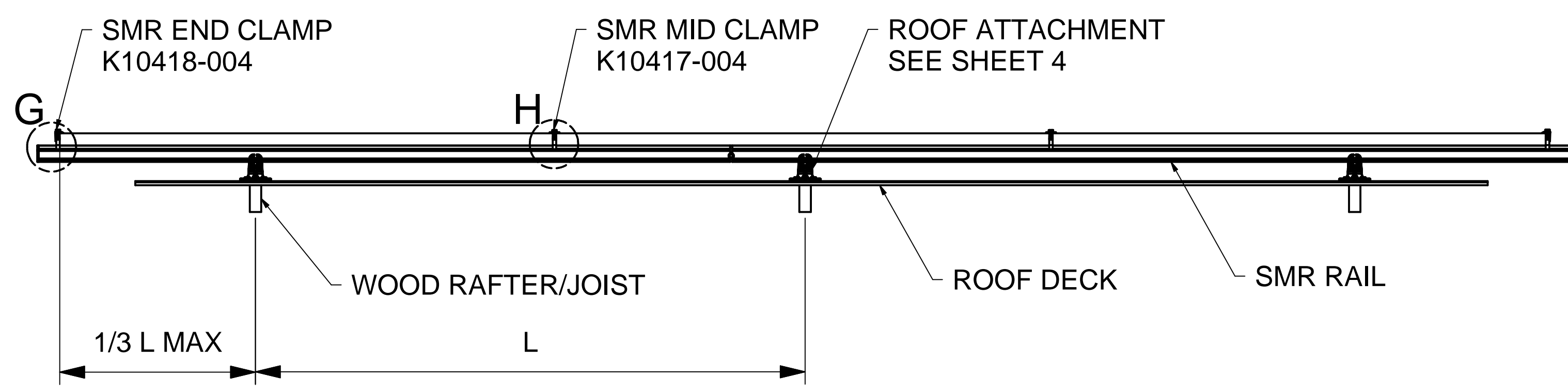
SunModo Corp.			
TITLE: SMR PITCHED ROOF SYSTEM			
D	DRAWING NUMBER: D10239-V2		
SCALE:	SHEET 1 of 4	REV	



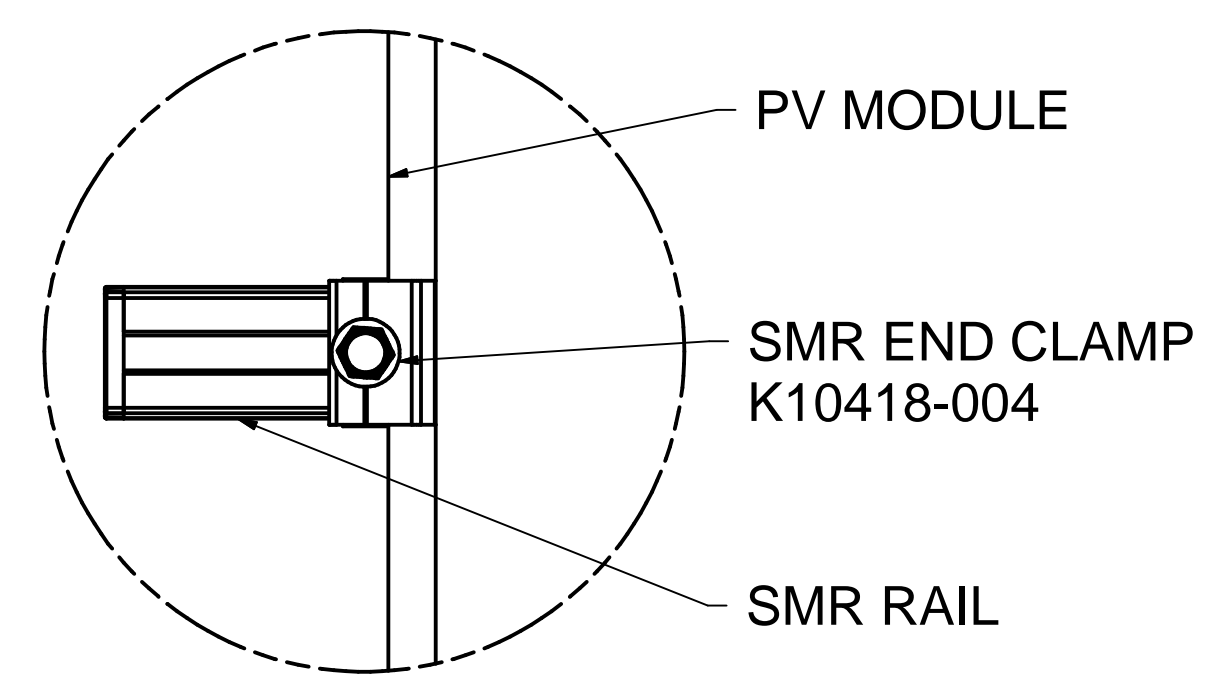
PLAN VIEW, SMR SYSTEM RAFTER MOUNT, LANDSCAPE MODULE



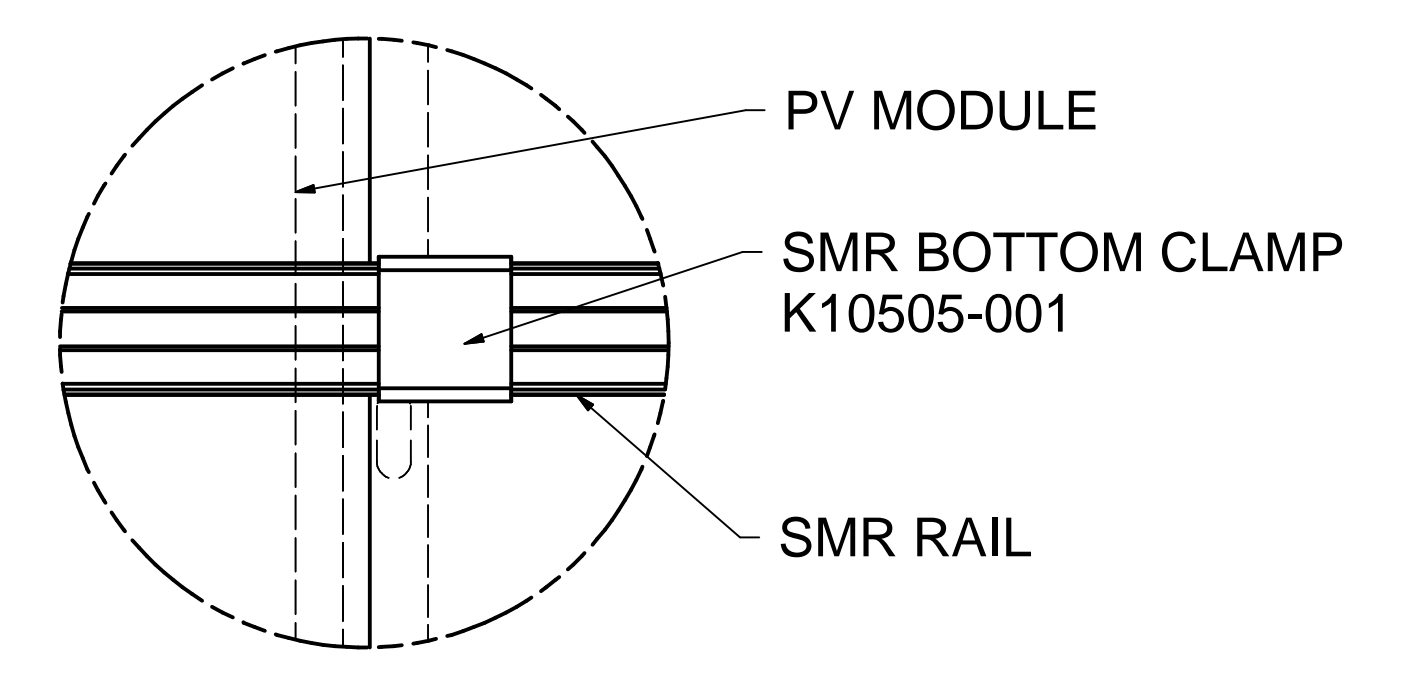
SIDE VIEW, SMR SYSTEM RAFTER MOUNT, LANDSCAPE MODULE



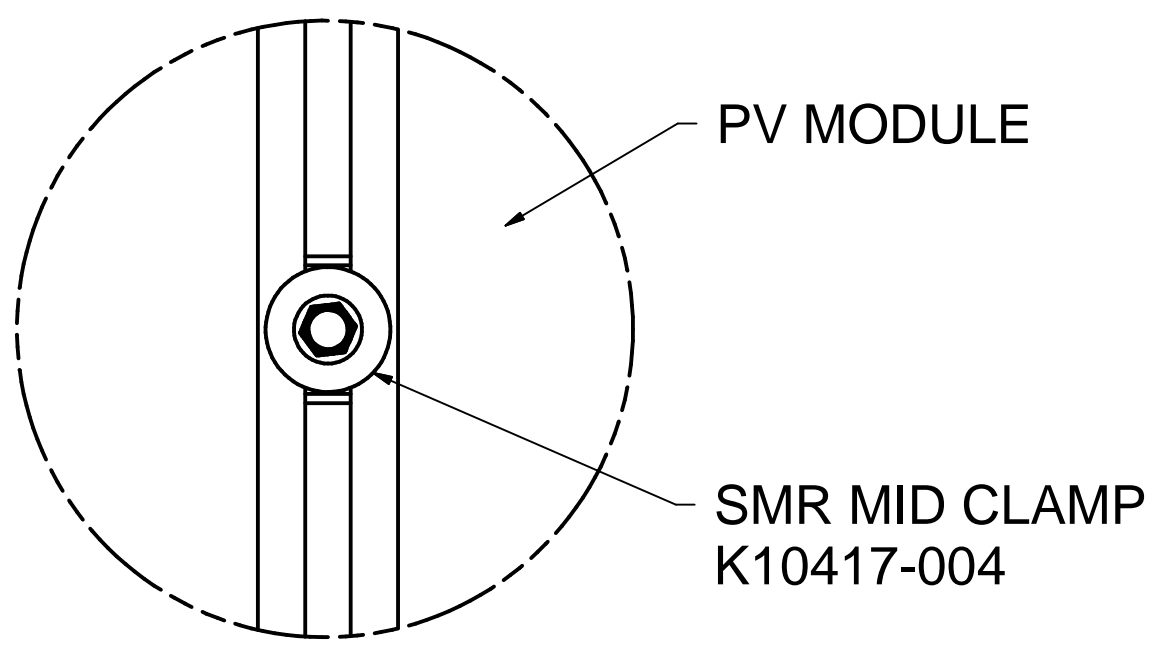
FRONT VIEW, SMR SYSTEM RAFTER MOUNT, LANDSCAPE MODULE



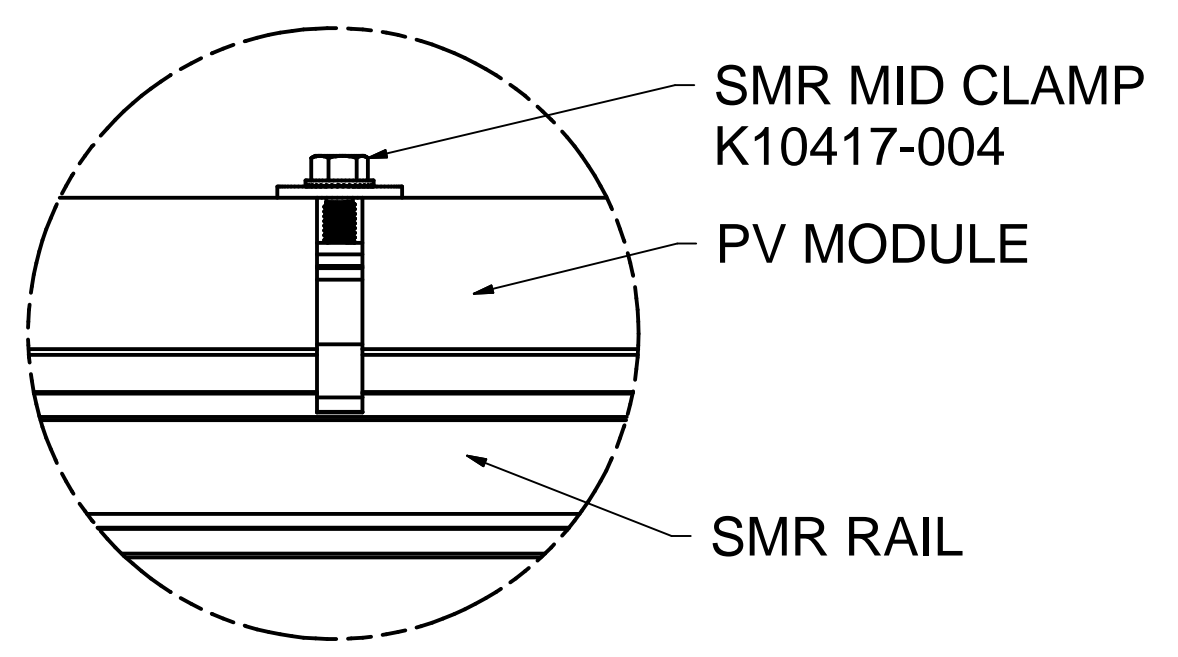
DETAIL E



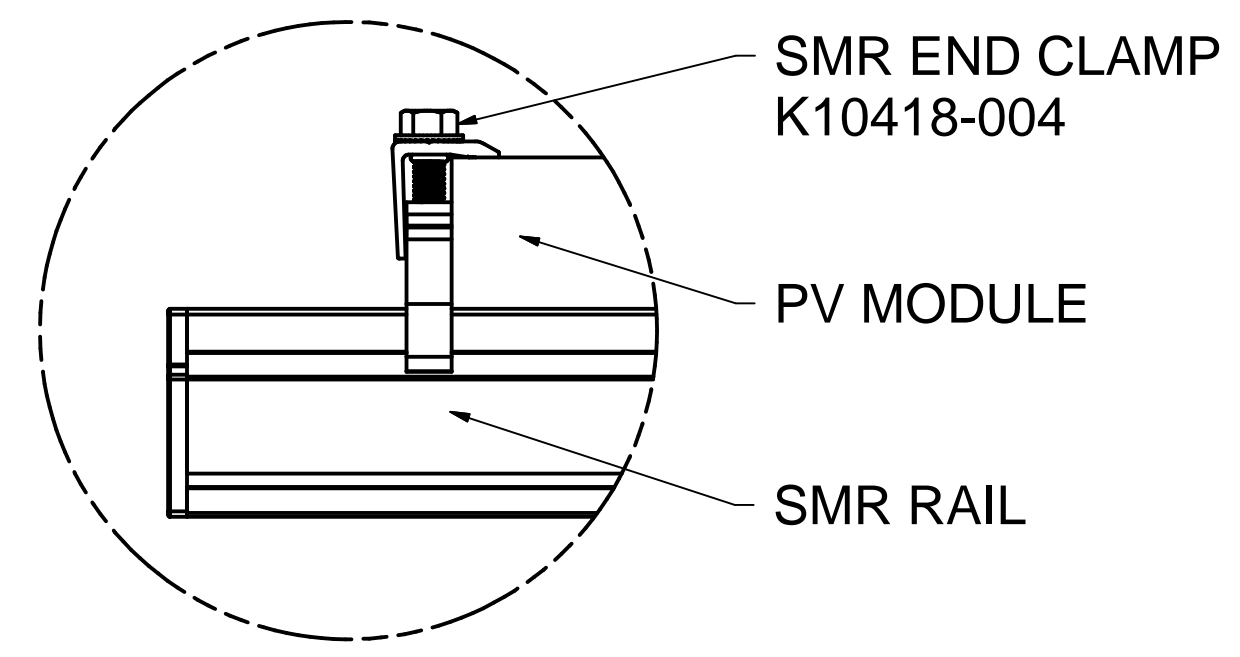
DETAIL E-ALT



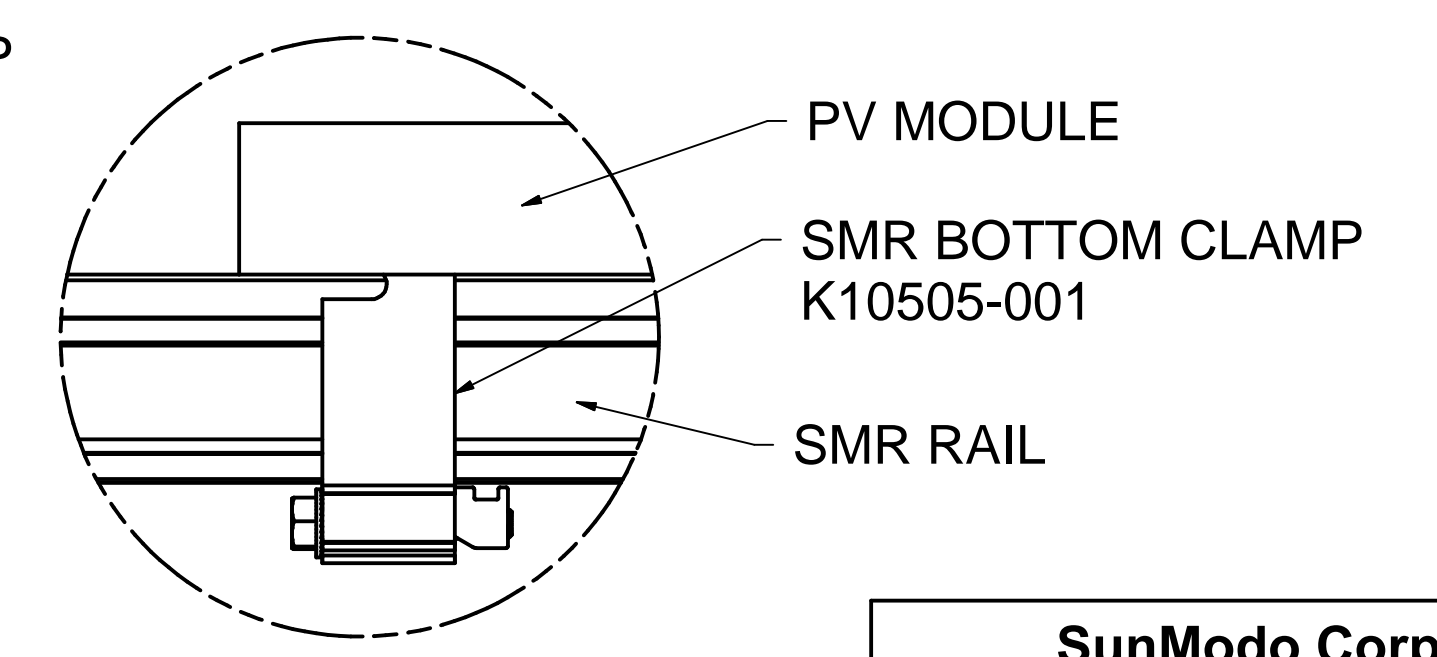
DETAIL F



DETAIL H

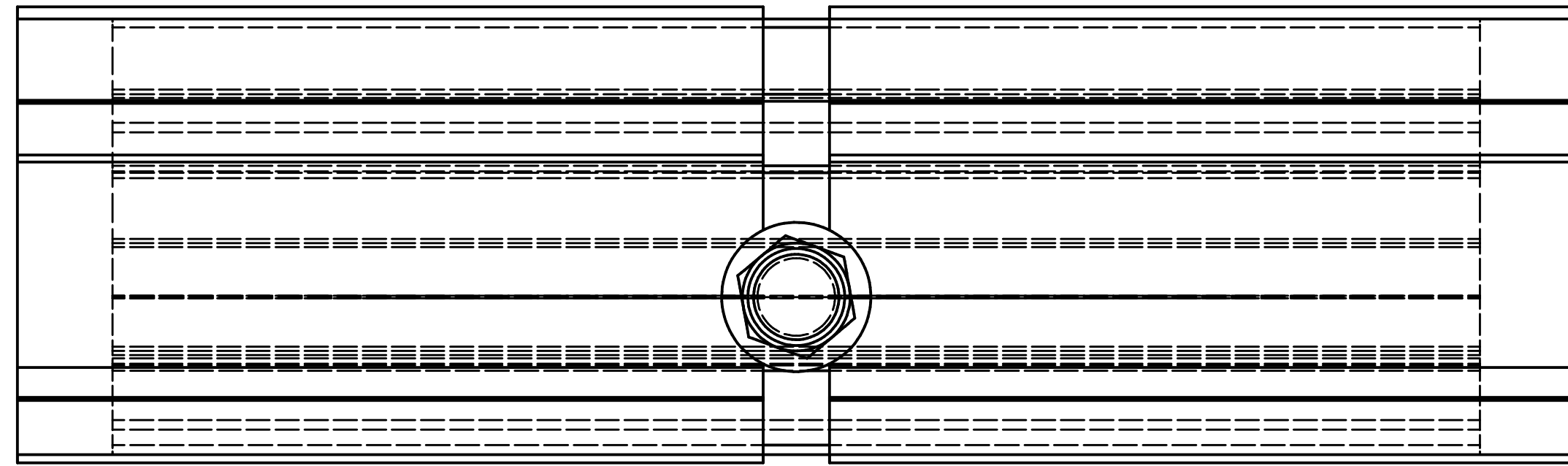


DETAIL G

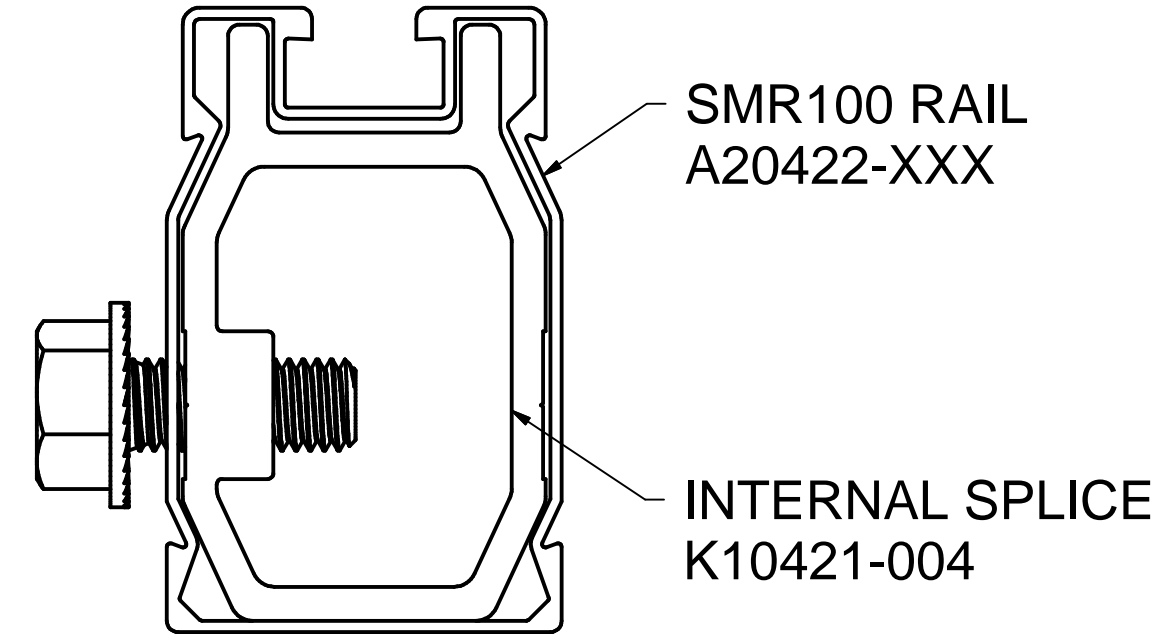


DETAIL G-ALT

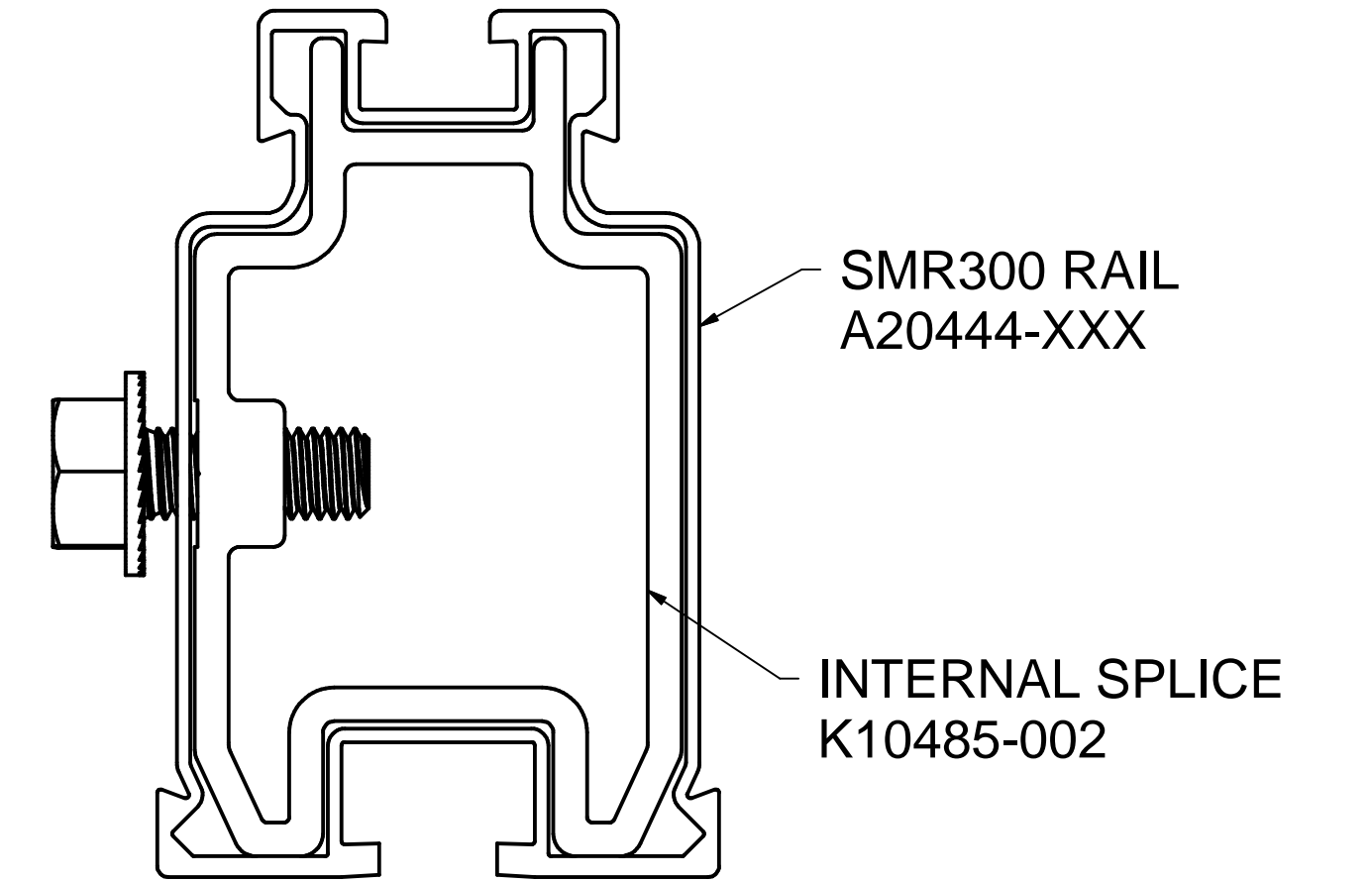
SunModo Corp.			
TITLE: SMR PITCHED ROOF SYSTEM			
D	DRAWING NUMBER: D10239-V2		
SCALE:	SHEET 2 of 4	REV	



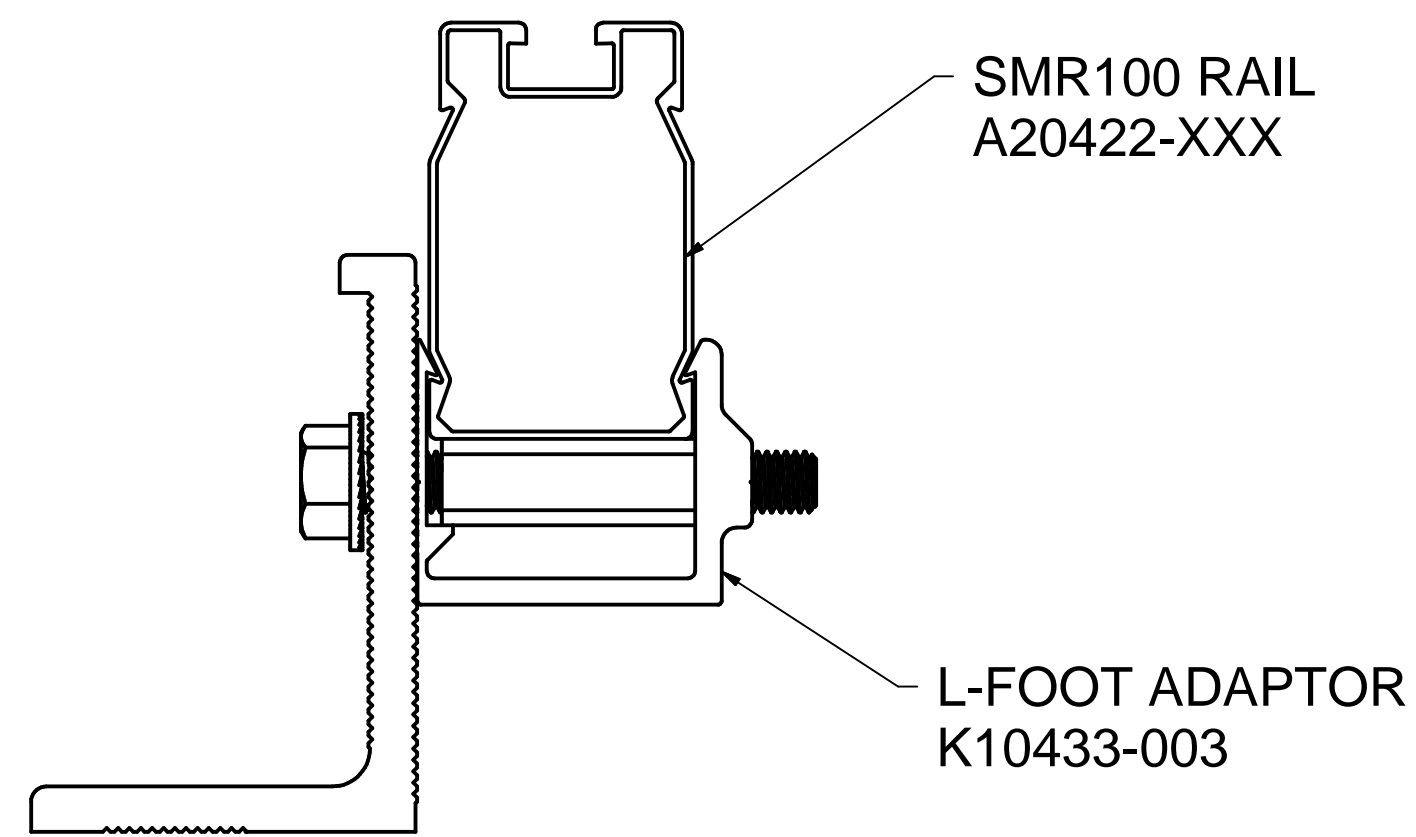
DETAIL, SPLICE CONNECTION, SMR RAIL



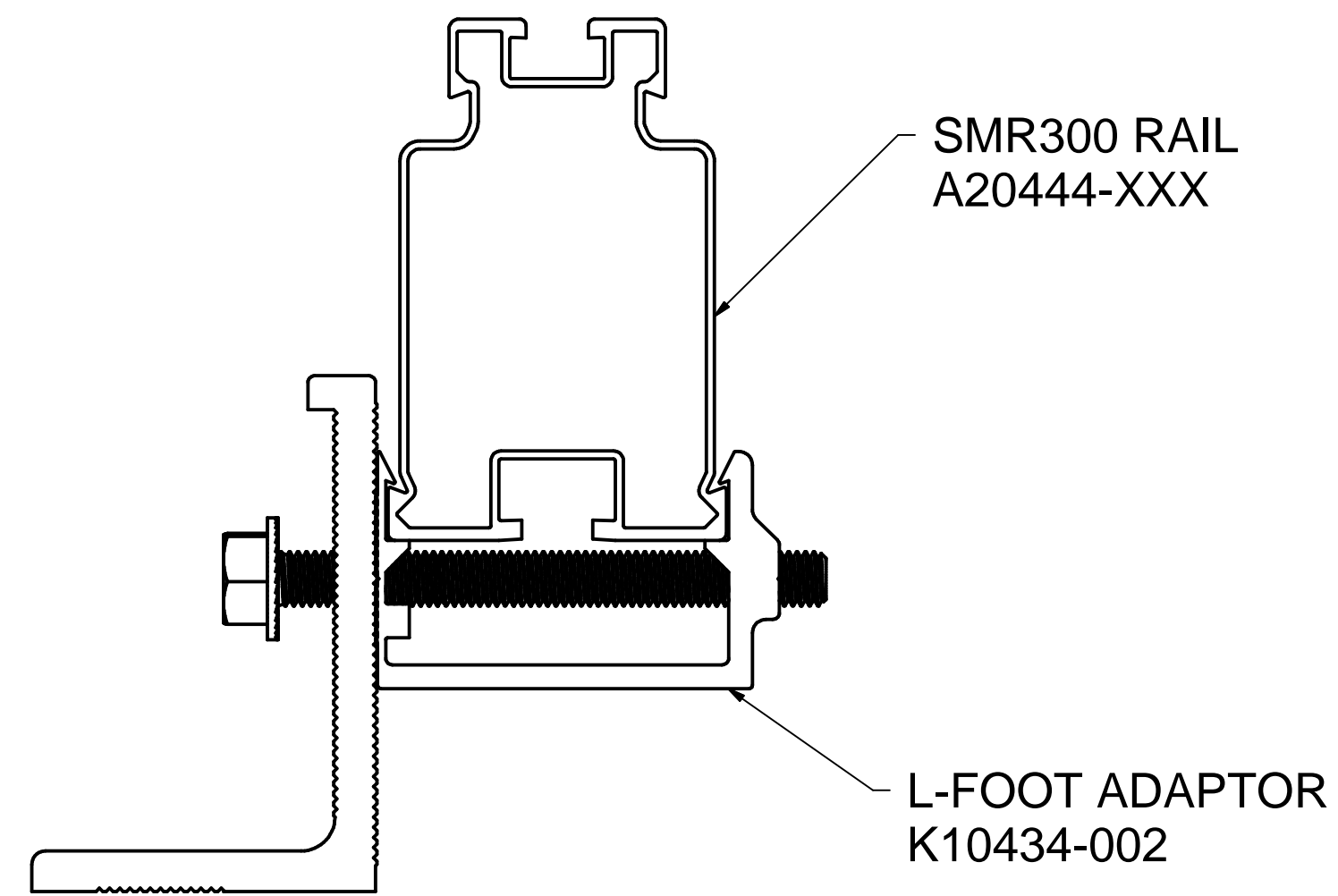
DETAIL, SPLICE, SMR100



DETAIL, SPLICE, SMR300



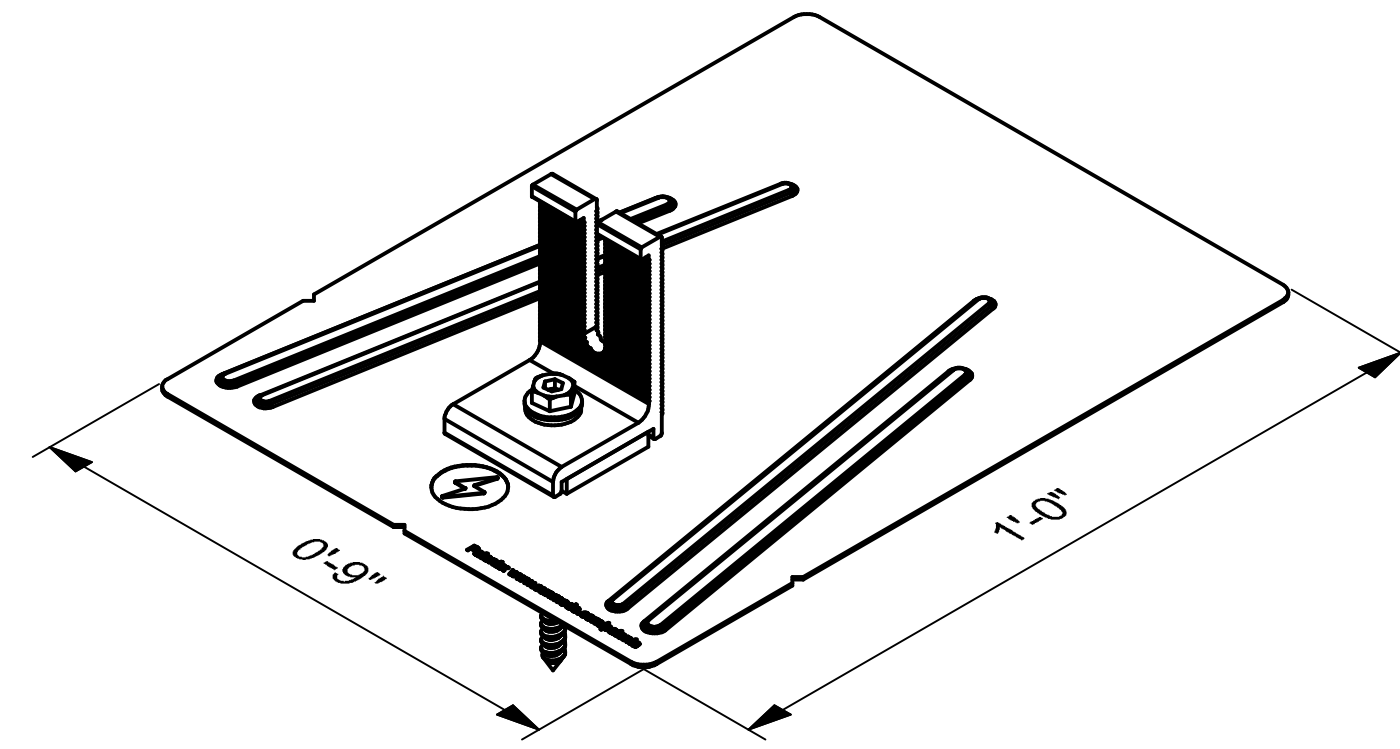
DETAIL, L-FOOT ADAPTOR, SMR100



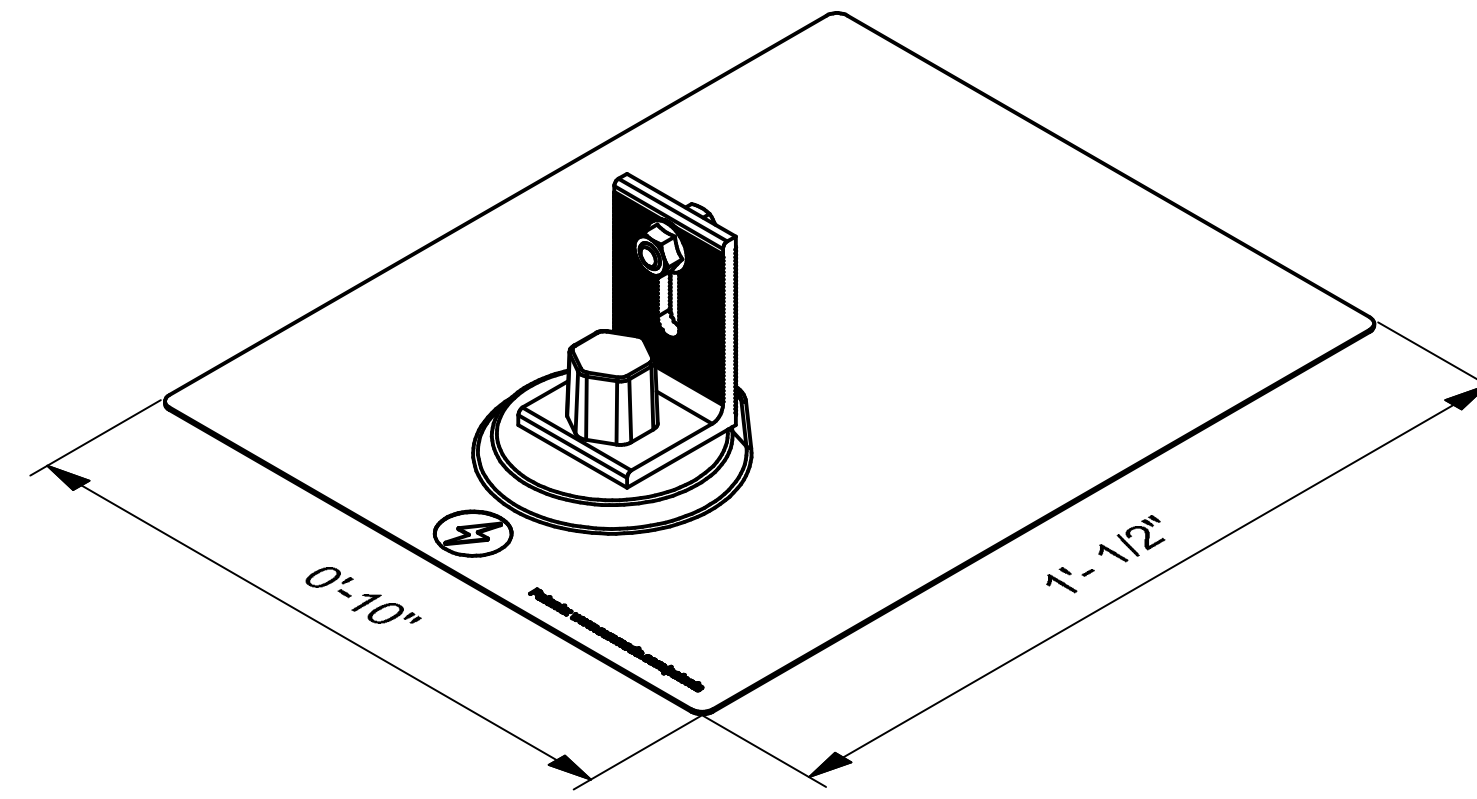
DETAIL, L-FOOT ADAPTOR, SMR300

SunModo Corp.			
<small>TITLE</small> SMR PITCHED ROOF SYSTEM			
<small>D</small>	<small>DRAWING NUMBER</small> D10239-V2		
<small>SCALE</small>	<small>SHEET</small> 3	<small>of</small> 4	<small>REV</small>

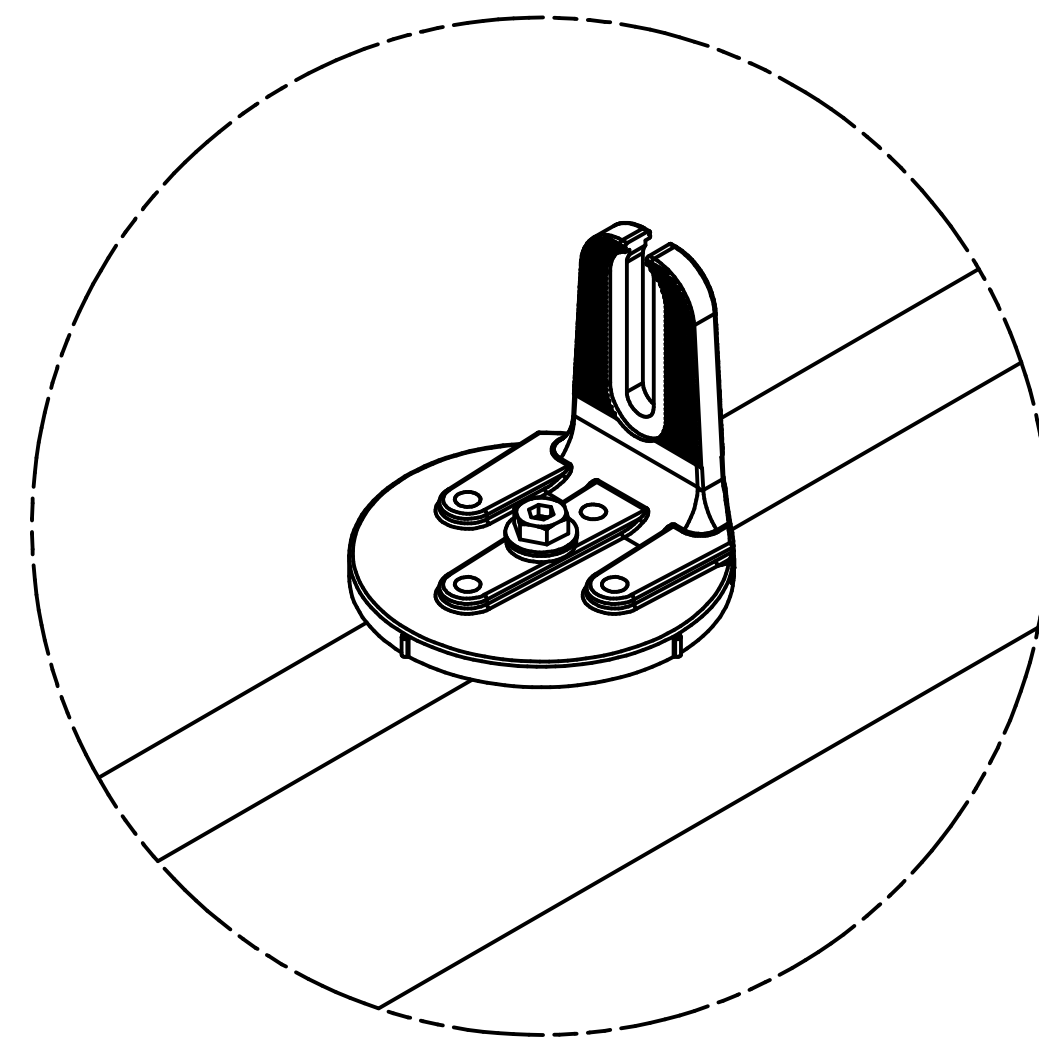
COMPOSITE SHINGLE ROOF ATTACHMENT OPTIONS



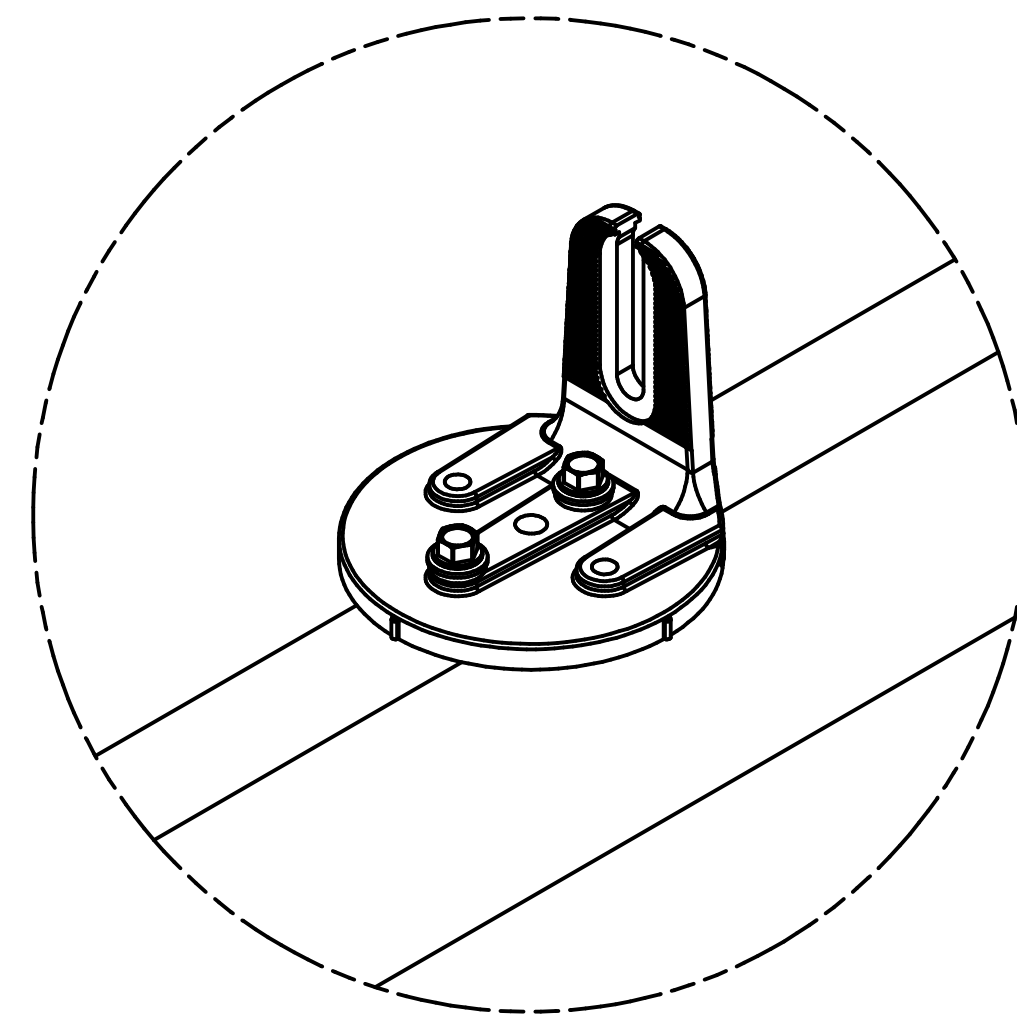
SOLOFLASH
K50538-003
[RAFTER MOUNT]



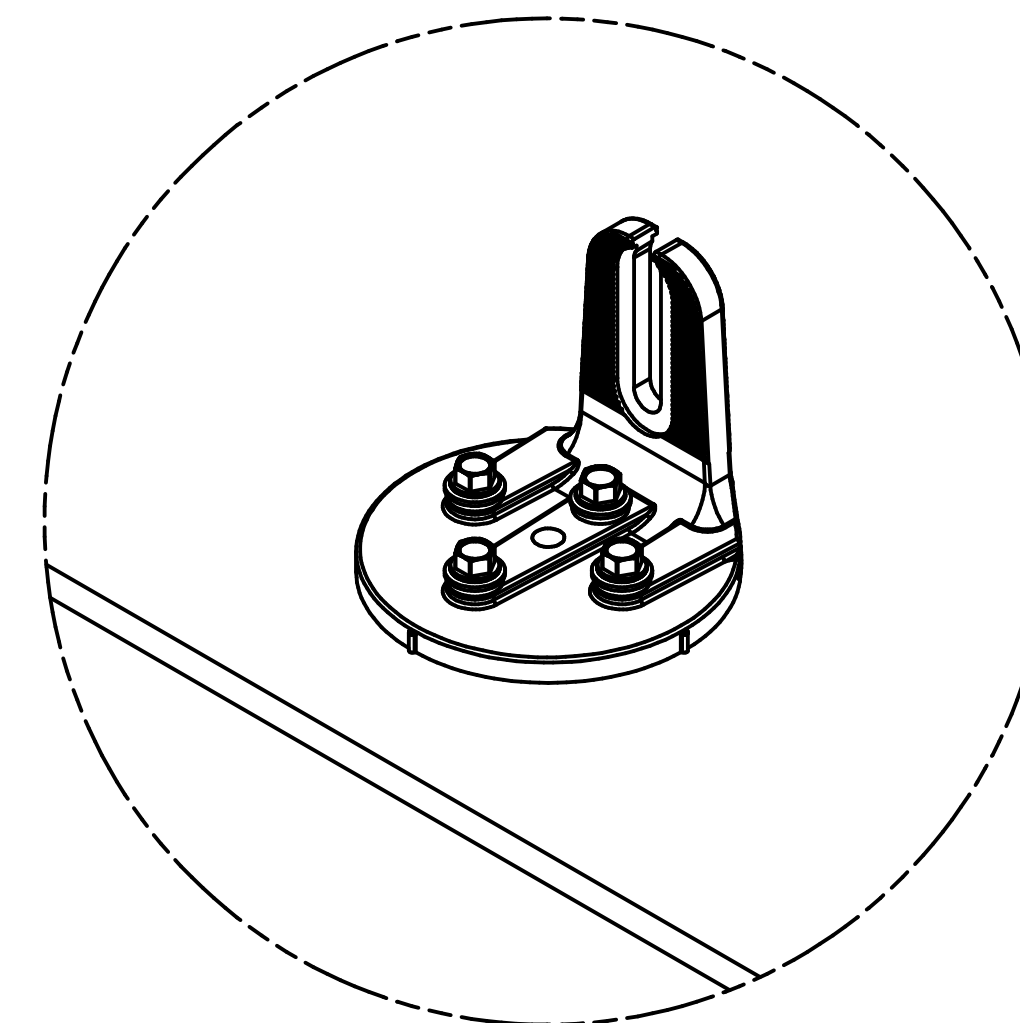
EZ ROOF MOUNT
K10068-001
[RAFTER MOUNT]



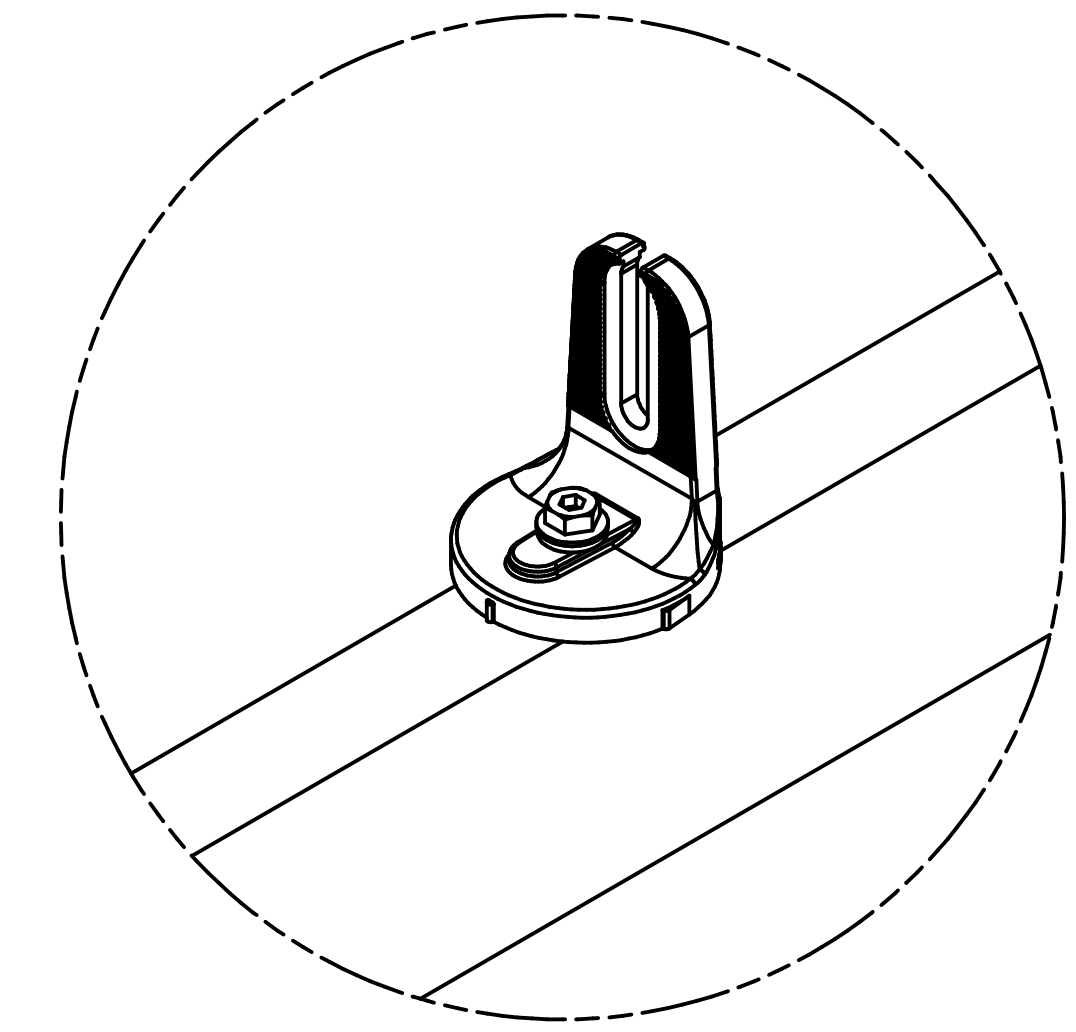
NANO RAFTER MOUNT
K50063-BK1



NANO RAFTER MOUNT
K50063-BK1



NANO DECK MOUNT
K50063-BK1



NANOBIT RAFTER MOUNT
K50065-BK1

SunModo Corp.			
TITLE: SMR PITCHED ROOF SYSTEM			
D	DRAWING NUMBER: D10239-V2		
SCALE:	SHEET 4	of 4	REV