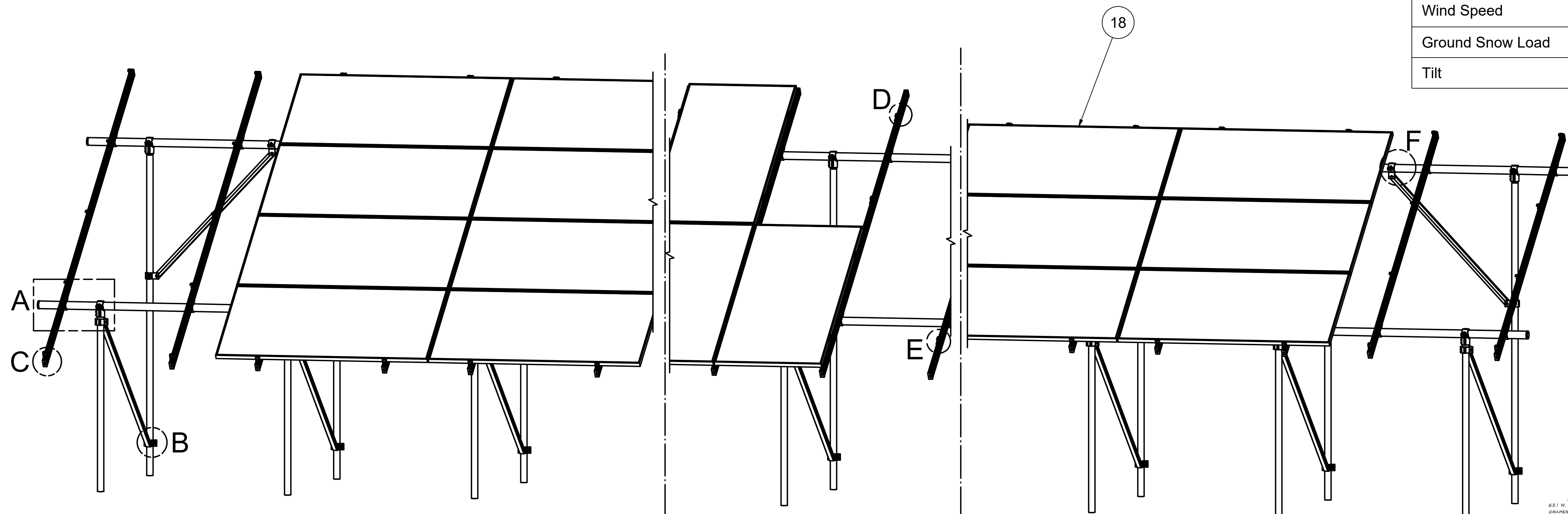


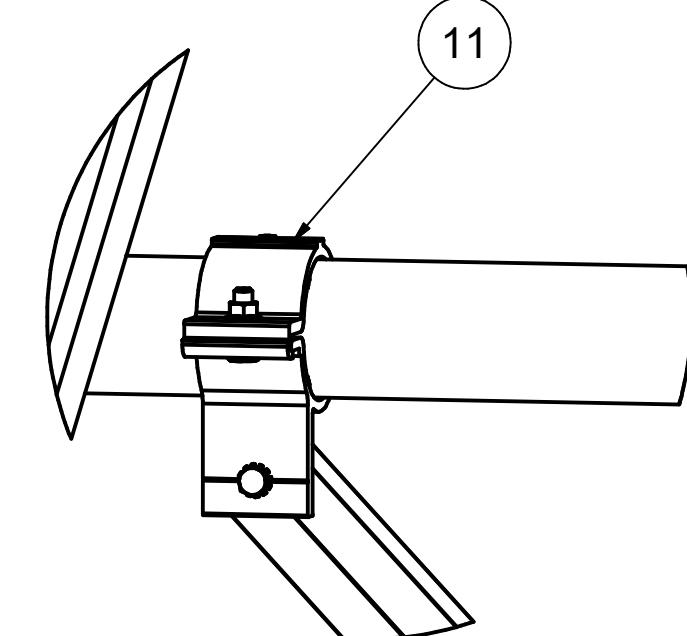
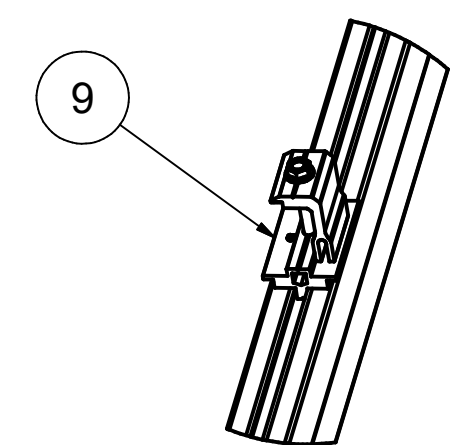
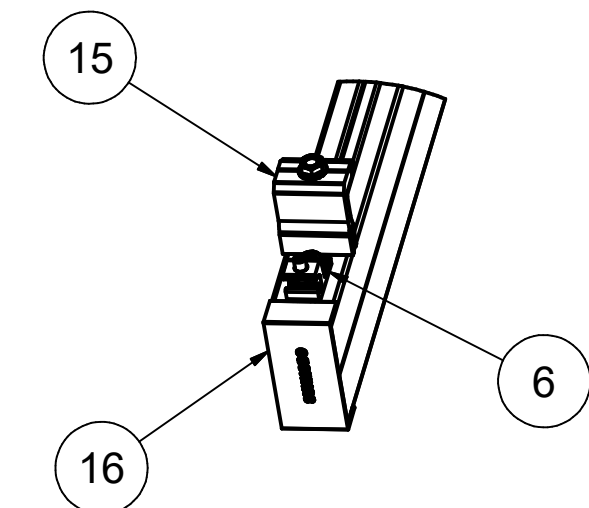
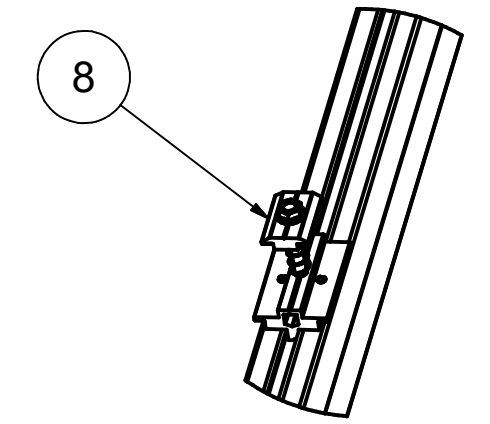
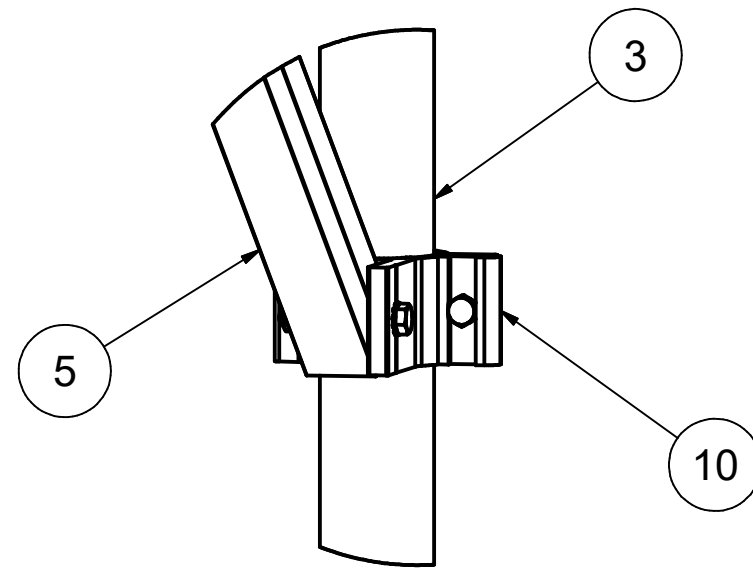
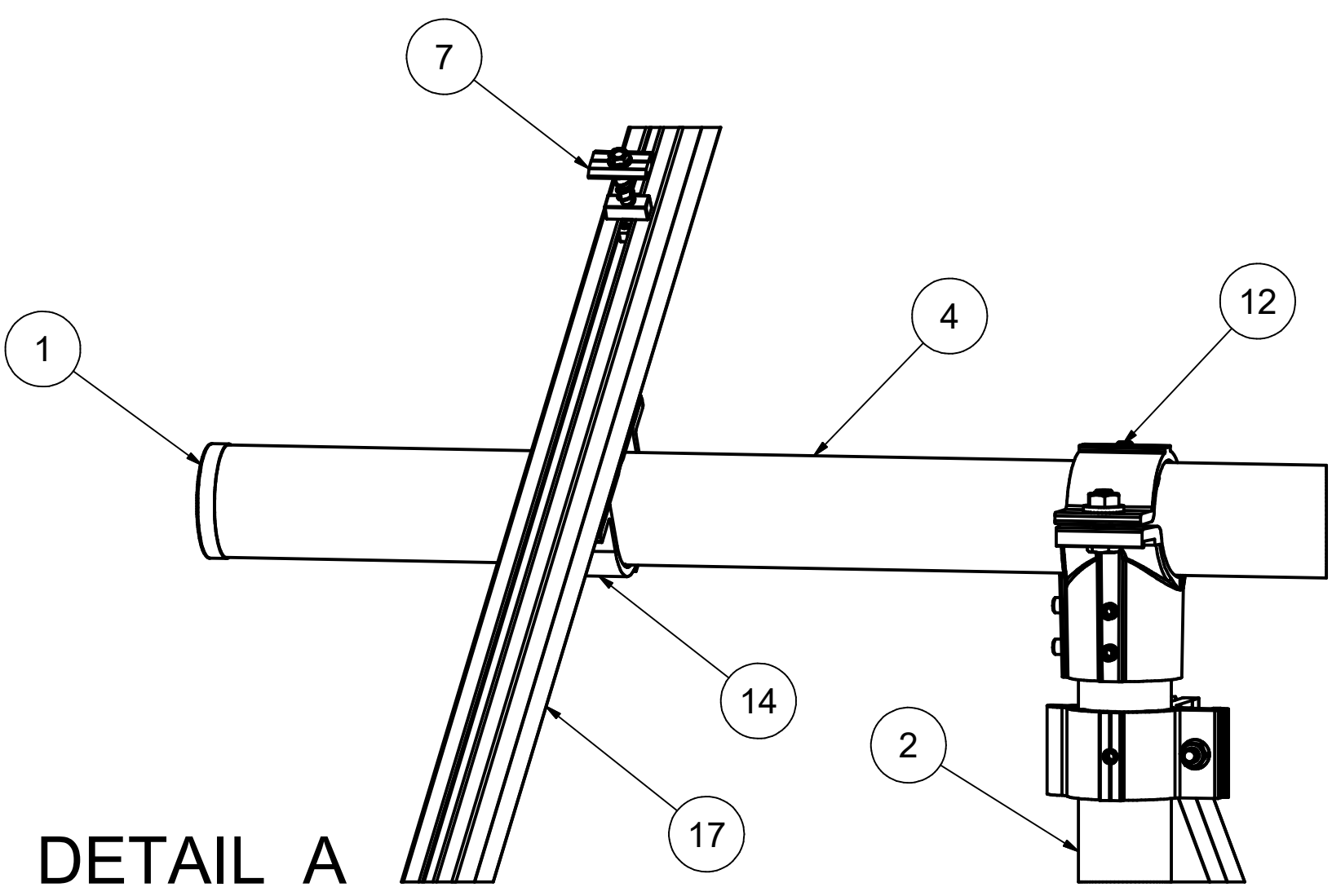
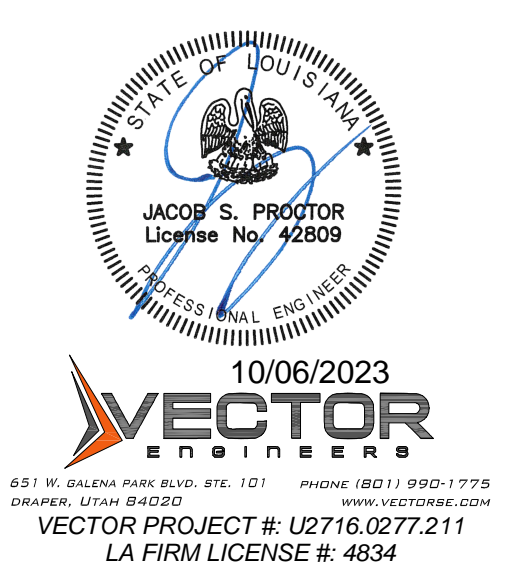
NOTES: UNLESS OTHERWISE SPECIFIED

- THIS DRAWING IS NOT FOR CONSTRUCTION UNTIL ENGINEERING HAS REVIEWED AND STAMPED THIS DOCUMENT.
- DIMENSIONS SHOWN ARE INCHES.
- THE SELF-BONDING SYSTEM AND SINGLE GROUND LUG IS FOR USE WITH PV MODULES THAT HAVE A MAXIMUM SERIES FUSE RATING OF 30A.
- MATERIALS ARE AS SPECIFIED OR EQUIVALENT:
 HARDWARE: 304 STAINLESS STEEL
 FABRICATED EXTRUDED PARTS: 6005-T5 ALUMINUM ALLOY
 FABRICATED DIE CAST PARTS: ANSI/AA A380 ALUMINUM ALLOY
 STEEL PIPE: SCHEDULE 40 GALVANIZED
 ALUMINUM PIPE: SCHEDULE 10 ANODIZED
- THE MAXIMUM PERMISSIBLE LENGTH OF ANY STRUCTURE SHALL BE 200 FT. FOR SYSTEMS USING A SHARED RAIL CONFIGURATION, A THERMAL BREAK IS REQUIRED IN THE RAIL EVERY 40 FT. PER THE DRAWING DETAILS.
- 4LXN-3LXN-2PXN-20DEG-GSM-AGM-BGM-PGM.
- PANEL DIMENSIONS ARE AS FOLLOWS
 STANDARD (SP): MAX 82"X42"
 OVERSIZE (OP): MAX 85"X45"
- APPROVED RAIL PROFILES - STANDARD PANELS
 A20288-XXX (HR300 RAIL), A20297-001 (END CAP), K10343-002 (U-CLAMP KIT);
 A20145-XXX (HR350 RAIL), A20285-001 (END CAP), K10343-001 (U-CLAMP KIT).
- APPROVED RAIL PROFILES - OVERSIZE PANELS
 * A20288-XXX (HR300 RAIL), A20297-001 (END CAP), K10343-002 (U-CLAMP KIT);
 * A20145-XXX (HR350 RAIL), A20285-001 (END CAP), K10343-001 (U-CLAMP KIT).
- K10224-XXX END CLAMP KIT OR K10299-XXX ADJ. END CLAMP KIT.
- FOUNDATION TYPES:
 GSM = GROUND SCREW GROUND MOUNT
 AGM = HELICAL AUGER GROUND MOUNT
 PGM = POST-IN-CONCRETE GROUND MOUNT
 BSM = BALLAST GROUND MOUNT

Packet D3	
Model Code	ASCE 7-16
Exposure Category	C and Lower
Wind Speed	170 mph and Lower
Ground Snow Load	0 PSF and Lower
Tilt	20 DEG and Lower



4L 4-IN-LANDSCAPE 2P 2-IN-PROTRAIT 3L 3-IN-LANDSCAPE
STANDARD PANEL (SP) ONLY



ITEM	PART NUMBER	DESCRIPTION	QTY
19	K10448-001	2.5" PIPE SPLICE KIT	3
18		PANEL	
17		HELORAIL.VARIES PER NOTE 8 & 9	
16		HELORAIL END CAP.VARIES PER NOTE 8 & 9	
15		END CLAMP KIT.VARIES PER NOTE 10	
14	K10343-001	2.5" AL PIPE U-CLAMP KIT	
13	K10342-001	2.5" PIPE SPLICE KIT	
12	K10341-001	2.5" PIPE TEE KIT	
11	K10222-001	2.5" PIPE CLAMP KIT	
10	K10219-001	2" AL PIPE CLAMP KIT	
9	K10183-XXX	LANDSCAPE GROUNDING END CLAMP KIT	
8	K10182-001	LANDSCAPE GROUNDING MID CLAMP KIT	
7	K10180-001	GROUNDING MID-CLAMP KIT WITH T COLLAR BOLT AND GROUNDING BASE	
6	K10179-001	SELF-GROUNDING LUG KIT	
5	A50164-XXX	1.5" SQ. STL TUBE BRACE, L=XXX	
4	A21168-XXX	PIPE, HSS, 2.875" OD X 12 GAUGE,L=XXX	
3	A21165-XXX (REAR)	PIPE, HSS, 2.375" OD X 12 GAUGE,L=XXX	
2	A21165-XXX (FRONT)	PIPE, HSS, 2.375" OD X 12 GAUGE,L=XXX	
1	A20380-001	2.5" PIPE END CAP	

MATERIAL: SEE BOM

Third Angle Projection:

GENERAL SPECIFICATIONS
 All Dimensions in inches (millimeters)
 Tolerances:
 FRACTIONS (0.25mm)
 DECIMALS (0.10mm)
 ANGLES (0.01mm)
 BREAK all sharp edges
 UNLESS OTHERWISE SPECIFIED

DATE: 09/15/2023

DRAWN BY: PHQ
 CHECKED BY:

SunModo Corp.
 14800 NE 65TH STREET, VANCOUVER WA 98682

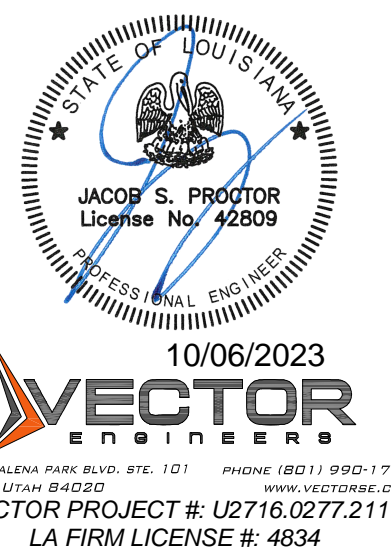
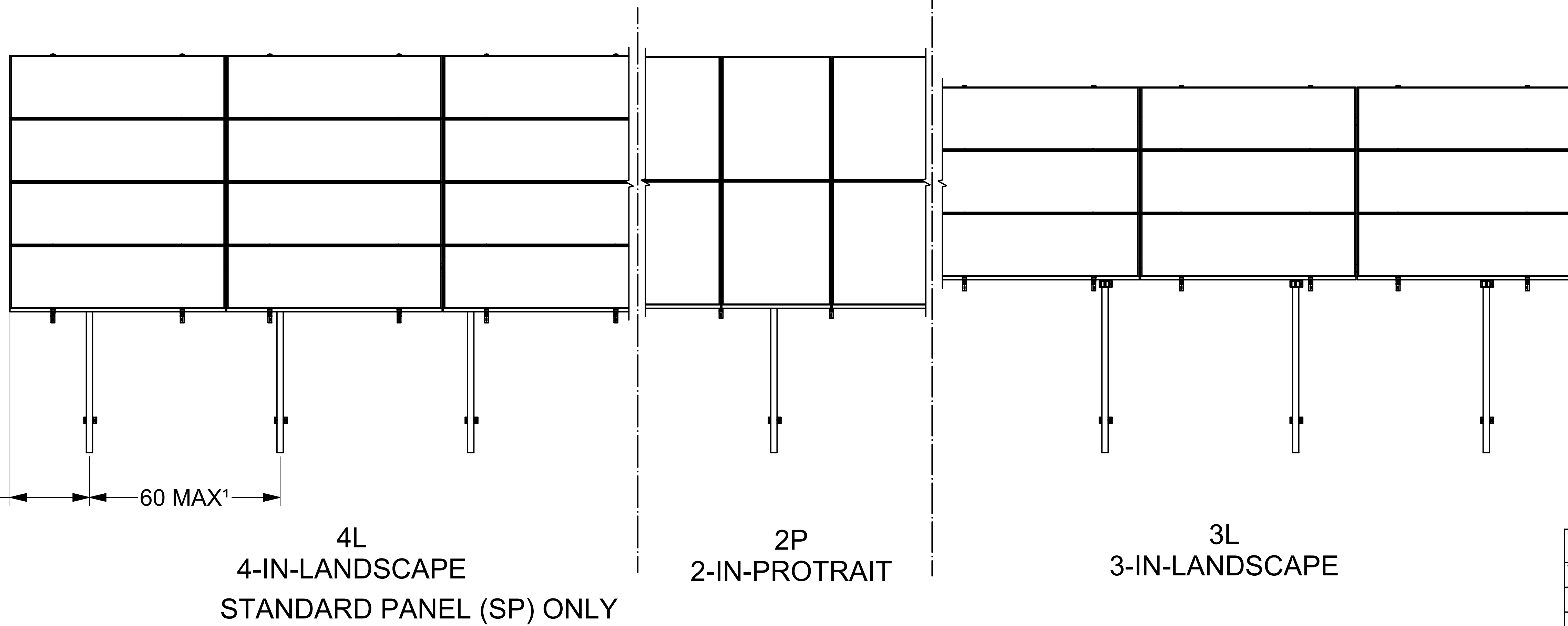
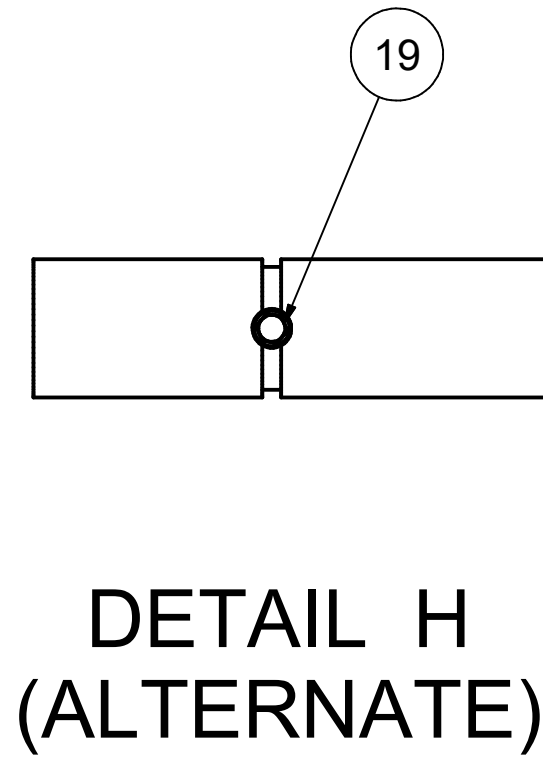
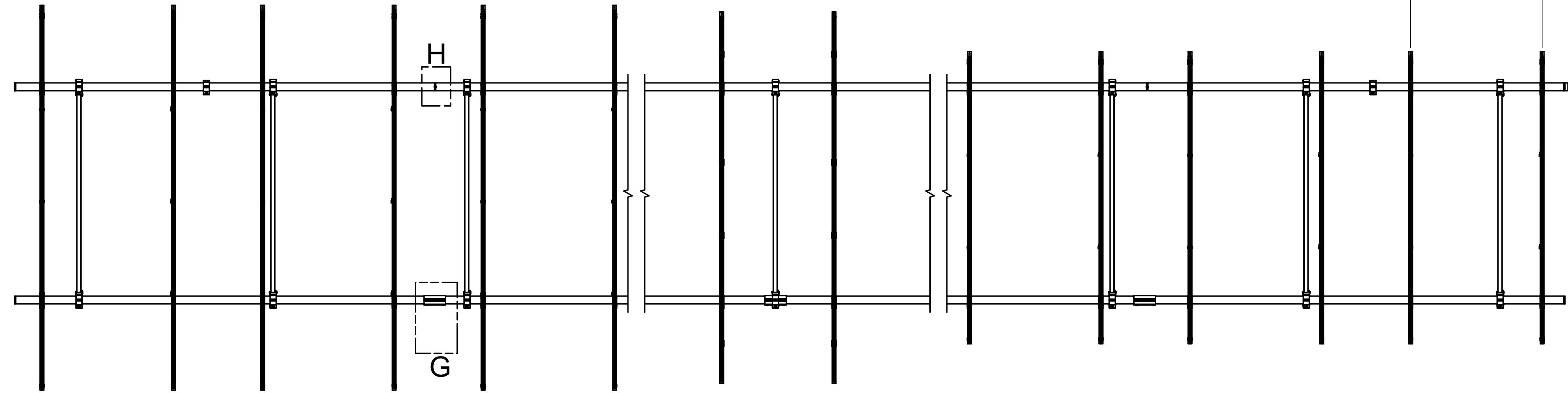
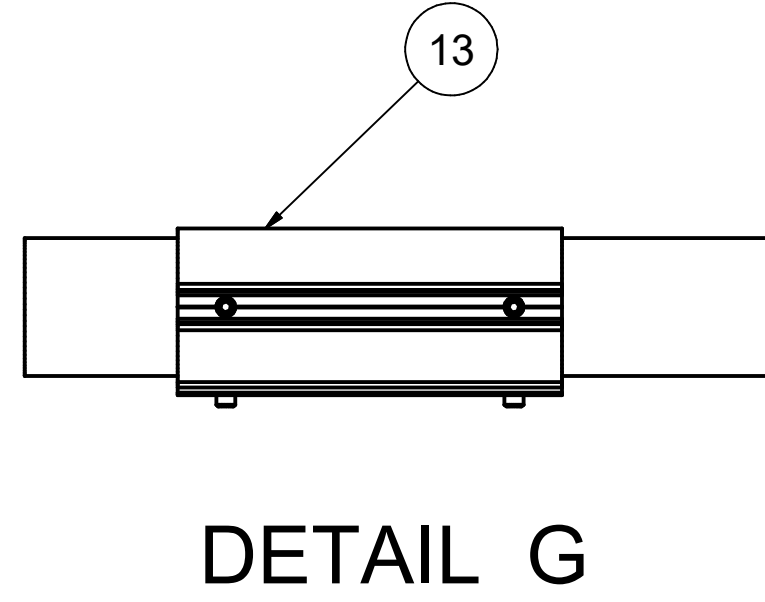
TITLE: PACKET D3
 D: DRAWING NUMBER

SCALE: SHEET 1 of 4

THIS DRAWING IS CONFIDENTIAL PROPERTY OF SUNMODO AND ITS CONTENTS MAY NOT BE DISCLOSED WITHOUT THE PRIOR WRITTEN CONSENT OF SUNMODO CORP.

- NOTES:**
1. DIMENSIONS LABELED AS MAX ARE MAXIMUM ALLOWABLE AND MAY RESULT IN END POSTS BEING OUTSIDE ARRAY EDGES. MAXIMUM DIMENSIONS MAY BE REDUCED IF DESIRED.
 2. SEE NOTE 7 OF COVER PAGE FOR PANEL SIZES.

RAIL SPACING
 LANDSCAPE: PER PANEL MANUFACTURER
 PORTRAIT: PANEL WIDTH + 0.25"



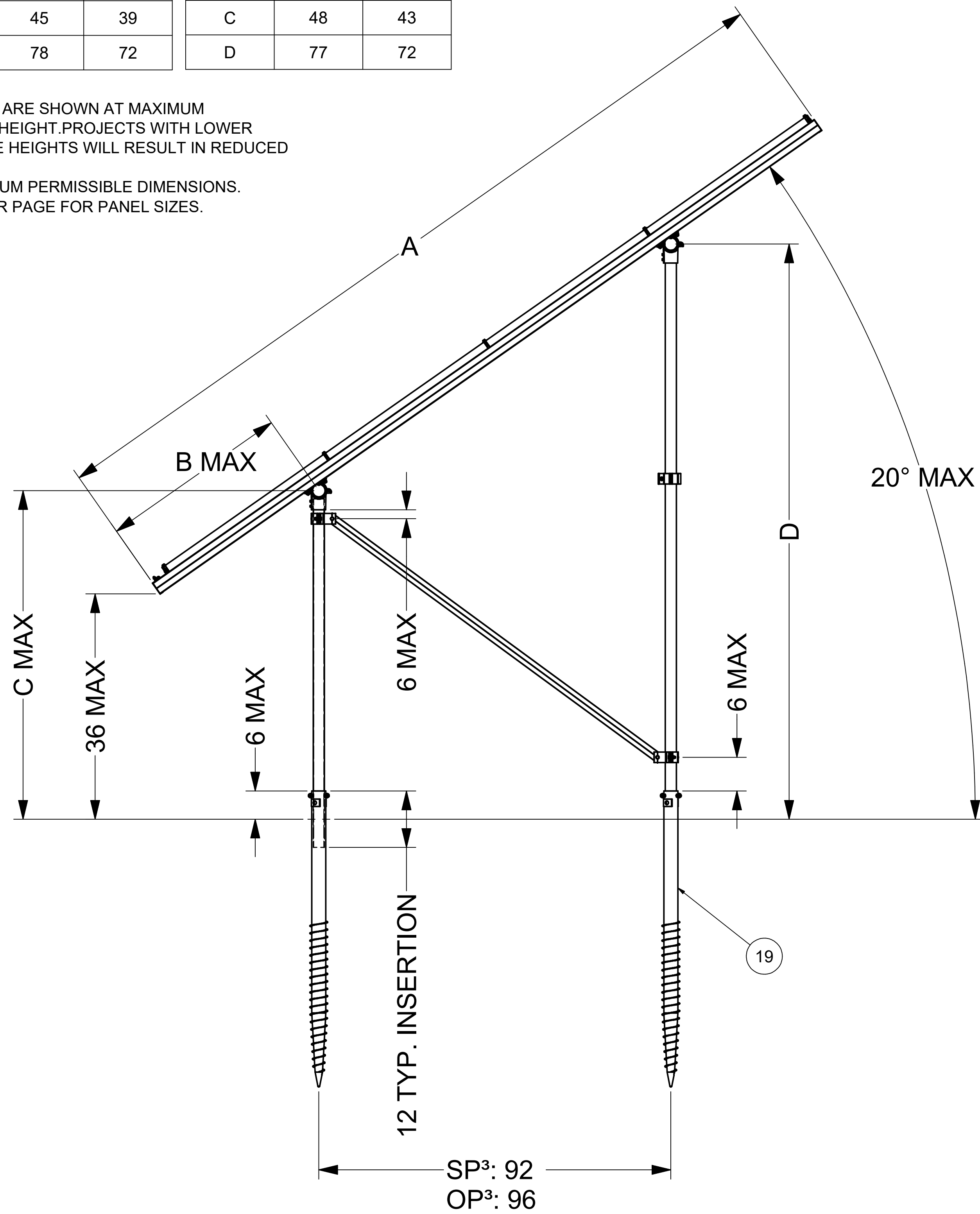
VECTOR ENGINEERS
 651 W. WALTON PARK BLVD. STE. 101 PHONE (821) 990-1778
 DRAPER, UTAH 84020 WWW.VECTORENG.COM
 VECTOR PROJECT #: U2716-0277.211
 LA FIRM LICENSE #: 4634

SunModo Corp.			
TITLE: PACKET D3			
D	DRAWING NUMBER		
SCALE:	SHEET 2 of 4	REV	

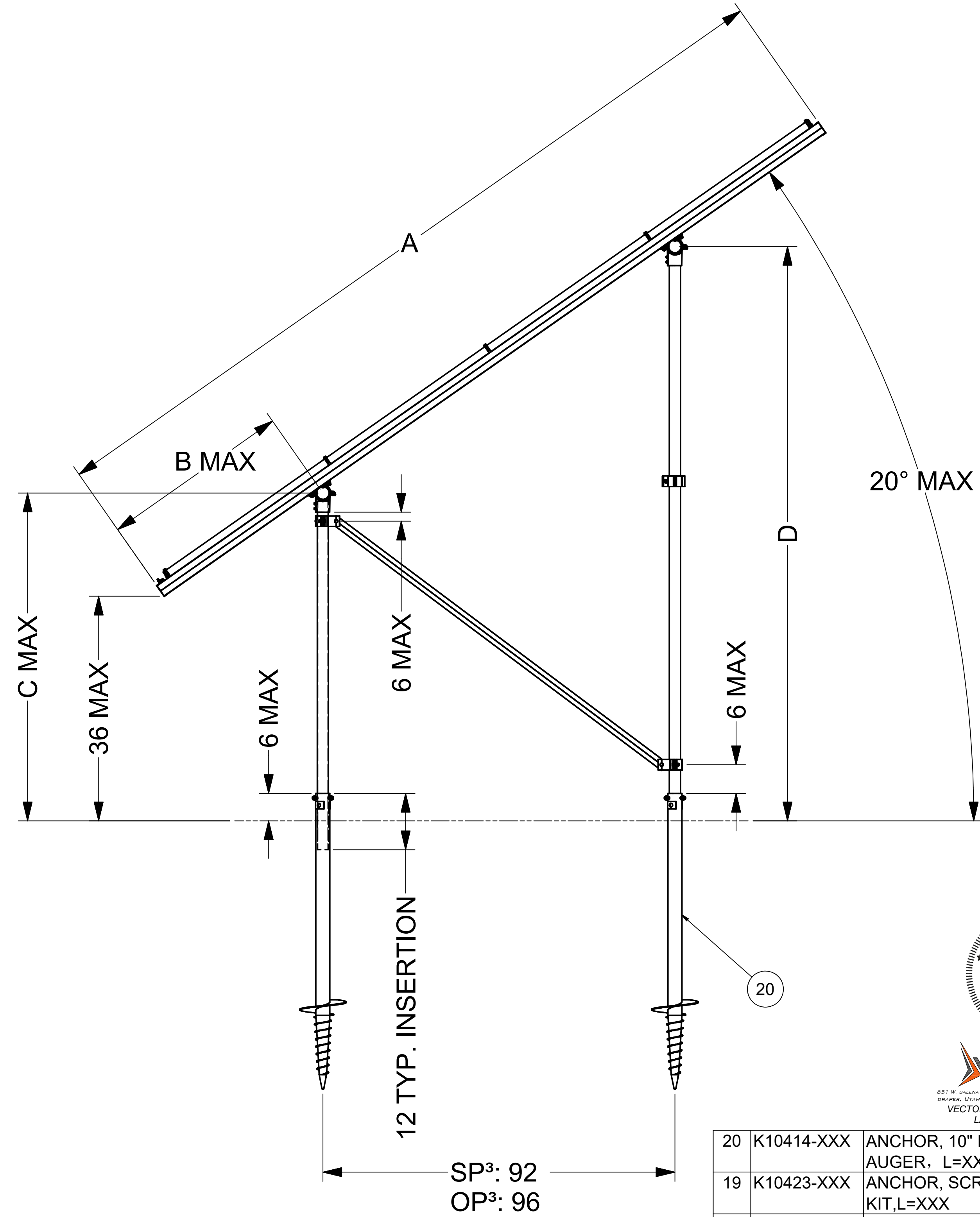
DIMENSIONS - STANDARD PANEL				DIMENSIONS - OVERSIZE PANE		
ITEM	4L	2P	3L	ITEM	2P	3L
A	172	166	130	A	172	140
B	37	34	16	B	43	27
C	46	45	39	C	48	43
D	79	78	72	D	77	72

NOTES

1. DIMENSIONS IN TABLE ARE SHOWN AT MAXIMUM TILT & LEADING EDGE HEIGHT. PROJECTS WITH LOWER TILTS & LEADING EDGE HEIGHTS WILL RESULT IN REDUCED DIMENSIONS.
2. MAX DENOTES MAXIMUM PERMISSIBLE DIMENSIONS.
3. SEE NOTE 7 OF COVER PAGE FOR PANEL SIZES.



GROUND SCREW GROUND MOUNT (GSM)



AUGER GROUND MOUNT (AGM)

ITEM	PART NUMBER	DESCRIPTION	QTY
20	K10414-XXX	ANCHOR, 10" HELIX SCREW AUGER, L=XXX	
19	K10423-XXX	ANCHOR, SCREW AUGER KIT, L=XXX	

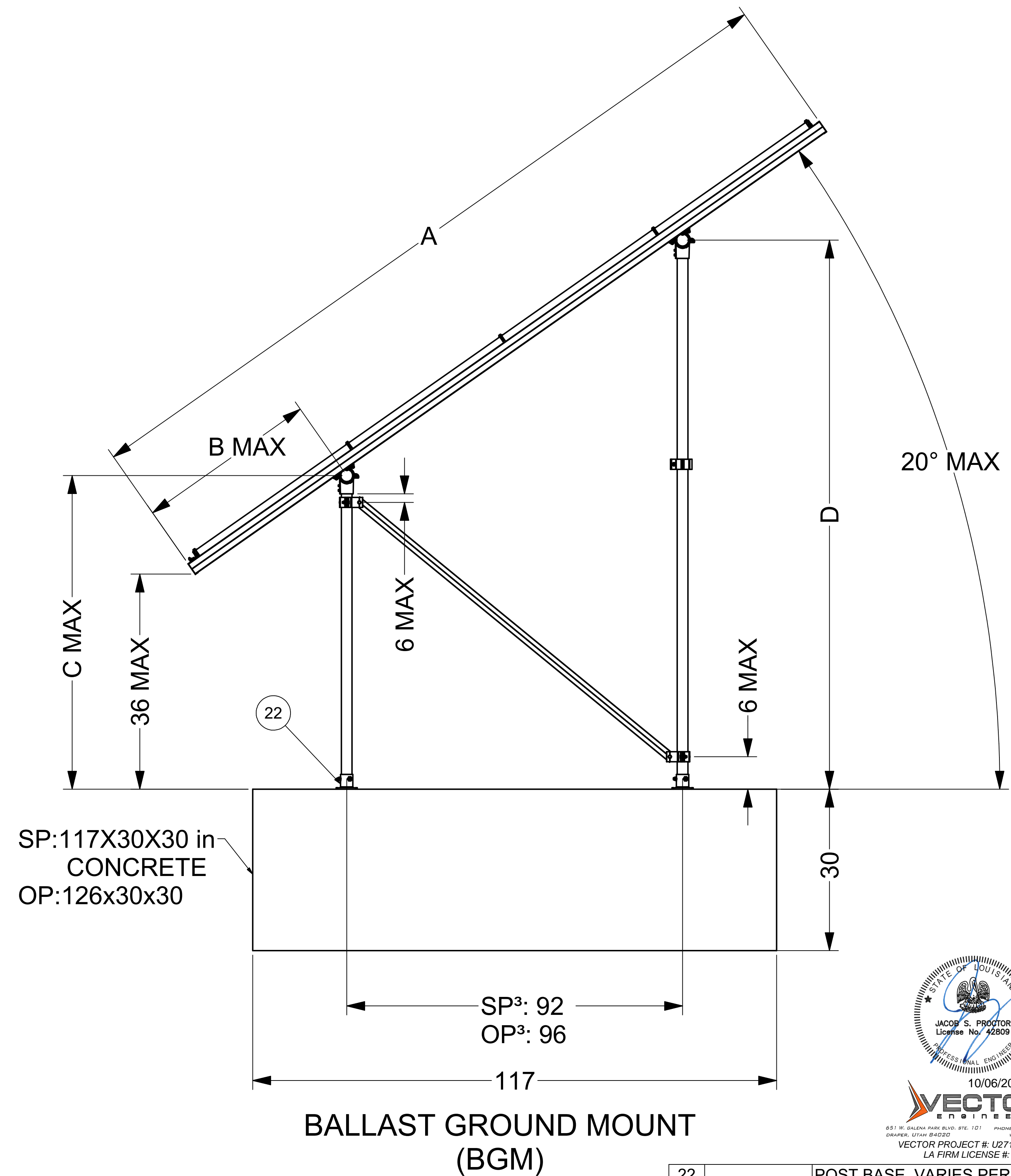
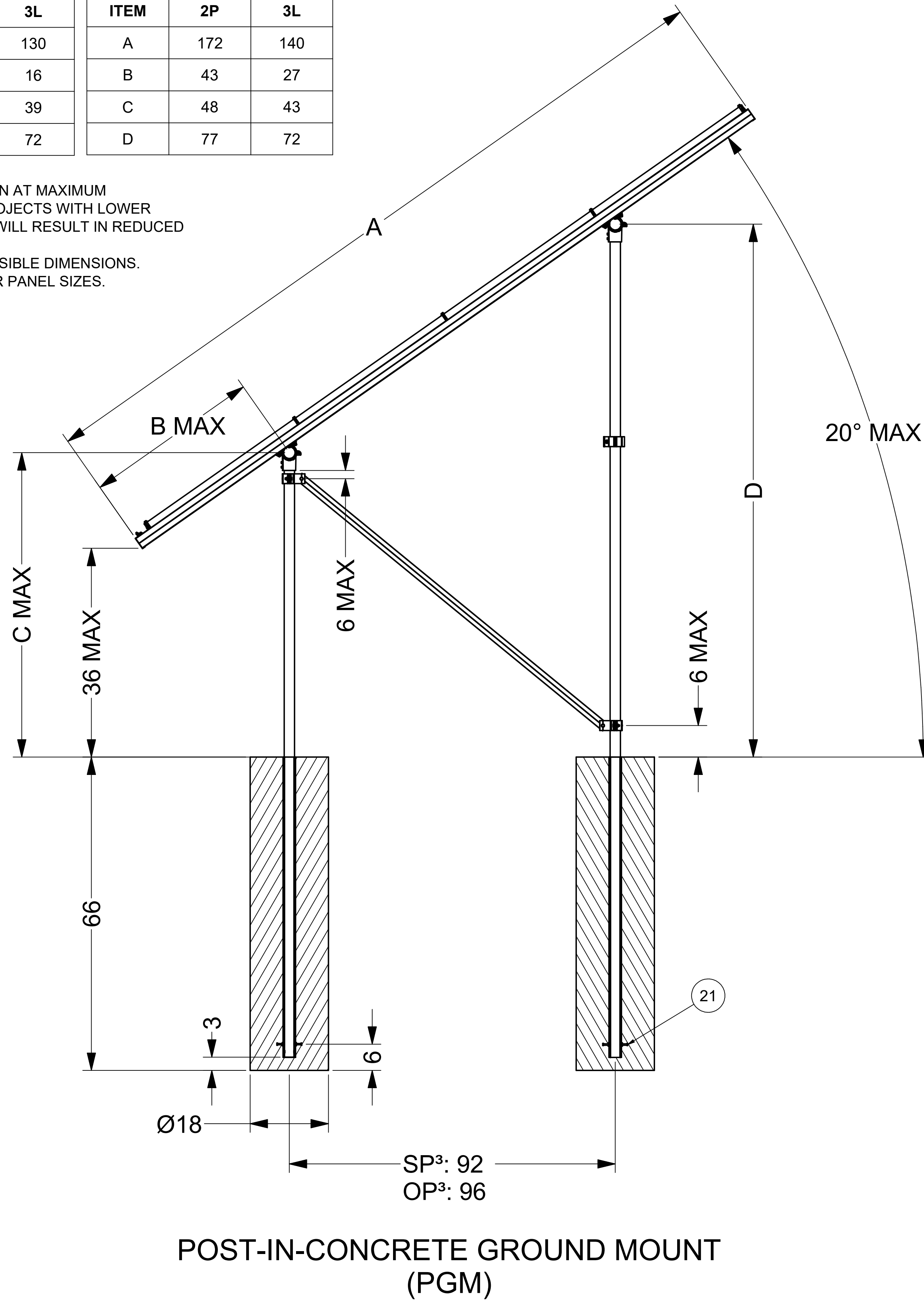


SunModo Corp.	
TITLE: PACKET D3	
DRAWING NUMBER:	
SCALE:	SHEET 3 of 4 REV

DIMENSIONS - STANDARD PANEL				DIMENSIONS - OVERSIZE PANE		
ITEM	4L	2P	3L	ITEM	2P	3L
A	172	166	130	A	172	140
B	37	34	16	B	43	27
C	46	45	39	C	48	43
D	79	78	72	D	77	72

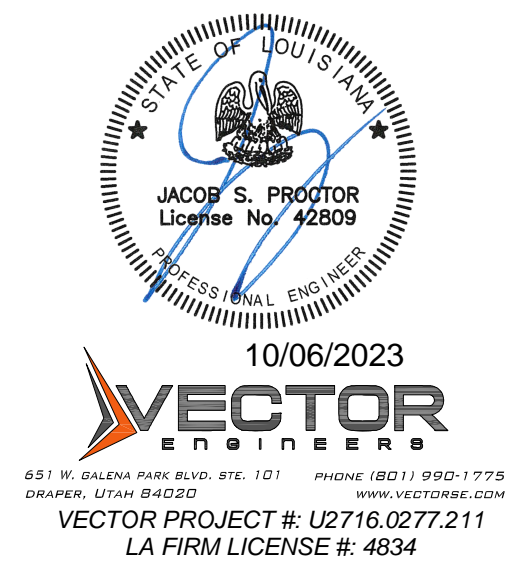
NOTES

1. DIMENSIONS IN TABLE ARE SHOWN AT MAXIMUM TILT & LEADING EDGE HEIGHT. PROJECTS WITH LOWER TILTS & LEADING EDGE HEIGHTS WILL RESULT IN REDUCED DIMENSIONS.
2. MAX DENOTES MAXIMUM PERMISSIBLE DIMENSIONS.
3. SEE NOTE 7 OF COVER PAGE FOR PANEL SIZES.
4. K10268-005 (2" PIPE BASE KIT) OR K10302-001 (2" PIPE BASE KIT)



BALLAST GROUND MOUNT (BGM)

22		POST BASE. VARIES PER NOTE 4	
21	K10186-001	EMBEDDED 2.0" PIPE CLAMP KIT	
ITEM	PART NUMBER	DESCRIPTION	QTY



SunModo Corp.	
TITLE: PACKET D3	
D	DRAWING NUMBER
SCALE:	SHEET 4 of 4 REV