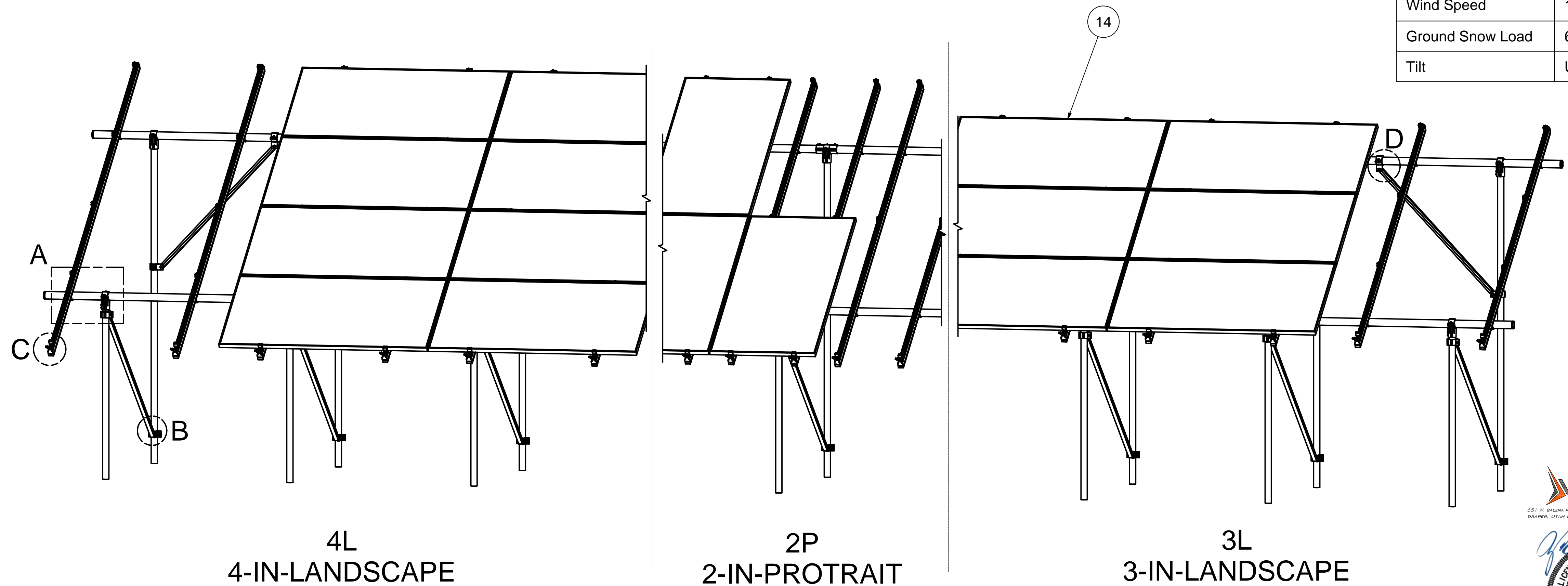


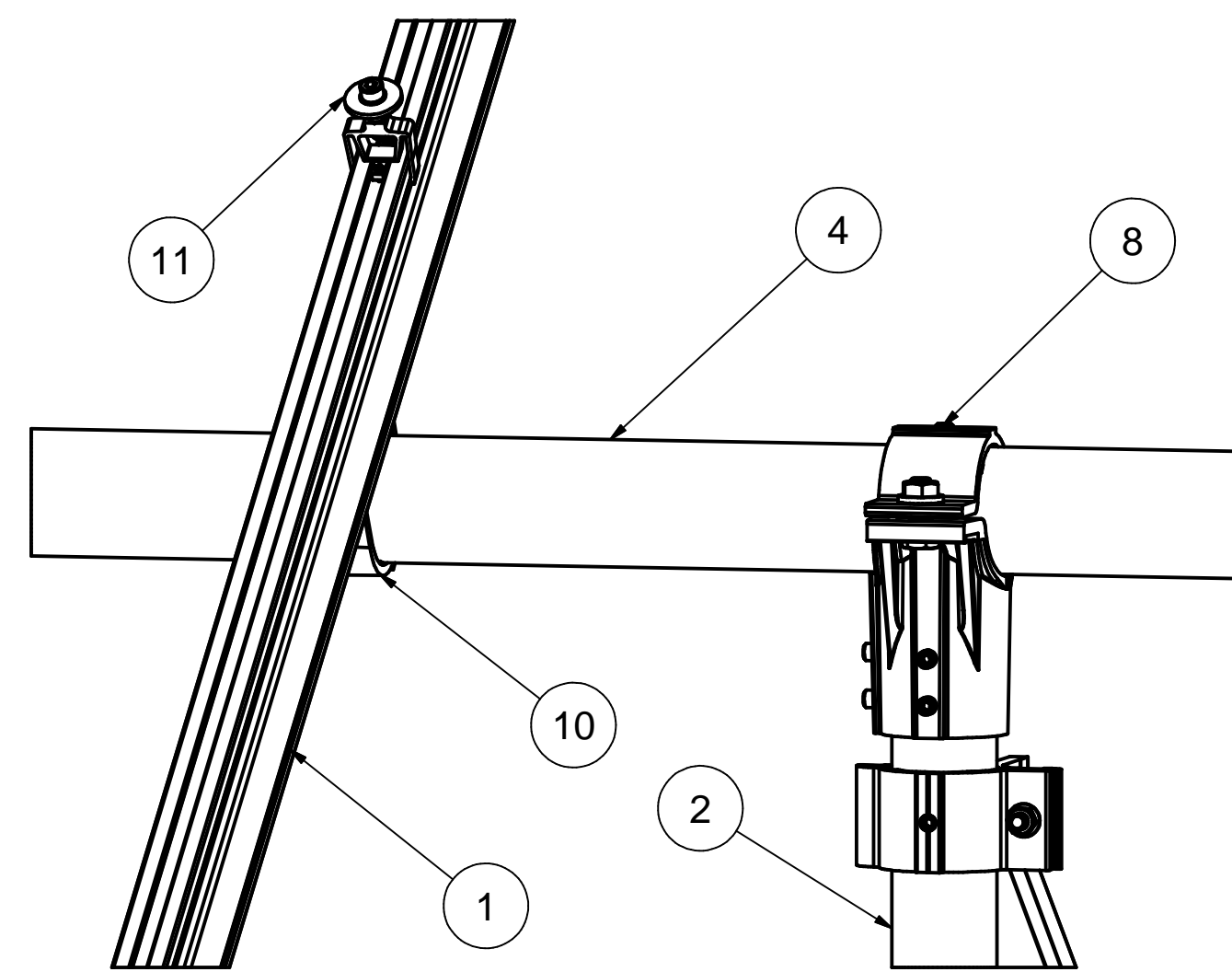
Model Code	ASCE 7-16
Exposure Category	C
Wind Speed	135 mph and Lower
Ground Snow Load	60 PSF and Lower
Tilt	UP TO 35 DEG

NOTES: UNLESS OTHERWISE SPECIFIED

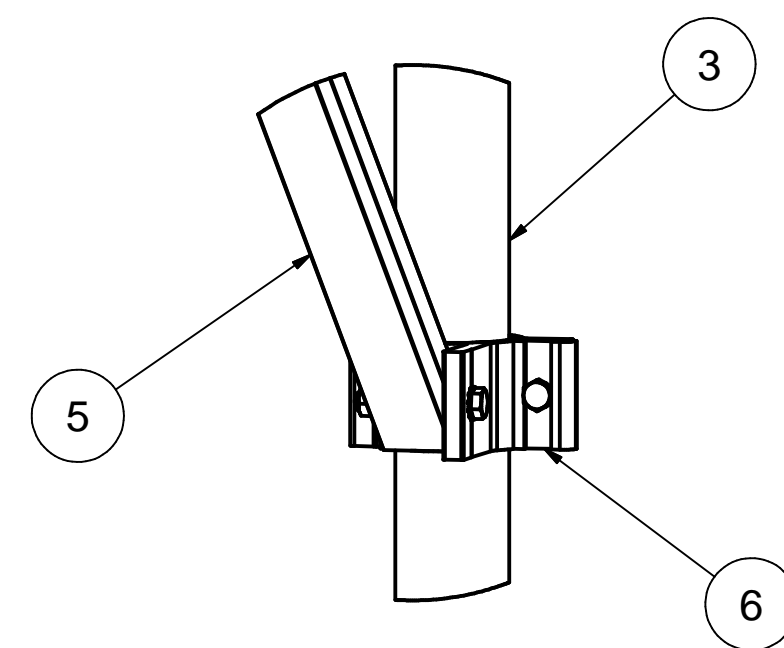
- THIS DRAWING IS NOT FOR CONSTRUCTION UNTIL ENGINEERING HAS REVIEWED AND STAMPED THIS DOCUMENT.
- DIMENSIONS SHOWN ARE INCHES.
- THE SELF-BONDING SYSTEM AND SINGLE GROUND LUG IS FOR USE WITH PV MODULES THAT HAVE A MAXIMUM SERIES FUSE RATING OF 30A.
- MATERIALS ARE AS SPECIFIED OR EQUIVALENT:
 HARDWARE: 304 STAINLESS STEEL
 FABRICATED EXTRUDED PARTS: 6005-T5 ALUMINUM ALLOY
 FABRICATED DIE CAST PARTS: ANSI/AA A380 ALUMINUM ALLOY
 STEEL PIPE: SCHEDULE 40 GALVANIZED
 ALUMINUM PIPE: SCHEDULE 10 ANODIZED
- THE MAXIMUM PERMISSIBLE LENGTH OF ANY STRUCTURE SHALL BE 200 FT. FOR SYSTEMS USING A SHARED RAIL CONFIGURATION, A THERMAL BREAK IS REQUIRED IN THE RAIL EVERY 40 FT. PER THE DRAWING DETAILS.
- SUNTURF SYSTEM CONFIGURATIONS:
 PANEL ARRANGEMENT: 4LXN, 3LXN, OR 2PXN.
 TILT ANGLE: UP TO 35DEG.
 FOUNDATION TYPE: GSM, AGM, BGM, OR PGM.
- PANEL DIMENSIONS ARE AS FOLLOWS:
 STANDARD PANEL (SP): MAX AREA: 3444 in²
 LARGE FORMAT (LF): MAX AREA: 3825 in²
 PANEL FRAME HEIGHTS: 30mm TO 50mm.
- FOUNDATION TYPES:
 GSM = GROUND SCREW GROUND MOUNT
 AGM = HELICAL AUGER GROUND MOUNT
 PGM = POST-IN-CONCRETE GROUND MOUNT
 BSM = BALLAST GROUND MOUNT
- SEE LETTER PROVIDED BY VECTOR STRUCTURAL ENGINEERING, LLC FOR FOUNDATION DESIGN AND LOAD TESTING REQUIREMENTS.



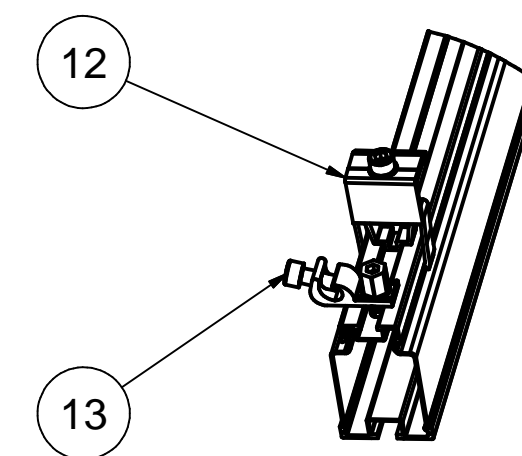
10/11/2023
 License Expires: 11-30-2024
 Firm License Number: 184.005810 - COA
 VSE Project Number: U2716.0350.221



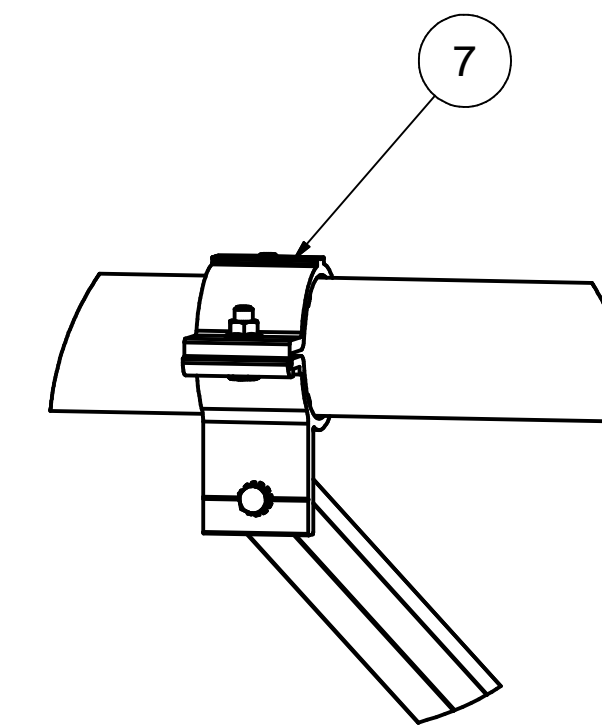
DETAIL A



DETAIL B



DETAIL C



DETAIL D

ITEM	PART NUMBER	DESCRIPTION	QTY
14		PANEL	
13	K10469-001	SMR GROUND LUG KIT	
12	K10418-XXX	SMR POP-ON END CLAMP KIT,CLEAR	
11	K10417-XXX	MID CLAMP,SMR POP-ON,CLEAR	
10	K10343-005	2.5" AL PIPE U-CLAMP KIT	
9	K10342-001	2.5" PIPE SPLICE KIT	
8	K10341-002	2.5" PIPE TEE KIT	
7	K10222-001	2.5" PIPE CLAMP KIT	
6	K10219-001	2" AL PIPE CLAMP KIT	
5	A50164-XXX	1.5" SQ. STL TUBE BRACE, L=XXX	
4	A21168-XXX	PIPE, HSS, 2.875" OD X 12 GAUGE,L=XXX	
3	A21165-XXX (REAR)	PIPE, HSS, 2.375" OD X 12 GAUGE,L=XXX	
2	A21165-XXX (FRONT)	PIPE, HSS, 2.375" OD X 12 GAUGE,L=XXX	
1	A20444-XXX	SMR300 RAIL, L=XXX	

MATERIAL: SEE BOM

Third Angle Projection:

GENERAL SPECIFICATIONS
 All Dimensions in inches (millimeters)
 Tolerances:
 FRACTIONS (0.25mm)
 DECIMALS (0.1mm)
 X.XX (0.5mm)
 X.XXX (0.5mm)
 UNLESS OTHERWISE SPECIFIED

Break all sharp edges
 0.010 (0.25mm) unless otherwise specified

DATE: 08/15/2022
 DRAWN BY: KYV
 CHECKED BY:

SunModo Corp.
 14800 NE 65TH STREET, VANCOUVER WA 98682

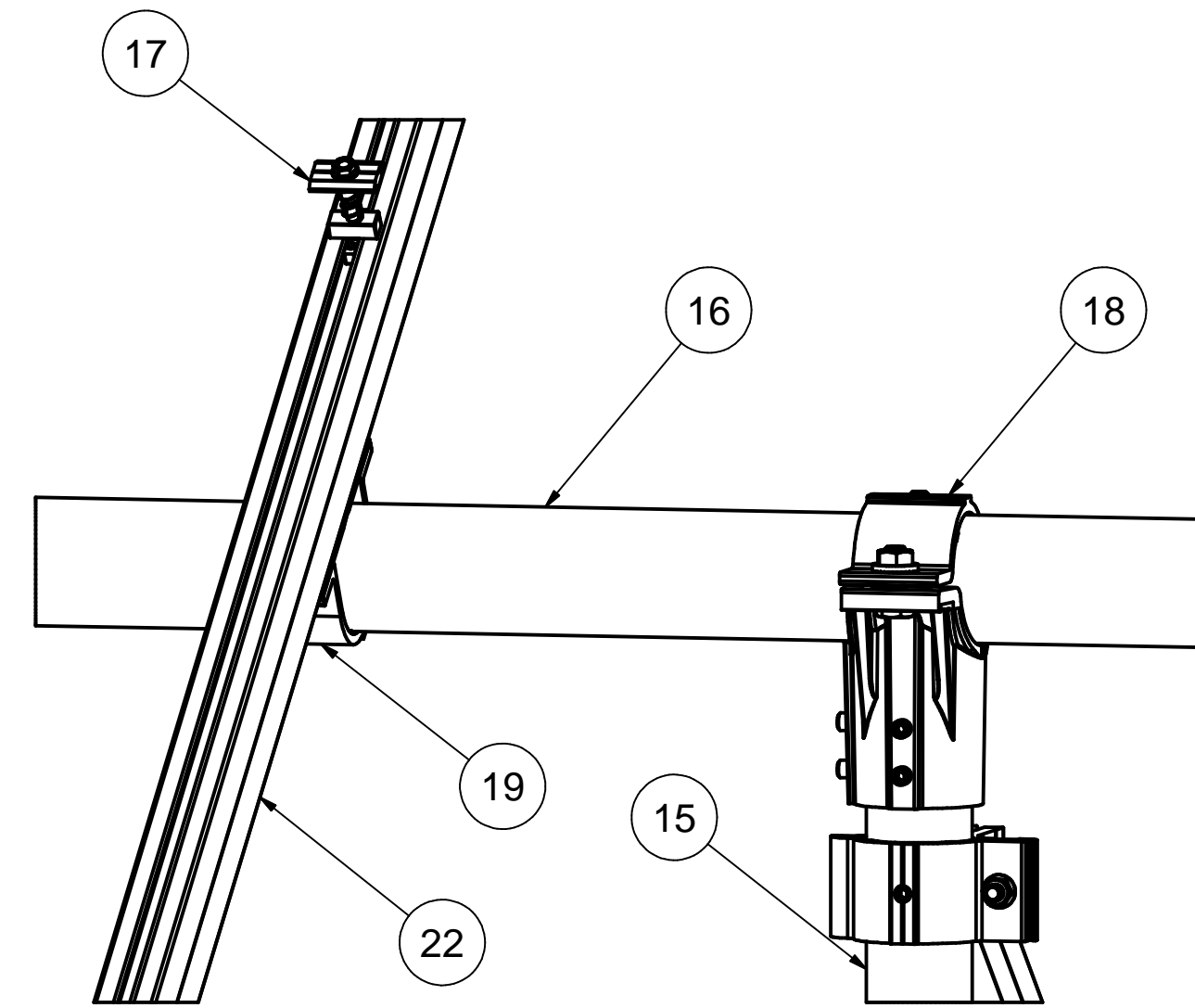
TITLE: PACKET A3
 DRAWING NUMBER: D

SCALE: SHEET 1 of 5

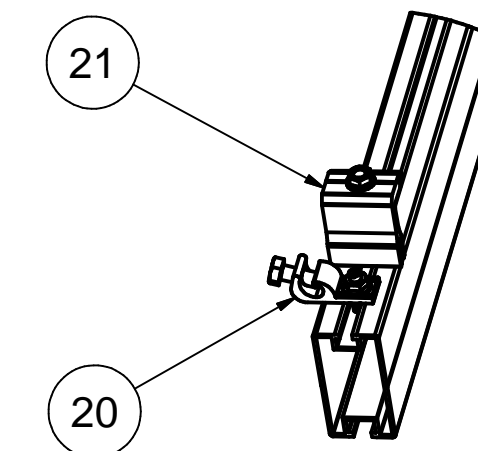
NOTES: UNLESS OTHERWISE SPECIFIED

1. APPROVED RAIL PROFILES - STANDARD PANELS
A20288-XXX (HR300 RAIL), A20297-001 (END CAP),
K10343-002 (U-CLAMP KIT);
A20145-XXX (HR350 RAIL), A20285-001 (END CAP),
K10343-001 (U-CLAMP KIT).
2. APPROVED RAIL PROFILES - OVERSIZE PANELS
* A20288-XXX (HR300 RAIL), A20297-001 (END CAP),
K10343-002 (U-CLAMP KIT);
* A20145-XXX (HR350 RAIL), A20285-001 (END CAP),
K10343-001 (U-CLAMP KIT).
3. K10224-XXX END CLAMP KIT OR K10299-XXX ADJ.
END CLAMP KIT.

ALTERNATE(ALT) DETAILS
HR300, HR350 RAIL PROFILES



DETAIL A-ALT



DETAIL C-ALT

VECTOR
ENGINEERS

Wells L. Holmes

LICENSED STRUCTURAL ENGINEER
WELLS L. HOLMES
081.008195
STATE OF ILLINOIS

10/11/2023
License Expires: 11-30-2024
Firm License Number: 184.005810 - COA
VSE Project Number: U2716.0350.221

22		HELIO RAIL. VARIES PER NOTE 1 & 2	
21		END CLAMP KIT. VARIES PER NOTE 3	
20	K10469-003	HR GROUNDING LUG KIT	
19	K10343-XXX	2.5" AL PIPE U-CLAMP KIT	
18	K10341-002	2.5" PIPE TEE KIT	
17	K10180-001	GROUNDING MID-CLAMP KIT WITH T COLLAR BOLT AND GROUNDING BASE	
16	A21168-XXX	PIPE, HSS, 2.875" OD X 12 GAUGE, L=XXX	
15	A21165-XXX	PIPE, HSS, 2.375" OD X 12 GAUGE, L=XXX	
ITEM	PART NUMBER	DESCRIPTION	QTY

SunModo Corp.

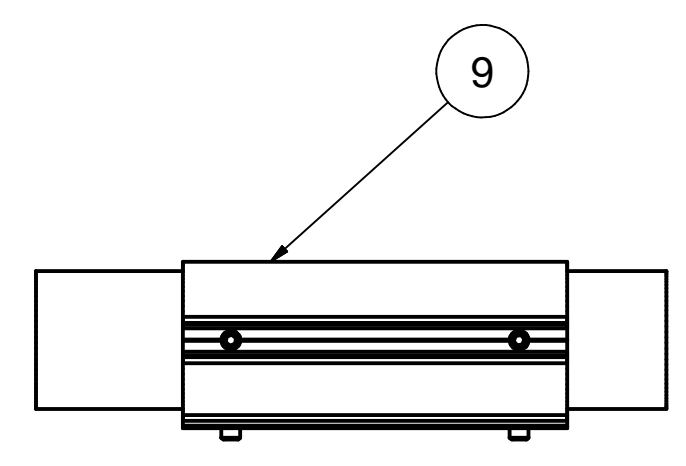
TITLE
PACKET A3

DRAWING NUMBER

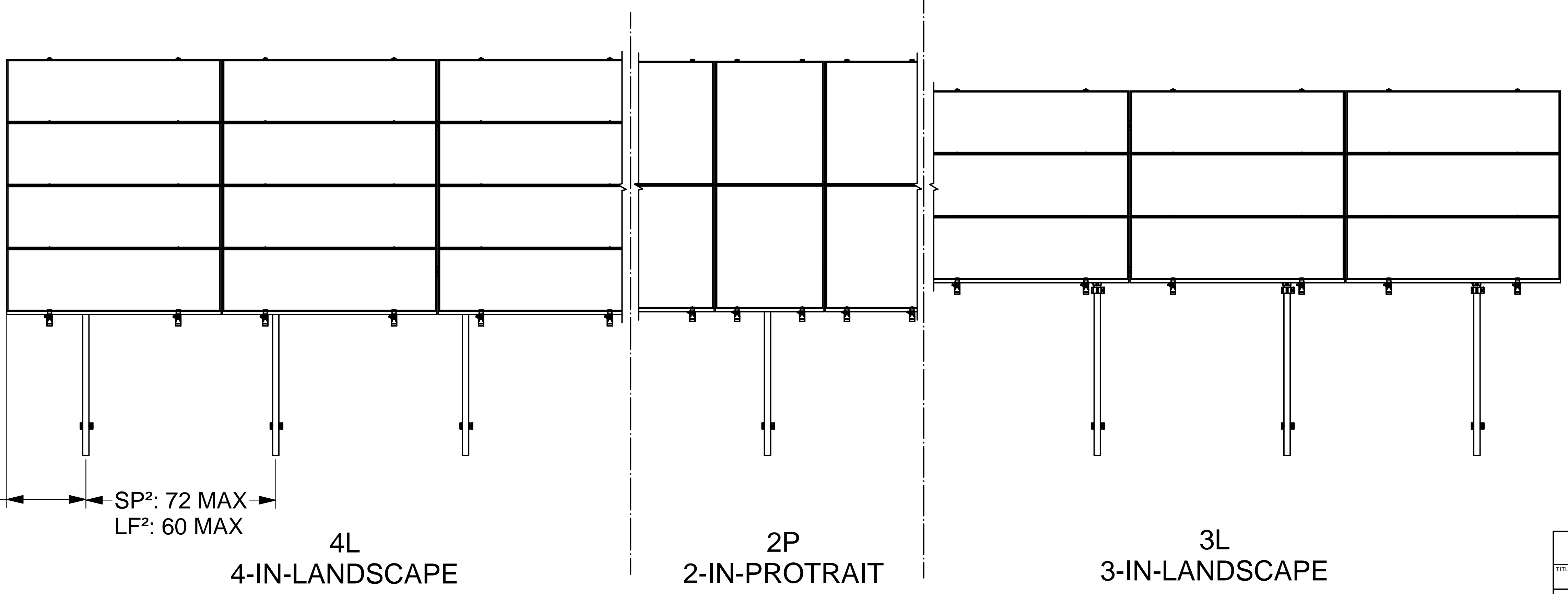
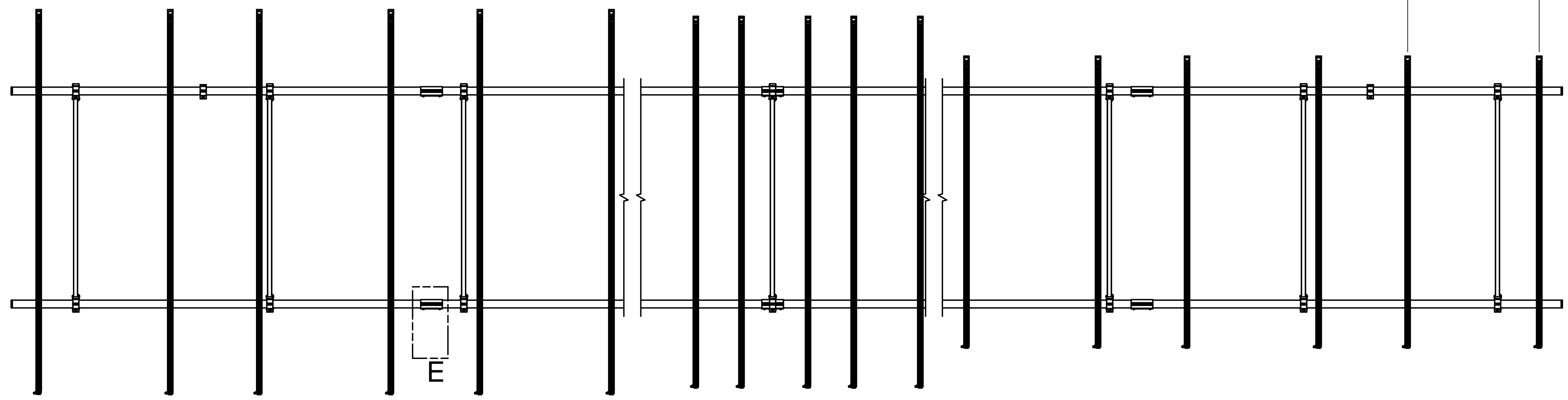
SCALE: SHEET 2 of 5 REV

NOTES:
 1. DIMENSIONS LABELED AS MAX ARE MAXIMUM ALLOWABLE AND MAY RESULT IN END POSTS BEING OUTSIDE ARRAY EDGES. MAXIMUM DIMENSIONS MAY BE REDUCED IF DESIRED.
 2. SEE NOTE 7 OF COVER PAGE FOR PANEL SIZES.

RAIL SPACING
 PER PANEL MANUFACTURER



DETAIL E



10/11/2023
 License Expires: 11-30-2024
 Firm License Number: 184.005810 - COA
 VSE Project Number: U2716.0350.221

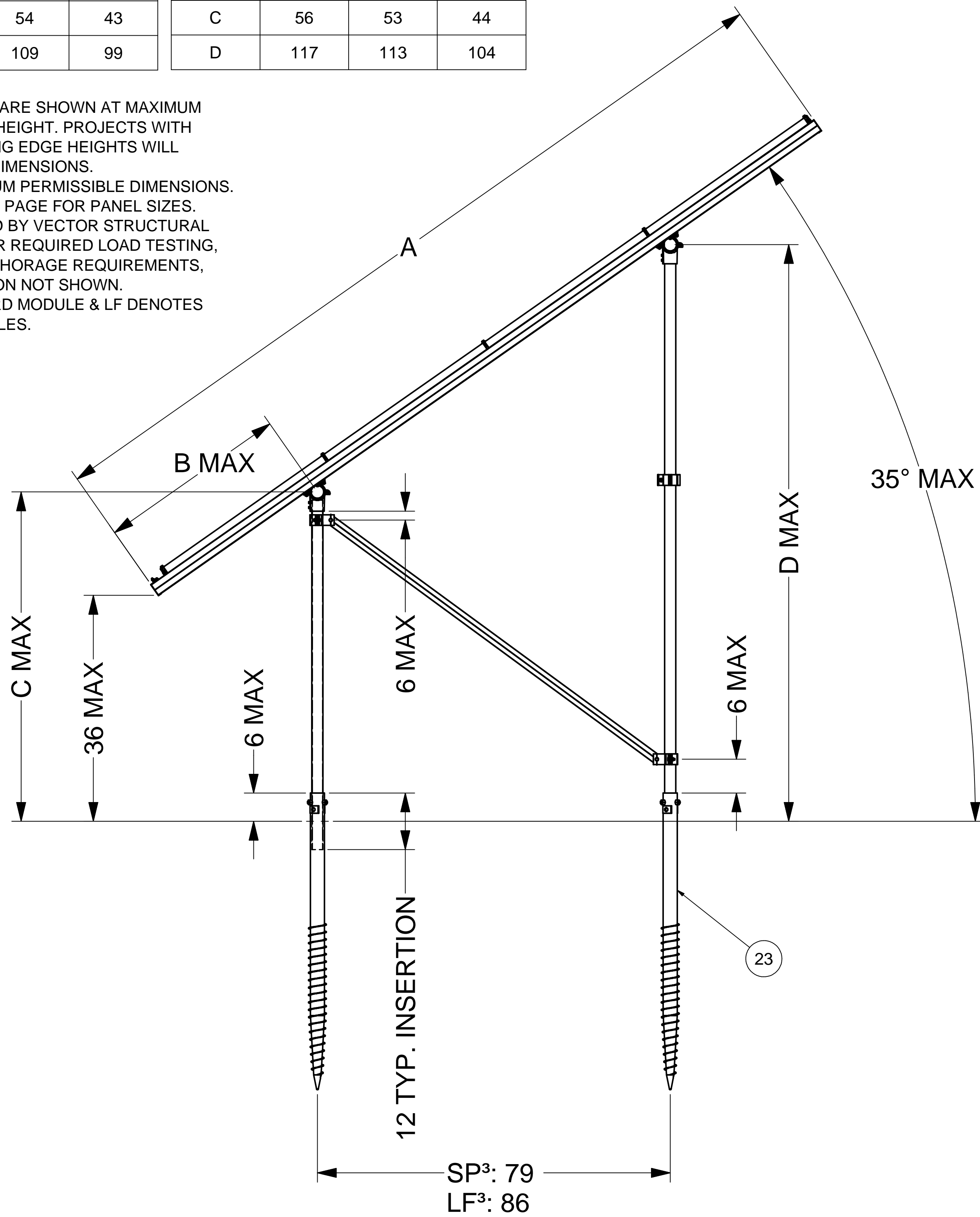
SunModo Corp.			
TITLE: PACKET A3			
DRAWING NUMBER: D			
SCALE:	SHEET 3 of 5	REV	

DIMENSIONS - STANDARD PANEL			
ITEM	4L	2P	3L
A	172	166	130
B	38	35	17
C	55	54	43
D	111	109	99

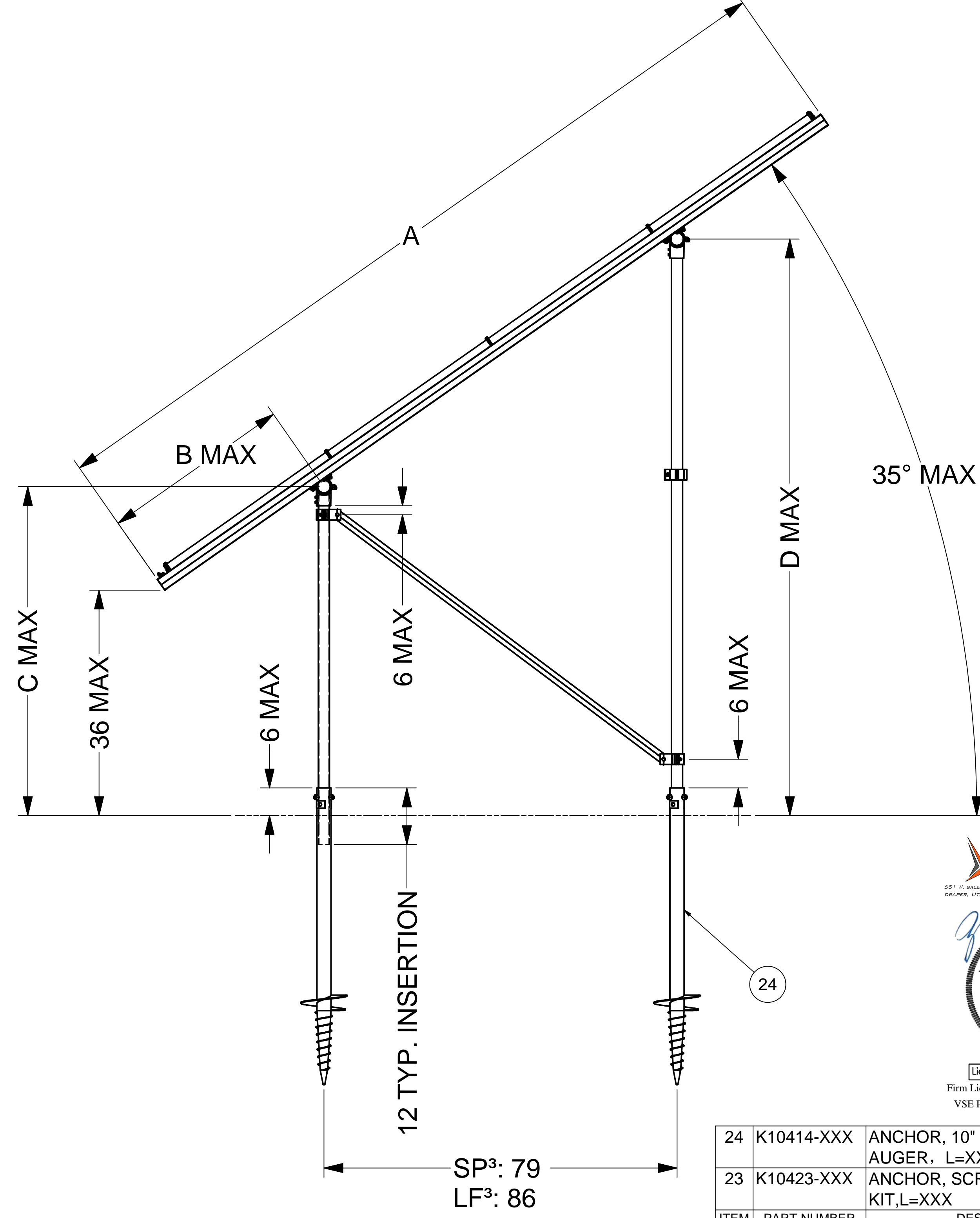
DIMENSIONS - LARGE FORMAT PANEL			
ITEM	4L	2P	3L
A	184	172	140
B	40	34	18
C	56	53	44
D	117	113	104

NOTES

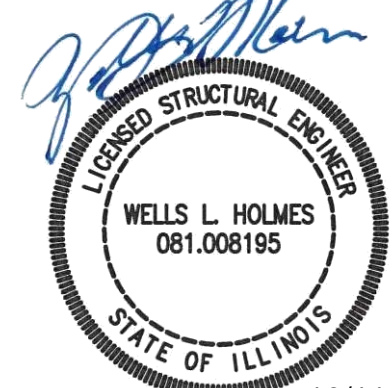
1. DIMENSIONS IN TABLE ARE SHOWN AT MAXIMUM TILT & LEADING EDGE HEIGHT. PROJECTS WITH LOWER TILTS & LEADING EDGE HEIGHTS WILL RESULT IN REDUCED DIMENSIONS.
2. MAX DENOTES MAXIMUM PERMISSIBLE DIMENSIONS.
3. SEE NOTE 7 OF COVER PAGE FOR PANEL SIZES.
4. SEE LETTER PROVIDED BY VECTOR STRUCTURAL ENGINEERING, LLC FOR REQUIRED LOAD TESTING, FOUNDATION AND ANCHORAGE REQUIREMENTS, AND OTHER INFORMATION NOT SHOWN.
5. SP DENOTES STANDARD MODULE & LF DENOTES LARGE FORMAT MODULES.



GROUND SCREW GROUND MOUNT (GSM)⁴



AUGER GROUND MOUNT (AGM)⁴



10/11/2023
 License Expires: 11-30-2024
 Firm License Number: 184.005810 - COA
 VSE Project Number: U2716.0350.221

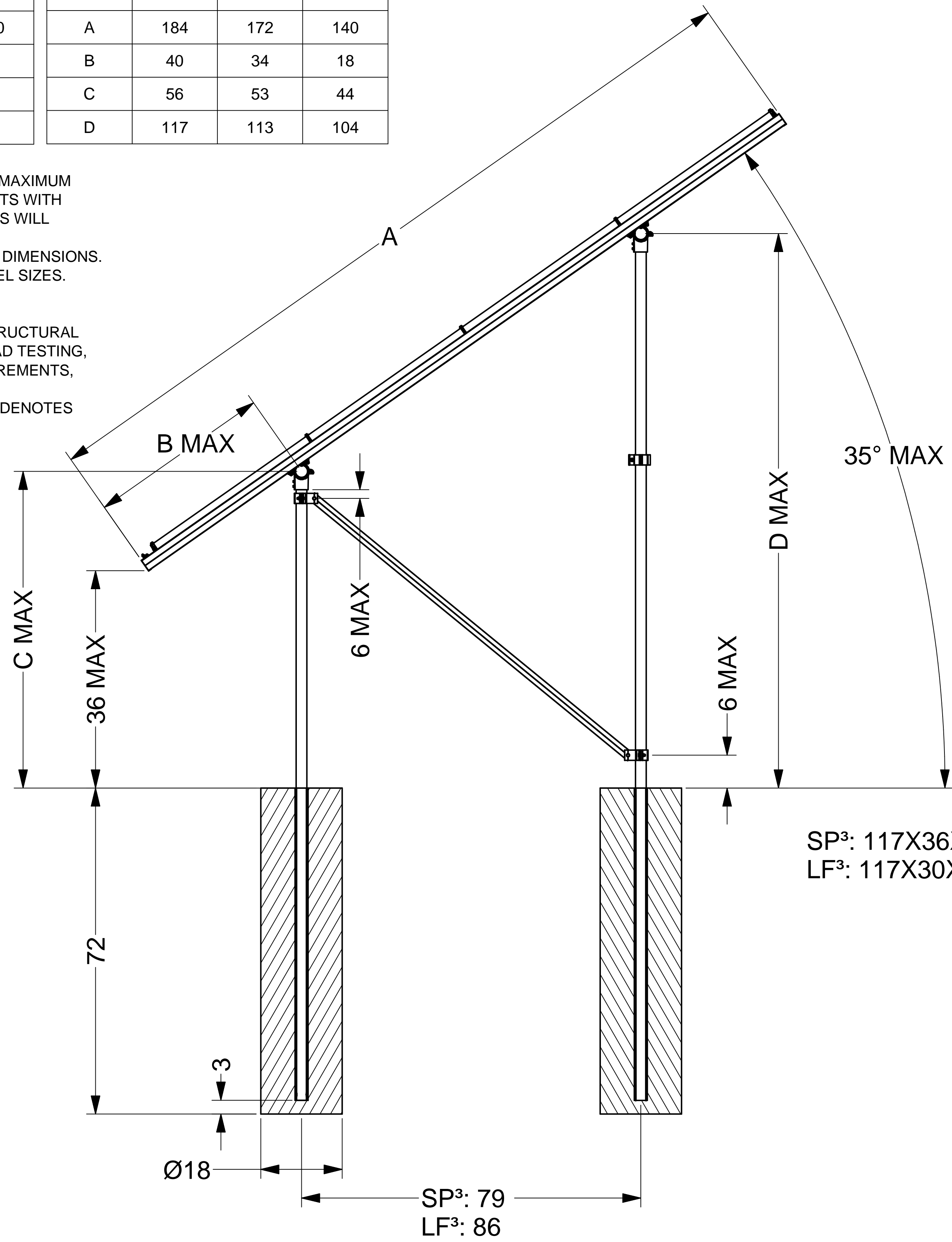
ITEM	PART NUMBER	DESCRIPTION	QTY
24	K10414-XXX	ANCHOR, 10" HELIX SCREW AUGER, L=XXX	
23	K10423-XXX	ANCHOR, SCREW AUGER KIT, L=XXX	

SunModo Corp.	
TITLE PACKET A3	
DRAWING NUMBER	
SCALE:	SHEET 4 of 5 REV

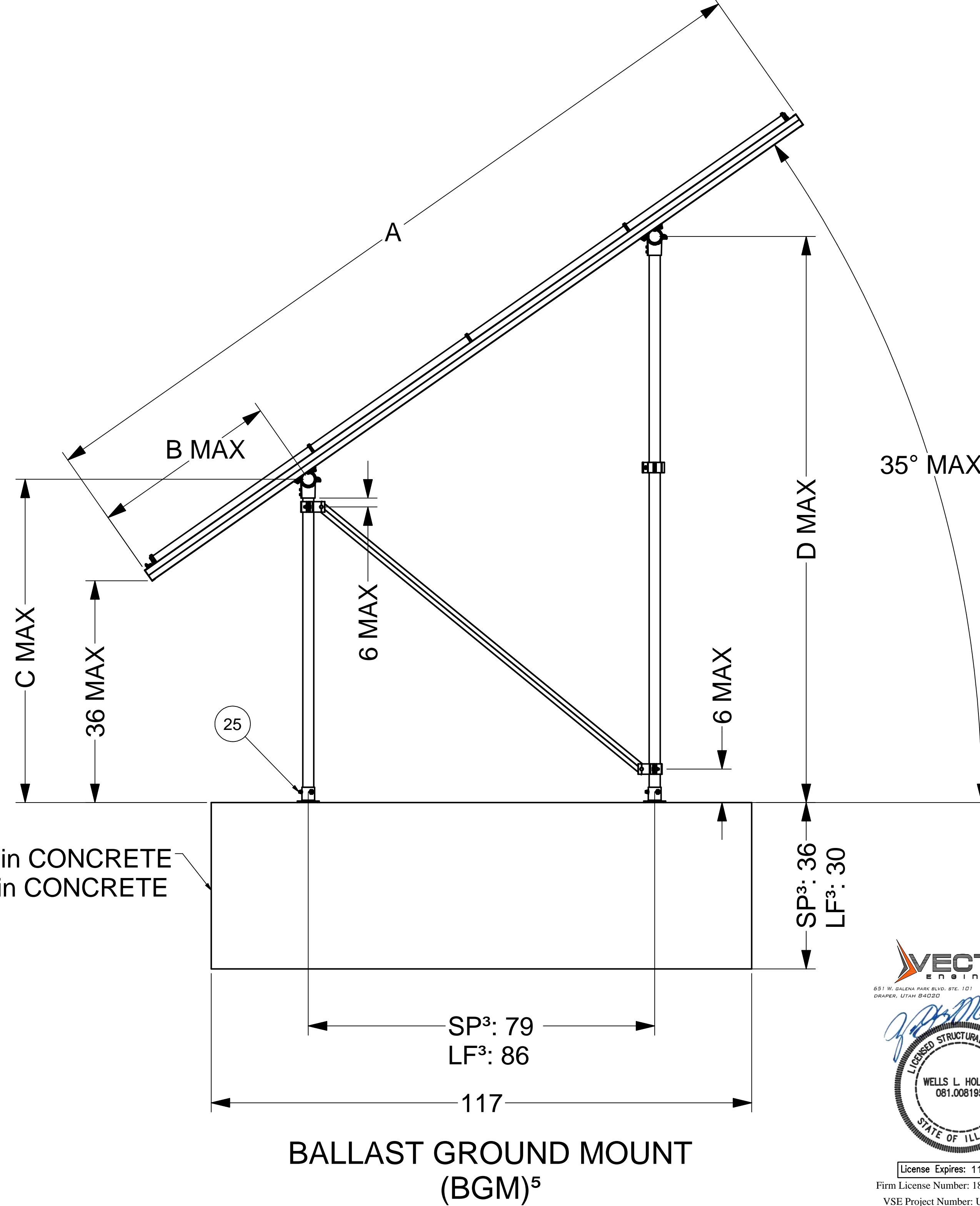
DIMENSIONS - STANDARD PANEL				DIMENSIONS - LARGE FORMAT PANEL			
ITEM	4L	2P	3L	ITEM	4L	2P	3L
A	172	166	130	A	184	172	140
B	38	35	17	B	40	34	18
C	55	54	43	C	56	53	44
D	111	109	99	D	117	113	104

NOTES

1. DIMENSIONS IN TABLE ARE SHOWN AT MAXIMUM TILT & LEADING EDGE HEIGHT. PROJECTS WITH LOWER TILTS & LEADING EDGE HEIGHTS WILL RESULT IN REDUCED DIMENSIONS.
2. MAX DENOTES MAXIMUM PERMISSIBLE DIMENSIONS.
3. SEE NOTE 7 OF COVER PAGE FOR PANEL SIZES.
4. K10268-005 (2" PIPE BASE KIT) OR K10302-001 (2" PIPE BASE KIT)
5. SEE LETTER PROVIDED BY VECTOR STRUCTURAL ENGINEERING, LLC FOR REQUIRED LOAD TESTING, FOUNDATION AND ANCHORAGE REQUIREMENTS, AND OTHER INFORMATION NOT SHOWN.
6. SP DENOTES STANDARD MODULE & LF DENOTES LARGE FORMAT MODULES.



POST-IN-CONCRETE GROUND MOUNT (PGM)⁵



BALLAST GROUND MOUNT (BGM)⁵

SP³: 117X36X36 in CONCRETE
LF³: 117X30X30 in CONCRETE

VECTOR ENGINEERS
851 W. SILVER PINE BLVD. STE. 101 DRAPER, UTAH 84020 PHONE: (801) 990-1775 WWW.VECTORENG.COM

Wells L. Holmes
LICENSED STRUCTURAL ENGINEER
WELLS L. HOLMES
081.008195
STATE OF ILLINOIS

10/11/2023
License Expires: 11-30-2024
Firm License Number: 184.005810 - COA
VSE Project Number: U2716.0350.221

25		POST BASE. VARIES PER NOTE	
ITEM	PART NUMBER	DESCRIPTION	QTY
		SunModo Corp.	
TITLE		PACKET A3	
DRAWING NUMBER			
SCALE:	SHEET 5 of 5	REV	