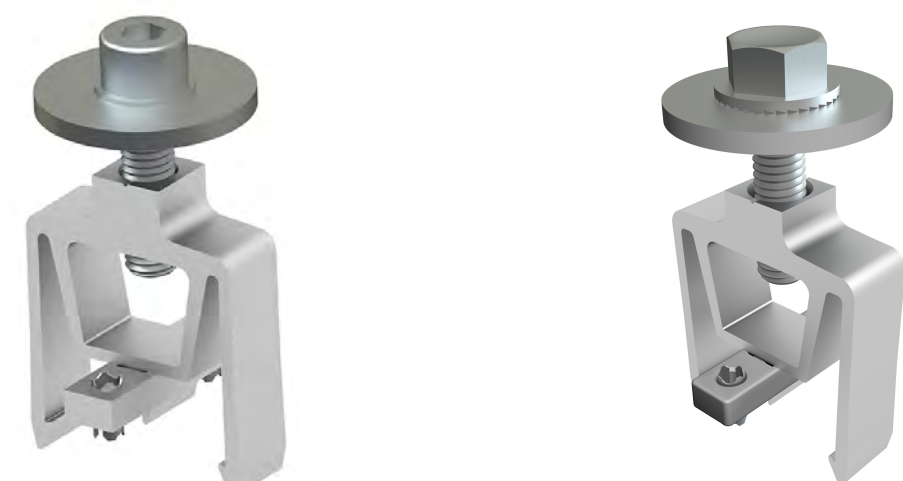


SMR300 Rail A20444-xxx



| P/N | Description |
|-------------------|--------------------------------|
| A20444-174/212-ML | SMR300, 174"/212", Mill Finish |
| A20445-001 | SMR300 Rail End Cap |

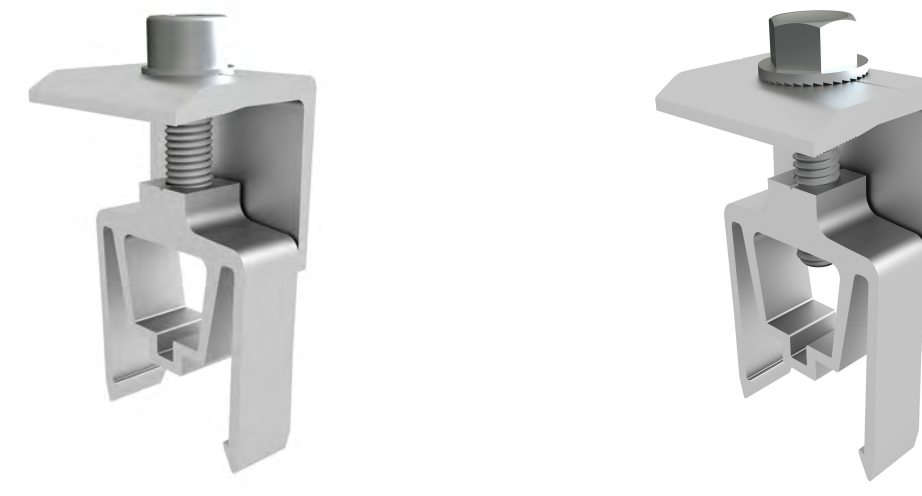
SMR Mid Clamp



K10417-003 K10417-004

| P/N | Description |
|----------------|-----------------------|
| K10417-003/004 | Mid Clamp, SMR Pop-On |

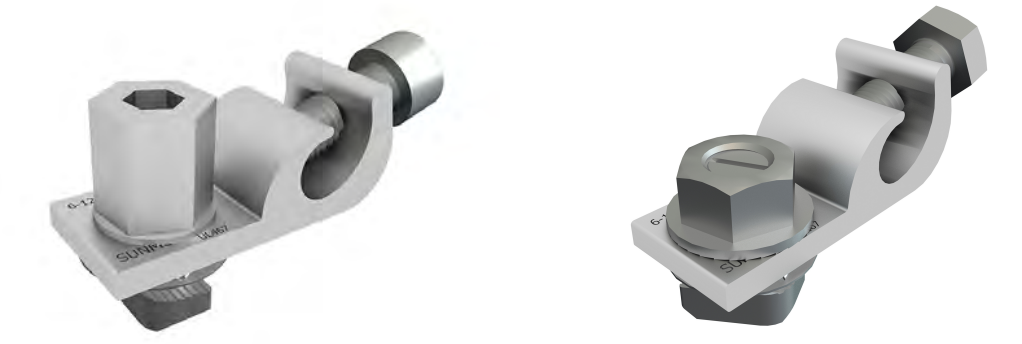
SMR End Clamp



K10418-003 K10418-004

| P/N | Description |
|----------------|-----------------------|
| K10418-003/004 | End Clamp, SMR Pop-On |

SMR Grounding Lug

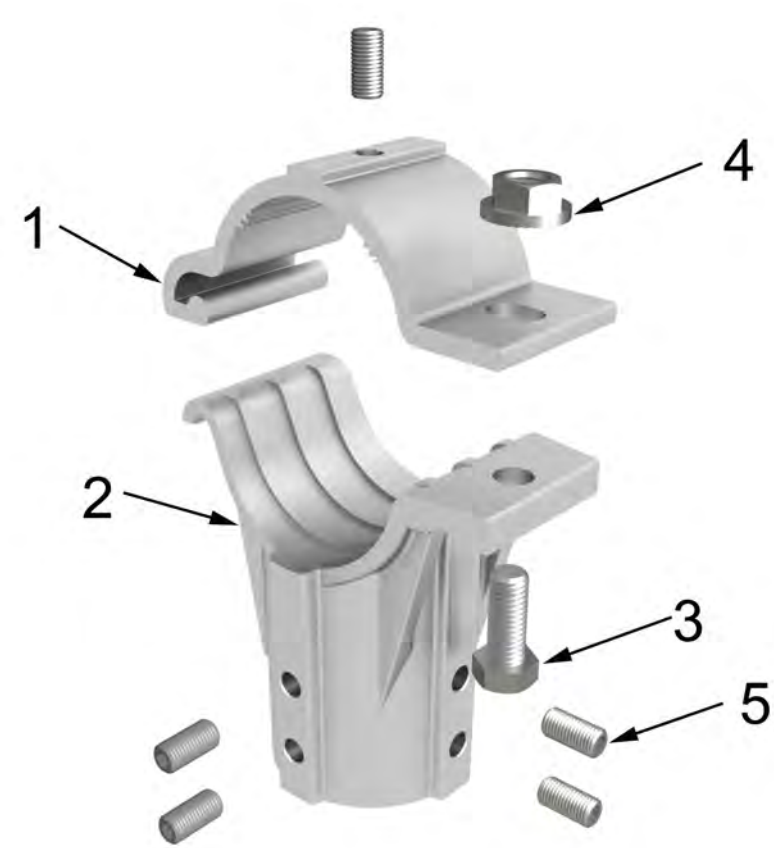


K10469-001 K10469-004

| P/N | Description | Note |
|----------------|-------------------|-------------------------------|
| K10469-001/004 | SMR Grounding Lug | 1 per array up to 30 amps max |

Pipe T-Cap

K10341-002



| Part | P/N | Description | QTY |
|------|------------|--------------------------------------|-----|
| 1 | A20326-001 | 2.5" Pipe Tee, Male | 1 |
| 2 | A20327-002 | 2.5" Pipe Tee, Female | 1 |
| 3 | B15014-005 | Hex Cap Screw 1/2-13 X 1.25", 304 SS | 1 |
| 4 | B15020-001 | Flange Nut 1/2-13 | 1 |
| 5 | B10001-001 | Set Screw M10X20 | 5 |

Swivel Pipe Cap

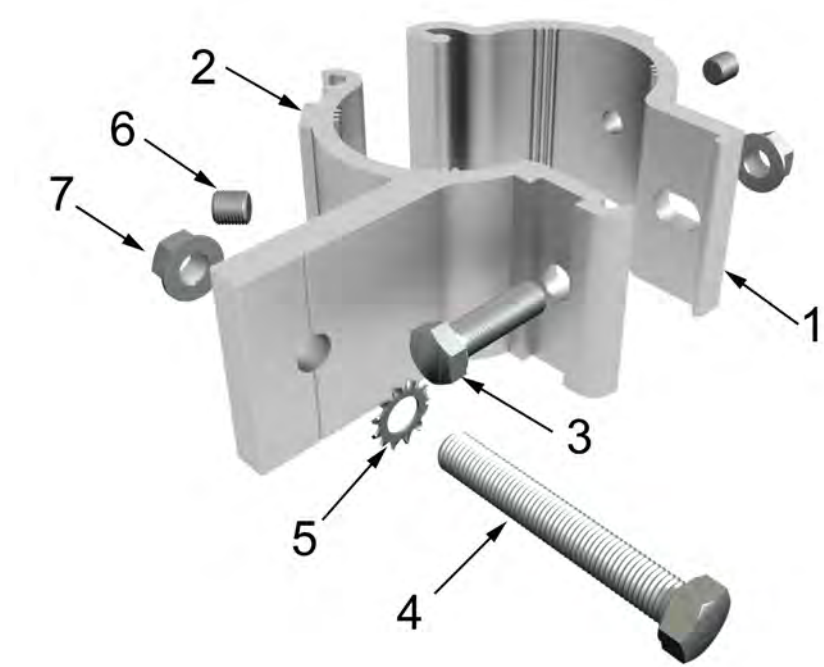
K10373-001



| Part | P/N | Description | QTY |
|------|------------|--------------------------------------|-----|
| 1 | A20326-001 | 2.5" Pipe Tee, Male | 1 |
| 2 | A20362-001 | Tilt Head | 1 |
| 3 | A20363-001 | Tilt Base | 1 |
| 4 | B10001-002 | Set Screw M10X20 | 5 |
| 5 | B15014-005 | Hex Cap Screw 1/2-13 X 1.25", 304 SS | 1 |
| 6 | B15020-001 | Flange Nut 1/2-13 | 1 |
| 7 | B15072-001 | Hex Cap Screw 3/4 - 10 x 2" | 1 |
| 8 | B15073-001 | Star Washer for 3/4 Bolt | 1 |
| 9 | B15081-001 | Flat Washer 3/4 | 1 |

2" Pipe Clamp 2.5" Pipe Clamp

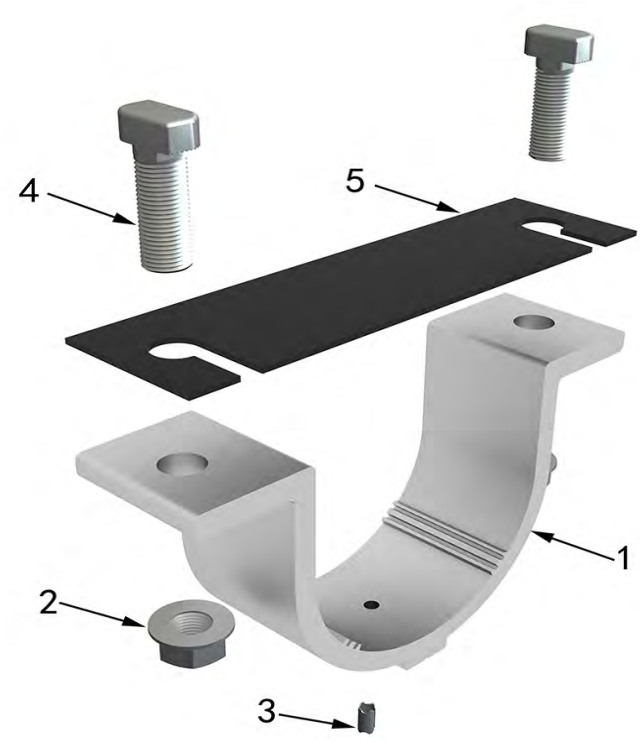
K10219-001 K10222-001



| Part | P/N | Description | QTY |
|------|---------------------------|---|-----|
| 1 | A20235-001/ A20238-001 | 2" Pipe Clamp Male/ 2.5" Pipe Clamp Male | 1 |
| 2 | A20236-001/ A20239-001 | 2" Pipe Clamp Female/ 2.5" Pipe Clamp Female | 1 |
| 3 | B15018-002 | Hex Cap Screw 3/8-16 X 1.25" | 1 |
| 4 | B15018-004 | Hex Cap Screw 3/8-16 X 2.5" | 1 |
| 5 | B15048-001 | Star Washer for 3/8 Bolt | 1 |
| 6 | B10001-002 | Set Screw M10X10 | 2 |
| 7 | B15003-001 | Flange Nut 3/8-16 | 2 |

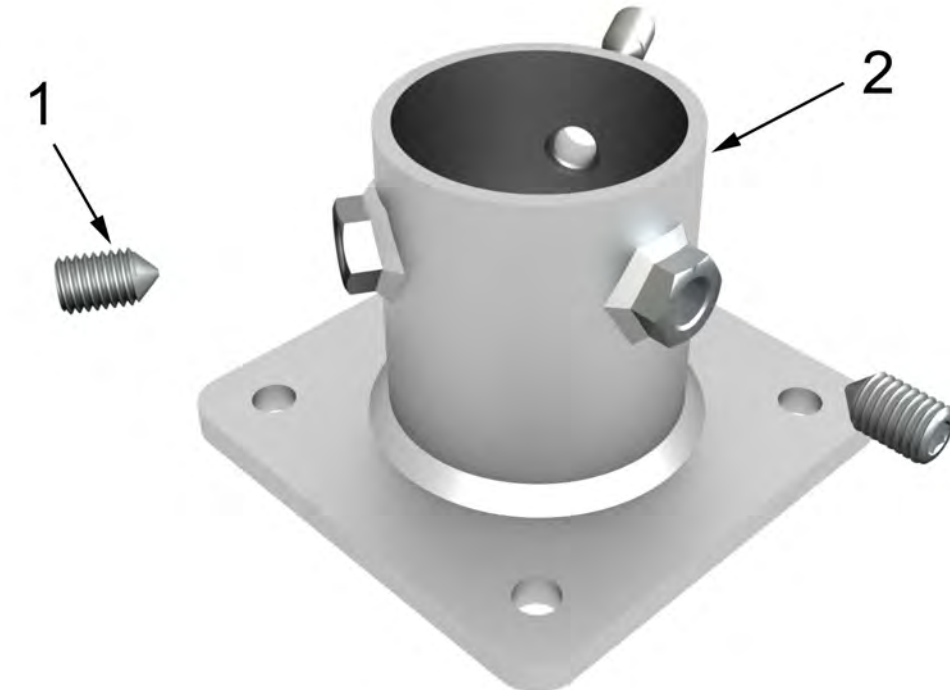
Pipe U-Clamp

K10343-005



| Part | P/N | Description | QTY |
|------|-------------|--------------------|-----|
| 1 | A20329-001 | 2.5" Pipe U-Clamp | 1 |
| 2 | B10029-001M | Hex Flange Nut M10 | 2 |
| 3 | B20018-002 | Grounding Pin | 1 |
| 4 | B50031-001 | T-bolt M10X25 | 2 |
| 5 | C10005-006 | PVC Gasket T=1.5mm | 1 |

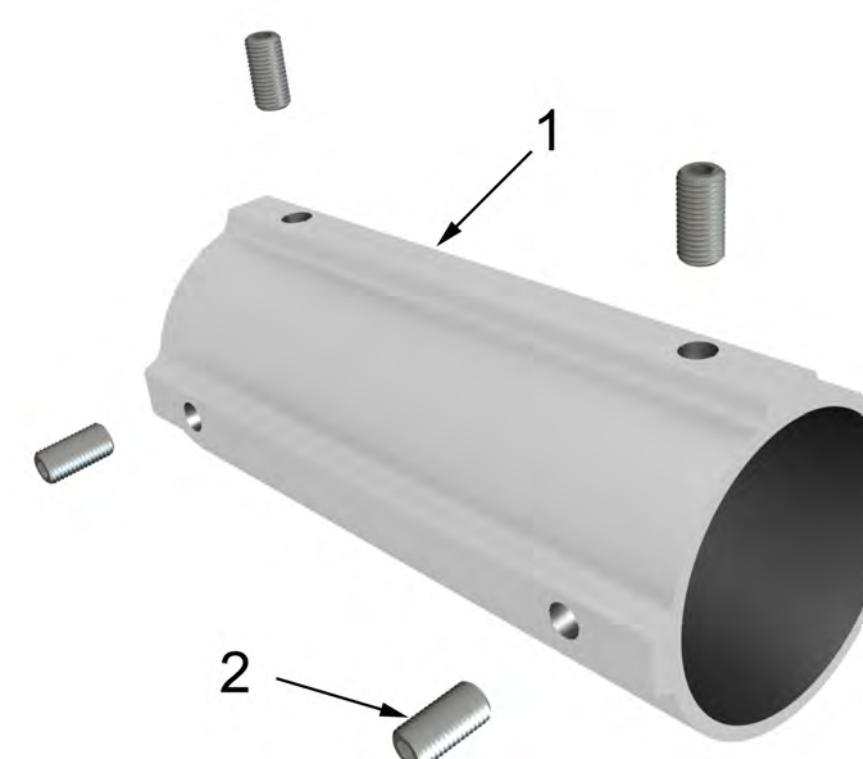
Post Base Plate K10268-005



| Part | P/N | Description | QTY |
|------|------------|--------------------------|-----|
| 1 | A21120-005 | 2" Galvanized Pipe Base | 1 |
| 2 | B10053-001 | Conical Set Screw M12X20 | 3 |

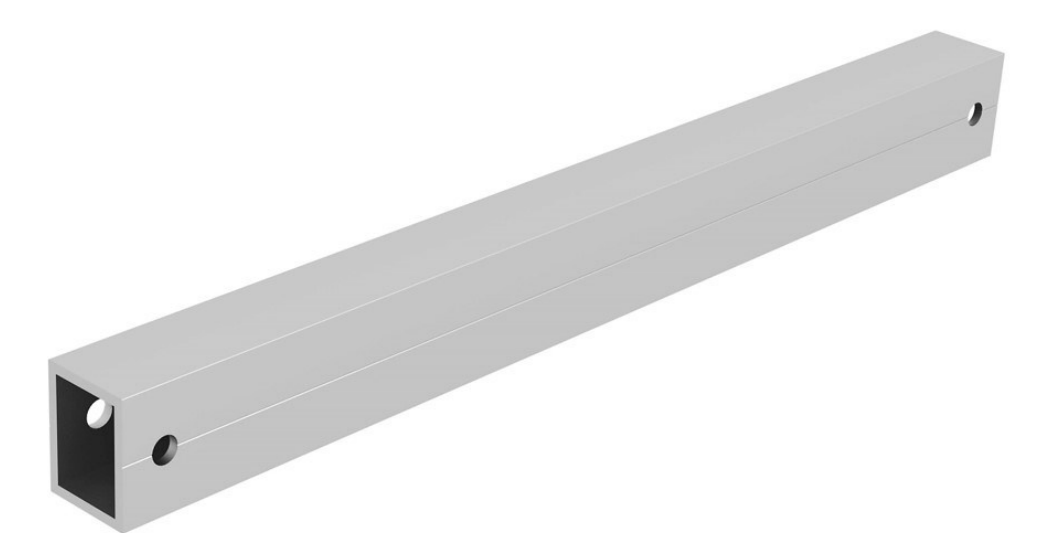
Pipe Splice

K10342-001



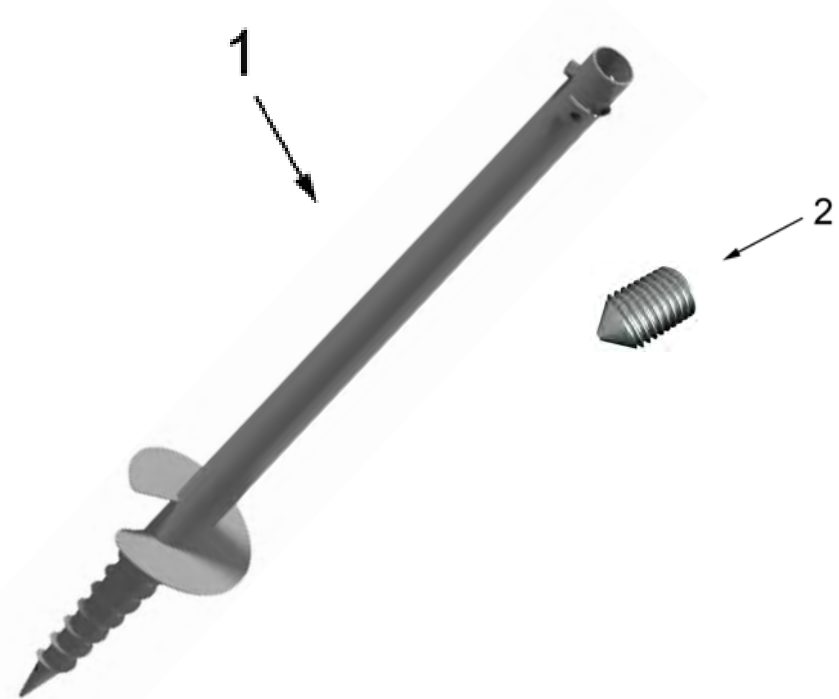
| Part | P/N | Description | QTY |
|------|------------|------------------|-----|
| 1 | A20328-001 | 2.5" Pipe Splice | 1 |
| 2 | B10001-001 | Set Screw M10X20 | 4 |

Diagonal Brace A50164-xxx



| P/N | Description |
|------------|----------------------|
| A50164-066 | HSS Tube Brace, 66" |
| A50164-092 | HSS Tube Brace, 92" |
| A50164-120 | HSS Tube Brace, 120" |

79" Helical Anchor K10414-079



| Part | P/N | Description | QTY |
|------|------------|---|-----|
| 1 | A21178-079 | Helical Anchor, 79" | 1 |
| 2 | B10055-001 | Set Screw, Cone Tip, M16 x 25mm, 304 SS | 3 |

63" Ground Screw K10423-063 80" Ground Screw K10423-080



| Part | P/N | Description | QTY |
|------|----------------|---|-----|
| 1 | A21147-063/080 | Ground Screw, 63"/80" | 1 |
| 2 | B10055-001 | Set Screw, Cone Tip, M16 x 25mm, 304 SS | 3 |

2" Vertical Pipe A21165-xxx 2.5" Horizontal Pipe A21168-xxx



| P/N | Description |
|----------------|---------------|
| A21165-060/120 | 2" HSS Pipe |
| A21168-112 | 2.5" HSS Pipe |

Microinverter Kit K50052-003



| P/N | Description |
|------------|-----------------------|
| K50052-003 | SMR Microinverter Kit |