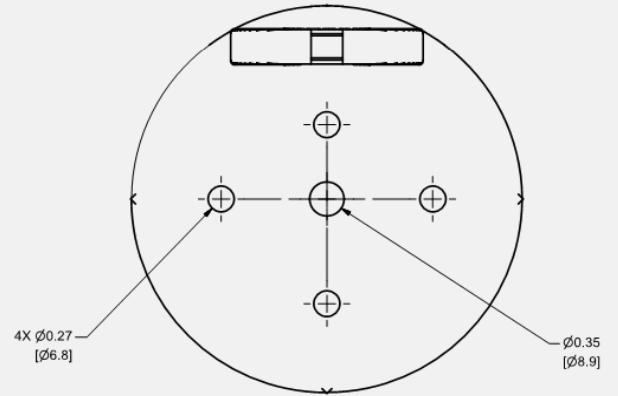
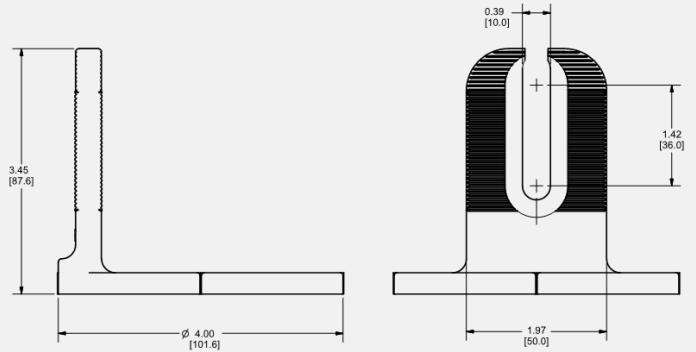


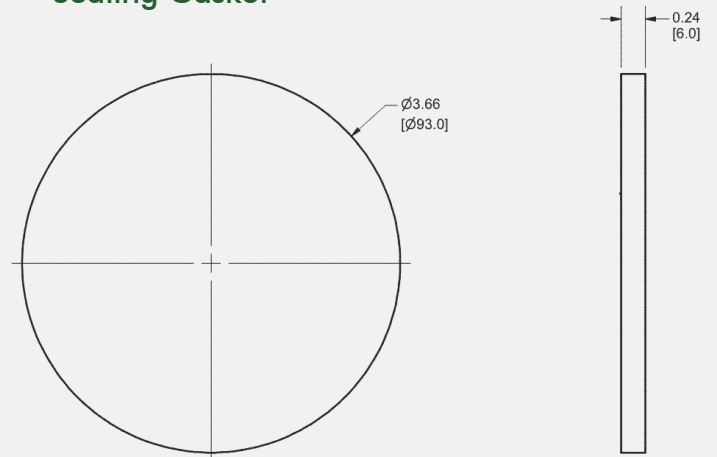
NanoMount®



NanoMount®



Sealing Gasket



Material: Aluminum and Neoprene

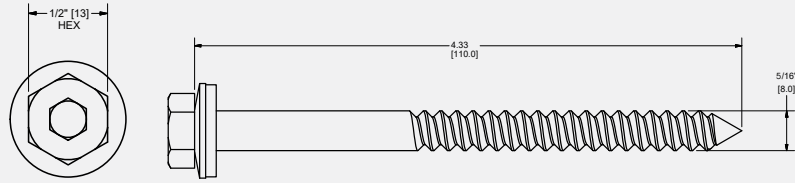
Part Number	Description
K50063-BK1	NanoMount® <ul style="list-style-type: none"> NanoMount Sealing Gasket

See Published data for allowable loads. Care should be taken to avoid concentrated loads during installation.

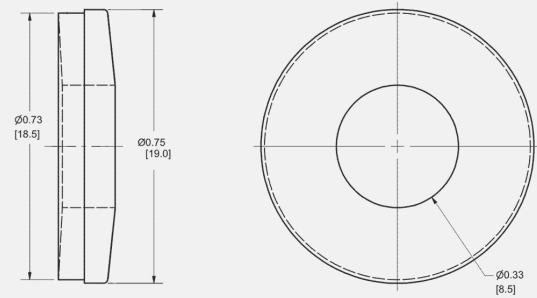
Lag Bolt Assembly



1. M8X110 Hex Head Lag Bolt



Sealing Washer

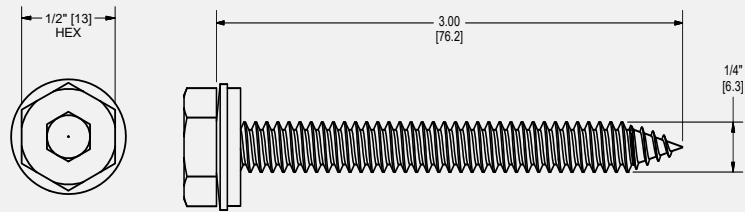


Material: Stainless Steel and EPDM

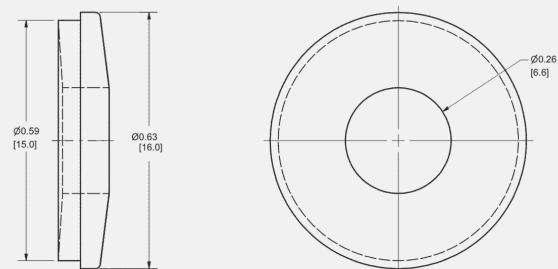
Decking Screw Assembly



2. #14 X 3" Self-Tapping Screw



Sealing Washer



Material: Stainless Steel and EPDM

Item No.	Part Number	Description
1	K50049-BK1	Lag Bolt Assembly <ul style="list-style-type: none"> • M8X110 Hex Head Lag Bolt • Sealing Washer
2	K50055-BK2	Decking Screw Assembly <ul style="list-style-type: none"> • #14 X 3" Self-Tapping Screw • Sealing Washer