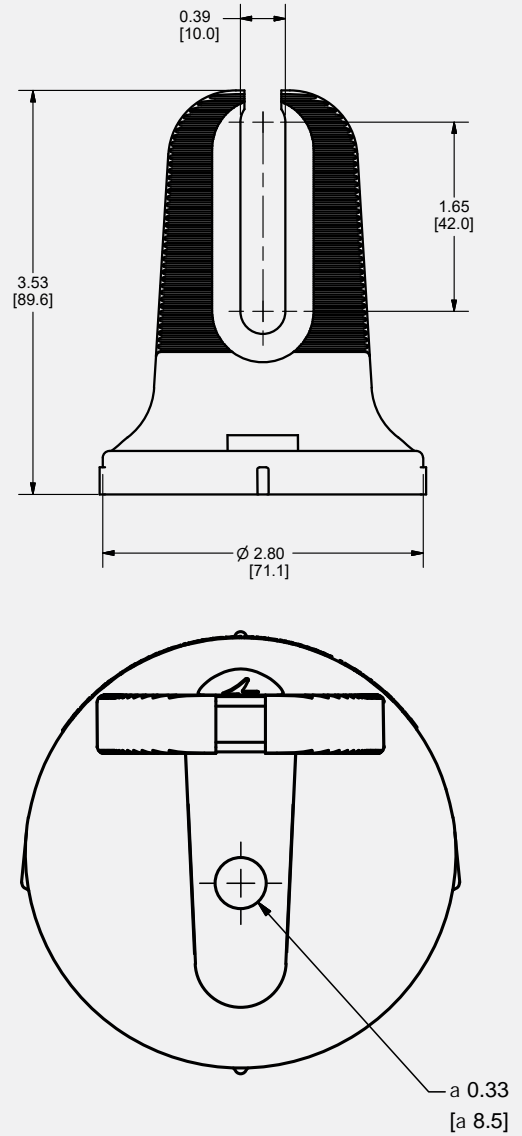


NanoBit



NanoBit



Part Number	Description
K50065-BK1	NanoBit <ul style="list-style-type: none"> • NanoBit • USWR Gasket

See Published data for allowable loads. Care should be taken to avoid concentrated loads during installation.

Material: Aluminum
 Finish: Black Powder Coating

Material: USWR Gasket with Adhesive

D10214-V004

Dimensions shown are inches (and millimeters)

Details are subject to change without notice