

**NOTES: UNLESS OTHERWISE SPECIFIED**

- THIS DRAWING IS NOT FOR CONSTRUCTION UNTIL ENGINEERING HAS REVIEWED AND STAMPED THIS DOCUMENT.
- DIMENSIONS SHOWN ARE INCHES.
- THE SELF-BONDING SYSTEM AND SINGLE GROUND LUG IS FOR USE WITH PV MODULES THAT HAVE A MAXIMUM SERIES FUSE RATING OF 30A.
- MATERIALS ARE AS SPECIFIED OR EQUIVALENT:  
HARDWARE: 304 STAINLESS STEEL  
FABRICATED EXTRUDED PARTS: 6005-T5 ALUMINUM ALLOY  
FABRICATED DIE CAST PARTS: ANSI/AA A380 ALUMINUM ALLOY  
STEEL PIPE: SCHEDULE 40 GALVANIZED  
ALUMINUM PIPE: SCHEDULE 10 ANODIZED
- THE MAXIMUM PERMISSIBLE LENGTH OF ANY STRUCTURE SHALL BE 200 FT. FOR SYSTEMS USING A SHARED RAIL CONFIGURATION, A THERMAL BREAK IS REQUIRED IN THE RAIL EVERY 40 FT. PER THE DRAWING DETAILS.
- 4LXN-3LXN-2PXN-30DEG-GSM-AGM-BGM-PGM.
- PANEL DIMENSIONS ARE AS FOLLOWS  
STANDARD (SP): MAX 82"X42"  
OVERSIZE (OP): MAX 85"X45"
- APPROVED RAIL PROFILES - STANDARD PANELS  
A20144-XXX (HR250 RAIL), A20284-001 (END CAP), K10343-001 (U-CLAMP KIT);  
A20288-XXX (HR300 RAIL), A20297-001 (END CAP), K10343-002 (U-CLAMP KIT);  
A20145-XXX (HR350 RAIL), A20285-001 (END CAP), K10343-001 (U-CLAMP KIT).
- APPROVED RAIL PROFILES - OVERSIZE PANELS  
\* A20288-XXX (HR300 RAIL), A20297-001 (END CAP), K10343-002 (U-CLAMP KIT);  
\* A20145-XXX (HR350 RAIL), A20285-001 (END CAP), K10343-001 (U-CLAMP KIT).
- K10224-XXX END CLAMP KIT OR K10299-XXX ADJ. END CLAMP KIT.
- FOUNDATION TYPES:  
GSM = GROUND SCREW GROUND MOUNT  
AGM = HELICAL AUGER GROUND MOUNT  
PGM = POST-IN-CONCRETE GROUND MOUNT  
BSM = BALLAST GROUND MOUNT

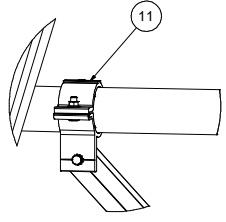
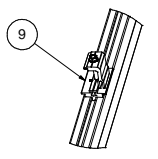
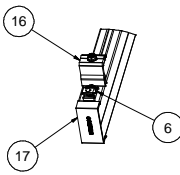
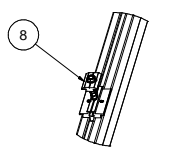
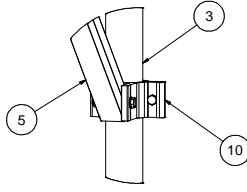
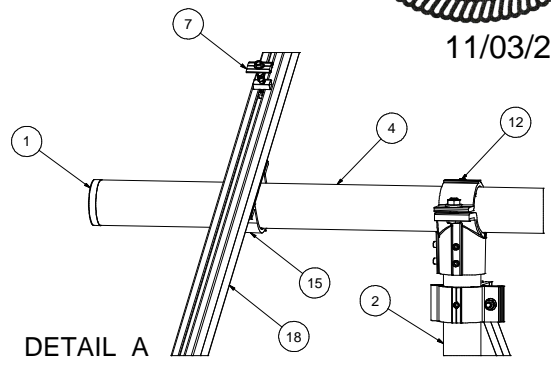
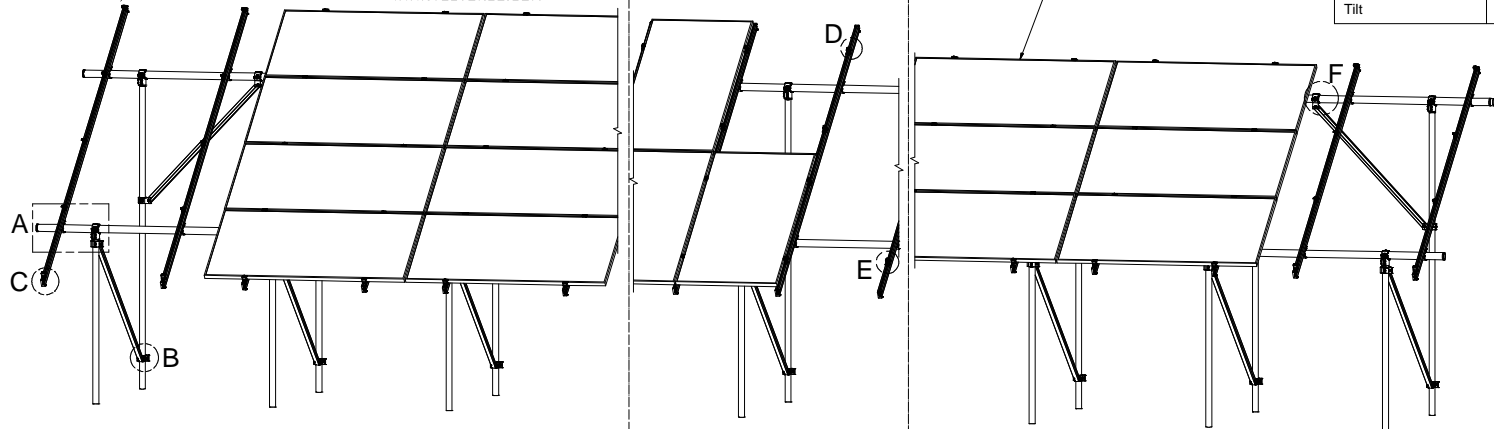


651 W. GALENA PARK BLVD. STE. 101 PHONE (801) 990-1775  
DRAPER, UTAH 84020 WWW.VECTORSE.COM

VSE Project Number: U2716-097-191  
NE Firm License: CA2208  
Structural Only

Packet B3

Model Code	ASCE 7-16
Exposure Category	C and Lower
Wind Speed	105 mph and Lower
Ground Snow Load	30 PSF and Lower
Tilt	30 DEG and Lower



ITEM	PART NUMBER	DESCRIPTION	QTY
19		PANEL	
18		HELIO-RAIL-VARIES PER NOTE 8 & 9	
17		HELIO-RAIL END CAP-VARIES PER NOTE 8 & 9	
16		END CLAMP KIT. VARIES PER NOTE 10	
15	K10343-001	2.5" AL PIPE U-CLAMP KIT	
14	K10448-001	2.5" PIPE SPLICE KIT	
13	K10342-001	2.5" PIPE SPLICE KIT	
12	K10341-001	2.5" PIPE TEE KIT	
11	K10222-001	2.5" PIPE CLAMP KIT	
10	K10219-001	2" AL PIPE CLAMP KIT	
9	K10183-XXX	LANDSCAPE GROUNDING END CLAMP KIT	
8	K10182-001	LANDSCAPE GROUNDING MID CLAMP KIT	
7	K10180-001	GROUNDING MID-CLAMP KIT WITH T COLLAR BOLT AND GROUNDING BASE	
6	K10179-001	SELF-GROUNDING LUG KIT	
5	A50164-XXX	1.5" SQ. STL TUBE BRACE, L=XXX	
4	A21168-XXX	PIPE, HSS, 2.875" OD X 12 GAUGE, L=XXX	
3	A21165-XXX (REAR)	PIPE, HSS, 2.375" OD X 12 GAUGE, L=XXX	
2	A21165-XXX (FRONT)	PIPE, HSS, 2.375" OD X 12 GAUGE, L=XXX	
1	A20380-001	2.5" PIPE END CAP	

SEE BOM

Third Angle Projection

PERSONAL USE ONLY (Not for Redistribution)

DATE: 04/21/2021

CHECKED BY: KVV

APPROVALS:

**SunModo Corp.**  
14800 NE 65TH STREET, VANCOUVER WA 98682

TITLE: PACKET B3

D: DRAWING NUMBER

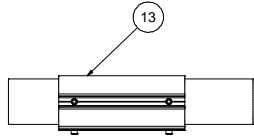
SCALE: SHEET 1 of 4

THIS DRAWING IS CONFIDENTIAL PROPERTY OF SUNMODO AND ITS CONTENTS MAY NOT BE DISCLOSED WITHOUT THE PRIOR WRITTEN CONSENT OF SUNMODO CORP.

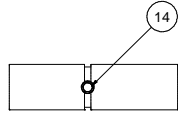
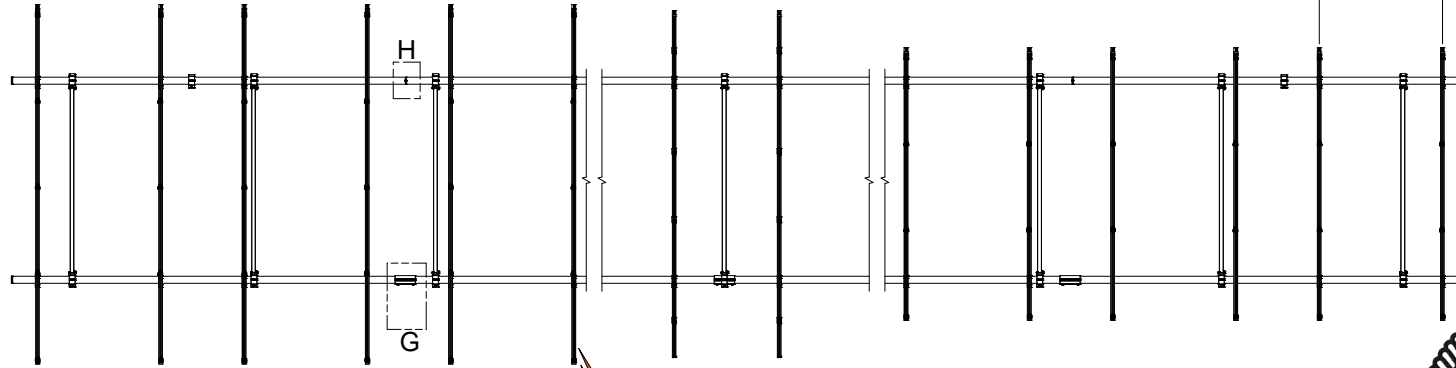
**NOTES:**

- 1. DIMENSIONS LABELED AS MAX ARE MAXIMUM ALLOWABLE AND MAY RESULT IN END POSTS BEING OUTSIDE ARRAY EDGES. MAXIMUM DIMENSIONS MAY BE REDUCED IF DESIRED.
- 2. SEE NOTE 7 OF COVER PAGE FOR PANEL SIZES.

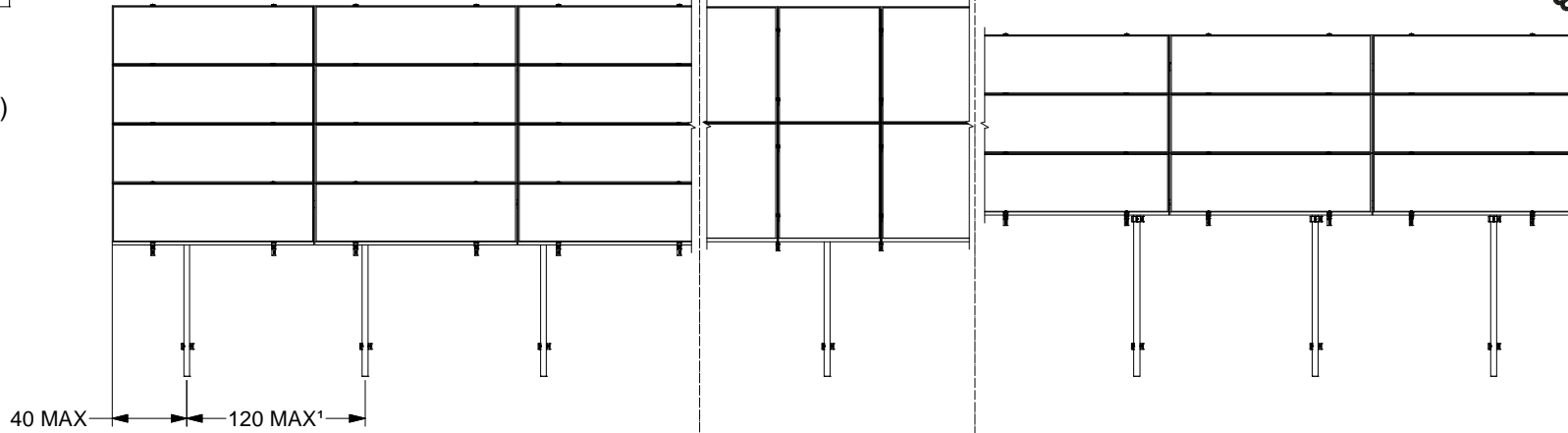
**RAIL SPACING**  
 LANDSCAPE: PER PANEL MANUFACTURER  
 PORTRAIT: PANEL WIDTH + 0.25"



DETAIL G



DETAIL H (ALTERNATE)



4L  
4-IN-LANDSCAPE

2P  
2-IN-PROTRAIT

3L  
3-IN-LANDSCAPE



651 W. GALENA PARK BLVD. STE. 101 DRAPER, UTAH 84020  
 PHONE (801) 990-1775 WWW.VECTORSE.COM

VSE Project Number: U2716-097-191  
 NE Firm License: CA2208  
 Structural Only



11/03/2022

<b>SunModo Corp.</b>	
TITLE: PACKET B3	
D	DRAWING NUMBER
SCALE:	SHEET 2 of 4 REV

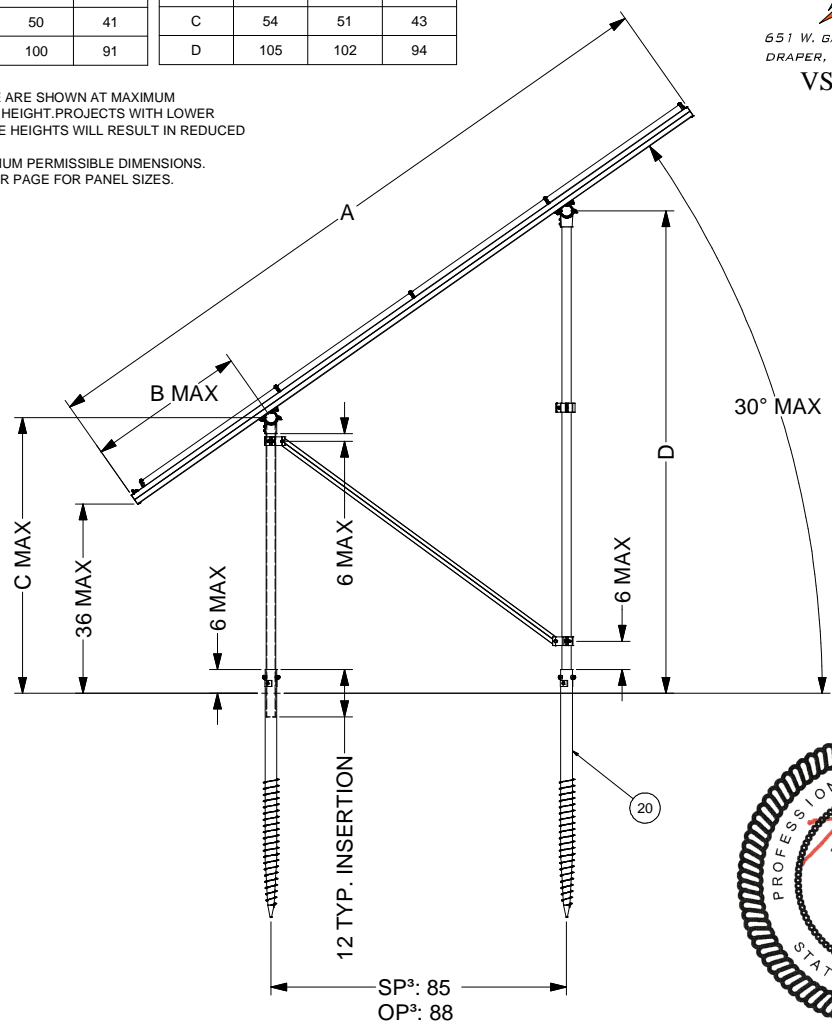
DIMENSIONS - STANDARD PANEL				DIMENSIONS - OVERSIZE PANEL			
ITEM	4L	2P	3L	ITEM	4L	2P	3L
A	172	166	130	A	184	172	140
B	37	34	16	B	41	35	19
C	52	50	41	C	54	51	43
D	101	100	91	D	105	102	94

**NOTES**  
 1. DIMENSIONS IN TABLE ARE SHOWN AT MAXIMUM TILT & LEADING EDGE HEIGHT. PROJECTS WITH LOWER TILTS & LEADING EDGE HEIGHTS WILL RESULT IN REDUCED DIMENSIONS.  
 2. MAX DENOTES MAXIMUM PERMISSIBLE DIMENSIONS.  
 3. SEE NOTE 7 OF COVER PAGE FOR PANEL SIZES.



651 W. GALENA PARK BLVD. STE. 101 DRAPER, UTAH 84020  
 PHONE (801) 990-1775 WWW.VECTORSE.COM

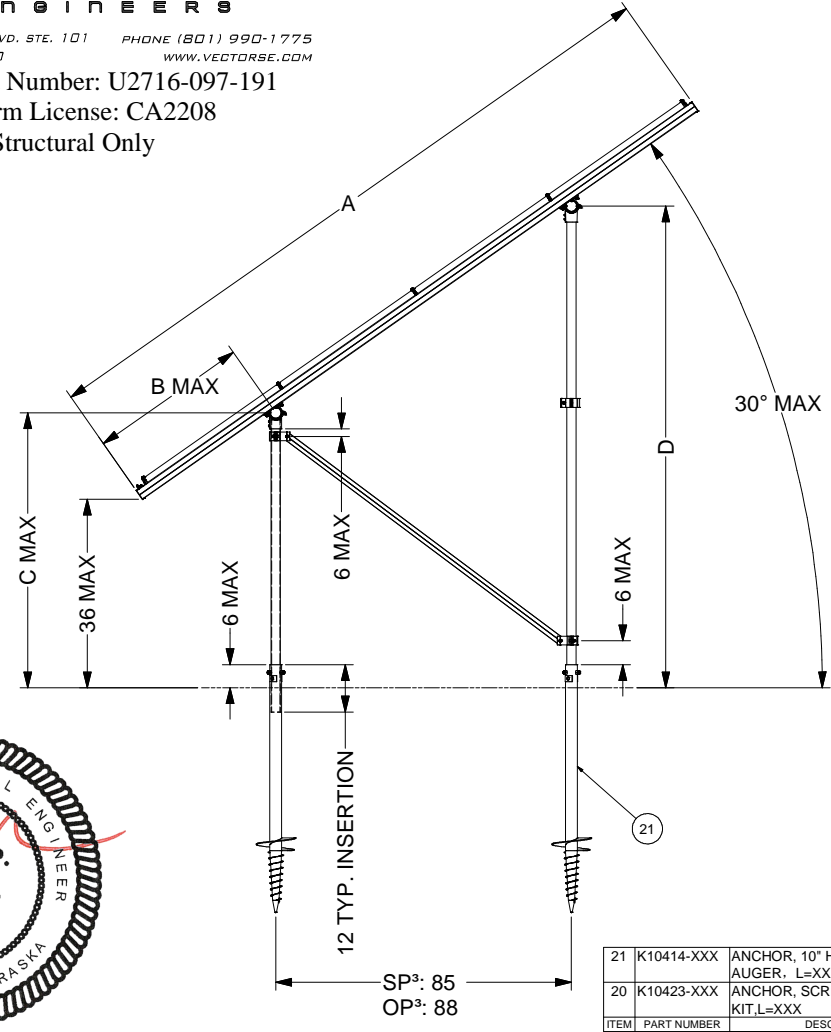
VSE Project Number: U2716-097-191  
 NE Firm License: CA2208  
 Structural Only



**GROUND SCREW GROUND MOUNT (GSM)**



11/03/2022



**AUGER GROUND MOUNT (AGM)**

ITEM	PART NUMBER	DESCRIPTION	QTY
21	K10414-XXX	ANCHOR, 10" HELIX SCREW AUGER, L=XXX	
20	K10423-XXX	ANCHOR, SCREW AUGER KIT, L=XXX	
<b>SunModo Corp.</b>			
TITLE: PACKET B3			
D: DRAWING NUMBER			
SCALE: SHEET 3 of 4 REV			

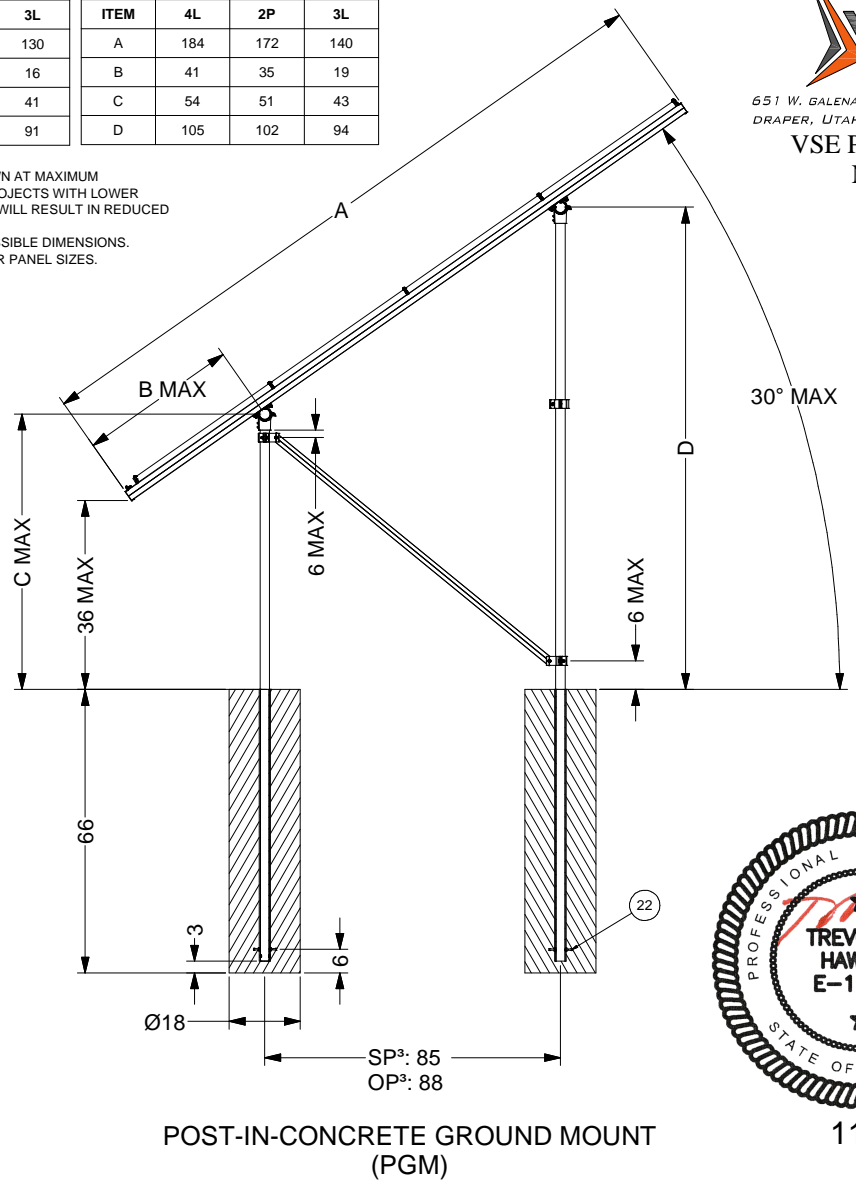
DIMENSIONS - STANDARD PANEL				DIMENSIONS - OVERSIZE PANEL			
ITEM	4L	2P	3L	ITEM	4L	2P	3L
A	172	166	130	A	184	172	140
B	37	34	16	B	41	35	19
C	52	50	41	C	54	51	43
D	101	100	91	D	105	102	94

- NOTES**
1. DIMENSIONS IN TABLE ARE SHOWN AT MAXIMUM TILT & LEADING EDGE HEIGHT. PROJECTS WITH LOWER TILTS & LEADING EDGE HEIGHTS WILL RESULT IN REDUCED DIMENSIONS.
  2. MAX DENOTES MAXIMUM PERMISSIBLE DIMENSIONS.
  3. SEE NOTE 7 OF COVER PAGE FOR PANEL SIZES.
  4. K10268-005 (2" PIPE BASE KIT) OR K10302-001 (2" PIPE BASE KIT)

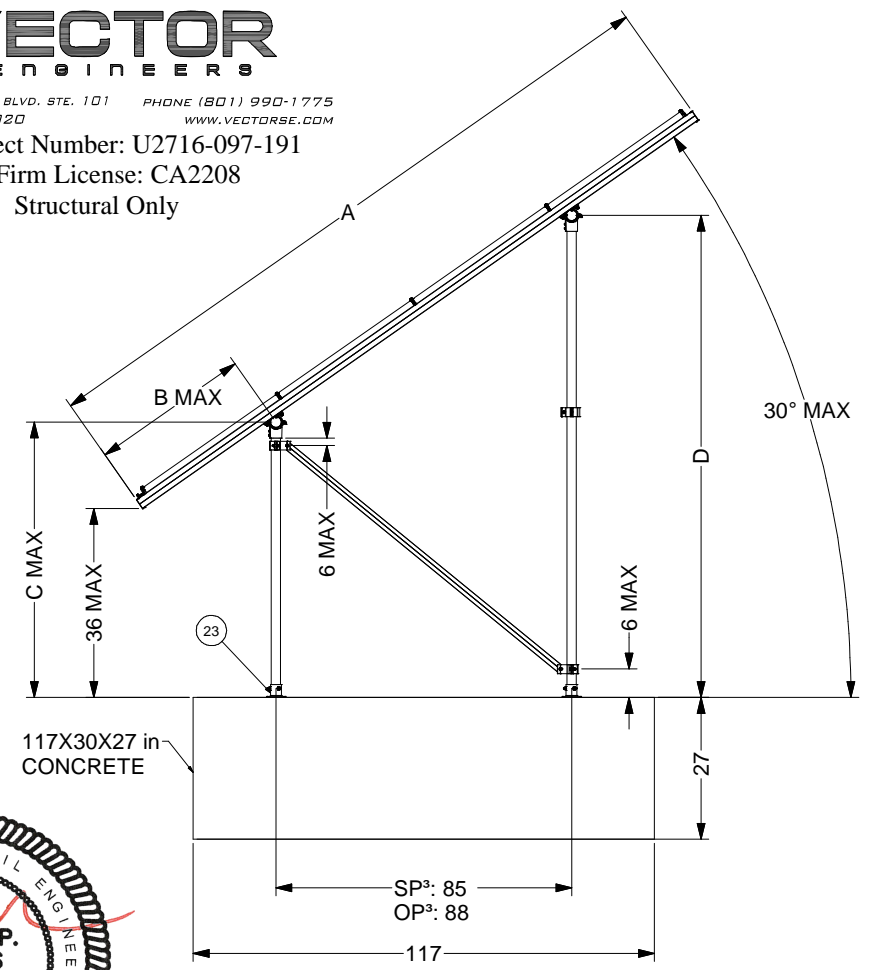


651 W. GALENA PARK BLVD. STE. 101    PHONE (801) 990-1775  
 DRAPER, UTAH 84020    WWW.VECTORSE.COM

VSE Project Number: U2716-097-191  
 NE Firm License: CA2208  
 Structural Only



POST-IN-CONCRETE GROUND MOUNT (PGM)



BALLAST GROUND MOUNT (BGM)



11/03/2022

23		POST BASE. VARIES PER NOTE	
22	K10186-001	EMBEDDED 2.0" PIPE CLAMP KIT	
ITEM	PART NUMBER	DESCRIPTION	QTY
<b>SunModo Corp.</b>			
TITLE: PACKET B3			
D DRAWING NUMBER			
SCALE: SHEET 4 of 4 REV			