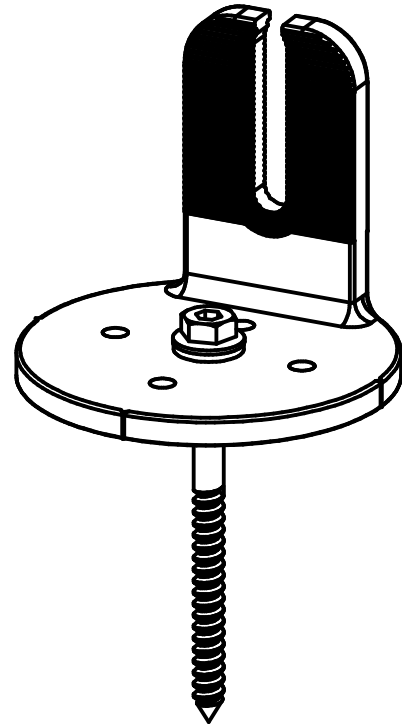


NOTES

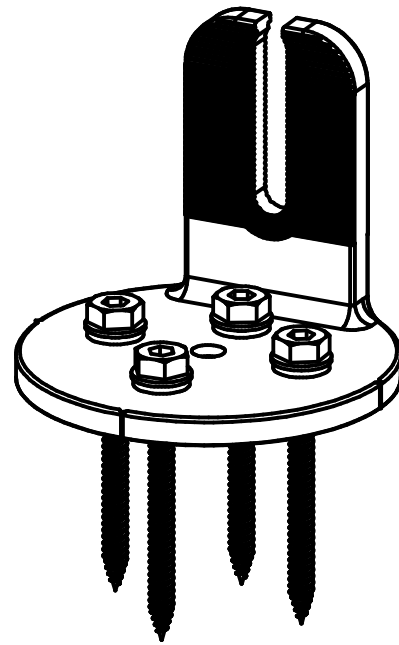
1. 5/16 LAG IN 2X4 LUMBER.
2. VALUES VALID ONLY WHEN PRODUCT IS USED IN ACCORDANCE WITH SUNMODO INSTALLATION AND OTHER TECHNICAL DOCUMENTATION.
3. WIND SPEEDS & SNOW LOADS PER ASCE 7-16, RISK CATEGORY II, EXP. B.
4. ASSUMED ROOF HEIGHT FOR SPAN ESTIMATES = 30 FT.
5. SPAN ESTIMATES REFER TO MOUNTS ONLY. RAIL IS NOT CONSIDERED.
6. PARALLEL DENOTES LATERAL DIRECTION PARALLEL TO RAIL RUN.
PERPENDICULAR DENOTES LATERAL DIRECTION PERPENDICULAR TO RAIL RUN.

REVISIONS			
REV	DESCRIPTION	BY	DATE
A	INITIAL RELEASE	KYY	10/31/2022



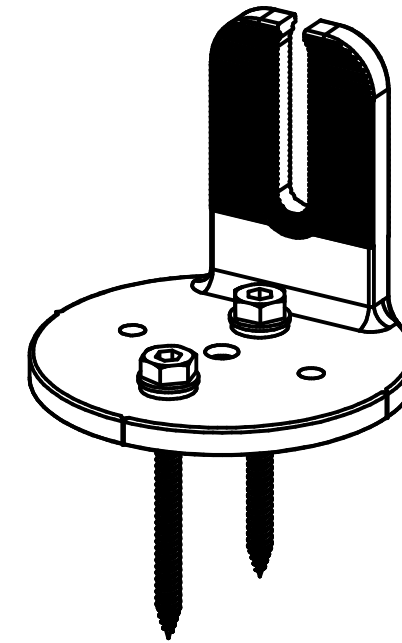
	ULT. LOAD
UPLIFT(LBF)	740
PERPENDICULAR(LBF)	555
PARALLEL(LBF)	460

K50058-XXX NANO MOUNT WITH LAG¹ SCREW



	ULT. LOAD
UPLIFT(LBF)	500
PERPENDICULAR(LBF)	290
PARALLEL(LBF)	560

K50058-XXX NANO DECK MOUNT
(IN MIN 1/2" PLYWOOD OR 5/8" OSB)



	ULT. LOAD
UPLIFT(LBF)	1280
PERPENDICULAR(LBF)	410
PARALLEL(LBF)	555

K50058-XXX NANO DECK MOUNT
(IN RAFTER)

MATERIAL SEE NOTES	
Third Angle Projection:	
GENERAL SPECIFICATIONS All Dimensions in inches [millimeters]	
Tolerances	
X.XXX ±0.01 [0.25mm]	Break all sharp edges .010-.020 unless otherwise specified.
X.XX ±0.02 [0.50mm]	
X.X ±0.039 [1.0mm]	
Unless otherwise spec'd	
DRAWN BY LWF	DATE 10/31/2022
CHECKED BY	
APPROVALS	

SunModo Corp.	
14800 NE 65TH STREET, VANCOUVER WA 98682	
TITLE NANO MOUNT LOAD CAPACITIES	
B	DRAWING NUMBER K50058-XXX STRUCTURE
SCALE:	SHEET 1 of 1

THIS DRAWING IS CONFIDENTIAL PROPERTY OF SUNMODO AND ITS CONTENTS MAY NOT BE DISCLOSED WITHOUT THE PRIOR WRITTEN CONSENT OF SUNMODO CORP.