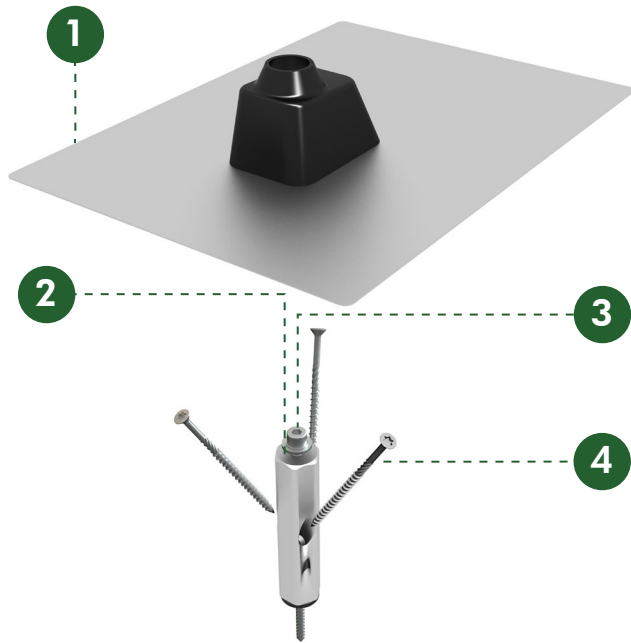


# TopTile Mount

28mm (1-1/8") Hex Socket is used to install the TopTile stanchion

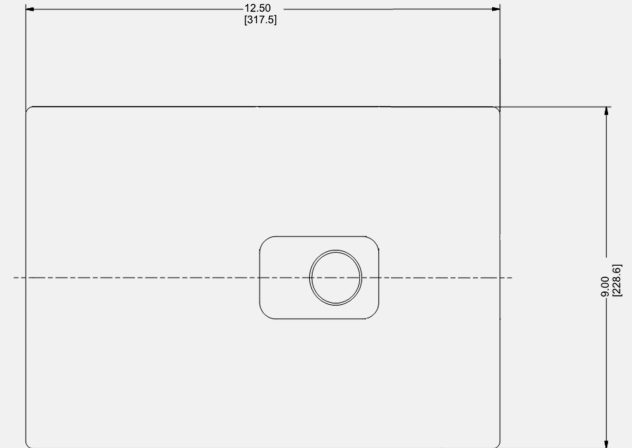


**Part Description: 5" Wood Deck TopTile Mount**  
**Part No.: K10461-105**

**Part Description: 7" Wood Deck TopTile Mount**  
**Part No.: K10461-107**

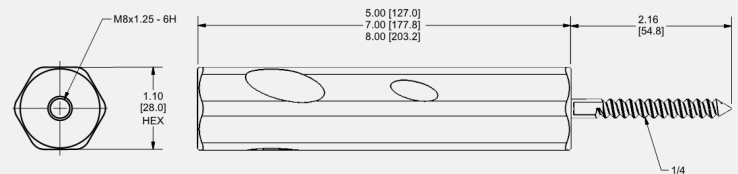
Item No.	Description	Qty in Kit
1	Flashing with EPDM Sealant Cover, 9"X12.5"	1
2	Deck Stanchion Assembly <ul style="list-style-type: none"> <li>• Deck Stanchion</li> <li>• Hanger Bolt 1/4 X2.0</li> <li>• Washer</li> </ul>	1
3	#14 General Purpose Wood Screw	1
4	SEM Cap Screw Assembly <ul style="list-style-type: none"> <li>• SEMS Cap Screw M8X20</li> <li>• M8 Fender Washer</li> </ul>	3

## 1. Flashing with EPDM Sealant Cover



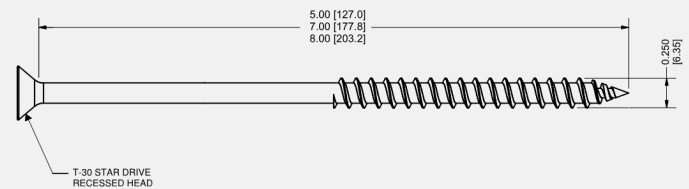
Material: Aluminum  
 Finish: Silver Powder Coating

## 2. Deck Stanchion Assembly



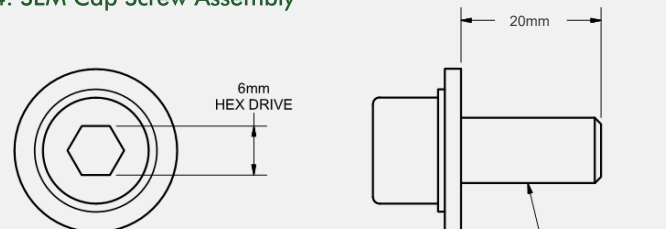
Material: Aluminum  
 Finish: Silver Powder Coating + Stainless Steel hardware

## 3. #14 General Purpose Wood Screw



Material: Stainless Steel  
 Finish: Clear

## 4. SEM Cap Screw Assembly



Material: Stainless Steel  
 Finish: Clear