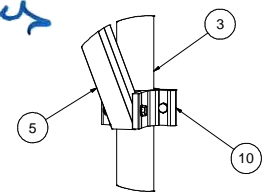
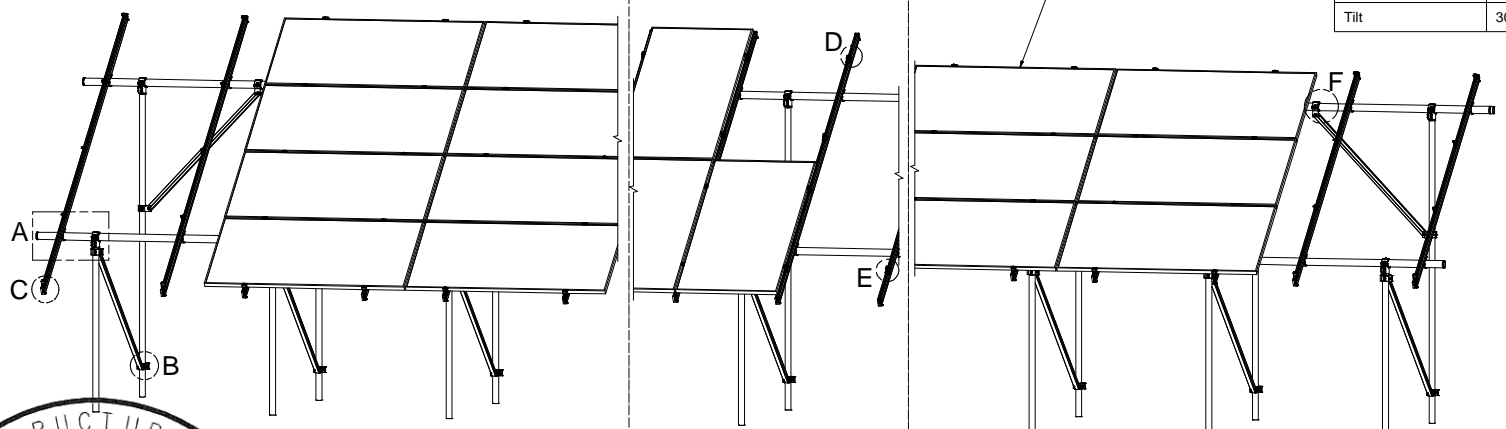


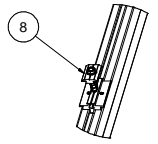
Model Code	ASCE 7-16
Exposure Category	C and Lower
Wind Speed	105 mph and Lower
Ground Snow Load	50 PSF and Lower
Tilt	30 DEG and Lower

**NOTES: UNLESS OTHERWISE SPECIFIED**

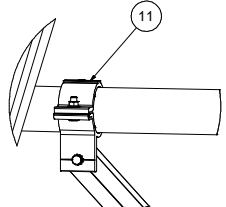
- THIS DRAWING IS NOT FOR CONSTRUCTION UNTIL ENGINEERING HAS REVIEWED AND STAMPED THIS DOCUMENT.
- DIMENSIONS SHOWN ARE INCHES.
- THE SELF-BONDING SYSTEM AND SINGLE GROUND LUG IS FOR USE WITH PV MODULES THAT HAVE A MAXIMUM SERIES FUSE RATING OF 30A.
- MATERIALS ARE AS SPECIFIED OR EQUIVALENT:  
 HARDWARE: 304 STAINLESS STEEL  
 FABRICATED EXTRUDED PARTS: 6005-T5 ALUMINUM ALLOY  
 FABRICATED DIE CAST PARTS: ANSI/AA A380 ALUMINUM ALLOY  
 STEEL PIPE: SCHEDULE 40 GALVANIZED  
 ALUMINUM PIPE: SCHEDULE 10 ANODIZED
- THE MAXIMUM PERMISSIBLE LENGTH OF ANY STRUCTURE SHALL BE 200 FT. FOR SYSTEMS USING A SHARED RAIL CONFIGURATION, A THERMAL BREAK IS REQUIRED IN THE RAIL EVERY 40 FT. PER THE DRAWING DETAILS.
- 4LXN-3LXN-2PXN-30DEG-GSM-AGM-BGM-PGM.
- PANEL DIMENSIONS ARE AS FOLLOWS  
 STANDARD (SP): MAX 82"X42"  
 OVERSIZE (OP): MAX 85"X45"
- APPROVED RAIL PROFILES - STANDARD PANELS  
 A20288-XXX (HR300 RAIL), A20297-001 (END CAP), K10343-002 (U-CLAMP KIT);  
 A20145-XXX (HR350 RAIL), A20285-001 (END CAP), K10343-001 (U-CLAMP KIT).
- APPROVED RAIL PROFILES - OVERSIZE PANELS  
 \* A20288-XXX (HR300 RAIL), A20297-001 (END CAP), K10343-002 (U-CLAMP KIT);  
 \* A20145-XXX (HR350 RAIL), A20285-001 (END CAP), K10343-001 (U-CLAMP KIT).
- K10224-XXX END CLAMP KIT OR K10299-XXX ADJ. END CLAMP KIT.
- FOUNDATION TYPES:  
 GSM = GROUND SCREW GROUND MOUNT  
 AGM = HELICAL AUGER GROUND MOUNT  
 PGM = POST-IN-CONCRETE GROUND MOUNT  
 BSM = BALLAST GROUND MOUNT



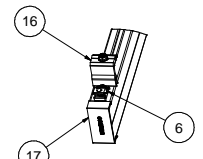
DETAIL B



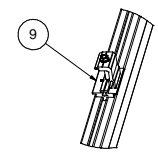
DETAIL D



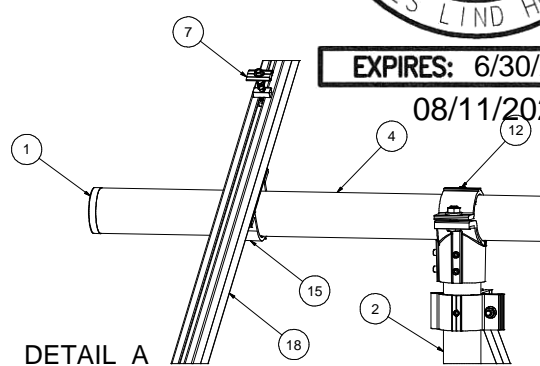
DETAIL F



DETAIL C



DETAIL E



DETAIL A

19	PANEL	
18	HELIO-RAIL-VARIES PER NOTE 8 & 9	
17	HELIO-RAIL END CAP-VARIES PER NOTE 8 & 9	
16	END CLAMP KIT. VARIES PER NOTE 10	
15	K10343-001 2.5" AL PIPE U-CLAMP KIT	
14	K10448-001 2.5" PIPE SPLICE KIT	
13	K10342-001 2.5" PIPE SPLICE KIT	
12	K10341-001 2.5" PIPE TEE KIT	
11	K10222-001 2.5" PIPE CLAMP KIT	
10	K10219-001 2" AL PIPE CLAMP KIT	
9	K10183-XXX LANDSCAPE GROUNDING END CLAMP KIT	
8	K10182-001 LANDSCAPE GROUNDING MID CLAMP KIT	
7	K10180-001 GROUNDING MID-CLAMP KIT WITH T COLLAR BOLT AND GROUNDING BASE	
6	K10179-001 SELF-GROUNDING LUG KIT	
5	A50164-XXX 1.5" SQ. STL TUBE BRACE, L=XXX	
4	A21168-XXX PIPE, HSS, 2.875" OD X 12 GAUGE, L=XXX	
3	A21165-XXX PIPE, HSS, 2.375" OD X 12 GAUGE, L=XXX (REAR)	
2	A21165-XXX PIPE, HSS, 2.375" OD X 12 GAUGE, L=XXX (FRONT)	
1	A20380-001 2.5" PIPE END CAP	
ITEM	PART NUMBER	DESCRIPTION
QTY		

SEE BOM	
Third Angle Projection	
PERSONAL USE ONLY (Not for Redistribution)	
NO REUSE, REPRODUCTION, OR DISTRIBUTION WITHOUT THE WRITTEN CONSENT OF SUNMODO CORP.	
DATE: 07/19/2021	TITLE: PACKET B5
CHECKED BY: [Signature]	DRAWING NUMBER: D
APPROVALS:	SCALE:

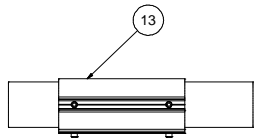
**SunModo Corp.**  
 14800 NE 65TH STREET, VANCOUVER WA 98662

**NOTES:**

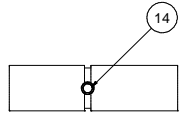
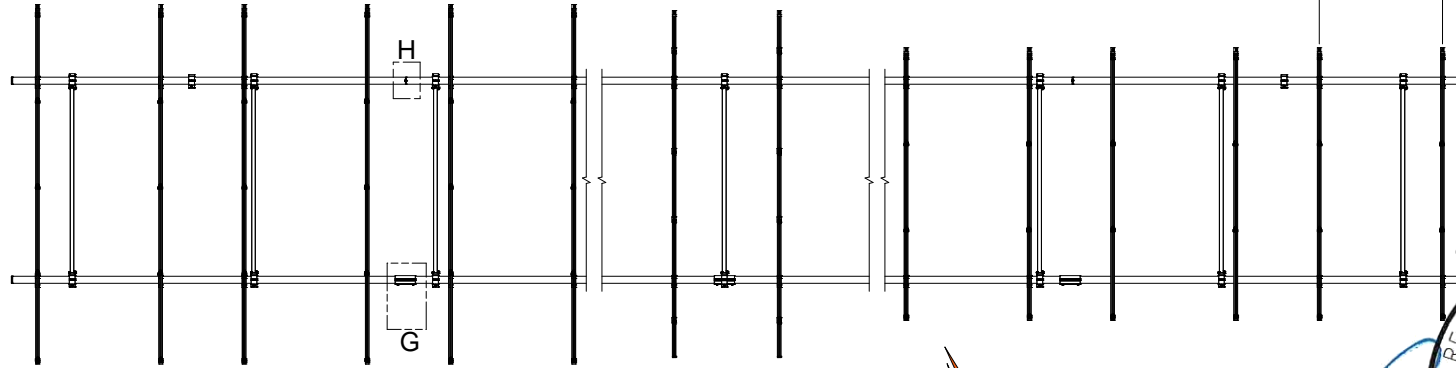
- 1. DIMENSIONS LABELED AS MAX ARE MAXIMUM ALLOWABLE AND MAY RESULT IN END POSTS BEING OUTSIDE ARRAY EDGES. MAXIMUM DIMENSIONS MAY BE REDUCED IF DESIRED.
- 2. SEE NOTE 7 OF COVER PAGE FOR PANEL SIZES.

**RAIL SPACING**

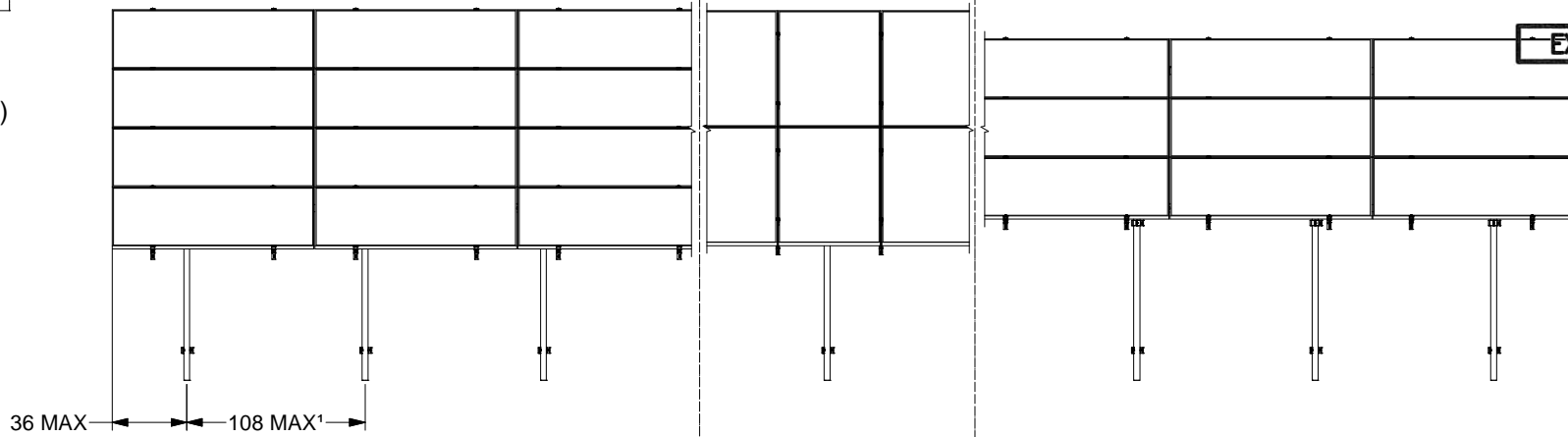
LANDSCAPE: PER PANEL MANUFACTURER  
 PORTRAIT: PANEL WIDTH + 0.25"



DETAIL G



DETAIL H (ALTERNATE)



4L  
4-IN-LANDSCAPE

2P  
2-IN-PROTRAIT

3L  
3-IN-LANDSCAPE



651 W. GALENA PARK BLVD. STE. 101 PHONE (801) 990-1775  
 DRAPER, UTAH 84020 WWW.VECTORSE.COM  
 VECTOR PROJECT #: U2716.0311.211



**EXPIRES: 6/30/2023**

08/11/2022

<b>SunModo Corp.</b>	
TITLE	PACKET B5
D	DRAWING NUMBER
SCALE:	SHEET 2 of 4 REV

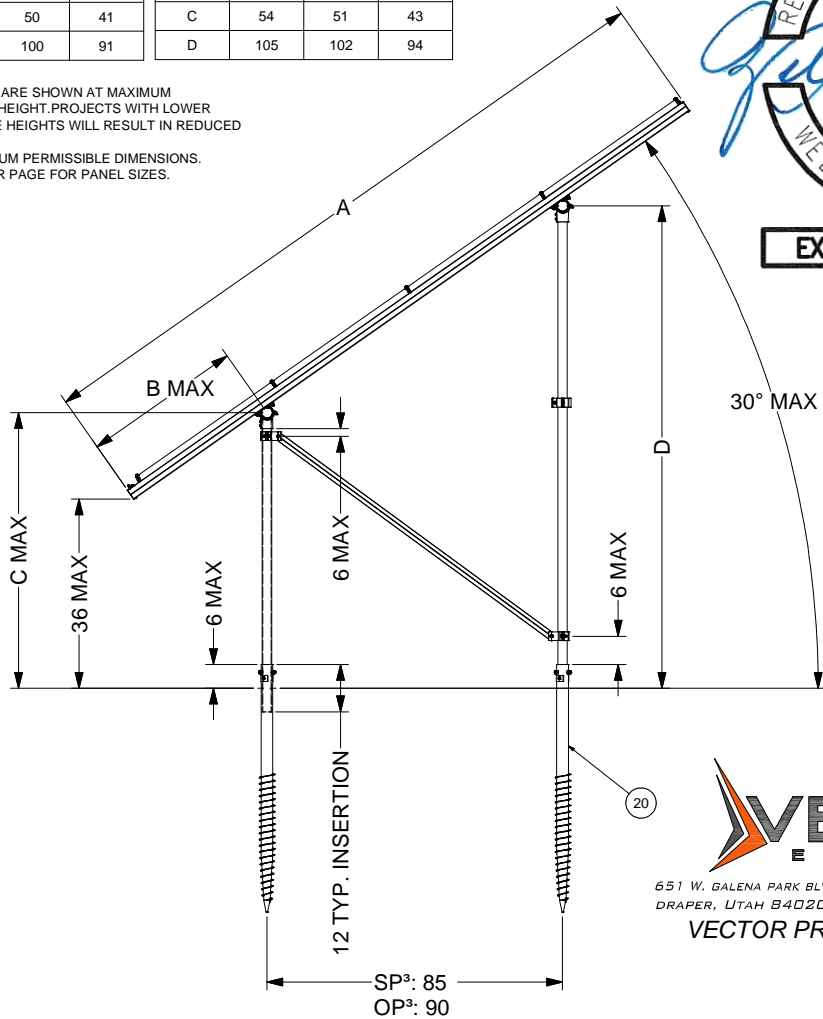
DIMENSIONS - STANDARD PANEL			
ITEM	4L	2P	3L
A	172	166	130
B	37	34	16
C	52	50	41
D	101	100	91

DIMENSIONS - OVERSIZE PANEL			
ITEM	4L	2P	3L
A	184	172	140
B	40	34	18
C	54	51	43
D	105	102	94

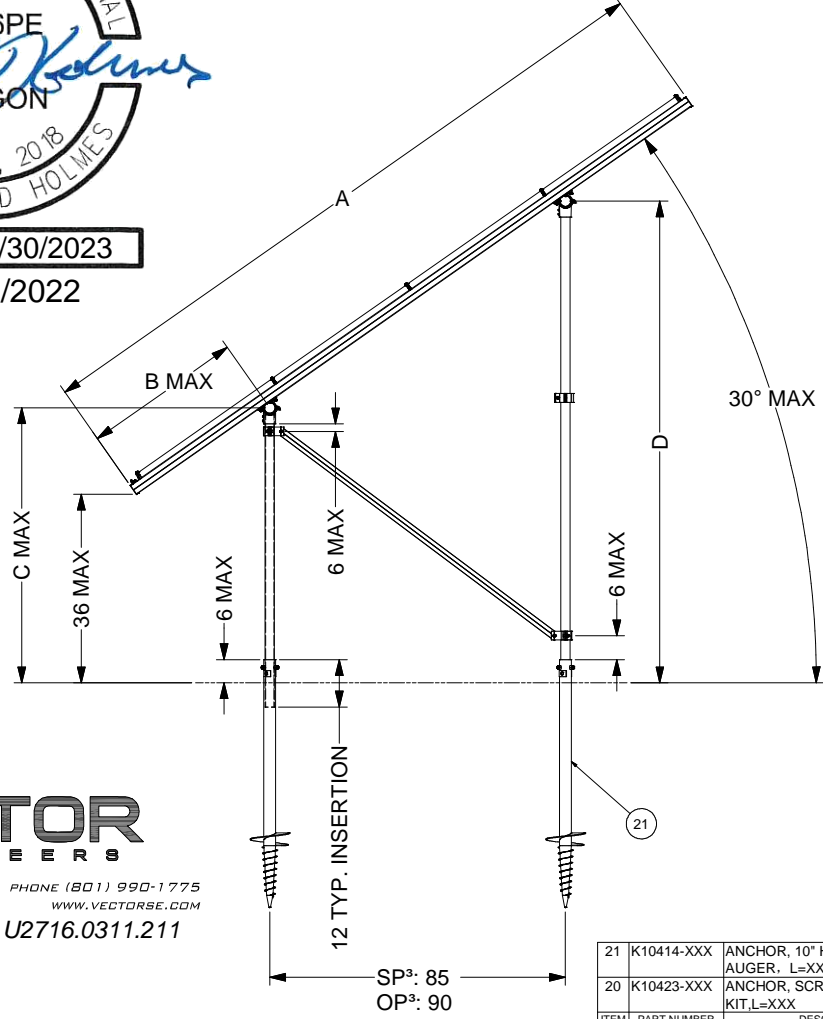
- NOTES**
1. DIMENSIONS IN TABLE ARE SHOWN AT MAXIMUM TILT & LEADING EDGE HEIGHT. PROJECTS WITH LOWER TILTS & LEADING EDGE HEIGHTS WILL RESULT IN REDUCED DIMENSIONS.
  2. MAX DENOTES MAXIMUM PERMISSIBLE DIMENSIONS.
  3. SEE NOTE 7 OF COVER PAGE FOR PANEL SIZES.



**EXPIRES: 6/30/2023**  
08/11/2022



**GROUND SCREW GROUND MOUNT (GSM)**



**AUGER GROUND MOUNT (AGM)**

**VECTOR ENGINEERS**  
651 W. GALENA PARK BLVD. STE. 101 DRAPER, UTAH 84020  
PHONE (801) 990-1775 WWW.VECTORSE.COM  
VECTOR PROJECT #: U2716.0311.211

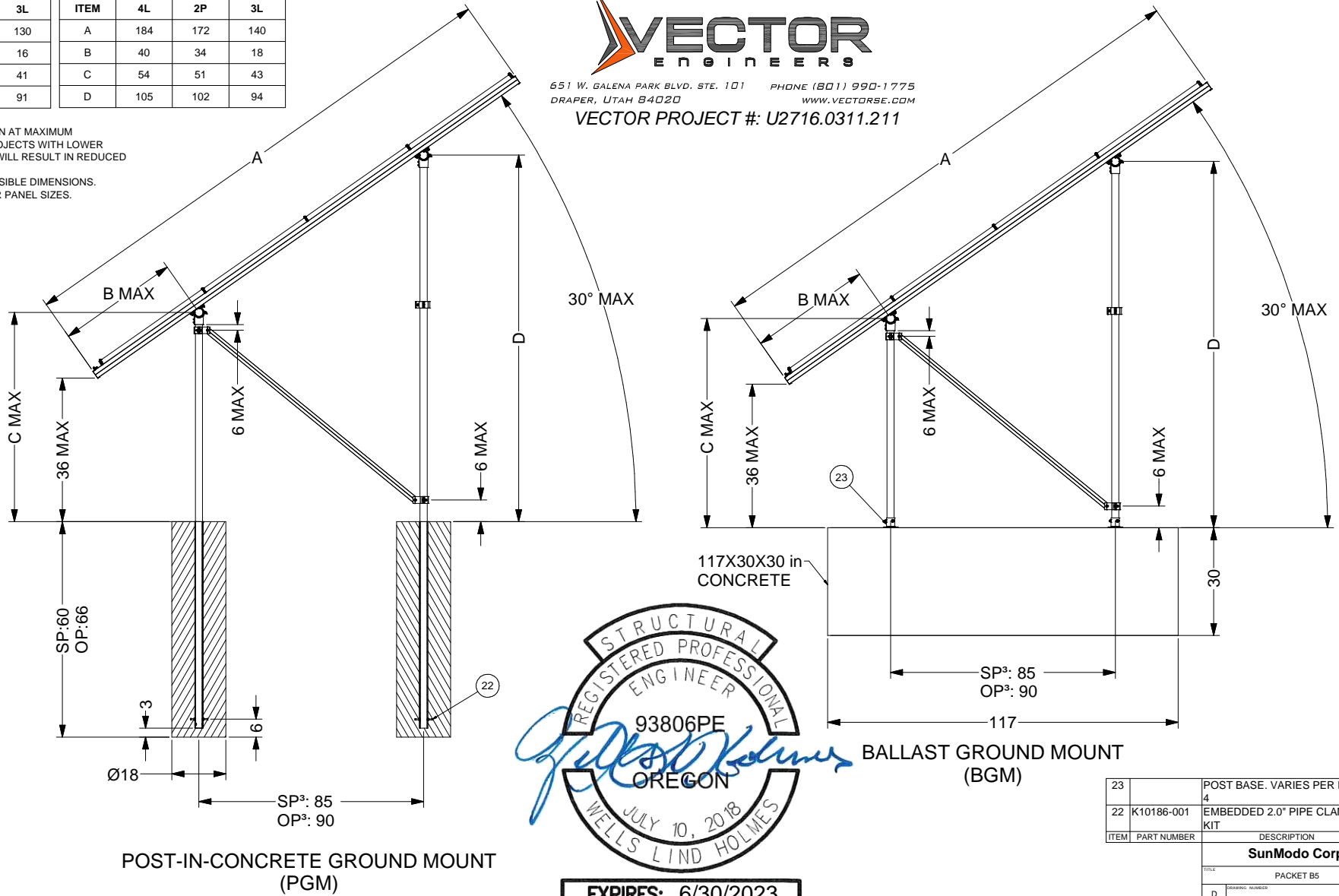
ITEM	PART NUMBER	DESCRIPTION	QTY
21	K10414-XXX	ANCHOR, 10" HELIX SCREW AUGER, L=XXX	
20	K10423-XXX	ANCHOR, SCREW AUGER KIT, L=XXX	
<b>SunModo Corp.</b>			
TITLE: PACKET B5			
D DRAWING NUMBER			
SCALE: SHEET 3 of 4 REV			

DIMENSIONS - STANDARD PANEL				DIMENSIONS - OVERSIZE PANEL			
ITEM	4L	2P	3L	ITEM	4L	2P	3L
A	172	166	130	A	184	172	140
B	37	34	16	B	40	34	18
C	52	50	41	C	54	51	43
D	101	100	91	D	105	102	94

- NOTES**
1. DIMENSIONS IN TABLE ARE SHOWN AT MAXIMUM TILT & LEADING EDGE HEIGHT. PROJECTS WITH LOWER TILTS & LEADING EDGE HEIGHTS WILL RESULT IN REDUCED DIMENSIONS.
  2. MAX DENOTES MAXIMUM PERMISSIBLE DIMENSIONS.
  3. SEE NOTE 7 OF COVER PAGE FOR PANEL SIZES.
  4. K10268-005 (2" PIPE BASE KIT) OR K10302-001 (2" PIPE BASE KIT)



651 W. GALENA PARK BLVD. STE. 101 DRAPER, UTAH 84020  
 PHONE (801) 990-1775 WWW.VECTORSE.COM  
**VECTOR PROJECT #: U2716.0311.211**



23		POST BASE. VARIES PER NOTE	
22	K10186-001	EMBEDDED 2.0" PIPE CLAMP KIT	
ITEM	PART NUMBER	DESCRIPTION	QTY
<b>SunModo Corp.</b>			
PACKET B5			
D		DRAWING NUMBER	
SCALE:		SHEET 4 of 4	REV

**EXPIRES: 6/30/2023**  
 08/11/2022