

STRUCTURAL ONLY

Firm License Number: 413000316

VSE Project Number: U2716-0276-211



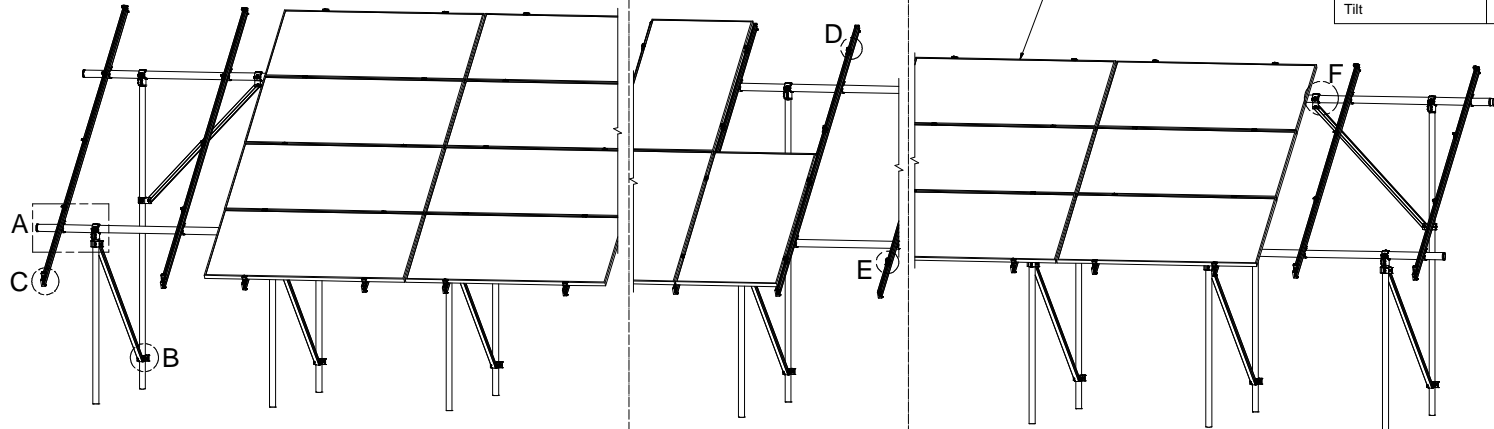
651 W. GALENA PARK BLVD. STE. 101 DRAPER, UTAH 84020
PHONE (801) 990-1775
WWW.VECTORSE.COM

NOTES: UNLESS OTHERWISE SPECIFIED

- THIS DRAWING IS NOT FOR CONSTRUCTION UNTIL ENGINEERING HAS REVIEWED AND STAMPED THIS DOCUMENT.
- DIMENSIONS SHOWN ARE INCHES.
- THE SELF-BONDING SYSTEM AND SINGLE GROUND LUG IS FOR USE WITH PV MODULES THAT HAVE A MAXIMUM SERIES FUSE RATING OF 30A.
- MATERIALS ARE AS SPECIFIED OR EQUIVALENT:
HARDWARE: 304 STAINLESS STEEL
FABRICATED EXTRUDED PARTS: 6005-T5 ALUMINUM ALLOY
FABRICATED DIE CAST PARTS: ANSI/AA A380 ALUMINUM ALLOY
STEEL PIPE: SCHEDULE 40 GALVANIZED
ALUMINUM PIPE: SCHEDULE 10 ANODIZED
- THE MAXIMUM PERMISSIBLE LENGTH OF ANY STRUCTURE SHALL BE 200 FT. FOR SYSTEMS USING A SHARED RAIL CONFIGURATION, A THERMAL BREAK IS REQUIRED IN THE RAIL EVERY 40 FT. PER THE DRAWING DETAILS.
- 4LXN-3LXN-2PXN-35DEG-GSM-AGM-BGM-PGM.
- PANEL DIMENSIONS ARE AS FOLLOWS
STANDARD (SP): MAX 82"X42"
OVERSIZE (OP): MAX 85"X45"
- APPROVED RAIL PROFILES - STANDARD PANELS
A20288-XXX (HR300 RAIL), A20297-001 (END CAP), K10343-002 (U-CLAMP KIT);
A20145-XXX (HR350 RAIL), A20285-001 (END CAP), K10343-001 (U-CLAMP KIT).
- APPROVED RAIL PROFILES - OVERSIZE PANELS
* A20288-XXX (HR300 RAIL), A20297-001 (END CAP), K10343-002 (U-CLAMP KIT);
* A20145-XXX (HR350 RAIL), A20285-001 (END CAP), K10343-001 (U-CLAMP KIT).
* FOR OVERSIZE PANELS, USE (3) RAILS PER PANEL COLUMN IN LIEU OF (2).
- K10224-XXX END CLAMP KIT OR K10299-XXX ADJ. END CLAMP KIT.
- FOUNDATION TYPES:
GSM = GROUND SCREW GROUND MOUNT
AGM = HELICAL AUGER GROUND MOUNT
PGM = POST-IN-CONCRETE GROUND MOUNT
BSM = BALLAST GROUND MOUNT

Packet A9

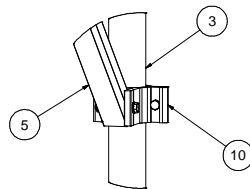
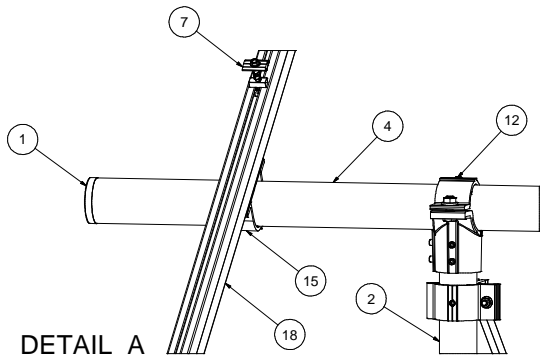
Model Code	ASCE 7-16
Exposure Category	C and Lower
Wind Speed	140 mph and Lower
Ground Snow Load	70 PSF and Lower
Tilt	35 DEG and Lower



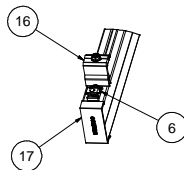
4L
4-IN-LANDSCAPE

2P
2-IN-PROTRAIT

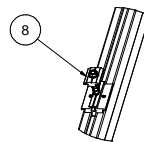
3L
3-IN-LANDSCAPE



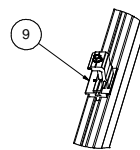
DETAIL B



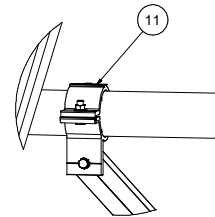
DETAIL C



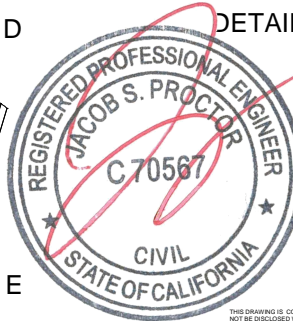
DETAIL D



DETAIL E



DETAIL F



19	PANEL		
18	HELIO RAIL. VARIES PER NOTE 8 & 9		
17	HELIO RAIL END CAP. VARIES PER NOTE 8 & 9		
16	END CLAMP KIT. VARIES PER NOTE 10		
15	K10343-001 2.5" AL PIPE U-CLAMP KIT		
14	K10448-001 2.5" PIPE SPLICE KIT		
13	K10342-001 2.5" PIPE SPLICE KIT		
12	K10341-001 2.5" PIPE TEE KIT		
11	K10222-001 2.5" PIPE CLAMP KIT		
10	K10219-001 2" AL PIPE CLAMP KIT		
9	K10183-XXX LANDSCAPE GROUNDING END CLAMP KIT		
8	K10182-001 LANDSCAPE GROUNDING MID CLAMP KIT		
7	K10180-001 GROUNDING MID-CLAMP KIT WITH T COLLAR BOLT AND GROUNDING BASE		
6	K10179-001 SELF-GROUNDING LUG KIT		
5	A50164-XXX 1.5" SQ. STL TUBE BRACE, L=XXX		
4	A21168-XXX PIPE, HSS, 2.875" OD X 12 GAUGE, L=XXX		
3	A21165-XXX PIPE, HSS, 2.375" OD X 12 GAUGE, L=XXX (REAR)		
2	A21165-XXX PIPE, HSS, 2.375" OD X 12 GAUGE, L=XXX (FRONT)		
1	A20380-001 2.5" PIPE END CAP		
ITEM	PART NUMBER	DESCRIPTION	QTY

SEE BOM	
THIRD ANGLE PROJECTION	
PERSONAL USE ONLY (Not for Redistribution)	
DATE: 08/21/2021	TIME: 08:00 AM
CHECKED BY: KVV	DATE: 08/21/2021
SunModo Corp. 14800 NE 65TH STREET, VANCOUVER WA 98682	
TITLE: PACKET A9	
D	DRAWING NUMBER
SCALE:	SHEET 1 of 4

05/06/2022

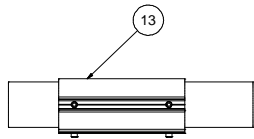
THIS DRAWING IS CONFIDENTIAL PROPERTY OF SUNMODO AND ITS CONTENTS MAY NOT BE DISCLOSED WITHOUT THE PRIOR WRITTEN CONSENT OF SUNMODO CORP.

NOTES:

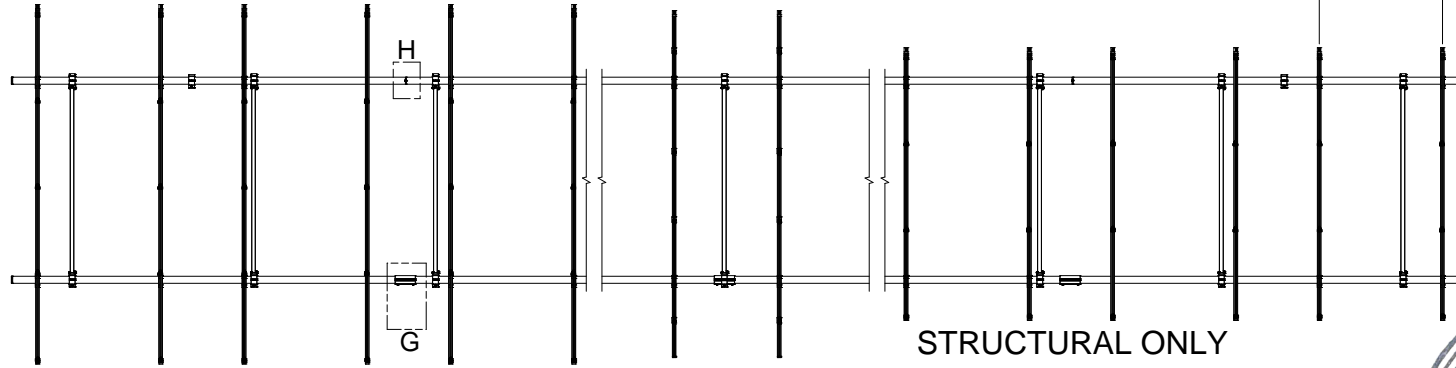
- 1. DIMENSIONS LABELED AS MAX ARE MAXIMUM ALLOWABLE AND MAY RESULT IN END POSTS BEING OUTSIDE ARRAY EDGES. MAXIMUM DIMENSIONS MAY BE REDUCED IF DESIRED.
- 2. SEE NOTE 7 OF COVER PAGE FOR PANEL SIZES.

RAIL SPACING

LANDSCAPE: PER PANEL MANUFACTURER
 PORTRAIT: PANEL WIDTH + 0.25"



DETAIL G

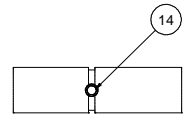


STRUCTURAL ONLY

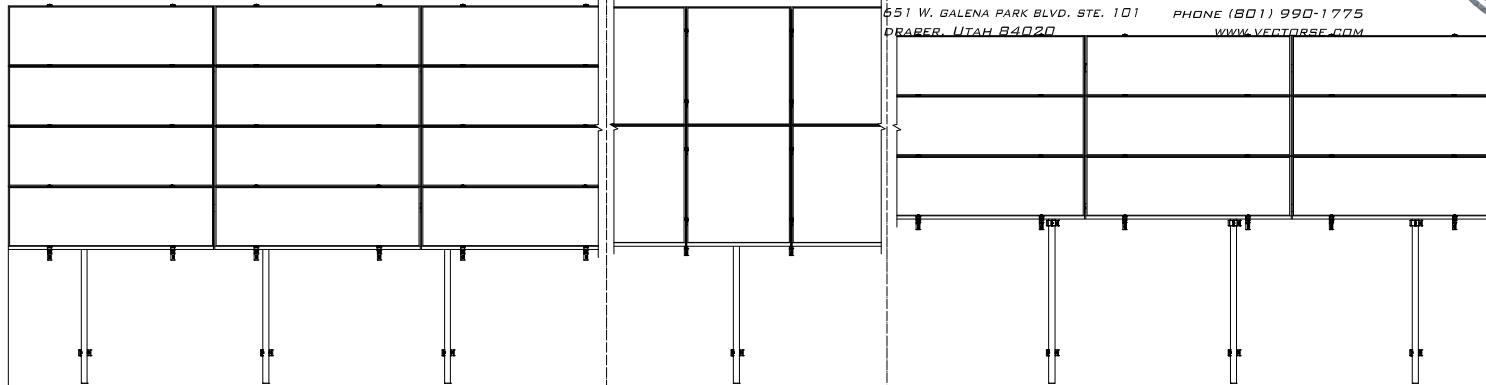
Firm License Number: 413000316
 VSE Project Number: U2716-0276-211



551 W. GALENA PARK BLVD. STE. 101 PRAGER, UTAH 84020
 PHONE (801) 990-1775 WWW.VECTORSE.COM



DETAIL H (ALTERNATE)



SP²: 34 MAX
 OP²: 20 MAX

SP²: 72 MAX¹
 OP²: 60 MAX¹

4L
 4-IN-LANDSCAPE

2P
 2-IN-PROTRAIT

3L
 3-IN-LANDSCAPE

05/06/2022

SunModo Corp.	
TITLE	PACKET A9
D	DRAWING NUMBER
SCALE:	SHEET 2 of 4 REV

STRUCTURAL ONLY

Firm License Number: 413000316

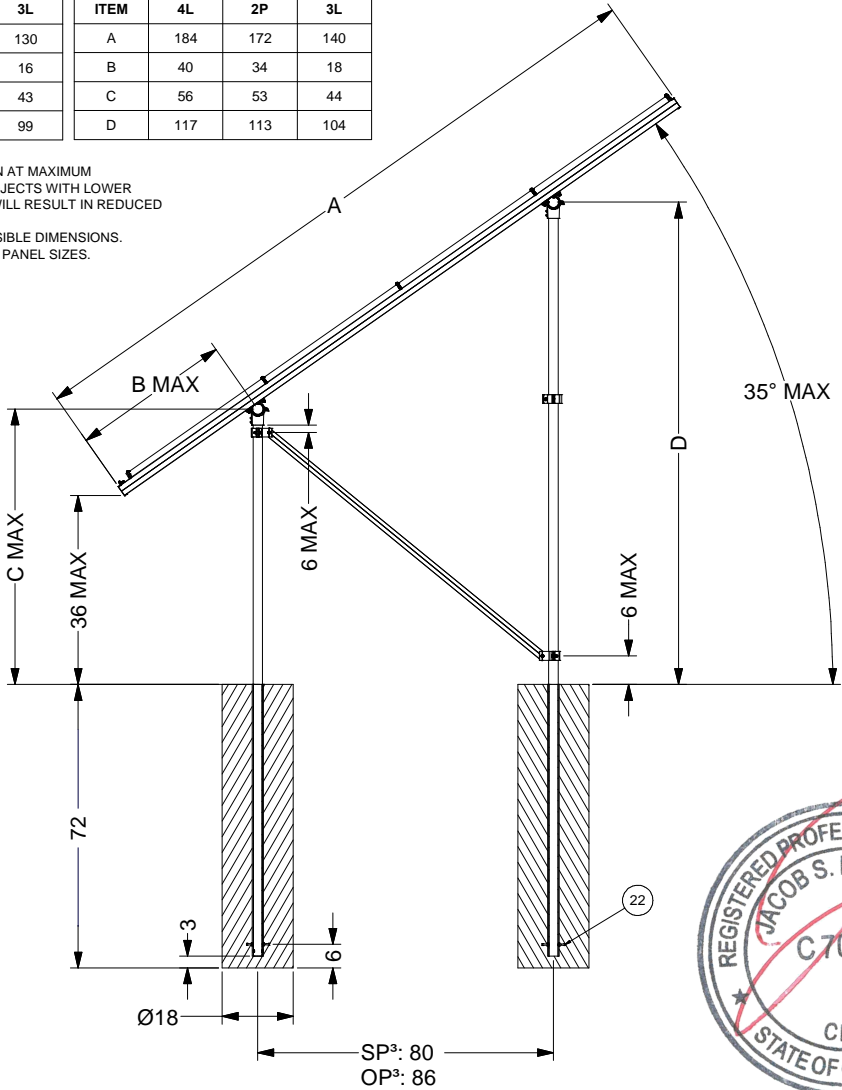
VSE Project Number: U2716-0276-211



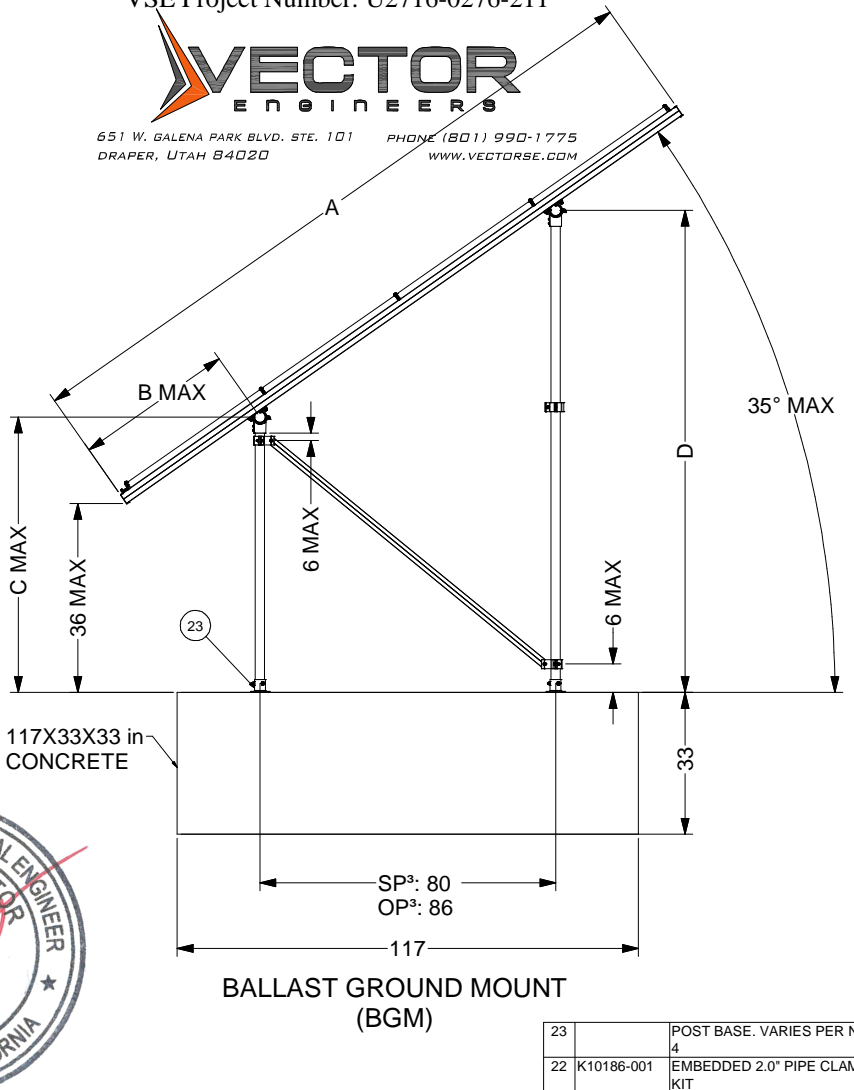
651 W. GALENA PARK BLVD., STE. 101 DRAPER, UTAH 84020
 PHONE (801) 990-1775
 WWW.VECTORSE.COM

DIMENSIONS - STANDARD PANEL				DIMENSIONS - OVERSIZE PANEL			
ITEM	4L	2P	3L	ITEM	4L	2P	3L
A	172	166	130	A	184	172	140
B	37	34	16	B	40	34	18
C	55	53	43	C	56	53	44
D	111	109	99	D	117	113	104

- NOTES**
1. DIMENSIONS IN TABLE ARE SHOWN AT MAXIMUM TILT & LEADING EDGE HEIGHT. PROJECTS WITH LOWER TILTS & LEADING EDGE HEIGHTS WILL RESULT IN REDUCED DIMENSIONS.
 2. MAX DENOTES MAXIMUM PERMISSIBLE DIMENSIONS.
 3. SEE NOTE 7 OF COVER PAGE FOR PANEL SIZES.
 4. K10268-005 (2" PIPE BASE KIT) OR K10302-001 (2" PIPE BASE KIT)



POST-IN-CONCRETE GROUND MOUNT (PGM)



BALLAST GROUND MOUNT (BGM)



05/06/2022

23		POST BASE. VARIES PER NOTE	
4			
22	K10186-001	EMBEDDED 2.0" PIPE CLAMP KIT	
ITEM	PART NUMBER	DESCRIPTION	QTY
SunModo Corp.			
TITLE: PACKET A9			
D DRAWING NUMBER			
SCALE: SHEET 4 of 4 REV			