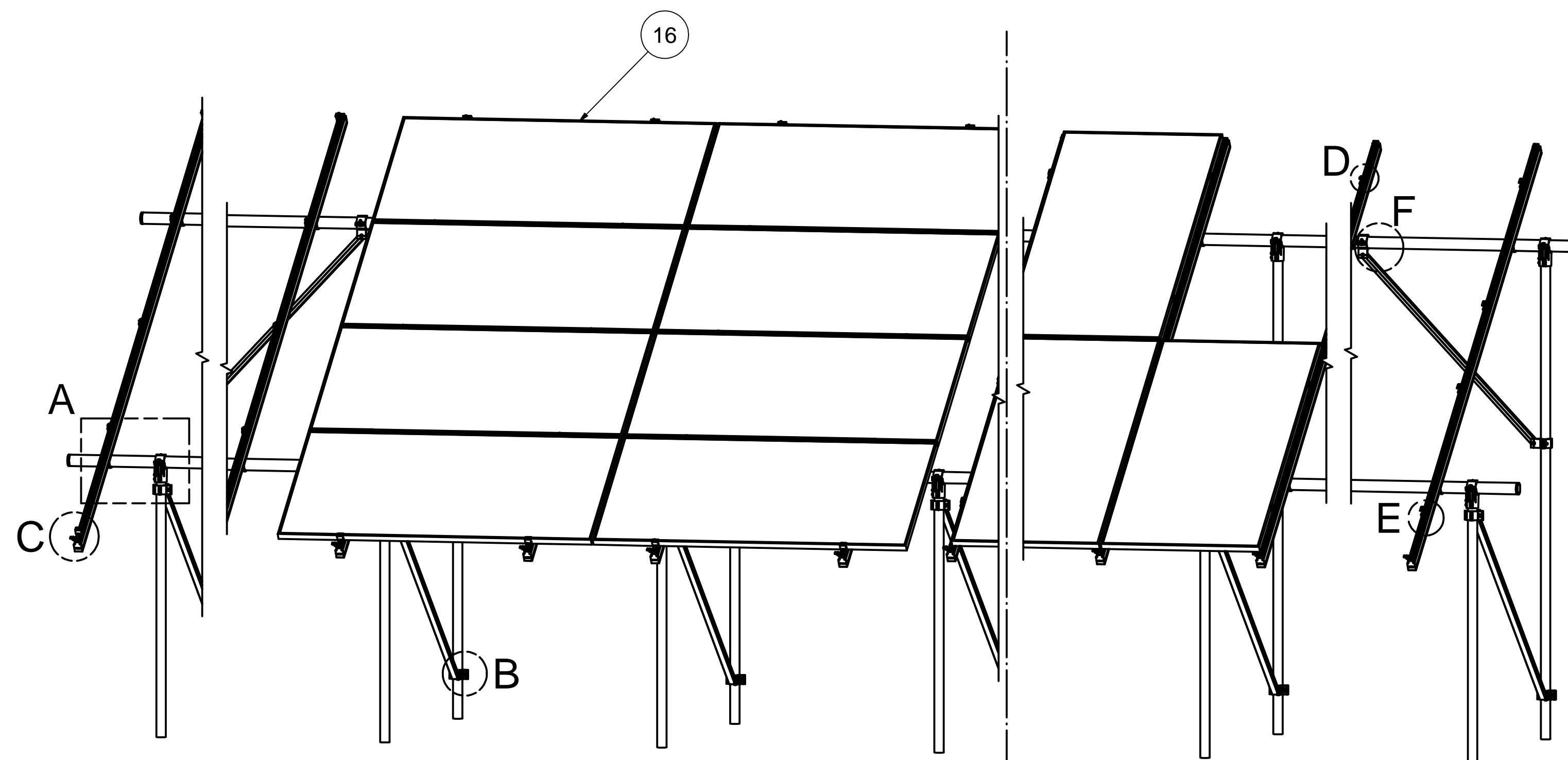


Model Code	ASCE 7-16
Exposure Category	B
Wind Speed	105 mph and Lower
Ground Snow Load	90 PSF and Lower
Tilt	20 TO 35 DEG

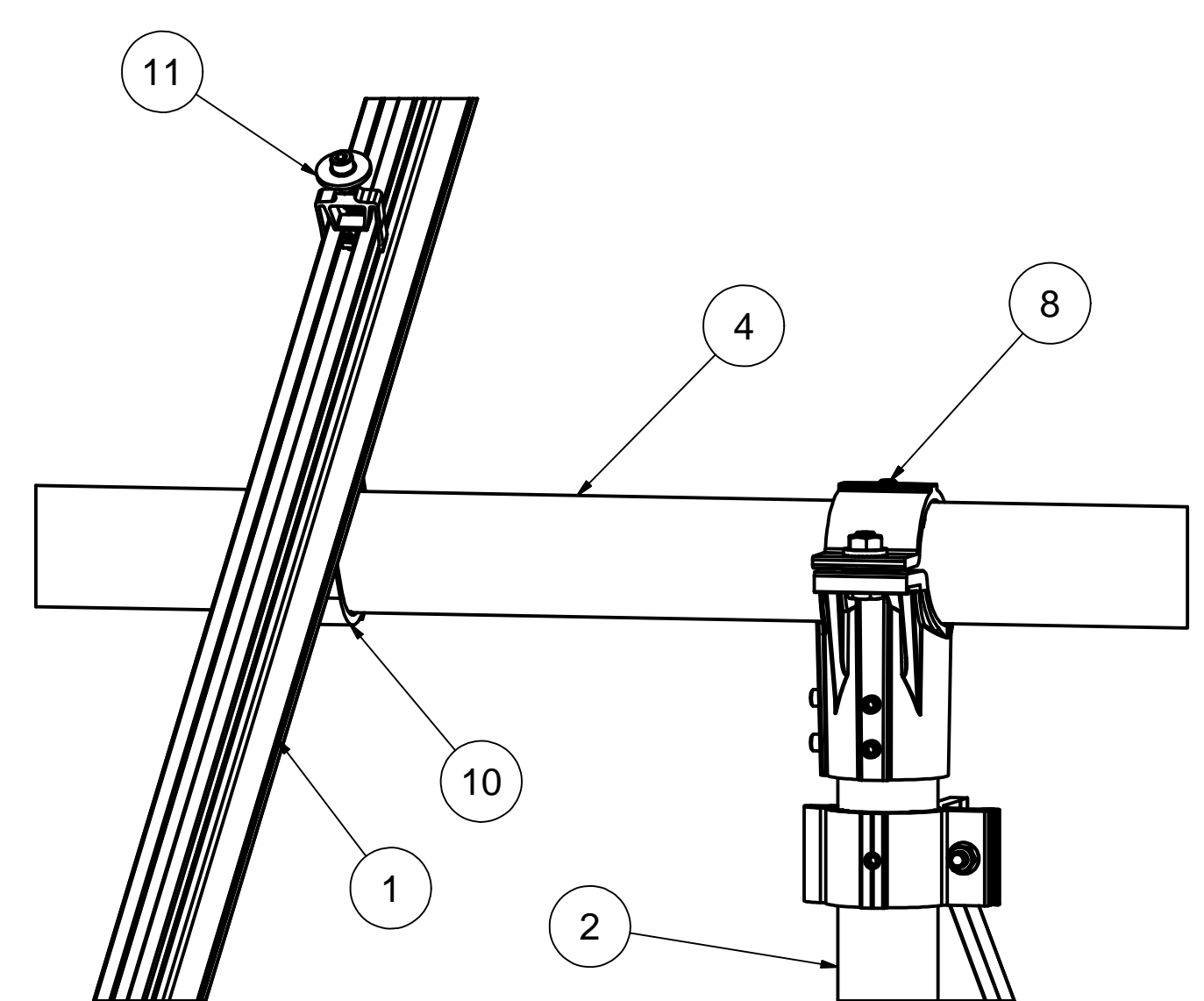
NOTES: UNLESS OTHERWISE SPECIFIED

- THIS DRAWING IS NOT FOR CONSTRUCTION UNTIL ENGINEERING HAS REVIEWED AND STAMPED THIS DOCUMENT.
- DIMENSIONS SHOWN ARE INCHES.
- THE SELF-BONDING SYSTEM AND SINGLE GROUND LUG IS FOR USE WITH PV MODULES THAT HAVE A MAXIMUM SERIES FUSE RATING OF 30A.
- MATERIALS ARE AS SPECIFIED OR EQUIVALENT:
 HARDWARE: 304 STAINLESS STEEL
 FABRICATED EXTRUDED PARTS: 6005-T5 ALUMINUM ALLOY
 FABRICATED DIE CAST PARTS: ANSI/AA A380 ALUMINUM ALLOY
 STEEL PIPE: SCHEDULE 40 GALVANIZED
 ALUMINUM PIPE: SCHEDULE 10 ANODIZED
- THE MAXIMUM PERMISSIBLE LENGTH OF ANY STRUCTURE SHALL BE 200 FT. FOR SYSTEMS USING A SHARED RAIL CONFIGURATION, A THERMAL BREAK IS REQUIRED IN THE RAIL EVERY 40 FT. PER THE DRAWING DETAILS.
- SUNTURF SYSTEM CONFIGURATIONS:
 PANEL ARRANGEMENT: 4LXN, OR 2PXN.
 TILT ANGLE: 20 TO 35 DEG.
 FOUNDATION TYPE: GSM, AGM, BGM, OR PGM.
- PANEL DIMENSIONS ARE AS FOLLOWS:
 STANDARD PANEL (SP): MAX AREA: 3444 in²
 LARGE FORMAT (LF): MAX AREA: 3825 in²
 PANEL FRAME HEIGHTS: 30mm TO 50mm.
- FOUNDATION TYPES:
 GSM = GROUND SCREW GROUND MOUNT
 AGM = HELICAL AUGER GROUND MOUNT
 PGM = POST-IN-CONCRETE GROUND MOUNT
 BSM = BALLAST GROUND MOUNT
- SEE LETTER PROVIDED BY VECTOR STRUCTURAL ENGINEERING, LLC FOR FOUNDATION DESIGN AND LOAD TESTING REQUIREMENTS.

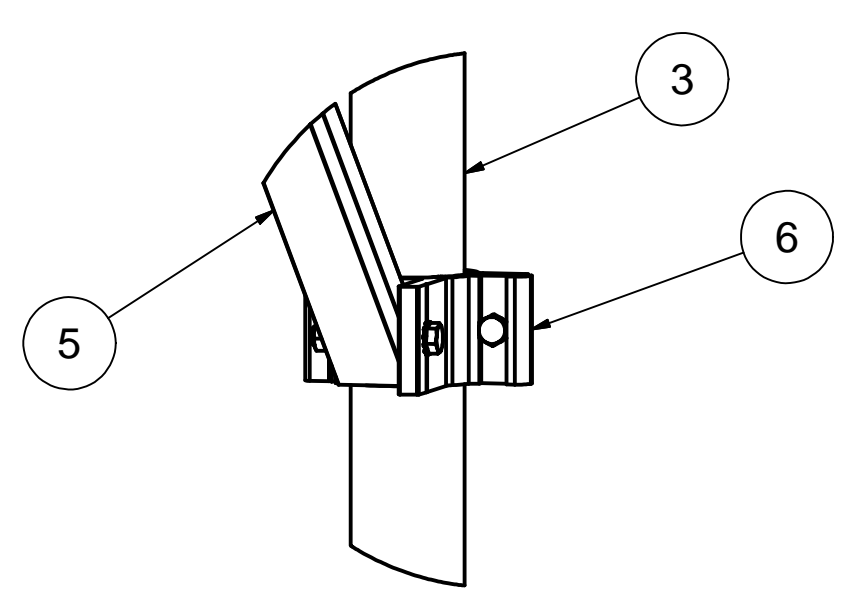


4L
4-IN-LANDSCAPE

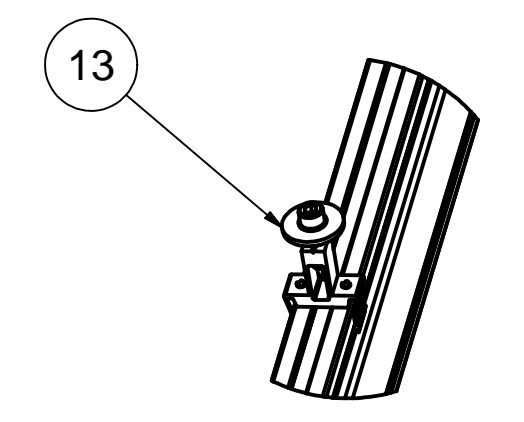
2P
2-IN-PROTRAIT



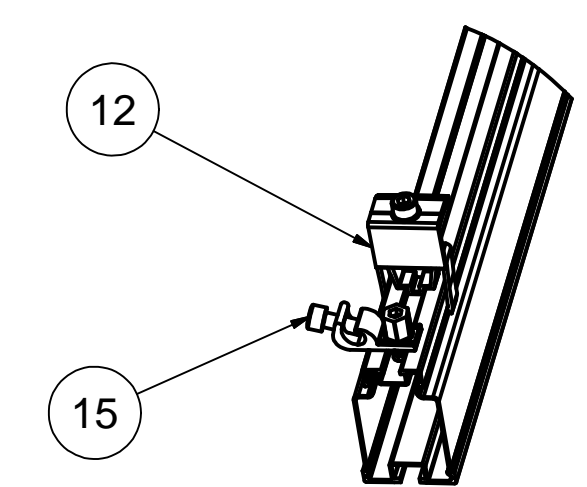
DETAIL A



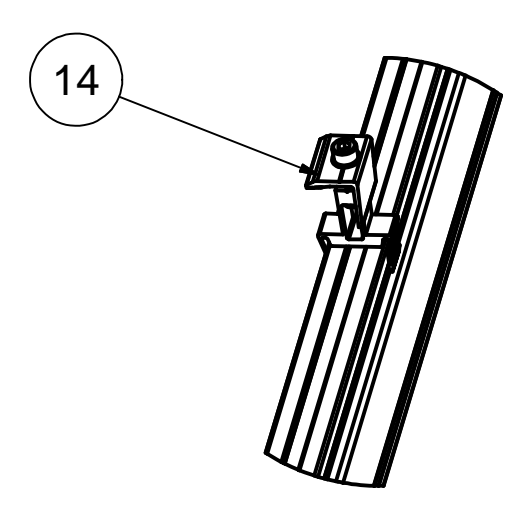
DETAIL B



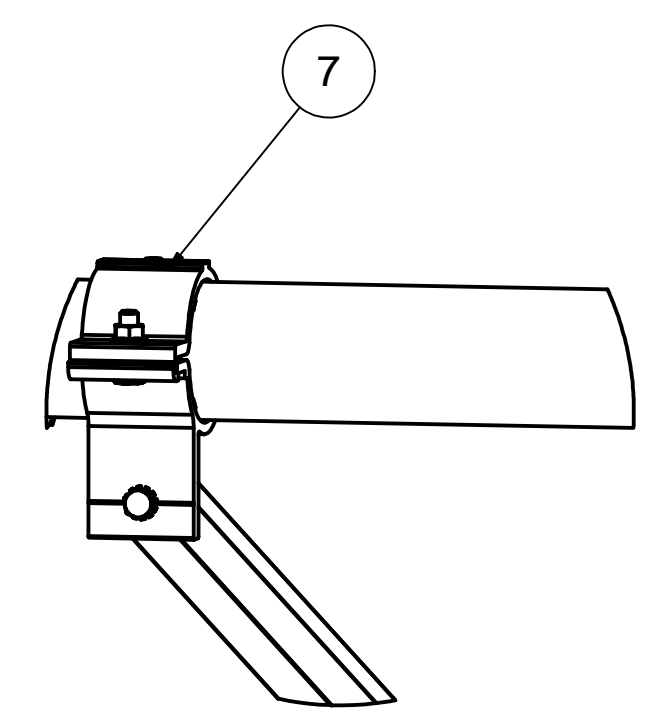
DETAIL D



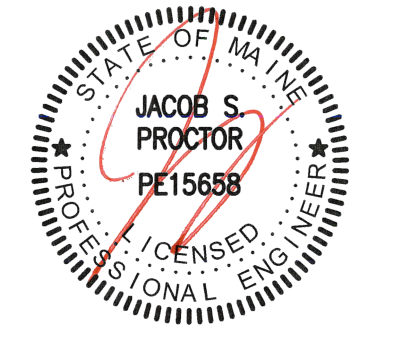
DETAIL C



DETAIL E



DETAIL F



04/07/2022
 VSE Project Number: U2716-0334-221
 STRUCTURAL ONLY

ITEM	PART NUMBER	DESCRIPTION	QTY
16		PANEL	
15	K10469-001	SMR GROUND LUG KIT	
14	K10420-XXX	SHARED RAIL END CLAMP, SMR POP-ON, CLEAR	
13	K10419-XXX	SHARED RAIL MID CLAMP, SMR POP-ON, CLEAR	
12	K10418-XXX	SMR POP-ON END CLAMP KIT, CLEAR	
11	K10417-XXX	MID CLAMP, SMR POP-ON, CLEAR	
10	K10343-005	2.5" AL PIPE U-CLAMP KIT	
9	K10342-001	2.5" PIPE SPLICE KIT	
8	K10341-002	2.5" PIPE TEE KIT	
7	K10222-001	2.5" PIPE CLAMP KIT	
6	K10219-001	2" AL PIPE CLAMP KIT	
5	A50164-XXX	1.5" SQ. STL TUBE BRACE, L=XXX	
4	A21168-XXX	PIPE, HSS, 2.875" OD X 12 GAUGE, L=XXX	
3	A21165-XXX (REAR)	PIPE, HSS, 2.375" OD X 12 GAUGE, L=XXX	
2	A21165-XXX (FRONT)	PIPE, HSS, 2.375" OD X 12 GAUGE, L=XXX	
1	A20444-XXX	SMR300 RAIL, L=XXX	

MATERIAL: SEE BOM

Third Angle Projection:

GENERAL SPECIFICATIONS
 All Dimensions in inches (millimeters)
 Tolerances:
 FRACTIONS (0.25mm)
 DECIMALS (0.25mm)
 X.XX (0.25mm)
 X.XXX (0.25mm)
 UNLESS OTHERWISE SPECIFIED

Break all sharp edges
 010:000 unless otherwise specified

DATE: 04/07/2022

DRAWN BY: LU
 CHECKED BY:

SunModo Corp.
 14800 NE 65TH STREET, VANCOUVER WA 98682

TITLE: PACKET A11

D: DRAWING NUMBER

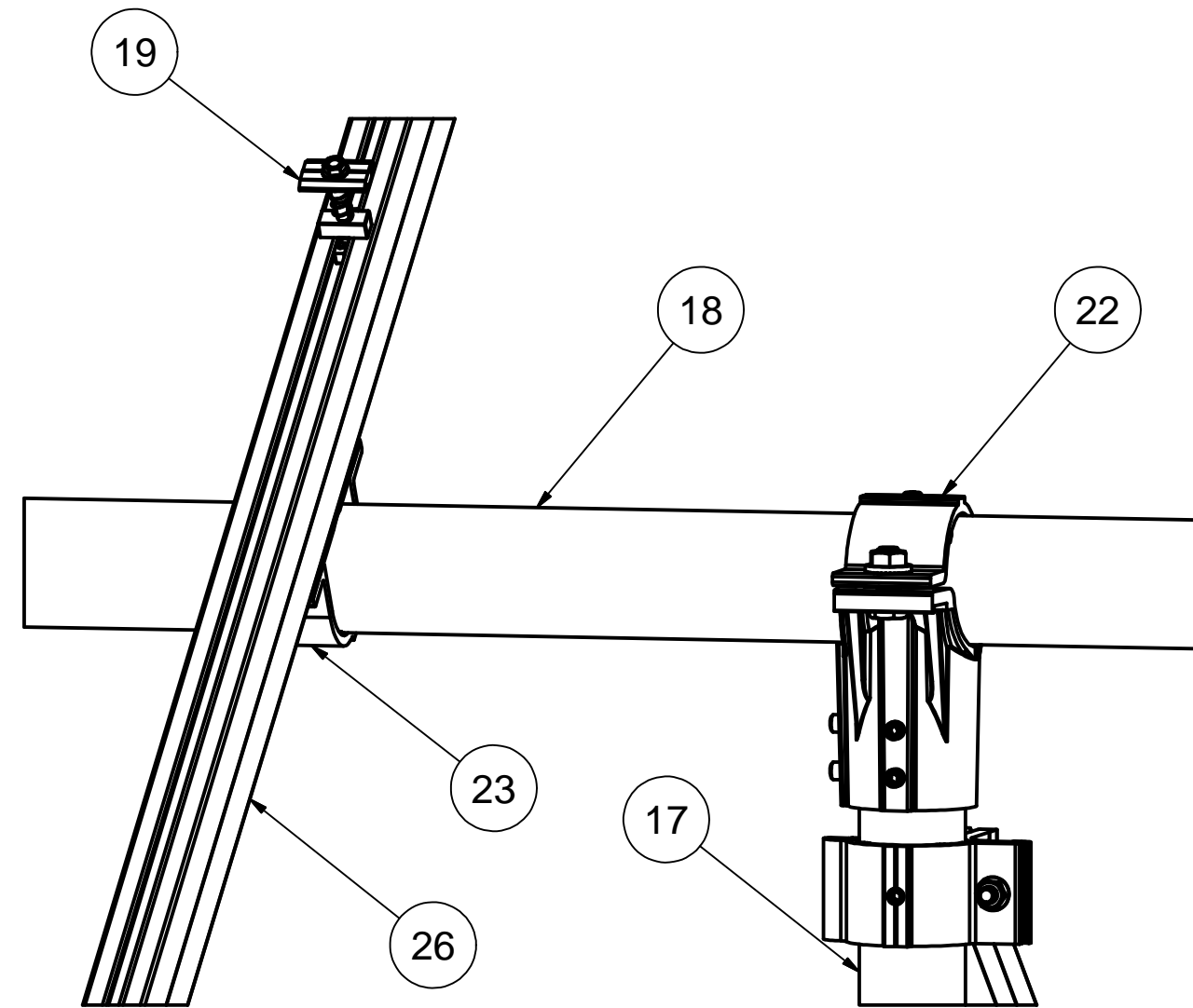
SCALE: SHEET 1 of 5

THIS DRAWING IS CONFIDENTIAL PROPERTY OF SUNMODO AND ITS CONTENTS MAY NOT BE DISCLOSED WITHOUT THE PRIOR WRITTEN CONSENT OF SUNMODO CORP.

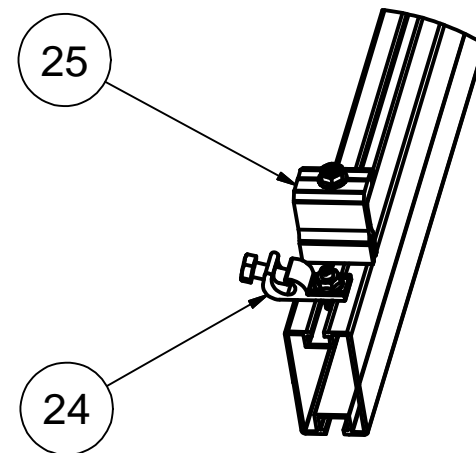
NOTES: UNLESS OTHERWISE SPECIFIED

1. APPROVED RAIL PROFILES - STANDARD PANELS
A20288-XXX (HR300 RAIL), A20297-001 (END CAP),
K10343-002 (U-CLAMP KIT);
A20145-XXX (HR350 RAIL), A20285-001 (END CAP),
K10343-001 (U-CLAMP KIT).
2. APPROVED RAIL PROFILES - OVERSIZE PANELS
* A20288-XXX (HR300 RAIL), A20297-001 (END CAP),
K10343-002 (U-CLAMP KIT);
* A20145-XXX (HR350 RAIL), A20285-001 (END CAP),
K10343-001 (U-CLAMP KIT).
3. K10224-XXX END CLAMP KIT OR K10299-XXX ADJ.
END CLAMP KIT.

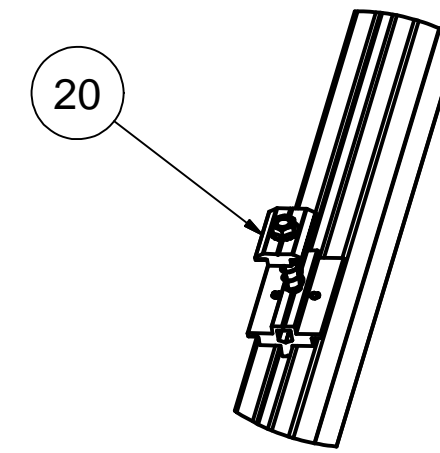
ALTERNATE(ALT) DETAILS
HR300, HR350 RAIL PROFILES



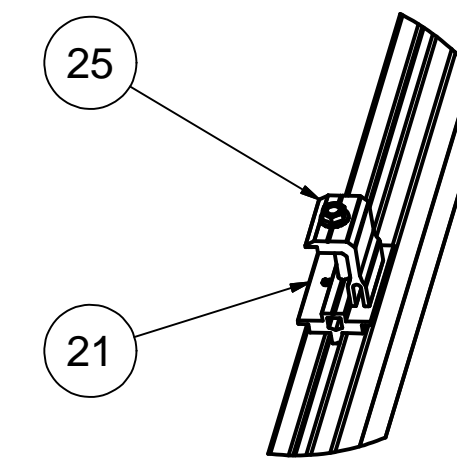
DETAIL A-ALT



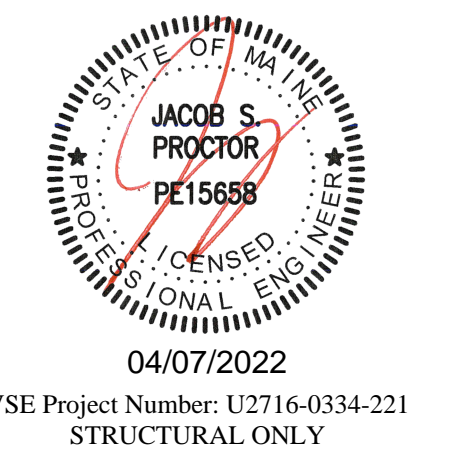
DETAIL C-ALT



DETAIL D-ALT



DETAIL E-ALT



ITEM	PART NUMBER	DESCRIPTION	QTY
26		HELIO RAIL. VARIES PER NOTE 1 & 2	
25		END CLAMP KIT. VARIES PER NOTE 3	
24	K10469-003	HR GROUNDING LUG KIT	
23	K10343-XXX	2.5" AL PIPE U-CLAMP KIT	
22	K10341-002	2.5" PIPE TEE KIT	
21	K10176-001	END CLAMP SHARED RAIL ADAPTOR	
20	K10182-001	SHARED RAIL GROUNDING MID-CLAMP KIT(FOR 2P)	
19	K10180-001	GROUNDING MID-CLAMP KIT WITH T COLLAR BOLT AND GROUNDING BASE	
18	A21168-XXX	PIPE, HSS, 2.875" OD X 12 GAUGE, L=XXX	
17	A21165-XXX	PIPE, HSS, 2.375" OD X 12 GAUGE, L=XXX	

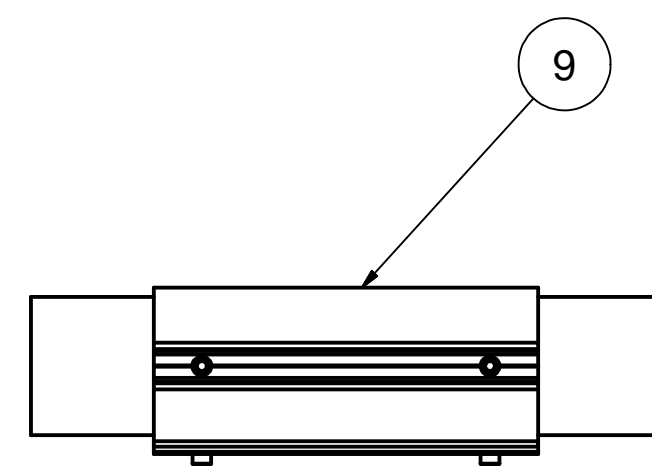
SunModo Corp.

TITLE
PACKET A11

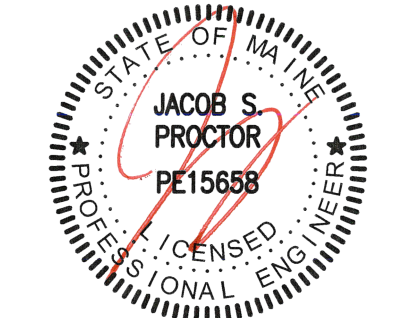
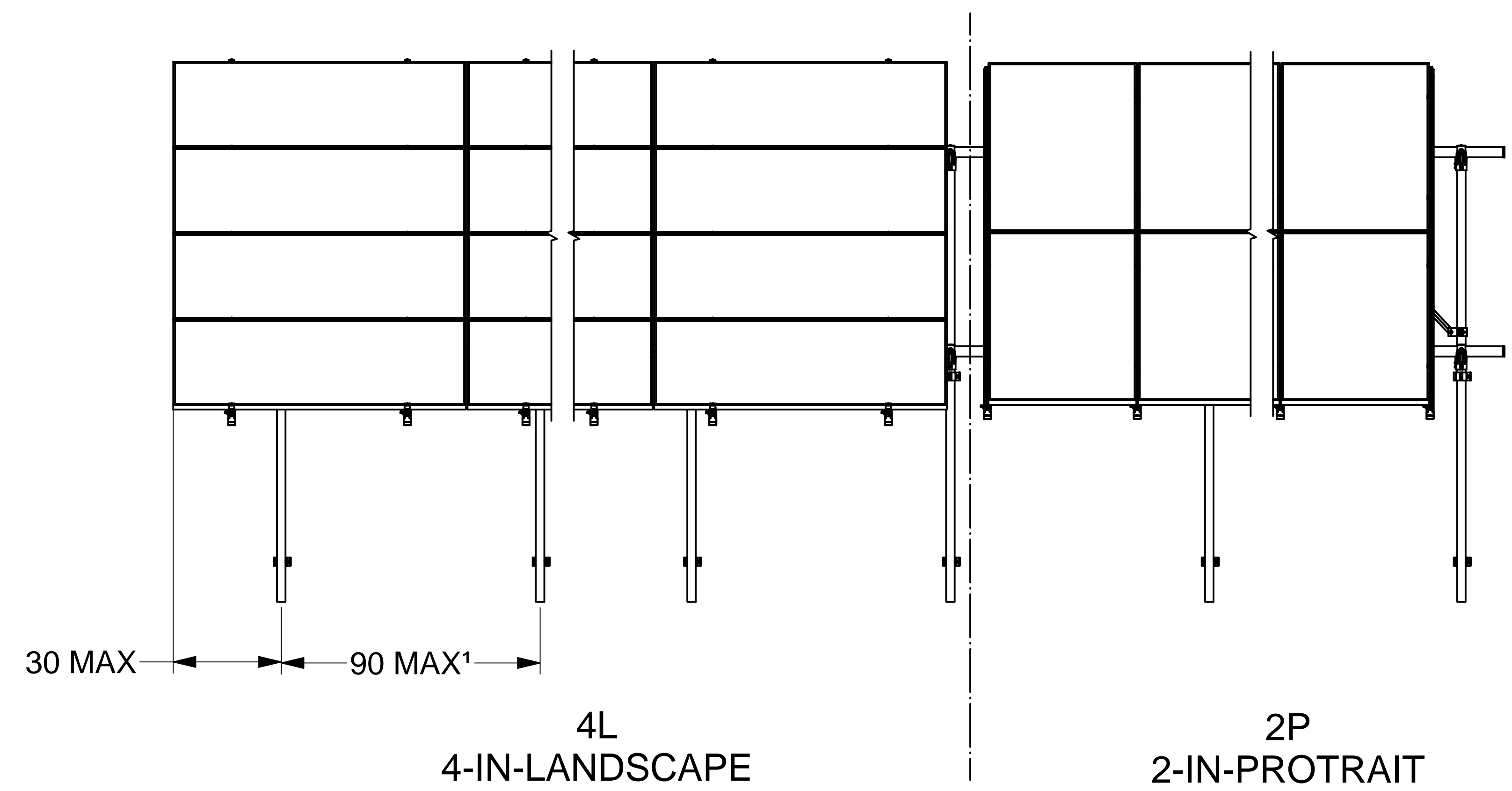
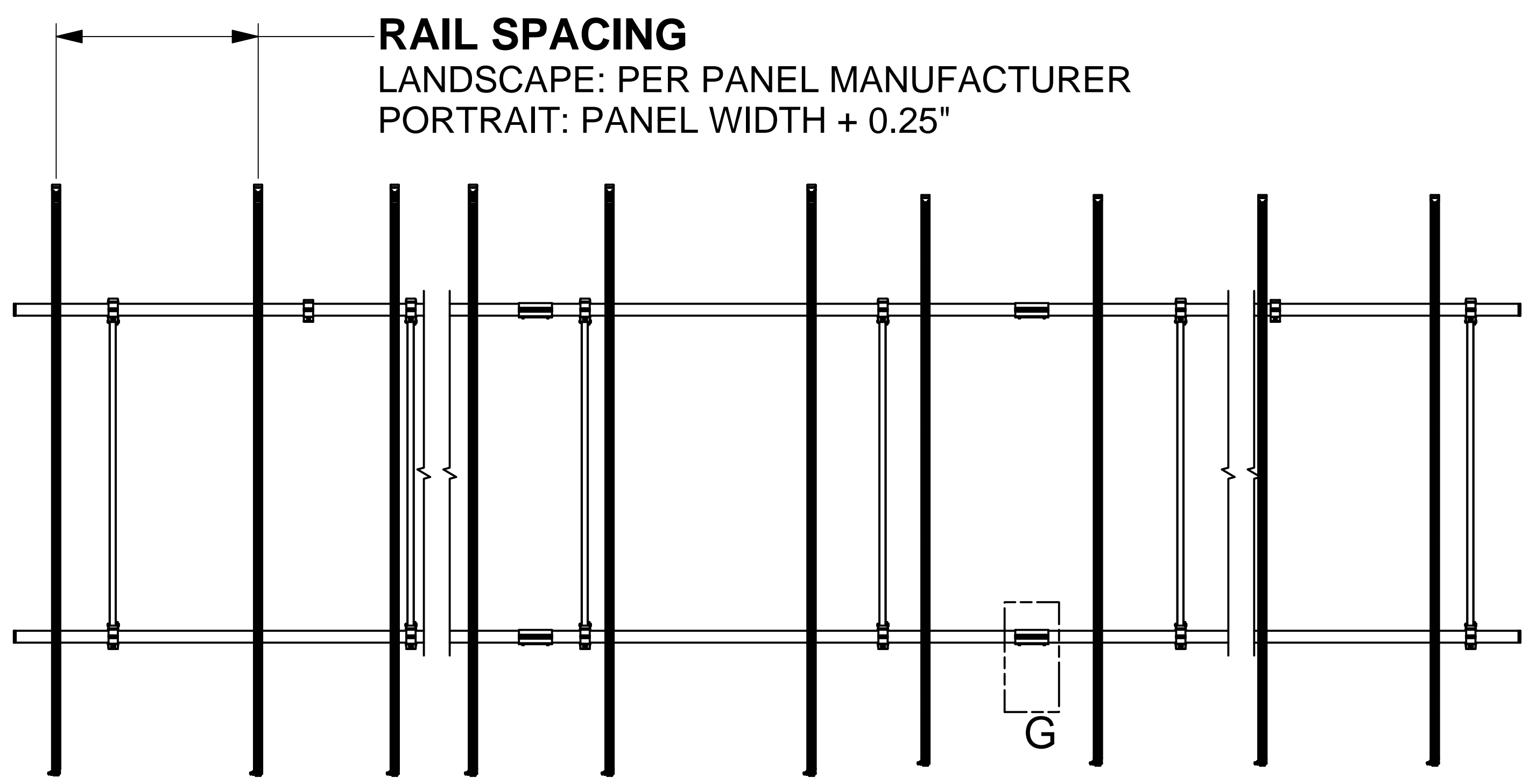
DRAWING NUMBER

SCALE: SHEET 2 of 5 REV

- NOTES:**
1. DIMENSIONS LABELED AS MAX ARE MAXIMUM ALLOWABLE AND MAY RESULT IN END POSTS BEING OUTSIDE ARRAY EDGES. MAXIMUM DIMENSIONS MAY BE REDUCED IF DESIRED.
 2. SEE NOTE 7 OF COVER PAGE FOR PANEL SIZES.



DETAIL G



04/07/2022
VSE Project Number: U2716-0334-221
STRUCTURAL ONLY

SunModo Corp.			
TITLE: PACKET A11			
DRAWING NUMBER: D			
SCALE:	SHEET 3 of 5	REV	

DIMENSIONS - STANDARD PAN

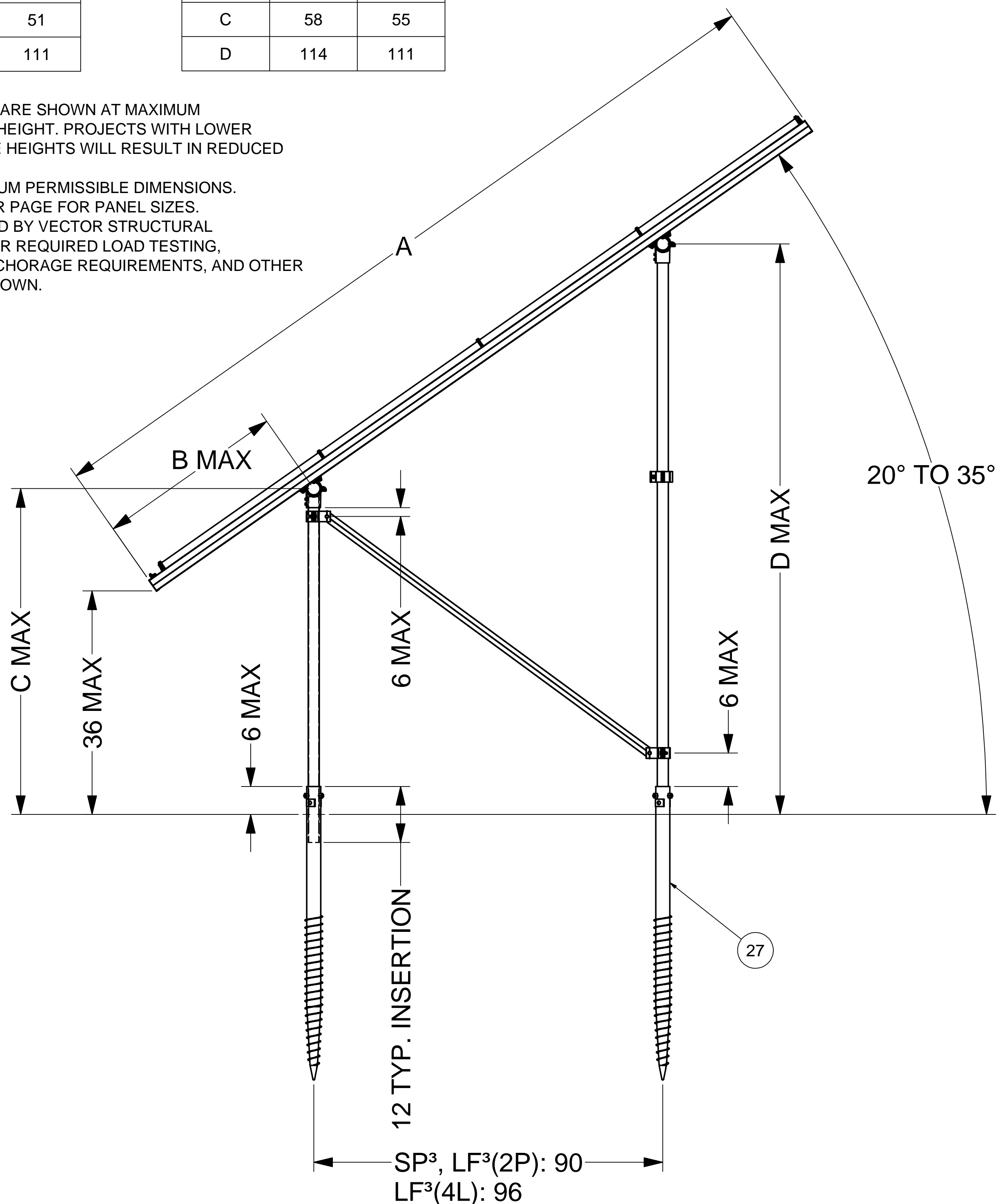
ITEM	4L	2P
A	172	166
B	39	36
C	53	51
D	113	111

DIMENSIONS - LARGE FORMAT

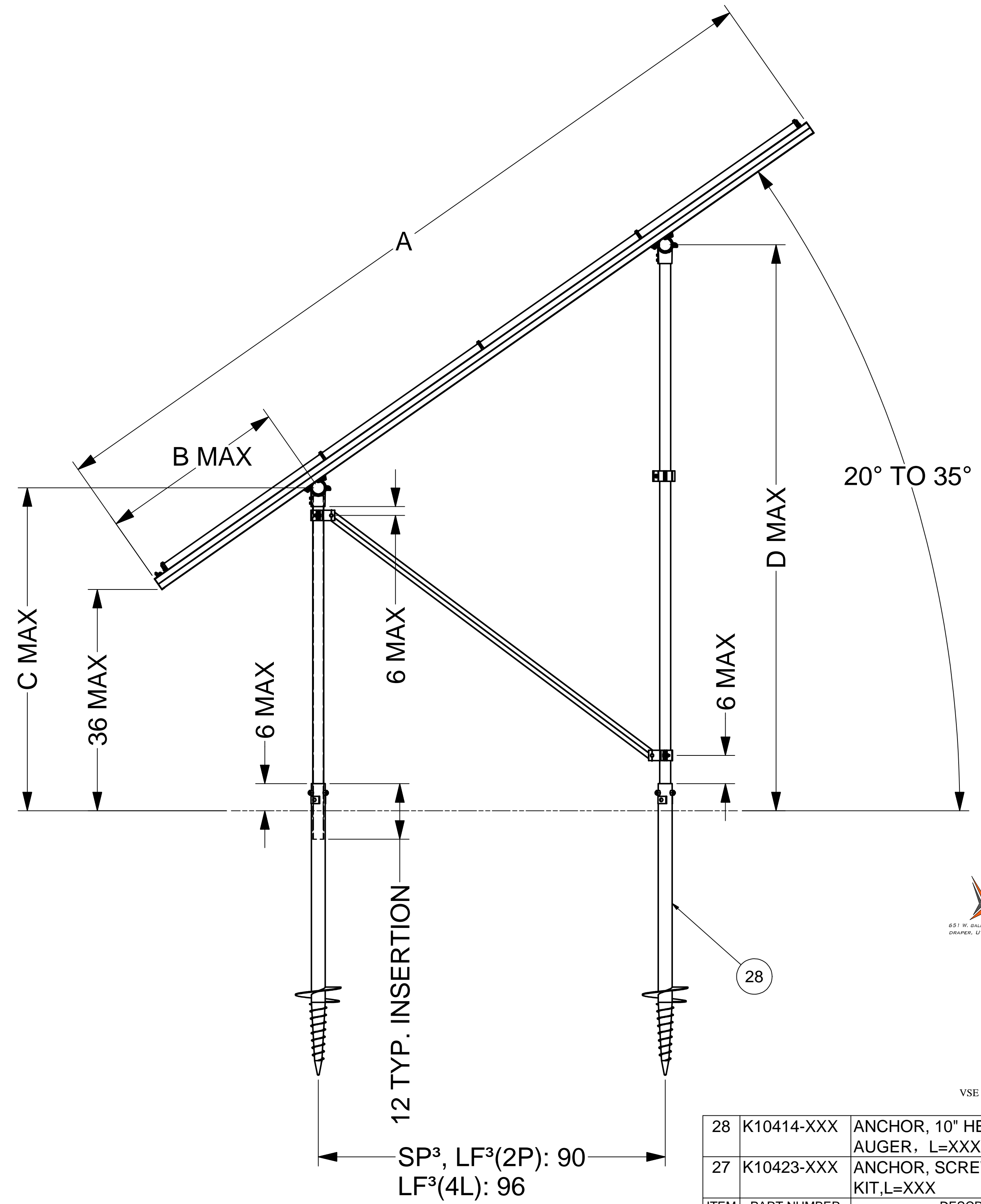
ITEM	4L	2P
A	184	172
B	41	39
C	58	55
D	114	111

NOTES

1. DIMENSIONS IN TABLE ARE SHOWN AT MAXIMUM TILT & LEADING EDGE HEIGHT. PROJECTS WITH LOWER TILTS & LEADING EDGE HEIGHTS WILL RESULT IN REDUCED DIMENSIONS.
2. MAX DENOTES MAXIMUM PERMISSIBLE DIMENSIONS.
3. SEE NOTE 7 OF COVER PAGE FOR PANEL SIZES.
4. SEE LETTER PROVIDED BY VECTOR STRUCTURAL ENGINEERING, LLC FOR REQUIRED LOAD TESTING, FOUNDATION AND ANCHORAGE REQUIREMENTS, AND OTHER INFORMATION NOT SHOWN.



GROUND SCREW GROUND MOUNT (GSM)⁴



AUGER GROUND MOUNT (AGM)⁴

ITEM	PART NUMBER	DESCRIPTION	QTY
28	K10414-XXX	ANCHOR, 10" HELIX SCREW AUGER, L=XXX	
27	K10423-XXX	ANCHOR, SCREW AUGER KIT, L=XXX	

VECTOR ENGINEERS
 831 W. GILLEN PARK BLVD. STE. 101 PHONE: (801) 990-1775
 GRAND, UT 84025 WWW.VECTORENG.COM

JACOB S. PROCTOR
 PE15658
 LICENSED PROFESSIONAL ENGINEER
 STATE OF UTAH

04/07/2022
 VSE Project Number: U2716-0334-221
 STRUCTURAL ONLY

SunModo Corp.	
TITLE	PACKET A11
D	DRAWING NUMBER
SCALE:	SHEET 4 of 5 REV

DIMENSIONS - STANDARD PAN

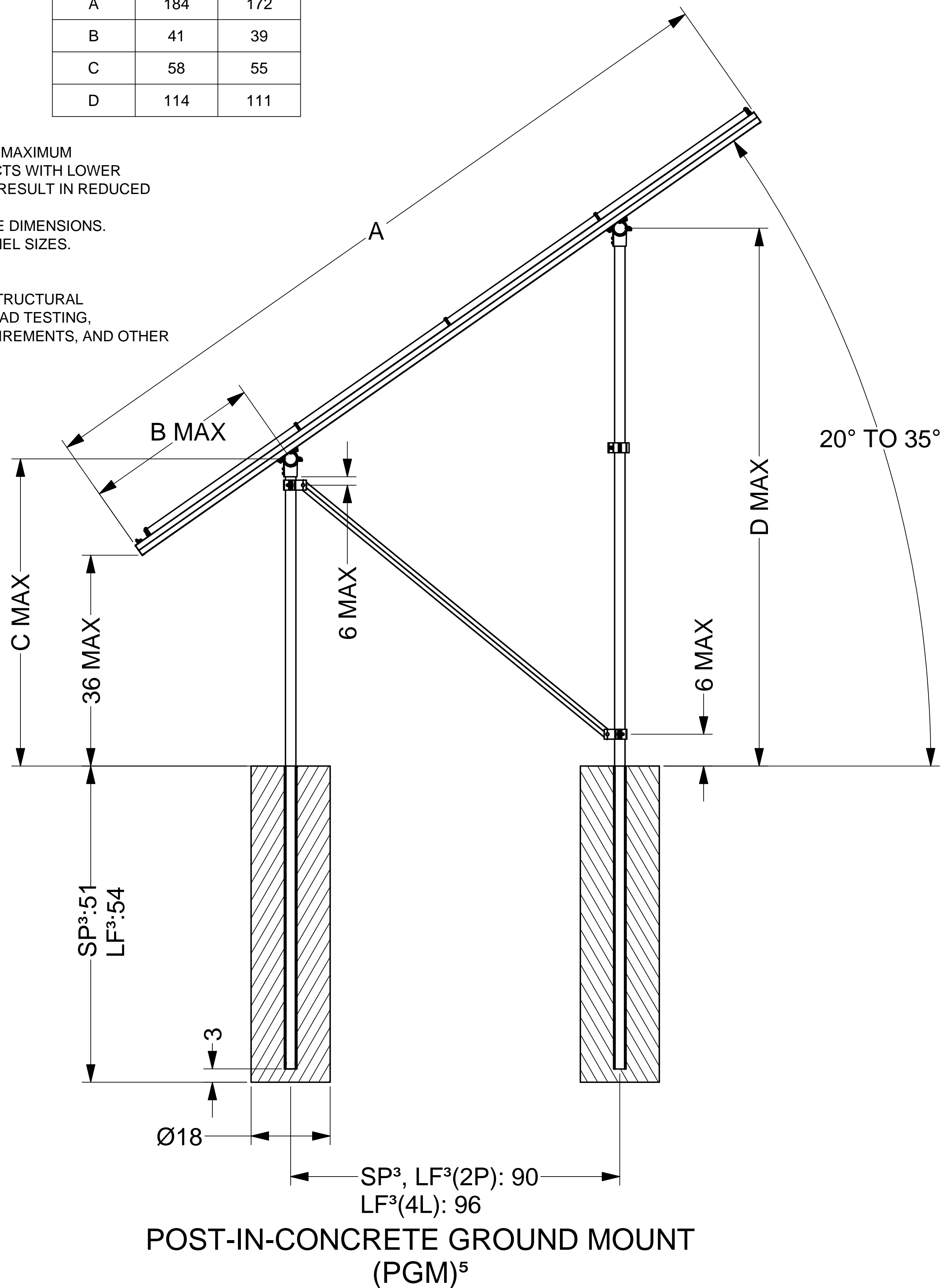
ITEM	4L	2P
A	172	166
B	39	36
C	53	51
D	113	111

DIMENSIONS - LARGE FORMAT

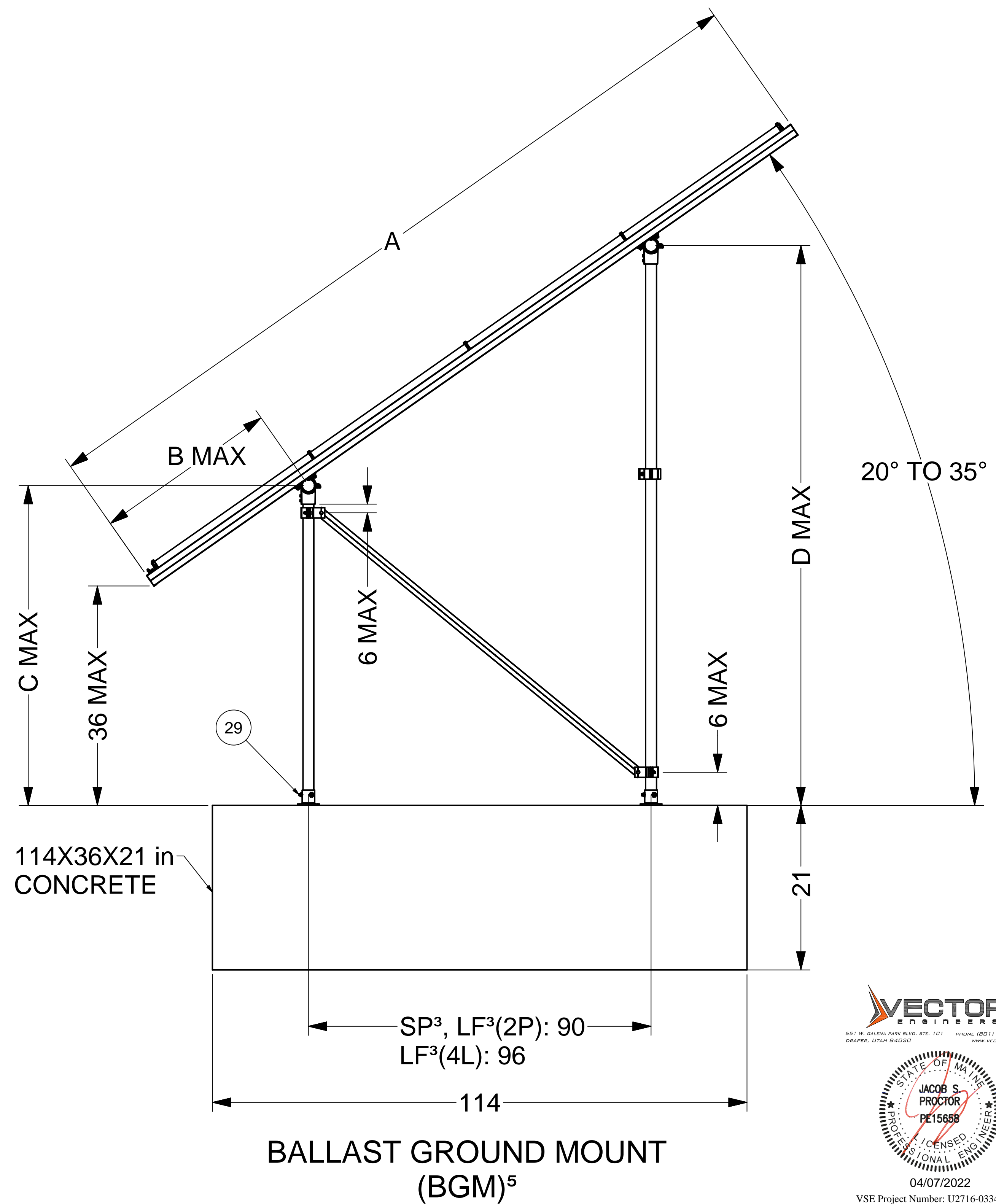
ITEM	4L	2P
A	184	172
B	41	39
C	58	55
D	114	111

NOTES

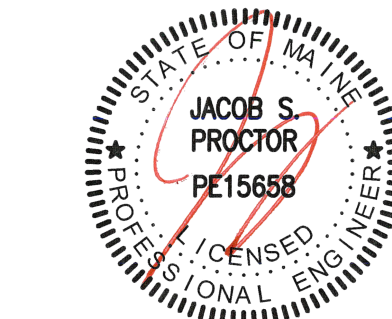
1. DIMENSIONS IN TABLE ARE SHOWN AT MAXIMUM TILT & LEADING EDGE HEIGHT. PROJECTS WITH LOWER TILTS & LEADING EDGE HEIGHTS WILL RESULT IN REDUCED DIMENSIONS.
2. MAX DENOTES MAXIMUM PERMISSIBLE DIMENSIONS.
3. SEE NOTE 7 OF COVER PAGE FOR PANEL SIZES.
4. K10268-005 (2" PIPE BASE KIT) OR K10302-001 (2" PIPE BASE KIT)
5. SEE LETTER PROVIDED BY VECTOR STRUCTURAL ENGINEERING, LLC FOR REQUIRED LOAD TESTING, FOUNDATION AND ANCHORAGE REQUIREMENTS, AND OTHER INFORMATION NOT SHOWN.



POST-IN-CONCRETE GROUND MOUNT (PGM)⁵



BALLAST GROUND MOUNT (BGM)⁵



04/07/2022
VSE Project Number: U2716-0334-221
STRUCTURAL ONLY

29		POST BASE. VARIES PER NOTE	
ITEM	PART NUMBER	DESCRIPTION	QTY
		SunModo Corp.	
TITLE		PACKET A11	
DRAWING NUMBER			
SCALE:	SHEET 5 of 5	REV	