

NOTES: UNLESS OTHERWISE SPECIFIED

- THIS DRAWING IS NOT FOR CONSTRUCTION UNTIL ENGINEERING HAS REVIEWED AND STAMPED THIS DOCUMENT.
- DIMENSIONS SHOWN ARE INCHES.
- THE SELF-BONDING SYSTEM AND SINGLE GROUND LUG IS FOR USE WITH PV MODULES THAT HAVE A MAXIMUM SERIES FUSE RATING OF 30A.
- MATERIALS ARE AS SPECIFIED OR EQUIVALENT:
HARDWARE: 304 STAINLESS STEEL
FABRICATED EXTRUDED PARTS: 6005-T5 ALUMINUM ALLOY
FABRICATED DIE CAST PARTS: ANSI/AA A380 ALUMINUM ALLOY
STEEL PIPE: SCHEDULE 40 GALVANIZED
ALUMINUM PIPE: SCHEDULE 10 ANODIZED
- THE MAXIMUM PERMISSIBLE LENGTH OF ANY STRUCTURE SHALL BE 200 FT. FOR SYSTEMS USING A SHARED RAIL CONFIGURATION, A THERMAL BREAK IS REQUIRED IN THE RAIL EVERY 40 FT. PER THE DRAWING DETAILS.
- 4LXN-3LXN-2PXN-30DEG-GSM-AGM-BGM-PGM.
- PANEL DIMENSIONS ARE AS FOLLOWS
STANDARD (SP): MAX 82"X42"
OVERSIZE (OP): MAX 85"X45"
- APPROVED RAIL PROFILES - STANDARD PANELS
A20144-XXX (HR250 RAIL), A20284-001 (END CAP), K10343-001 (U-CLAMP KIT);
A20288-XXX (HR300 RAIL), A20297-001 (END CAP), K10343-002 (U-CLAMP KIT);
A20145-XXX (HR350 RAIL), A20285-001 (END CAP), K10343-001 (U-CLAMP KIT).
- APPROVED RAIL PROFILES - OVERSIZE PANELS
* A20288-XXX (HR300 RAIL), A20297-001 (END CAP), K10343-002 (U-CLAMP KIT);
* A20145-XXX (HR350 RAIL), A20285-001 (END CAP), K10343-001 (U-CLAMP KIT).
- K10224-XXX END CLAMP KIT OR K10299-XXX ADJ. END CLAMP KIT.
- FOUNDATION TYPES:
GSM = GROUND SCREW GROUND MOUNT
AGM = HELICAL AUGER GROUND MOUNT
PGM = POST-IN-CONCRETE GROUND MOUNT
BSM = BALLAST GROUND MOUNT

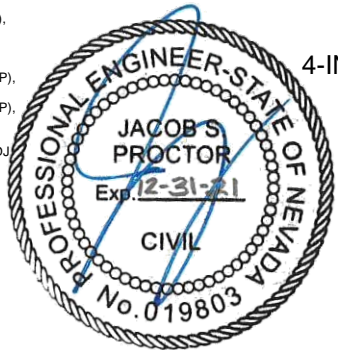
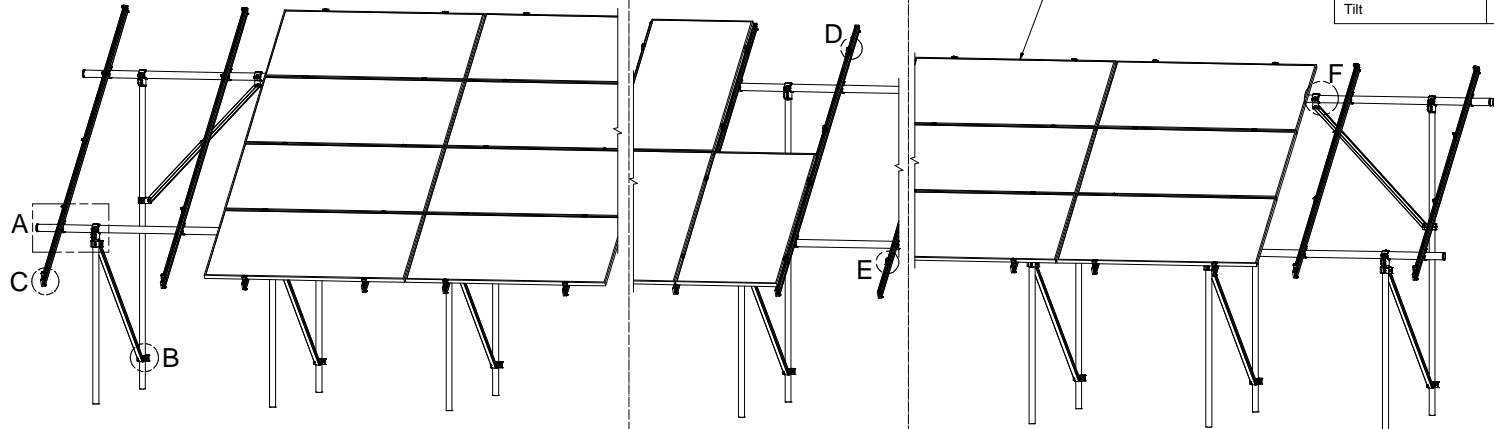


651 W. GALENA PARK BLVD. STE. 101 DRAPER, UTAH 84020
PHONE (801) 990-1775
WWW.VECTORSE.COM

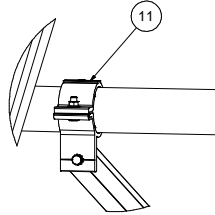
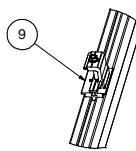
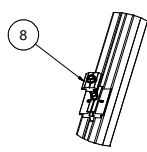
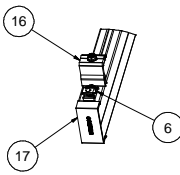
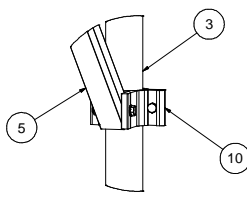
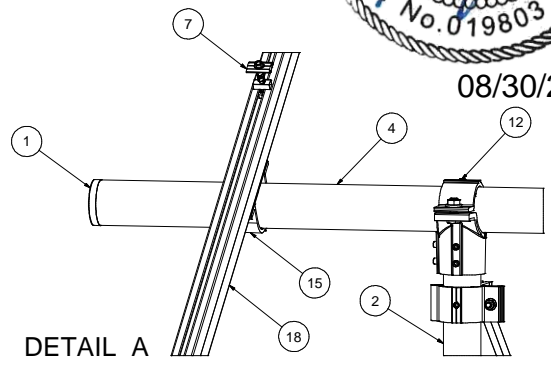
VSE Project Number: U2716-092-191
NV Firm License: 9445
STRUCTURAL ONLY

Packet B1

Model Code	ASCE 7-10
Exposure Category	C and Lower
Wind Speed	105 mph and Lower
Ground Snow Load	30 PSF and Lower
Tilt	30 DEG and Lower



08/30/2021



ITEM	PART NUMBER	DESCRIPTION	QTY
19		PANEL	
18		HELIO RAIL. VARIES PER NOTE 8 & 9	
17		HELIO RAIL END CAP. VARIES PER NOTE 8 & 9	
16		END CLAMP KIT. VARIES PER NOTE 10	
15	K10343-001	2.5" AL PIPE U-CLAMP KIT	
14	K10448-001	2.5" PIPE SPLICE KIT	
13	K10342-001	2.5" PIPE SPLICE KIT	
12	K10341-001	2.5" PIPE TEE KIT	
11	K10222-001	2.5" PIPE CLAMP KIT	
10	K10219-001	2" AL PIPE CLAMP KIT	
9	K10183-XXX	LANDSCAPE GROUNDING END CLAMP KIT	
8	K10182-001	LANDSCAPE GROUNDING MID CLAMP KIT	
7	K10180-001	GROUNDING MID-CLAMP KIT WITH T COLLAR BOLT AND GROUNDING BASE	
6	K10179-001	SELF-GROUNDING LUG KIT	
5	A50164-XXX	1.5" SQ. STL TUBE BRACE, L=XXX	
4	A21168-XXX	PIPE, HSS, 2.875" OD X 12 GAUGE, L=XXX	
3	A21165-XXX	PIPE, HSS, 2.375" OD X 12 GAUGE, L=XXX	
2	A21165-XXX	PIPE, HSS, 2.375" OD X 12 GAUGE, L=XXX	
1	A20380-001	2.5" PIPE END CAP	

SEE BOM

Third Angle Projection

PERSONAL USE ONLY (Not for Redistribution)

DATE: 08/21/2021

CHECKED BY: [Signature]

APPROVALS: [Signature]

SunModo Corp.
14800 NE 65TH STREET, VANCOUVER WA 98682

TITLE: PACKET B1

D: DRAWING NUMBER

SCALE: SHEET 1 of 4

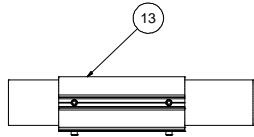
THIS DRAWING IS CONFIDENTIAL PROPERTY OF SUNMODO AND ITS CONTENTS MAY NOT BE DISCLOSED WITHOUT THE PRIOR WRITTEN CONSENT OF SUNMODO CORP.

NOTES:

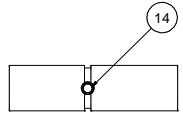
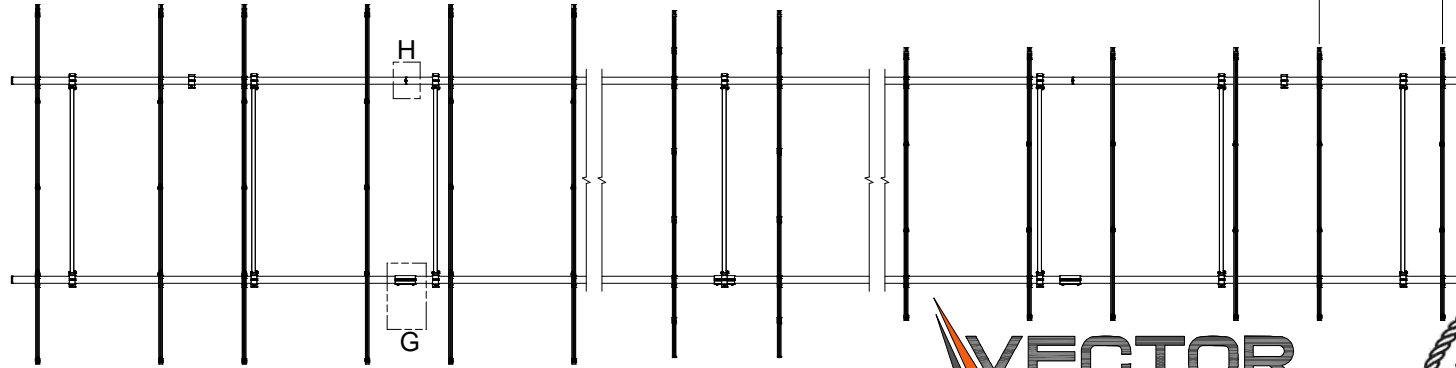
- 1. DIMENSIONS LABELED AS MAX ARE MAXIMUM ALLOWABLE AND MAY RESULT IN END POSTS BEING OUTSIDE ARRAY EDGES. MAXIMUM DIMENSIONS MAY BE REDUCED IF DESIRED.
- 2. SEE NOTE 7 OF COVER PAGE FOR PANEL SIZES.

RAIL SPACING

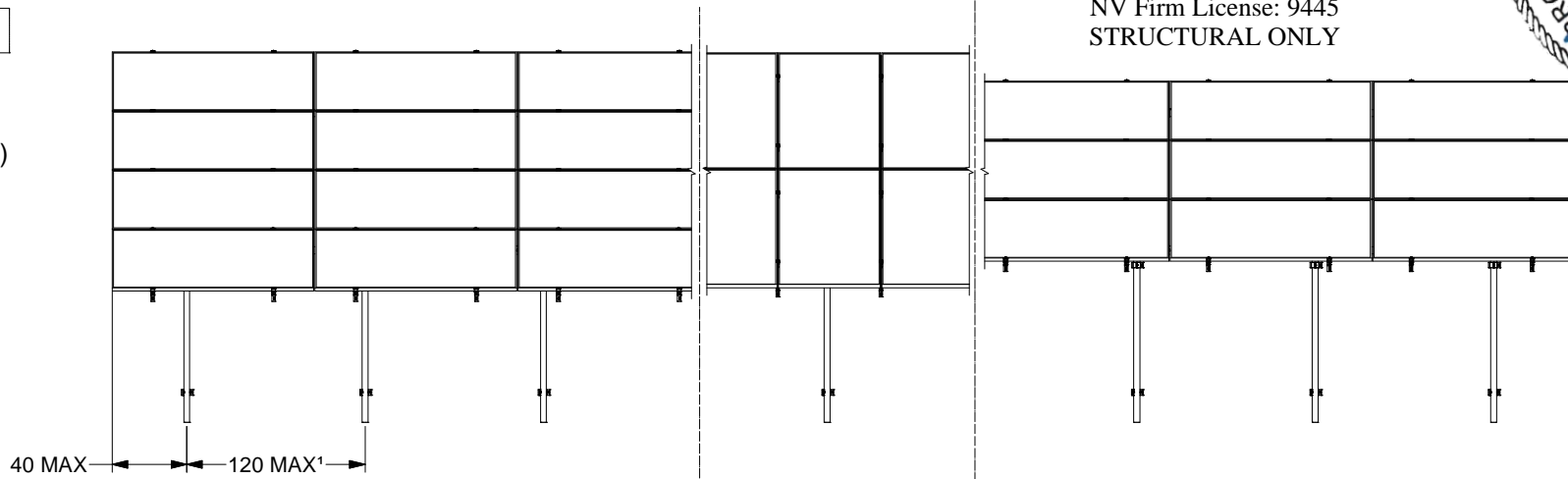
LANDSCAPE: PER PANEL MANUFACTURER
PORTRAIT: PANEL WIDTH + 0.25"



DETAIL G



DETAIL H (ALTERNATE)



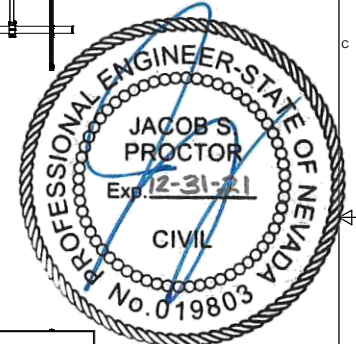
4L
4-IN-LANDSCAPE

2P
2-IN-PORTRAIT

3L
3-IN-LANDSCAPE

VECTOR ENGINEERS
651 W. GALENA PARK BLVD. STE. 101 DRAPER, UTAH 84020
PHONE (801) 990-1775 WWW.VECTORSE.COM

VSE Project Number: U2716-092-191
NV Firm License: 9445
STRUCTURAL ONLY



08/30/2021

SunModo Corp.	
TITLE	PACKET B1
D	DRAWING NUMBER
SCALE:	SHEET 2 of 4 REV

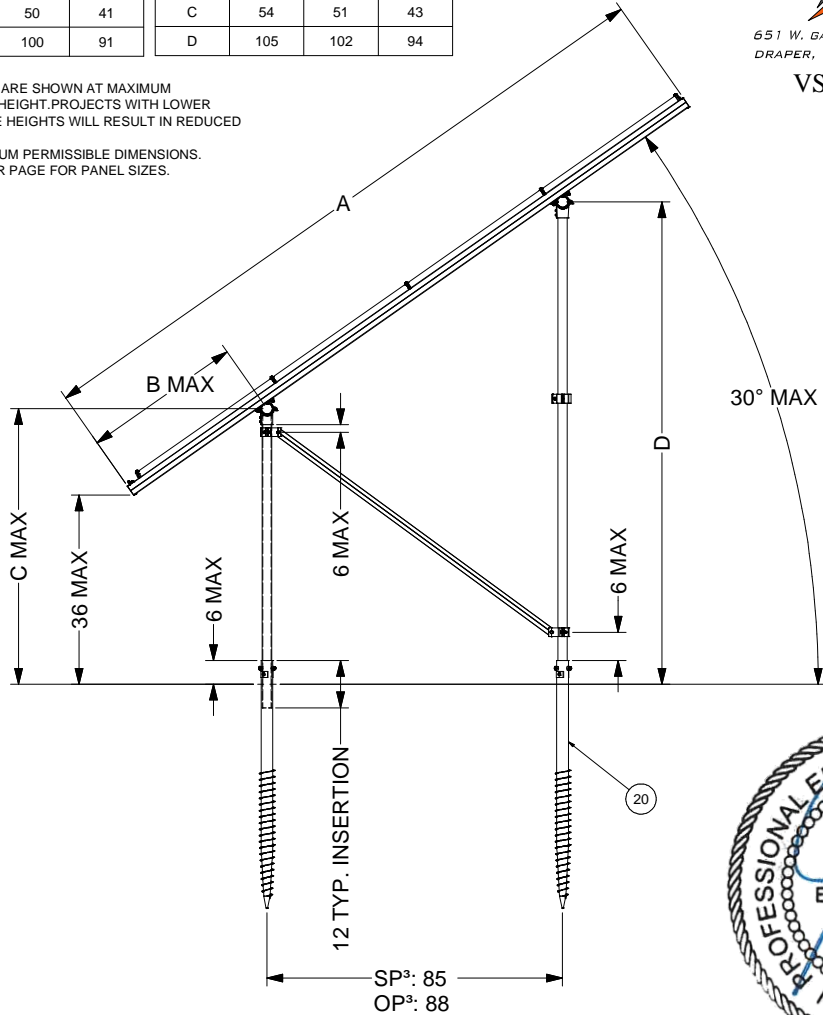


651 W. GALENA PARK BLVD. STE. 101 DRAPER, UTAH 84020
 PHONE (801) 990-1775
 WWW.VECTORSE.COM

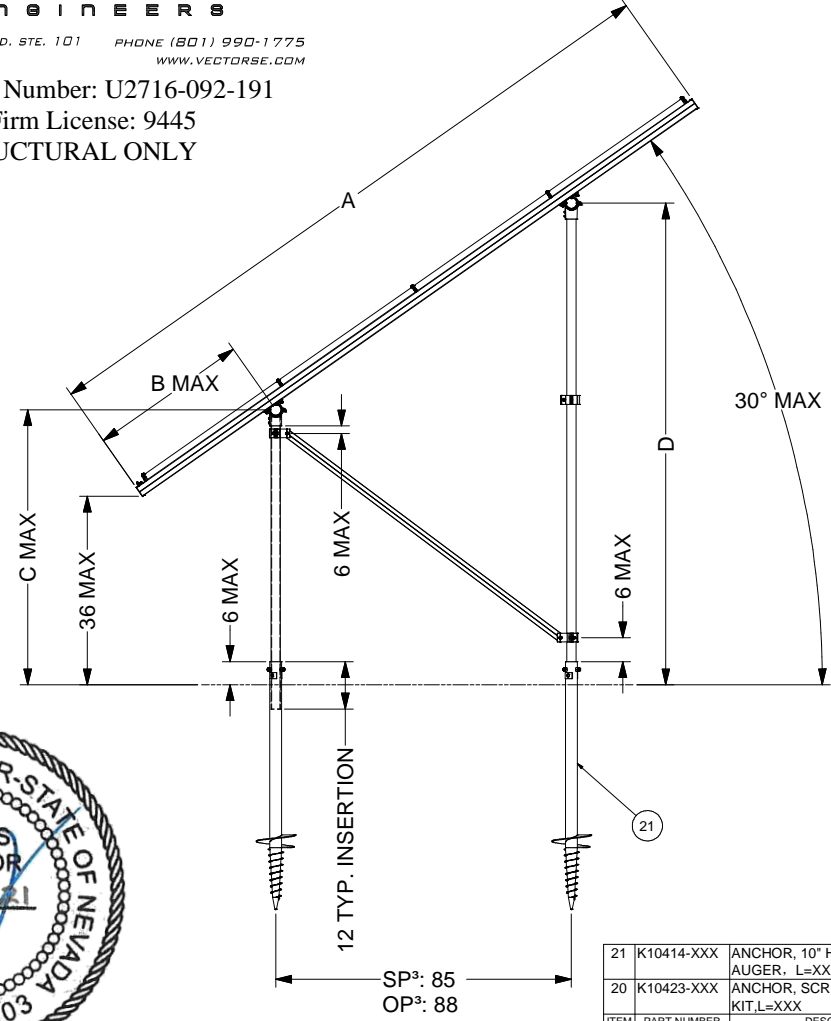
VSE Project Number: U2716-092-191
 NV Firm License: 9445
 STRUCTURAL ONLY

DIMENSIONS - STANDARD PANEL				DIMENSIONS - OVERSIZE PANEL			
ITEM	4L	2P	3L	ITEM	4L	2P	3L
A	172	166	130	A	184	172	140
B	37	34	16	B	41	35	19
C	52	50	41	C	54	51	43
D	101	100	91	D	105	102	94

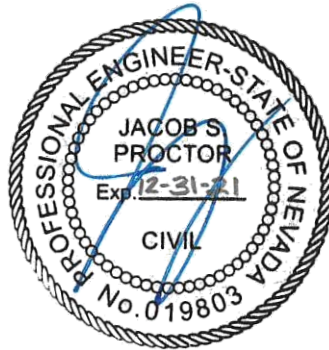
- NOTES**
1. DIMENSIONS IN TABLE ARE SHOWN AT MAXIMUM TILT & LEADING EDGE HEIGHT. PROJECTS WITH LOWER TILTS & LEADING EDGE HEIGHTS WILL RESULT IN REDUCED DIMENSIONS.
 2. MAX DENOTES MAXIMUM PERMISSIBLE DIMENSIONS.
 3. SEE NOTE 7 OF COVER PAGE FOR PANEL SIZES.



GROUND SCREW GROUND MOUNT (GSM)



AUGER GROUND MOUNT (AGM)



08/30/2021

ITEM	PART NUMBER	DESCRIPTION	QTY
21	K10414-XXX	ANCHOR, 10" HELIX SCREW AUGER, L=XXX	
20	K10423-XXX	ANCHOR, SCREW AUGER KIT, L=XXX	

SunModo Corp.

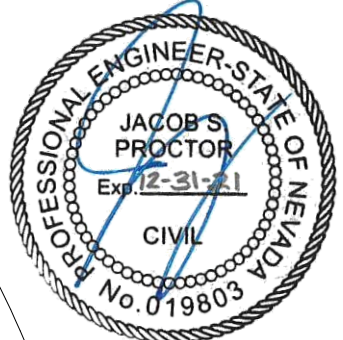
TITLE: PACKET B1

D: DRAWING NUMBER

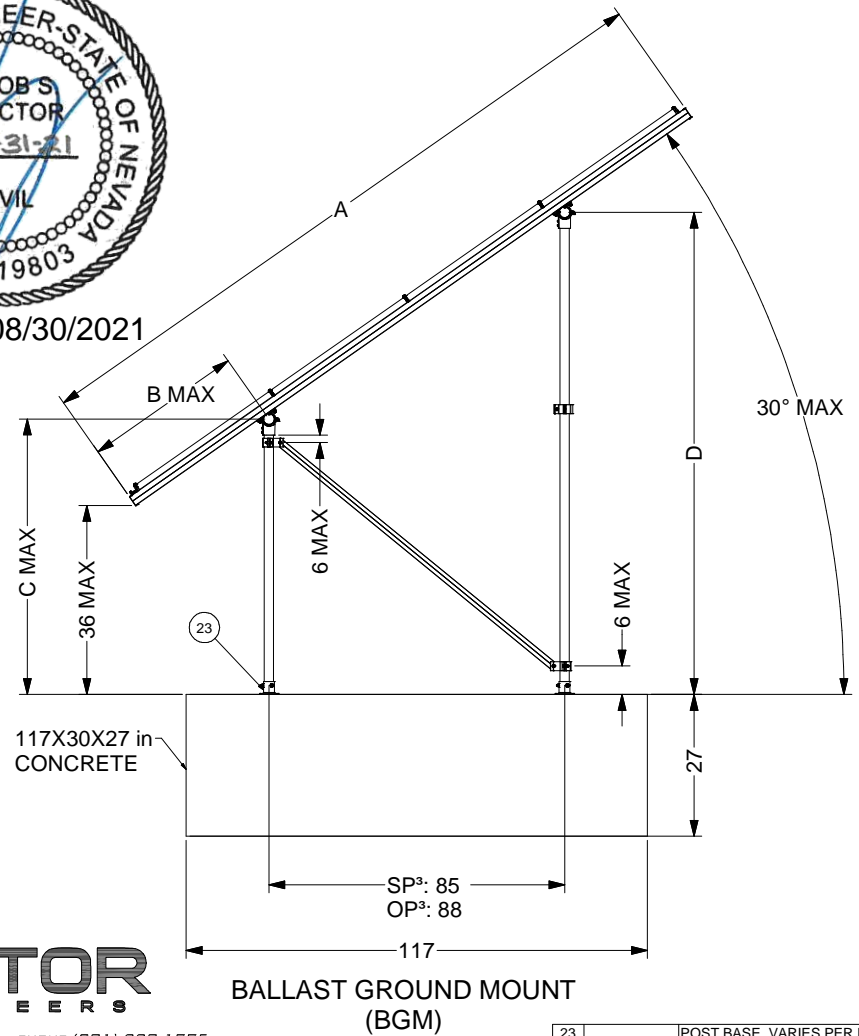
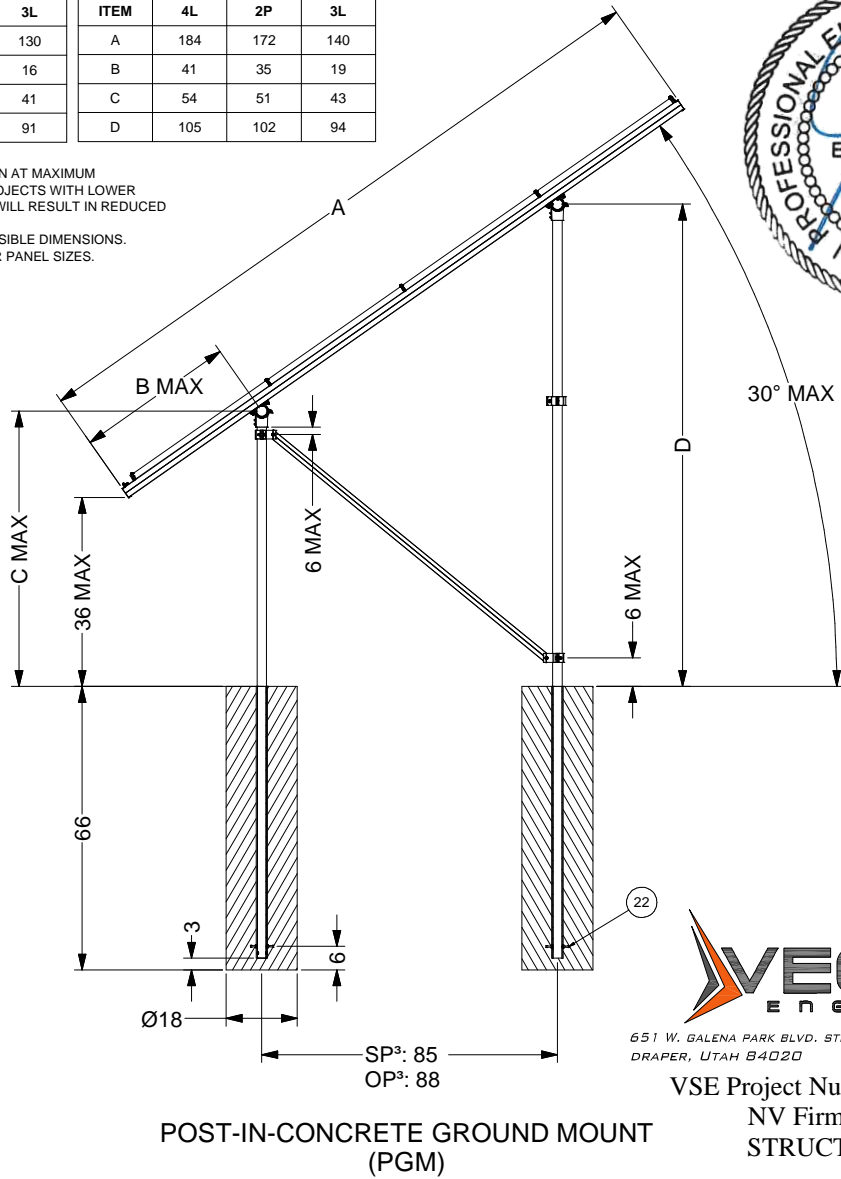
SCALE: SHEET 3 of 4 REV

DIMENSIONS - STANDARD PANEL				DIMENSIONS - OVERSIZE PANEL			
ITEM	4L	2P	3L	ITEM	4L	2P	3L
A	172	166	130	A	184	172	140
B	37	34	16	B	41	35	19
C	52	50	41	C	54	51	43
D	101	100	91	D	105	102	94

- NOTES**
1. DIMENSIONS IN TABLE ARE SHOWN AT MAXIMUM TILT & LEADING EDGE HEIGHT. PROJECTS WITH LOWER TILTS & LEADING EDGE HEIGHTS WILL RESULT IN REDUCED DIMENSIONS.
 2. MAX DENOTES MAXIMUM PERMISSIBLE DIMENSIONS.
 3. SEE NOTE 7 OF COVER PAGE FOR PANEL SIZES.
 4. K10268-005 (2" PIPE BASE KIT) OR K10302-001 (2" PIPE BASE KIT)



08/30/2021



651 W. GALENA PARK BLVD. STE. 101 DRAPER, UTAH 84020 PHONE (801) 990-1775 WWW.VECTORSE.COM

VSE Project Number: U2716-092-191
 NV Firm License: 9445
 STRUCTURAL ONLY

23		POST BASE. VARIES PER NOTE	
4			
22	K10186-001	EMBEDDED 2.0" PIPE CLAMP KIT	
ITEM	PART NUMBER	DESCRIPTION	QTY
SunModo Corp.			
TITLE: PACKET B1			
D DRAWING NUMBER			
SCALE: SHEET 4 of 4 REV			