

STRUCTURAL ONLY



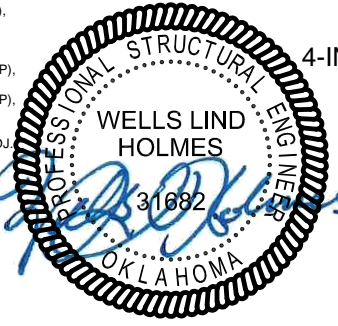
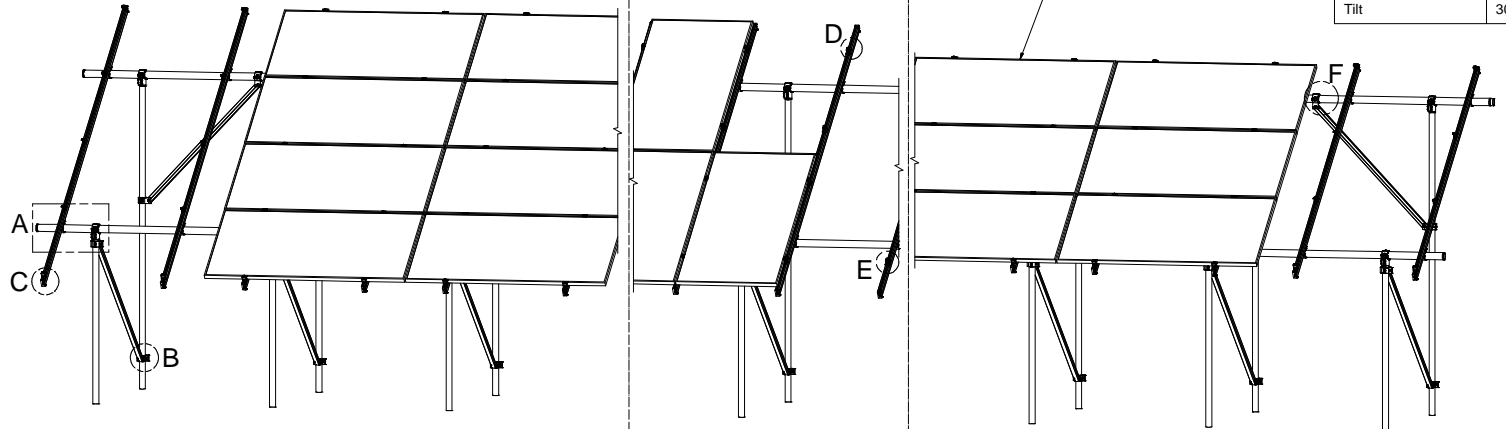
651 W. GALENA PARK BLVD. STE. 101 DRAPER, UTAH 84020  
PHONE (801) 990-1775  
WWW.VECTORSE.COM

NOTES: UNLESS OTHERWISE SPECIFIED

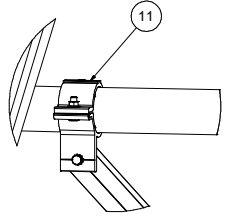
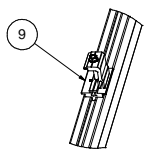
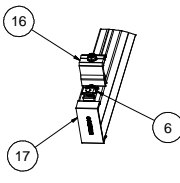
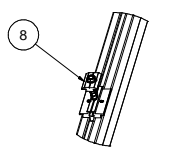
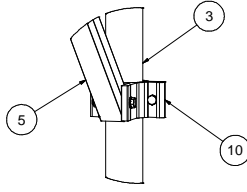
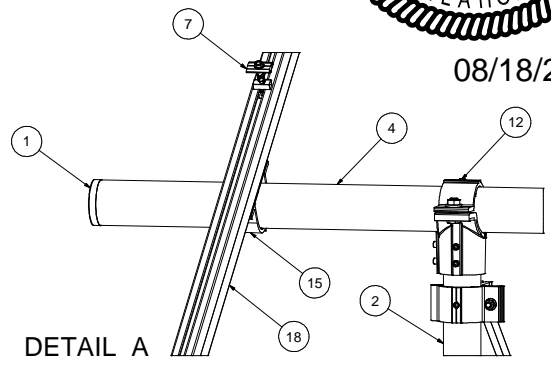
- THIS DRAWING IS NOT FOR CONSTRUCTION UNTIL ENGINEERING HAS REVIEWED AND STAMPED THIS DOCUMENT.
- DIMENSIONS SHOWN ARE INCHES.
- THE SELF-BONDING SYSTEM AND SINGLE GROUND LUG IS FOR USE WITH PV MODULES THAT HAVE A MAXIMUM SERIES FUSE RATING OF 30A.
- MATERIALS ARE AS SPECIFIED OR EQUIVALENT:  
HARDWARE: 304 STAINLESS STEEL  
FABRICATED EXTRUDED PARTS: 6005-T5 ALUMINUM ALLOY  
FABRICATED DIE CAST PARTS: ANSI/AA A380 ALUMINUM ALLOY  
STEEL PIPE: SCHEDULE 40 GALVANIZED  
ALUMINUM PIPE: SCHEDULE 10 ANODIZED
- THE MAXIMUM PERMISSIBLE LENGTH OF ANY STRUCTURE SHALL BE 200 FT. FOR SYSTEMS USING A SHARED RAIL CONFIGURATION, A THERMAL BREAK IS REQUIRED IN THE RAIL EVERY 40 FT. PER THE DRAWING DETAILS.
- 4LXN-3LXN-2PXN-30DEG-GSM-AGM-BGM-PGM.
- PANEL DIMENSIONS ARE AS FOLLOWS  
STANDARD (SP): MAX 82"X42"  
OVERSIZE (OP): MAX 85"X45"
- APPROVED RAIL PROFILES - STANDARD PANELS  
A20144-XXX (HR250 RAIL), A20284-001 (END CAP), K10343-001 (U-CLAMP KIT);  
A20288-XXX (HR300 RAIL), A20297-001 (END CAP), K10343-002 (U-CLAMP KIT);  
A20145-XXX (HR350 RAIL), A20285-001 (END CAP), K10343-001 (U-CLAMP KIT).
- APPROVED RAIL PROFILES - OVERSIZE PANELS  
\* A20288-XXX (HR300 RAIL), A20297-001 (END CAP), K10343-002 (U-CLAMP KIT);  
\* A20145-XXX (HR350 RAIL), A20285-001 (END CAP), K10343-001 (U-CLAMP KIT).
- K10224-XXX END CLAMP KIT OR K10299-XXX ADJ. END CLAMP KIT.
- FOUNDATION TYPES:  
GSM = GROUND SCREW GROUND MOUNT  
AGM = HELICAL AUGER GROUND MOUNT  
PGM = POST-IN-CONCRETE GROUND MOUNT  
BSM = BALLAST GROUND MOUNT

Packet B3

Model Code	ASCE 7-16
Exposure Category	C and Lower
Wind Speed	105 mph and Lower
Ground Snow Load	30 PSF and Lower
Tilt	30 DEG and Lower



19	PANEL		
18	HELIO RAIL. VARIES PER NOTE 8 & 9		
17	HELIO RAIL END CAP. VARIES PER NOTE 8 & 9		
16	END CLAMP KIT. VARIES PER NOTE 10		
15	K10343-001 2.5" AL PIPE U-CLAMP KIT		
14	K10448-001 2.5" PIPE SPLICE KIT		
13	K10342-001 2.5" PIPE SPLICE KIT		
12	K10341-001 2.5" PIPE TEE KIT		
11	K10222-001 2.5" PIPE CLAMP KIT		
10	K10219-001 2" AL PIPE CLAMP KIT		
9	K10183-XXX LANDSCAPE GROUNDING END CLAMP KIT		
8	K10182-001 LANDSCAPE GROUNDING MID CLAMP KIT		
7	K10180-001 GROUNDING MID-CLAMP KIT WITH T COLLAR BOLT AND GROUNDING BASE		
6	K10179-001 SELF-GROUNDING LUG KIT		
5	A50164-XXX 1.5" SQ. STL TUBE BRACE, L=XXX		
4	A21168-XXX PIPE, HSS, 2.875" OD X 12 GAUGE, L=XXX		
3	A21165-XXX PIPE, HSS, 2.375" OD X 12 GAUGE, L=XXX (REAR)		
2	A21165-XXX PIPE, HSS, 2.375" OD X 12 GAUGE, L=XXX (FRONT)		
1	A20380-001 2.5" PIPE END CAP		
ITEM	PART NUMBER	DESCRIPTION	QTY



DETAIL F

THIS DRAWING IS CONFIDENTIAL PROPERTY OF SUNMODO AND ITS CONTENTS MAY NOT BE DISCLOSED WITHOUT THE PRIOR WRITTEN CONSENT OF SUNMODO CORP.

SEE BOM  
Third Angle Projection  
PERSONAL USE ONLY (NOT FOR REPRODUCTION)  
REVISED: 08/21/2021  
DATE: 08/21/2021  
CHECKED BY: KVV

**SunModo Corp.**  
14800 NE 65TH STREET, VANCOUVER WA 98682

TITLE: PACKET B3  
DRAWING NUMBER: D

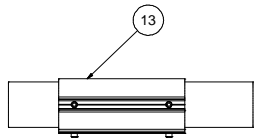
SCALE: SHEET 1 of 4

**NOTES:**

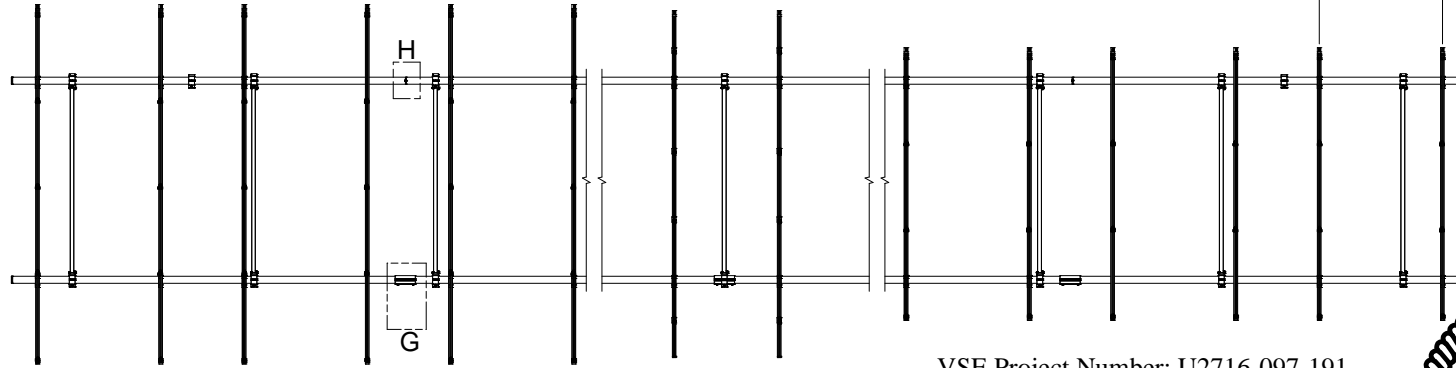
- 1. DIMENSIONS LABELED AS MAX ARE MAXIMUM ALLOWABLE AND MAY RESULT IN END POSTS BEING OUTSIDE ARRAY EDGES. MAXIMUM DIMENSIONS MAY BE REDUCED IF DESIRED.
- 2. SEE NOTE 7 OF COVER PAGE FOR PANEL SIZES.

**RAIL SPACING**

LANDSCAPE: PER PANEL MANUFACTURER  
PORTRAIT: PANEL WIDTH + 0.25"



DETAIL G

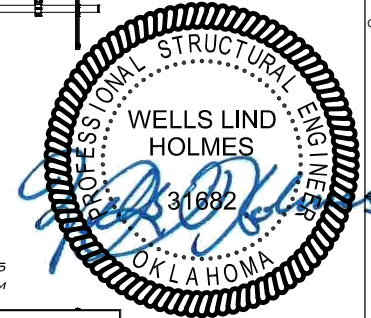


VSE Project Number: U2716-097-191

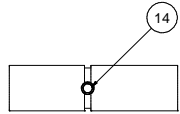
STRUCTURAL ONLY



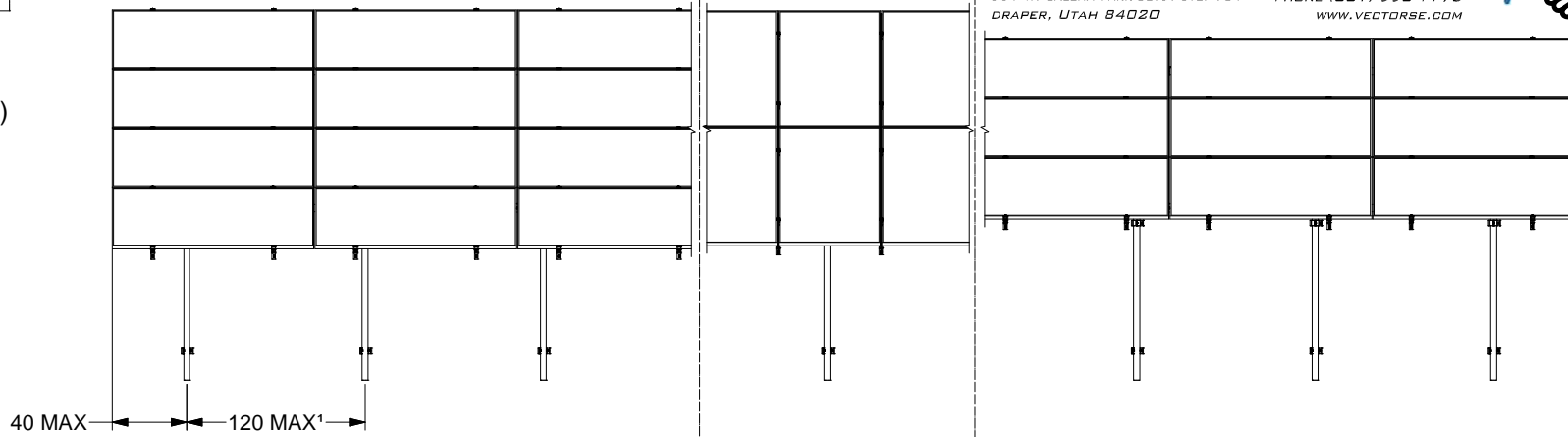
651 W. GALENA PARK BLVD. STE. 101 DRAPER, UTAH 84020 PHONE (801) 990-1775 WWW.VECTORSE.COM



08/18/2021



DETAIL H (ALTERNATE)



4L  
4-IN-LANDSCAPE

2P  
2-IN-PORTRAIT

3L  
3-IN-LANDSCAPE

<b>SunModo Corp.</b>	
TITLE	PACKET B3
D	DRAWING NUMBER
SCALE:	SHEET 2 of 4 REV

STRUCTURAL ONLY

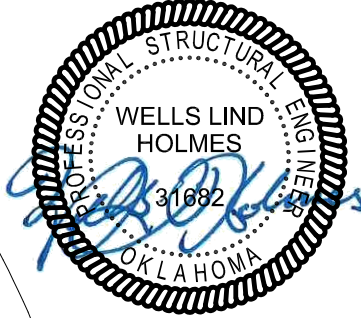


651 W. GALENA PARK BLVD. STE. 101 DRAPER, UTAH 84020 PHONE (801) 990-1775 WWW.VECTORSE.COM

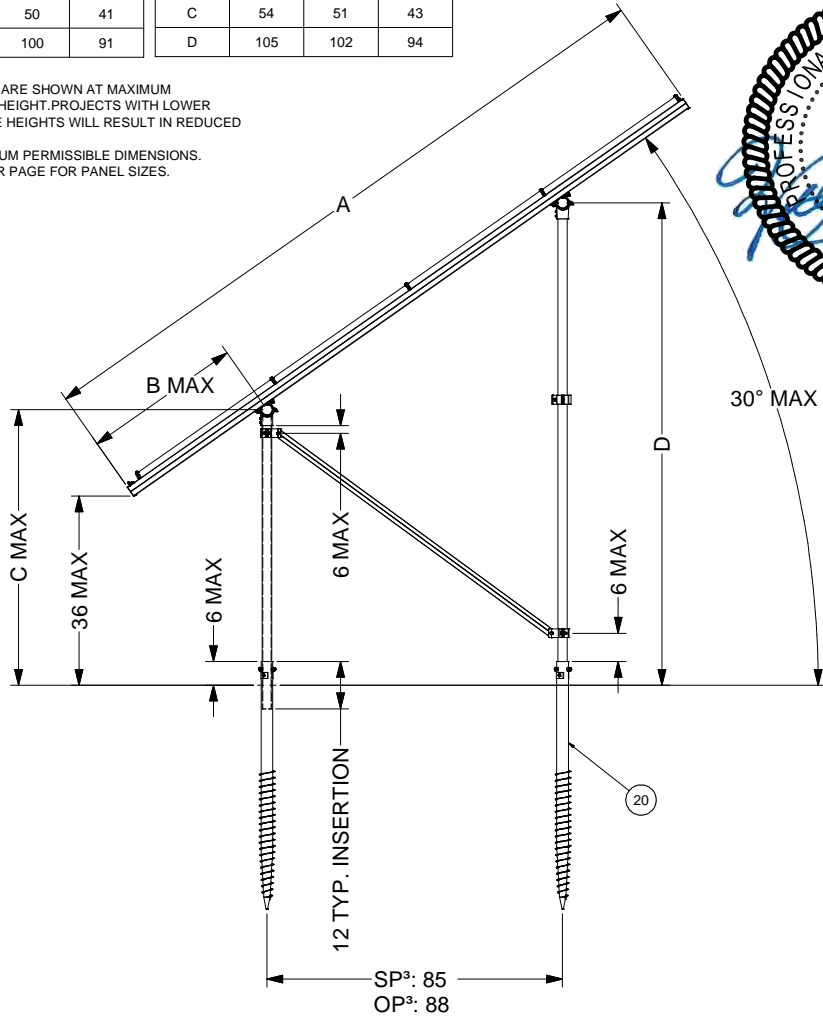
DIMENSIONS - STANDARD PANEL			
ITEM	4L	2P	3L
A	172	166	130
B	37	34	16
C	52	50	41
D	101	100	91

DIMENSIONS - OVERSIZE PANEL			
ITEM	4L	2P	3L
A	184	172	140
B	41	35	19
C	54	51	43
D	105	102	94

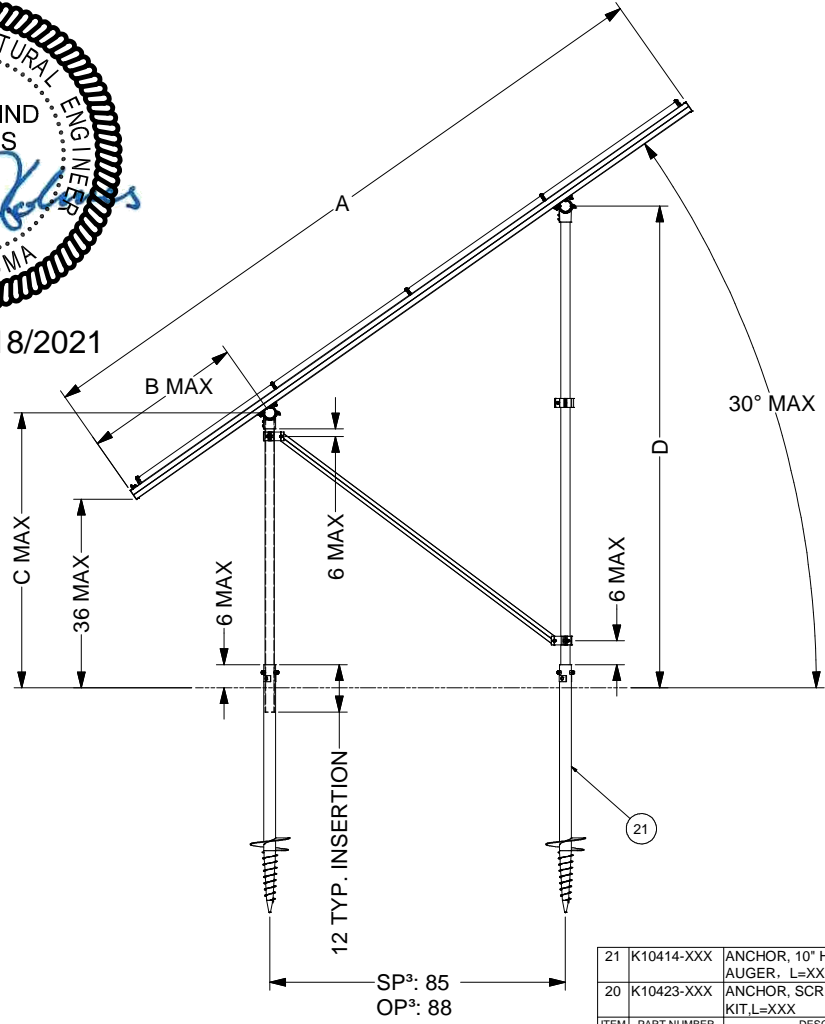
- NOTES**
1. DIMENSIONS IN TABLE ARE SHOWN AT MAXIMUM TILT & LEADING EDGE HEIGHT. PROJECTS WITH LOWER TILTS & LEADING EDGE HEIGHTS WILL RESULT IN REDUCED DIMENSIONS.
  2. MAX DENOTES MAXIMUM PERMISSIBLE DIMENSIONS.
  3. SEE NOTE 7 OF COVER PAGE FOR PANEL SIZES.



08/18/2021



**GROUND SCREW GROUND MOUNT (GSM)**



**AUGER GROUND MOUNT (AGM)**

21	K10414-XXX	ANCHOR, 10" HELIX SCREW AUGER, L=XXX	
20	K10423-XXX	ANCHOR, SCREW AUGER KIT, L=XXX	
ITEM	PART NUMBER	DESCRIPTION	QTY
<b>SunModo Corp.</b>			
TITLE: PACKET B3			
DRAWING NUMBER: D			
SCALE:		SHEET 3 of 4	REV

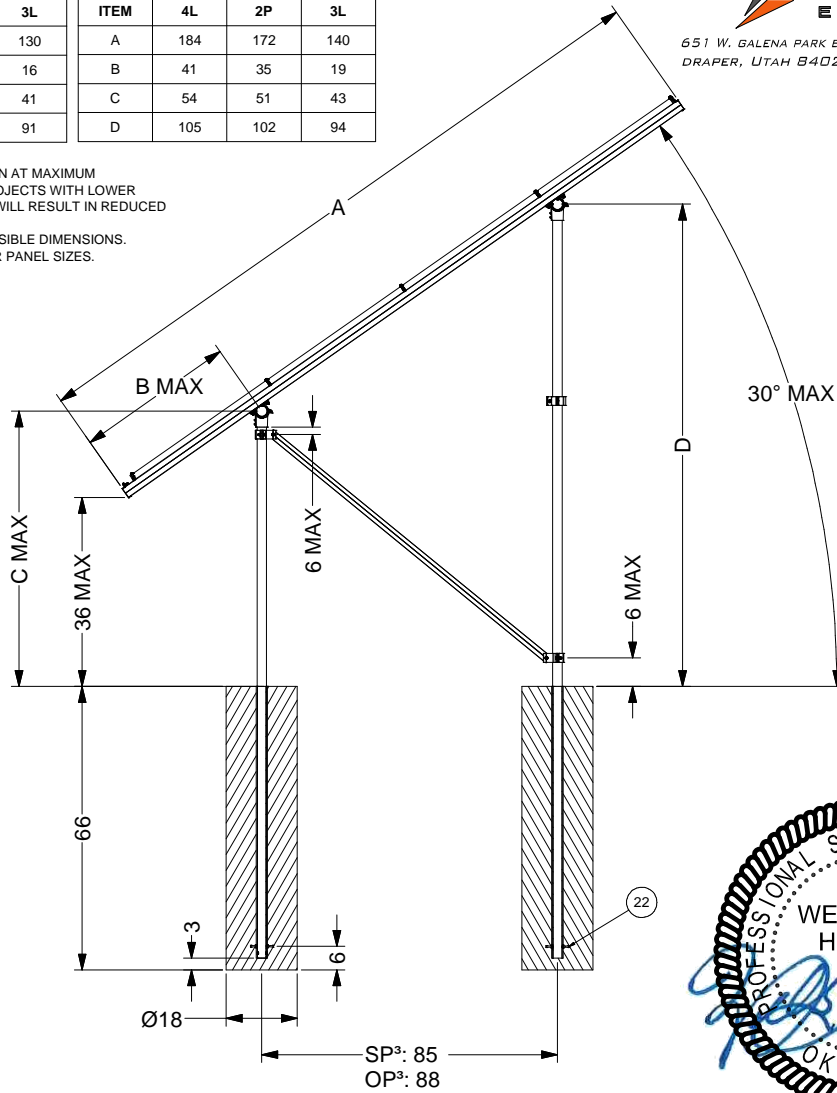
STRUCTURAL ONLY



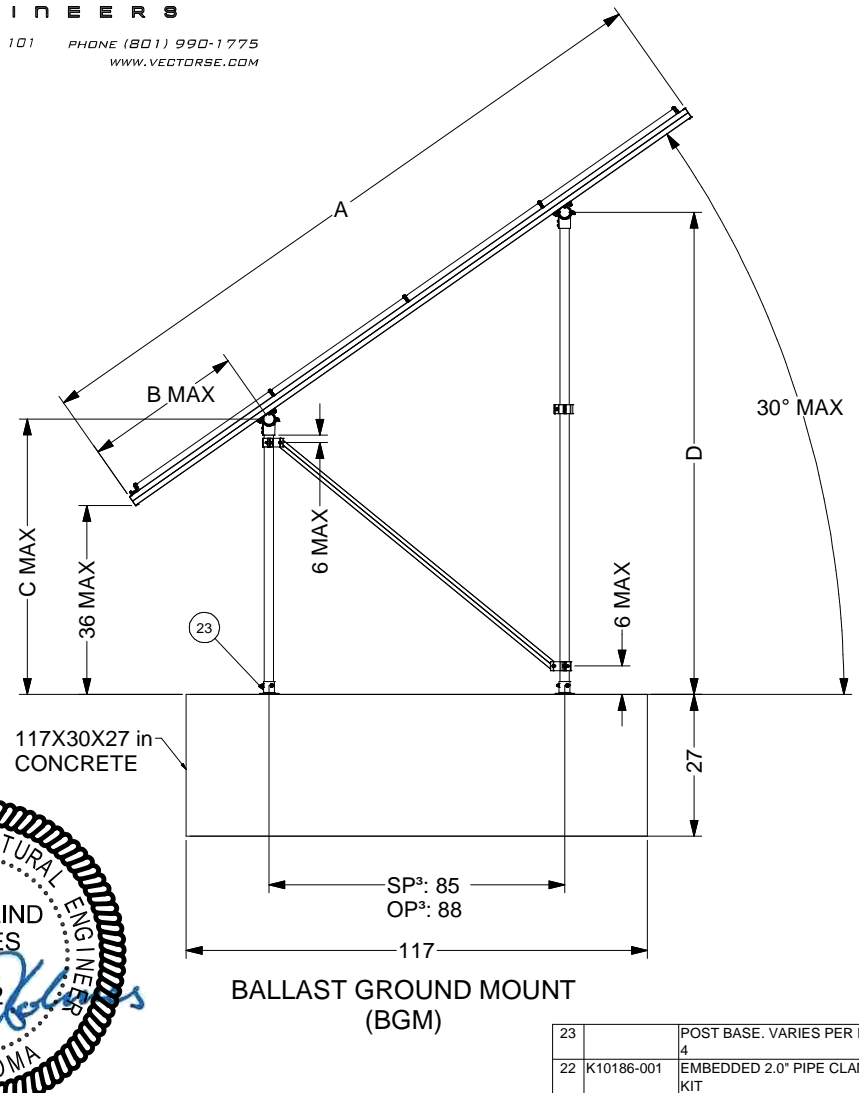
651 W. GALENA PARK BLVD. STE. 101 DRAPER, UTAH 84020 PHONE (801) 990-1775 WWW.VECTORSE.COM

DIMENSIONS - STANDARD PANEL				DIMENSIONS - OVERSIZE PANEL			
ITEM	4L	2P	3L	ITEM	4L	2P	3L
A	172	166	130	A	184	172	140
B	37	34	16	B	41	35	19
C	52	50	41	C	54	51	43
D	101	100	91	D	105	102	94

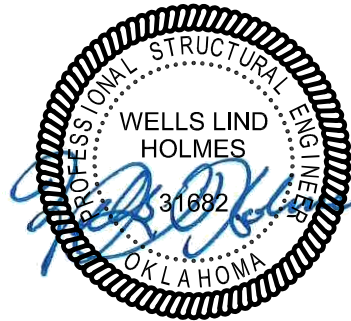
- NOTES**
1. DIMENSIONS IN TABLE ARE SHOWN AT MAXIMUM TILT & LEADING EDGE HEIGHT. PROJECTS WITH LOWER TILTS & LEADING EDGE HEIGHTS WILL RESULT IN REDUCED DIMENSIONS.
  2. MAX DENOTES MAXIMUM PERMISSIBLE DIMENSIONS.
  3. SEE NOTE 7 OF COVER PAGE FOR PANEL SIZES.
  4. K10268-005 (2" PIPE BASE KIT) OR K10302-001 (2" PIPE BASE KIT)



POST-IN-CONCRETE GROUND MOUNT (PGM)



BALLAST GROUND MOUNT (BGM)



08/18/2021

23		POST BASE. VARIES PER NOTE	
22	K10186-001	EMBEDDED 2.0" PIPE CLAMP KIT	
ITEM	PART NUMBER	DESCRIPTION	QTY
<b>SunModo Corp.</b>			
TITLE: PACKET B3			
D DRAWING NUMBER			
SCALE:		SHEET 4 of 4	REV