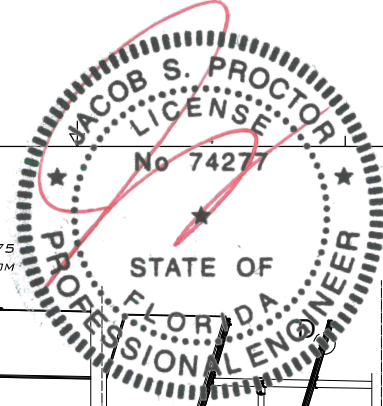




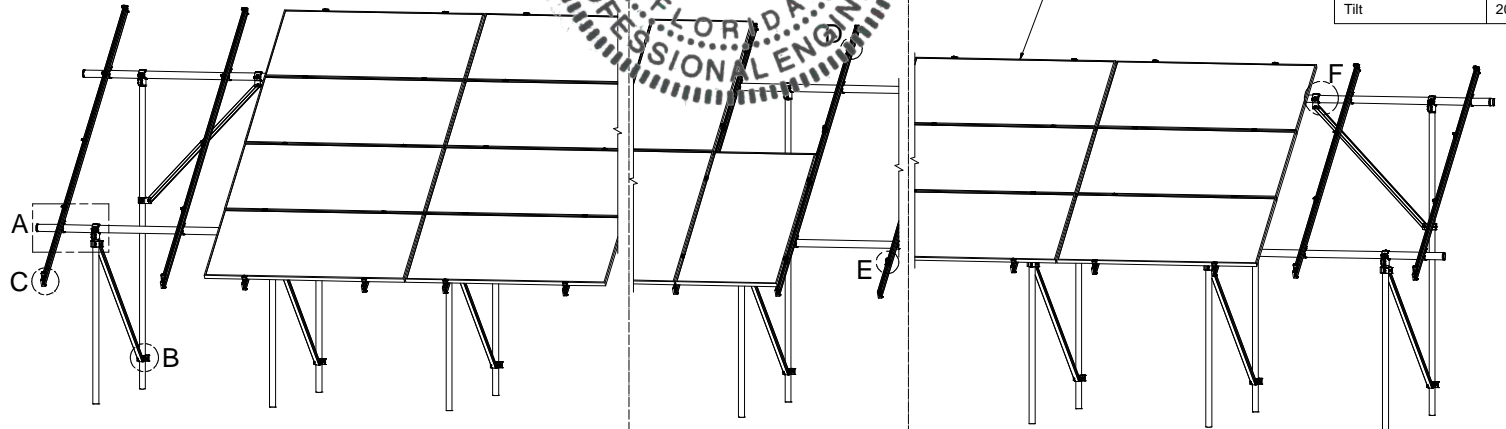
651 W. GALENA PARK BLVD. STE. 101 PHONE (801) 990-1775  
 DRAPER, UTAH 84020 WWW.VECTORSE.COM



04/22/2021

**NOTES: UNLESS OTHERWISE SPECIFIED**

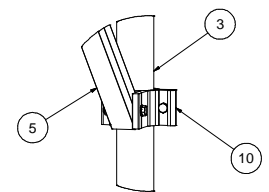
- THIS DRAWING IS NOT FOR CONSTRUCTION UNTIL ENGINEERING HAS REVIEWED AND STAMPED THIS DOCUMENT.
- DIMENSIONS SHOWN ARE INCHES.
- THE SELF-BONDING SYSTEM AND SINGLE GROUND LUG IS FOR USE WITH PV MODULES THAT HAVE A MAXIMUM SERIES FUSE RATING OF 30A.
- MATERIALS ARE AS SPECIFIED OR EQUIVALENT:  
 HARDWARE: 304 STAINLESS STEEL  
 FABRICATED EXTRUDED PARTS: 6005-T5 ALUMINUM ALLOY  
 FABRICATED DIE CAST PARTS: ANSI/AA A380 ALUMINUM ALLOY  
 STEEL PIPE: SCHEDULE 40 GALVANIZED  
 ALUMINUM PIPE: SCHEDULE 10 ANODIZED
- THE MAXIMUM PERMISSIBLE LENGTH OF ANY STRUCTURE SHALL BE 200 FT. FOR SYSTEMS USING A SHARED RAIL CONFIGURATION, A THERMAL BREAK IS REQUIRED IN THE RAIL EVERY 40 FT. PER THE DRAWING DETAILS.
- 4LXN-3LXN-2PXN-20DEG-GSM-AGM-BGM-PGM.
- PANEL DIMENSIONS ARE AS FOLLOWS  
 STANDARD (SP): MAX 82"X42"  
 OVERSIZE (OP): MAX 85"X45"
- APPROVED RAIL PROFILES - STANDARD PANELS  
 A20288-XXX (HR300 RAIL), A20297-001 (END CAP), K10343-002 (U-CLAMP KIT);  
 A20145-XXX (HR350 RAIL), A20285-001 (END CAP), K10343-001 (U-CLAMP KIT).
- APPROVED RAIL PROFILES - OVERSIZE PANELS  
 \* A20288-XXX (HR300 RAIL), A20297-001 (END CAP), K10343-002 (U-CLAMP KIT);  
 \* A20145-XXX (HR350 RAIL), A20285-001 (END CAP), K10343-001 (U-CLAMP KIT).
- K10224-XXX END CLAMP KIT OR K10299-XXX ADJ. END CLAMP KIT.
- FOUNDATION TYPES:  
 GSM = GROUND SCREW GROUND MOUNT  
 AGM = HELICAL AUGER GROUND MOUNT  
 PGM = POST-IN-CONCRETE GROUND MOUNT  
 BSM = BALLAST GROUND MOUNT



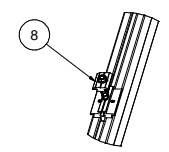
**4L**  
**4-IN-LANDSCAPE**  
**STANDARD PANEL (SP) ONLY**

**2P**  
**2-IN-PROTRAIT**

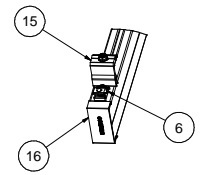
**3L**  
**3-IN-LANDSCAPE**



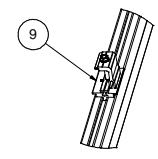
**DETAIL B**



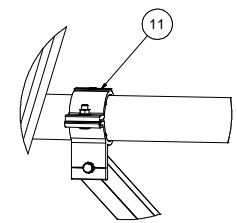
**DETAIL D**



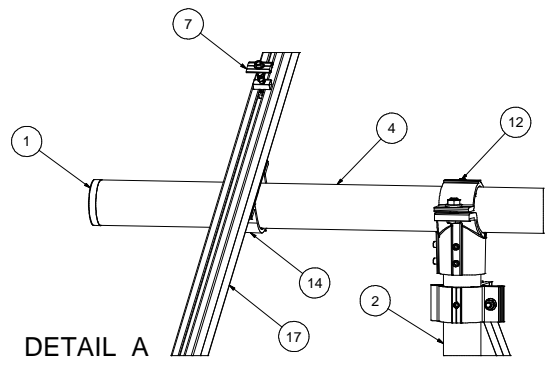
**DETAIL C**



**DETAIL E**



**DETAIL F**



**DETAIL A**

| Packet D1         |                   |
|-------------------|-------------------|
| Model Code        | ASCE 7-10         |
| Exposure Category | C and Lower       |
| Wind Speed        | 170 mph and Lower |
| Ground Snow Load  | 0 PSF and Lower   |
| Tilt              | 20 DEG and Lower  |

| 19   | K10448-001  | 2.5" PIPE SPLICE KIT  | 3   |
|------|-------------|---|-----|
| 18   |             | PANEL   |     |
| 17   |             | HELIO RAIL.VARIES PER NOTE 8 & 9                              |     |
| 16   |             | HELIO RAIL END CAP.VARIES PER NOTE 8 & 9                      |     |
| 15   |             | END CLAMP KIT. VARIES PER NOTE 10                             |     |
| 14   | K10343-001  | 2.5" AL PIPE U-CLAMP KIT                                      |     |
| 13   | K10342-001  | 2.5" PIPE SPLICE KIT  |     |
| 12   | K10341-001  | 2.5" PIPE TEE KIT   |     |
| 11   | K10222-001  | 2.5" PIPE CLAMP KIT   |     |
| 10   | K10219-001  | 2" AL PIPE CLAMP KIT  |     |
| 9    | K10183-XXX  | LANDSCAPE GROUNDING END CLAMP KIT                             |     |
| 8    | K10182-001  | LANDSCAPE GROUNDING MID CLAMP KIT                             |     |
| 7    | K10180-001  | GROUNDING MID-CLAMP KIT WITH T COLLAR BOLT AND GROUNDING BASE |     |
| 6    | K10179-001  | SELF-GROUNDING LUG KIT  |     |
| 5    | A50164-XXX  | 1.5" SQ. STL TUBE BRACE, L=XXX                                |     |
| 4    | A21168-XXX  | PIPE, HSS, 2.875" OD X 12 GAUGE, L=XXX                        |     |
| 3    | A21165-XXX  | PIPE, HSS, 2.375" OD X 12 GAUGE, L=XXX                        |     |
| 2    | A21165-XXX  | PIPE, HSS, 2.375" OD X 12 GAUGE, L=XXX                        |     |
| 1    | A20380-001  | 2.5" PIPE END CAP   |     |
| ITEM | PART NUMBER | DESCRIPTION   | QTY |

|  |
|--|
| SEE BOM                                  |
| THIRD ANGLE PROJECTION                   |
| PERSONAL USE ONLY (NOT TO BE REPRODUCED) |
| DATE: 04/21/2021                         |
| CHECKED BY: KVV                          |

|  |                |
|--|----------------|
| <b>SunModo Corp.</b>                     |                |
| 14800 NE 65TH STREET, VANCOUVER WA 98682 |                |
| TITLE                                    | PACKET D1      |
| D  | DRAWING NUMBER |

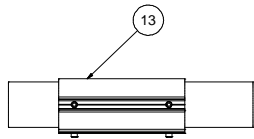
THIS DRAWING IS CONFIDENTIAL PROPERTY OF SUNMODO AND ITS CONTENTS MAY NOT BE DISCLOSED WITHOUT THE PRIOR WRITTEN CONSENT OF SUNMODO CORP.

**NOTES:**

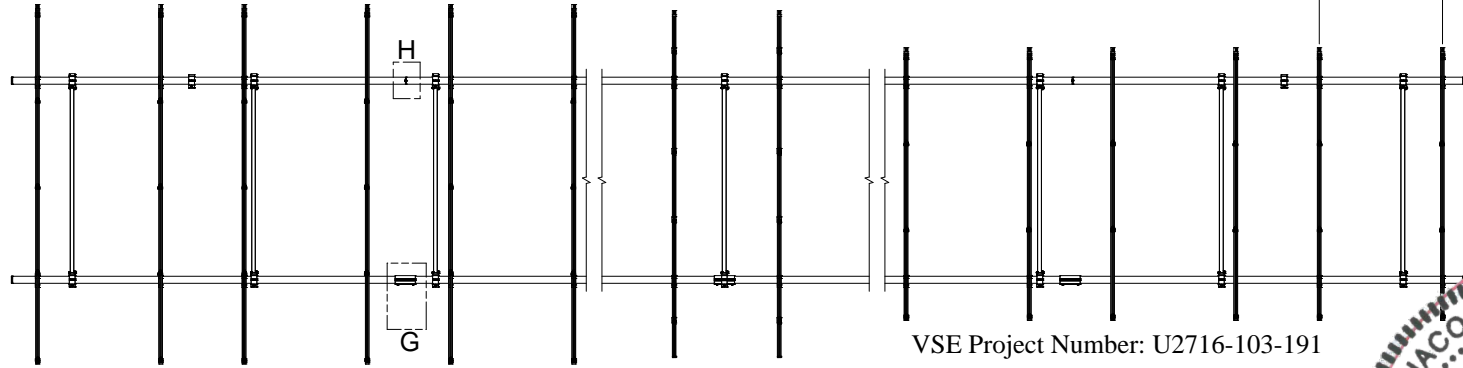
- 1. DIMENSIONS LABELED AS MAX ARE MAXIMUM ALLOWABLE AND MAY RESULT IN END POSTS BEING OUTSIDE ARRAY EDGES. MAXIMUM DIMENSIONS MAY BE REDUCED IF DESIRED.
- 2. SEE NOTE 7 OF COVER PAGE FOR PANEL SIZES.

**RAIL SPACING**

LANDSCAPE: PER PANEL MANUFACTURER  
PORTRAIT: PANEL WIDTH + 0.25"



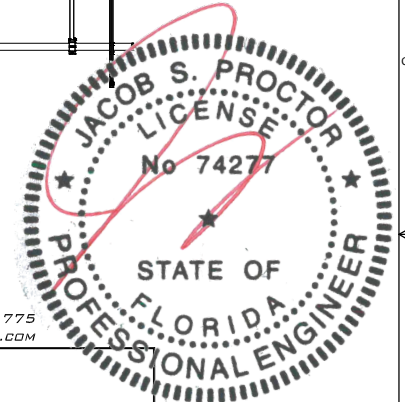
DETAIL G



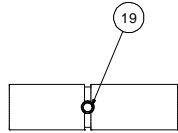
VSE Project Number: U2716-103-191  
Firm License Number: COA 26626



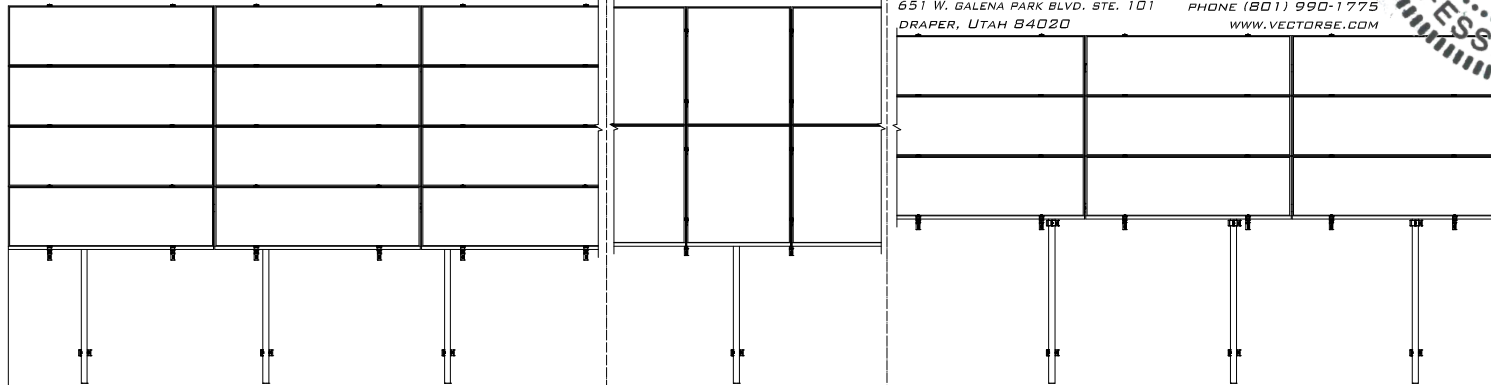
651 W. GALENA PARK BLVD. STE. 101 DRAPER, UTAH 84020  
PHONE (801) 990-1775 WWW.VECTORSE.COM



04/22/2021



DETAIL H (ALTERNATE)



20 MAX

60 MAX<sup>1</sup>

4L  
4-IN-LANDSCAPE  
STANDARD PANEL (SP) ONLY

2P  
2-IN-PROTRAIT

3L  
3-IN-LANDSCAPE

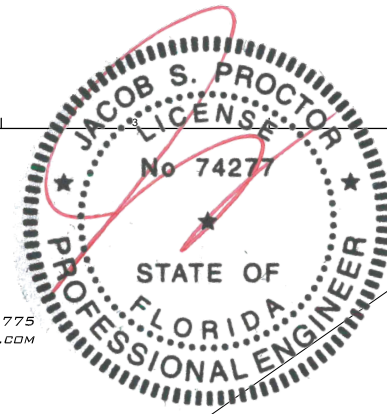
|                      |                  |
|----------------------|------------------|
| <b>SunModo Corp.</b> |                  |
| TITLE                | PACKET D1        |
| D                    | DRAWING NUMBER   |
| SCALE:               | SHEET 2 of 4 REV |

VSE Project Number: U2716-103-191

Firm License Number: COA 26626



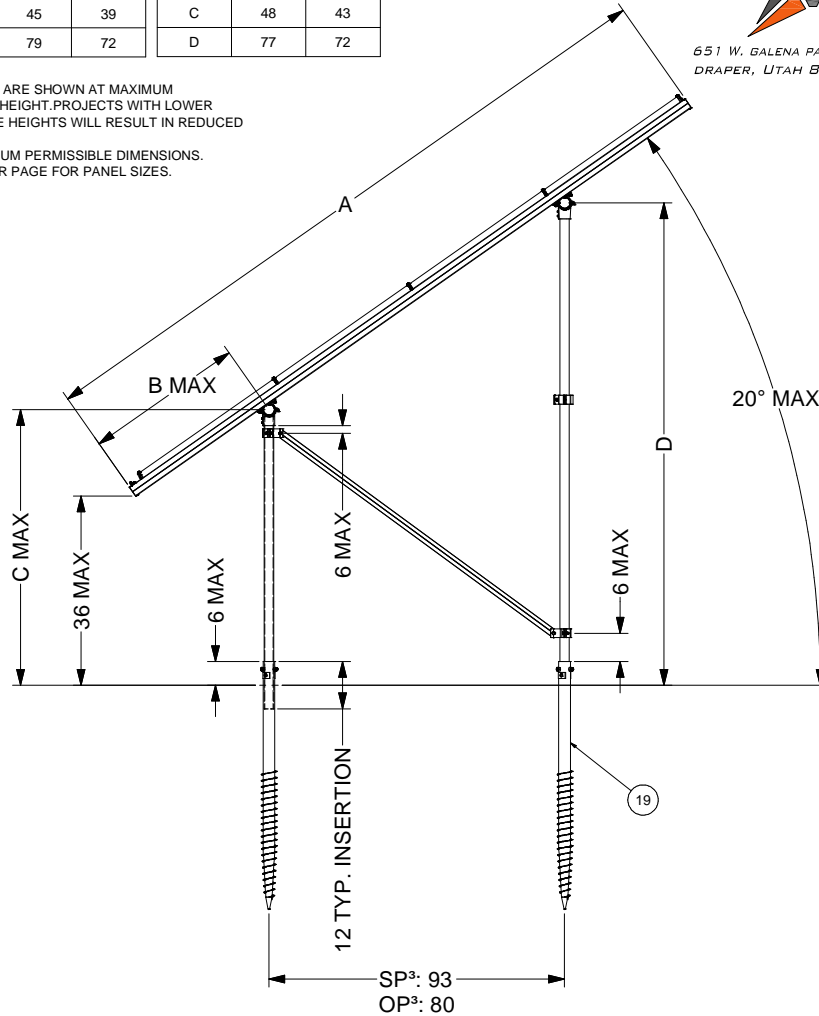
651 W. GALENA PARK BLVD. STE. 101 DRAPER, UTAH 84020 PHONE (801) 990-1775 WWW.VECTORSE.COM



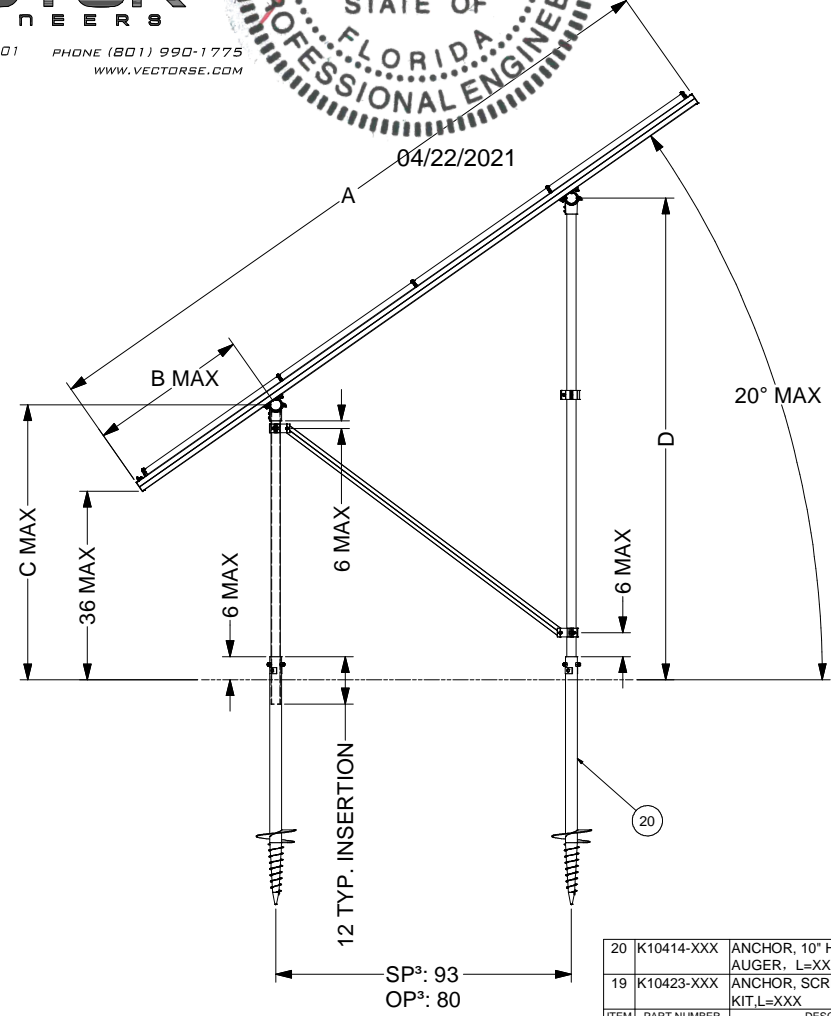
04/22/2021

| DIMENSIONS - STANDARD PANEL |     |     |     | DIMENSIONS - OVERSIZE PANE |     |     |  |
|-----------------------------|-----|-----|-----|----------------------------|-----|-----|--|
| ITEM                        | 4L  | 2P  | 3L  | ITEM                       | 2P  | 3L  |  |
| A                           | 172 | 166 | 130 | A                          | 172 | 140 |  |
| B                           | 37  | 34  | 16  | B                          | 43  | 27  |  |
| C                           | 46  | 45  | 39  | C                          | 48  | 43  |  |
| D                           | 80  | 79  | 72  | D                          | 77  | 72  |  |

- NOTES**
1. DIMENSIONS IN TABLE ARE SHOWN AT MAXIMUM TILT & LEADING EDGE HEIGHT. PROJECTS WITH LOWER TILTS & LEADING EDGE HEIGHTS WILL RESULT IN REDUCED DIMENSIONS.
  2. MAX DENOTES MAXIMUM PERMISSIBLE DIMENSIONS.
  3. SEE NOTE 7 OF COVER PAGE FOR PANEL SIZES.



**GROUND SCREW GROUND MOUNT (GSM)**



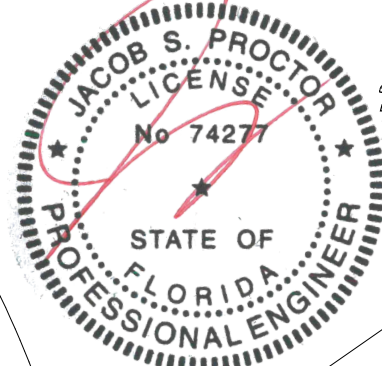
**AUGER GROUND MOUNT (AGM)**

| 20                   | K10414-XXX  | ANCHOR, 10" HELIX SCREW AUGER, L=XXX |     |
|----------------------|-------------|--------------------------------------|-----|
| 19                   | K10423-XXX  | ANCHOR, SCREW AUGER KIT, L=XXX       |     |
| ITEM                 | PART NUMBER | DESCRIPTION                          | QTY |
| <b>SunModo Corp.</b> |             |                                      |     |
| TITLE: PACKET D1     |             |                                      |     |
| DRAWING NUMBER: D    |             |                                      |     |
| SCALE:               |             | SHEET 3 of 4                         | REV |

STRUCTURAL ONLY



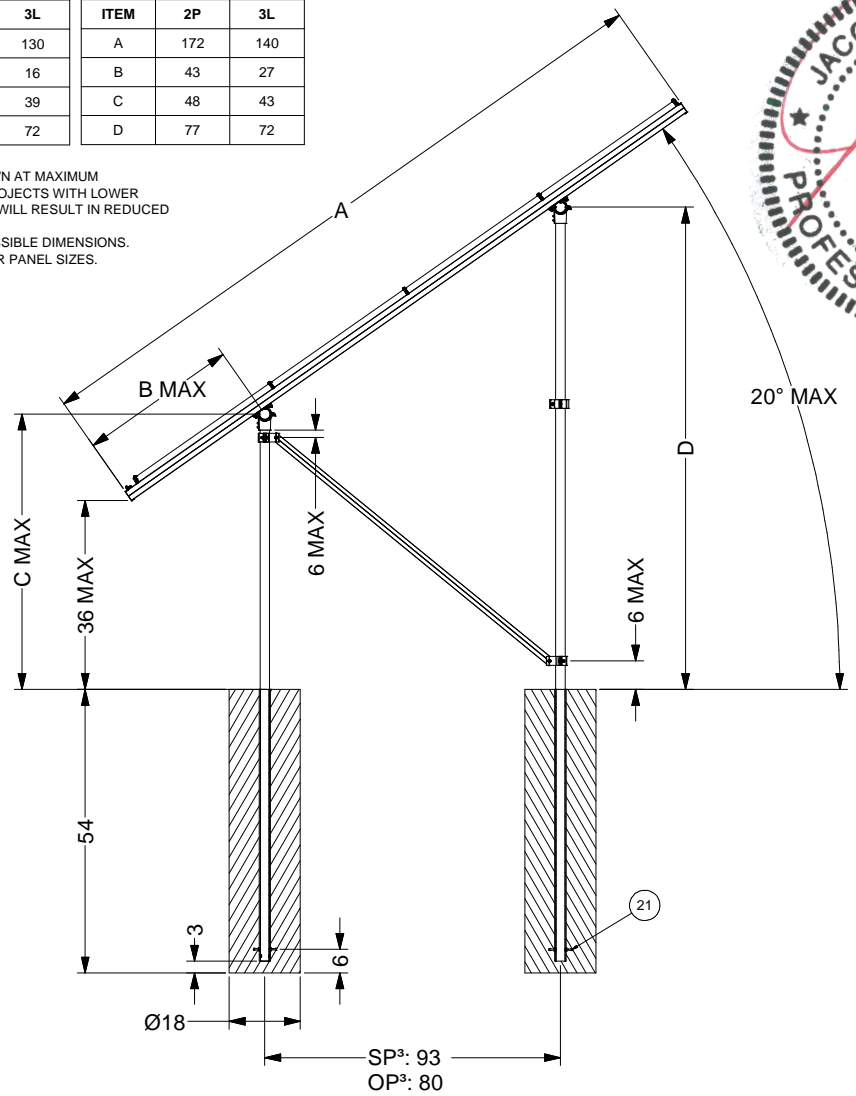
651 W. GALENA PARK BLVD. STE. 101 DRAPER, UTAH 84020  
 PHONE (801) 990-1775  
 WWW.VECTORSE.COM



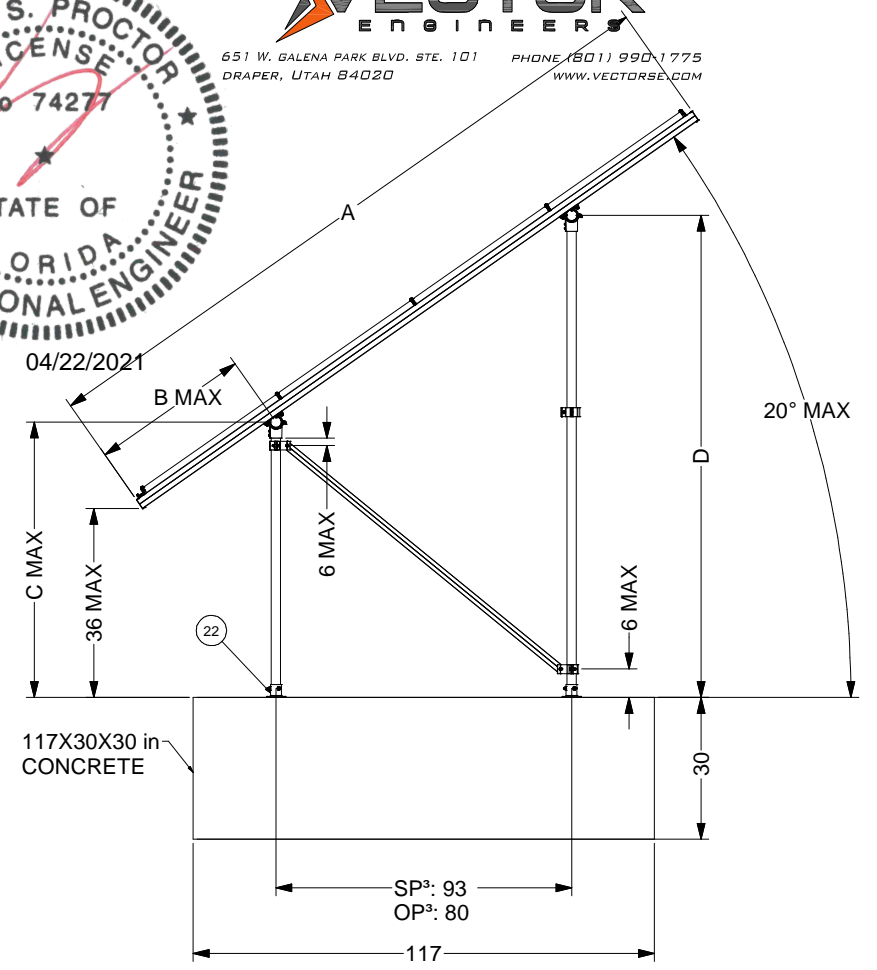
| DIMENSIONS - STANDARD PANEL |     |     |     |
|-----------------------------|-----|-----|-----|
| ITEM                        | 4L  | 2P  | 3L  |
| A                           | 172 | 166 | 130 |
| B                           | 37  | 34  | 16  |
| C                           | 46  | 45  | 39  |
| D                           | 80  | 79  | 72  |

| DIMENSIONS - OVERSIZE PANE |     |     |  |
|----------------------------|-----|-----|--|
| ITEM                       | 2P  | 3L  |  |
| A                          | 172 | 140 |  |
| B                          | 43  | 27  |  |
| C                          | 48  | 43  |  |
| D                          | 77  | 72  |  |

- NOTES**
1. DIMENSIONS IN TABLE ARE SHOWN AT MAXIMUM TILT & LEADING EDGE HEIGHT. PROJECTS WITH LOWER TILTS & LEADING EDGE HEIGHTS WILL RESULT IN REDUCED DIMENSIONS.
  2. MAX DENOTES MAXIMUM PERMISSIBLE DIMENSIONS.
  3. SEE NOTE 7 OF COVER PAGE FOR PANEL SIZES.
  4. K10268-005 (2" PIPE BASE KIT) OR K10302-001 (2" PIPE BASE KIT)



POST-IN-CONCRETE GROUND MOUNT (PGM)



BALLAST GROUND MOUNT (BGM)

| 22                   |             | POST BASE. VARIES PER NOTE   |     |
|----------------------|-------------|------------------------------|-----|
| 21                   | K10186-001  | EMBEDDED 2.0" PIPE CLAMP KIT |     |
| ITEM                 | PART NUMBER | DESCRIPTION                  | QTY |
| <b>SunModo Corp.</b> |             |                              |     |
| TITLE: PACKET D1     |             |                              |     |
| DRAWING NUMBER: D    |             |                              |     |
| SCALE:               |             | SHEET 4 of 4                 | REV |