

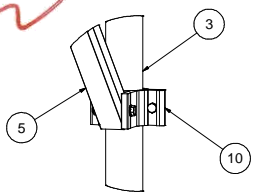
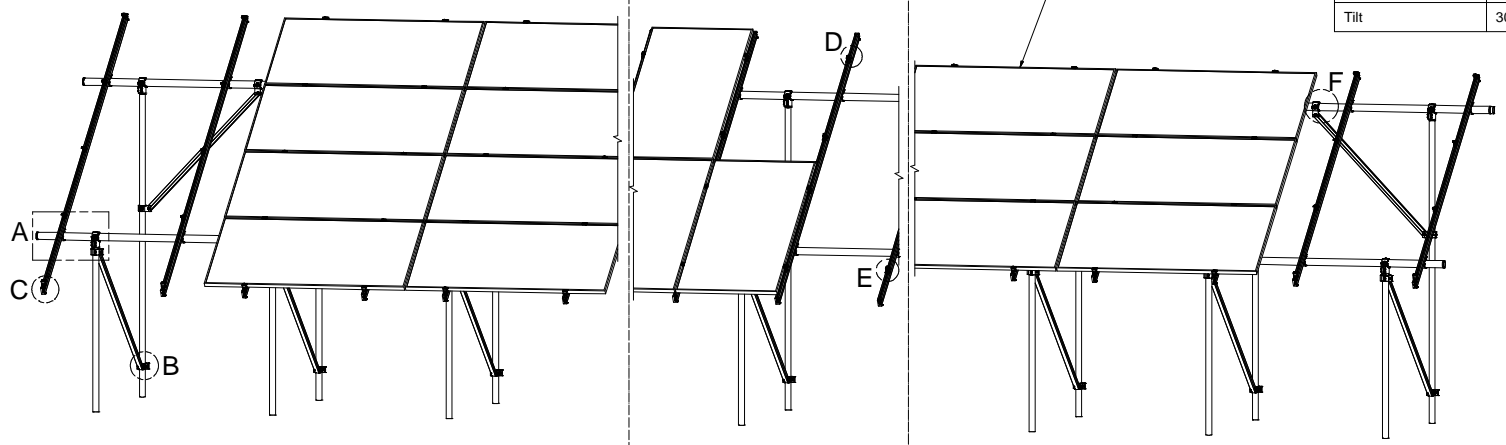
STRUCTURAL ONLY



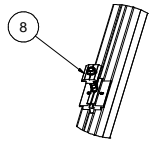
651 W. GALENA PARK BLVD. STE. 101 DRAPER, UTAH 84020 PHONE (801) 990-1775 WWW.VECTORSE.COM

NOTES: UNLESS OTHERWISE SPECIFIED

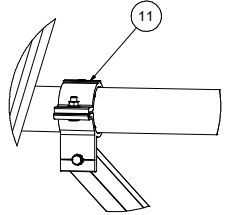
- THIS DRAWING IS NOT FOR CONSTRUCTION UNTIL ENGINEERING HAS REVIEWED AND STAMPED THIS DOCUMENT.
- DIMENSIONS SHOWN ARE INCHES.
- THE SELF-BONDING SYSTEM AND SINGLE GROUND LUG IS FOR USE WITH PV MODULES THAT HAVE A MAXIMUM SERIES FUSE RATING OF 30A.
- MATERIALS ARE AS SPECIFIED OR EQUIVALENT:  
HARDWARE: 304 STAINLESS STEEL  
FABRICATED EXTRUDED PARTS: 6005-T5 ALUMINUM ALLOY  
FABRICATED DIE CAST PARTS: ANSI/AA A380 ALUMINUM ALLOY  
STEEL PIPE: SCHEDULE 40 GALVANIZED  
ALUMINUM PIPE: SCHEDULE 10 ANODIZED
- THE MAXIMUM PERMISSIBLE LENGTH OF ANY STRUCTURE SHALL BE 200 FT. FOR SYSTEMS USING A SHARED RAIL CONFIGURATION, A THERMAL BREAK IS REQUIRED IN THE RAIL EVERY 40 FT. PER THE DRAWING DETAILS.
- 4LXN-3LXN-2PXN-30DEG-GSM-AGM-BGM-PGM.
- PANEL DIMENSIONS ARE AS FOLLOWS  
STANDARD (SP): MAX 82"X42"  
OVERSIZE (OP): MAX 85"X45"
- APPROVED RAIL PROFILES - STANDARD PANELS  
A20144-XXX (HR250 RAIL), A20284-001 (END CAP), K10343-001 (U-CLAMP KIT);  
A20288-XXX (HR300 RAIL), A20297-001 (END CAP), K10343-002 (U-CLAMP KIT);  
A20145-XXX (HR350 RAIL), A20285-001 (END CAP), K10343-001 (U-CLAMP KIT).
- APPROVED RAIL PROFILES - OVERSIZE PANELS  
\* A20288-XXX (HR300 RAIL), A20297-001 (END CAP), K10343-002 (U-CLAMP KIT);  
\* A20145-XXX (HR350 RAIL), A20285-001 (END CAP), K10343-001 (U-CLAMP KIT).
- K10224-XXX END CLAMP KIT OR K10299-XXX ADJ. END CLAMP KIT.
- FOUNDATION TYPES:  
GSM = GROUND SCREW GROUND MOUNT  
AGM = HELICAL AUGER GROUND MOUNT  
PGM = POST-IN-CONCRETE GROUND MOUNT  
BSM = BALLAST GROUND MOUNT



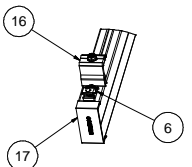
DETAIL B



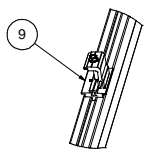
DETAIL D



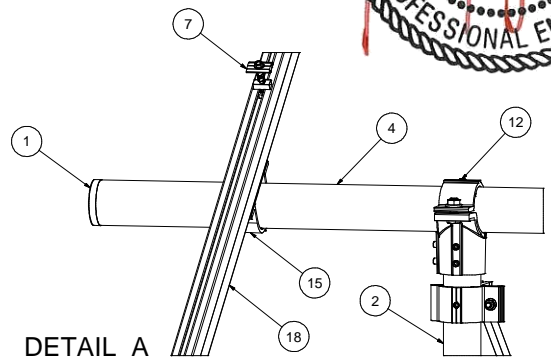
DETAIL F



DETAIL C



DETAIL E



DETAIL A

| Packet B3         |                   |
|-------------------|-------------------|
| Model Code        | ASCE 7-16         |
| Exposure Category | C and Lower       |
| Wind Speed        | 105 mph and Lower |
| Ground Snow Load  | 30 PSF and Lower  |
| Tilt              | 30 DEG and Lower  |

| ITEM | PART NUMBER | DESCRIPTION   | QTY |
|------|-------------|---|-----|
| 19   |             | PANEL   |     |
| 18   |             | HELIO-RAIL-VARIES PER NOTE 8 & 9                              |     |
| 17   |             | HELIO-RAIL END CAP-VARIES PER NOTE 8 & 9                      |     |
| 16   |             | END CLAMP KIT. VARIES PER NOTE 10                             |     |
| 15   | K10343-001  | 2.5" AL PIPE U-CLAMP KIT                                      |     |
| 14   | K10448-001  | 2.5" PIPE SPLICE KIT  |     |
| 13   | K10342-001  | 2.5" PIPE SPLICE KIT  |     |
| 12   | K10341-001  | 2.5" PIPE TEE KIT   |     |
| 11   | K10222-001  | 2.5" PIPE CLAMP KIT   |     |
| 10   | K10219-001  | 2" AL PIPE CLAMP KIT  |     |
| 9    | K10183-XXX  | LANDSCAPE GROUNDING END CLAMP KIT                             |     |
| 8    | K10182-001  | LANDSCAPE GROUNDING MID CLAMP KIT                             |     |
| 7    | K10180-001  | GROUNDING MID-CLAMP KIT WITH T COLLAR BOLT AND GROUNDING BASE |     |
| 6    | K10179-001  | SELF-GROUNDING LUG KIT  |     |
| 5    | A50164-XXX  | 1.5" SQ. STL TUBE BRACE, L=XXX                                |     |
| 4    | A21168-XXX  | PIPE, HSS, 2.875" OD X 12 GAUGE, L=XXX                        |     |
| 3    | A21165-XXX  | PIPE, HSS, 2.375" OD X 12 GAUGE, L=XXX                        |     |
| 2    | A21165-XXX  | PIPE, HSS, 2.375" OD X 12 GAUGE, L=XXX                        |     |
| 1    | A20380-001  | 2.5" PIPE END CAP   |     |

SEE BOM

Third Angle Projection

PERSONAL USE ONLY (Not for Redistribution)

DATE: 04/21/2021

CHECKED BY: K.V.V.

APPROVALS:

**SunModo Corp.**  
14800 NE 65TH STREET, VANCOUVER WA 98662

TITLE: PACKET B3

D: DRAWING NUMBER

SCALE: SHEET 1 of 4

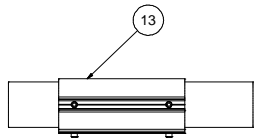
THIS DRAWING IS CONFIDENTIAL PROPERTY OF SUNMODO AND ITS CONTENTS MAY NOT BE DISCLOSED WITHOUT THE PRIOR WRITTEN CONSENT OF SUNMODO CORP.

**NOTES:**

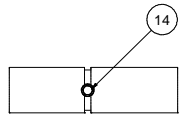
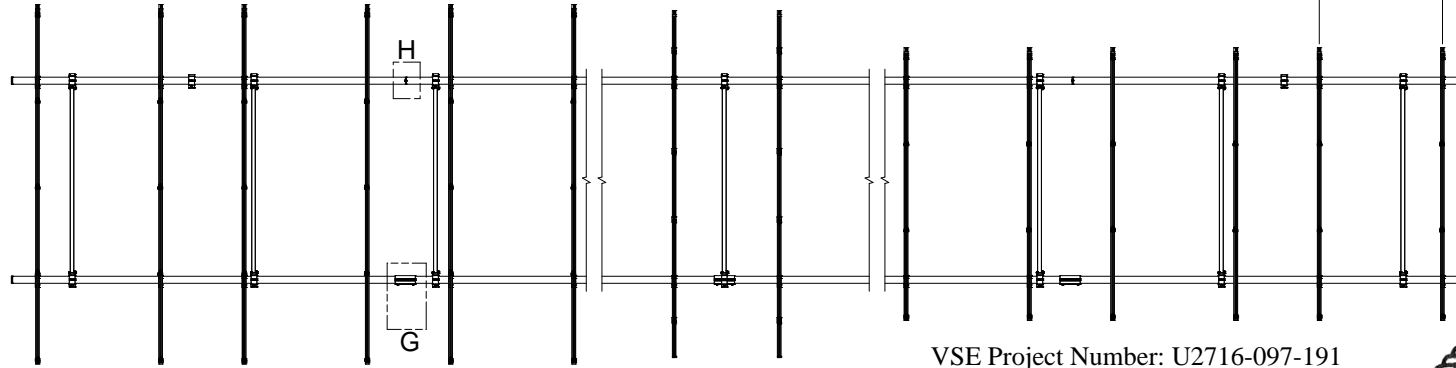
- 1. DIMENSIONS LABELED AS MAX ARE MAXIMUM ALLOWABLE AND MAY RESULT IN END POSTS BEING OUTSIDE ARRAY EDGES. MAXIMUM DIMENSIONS MAY BE REDUCED IF DESIRED.
- 2. SEE NOTE 7 OF COVER PAGE FOR PANEL SIZES.

**RAIL SPACING**

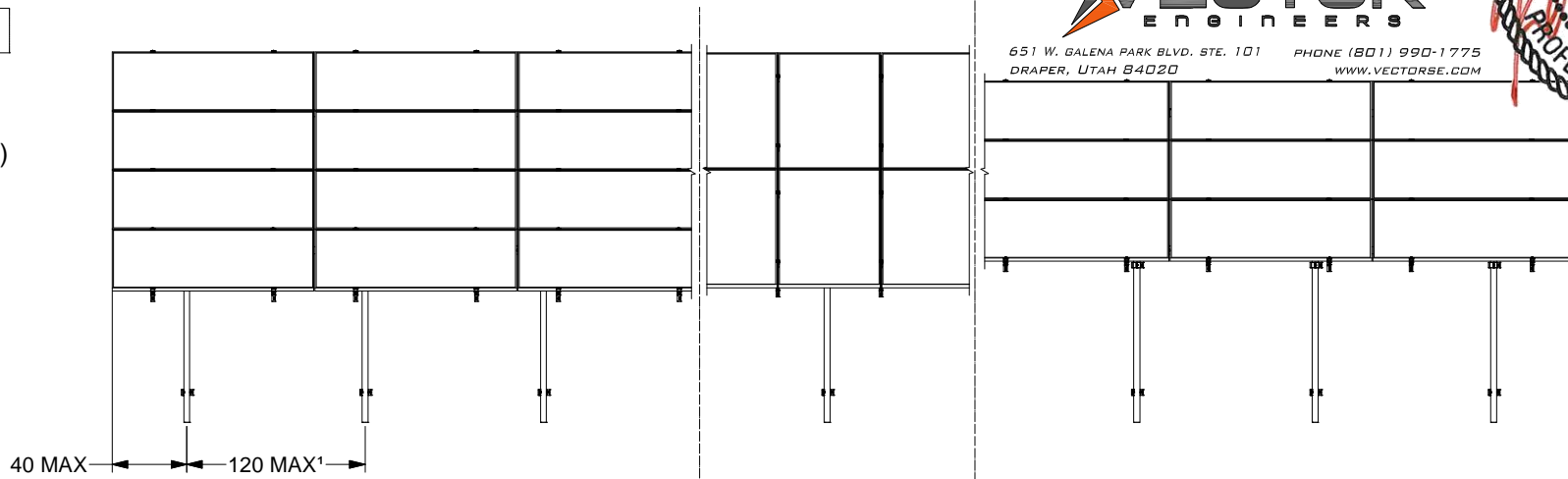
LANDSCAPE: PER PANEL MANUFACTURER  
PORTRAIT: PANEL WIDTH + 0.25"



DETAIL G



DETAIL H (ALTERNATE)



4L  
4-IN-LANDSCAPE

2P  
2-IN-PROTRAIT

3L  
3-IN-LANDSCAPE

VSE Project Number: U2716-097-191

CO Firm License: 20181009799

STRUCTURAL ONLY



651 W. GALENA PARK BLVD. STE. 101 DRAPER, UTAH 84020  
PHONE (801) 990-1775 WWW.VECTORSE.COM



|                      |                  |
|----------------------|------------------|
| <b>SunModo Corp.</b> |                  |
| TITLE                | PACKET B3        |
| D                    | DRAWING NUMBER   |
| SCALE:               | SHEET 2 of 4 REV |

VSE Project Number: U2716-097-191

CO Firm License: 20181009799

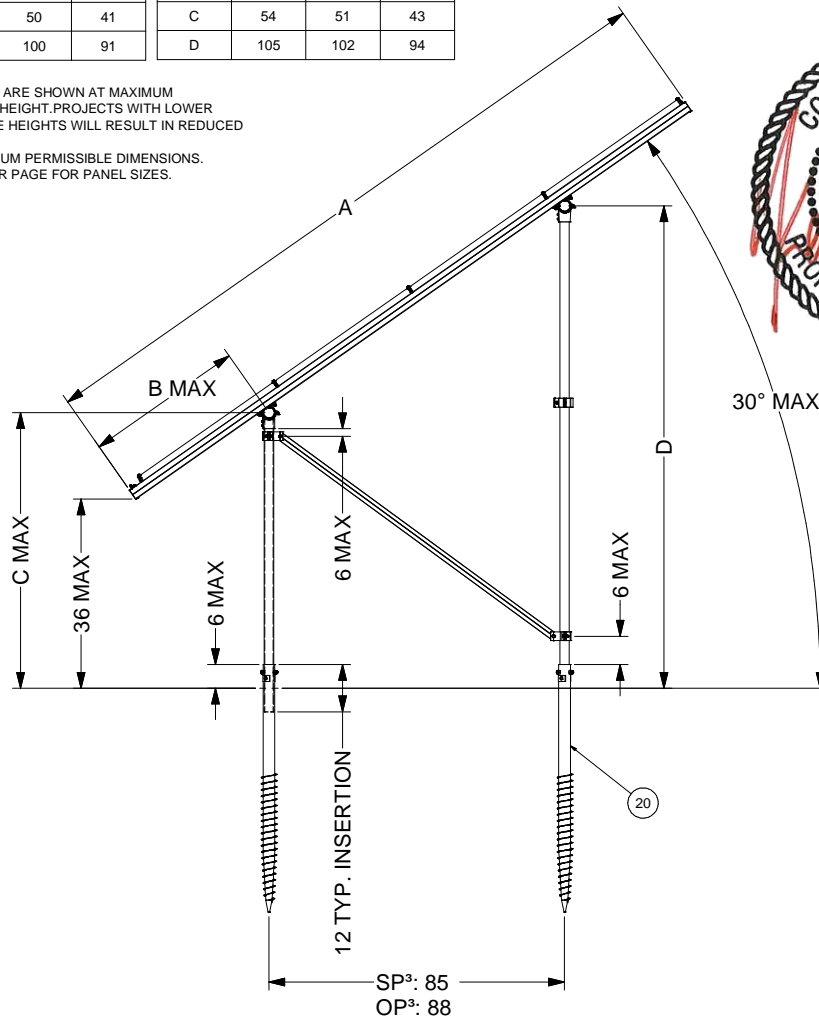


651 W. GALENA PARK BLVD. STE. 101 DRAPER, UTAH 84020 PHONE (801) 990-1775 WWW.VECTORSE.COM

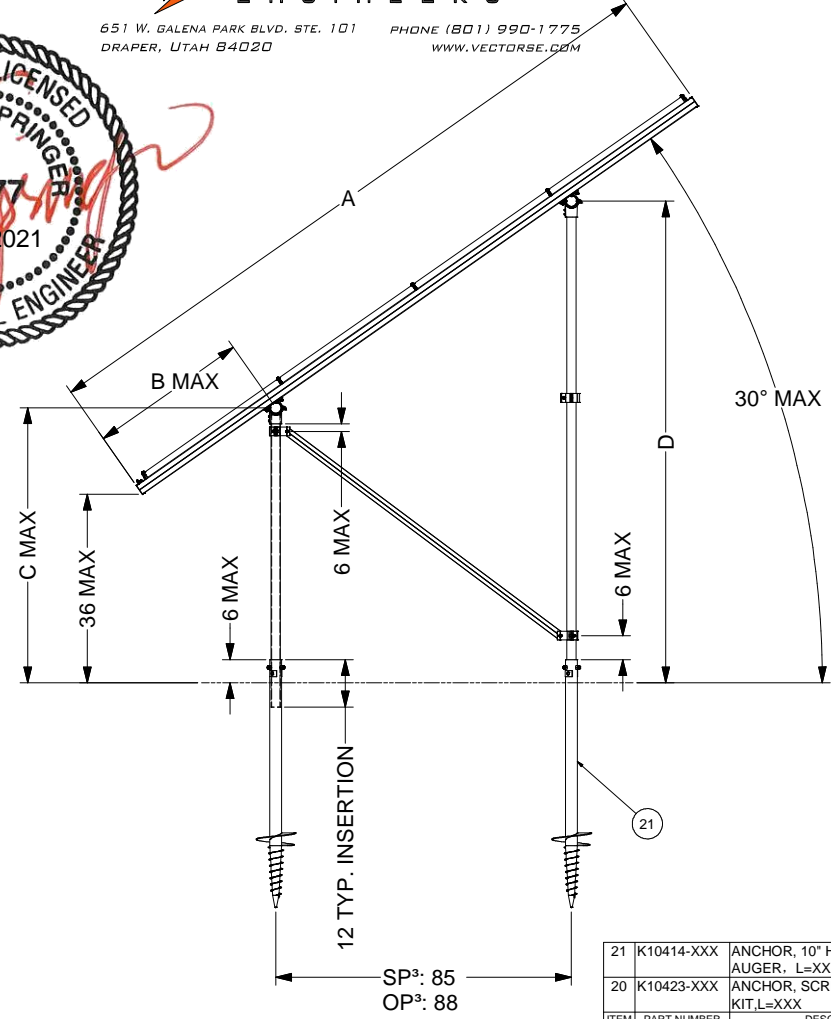


| DIMENSIONS - STANDARD PANEL |     |     |     | DIMENSIONS - OVERSIZE PANEL |     |     |     |
|-----------------------------|-----|-----|-----|-----------------------------|-----|-----|-----|
| ITEM                        | 4L  | 2P  | 3L  | ITEM                        | 4L  | 2P  | 3L  |
| A                           | 172 | 166 | 130 | A                           | 184 | 172 | 140 |
| B                           | 37  | 34  | 16  | B                           | 41  | 35  | 19  |
| C                           | 52  | 50  | 41  | C                           | 54  | 51  | 43  |
| D                           | 101 | 100 | 91  | D                           | 105 | 102 | 94  |

- NOTES**
1. DIMENSIONS IN TABLE ARE SHOWN AT MAXIMUM TILT & LEADING EDGE HEIGHT. PROJECTS WITH LOWER TILTS & LEADING EDGE HEIGHTS WILL RESULT IN REDUCED DIMENSIONS.
  2. MAX DENOTES MAXIMUM PERMISSIBLE DIMENSIONS.
  3. SEE NOTE 7 OF COVER PAGE FOR PANEL SIZES.



**GROUND SCREW GROUND MOUNT (GSM)**



**AUGER GROUND MOUNT (AGM)**

| ITEM | PART NUMBER | DESCRIPTION                          | QTY |
|------|-------------|--------------------------------------|-----|
| 21   | K10414-XXX  | ANCHOR, 10" HELIX SCREW AUGER, L=XXX |     |
| 20   | K10423-XXX  | ANCHOR, SCREW AUGER KIT, L=XXX       |     |

**SunModo Corp.**

TITLE: PACKET B3

DRAWING NUMBER: D

SCALE: SHEET 3 of 4 REV

STRUCTURAL ONLY



651 W. GALENA PARK BLVD. STE. 101 DRAPER, UTAH 84020 PHONE (801) 990-1775 WWW.VECTORSE.COM

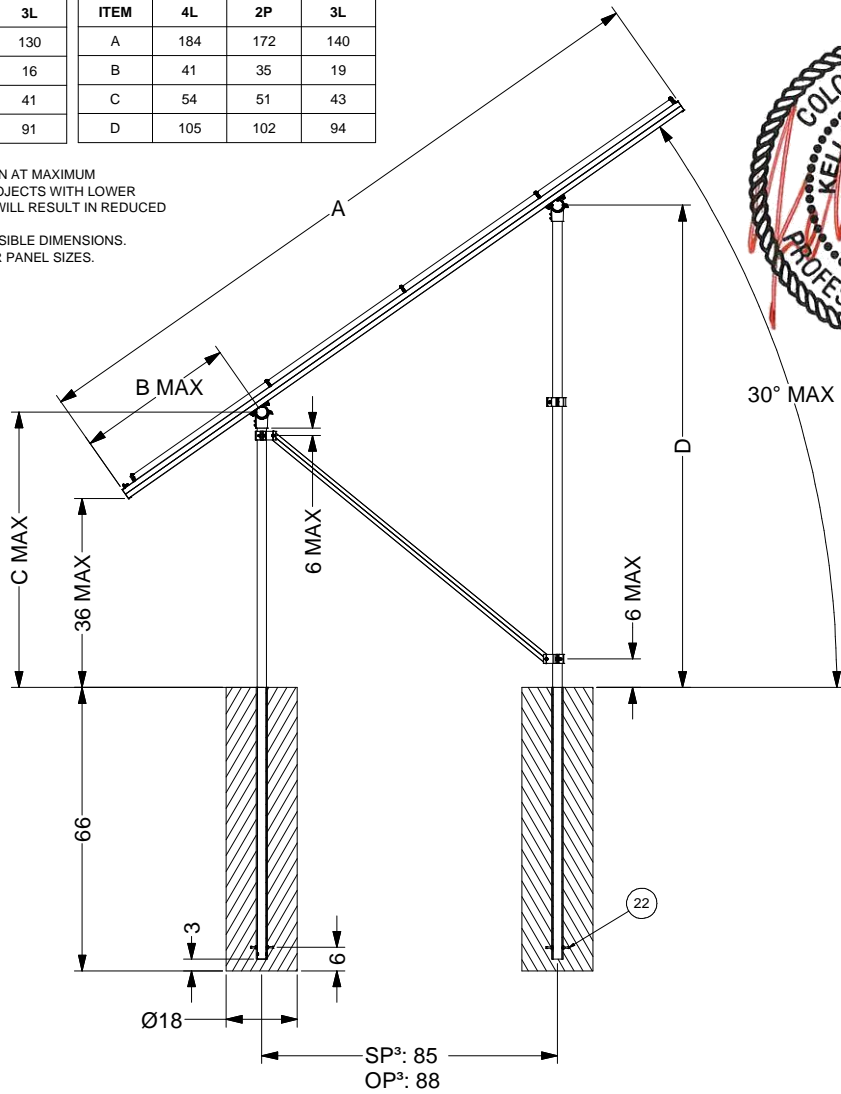


| DIMENSIONS - STANDARD PANEL |     |     |     |
|-----------------------------|-----|-----|-----|
| ITEM                        | 4L  | 2P  | 3L  |
| A                           | 172 | 166 | 130 |
| B                           | 37  | 34  | 16  |
| C                           | 52  | 50  | 41  |
| D                           | 101 | 100 | 91  |

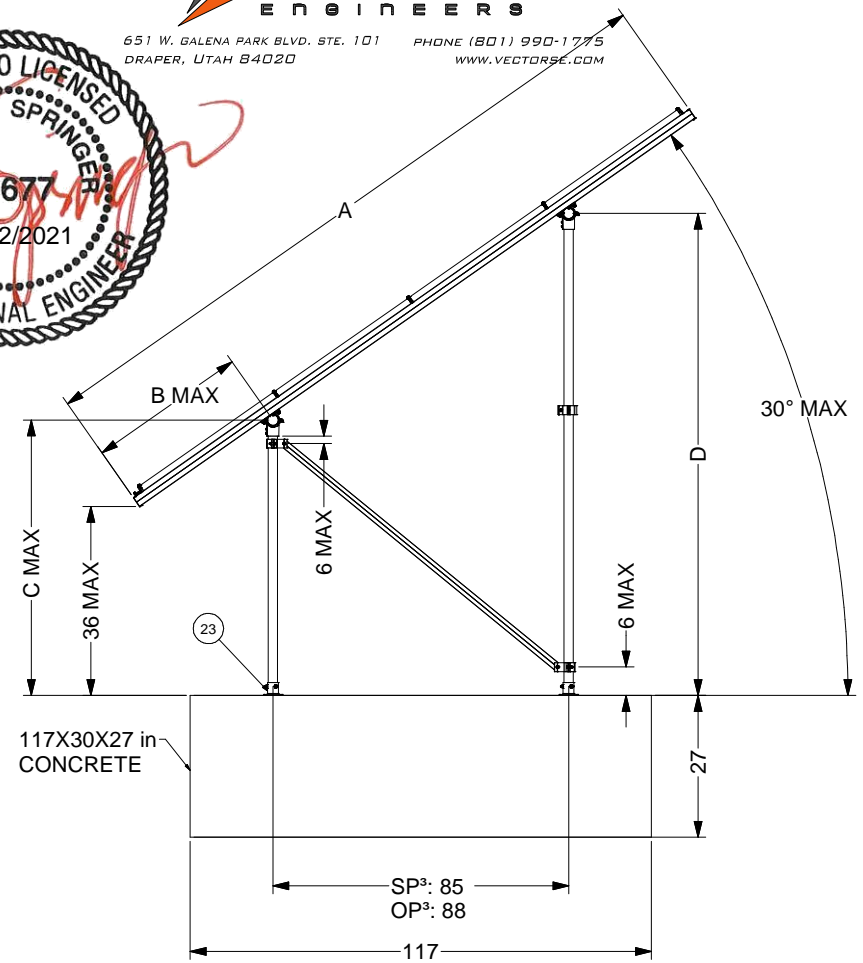
| DIMENSIONS - OVERSIZE PANEL |     |     |     |
|-----------------------------|-----|-----|-----|
| ITEM                        | 4L  | 2P  | 3L  |
| A                           | 184 | 172 | 140 |
| B                           | 41  | 35  | 19  |
| C                           | 54  | 51  | 43  |
| D                           | 105 | 102 | 94  |

NOTES

1. DIMENSIONS IN TABLE ARE SHOWN AT MAXIMUM TILT & LEADING EDGE HEIGHT. PROJECTS WITH LOWER TILTS & LEADING EDGE HEIGHTS WILL RESULT IN REDUCED DIMENSIONS.
2. MAX DENOTES MAXIMUM PERMISSIBLE DIMENSIONS.
3. SEE NOTE 7 OF COVER PAGE FOR PANEL SIZES.
4. K10268-005 (2" PIPE BASE KIT) OR K10302-001 (2" PIPE BASE KIT)



POST-IN-CONCRETE GROUND MOUNT (PGM)



BALLAST GROUND MOUNT (BGM)

| 23                   |             | POST BASE. VARIES PER NOTE   |     |
|----------------------|-------------|------------------------------|-----|
| 22                   | K10186-001  | EMBEDDED 2.0" PIPE CLAMP KIT |     |
| ITEM                 | PART NUMBER | DESCRIPTION                  | QTY |
| <b>SunModo Corp.</b> |             |                              |     |
| TITLE: PACKET B3     |             |                              |     |
| D DRAWING NUMBER     |             |                              |     |
| SCALE:               |             | SHEET 4 of 4                 | REV |