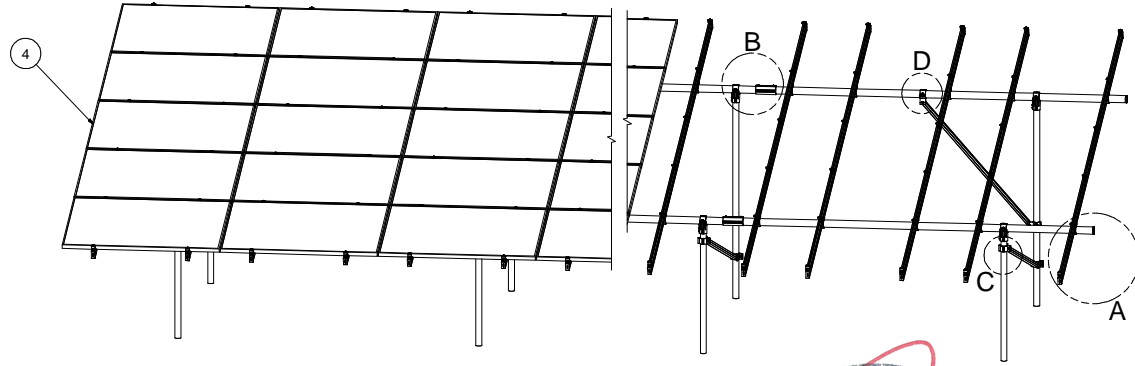


**NOTES: UNLESS OTHERWISE SPECIFIED**

1. THIS DRAWING IS NOT FOR CONSTRUCTION UNTIL ENGINEERING HAS REVIEWED AND STAMPED THIS DOCUMENT.
2. DIMENSIONS SHOWN ARE INCHES.
3. THE SELF-BONDING SYSTEM AND SINGLE GROUND LUG IS FOR USE WITH PV MODULES THAT HAVE A MAXIMUM SERIES FUSE RATING OF 30A.
4. MATERIALS ARE AS SPECIFIED OR EQUIVALENT:  
HARDWARE: 304 STAINLESS STEEL  
FABRICATED EXTRUDED PARTS: 6005-T5 ALUMINUM ALLOY  
FABRICATED DIE CAST PARTS: ANSI/AA A380 ALUMINUM ALLOY  
STEEL PIPE: SCHEDULE 40 GALVANIZED  
ALUMINUM PIPE: SCHEDULE 10 ANODIZED
5. THE MAXIMUM PERMISSIBLE LENGTH OF ANY STRUCTURE SHALL BE 200 FT. FOR SYSTEMS USING A SHARED RAIL CONFIGURATION, A THERMAL BREAK IS REQUIRED IN THE RAIL EVERY 40 FT. PER THE DRAWING DETAILS.
6. 5LXN-15DEG-GSM-AGM-PGM-BGM.
7. APPROVED RAIL PROFILES  
A20288-XXX (HR300 RAIL), A20297-001 (END CAP), K10343-004 (U-CLAMP KIT);  
A20145-XXX (HR350 RAIL), A20285-001 (END CAP), K10343-001 (U-CLAMP KIT).
8. K10224-XXX END CLAMP KIT OR K10299-XXX ADJ. END CLAMP KIT.
9. FOUNDATION TYPES:  
GSM = GROUND SCREW GROUND MOUNT  
AGM = HELICAL AUGER GROUND MOUNT  
PGM = POST-IN-CONCRETE GROUND MOUNT  
BGM = BALLAST GROUND MOUNT

PACKET C4	
Model Code	ASCE 7-16
Exposure Category	C and Lower
Wind Speed	110 mph and Lower
Ground Snow Load	0 PSF and Lower
Tilt	15 DEG and Lower



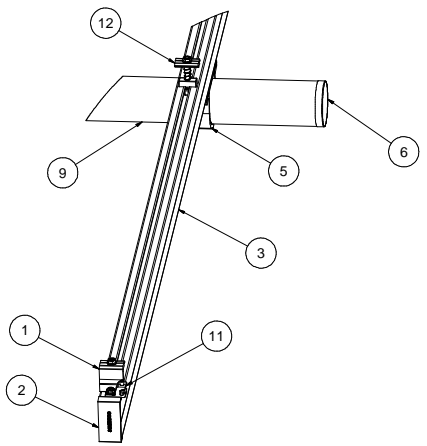
VSE Number: U2716-0255-201  
STRUCTURAL ONLY



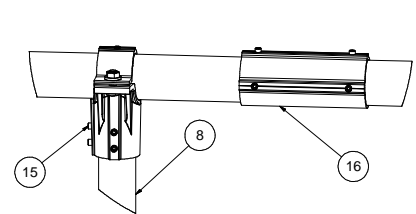
651 W. GALENA PARK BLVD. STE. 101 DRAPER, UTAH 84020 PHONE (801) 990-1775 WWW.VECTORSE.COM



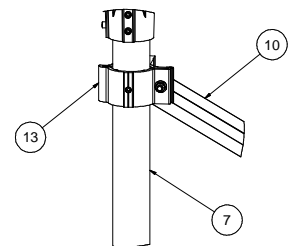
09/22/2020



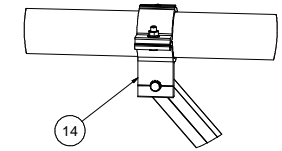
**DETAIL A** Vector Engineers requires that we review each site specific install and is not liable for installs at site specific locations we have not reviewed.



**DETAIL B**



**DETAIL C**



**DETAIL D**

16	K10342-001	2.5" PIPE SPLICE KIT	
15	K10341-002	2.5" PIPE TEE KIT	
14	K10222-001	2.5" PIPE CLAMP KIT	
13	K10219-001	2" AL PIPE CLAMP KIT	
12	K10180-001	GROUNDING MID-CLAMP KIT WITH T COLLAR BOLT AND GROUNDING BASE	
11	K10179-001	SELF-GROUNDING LUG KIT	
10	A50164-XXX	1.5"X1.5"X0.083" GAL STEEL TUBE BRACE,L=XXX	
9	A21168-XXX	PIPE, HSS, 2.875" OD X 12 GAUGE,L=XXX	
8	A21165-XXX( REAR)	PIPE, HSS, 2.375" OD X 12 GAUGE,L=XXX	
7	A21165-XXX( FRONT)	PIPE, HSS, 2.375" OD X 12 GAUGE,L=XXX	
6	A20380-001	2.5" PIPE END CAP	
5		U-CLAMP KIT VARIES PER NOTE 7	
4		PANEL	
3		HELIO RAIL VARIES PER NOTE 7	
2		HELIO RAIL END CAP VARIES PER NOTE 7	
1		END CLAMP KIT VARIES PER NOTE 8	

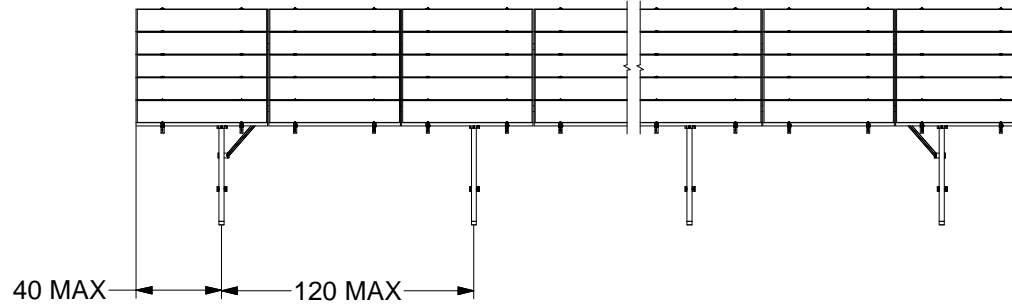
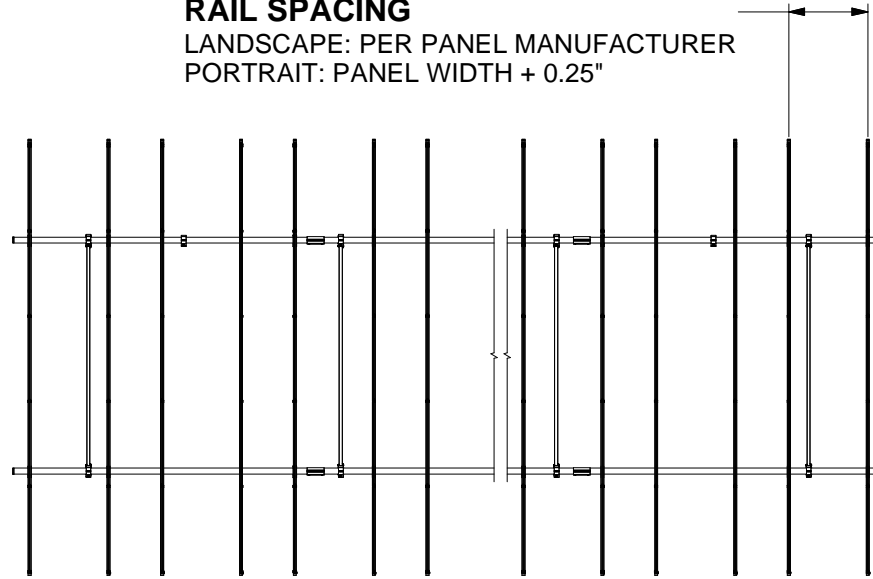
ITEM	PART NUMBER	DESCRIPTION	QTY
<small>APPROVALS: SEE BOM</small> <small>THIRD ANGLE PROJECTION</small> <small>PERSONAL USE ONLY (Not for Redistribution)</small> <small>NO SCALE</small> <small>DATE: 09/22/2020</small> <small>BY: JSP</small> <small>CHECKED BY:</small> <small>DATE:</small>			
<b>SunModo Corp.</b>			
14800 NE 65TH STREET, VANCOUVER WA 98682			
TITLE: _____			
DRAWING NUMBER: _____			
D: PACKET C4			
SCALE: _____		SHEET 1 of 4	

THIS DRAWING IS CONFIDENTIAL PROPERTY OF SUNMODO AND ITS CONTENTS MAY NOT BE DISCLOSED WITHOUT THE PRIOR WRITTEN CONSENT OF SUNMODO CORP.

NOTE:  
 1. DIMENSIONS LABELED AS MAX ARE MAXIMUM ALLOWABLE AND MAY RESULT IN END POSTS BEING OUTSIDE ARRAY EDGES. MAXIMUM DIMENSIONS MAY BE REDUCED IF DESIRED.

### RAIL SPACING

LANDSCAPE: PER PANEL MANUFACTURER  
 PORTRAIT: PANEL WIDTH + 0.25"



VSE Number: U2716-0255-201

STRUCTURAL ONLY



651 W. GALENA PARK BLVD. STE. 101 PHONE (801) 990-1775  
 DRAPER, UTAH 84020 WWW.VECTORSE.COM



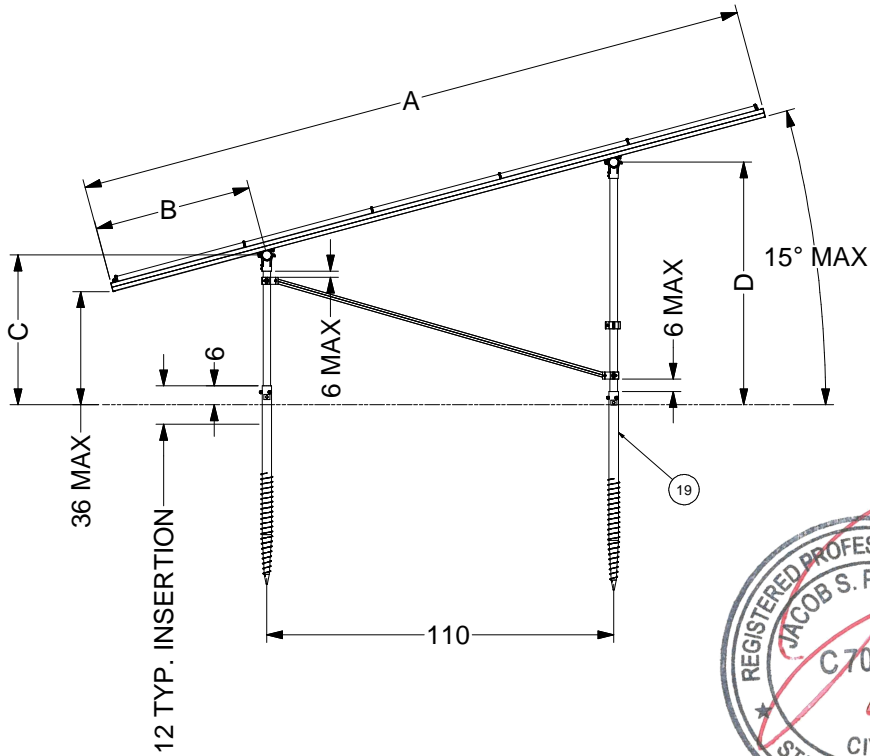
09/22/2020

<b>SunModo Corp.</b>	
TITLE	
D	DRAWING NUMBER: PACKET C4
SCALE:	SHEET 2 of 4 REV

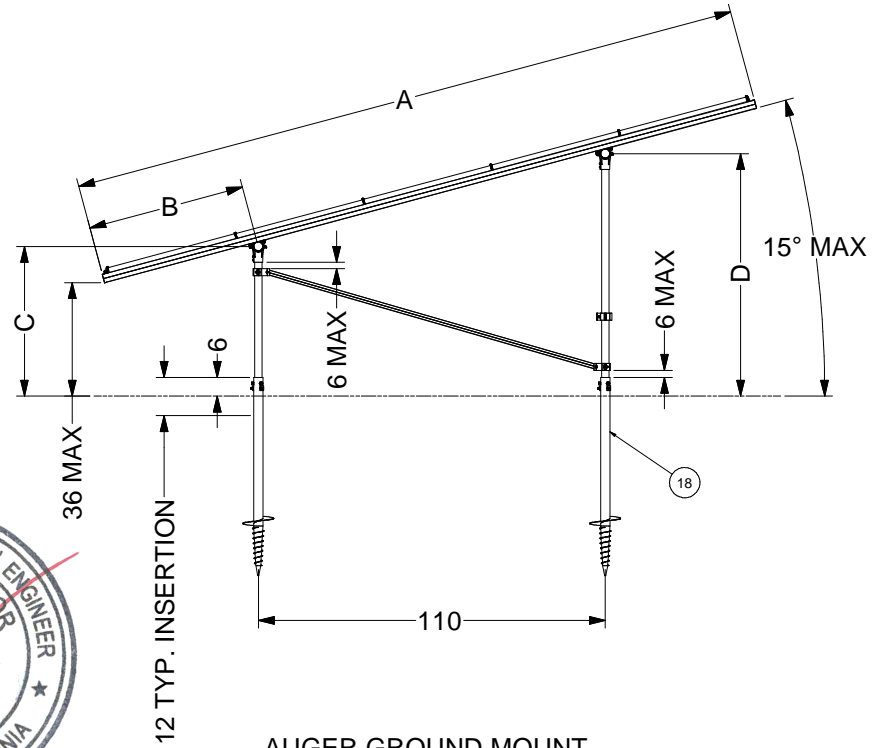
DIMENSIONS	
ITEM	5L
A	214
B	50
C	48
D	77

**NOTES**

1. DIMENSIONS IN TABLE ARE SHOWN AT MAXIMUM TILT & LEADING EDGE HEIGHT. PROJECTS WITH LOWER TILTS & LEADING EDGE HEIGHTS WILL RESULT IN REDUCED DIMENSIONS.
2. MAX DENOTES MAXIMUM PERMISSIBLE DIMENSIONS.



**GROUND SCREW GOUND MOUNT (GSM)**



**AUGER GROUND MOUNT (AGM)**



09/22/2020

VSE Number: U2716-0255-201

**STRUCTURAL ONLY**

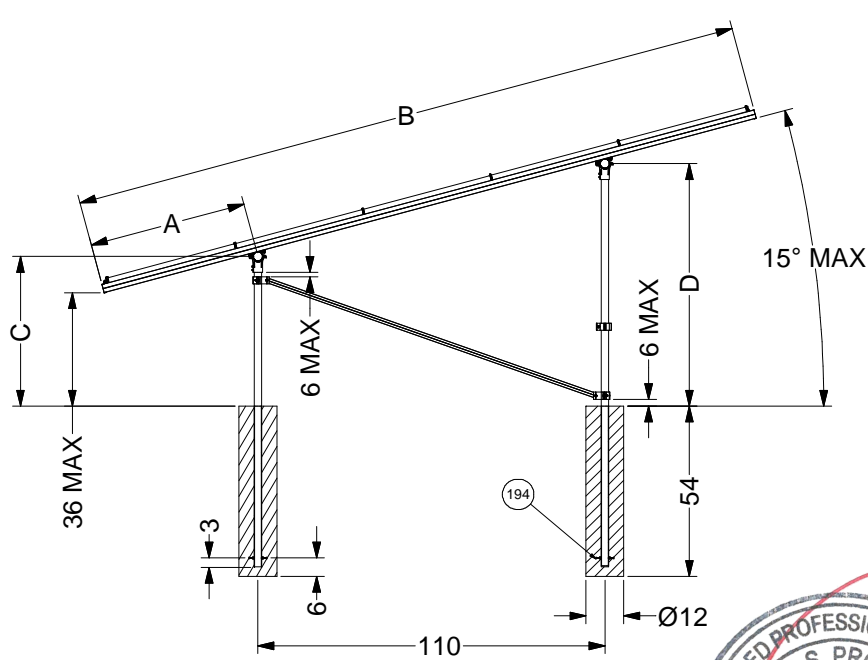


19	K10423-XXX	ANCHOR, SCREW AUGER KIT, L=XXX	
18	K10414-XXX	ANCHOR, 10" HELIX SCREW AUGER, L=XXX	
ITEM	PART NUMBER	DESCRIPTION	QTY
<b>SunModo Corp.</b>			
TITLE			
DRAWING NUMBER: PACKET C4			
SCALE: SHEET 3 of 4 REV			

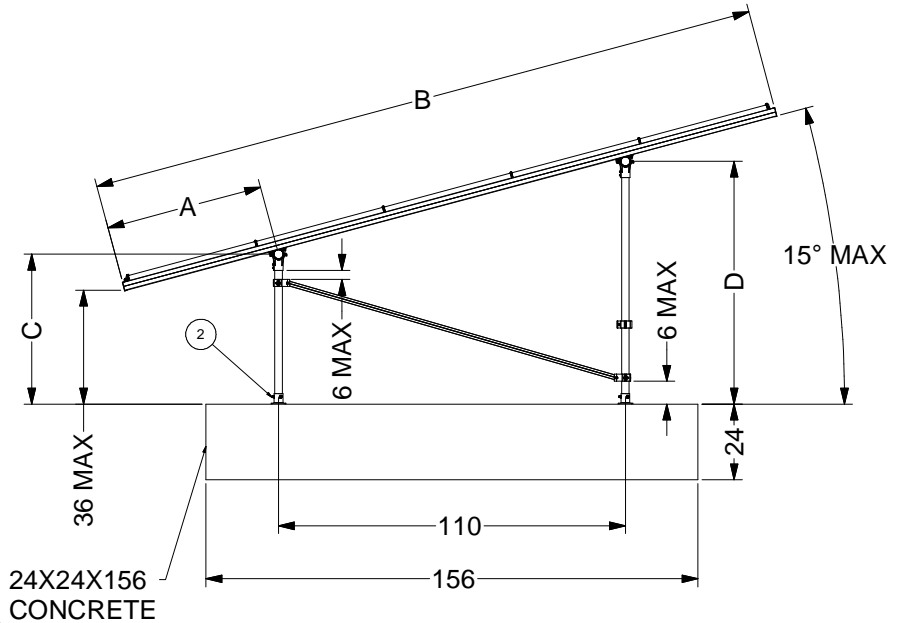
DIMENSIONS	
ITEM	5L
A	214
B	50
C	48
D	77

**NOTES**

1. DIMENSIONS IN TABLE ARE SHOWN AT MAXIMUM TILT & LEADING EDGE HEIGHT. PROJECTS WITH LOWER TILTS & LEADING EDGE HEIGHTS WILL RESULT IN REDUCED DIMENSIONS.
2. MAX DENOTES MAXIMUM PERMISSIBLE DIMENSIONS.
3. K10268-005 (2" PIPE BASE KIT) OR K10302-001 (2" PIPE BASE KIT)



POST-IN-CONCRETE GROUND MOUNT (PGM)



24X24X156 CONCRETE

BALLAST GROUND MOUNT (BGM)



VSE Number: U2716-0255-201  
STRUCTURAL ONLY

09/22/2020



2		POST BASE VARIES PER NOTE	
3		EMBEDDED 2.0" PIPE CLAMP KIT	
194	K10186-001	EMBEDDED 2.0" PIPE CLAMP KIT	
ITEM	PART NUMBER	DESCRIPTION	QTY
<b>SunModo Corp.</b>			
TITLE			
D [DRAWING NUMBER] PACKET C4			
SCALE:		SHEET 4 of 4	REV