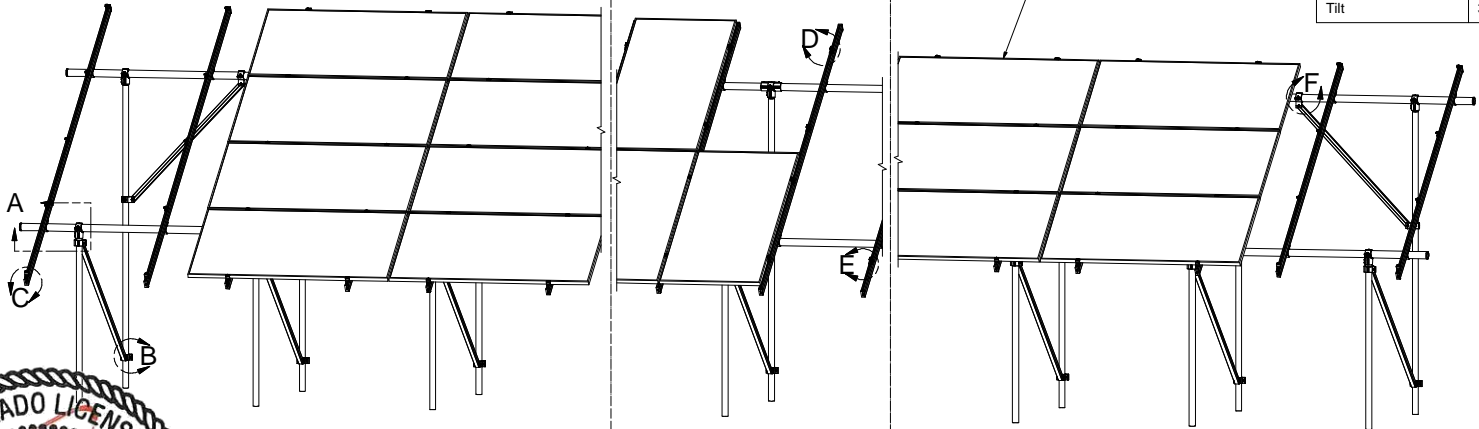


**NOTES: UNLESS OTHERWISE SPECIFIED**

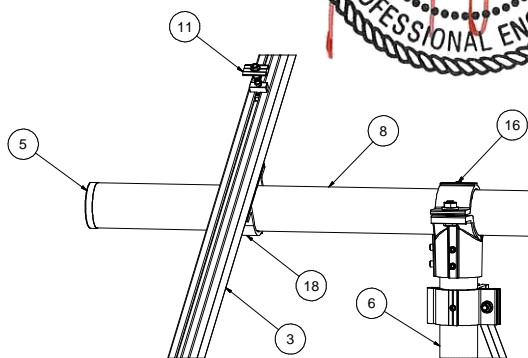
- THIS DRAWING IS NOT FOR CONSTRUCTION UNTIL ENGINEERING HAS REVIEWED AND STAMPED THIS DOCUMENT.
- DIMENSIONS SHOWN ARE INCHES.
- THE SELF-BONDING SYSTEM AND SINGLE GROUND LUG IS FOR USE WITH PV MODULES THAT HAVE A MAXIMUM SERIES FUSE RATING OF 30A.
- MATERIALS ARE AS SPECIFIED OR EQUIVALENT:  
HARDWARE: 304 STAINLESS STEEL  
FABRICATED EXTRUDED PARTS: 6005-T5 ALUMINUM ALLOY  
FABRICATED DIE CAST PARTS: ANSI/AA A380 ALUMINUM ALLOY  
STEEL PIPE: SCHEDULE 40 GALVANIZED  
ALUMINUM PIPE: SCHEDULE 10 ANODIZED
- THE MAXIMUM PERMISSIBLE LENGTH OF ANY STRUCTURE SHALL BE 200 FT. FOR SYSTEMS USING A SHARED RAIL CONFIGURATION, A THERMAL BREAK IS REQUIRED IN THE RAIL EVERY 40 FT. PER THE DRAWING DETAILS.
- 4LXN-3LXN-2PXN-35DEG-GSM-AGM-BGM-PGM.
- APPROVED RAIL PROFILES  
A20289-XXX (HR300 RAIL), A20297-001 (END CAP), K10343-002 (U-CLAMP KIT);  
A20145-XXX (HR350 RAIL), A20285-001 (END CAP), K10343-001 (U-CLAMP KIT);
- K10224-XXX END CLAMP KIT OR K10299-XXX ADJ. END CLAMP KIT.
- FOUNDATION TYPES:  
GSM = GROUND SCREW GROUND MOUNT  
AGM = HELICAL AUGER GROUND MOUNT  
PGM = POST-IN-CONCRETE GROUND MOUNT  
BSM = BALLAST GROUND MOUNT

651 W. GALENA PARK BLVD. STE. 101 DRAPER, UTAH 84020  
PHONE (801) 990-1775  
WWW.VECTORSE.COM

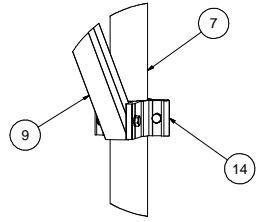


4L 4 IN-LANDSCAPE  
2P 2-IN-PROTRAIT  
3L 3-IN-LANDSCAPE  
VECTOR PROJECT #: U2716-0281-211

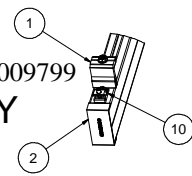
Firm License Number: 20181009799  
**STRUCTURAL ONLY**



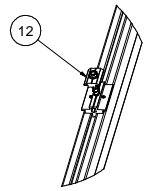
DETAIL A



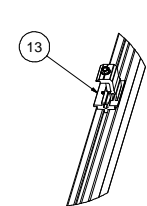
DETAIL B



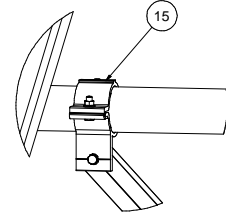
DETAIL C



DETAIL D



DETAIL E



DETAIL F

Packet A10

|                   |                   |
|-------------------|-------------------|
| Model Code        | ASCE 7-16         |
| Exposure Category | C                 |
| Wind Speed        | 115 mph and Lower |
| Ground Snow Load  | 50 PSF and Lower  |
| Tilt              | 35 DEG and Lower  |

| ITEM | PART NUMBER        | DESCRIPTION   | QTY |
|------|--------------------|---|-----|
| 18   | K10343-001         | 2.5" AL PIPE U-CLAMP KIT                                      |     |
| 17   | K10342-001         | 2.5" PIPE SPLICE KIT  |     |
| 16   | K10341-001         | 2.5" PIPE TEE KIT   |     |
| 15   | K10222-001         | 2.5" PIPE CLAMP KIT   |     |
| 14   | K10219-001         | 2" AL PIPE CLAMP KIT  |     |
| 13   | K10183-XXX         | LANDSCAPE GROUNDING END CLAMP KIT                             |     |
| 12   | K10182-001         | LANDSCAPE GROUNDING MID CLAMP KIT                             |     |
| 11   | K10180-001         | GROUNDING MID-CLAMP KIT WITH T COLLAR BOLT AND GROUNDING BASE |     |
| 10   | K10179-001         | SELF-GROUNDING LUG KIT  |     |
| 9    | A50164-XXX         | 1.5" SQ. STL TUBE BRACE, L=XXX                                |     |
| 8    | A21168-XXX         | PIPE, HSS, 2.875" OD X 12 GAUGE, L=XXX                        |     |
| 7    | A21165-XXX (REAR)  | PIPE, HSS, 2.375" OD X 12 GAUGE, L=XXX                        |     |
| 6    | A21165-XXX (FRONT) | PIPE, HSS, 2.375" OD X 12 GAUGE, L=XXX                        |     |
| 5    | A20380-001         | 2.5" PIPE END CAP   |     |
| 4    |                    | PANEL   |     |
| 3    |                    | HELIO-RAIL. VARIES PER NOTE 7                                 |     |
| 2    |                    | HELIO-RAIL END CAP. VARIES PER NOTE 7                         |     |
| 1    |                    | END CLAMP KIT. VARIES PER NOTE 8                              |     |

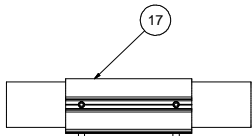
|  |            |
|--|------------|
| SEE BOM                                  |            |
| THIRD ANGLE PROJECTION                   |            |
| DATE: 07/02/2020                         |            |
| CHECKED BY: KVV                          |            |
| APPROVALS:                               |            |
| <b>SunModo Corp.</b>                     |            |
| 14800 NE 65TH STREET, VANCOUVER WA 98662 |            |
| TITLE:                                   | PACKET A10 |
| DRAWING NUMBER:                          |            |
| SCALE:                                   |            |
| SHEET:                                   | 1 of 4     |

Vector Engineers requires that we review each site specific install and is not liable for installs at site specific locations we have not reviewed.

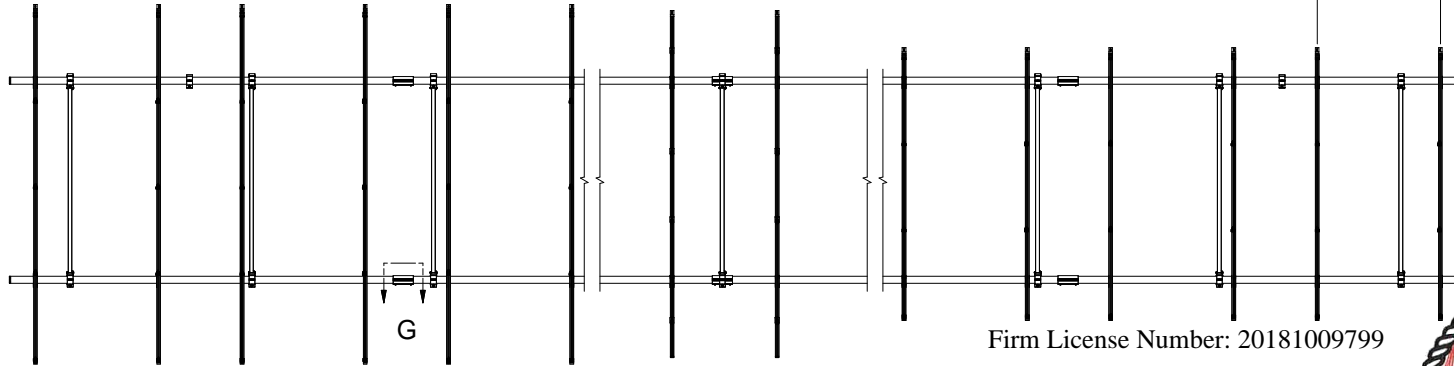
THIS DRAWING IS CONFIDENTIAL PROPERTY OF SUNMODO AND ITS CONTENTS MAY NOT BE DISCLOSED WITHOUT THE PRIOR WRITTEN CONSENT OF SUNMODO CORP.

**NOTES:**  
 1. DIMENSIONS LABELED AS MAX ARE MAXIMUM ALLOWABLE  
 AND MAY RESULT IN END POSTS BEING OUTSIDE ARRAY EDGES.  
 MAXIMUM DIMENSIONS MAY BE REDUCED IF DESIRED.

**RAIL SPACING**  
 LANDSCAPE: PER PANEL MANUFACTURER  
 PORTRAIT: PANEL WIDTH + 0.25"



DETAIL G

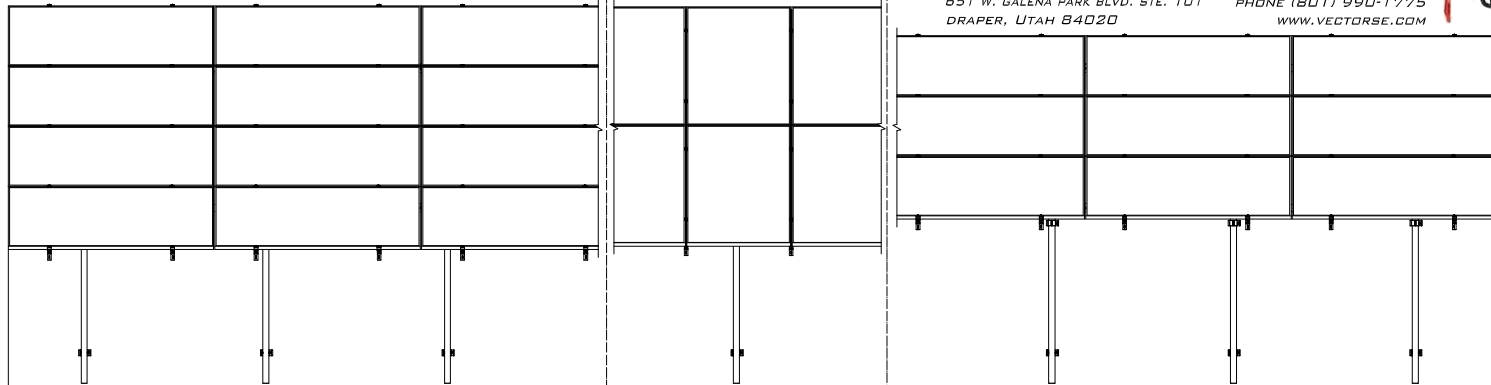


Firm License Number: 20181009799

VECTOR PROJECT #: U2716-0281-211

**STRUCTURAL ONLY**  
**VECTOR**  
 ENGINEERS

651 W. GALENA PARK BLVD. STE. 101 PHONE (801) 990-1775  
 DRAPER, UTAH 84020 WWW.VECTORSE.COM



28 MAX

84 MAX<sup>1</sup>

4L  
 4-IN-LANDSCAPE

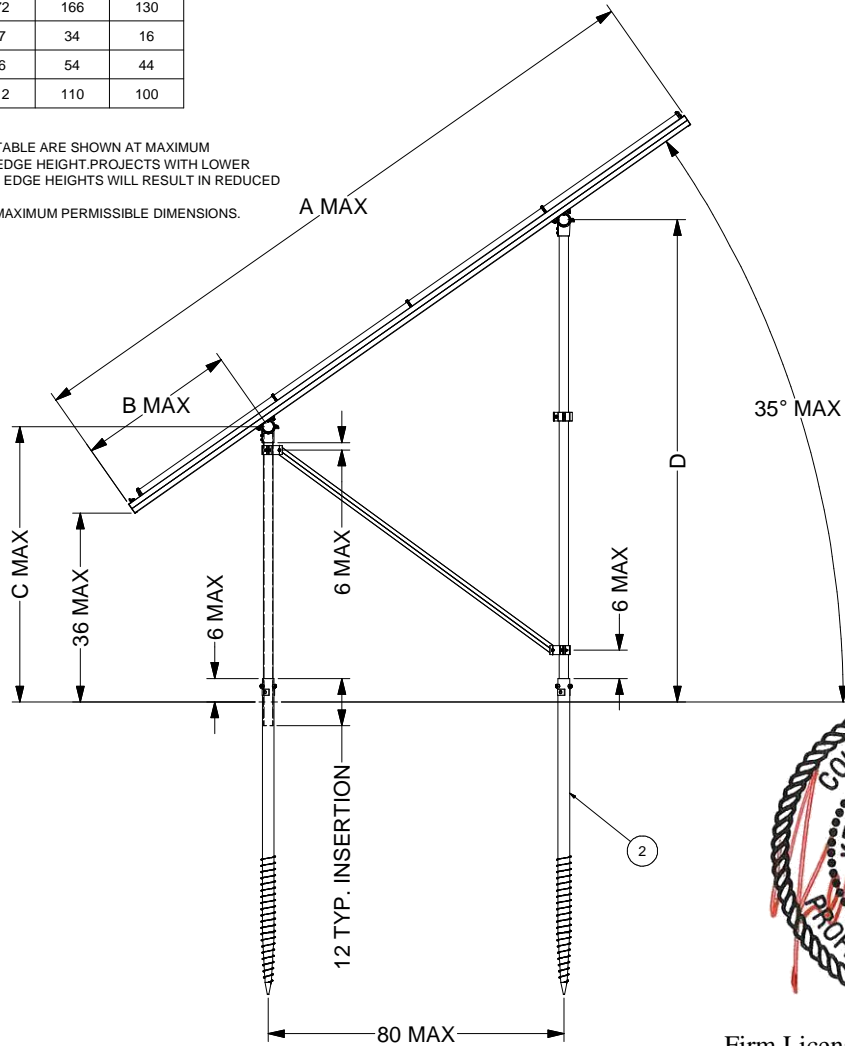
2P  
 2-IN-PROTRAIT

3L  
 3-IN-LANDSCAPE

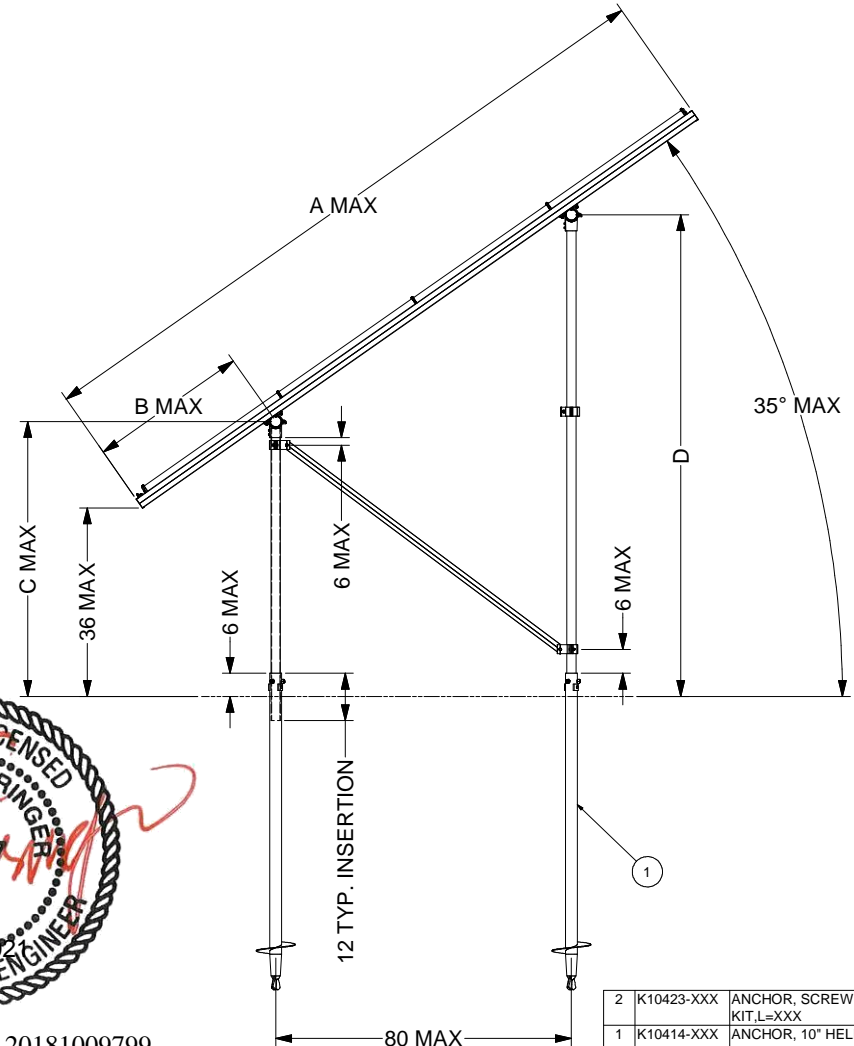
|                      |                  |
|----------------------|------------------|
| <b>SunModo Corp.</b> |                  |
| TITLE                | PACKET A10       |
| D                    | DRAWING NUMBER   |
| SCALE:               | SHEET 2 of 4 REV |

| DIMENSIONS |     |     |     |
|------------|-----|-----|-----|
| ITEM       | 4L  | 2P  | 3L  |
| A          | 172 | 166 | 130 |
| B          | 37  | 34  | 16  |
| C          | 56  | 54  | 44  |
| D          | 112 | 110 | 100 |

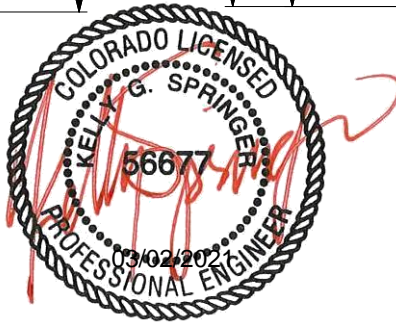
**NOTES**  
 1. DIMENSIONS IN TABLE ARE SHOWN AT MAXIMUM TILT & LEADING EDGE HEIGHT. PROJECTS WITH LOWER TILTS & LEADING EDGE HEIGHTS WILL RESULT IN REDUCED DIMENSIONS.  
 2. MAX DENOTES MAXIMUM PERMISSIBLE DIMENSIONS.



**GROUND SCREW GROUND MOUNT (GSM)**



**AUGER GROUND MOUNT (AGM)**



Firm License Number: 20181009799

VECTOR PROJECT #: U2716-0281-211

**STRUCTURAL ONLY**

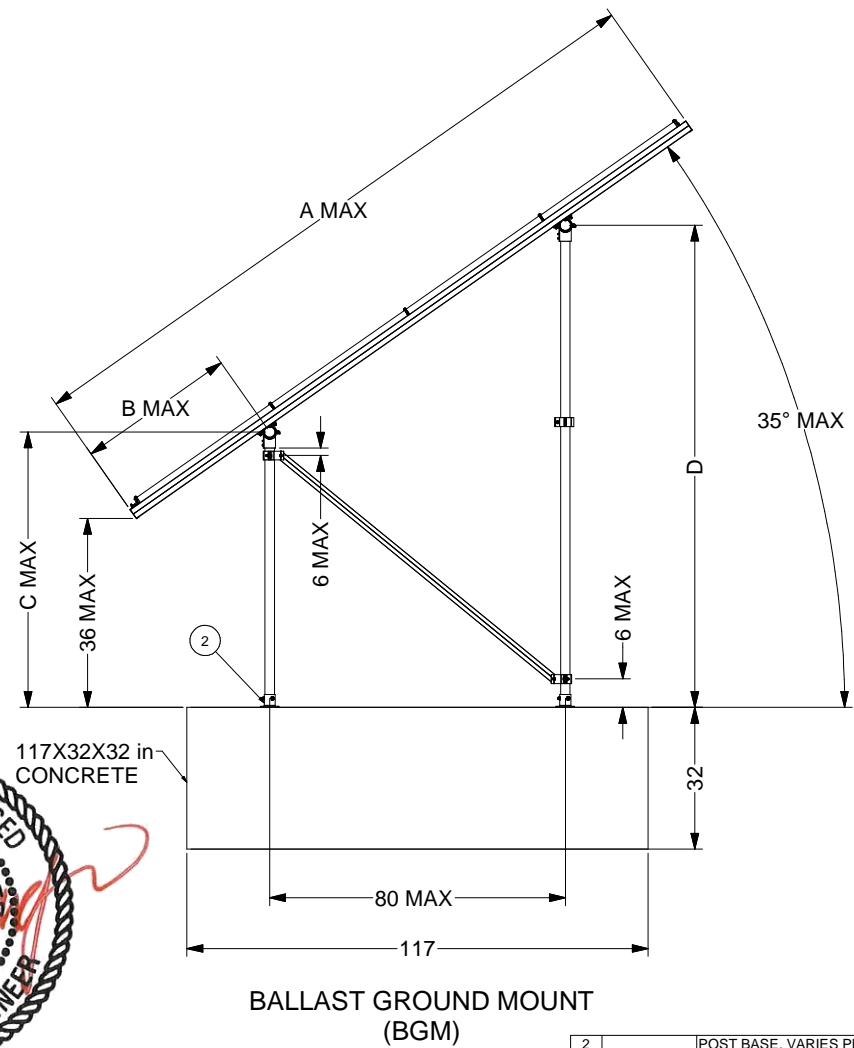
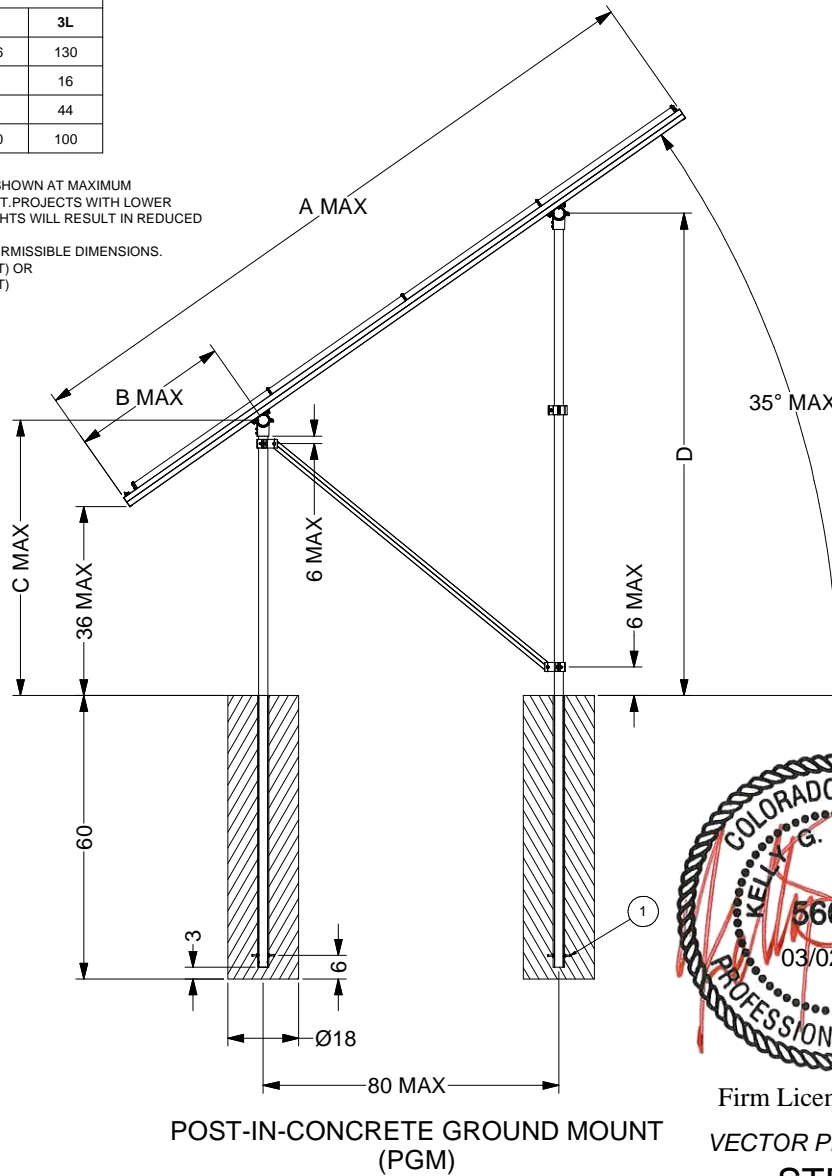


651 W. GALENA PARK BLVD. STE. 101 DRAPER, UTAH 84020 PHONE (801) 990-1775 WWW.VECTORSE.COM

| 2                    | K10423-XXX  | ANCHOR, SCREW AUGER KIT, L=XXX       |     |
|----------------------|-------------|--------------------------------------|-----|
| 1                    | K10414-XXX  | ANCHOR, 10" HELIX SCREW AUGER, L=XXX |     |
| ITEM                 | PART NUMBER | DESCRIPTION                          | QTY |
| <b>SunModo Corp.</b> |             |                                      |     |
| TITLE: PACKET A10    |             |                                      |     |
| D DRAWING NUMBER     |             |                                      |     |
| SCALE:               |             | SHEET 3 of 4                         | REV |

| DIMENSIONS |     |     |     |
|------------|-----|-----|-----|
| ITEM       | 4L  | 2P  | 3L  |
| A          | 172 | 166 | 130 |
| B          | 37  | 34  | 16  |
| C          | 56  | 54  | 44  |
| D          | 112 | 110 | 100 |

- NOTES**
1. DIMENSIONS IN TABLE ARE SHOWN AT MAXIMUM TILT & LEADING EDGE HEIGHT. PROJECTS WITH LOWER TILTS & LEADING EDGE HEIGHTS WILL RESULT IN REDUCED DIMENSIONS.
  2. MAX DENOTES MAXIMUM PERMISSIBLE DIMENSIONS.
  3. K10268-005 (2" PIPE BASE KIT) OR K10302-001 (2" PIPE BASE KIT)



Firm License Number: 20181009799

VECTOR PROJECT #: U2716-0281-211

STRUCTURAL ONLY



651 W. GALENA PARK BLVD. STE. 101 DRAPER, UTAH 84020 PHONE (801) 990-1775 WWW.VECTORSE.COM

| 2                    |             | POST BASE. VARIES PER NOTE   |     |
|----------------------|-------------|------------------------------|-----|
| 3                    |             | EMBEDDED 2.0" PIPE CLAMP KIT |     |
| 1                    | K10186-001  | EMBEDDED 2.0" PIPE CLAMP KIT |     |
| ITEM                 | PART NUMBER | DESCRIPTION                  | QTY |
| <b>SunModo Corp.</b> |             |                              |     |
| TITLE: PACKET A10    |             |                              |     |
| D: DRAWING NUMBER    |             |                              |     |
| SCALE:               |             | SHEET 4 of 4                 | REV |