

NOTES: UNLESS OTHERWISE SPECIFIED

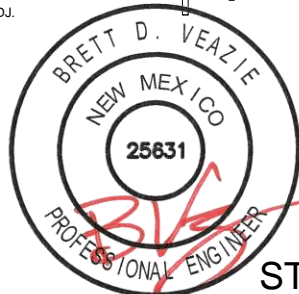
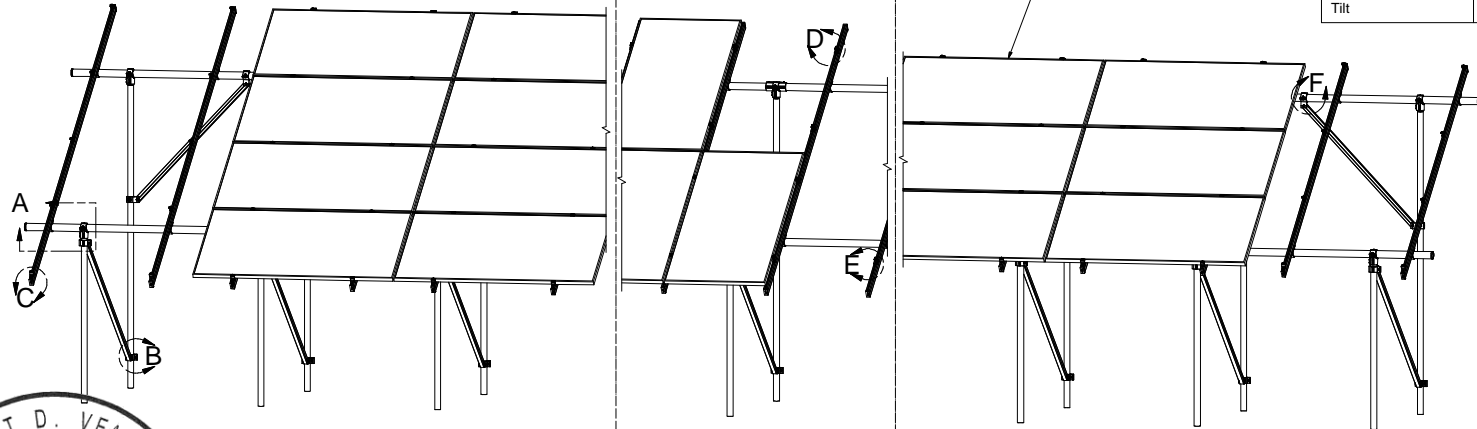
- THIS DRAWING IS NOT FOR CONSTRUCTION UNTIL ENGINEERING HAS REVIEWED AND STAMPED THIS DOCUMENT.
- DIMENSIONS SHOWN ARE INCHES.
- THE SELF-BONDING SYSTEM AND SINGLE GROUND LUG IS FOR USE WITH PV MODULES THAT HAVE A MAXIMUM SERIES FUSE RATING OF 30A.
- MATERIALS ARE AS SPECIFIED OR EQUIVALENT:
HARDWARE: 304 STAINLESS STEEL
FABRICATED EXTRUDED PARTS: 6005-T5 ALUMINUM ALLOY
FABRICATED DIE CAST PARTS: ANSI/AA A380 ALUMINUM ALLOY
STEEL PIPE: SCHEDULE 40 GALVANIZED
ALUMINUM PIPE: SCHEDULE 10 ANODIZED
- THE MAXIMUM PERMISSIBLE LENGTH OF ANY STRUCTURE SHALL BE 200 FT. FOR SYSTEMS USING A SHARED RAIL CONFIGURATION, A THERMAL BREAK IS REQUIRED IN THE RAIL EVERY 40 FT. PER THE DRAWING DETAILS.
- 4LXN-3LXN-2PXN-35DEG-GSM-AGM-BGM-PGM.
- APPROVED RAIL PROFILES
A20289-XXX (HR300 RAIL), A20297-001 (END CAP), K10343-002 (U-CLAMP KIT);
A20145-XXX (HR350 RAIL), A20285-001 (END CAP), K10343-001 (U-CLAMP KIT);
- K10224-XXX END CLAMP KIT OR K10299-XXX ADJ. END CLAMP KIT.
- FOUNDATION TYPES:
GSM = GROUND SCREW GROUND MOUNT
AGM = HELICAL AUGER GROUND MOUNT
PGM = POST-IN-CONCRETE GROUND MOUNT
BSM = BALLAST GROUND MOUNT



651 W. GALENA PARK BLVD. STE. 101 DRAPER, UTAH 84020
PHONE (801) 990-1775
WWW.VECTORSE.COM

Packet A10

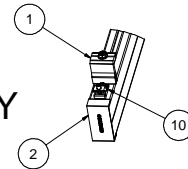
Model Code	ASCE 7-16
Exposure Category	C
Wind Speed	115 mph and Lower
Ground Snow Load	50 PSF and Lower
Tilt	35 DEG and Lower



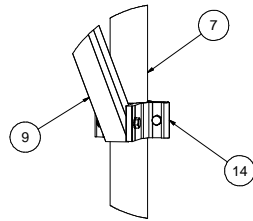
4L
4-IN-LANDSCAPE
2P
2-IN-PROTRAIT
3L
3-IN-LANDSCAPE
VECTOR PROJECT #: U2716-0281-211

STRUCTURAL ONLY

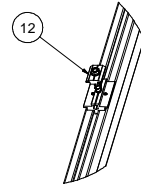
02/18/2021



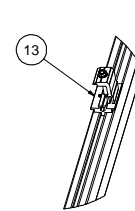
DETAIL C



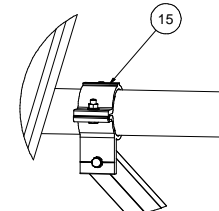
DETAIL B



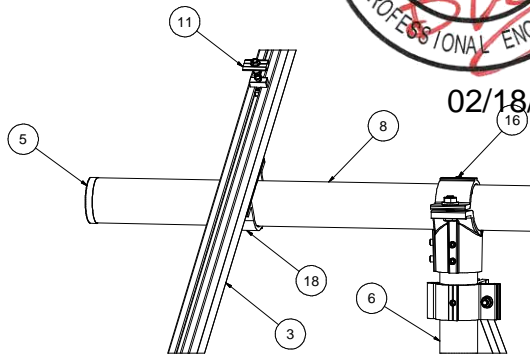
DETAIL D



DETAIL E



DETAIL F



DETAIL A

18	K10343-001	2.5" AL PIPE U-CLAMP KIT	
17	K10342-001	2.5" PIPE SPLICE KIT	
16	K10341-001	2.5" PIPE TEE KIT	
15	K10222-001	2.5" PIPE CLAMP KIT	
14	K10219-001	2" AL PIPE CLAMP KIT	
13	K10183-XXX	LANDSCAPE GROUNDING END CLAMP KIT	
12	K10182-001	LANDSCAPE GROUNDING MID CLAMP KIT	
11	K10180-001	GROUNDING MID-CLAMP KIT WITH T COLLAR BOLT AND GROUNDING BASE	
10	K10179-001	SELF-GROUNDING LUG KIT	
9	A50164-XXX	1.5" SQ. STL TUBE BRACE, L=XXX	
8	A21168-XXX	PIPE, HSS, 2.875" OD X 12 GAUGE, L=XXX	
7	A21165-XXX (REAR)	PIPE, HSS, 2.375" OD X 12 GAUGE, L=XXX	
6	A21165-XXX (FRONT)	PIPE, HSS, 2.375" OD X 12 GAUGE, L=XXX	
5	A20380-001	2.5" PIPE END CAP	
4		PANEL	
3		HELIO RAIL. VARIES PER NOTE 7	
2		HELIO RAIL END CAP. VARIES PER NOTE 7	
1		END CLAMP KIT. VARIES PER NOTE 8	

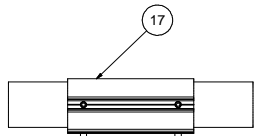
ITEM	PART NUMBER	DESCRIPTION	QTY
SunModo Corp. 14800 NE 65TH STREET, VANCOUVER WA 98682 TITLE: PACKET A10 DRAWING NUMBER: D DATE: 07/02/2020 CHECKED BY: KVV APPROVALS:			
SCALE:		SHEET 1 of 4	

Vector Engineers requires that we review each site specific install and is not liable for installs at site specific locations we have not reviewed.

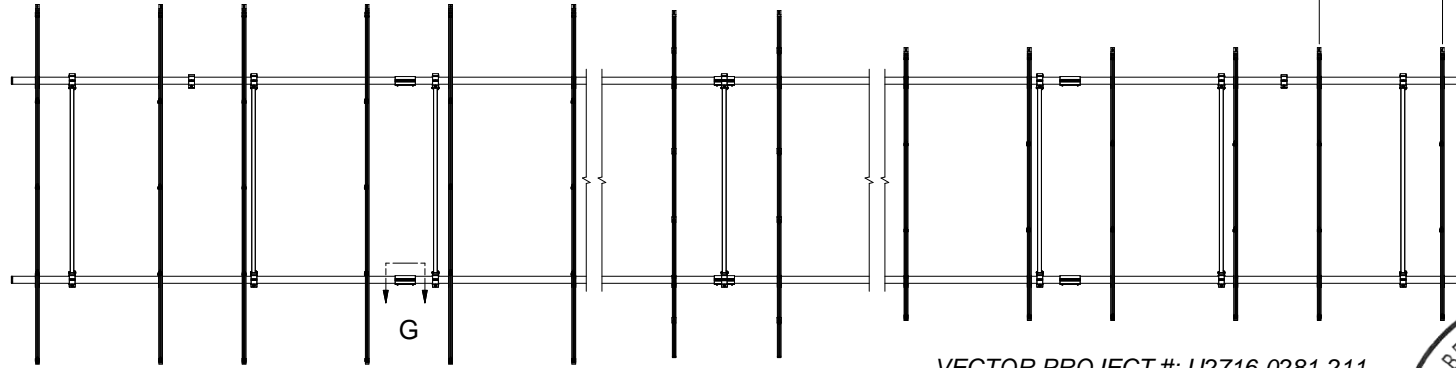
THIS DRAWING IS CONFIDENTIAL PROPERTY OF SUNMODO AND ITS CONTENTS MAY NOT BE DISCLOSED WITHOUT THE PRIOR WRITTEN CONSENT OF SUNMODO CORP.

NOTES:
 1. DIMENSIONS LABELED AS MAX ARE MAXIMUM ALLOWABLE
 AND MAY RESULT IN END POSTS BEING OUTSIDE ARRAY EDGES.
 MAXIMUM DIMENSIONS MAY BE REDUCED IF DESIRED.

RAIL SPACING
 LANDSCAPE: PER PANEL MANUFACTURER
 PORTRAIT: PANEL WIDTH + 0.25"



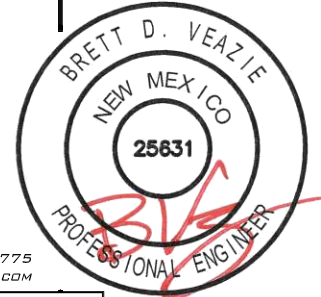
DETAIL G



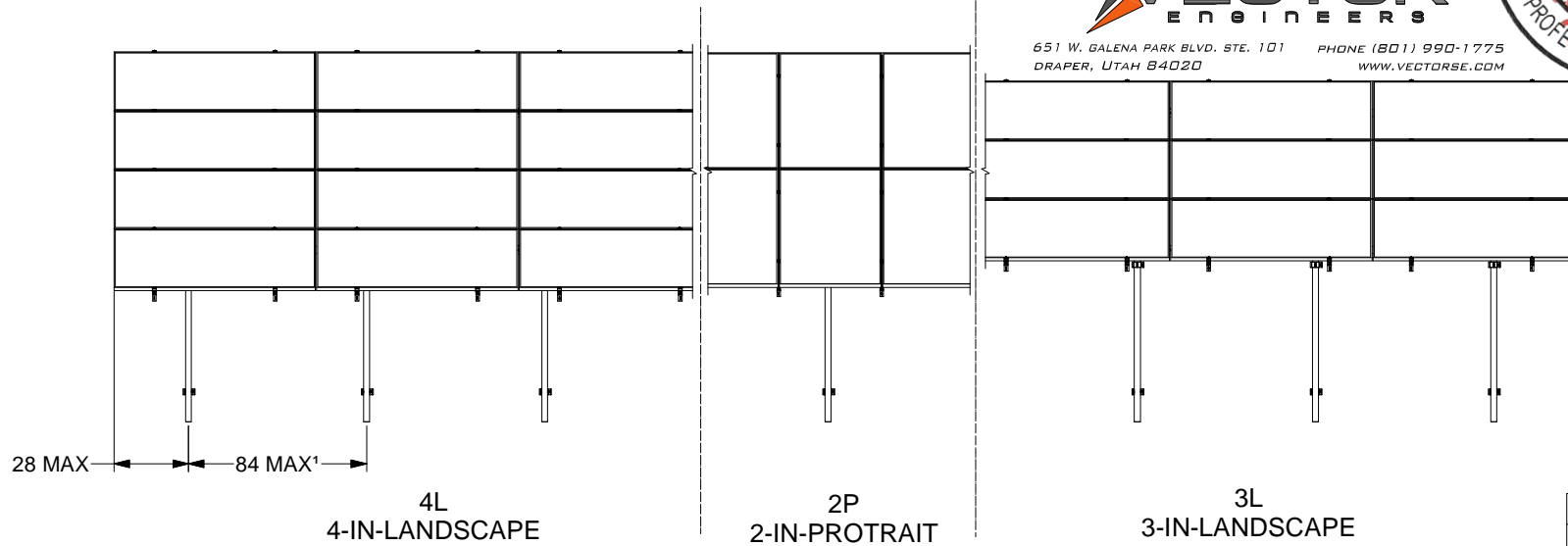
VECTOR PROJECT #: U2716-0281-211

STRUCTURAL ONLY
VECTOR
 ENGINEERS

651 W. GALENA PARK BLVD. STE. 101 DRAPER, UTAH 84020
 PHONE (801) 990-1775 WWW.VECTORSE.COM



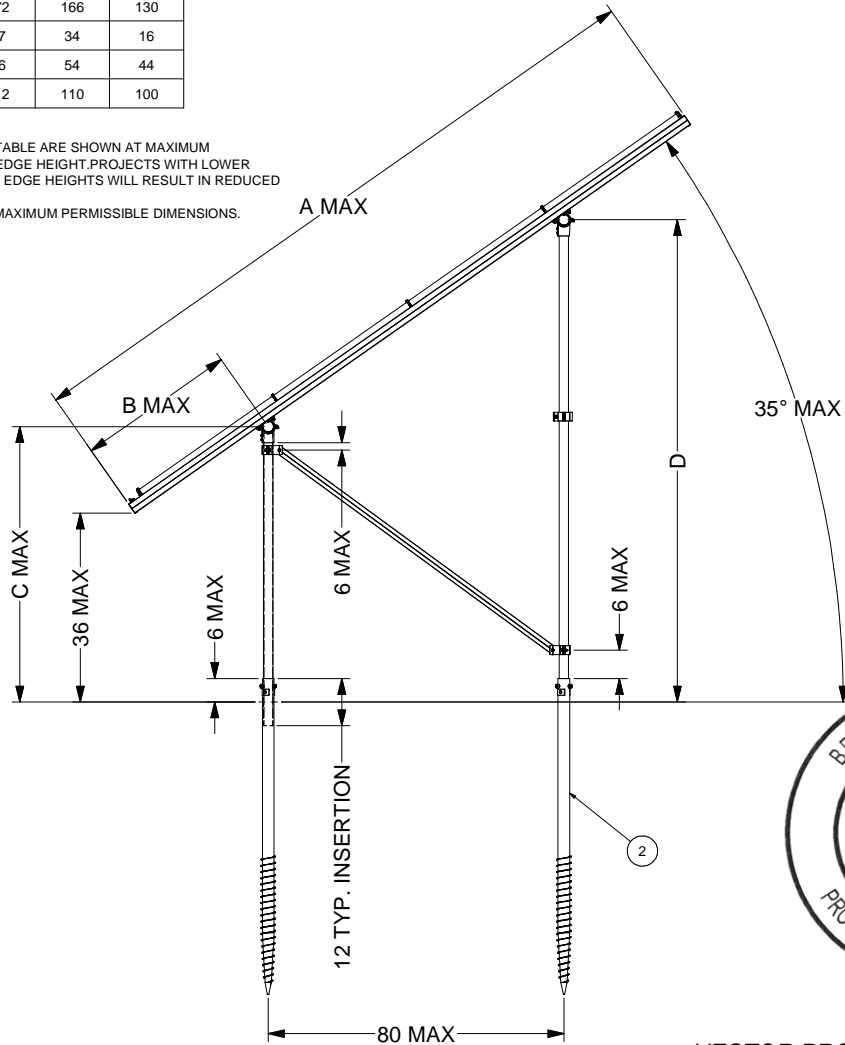
02/18/2021



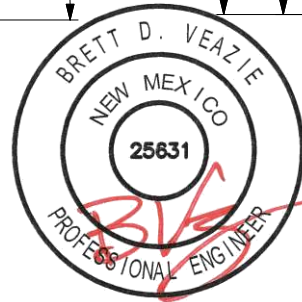
SunModo Corp.	
TITLE	PACKET A10
D	DRAWING NUMBER
SCALE:	SHEET 2 of 4 REV

DIMENSIONS			
ITEM	4L	2P	3L
A	172	166	130
B	37	34	16
C	56	54	44
D	112	110	100

NOTES
 1. DIMENSIONS IN TABLE ARE SHOWN AT MAXIMUM TILT & LEADING EDGE HEIGHT. PROJECTS WITH LOWER TILTS & LEADING EDGE HEIGHTS WILL RESULT IN REDUCED DIMENSIONS.
 2. MAX DENOTES MAXIMUM PERMISSIBLE DIMENSIONS.



GROUND SCREW GROUND MOUNT (GSM)

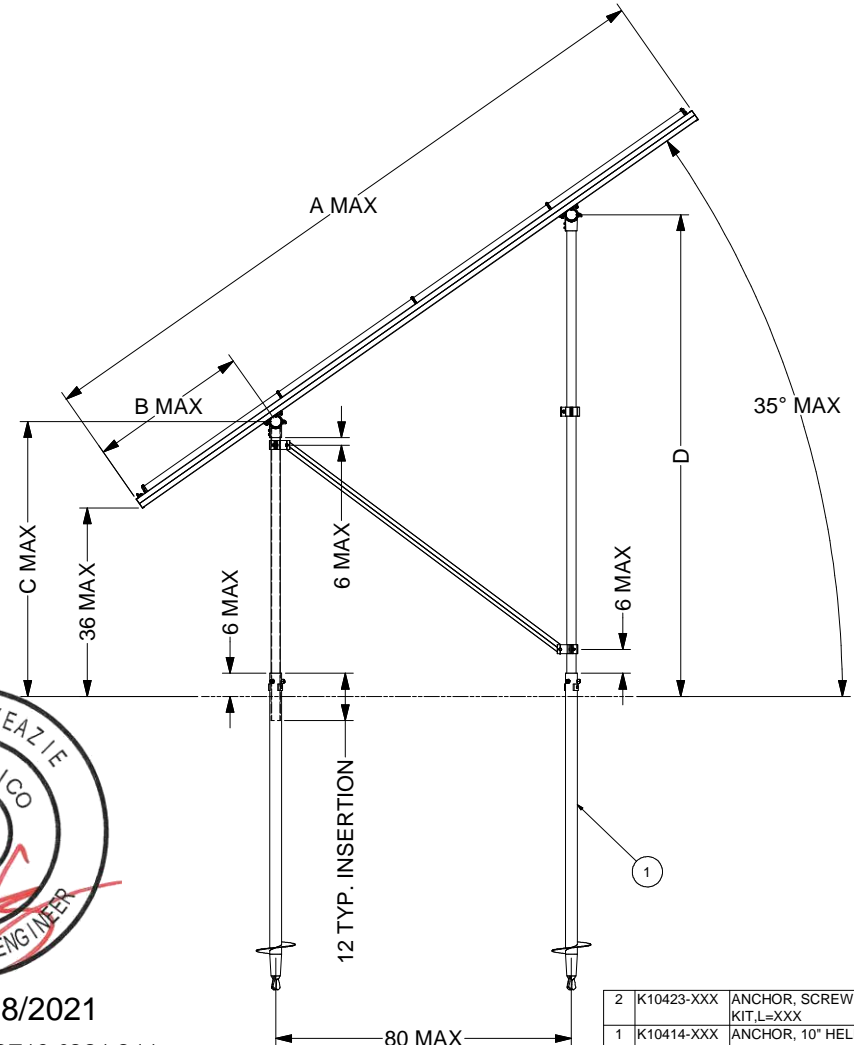


02/18/2021

VECTOR PROJECT #: U2716-0281-211



651 W. GALENA PARK BLVD. STE. 101 DRAPER, UTAH 84020 PHONE (801) 990-1775 WWW.VECTORSE.COM

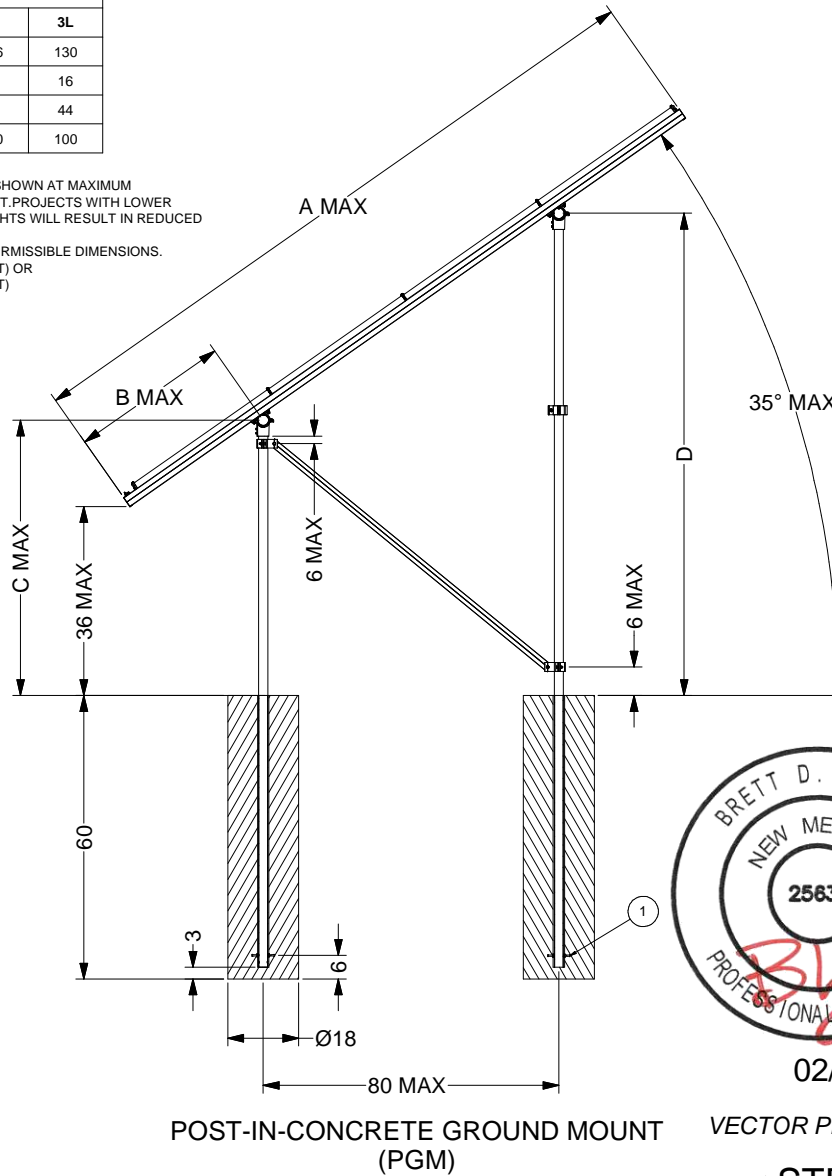


AUGER GROUND MOUNT (AGM)

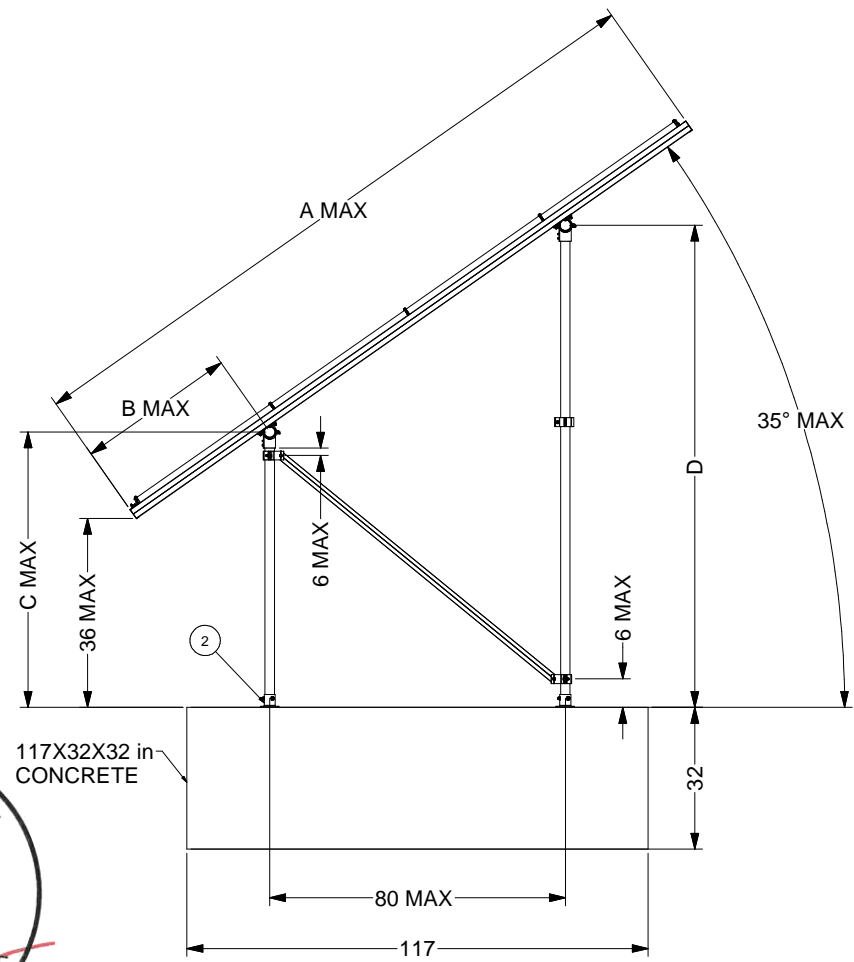
2	K10423-XXX	ANCHOR, SCREW AUGER KIT, L=XXX	
1	K10414-XXX	ANCHOR, 10" HELIX SCREW AUGER, L=XXX	
ITEM	PART NUMBER	DESCRIPTION	QTY
SunModo Corp.			
TITLE: PACKET A10			
D DRAWING NUMBER			
SCALE:		SHEET 3 of 4	REV

DIMENSIONS			
ITEM	4L	2P	3L
A	172	166	130
B	37	34	16
C	56	54	44
D	112	110	100

- NOTES**
1. DIMENSIONS IN TABLE ARE SHOWN AT MAXIMUM TILT & LEADING EDGE HEIGHT. PROJECTS WITH LOWER TILTS & LEADING EDGE HEIGHTS WILL RESULT IN REDUCED DIMENSIONS.
 2. MAX DENOTES MAXIMUM PERMISSIBLE DIMENSIONS.
 3. K10268-005 (2" PIPE BASE KIT) OR K10302-001 (2" PIPE BASE KIT)



POST-IN-CONCRETE GROUND MOUNT (PGM)



BALLAST GROUND MOUNT (BGM)



02/18/2021

VECTOR PROJECT #: U2716-0281-211



651 W. GALENA PARK BLVD. STE. 101 DRAPER, UTAH 84020 PHONE (801) 990-1775 WWW.VECTORSE.COM

2		POST BASE. VARIES PER NOTE	
3		EMBEDDED 2.0" PIPE CLAMP KIT	
1	K10186-001	EMBEDDED 2.0" PIPE CLAMP KIT	
ITEM	PART NUMBER	DESCRIPTION	QTY
SunModo Corp.			
TITLE: PACKET A10			
D: DRAWING NUMBER			
SCALE:		SHEET 4 of 4	REV