

**NOTES: UNLESS OTHERWISE SPECIFIED**

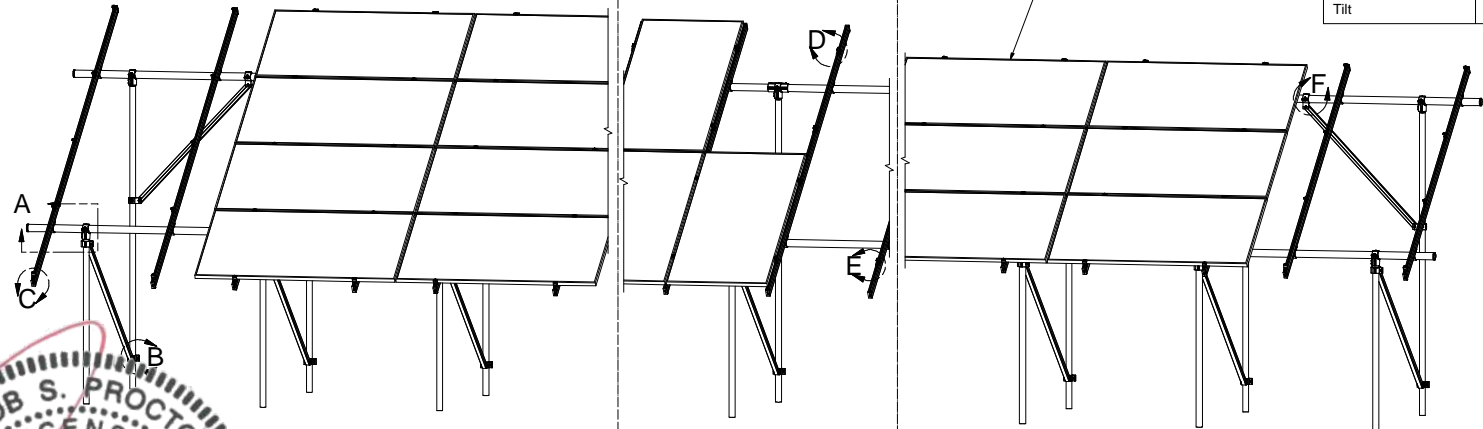
- THIS DRAWING IS NOT FOR CONSTRUCTION UNTIL ENGINEERING HAS REVIEWED AND STAMPED THIS DOCUMENT.
- DIMENSIONS SHOWN ARE INCHES.
- THE SELF-BONDING SYSTEM AND SINGLE GROUND LUG IS FOR USE WITH PV MODULES THAT HAVE A MAXIMUM SERIES FUSE RATING OF 30A.
- MATERIALS ARE AS SPECIFIED OR EQUIVALENT:  
HARDWARE: 304 STAINLESS STEEL  
FABRICATED EXTRUDED PARTS: 6005-T5 ALUMINUM ALLOY  
FABRICATED DIE CAST PARTS: ANSI/AA A380 ALUMINUM ALLOY  
STEEL PIPE: SCHEDULE 40 GALVANIZED  
ALUMINUM PIPE: SCHEDULE 10 ANODIZED
- THE MAXIMUM PERMISSIBLE LENGTH OF ANY STRUCTURE SHALL BE 200 FT. FOR SYSTEMS USING A SHARED RAIL CONFIGURATION, A THERMAL BREAK IS REQUIRED IN THE RAIL EVERY 40 FT. PER THE DRAWING DETAILS.
- 4LXN-3LXN-2PXN-20DEG-GSM-AGM-BGM-PGM.
- APPROVED RAIL PROFILES  
A20288-XXX (HR300 RAIL), A20297-001 (END CAP), K10343-002 (U-CLAMP KIT),  
A20145-XXX (HR350 RAIL), A20285-001 (END CAP), K10343-001 (U-CLAMP KIT),  
A20144-XXX (HR250 RAIL), A20284-001 (END CAP), K10343-001 (U-CLAMP KIT).
- K10224-XXX END CLAMP KIT OR K10299-XXX ADJ. END CLAMP KIT.
- FOUNDATION TYPES:  
GSM = GROUND SCREW GROUND MOUNT  
AGM = HELICAL AUGER GROUND MOUNT  
PGM = POST-IN-CONCRETE GROUND MOUNT  
BSM = BALLAST GROUND MOUNT



651 W. GALENA PARK BLVD. STE. 101 DRAPER, UTAH 84020  
PHONE (801) 990-1775  
WWW.VECTORSE.COM

Packet D3

Model Code	ASCE 7-16
Exposure Category	C AND LOWER
Wind Speed	170 mph and Lower
Ground Snow Load	0 PSF and Lower
Tilt	20 DEG and Lower

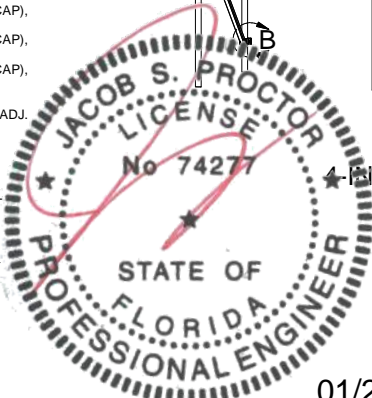


**4L LANDSCAPE**

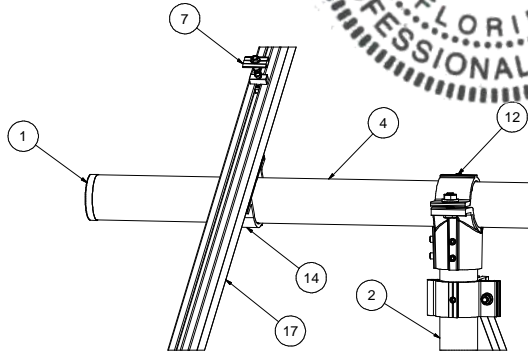
**2P 2-IN-PROTRAIT**

**3L 3-IN-LANDSCAPE**

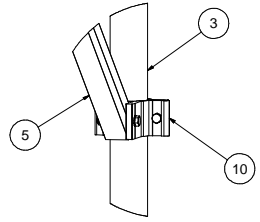
Firm License Number: COA 26626  
VSE Project Number: U2716-0276-211



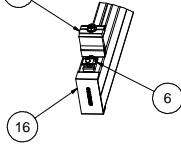
**STRUCTURAL ONLY**



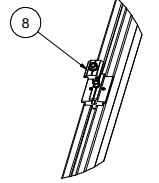
DETAIL A



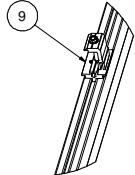
DETAIL B



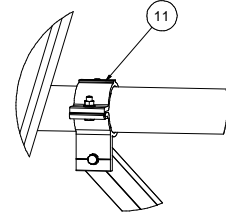
DETAIL C



DETAIL D



DETAIL E



DETAIL F

ITEM	PART NUMBER	DESCRIPTION	QTY
18		PANEL	
17		HELIO RAIL, VARIES PER NOTE 7	
16		HELIO RAIL END CAP, VARIES PER NOTE 7	
15		END CLAMP KIT, VARIES PER NOTE 8	
14	K10343-001	2.5" AL PIPE U-BOLT KIT	
13	K10342-001	2.5" PIPE SPLICE KIT	
12	K10341-001	2.5" PIPE TEE KIT	
11	K10222-001	2.5" PIPE CLAMP KIT	
10	K10219-001	2" AL PIPE CLAMP KIT	
9	K10183-XXX	LANDSCAPE GROUNDING END CLAMP KIT	
8	K10182-001	LANDSCAPE GROUNDING MID CLAMP KIT	
7	K10180-001	GROUNDING MID-CLAMP KIT WITH T COLLAR BOLT AND GROUNDING BASE	
6	K10179-001	SELF-GROUNDING LUG KIT	
5	A50164-XXX	1.5" SQ. STL TUBE BRACE, L=XXX	
4	A21168-XXX	PIPE, HSS, 2.875" OD X 12 GAUGE, L=XXX	
3	A21165-XXX (REAR)	PIPE, HSS, 2.375" OD X 12 GAUGE, L=XXX	
2	A21165-XXX (FRONT)	PIPE, HSS, 2.375" OD X 12 GAUGE, L=XXX	
1	A20380-001	2.5" PIPE END CAP	

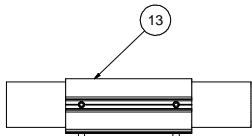
SEE BOM  
Third Angle Projection  
PREFERRED UNITS (Inches)  
DIMENSIONS IN PARENTHESES  
UNLESS OTHERWISE SPECIFIED  
SCALE: AS SHOWN  
DATE: 01/22/2021  
CHECKED BY: KVV

**SunModo Corp.**  
14800 NE 65TH STREET, VANCOUVER WA 98662  
TITLE: PACKET D3  
DRAWING NUMBER: D  
SCALE: SHEET 1 of 4

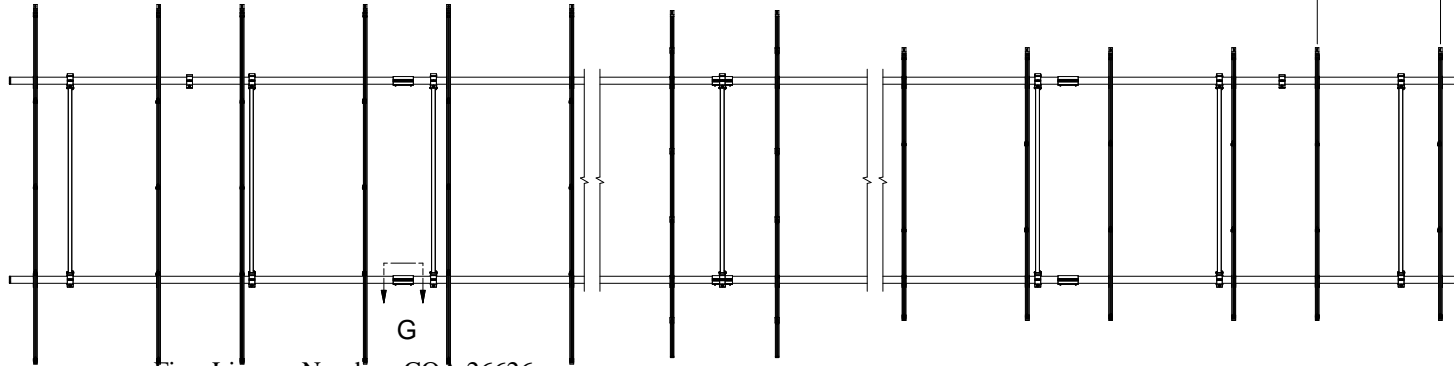
THIS DRAWING IS CONFIDENTIAL PROPERTY OF SUNMODO AND ITS CONTENTS MAY NOT BE DISCLOSED WITHOUT THE PRIOR WRITTEN CONSENT OF SUNMODO CORP.

**NOTES:**  
 1. DIMENSIONS LABELED AS MAX ARE MAXIMUM ALLOWABLE  
 AND MAY RESULT IN END POSTS BEING OUTSIDE ARRAY EDGES.  
 MAXIMUM DIMENSIONS MAY BE REDUCED IF DESIRED.

**RAIL SPACING**  
 LANDSCAPE: PER PANEL MANUFACTURER  
 PORTRAIT: PANEL WIDTH + 0.25"



DETAIL G

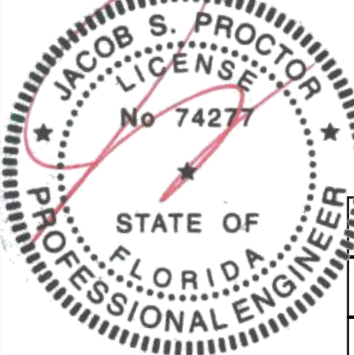


Firm License Number: COA 26626

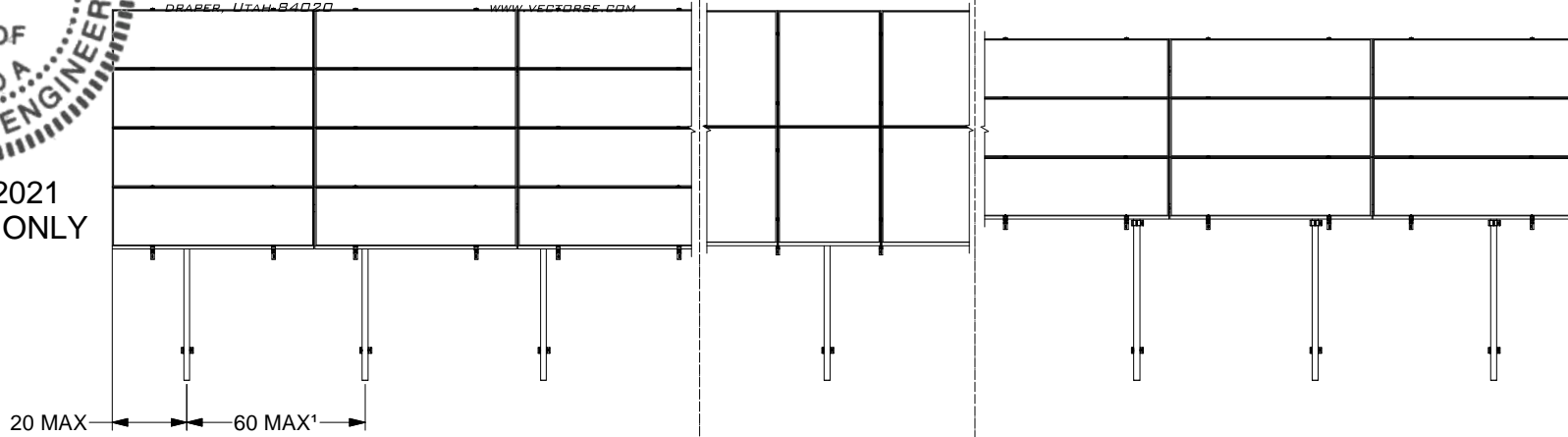
VSE Project Number: U2716-0276-211



651 W. GALENA PARK BLVD. STE. 101 PHONE (801) 990-1775  
 DRAPER, UTAH 84020 WWW.VECTORSE.COM



01/22/2021  
 STRUCTURAL ONLY



4L  
 4-IN-LANDSCAPE

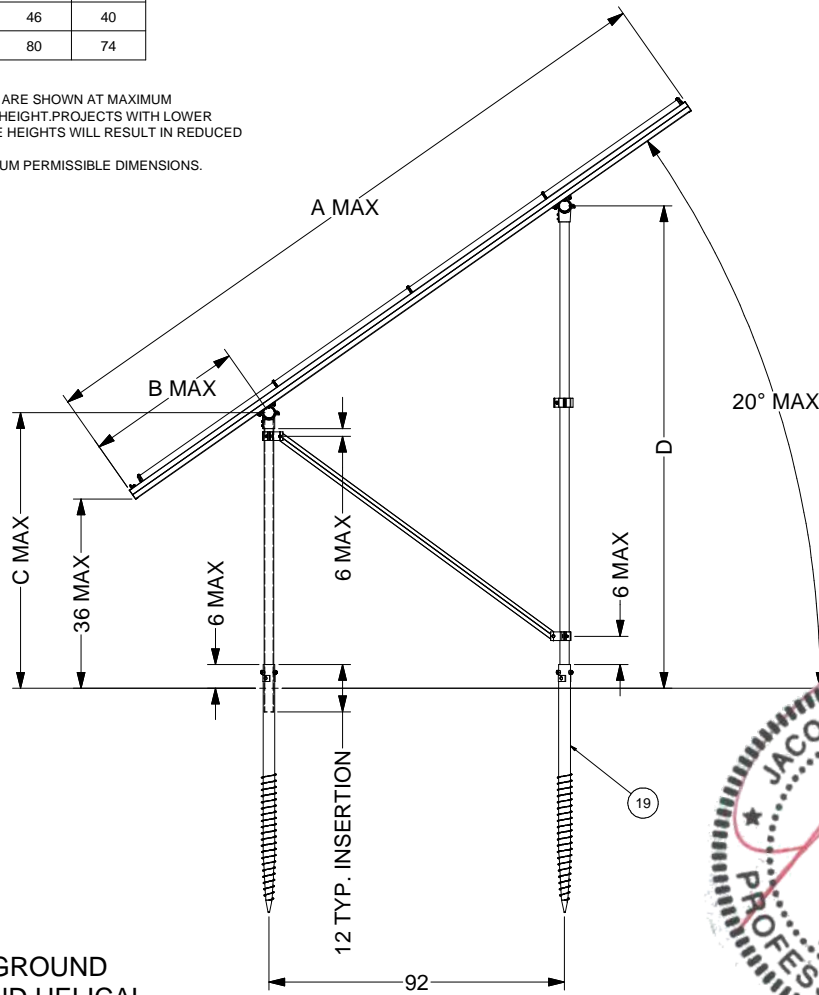
2P  
 2-IN-PROTRAIT

3L  
 3-IN-LANDSCAPE

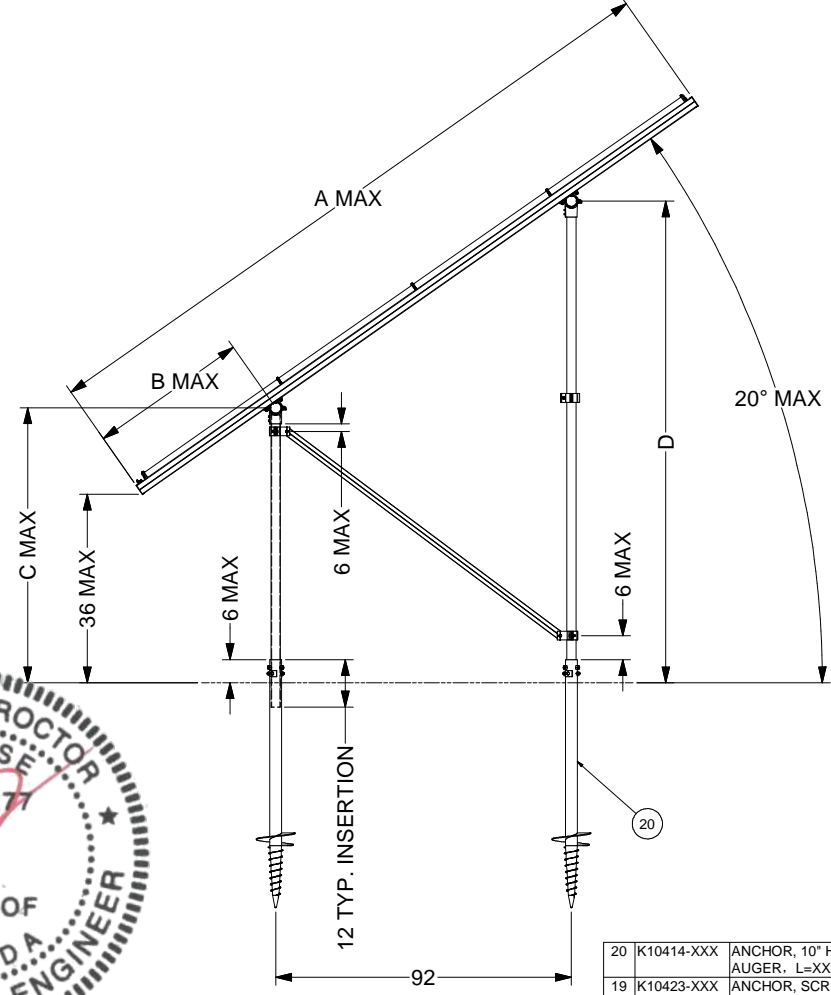
<b>SunModo Corp.</b>	
TITLE	PACKET D3
D	DRAWING NUMBER
SCALE:	SHEET 2 of 4 REV

DIMENSIONS			
ITEM	4L	2P	3L
A	172	166	130
B	36	34	16
C	45	46	40
D	79	80	74

**NOTES**  
 1. DIMENSIONS IN TABLE ARE SHOWN AT MAXIMUM TILT & LEADING EDGE HEIGHT. PROJECTS WITH LOWER TILTS & LEADING EDGE HEIGHTS WILL RESULT IN REDUCED DIMENSIONS.  
 2. MAX DENOTES MAXIMUM PERMISSIBLE DIMENSIONS.

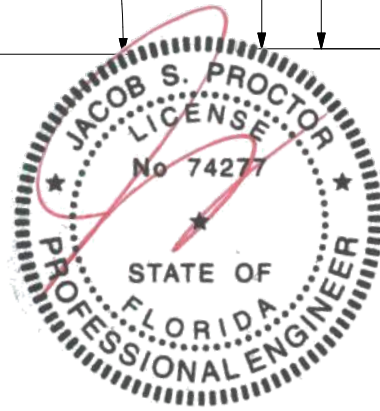


GROUND SCREW GROUND MOUNT (GSM)



AUGER GROUND MOUNT (AGM)

DEPTH OF GROUND SCREWS AND HELICAL PIERS MUST BE VERIFIED BY TESTING. SEE STRUCTURA LETTER



01/22/2021  
 STRUCTURAL ONLY

Firm License Number: COA 26626  
 VSE Project Number: U2716-0276-211

ITEM	PART NUMBER	DESCRIPTION	QTY
20	K10414-XXX	ANCHOR, 10" HELIX SCREW AUGER, L=XXX	
19	K10423-XXX	ANCHOR, SCREW AUGER KIT, L=XXX	

**SunModo Corp.**

TITLE: PACKET D3

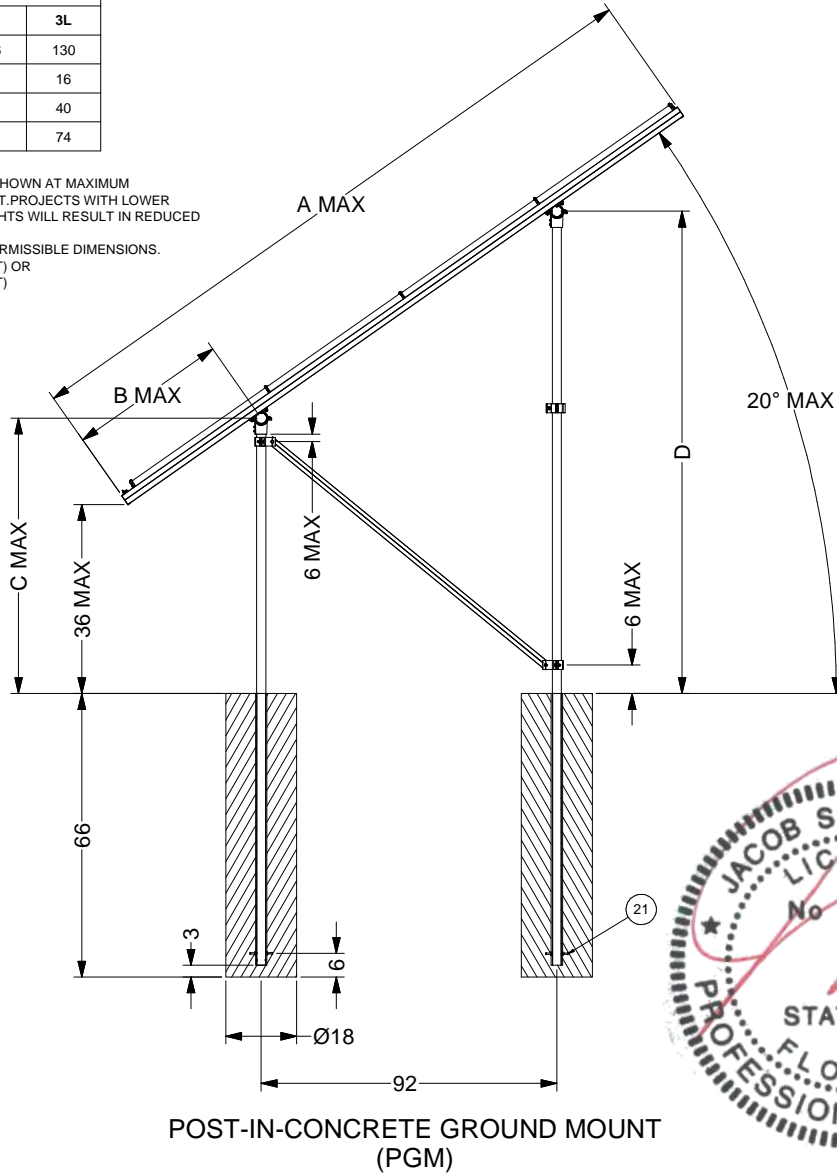
DRAWING NUMBER: D

SCALE: SHEET 3 of 4 REV

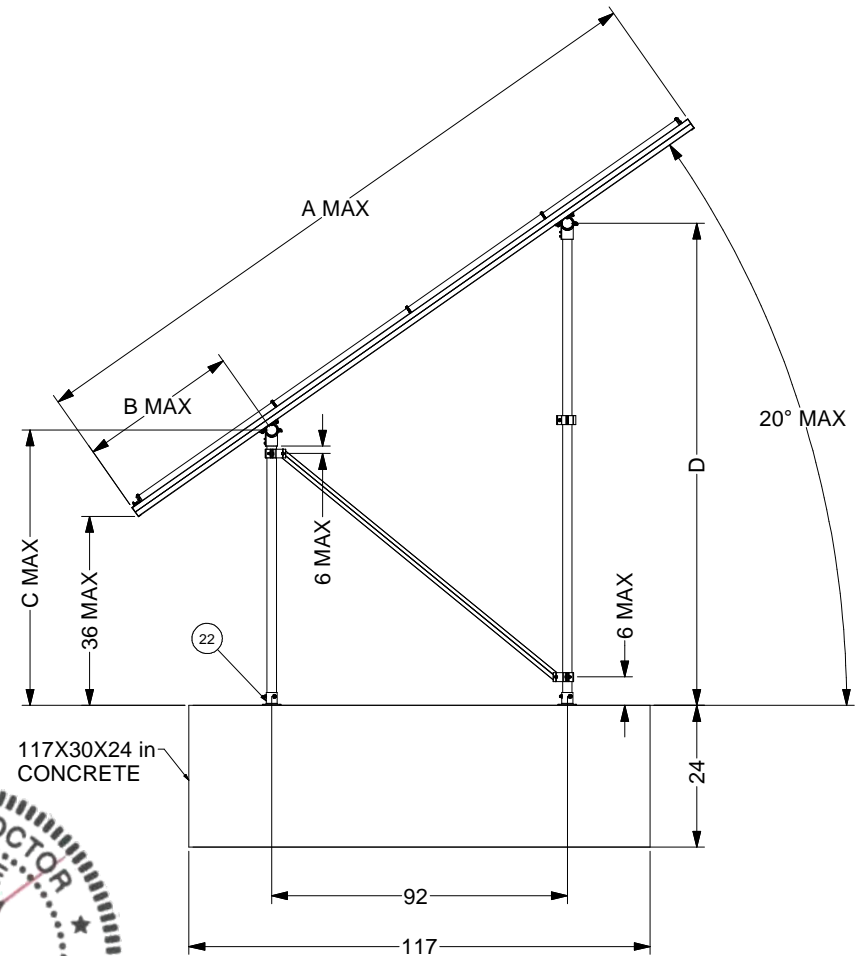


DIMENSIONS			
ITEM	4L	2P	3L
A	172	166	130
B	36	34	16
C	45	46	40
D	79	80	74

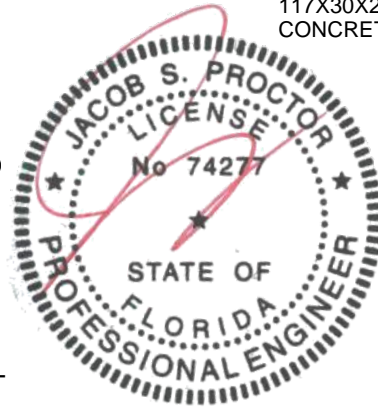
- NOTES**
1. DIMENSIONS IN TABLE ARE SHOWN AT MAXIMUM TILT & LEADING EDGE HEIGHT. PROJECTS WITH LOWER TILTS & LEADING EDGE HEIGHTS WILL RESULT IN REDUCED DIMENSIONS.
  2. MAX DENOTES MAXIMUM PERMISSIBLE DIMENSIONS.
  3. K10268-005 (2" PIPE BASE KIT) OR K10302-001 (2" PIPE BASE KIT)



POST-IN-CONCRETE GROUND MOUNT (PGM)



BALLAST GROUND MOUNT (BGM)



01/22/2021

STRUCTURAL ONLY

Firm License Number: COA 26626  
VSE Project Number: U2716-0276-211

22		POST BASE. VARIES PER NOTE	
3			
21	K10186-001	EMBEDDED 2.0" PIPE CLAMP KIT	
ITEM	PART NUMBER	DESCRIPTION	QTY
<b>SunModo Corp.</b>			
TITLE: PACKET D3			
D: DRAWING NUMBER			
SCALE: SHEET 4 of 4 REV			

