

November 2, 2020

Attn: Mr. Peter Abou Chacra
SunModo
14800 NE 65th St.
Vancouver, WA 98682

RE: SunModo – SMR100 Rail
PV Panel Racking System
State of Utah Certification Letter

SEI Project No.: 19498.00

Dear Mr. Abou Chacra:

Structural Enginuity Inc. (SEI) has completed its review of the SunModo – SMR100 Rail System for typical installations of solar PV panels in the state of Utah. The SMR100 Rail is compliant with the sections of the following A design references and codes when installed per the conditions and design criteria delineated herein.

Design References and Codes:

- ASCE 7-16 – Minimum Design Loads for Buildings and Other Structures
- 2015 Aluminum Design Manual, by the Aluminum Association
- Materials information and section and details provided by SunModo as appendages to this letter
- 2018 International Building Code
- AC428, Acceptance Criteria for Modular Framing Systems Used to Support Photovoltaic (PV) Modules, November 2012 by ICC-ES

General Mounting System and Analysis Overview:

The SMR100 Rail consists of 6005-T5 (acceptable alternative materials include 6005A-T61 and 6061-T6) extruded aluminum per ASTM B221-08. The rails are used in pairs to support photovoltaic solar panels in order to span between points of attachment to the existing roof structure. The following tables and information summarize the structural analysis performed by SEI in order to certify the SMR100 Rail for the state noted above.

The analysis for certification included the following parameters for each rail system.

SMR100 Rail:

- Risk Category II
- Roof Slopes up to 45 degrees
- Portrait & Landscape orientation of photovoltaic panels
- Max Module Dimensions = Varies, see tables
- Max Mean Roof Height = Varies, see tables (If roof slope < 10°, use eave height)

1815 W. Diehl Rd, Suite 100, Naperville, IL 60563
630-219-1997 (P)
www.structuralenginuityinc.com

- Wind Analysis:
 - o Wind Category: B, C, and D
 - o Roof Zones varies based on roof slope (See Tables)
 - o Wind Directionality Factor (Kd) = 0.85
 - o Topographic Factor (Kzt) = 1
 - o Ground Elevation Factor (Ke): See table below
- Snow Analysis:
 - o Snow Exposure Factor (Ce) = 1.0
 - o Thermal Factor (Ct) = 1.0
 - o Slope Factor (Cs) per ASCE 7-16, Figure 7.4-1
 - o Importance Factor (Is) = 1
- Seismic Analysis:
 - o Seismic Design Category E or less (Sds = 2.0 max)
 - o Importance Factor (Ip) = 1
 - o Amplification Factor (ap) = 1.0 per ICC-AC428
 - o Component Response Modification Factor (Rp) = 1.5 per ICC-AC 428

Per ASCE 7-16, for locations above sea level, an additional Ground Elevation Factor may be accounted for. The provided tables take this into account by allowing the Wind Speed to be adjusted by a Wind Speed Velocity Multiplier as follows:

Wind Speed Velocity Multiplier based on Ground Elevation Factor (ASCE 7-16, Table 26.9-1)

Ground Elevation above Sea Level (ft), Z_g	Ground Elevation Factor, K_e	Wind Speed Velocity Multiplier, $\text{Sqrt}(K_e)$
0	1.00	1.00
1,000	0.96	0.98
2,000	0.93	0.96
3,000	0.90	0.95
4,000	0.86	0.93
5,000	0.83	0.91
6,000	0.80	0.89

Notes:

1. The Wind Speed Velocity Multiplier shall be determined from the above table using interpolation or from the following formula for all elevations:

$$\text{Sqrt}(K_e) = \text{Sqrt}(e^{-0.0000362 \cdot Z_g})$$
2. The Wind Speed Velocity Multiplier is permitted to be taken as 1.00 in all cases.
3. The wind speed in the project's region shall be multiplied by Wind Speed Velocity Multiplier. The resulting wind speed shall be rounded up to the nearest value provided in the span tables.
4. No interpolation between wind speeds is permitted.
5. Refer to ASCE 7-16 for additional information about the ground elevation factor and its use in determining velocity pressure per Equation 26.10-1.

ASCE 7-16 has several additional roof zones than previous codes. The zones are outlined in the code and diagrams have been provided below to show wind zone locations

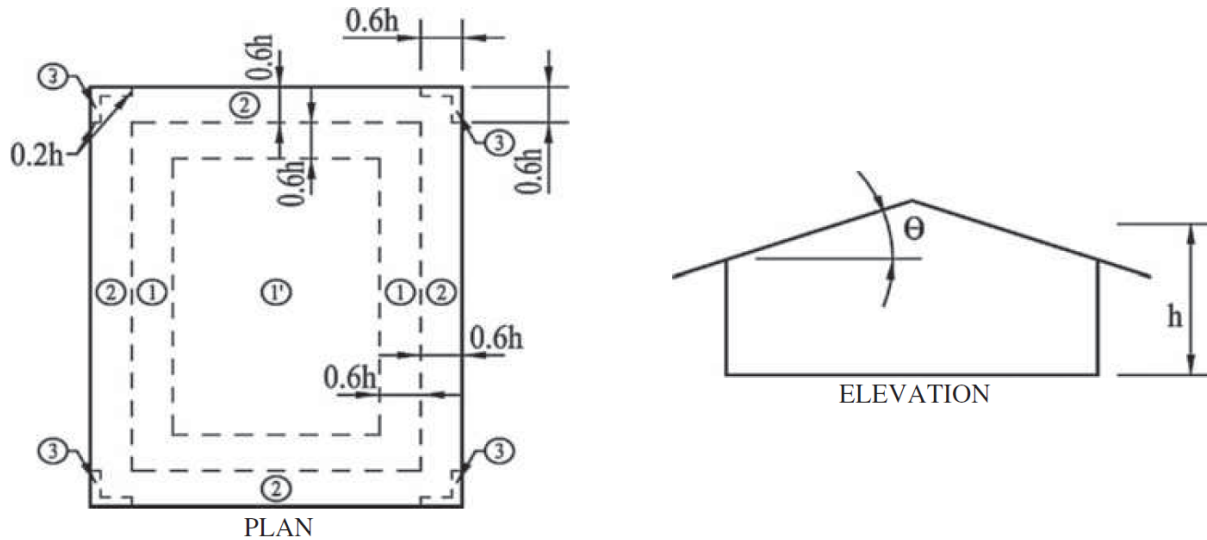


Figure 1: Roof Zones for Gable Roof Slopes Between 0 and 7 degrees

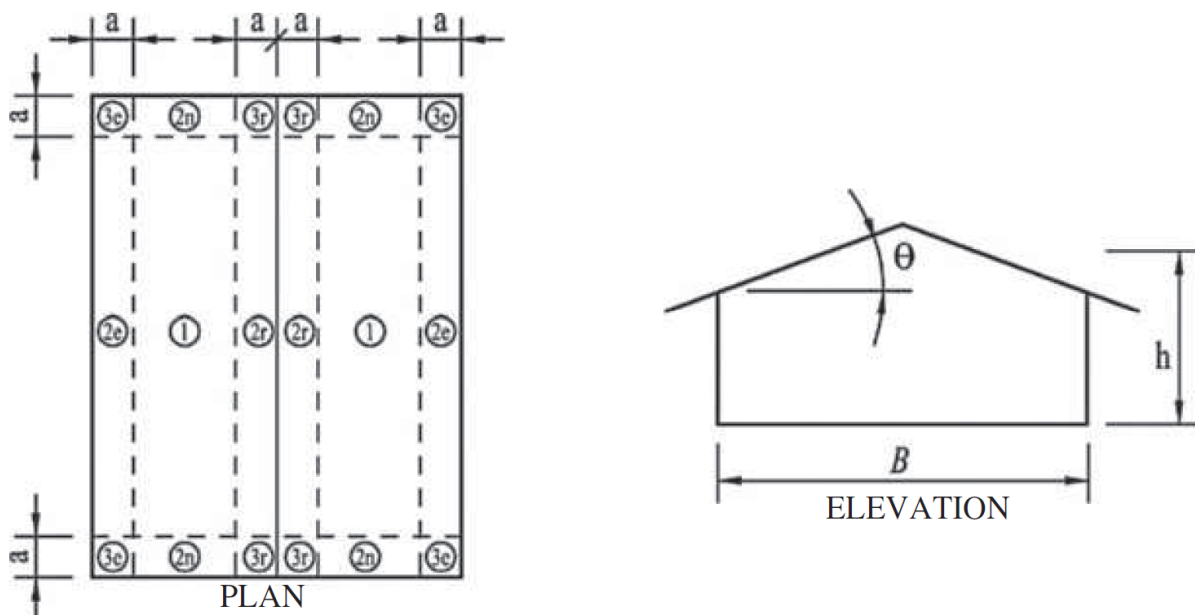


Figure 2: Roof Zones for Gable Roof Slopes Between 7 and 45 degrees

a = 10% of least horizontal dimension or 0.4h, whichever is smaller, but not less than either 4% of least horizontal dimension or 3 ft. If an overhang exists, the edge distance shall be measured from the outside edge of the overhang. The horizontal dimensions used to compute the edge distance shall not include the overhang distance.

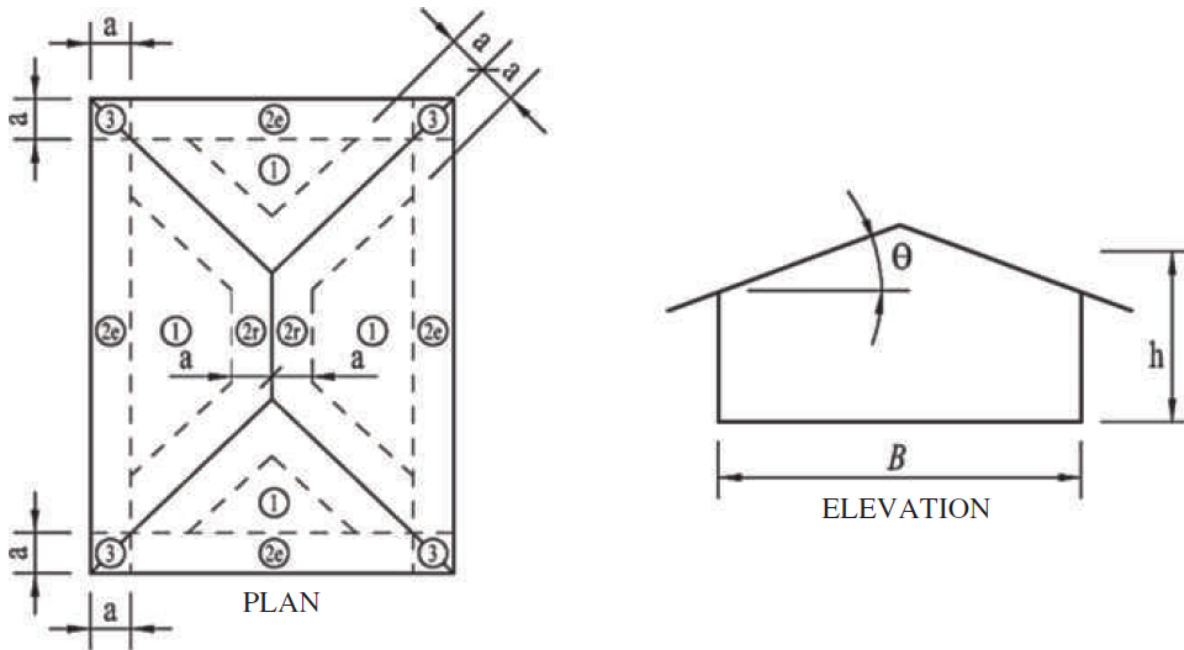


Figure 3: Roof Zones for Hip Roof Slopes Between 7 and 45 degrees

$a = 10\%$ of least horizontal dimension or $0.4h$, whichever is smaller, but not less than either 4% of least horizontal dimension or 3 ft. If an overhang exists, the edge distance shall be measured from the outside edge of the overhang. The horizontal dimensions used to compute the edge distance shall not include the overhang distance.

For Hip Roofs with a roof slope between 7 and 20 degrees, tables are broken up between buildings with a height to width ratio (h/B) greater than 0.8 or less than 0.5 . If the building the array is being mounted on falls between these values, compare both tables and choose the higher value.

Panels can be categorized as exposed or non-exposed based on their location within an array with exposed panels requiring the design wind load acting on them to be multiplied by an additional edge factor. Exposed panels are defined as panels within a distance of 1.5 times the panel chord length when the distance from the edge of the array to the roof edge is greater than 0.5 times the mean roof height and if either d_1 to an adjacent array is greater than 4 ft or d_2 to the next adjacent panel is greater than 4 ft as shown in Figure 4.

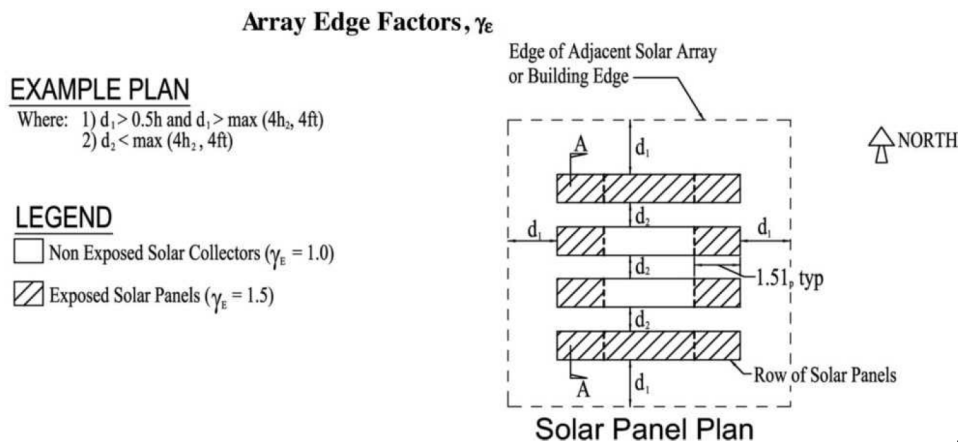



Figure 4: Array Edge Factors

Applicable loading combinations consisting of dead, wind, snow, and seismic loads in accordance with the governing code requirements were used to determine allowable rail span lengths, based on bending stress capacity, shear capacity, axial capacity, and an assumption of a single-span condition with an allowable deflection of $L/60$. Design wind pressures were determined using Components and Cladding calculations per ASCE 7-16, Chapters 26-30 in conjunction with the loading parameters noted above. Applicable roof snow load shall be based on ground snow load maps, equations, and factors of ASCE 7-16, Chapter 7 and applicable sections of the 2018 International Building Code for the location of the project in combination with the loading parameters noted above.

It should be noted that the analysis was limited to the capacity of the SMR100 Rail. Attachments of the rail to the roof structure and analysis of the roof structure itself shall be the responsibility of the installer and should be reviewed and approved by a registered design professional where required by the local authority having jurisdiction.

Installation Notes:

The SMR100 Rail shall be installed with the following guidelines to be in compliance with attached span tables:

- Tables noted below assume two support rails are being used per each row of photovoltaic modules in a roof solar array.
- Rails shall be continuous and not spliced over a minimum of 2 supports except for span lengths shaded with . In these cases it is acceptable to use a minimum of 1 support per rail section as long as all supports are located at a maximum of 48" on center and the first and last rail sections have a minimum of 2 supports. Splices shall be made with SunModo's structural splice.
- System shall be mounted parallel to roof surface with a 2" to 10" gap between roof surface and bottom of module.
- Installation over roof overhangs or within 10" of any roof edge is not recommended
- Maximum end cantilever of aluminum support rail shall not exceed 1/3 of allowable span in the roof wind pressure zone of the cantilever.
- Tables attached are limited to structural capability of the support rails only; therefore, observe all local jurisdiction requirements regarding roof setback requirements when laying out support rails and solar array.
- Actual span lengths used must be within capacity of roof attachment and structural capacity of roof member supporting solar array.

Conclusion and Certification Summary:

Based on the structural analysis performed by SEI in regard to the loading parameters specified above for SMR100 Rail, the following Span Tables for the SunModo SMR100 Rail System were determined. The various span information is controlled by the applicable wind and snow loads to the structure to which the array is being mounted on the roof and based on the roof zone to which the array is installed on the roof. The tables allow for multiple panel sizes and orientations as outlined in the table of contents and on the headers of each table. The tables are organized as follows for each loading condition:

Table A: Non-exposed panels

Table B: Exposed panels

This letter is to certify that the loading criteria and design basis used for the structural analysis of the SMR100 Rail PV Panel Racking System for the span tables attached is validated and performed in compliance with the applicable design codes noted previously.

Please contact our office if you have any further questions relating to this matter.

Sincerely,

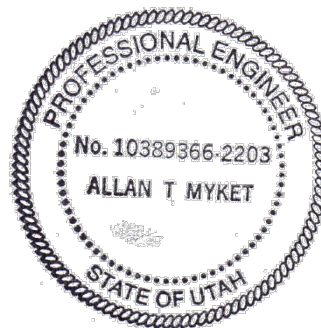


Peter Martin
Engineer III
pmartin@structuralenginuityinc.com



Allan T. Myket, P.E.
President/Founder
amyket@structuralenginuityinc.com

Structural Enginuity Inc.



11/18/2020

Table of Contents

60 Cell Module (Portrait Orientation, Max Length 67.5")	C1-C96
Mean Roof Height Less Than 15 Feet	
-Gable Roof, Roof Slope Between 0 and 7 degrees	C1-C6
-Gable Roof, Roof Slope Between 7 and 20 degrees	C7-C12
-Gable Roof, Roof Slope Between 20 and 27 degrees	C13-C18
-Gable Roof, Roof Slope Between 27 and 45 degrees	C19-C24
-Hip Roof, Roof Slope Between 7 and 20 degrees ($h/B \geq 0.8$)	C25-C30
-Hip Roof, Roof Slope Between 7 and 20 degrees ($h/B \leq 0.5$)	C31-C36
-Hip Roof, Roof Slope Between 20 and 27 degrees	C37-C42
-Hip Roof, Roof Slope Between 27 and 45 degrees	C43-C48
Mean Roof Height Between 15 and 30 Feet	
-Gable Roof, Roof Slope Between 0 and 7 degrees	C49-C54
-Gable Roof, Roof Slope Between 7 and 20 degrees	C55-C60
-Gable Roof, Roof Slope Between 20 and 27 degrees	C61-C66
-Gable Roof, Roof Slope Between 27 and 45 degrees	C67-C72
-Hip Roof, Roof Slope Between 7 and 20 degrees ($h/B \geq 0.8$)	C73-C78
-Hip Roof, Roof Slope Between 7 and 20 degrees ($h/B \leq 0.5$)	C79-C84
-Hip Roof, Roof Slope Between 20 and 27 degrees	C85-C90
-Hip Roof, Roof Slope Between 27 and 45 degrees	C91-C96
72 Cell Module (Portrait Orientation, Max Length 82")	C97-C192
Mean Roof Height Less Than 15 Feet	
-Gable Roof, Roof Slope Between 0 and 7 degrees	C97-C102
-Gable Roof, Roof Slope Between 7 and 20 degrees	C103-C108
-Gable Roof, Roof Slope Between 20 and 27 degrees	C109-C114
-Gable Roof, Roof Slope Between 27 and 45 degrees	C115-C120
-Hip Roof, Roof Slope Between 7 and 20 degrees ($h/B \geq 0.8$)	C121-C126
-Hip Roof, Roof Slope Between 7 and 20 degrees ($h/B \leq 0.5$)	C127-C132
-Hip Roof, Roof Slope Between 20 and 27 degrees	C133-C138
-Hip Roof, Roof Slope Between 27 and 45 degrees	C139-C144
Mean Roof Height Between 15 and 30 Feet	
-Gable Roof, Roof Slope Between 0 and 7 degrees	C145-C150
-Gable Roof, Roof Slope Between 7 and 20 degrees	C151-C156
-Gable Roof, Roof Slope Between 20 and 27 degrees	C157-C162
-Gable Roof, Roof Slope Between 27 and 45 degrees	C163-C168
-Hip Roof, Roof Slope Between 7 and 20 degrees ($h/B \geq 0.8$)	C169-C174
-Hip Roof, Roof Slope Between 7 and 20 degrees ($h/B \leq 0.5$)	C175-C180
-Hip Roof, Roof Slope Between 20 and 27 degrees	C181-C186
-Hip Roof, Roof Slope Between 27 and 45 degrees	C187-C192

Table of Contents Continued

Module in Landscape Orientation (Max Width 42")	C193-C288
Mean Roof Height Less Than 15 Feet	
-Gable Roof, Roof Slope Between 0 and 7 degrees	C193-C198
-Gable Roof, Roof Slope Between 7 and 20 degrees	C199-C204
-Gable Roof, Roof Slope Between 20 and 27 degrees	C205-C210
-Gable Roof, Roof Slope Between 27 and 45 degrees	C211-C216
-Hip Roof, Roof Slope Between 7 and 20 degrees ($h/B \geq 0.8$)	C217-C222
-Hip Roof, Roof Slope Between 7 and 20 degrees ($h/B \leq 0.5$)	C223-C228
-Hip Roof, Roof Slope Between 20 and 27 degrees	C229-C234
-Hip Roof, Roof Slope Between 27 and 45 degrees	C235-C240
Mean Roof Height Between 15 and 30 Feet	
-Gable Roof, Roof Slope Between 0 and 7 degrees	C241-C246
-Gable Roof, Roof Slope Between 7 and 20 degrees	C247-C252
-Gable Roof, Roof Slope Between 20 and 27 degrees	C253-C258
-Gable Roof, Roof Slope Between 27 and 45 degrees	C259-C264
-Hip Roof, Roof Slope Between 7 and 20 degrees ($h/B \geq 0.8$)	C265-C270
-Hip Roof, Roof Slope Between 7 and 20 degrees ($h/B \leq 0.5$)	C271-C276
-Hip Roof, Roof Slope Between 20 and 27 degrees	C277-C282
-Hip Roof, Roof Slope Between 27 and 45 degrees	C283-C288

Max Rail Spans for SunModo SMR100 System

Table 1a		Mean Roof Height:	$h \leq 15$ ft										Panel Orientation:	Portrait	
		Roof Angle:	$0 < \theta \leq 7$ degrees										North/South Support	$X_E = 1$	
		Exposure Category:	B										Roof Type :	Gable	
Roof Wind Zone	Ground Snow Load (psf)	Wind Speed (mph)													
		90	95	100	105	110	115	120	130	140	150	160	170	180	
Zone 1'	0	101	101	101	101	101	101	101	101	101	101	101	101	101	
	10	87	87	87	87	87	87	87	87	87	87	87	87	87	
	20	69	69	69	69	69	69	69	69	69	69	69	69	69	
	30	68	68	68	68	68	68	68	68	68	68	68	68	68	
	40	60	60	60	60	60	60	60	60	60	60	60	60	60	
	50	54	54	54	54	54	54	54	54	54	54	54	54	54	
	60	50	50	50	50	50	50	50	50	50	50	50	50	50	
	70	46	46	46	46	46	46	46	46	46	46	46	46	46	
	80	44	44	44	44	44	44	44	44	44	44	44	44	44	
90	41	41	41	41	41	41	41	41	41	41	41	41	41		
Zone 1	0	101	101	101	101	101	101	101	101	100	94	87	80	74	
	10	87	87	87	87	87	87	87	87	87	87	87	80	74	
	20	69	69	69	69	69	69	69	69	69	69	69	69	69	
	30	68	68	68	68	68	68	68	68	68	68	68	68	68	
	40	60	60	60	60	60	60	60	60	60	60	60	60	60	
	50	54	54	54	54	54	54	54	54	54	54	54	54	54	
	60	50	50	50	50	50	50	50	50	50	50	50	50	50	
	70	46	46	46	46	46	46	46	46	46	46	46	46	46	
	80	44	44	44	44	44	44	44	44	44	44	44	44	44	
90	41	41	41	41	41	41	41	41	41	41	41	41	41		
Zone 2	0	101	101	101	101	101	101	100	93	85	77	70	65	60	
	10	87	87	87	87	87	87	87	87	85	77	70	65	60	
	20	69	69	69	69	69	69	69	69	69	69	69	65	60	
	30	68	68	68	68	68	68	68	68	68	68	68	65	60	
	40	60	60	60	60	60	60	60	60	60	60	60	60	60	
	50	54	54	54	54	54	54	54	54	54	54	54	54	54	
	60	50	50	50	50	50	50	50	50	50	50	50	50	50	
	70	46	46	46	46	46	46	46	46	46	46	46	46	46	
	80	44	44	44	44	44	44	44	44	44	44	44	44	44	
90	41	41	41	41	41	41	41	41	41	41	41	41	41		
Zone 3	0	101	101	101	99	95	91	85	76	68	62	57	53	49	
	10	87	87	87	87	87	87	85	76	68	62	57	53	49	
	20	69	69	69	69	69	69	69	69	68	62	57	53	49	
	30	68	68	68	68	68	68	68	68	68	62	57	53	49	
	40	60	60	60	60	60	60	60	60	60	60	57	53	49	
	50	54	54	54	54	54	54	54	54	54	54	54	53	49	
	60	50	50	50	50	50	50	50	50	50	50	50	50	49	
	70	46	46	46	46	46	46	46	46	46	46	46	46	46	
	80	44	44	44	44	44	44	44	44	44	44	44	44	44	
90	41	41	41	41	41	41	41	41	41	41	41	41	41		

Notes:

1. Tables are based on critical rail span for load combinations as specified in chapter 2 of the ASCE 7-16 and allowable design loads per the 2015 Aluminum Design Manual.
2. Panels are assumed to be in portrait orientation with a maximum length of 67.5"

Max Rail Spans for SunModo SMR100 System

Table 1b		Mean Roof Height: $h \leq 15$ ft						Panel Orientation: Portrait						
		Roof Angle: $0 < \theta \leq 7$ degrees						North/South Support $X_E = 1.5$						
		Exposure Category: B						Roof Type: Gable						
Roof Wind Zone	Ground Snow Load (psf)	Wind Speed (mph)												
		90	95	100	105	110	115	120	130	140	150	160	170	180
Zone 1'	0	101	101	101	101	101	101	101	101	101	100	94	89	82
	10	87	87	87	87	87	87	87	87	87	87	87	87	82
	20	69	69	69	69	69	69	69	69	69	69	69	69	69
	30	68	68	68	68	68	68	68	68	68	68	68	68	68
	40	60	60	60	60	60	60	60	60	60	60	60	60	60
	50	54	54	54	54	54	54	54	54	54	54	54	54	54
	60	50	50	50	50	50	50	50	50	50	50	50	50	50
	70	46	46	46	46	46	46	46	46	46	46	46	46	46
	80	44	44	44	44	44	44	44	44	44	44	44	44	44
90	41	41	41	41	41	41	41	41	41	41	41	41	41	
Zone 1	0	101	101	101	101	101	99	95	88	79	72	66	61	56
	10	87	87	87	87	87	87	87	87	79	72	66	61	56
	20	69	69	69	69	69	69	69	69	69	69	66	61	56
	30	68	68	68	68	68	68	68	68	68	68	66	61	56
	40	60	60	60	60	60	60	60	60	60	60	60	60	56
	50	54	54	54	54	54	54	54	54	54	54	54	54	54
	60	50	50	50	50	50	50	50	50	50	50	50	50	50
	70	46	46	46	46	46	46	46	46	46	46	46	46	46
	80	44	44	44	44	44	44	44	44	44	44	44	44	44
90	41	41	41	41	41	41	41	41	41	41	41	41	41	
Zone 2	0	101	101	98	94	89	84	79	71	64	58	54	50	46
	10	87	87	87	87	87	84	79	71	64	58	54	50	46
	20	69	69	69	69	69	69	69	69	64	58	54	50	46
	30	68	68	68	68	68	68	68	68	64	58	54	50	46
	40	60	60	60	60	60	60	60	60	60	58	54	50	46
	50	54	54	54	54	54	54	54	54	54	54	54	50	46
	60	50	50	50	50	50	50	50	50	50	50	50	50	46
	70	46	46	46	46	46	46	46	46	46	46	46	46	46
	80	44	44	44	44	44	44	44	44	44	44	44	44	44
90	41	41	41	41	41	41	41	41	41	41	41	41	41	
Zone 3	0	94	89	83	77	72	68	64	57	52	47	44	41	38
	10	87	87	83	77	72	68	64	57	52	47	44	41	38
	20	69	69	69	69	69	68	64	57	52	47	44	41	38
	30	68	68	68	68	68	68	64	57	52	47	44	41	38
	40	60	60	60	60	60	60	60	57	52	47	44	41	38
	50	54	54	54	54	54	54	54	54	52	47	44	41	38
	60	50	50	50	50	50	50	50	50	50	47	44	41	38
	70	46	46	46	46	46	46	46	46	46	46	44	41	38
	80	44	44	44	44	44	44	44	44	44	44	44	41	38
90	41	41	41	41	41	41	41	41	41	41	41	41	38	

Notes:

1. Tables are based on critical rail span for load combinations as specified in chapter 2 of the ASCE 7-16 and allowable design loads per the 2015 Aluminum Design Manual.
2. Panels are assumed to be in portrait orientation with a maximum length of 67.5"

Max Rail Spans for SunModo SMR100 System

Table 2a		Mean Roof Height:	$h \leq 15$ ft										Panel Orientation:	Portrait	
		Roof Angle:	$0 < \theta \leq 7$ degrees										North/South Support	$X_E = 1$	
		Exposure Category:	C										Roof Type :	Gable	
Roof Wind Zone	Ground Snow Load (psf)	Wind Speed (mph)													
		90	95	100	105	110	115	120	130	140	150	160	170	180	
Zone 1'	0	101	101	101	101	101	101	101	101	101	100	95	89	83	
	10	87	87	87	87	87	87	87	87	87	87	87	87	83	
	20	69	69	69	69	69	69	69	69	69	69	69	69	69	
	30	68	68	68	68	68	68	68	68	68	68	68	68	68	
	40	60	60	60	60	60	60	60	60	60	60	60	60	60	
	50	54	54	54	54	54	54	54	54	54	54	54	54	54	
	60	50	50	50	50	50	50	50	50	50	50	50	50	50	
	70	46	46	46	46	46	46	46	46	46	46	46	46	46	
	80	44	44	44	44	44	44	44	44	44	44	44	44	44	
90	41	41	41	41	41	41	41	41	41	41	41	41	41		
Zone 1	0	101	101	101	101	101	100	96	88	79	72	66	61	56	
	10	87	87	87	87	87	87	87	87	79	72	66	61	56	
	20	69	69	69	69	69	69	69	69	69	69	66	61	56	
	30	68	68	68	68	68	68	68	68	68	68	66	61	56	
	40	60	60	60	60	60	60	60	60	60	60	60	60	56	
	50	54	54	54	54	54	54	54	54	54	54	54	54	54	
	60	50	50	50	50	50	50	50	50	50	50	50	50	50	
	70	46	46	46	46	46	46	46	46	46	46	46	46	46	
	80	44	44	44	44	44	44	44	44	44	44	44	44	44	
90	41	41	41	41	41	41	41	41	41	41	41	41	41		
Zone 2	0	101	101	98	94	90	84	79	71	64	59	54	50	46	
	10	87	87	87	87	87	84	79	71	64	59	54	50	46	
	20	69	69	69	69	69	69	69	69	64	59	54	50	46	
	30	68	68	68	68	68	68	68	68	64	59	54	50	46	
	40	60	60	60	60	60	60	60	60	60	59	54	50	46	
	50	54	54	54	54	54	54	54	54	54	54	54	50	46	
	60	50	50	50	50	50	50	50	50	50	50	50	50	46	
	70	46	46	46	46	46	46	46	46	46	46	46	46	46	
	80	44	44	44	44	44	44	44	44	44	44	44	44	44	
90	41	41	41	41	41	41	41	41	41	41	41	41	41		
Zone 3	0	95	90	83	77	72	68	64	58	52	48	44	41	38	
	10	87	87	83	77	72	68	64	58	52	48	44	41	38	
	20	69	69	69	69	69	68	64	58	52	48	44	41	38	
	30	68	68	68	68	68	68	64	58	52	48	44	41	38	
	40	60	60	60	60	60	60	60	58	52	48	44	41	38	
	50	54	54	54	54	54	54	54	54	52	48	44	41	38	
	60	50	50	50	50	50	50	50	50	50	48	44	41	38	
	70	46	46	46	46	46	46	46	46	46	46	44	41	38	
	80	44	44	44	44	44	44	44	44	44	44	44	41	38	
90	41	41	41	41	41	41	41	41	41	41	41	41	38		

Notes:

1. Tables are based on critical rail span for load combinations as specified in chapter 2 of the ASCE 7-16 and allowable design loads per the 2015 Aluminum Design Manual.
2. Panels are assumed to be in portrait orientation with a maximum length of 67.5"

Max Rail Spans for SunModo SMR100 System

Table 2b		Mean Roof Height: $h \leq 15$ ft							Panel Orientation: Portrait						
		Roof Angle: $0 < \theta \leq 7$ degrees							North/South Support $X_E = 1.5$						
		Exposure Category: C							Roof Type: Gable						
Roof Wind Zone	Ground Snow Load (psf)	Wind Speed (mph)													
		90	95	100	105	110	115	120	130	140	150	160	170	180	
Zone 1'	0	101	101	101	101	101	101	101	95	88	80	74	68	64	
	10	87	87	87	87	87	87	87	87	87	80	74	68	64	
	20	69	69	69	69	69	69	69	69	69	69	69	68	64	
	30	68	68	68	68	68	68	68	68	68	68	68	68	64	
	40	60	60	60	60	60	60	60	60	60	60	60	60	60	
	50	54	54	54	54	54	54	54	54	54	54	54	54	54	
	60	50	50	50	50	50	50	50	50	50	50	50	50	50	
	70	46	46	46	46	46	46	46	46	46	46	46	46	46	
	80	44	44	44	44	44	44	44	44	44	44	44	44	44	
90	41	41	41	41	41	41	41	41	41	41	41	41	41		
Zone 1	0	101	99	94	89	84	78	74	66	60	55	51	47	44	
	10	87	87	87	87	84	78	74	66	60	55	51	47	44	
	20	69	69	69	69	69	69	69	66	60	55	51	47	44	
	30	68	68	68	68	68	68	68	66	60	55	51	47	44	
	40	60	60	60	60	60	60	60	60	60	55	51	47	44	
	50	54	54	54	54	54	54	54	54	54	54	51	47	44	
	60	50	50	50	50	50	50	50	50	50	50	50	47	44	
	70	46	46	46	46	46	46	46	46	46	46	46	46	44	
	80	44	44	44	44	44	44	44	44	44	44	44	44	44	
90	41	41	41	41	41	41	41	41	41	41	41	41	41		
Zone 2	0	89	83	77	72	68	64	60	54	49	45	42	39	37	
	10	87	83	77	72	68	64	60	54	49	45	42	39	37	
	20	69	69	69	69	68	64	60	54	49	45	42	39	37	
	30	68	68	68	68	68	64	60	54	49	45	42	39	37	
	40	60	60	60	60	60	60	60	54	49	45	42	39	37	
	50	54	54	54	54	54	54	54	54	49	45	42	39	37	
	60	50	50	50	50	50	50	50	50	49	45	42	39	37	
	70	46	46	46	46	46	46	46	46	46	45	42	39	37	
	80	44	44	44	44	44	44	44	44	44	44	42	39	37	
90	41	41	41	41	41	41	41	41	41	41	41	39	37		
Zone 3	0	72	67	62	58	55	52	49	44	40	38	35	33	31	
	10	72	67	62	58	55	52	49	44	40	38	35	33	31	
	20	69	67	62	58	55	52	49	44	40	38	35	33	31	
	30	68	67	62	58	55	52	49	44	40	38	35	33	31	
	40	60	60	60	58	55	52	49	44	40	38	35	33	31	
	50	54	54	54	54	54	52	49	44	40	38	35	33	31	
	60	50	50	50	50	50	50	49	44	40	38	35	33	31	
	70	46	46	46	46	46	46	46	44	40	38	35	33	31	
	80	44	44	44	44	44	44	44	44	40	38	35	33	31	
90	41	41	41	41	41	41	41	41	40	38	35	33	31		

Notes:

1. Tables are based on critical rail span for load combinations as specified in chapter 2 of the ASCE 7-16 and allowable design loads per the 2015 Aluminum Design Manual.
2. Panels are assumed to be in portrait orientation with a maximum length of 67.5"

Max Rail Spans for SunModo SMR100 System

Table 3a		Mean Roof Height:	$h \leq 15$ ft										Panel Orientation:	Portrait	
		Roof Angle:	$0 < \theta \leq 7$ degrees										North/South Support	$X_E = 1$	
		Exposure Category:	D										Roof Type :	Gable	
Roof Wind Zone	Ground Snow Load (psf)	Wind Speed (mph)													
		90	95	100	105	110	115	120	130	140	150	160	170	180	
Zone 1'	0	101	101	101	101	101	101	101	101	98	92	85	78	73	
	10	87	87	87	87	87	87	87	87	87	87	85	78	73	
	20	69	69	69	69	69	69	69	69	69	69	69	69	68	
	30	68	68	68	68	68	68	68	68	68	68	68	68	67	
	40	60	60	60	60	60	60	60	60	60	60	60	60	60	
	50	54	54	54	54	54	54	54	54	54	54	54	54	54	
	60	50	50	50	50	50	50	50	50	50	50	50	50	50	
	70	46	46	46	46	46	46	46	46	46	46	46	46	46	
	80	44	44	44	44	44	44	44	44	44	44	44	44	44	
90	41	41	41	41	41	41	41	41	41	41	41	41	41		
Zone 1	0	101	101	101	99	95	91	86	77	69	63	58	54	50	
	10	87	87	87	87	87	87	86	77	69	63	58	54	50	
	20	69	69	69	69	69	69	69	69	69	63	58	54	50	
	30	68	68	68	68	68	68	68	68	68	63	58	54	50	
	40	60	60	60	60	60	60	60	60	60	60	58	54	50	
	50	54	54	54	54	54	54	54	54	54	54	54	54	50	
	60	50	50	50	50	50	50	50	50	50	50	50	50	50	
	70	46	46	46	46	46	46	46	46	46	46	46	46	46	
	80	44	44	44	44	44	44	44	44	44	44	44	44	44	
90	41	41	41	41	41	41	41	41	41	41	41	41	41		
Zone 2	0	99	94	90	84	78	74	69	62	57	52	48	44	41	
	10	87	87	87	84	78	74	69	62	57	52	48	44	41	
	20	69	69	69	69	69	69	69	62	57	52	48	44	41	
	30	68	68	68	68	68	68	68	62	57	52	48	44	41	
	40	60	60	60	60	60	60	60	60	57	52	48	44	41	
	50	54	54	54	54	54	54	54	54	54	52	48	44	41	
	60	50	50	50	50	50	50	50	50	50	50	48	44	41	
	70	46	46	46	46	46	46	46	46	46	46	46	44	41	
	80	44	44	44	44	44	44	44	44	44	44	44	44	41	
90	41	41	41	41	41	41	41	41	41	41	41	41	41		
Zone 3	0	84	78	72	68	63	60	56	51	46	42	39	37	35	
	10	84	78	72	68	63	60	56	51	46	42	39	37	35	
	20	69	69	69	68	63	60	56	51	46	42	39	37	35	
	30	68	68	68	68	63	60	56	51	46	42	39	37	35	
	40	60	60	60	60	60	60	56	51	46	42	39	37	35	
	50	54	54	54	54	54	54	54	51	46	42	39	37	35	
	60	50	50	50	50	50	50	50	50	46	42	39	37	35	
	70	46	46	46	46	46	46	46	46	46	42	39	37	35	
	80	44	44	44	44	44	44	44	44	44	42	39	37	35	
90	41	41	41	41	41	41	41	41	41	41	39	37	35		

Notes:

1. Tables are based on critical rail span for load combinations as specified in chapter 2 of the ASCE 7-16 and allowable design loads per the 2015 Aluminum Design Manual.
2. Panels are assumed to be in portrait orientation with a maximum length of 67.5"

Max Rail Spans for SunModo SMR100 System

Table 3b		Mean Roof Height:	$h \leq 15$ ft										Panel Orientation:	Portrait	
		Roof Angle:	$0 < \theta \leq 7$ degrees										North/South Support	$\chi_E = 1.5$	
		Exposure Category:	D										Roof Type :	Gable	
Roof Wind Zone	Ground Snow Load (psf)	Wind Speed (mph)													
		90	95	100	105	110	115	120	130	140	150	160	170	180	
Zone 1'	0	101	101	101	101	101	97	94	86	78	71	66	61	57	
	10	87	87	87	87	87	87	87	86	78	71	66	61	57	
	20	69	69	69	69	69	69	69	69	69	69	66	61	57	
	30	68	68	68	68	68	68	68	68	68	68	66	61	57	
	40	60	60	60	60	60	60	60	60	60	60	60	60	57	
	50	54	54	54	54	54	54	54	54	54	54	54	54	54	54
	60	50	50	50	50	50	50	50	50	50	50	50	50	50	50
	70	46	46	46	46	46	46	46	46	46	46	46	46	46	46
	80	44	44	44	44	44	44	44	44	44	44	44	44	44	44
90	41	41	41	41	41	41	41	41	41	41	41	41	41	41	
Zone 1	0	95	90	83	78	73	69	65	58	53	49	45	42	39	
	10	87	87	83	78	73	69	65	58	53	49	45	42	39	
	20	69	69	69	69	69	69	65	58	53	49	45	42	39	
	30	68	68	68	68	68	68	65	58	53	49	45	42	39	
	40	60	60	60	60	60	60	60	58	53	49	45	42	39	
	50	54	54	54	54	54	54	54	54	53	49	45	42	39	
	60	50	50	50	50	50	50	50	50	50	49	45	42	39	
	70	46	46	46	46	46	46	46	46	46	46	45	42	39	
	80	44	44	44	44	44	44	44	44	44	44	44	42	39	
90	41	41	41	41	41	41	41	41	41	41	41	41	39		
Zone 2	0	78	72	68	63	60	56	53	48	44	40	38	36	33	
	10	78	72	68	63	60	56	53	48	44	40	38	36	33	
	20	69	69	68	63	60	56	53	48	44	40	38	36	33	
	30	68	68	68	63	60	56	53	48	44	40	38	36	33	
	40	60	60	60	60	60	56	53	48	44	40	38	36	33	
	50	54	54	54	54	54	54	53	48	44	40	38	36	33	
	60	50	50	50	50	50	50	50	48	44	40	38	36	33	
	70	46	46	46	46	46	46	46	46	44	40	38	36	33	
	80	44	44	44	44	44	44	44	44	44	40	38	36	33	
90	41	41	41	41	41	41	41	41	41	40	38	36	33		
Zone 3	0	63	59	55	51	48	46	43	40	37	34	32	30	28	
	10	63	59	55	51	48	46	43	40	37	34	32	30	28	
	20	63	59	55	51	48	46	43	40	37	34	32	30	28	
	30	63	59	55	51	48	46	43	40	37	34	32	30	28	
	40	60	59	55	51	48	46	43	40	37	34	32	30	28	
	50	54	54	54	51	48	46	43	40	37	34	32	30	28	
	60	50	50	50	50	48	46	43	40	37	34	32	30	28	
	70	46	46	46	46	46	46	43	40	37	34	32	30	28	
	80	44	44	44	44	44	44	43	40	37	34	32	30	28	
90	41	41	41	41	41	41	41	40	37	34	32	30	28		

Notes:

1. Tables are based on critical rail span for load combinations as specified in chapter 2 of the ASCE 7-16 and allowable design loads per the 2015 Aluminum Design Manual.
2. Panels are assumed to be in portrait orientation with a maximum length of 67.5"

Max Rail Spans for SunModo SMR100 System

Table 4a		Mean Roof Height:	$h \leq 15$ ft										Panel Orientation:	Portrait	
		Roof Angle:	$7 < \theta \leq 20$ degrees										North/South Support	$X_E = 1$	
		Exposure Category:	B										Roof Type :	Gable	
Roof Wind Zone	Ground Snow Load (psf)	Wind Speed (mph)													
		90	95	100	105	110	115	120	130	140	150	160	170	180	
Zones 1 & 2e	0	101	101	101	101	101	101	101	98	90	82	75	69	65	
	10	80	80	80	80	80	80	80	80	80	80	75	69	65	
	20	62	62	62	62	62	62	62	62	62	62	62	62	62	
	30	62	62	62	62	62	62	62	62	62	62	62	62	62	
	40	55	55	55	55	55	55	55	55	55	55	55	55	55	
	50	50	50	50	50	50	50	50	50	50	50	50	50	50	
	60	46	46	46	46	46	46	46	46	46	46	46	46	46	
	70	43	43	43	43	43	43	43	43	43	43	43	43	43	
	80	40	40	40	40	40	40	40	40	40	40	40	40	40	
90	38	38	38	38	38	38	38	38	38	38	38	38	38		
Zones 2h, 2r, & 3e	0	101	101	101	101	100	96	92	83	74	67	61	56	52	
	10	80	80	80	80	80	80	80	80	74	67	61	56	52	
	20	62	62	62	62	62	62	62	62	62	62	61	56	52	
	30	62	62	62	62	62	62	62	62	62	62	61	56	52	
	40	55	55	55	55	55	55	55	55	55	55	55	55	52	
	50	50	50	50	50	50	50	50	50	50	50	50	50	50	
	60	46	46	46	46	46	46	46	46	46	46	46	46	46	
	70	43	43	43	43	43	43	43	43	43	43	43	43	43	
	80	40	40	40	40	40	40	40	40	40	40	40	40	40	
90	38	38	38	38	38	38	38	38	38	38	38	38	38		
Zone 3r	0	101	101	101	96	92	88	82	73	65	59	54	49	45	
	10	80	80	80	80	80	80	80	73	65	59	54	49	45	
	20	62	62	62	62	62	62	62	62	62	59	54	49	45	
	30	62	62	62	62	62	62	62	62	62	59	54	49	45	
	40	55	55	55	55	55	55	55	55	55	55	54	49	45	
	50	50	50	50	50	50	50	50	50	50	50	50	49	45	
	60	46	46	46	46	46	46	46	46	46	46	46	46	45	
	70	43	43	43	43	43	43	43	43	43	43	43	43	43	
	80	40	40	40	40	40	40	40	40	40	40	40	40	40	
90	38	38	38	38	38	38	38	38	38	38	38	38	38		

Notes:

1. Tables are based on critical rail span for load combinations as specified in chapter 2 of the ASCE 7-16 and allowable design loads per the 2015 Aluminum Design Manual.
2. Panels are assumed to be in portrait orientation with a maximum length of 67.5"

Max Rail Spans for SunModo SMR100 System

Table 4b		Mean Roof Height: $h \leq 15$ ft		Roof Angle: $7 < \theta \leq 20$ degrees		Panel Orientation: Portrait		North/South Support $X_E = 1.5$		Exposure Category: B		Roof Type: Gable			
		Roof Wind Zone	Ground Snow Load (psf)	Wind Speed (mph)											
		90	95	100	105	110	115	120	130	140	150	160	170	180	
Zones 1 & 2e	0	101	101	101	99	94	90	84	75	69	63	58	54	50	
	10	80	80	80	80	80	80	80	75	69	63	58	54	50	
	20	62	62	62	62	62	62	62	62	62	62	58	54	50	
	30	62	62	62	62	62	62	62	62	62	62	58	54	50	
	40	55	55	55	55	55	55	55	55	55	55	55	54	50	
	50	50	50	50	50	50	50	50	50	50	50	50	50	50	50
	60	46	46	46	46	46	46	46	46	46	46	46	46	46	46
	70	43	43	43	43	43	43	43	43	43	43	43	43	43	43
	80	40	40	40	40	40	40	40	40	40	40	40	40	40	40
90	38	38	38	38	38	38	38	38	38	38	38	38	38	38	
Zones 2h, 2r, & 3e	0	100	95	90	85	79	74	69	61	55	50	46	42	40	
	10	80	80	80	80	79	74	69	61	55	50	46	42	40	
	20	62	62	62	62	62	62	62	61	55	50	46	42	40	
	30	62	62	62	62	62	62	62	61	55	50	46	42	40	
	40	55	55	55	55	55	55	55	55	55	50	46	42	40	
	50	50	50	50	50	50	50	50	50	50	50	46	42	40	
	60	46	46	46	46	46	46	46	46	46	46	46	46	42	40
	70	43	43	43	43	43	43	43	43	43	43	43	43	42	40
	80	40	40	40	40	40	40	40	40	40	40	40	40	40	40
90	38	38	38	38	38	38	38	38	38	38	38	38	38	38	
Zone 3r	0	92	87	80	74	69	64	61	54	49	44	41	38	36	
	10	80	80	80	74	69	64	61	54	49	44	41	38	36	
	20	62	62	62	62	62	62	61	54	49	44	41	38	36	
	30	62	62	62	62	62	62	61	54	49	44	41	38	36	
	40	55	55	55	55	55	55	55	54	49	44	41	38	36	
	50	50	50	50	50	50	50	50	50	49	44	41	38	36	
	60	46	46	46	46	46	46	46	46	46	44	41	38	36	
	70	43	43	43	43	43	43	43	43	43	43	41	38	36	
	80	40	40	40	40	40	40	40	40	40	40	40	38	36	
90	38	38	38	38	38	38	38	38	38	38	38	38	36		

Notes:

1. Tables are based on critical rail span for load combinations as specified in chapter 2 of the ASCE 7-16 and allowable design loads per the 2015 Aluminum Design Manual.
2. Panels are assumed to be in portrait orientation with a maximum length of 67.5"

Max Rail Spans for SunModo SMR100 System

Table 5a		Mean Roof Height:	$h \leq 15$ ft										Panel Orientation:	Portrait	
		Roof Angle:	$7 < \theta \leq 20$ degrees										North/South Support	$X_E = 1$	
		Exposure Category:	C										Roof Type :	Gable	
Roof Wind Zone	Ground Snow Load (psf)	Wind Speed (mph)													
		90	95	100	105	110	115	120	130	140	150	160	170	180	
Zones 1 & 2e	0	101	101	101	99	94	90	84	76	69	63	58	54	50	
	10	80	80	80	80	80	80	80	76	69	63	58	54	50	
	20	62	62	62	62	62	62	62	62	62	62	58	54	50	
	30	62	62	62	62	62	62	62	62	62	62	58	54	50	
	40	55	55	55	55	55	55	55	55	55	55	55	54	50	
	50	50	50	50	50	50	50	50	50	50	50	50	50	50	50
	60	46	46	46	46	46	46	46	46	46	46	46	46	46	46
	70	43	43	43	43	43	43	43	43	43	43	43	43	43	43
	80	40	40	40	40	40	40	40	40	40	40	40	40	40	40
90	38	38	38	38	38	38	38	38	38	38	38	38	38	38	
Zones 2h, 2r, & 3e	0	100	95	91	85	79	74	69	62	55	50	46	42	40	
	10	80	80	80	80	79	74	69	62	55	50	46	42	40	
	20	62	62	62	62	62	62	62	62	55	50	46	42	40	
	30	62	62	62	62	62	62	62	62	55	50	46	42	40	
	40	55	55	55	55	55	55	55	55	55	50	46	42	40	
	50	50	50	50	50	50	50	50	50	50	50	46	42	40	
	60	46	46	46	46	46	46	46	46	46	46	46	46	42	40
	70	43	43	43	43	43	43	43	43	43	43	43	43	42	40
	80	40	40	40	40	40	40	40	40	40	40	40	40	40	40
90	38	38	38	38	38	38	38	38	38	38	38	38	38	38	
Zone 3r	0	92	87	80	74	69	65	61	54	49	44	41	39	36	
	10	80	80	80	74	69	65	61	54	49	44	41	39	36	
	20	62	62	62	62	62	62	61	54	49	44	41	39	36	
	30	62	62	62	62	62	62	61	54	49	44	41	39	36	
	40	55	55	55	55	55	55	55	54	49	44	41	39	36	
	50	50	50	50	50	50	50	50	50	49	44	41	39	36	
	60	46	46	46	46	46	46	46	46	46	44	41	39	36	
	70	43	43	43	43	43	43	43	43	43	43	41	39	36	
	80	40	40	40	40	40	40	40	40	40	40	40	39	36	
90	38	38	38	38	38	38	38	38	38	38	38	38	36		

Notes:

1. Tables are based on critical rail span for load combinations as specified in chapter 2 of the ASCE 7-16 and allowable design loads per the 2015 Aluminum Design Manual.
2. Panels are assumed to be in portrait orientation with a maximum length of 67.5"

Max Rail Spans for SunModo SMR100 System

Table 5b		Mean Roof Height:	$h \leq 15$ ft										Panel Orientation:	Portrait	
		Roof Angle:	$7 < \theta \leq 20$ degrees										North/South Support	$X_E = 1.5$	
		Exposure Category:	C										Roof Type :	Gable	
Roof Wind Zone	Ground Snow Load (psf)	Wind Speed (mph)													
		90	95	100	105	110	115	120	130	140	150	160	170	180	
Zones 1 & 2e	0	94	89	82	77	72	68	65	59	53	49	46	42	40	
	10	80	80	80	77	72	68	65	59	53	49	46	42	40	
	20	62	62	62	62	62	62	62	59	53	49	46	42	40	
	30	62	62	62	62	62	62	62	59	53	49	46	42	40	
	40	55	55	55	55	55	55	55	55	53	49	46	42	40	
	50	50	50	50	50	50	50	50	50	50	49	46	42	40	
	60	46	46	46	46	46	46	46	46	46	46	46	46	42	40
	70	43	43	43	43	43	43	43	43	43	43	43	43	42	40
	80	40	40	40	40	40	40	40	40	40	40	40	40	40	40
90	38	38	38	38	38	38	38	38	38	38	38	38	38	38	
Zones 2h, 2r, & 3e	0	79	73	67	63	59	55	52	46	42	39	37	34	32	
	10	79	73	67	63	59	55	52	46	42	39	37	34	32	
	20	62	62	62	62	59	55	52	46	42	39	37	34	32	
	30	62	62	62	62	59	55	52	46	42	39	37	34	32	
	40	55	55	55	55	55	55	52	46	42	39	37	34	32	
	50	50	50	50	50	50	50	50	46	42	39	37	34	32	
	60	46	46	46	46	46	46	46	46	42	39	37	34	32	
	70	43	43	43	43	43	43	43	43	42	39	37	34	32	
	80	40	40	40	40	40	40	40	40	40	39	37	34	32	
90	38	38	38	38	38	38	38	38	38	38	37	34	32		
Zone 3r	0	69	64	59	55	52	48	46	41	38	36	33	31	29	
	10	69	64	59	55	52	48	46	41	38	36	33	31	29	
	20	62	62	59	55	52	48	46	41	38	36	33	31	29	
	30	62	62	59	55	52	48	46	41	38	36	33	31	29	
	40	55	55	55	55	52	48	46	41	38	36	33	31	29	
	50	50	50	50	50	50	48	46	41	38	36	33	31	29	
	60	46	46	46	46	46	46	46	41	38	36	33	31	29	
	70	43	43	43	43	43	43	43	41	38	36	33	31	29	
	80	40	40	40	40	40	40	40	40	38	36	33	31	29	
90	38	38	38	38	38	38	38	38	38	36	33	31	29		

Notes:

1. Tables are based on critical rail span for load combinations as specified in chapter 2 of the ASCE 7-16 and allowable design loads per the 2015 Aluminum Design Manual.
2. Panels are assumed to be in portrait orientation with a maximum length of 67.5"

Max Rail Spans for SunModo SMR100 System

Table 6a		Mean Roof Height:	$h \leq 15$ ft										Panel Orientation:	Portrait	
		Roof Angle:	$7 < \theta \leq 20$ degrees										North/South Support	$X_E = 1$	
		Exposure Category:	D										Roof Type :	Gable	
Roof Wind Zone	Ground Snow Load (psf)	Wind Speed (mph)													
		90	95	100	105	110	115	120	130	140	150	160	170	180	
Zones 1 & 2e	0	101	100	94	89	83	78	74	67	61	56	52	48	45	
	10	80	80	80	80	80	78	74	67	61	56	52	48	45	
	20	62	62	62	62	62	62	62	62	61	56	52	48	45	
	30	62	62	62	62	62	62	62	62	61	56	52	48	45	
	40	55	55	55	55	55	55	55	55	55	55	52	48	45	
	50	50	50	50	50	50	50	50	50	50	50	50	50	48	45
	60	46	46	46	46	46	46	46	46	46	46	46	46	46	45
	70	43	43	43	43	43	43	43	43	43	43	43	43	43	43
	80	40	40	40	40	40	40	40	40	40	40	40	40	40	40
90	38	38	38	38	38	38	38	38	38	38	38	38	38	38	
Zones 2h, 2r, & 3e	0	91	86	79	73	68	64	60	54	48	44	41	38	36	
	10	80	80	79	73	68	64	60	54	48	44	41	38	36	
	20	62	62	62	62	62	62	60	54	48	44	41	38	36	
	30	62	62	62	62	62	62	60	54	48	44	41	38	36	
	40	55	55	55	55	55	55	55	54	48	44	41	38	36	
	50	50	50	50	50	50	50	50	50	48	44	41	38	36	
	60	46	46	46	46	46	46	46	46	46	44	41	38	36	
	70	43	43	43	43	43	43	43	43	43	43	41	38	36	
	80	40	40	40	40	40	40	40	40	40	40	40	38	36	
90	38	38	38	38	38	38	38	38	38	38	38	38	38	36	
Zone 3r	0	81	75	69	64	60	56	53	47	43	40	37	35	33	
	10	80	75	69	64	60	56	53	47	43	40	37	35	33	
	20	62	62	62	62	60	56	53	47	43	40	37	35	33	
	30	62	62	62	62	60	56	53	47	43	40	37	35	33	
	40	55	55	55	55	55	55	53	47	43	40	37	35	33	
	50	50	50	50	50	50	50	50	47	43	40	37	35	33	
	60	46	46	46	46	46	46	46	46	43	40	37	35	33	
	70	43	43	43	43	43	43	43	43	43	40	37	35	33	
	80	40	40	40	40	40	40	40	40	40	40	37	35	33	
90	38	38	38	38	38	38	38	38	38	38	37	35	33		

Notes:

1. Tables are based on critical rail span for load combinations as specified in chapter 2 of the ASCE 7-16 and allowable design loads per the 2015 Aluminum Design Manual.
2. Panels are assumed to be in portrait orientation with a maximum length of 67.5"

Max Rail Spans for SunModo SMR100 System

Table 6b		Mean Roof Height:	$h \leq 15$ ft										Panel Orientation:	Portrait	
		Roof Angle:	$7 < \theta \leq 20$ degrees										North/South Support	$X_E = 1.5$	
		Exposure Category:	D										Roof Type :	Gable	
Roof Wind Zone	Ground Snow Load (psf)	Wind Speed (mph)													
		90	95	100	105	110	115	120	130	140	150	160	170	180	
Zones 1 & 2e	0	83	77	72	68	64	61	57	52	48	44	41	38	36	
	10	80	77	72	68	64	61	57	52	48	44	41	38	36	
	20	62	62	62	62	62	61	57	52	48	44	41	38	36	
	30	62	62	62	62	62	61	57	52	48	44	41	38	36	
	40	55	55	55	55	55	55	55	52	48	44	41	38	36	
	50	50	50	50	50	50	50	50	50	48	44	41	38	36	
	60	46	46	46	46	46	46	46	46	46	44	41	38	36	
	70	43	43	43	43	43	43	43	43	43	43	41	38	36	
	80	40	40	40	40	40	40	40	40	40	40	40	38	36	
90	38	38	38	38	38	38	38	38	38	38	38	38	36		
Zones 2h, 2r, & 3e	0	68	63	58	55	51	48	45	41	38	35	33	31	29	
	10	68	63	58	55	51	48	45	41	38	35	33	31	29	
	20	62	62	58	55	51	48	45	41	38	35	33	31	29	
	30	62	62	58	55	51	48	45	41	38	35	33	31	29	
	40	55	55	55	55	51	48	45	41	38	35	33	31	29	
	50	50	50	50	50	50	48	45	41	38	35	33	31	29	
	60	46	46	46	46	46	46	45	41	38	35	33	31	29	
	70	43	43	43	43	43	43	43	41	38	35	33	31	29	
	80	40	40	40	40	40	40	40	40	38	35	33	31	29	
90	38	38	38	38	38	38	38	38	38	35	33	31	29		
Zone 3r	0	60	55	51	48	45	42	41	37	35	32	30	28	27	
	10	60	55	51	48	45	42	41	37	35	32	30	28	27	
	20	60	55	51	48	45	42	41	37	35	32	30	28	27	
	30	60	55	51	48	45	42	41	37	35	32	30	28	27	
	40	55	55	51	48	45	42	41	37	35	32	30	28	27	
	50	50	50	50	48	45	42	41	37	35	32	30	28	27	
	60	46	46	46	46	45	42	41	37	35	32	30	28	27	
	70	43	43	43	43	43	42	41	37	35	32	30	28	27	
	80	40	40	40	40	40	40	40	37	35	32	30	28	27	
90	38	38	38	38	38	38	38	37	35	32	30	28	27		

Notes:

1. Tables are based on critical rail span for load combinations as specified in chapter 2 of the ASCE 7-16 and allowable design loads per the 2015 Aluminum Design Manual.
2. Panels are assumed to be in portrait orientation with a maximum length of 67.5"

Max Rail Spans for SunModo SMR100 System

Table 7a		Mean Roof Height: $h \leq 15$ ft						Panel Orientation: Portrait						
		Roof Angle: $20 < \theta \leq 27$ degrees						North/South Support $X_E = 1$						
		Exposure Category: B						Roof Type: Gable						
Roof Wind Zone	Ground Snow Load (psf)	Wind Speed (mph)												
		90	95	100	105	110	115	120	130	140	150	160	170	180
Zones 1 & 2e	0	101	101	101	101	101	101	101	101	101	96	90	85	79
	10	86	86	86	86	86	86	86	86	86	86	86	85	79
	20	73	73	73	73	73	73	73	73	73	73	73	72	71
	30	62	62	62	62	62	62	62	62	62	62	62	62	62
	40	55	55	55	55	55	55	55	55	55	55	55	55	55
	50	50	50	50	50	50	50	50	50	50	50	50	50	50
	60	46	46	46	46	46	46	46	46	46	46	46	46	46
	70	43	43	43	43	43	43	43	43	43	43	43	43	43
	80	40	40	40	40	40	40	40	40	40	40	40	40	40
90	38	38	38	38	38	38	38	38	38	38	38	38	38	
Zones 2h, 2r, & 3e	0	101	101	101	101	101	101	99	92	86	78	70	64	59
	10	86	86	86	86	86	86	86	86	86	78	70	64	59
	20	73	73	73	73	73	73	73	73	73	73	70	64	59
	30	62	62	62	62	62	62	62	62	62	62	62	62	59
	40	55	55	55	55	55	55	55	55	55	55	55	55	55
	50	50	50	50	50	50	50	50	50	50	50	50	50	50
	60	46	46	46	46	46	46	46	46	46	46	46	46	46
	70	43	43	43	43	43	43	43	43	43	43	43	43	43
	80	40	40	40	40	40	40	40	40	40	40	40	40	40
90	38	38	38	38	38	38	38	38	38	38	38	38	38	
Zone 3r	0	101	101	101	101	101	98	94	87	78	70	63	58	53
	10	86	86	86	86	86	86	86	86	78	70	63	58	53
	20	73	73	73	73	73	73	73	73	73	70	63	58	53
	30	62	62	62	62	62	62	62	62	62	62	62	58	53
	40	55	55	55	55	55	55	55	55	55	55	55	55	53
	50	50	50	50	50	50	50	50	50	50	50	50	50	50
	60	46	46	46	46	46	46	46	46	46	46	46	46	46
	70	43	43	43	43	43	43	43	43	43	43	43	43	43
	80	40	40	40	40	40	40	40	40	40	40	40	40	40
90	38	38	38	38	38	38	38	38	38	38	38	38	38	

Notes:

1. Tables are based on critical rail span for load combinations as specified in chapter 2 of the ASCE 7-16 and allowable design loads per the 2015 Aluminum Design Manual.
2. Panels are assumed to be in portrait orientation with a maximum length of 67.5"

Max Rail Spans for SunModo SMR100 System

Table 7b		Mean Roof Height: $h \leq 15$ ft						Panel Orientation: Portrait							
		Roof Angle: $20 < \theta \leq 27$ degrees						North/South Support $X_E = 1.5$							
		Exposure Category: B						Roof Type: Gable							
Roof Wind Zone	Ground Snow Load (psf)	Wind Speed (mph)													
		90	95	100	105	110	115	120	130	140	150	160	170	180	
Zones 1 & 2e	0	101	101	101	101	101	101	97	90	84	77	70	65	61	
	10	86	86	86	86	86	86	86	86	84	77	70	65	61	
	20	73	73	73	73	73	73	73	73	73	73	70	65	61	
	30	62	62	62	62	62	62	62	62	62	62	62	62	61	
	40	55	55	55	55	55	55	55	55	55	55	55	55	55	
	50	50	50	50	50	50	50	50	50	50	50	50	50	50	50
	60	46	46	46	46	46	46	46	46	46	46	46	46	46	46
	70	43	43	43	43	43	43	43	43	43	43	43	43	43	43
	80	40	40	40	40	40	40	40	40	40	40	40	40	40	40
90	38	38	38	38	38	38	38	38	38	38	38	38	38	38	
Zones 2h, 2r, & 3e	0	101	101	98	93	89	86	80	71	63	57	52	48	44	
	10	86	86	86	86	86	86	80	71	63	57	52	48	44	
	20	73	73	73	73	73	73	73	71	63	57	52	48	44	
	30	62	62	62	62	62	62	62	62	62	57	52	48	44	
	40	55	55	55	55	55	55	55	55	55	55	52	48	44	
	50	50	50	50	50	50	50	50	50	50	50	50	48	44	
	60	46	46	46	46	46	46	46	46	46	46	46	46	44	
	70	43	43	43	43	43	43	43	43	43	43	43	43	43	
	80	40	40	40	40	40	40	40	40	40	40	40	40	40	
90	38	38	38	38	38	38	38	38	38	38	38	38	38		
Zone 3r	0	101	97	92	88	84	78	72	64	57	51	47	43	40	
	10	86	86	86	86	84	78	72	64	57	51	47	43	40	
	20	73	73	73	73	73	73	72	64	57	51	47	43	40	
	30	62	62	62	62	62	62	62	62	57	51	47	43	40	
	40	55	55	55	55	55	55	55	55	55	51	47	43	40	
	50	50	50	50	50	50	50	50	50	50	50	47	43	40	
	60	46	46	46	46	46	46	46	46	46	46	46	43	40	
	70	43	43	43	43	43	43	43	43	43	43	43	43	40	
	80	40	40	40	40	40	40	40	40	40	40	40	40	40	
90	38	38	38	38	38	38	38	38	38	38	38	38	38		

Notes:

1. Tables are based on critical rail span for load combinations as specified in chapter 2 of the ASCE 7-16 and allowable design loads per the 2015 Aluminum Design Manual.
2. Panels are assumed to be in portrait orientation with a maximum length of 67.5"

Max Rail Spans for SunModo SMR100 System

Table 8a		Mean Roof Height:	$h \leq 15$ ft										Panel Orientation:	Portrait	
		Roof Angle:	$20 < \theta \leq 27$ degrees										North/South Support	$X_E = 1$	
		Exposure Category:	C										Roof Type :	Gable	
Roof Wind Zone	Ground Snow Load (psf)	Wind Speed (mph)													
		90	95	100	105	110	115	120	130	140	150	160	170	180	
Zones 1 & 2e	0	101	101	101	101	101	101	98	91	85	77	71	65	61	
	10	86	86	86	86	86	86	86	86	85	77	71	65	61	
	20	73	73	73	73	73	73	73	73	72	71	69	65	61	
	30	62	62	62	62	62	62	62	62	62	62	62	61	60	
	40	55	55	55	55	55	55	55	55	55	55	55	55	55	
	50	50	50	50	50	50	50	50	50	50	50	50	50	50	50
	60	46	46	46	46	46	46	46	46	46	46	46	46	46	46
	70	43	43	43	43	43	43	43	43	43	43	43	43	43	43
	80	40	40	40	40	40	40	40	40	40	40	40	40	40	40
90	38	38	38	38	38	38	38	38	38	38	38	38	38	38	
Zones 2h, 2r, & 3e	0	101	101	98	93	89	86	81	71	64	58	53	48	45	
	10	86	86	86	86	86	86	81	71	64	58	53	48	45	
	20	73	73	73	73	73	73	73	71	64	58	53	48	45	
	30	62	62	62	62	62	62	62	62	62	58	53	48	45	
	40	55	55	55	55	55	55	55	55	55	55	53	48	45	
	50	50	50	50	50	50	50	50	50	50	50	50	48	45	
	60	46	46	46	46	46	46	46	46	46	46	46	46	45	
	70	43	43	43	43	43	43	43	43	43	43	43	43	43	
	80	40	40	40	40	40	40	40	40	40	40	40	40	40	
90	38	38	38	38	38	38	38	38	38	38	38	38	38		
Zone 3r	0	101	97	92	88	84	78	73	64	57	52	47	43	40	
	10	86	86	86	86	84	78	73	64	57	52	47	43	40	
	20	73	73	73	73	73	73	73	64	57	52	47	43	40	
	30	62	62	62	62	62	62	62	62	57	52	47	43	40	
	40	55	55	55	55	55	55	55	55	55	52	47	43	40	
	50	50	50	50	50	50	50	50	50	50	50	47	43	40	
	60	46	46	46	46	46	46	46	46	46	46	46	43	40	
	70	43	43	43	43	43	43	43	43	43	43	43	43	40	
	80	40	40	40	40	40	40	40	40	40	40	40	40	40	
90	38	38	38	38	38	38	38	38	38	38	38	38	38		

Notes:

1. Tables are based on critical rail span for load combinations as specified in chapter 2 of the ASCE 7-16 and allowable design loads per the 2015 Aluminum Design Manual.
2. Panels are assumed to be in portrait orientation with a maximum length of 67.5"

Max Rail Spans for SunModo SMR100 System

Table 8b		Mean Roof Height: $h \leq 15$ ft						Panel Orientation: Portrait							
		Roof Angle: $20 < \theta \leq 27$ degrees						North/South Support $X_E = 1.5$							
		Exposure Category: C						Roof Type: Gable							
Roof Wind Zone	Ground Snow Load (psf)	Wind Speed (mph)													
		90	95	100	105	110	115	120	130	140	150	160	170	180	
Zones 1 & 2e	0	101	101	96	92	88	84	79	71	65	59	55	51	47	
	10	86	86	86	86	86	84	79	71	65	59	55	51	47	
	20	73	73	73	73	73	73	73	71	65	59	55	51	47	
	30	62	62	62	62	62	62	62	62	62	59	55	51	47	
	40	55	55	55	55	55	55	55	55	55	55	55	51	47	
	50	50	50	50	50	50	50	50	50	50	50	50	50	50	47
	60	46	46	46	46	46	46	46	46	46	46	46	46	46	46
	70	43	43	43	43	43	43	43	43	43	43	43	43	43	43
	80	40	40	40	40	40	40	40	40	40	40	40	40	40	40
90	38	38	38	38	38	38	38	38	38	38	38	38	38	38	
Zones 2h, 2r, & 3e	0	89	85	78	72	67	63	59	53	48	43	40	38	36	
	10	86	85	78	72	67	63	59	53	48	43	40	38	36	
	20	73	73	73	72	67	63	59	53	48	43	40	38	36	
	30	62	62	62	62	62	62	59	53	48	43	40	38	36	
	40	55	55	55	55	55	55	55	53	48	43	40	38	36	
	50	50	50	50	50	50	50	50	50	48	43	40	38	36	
	60	46	46	46	46	46	46	46	46	46	43	40	38	36	
	70	43	43	43	43	43	43	43	43	43	43	40	38	36	
	80	40	40	40	40	40	40	40	40	40	40	40	38	36	
90	38	38	38	38	38	38	38	38	38	38	38	38	38	36	
Zone 3r	0	84	76	70	65	61	57	53	47	43	39	36	34	32	
	10	84	76	70	65	61	57	53	47	43	39	36	34	32	
	20	73	73	70	65	61	57	53	47	43	39	36	34	32	
	30	62	62	62	62	61	57	53	47	43	39	36	34	32	
	40	55	55	55	55	55	55	53	47	43	39	36	34	32	
	50	50	50	50	50	50	50	50	47	43	39	36	34	32	
	60	46	46	46	46	46	46	46	46	43	39	36	34	32	
	70	43	43	43	43	43	43	43	43	43	39	36	34	32	
	80	40	40	40	40	40	40	40	40	40	39	36	34	32	
90	38	38	38	38	38	38	38	38	38	38	36	34	32		

Notes:

1. Tables are based on critical rail span for load combinations as specified in chapter 2 of the ASCE 7-16 and allowable design loads per the 2015 Aluminum Design Manual.
2. Panels are assumed to be in portrait orientation with a maximum length of 67.5"

Max Rail Spans for SunModo SMR100 System

Table 9a		Mean Roof Height:	$h \leq 15$ ft										Panel Orientation:	Portrait	
		Roof Angle:	$20 < \theta \leq 27$ degrees										North/South Support	$X_E = 1$	
		Exposure Category:	D										Roof Type :	Gable	
Roof Wind Zone	Ground Snow Load (psf)	Wind Speed (mph)													
		90	95	100	105	110	115	120	130	140	150	160	170	180	
Zones 1 & 2e	0	101	101	101	101	97	93	89	82	74	68	62	58	54	
	10	86	86	86	86	86	86	86	82	74	68	62	58	54	
	20	73	73	73	73	73	73	73	72	70	68	62	58	54	
	30	62	62	62	62	62	62	62	62	62	61	60	58	54	
	40	55	55	55	55	55	55	55	55	55	55	55	54	53	
	50	50	50	50	50	50	50	50	50	50	50	50	50	50	49
	60	46	46	46	46	46	46	46	46	46	46	46	46	46	46
	70	43	43	43	43	43	43	43	43	43	43	43	43	43	43
	80	40	40	40	40	40	40	40	40	40	40	40	40	40	40
90	38	38	38	38	38	38	38	38	38	38	38	38	38	38	
Zones 2h, 2r, & 3e	0	99	94	89	85	80	74	69	62	55	50	46	42	40	
	10	86	86	86	85	80	74	69	62	55	50	46	42	40	
	20	73	73	73	73	73	73	69	62	55	50	46	42	40	
	30	62	62	62	62	62	62	62	62	55	50	46	42	40	
	40	55	55	55	55	55	55	55	55	55	50	46	42	40	
	50	50	50	50	50	50	50	50	50	50	50	46	42	40	
	60	46	46	46	46	46	46	46	46	46	46	46	46	42	40
	70	43	43	43	43	43	43	43	43	43	43	43	43	42	40
	80	40	40	40	40	40	40	40	40	40	40	40	40	40	40
90	38	38	38	38	38	38	38	38	38	38	38	38	38	38	
Zone 3r	0	93	89	84	77	72	67	62	55	50	45	41	38	36	
	10	86	86	84	77	72	67	62	55	50	45	41	38	36	
	20	73	73	73	73	72	67	62	55	50	45	41	38	36	
	30	62	62	62	62	62	62	62	55	50	45	41	38	36	
	40	55	55	55	55	55	55	55	55	50	45	41	38	36	
	50	50	50	50	50	50	50	50	50	50	45	41	38	36	
	60	46	46	46	46	46	46	46	46	46	45	41	38	36	
	70	43	43	43	43	43	43	43	43	43	43	41	38	36	
	80	40	40	40	40	40	40	40	40	40	40	40	40	38	36
90	38	38	38	38	38	38	38	38	38	38	38	38	38	36	

Notes:

1. Tables are based on critical rail span for load combinations as specified in chapter 2 of the ASCE 7-16 and allowable design loads per the 2015 Aluminum Design Manual.
2. Panels are assumed to be in portrait orientation with a maximum length of 67.5"

Max Rail Spans for SunModo SMR100 System

Table 9b		Mean Roof Height: $h \leq 15$ ft		Panel Orientation: Portrait										
		Roof Angle: $20 < \theta \leq 27$ degrees		North/South Support $X_E = 1.5$										
		Exposure Category: D		Roof Type: Gable										
Roof Wind Zone	Ground Snow Load (psf)	Wind Speed (mph)												
		90	95	100	105	110	115	120	130	140	150	160	170	180
Zones 1 & 2e	0	97	92	88	84	78	74	70	63	57	53	49	45	42
	10	86	86	86	84	78	74	70	63	57	53	49	45	42
	20	73	73	73	73	73	73	70	63	57	53	49	45	42
	30	62	62	62	62	62	62	62	62	57	53	49	45	42
	40	55	55	55	55	55	55	55	55	55	53	49	45	42
	50	50	50	50	50	50	50	50	50	50	50	49	45	42
	60	46	46	46	46	46	46	46	46	46	46	46	45	42
	70	43	43	43	43	43	43	43	43	43	43	43	43	42
	80	40	40	40	40	40	40	40	40	40	40	40	40	40
90	38	38	38	38	38	38	38	38	38	38	38	38	38	38
Zones 2h, 2r, & 3e	0	79	73	67	63	59	55	52	46	42	39	36	34	32
	10	79	73	67	63	59	55	52	46	42	39	36	34	32
	20	73	73	67	63	59	55	52	46	42	39	36	34	32
	30	62	62	62	62	59	55	52	46	42	39	36	34	32
	40	55	55	55	55	55	55	52	46	42	39	36	34	32
	50	50	50	50	50	50	50	50	46	42	39	36	34	32
	60	46	46	46	46	46	46	46	46	42	39	36	34	32
	70	43	43	43	43	43	43	43	43	42	39	36	34	32
	80	40	40	40	40	40	40	40	40	40	39	36	34	32
90	38	38	38	38	38	38	38	38	38	38	36	34	32	
Zone 3r	0	71	65	60	56	52	49	46	42	38	35	32	30	28
	10	71	65	60	56	52	49	46	42	38	35	32	30	28
	20	71	65	60	56	52	49	46	42	38	35	32	30	28
	30	62	62	60	56	52	49	46	42	38	35	32	30	28
	40	55	55	55	55	52	49	46	42	38	35	32	30	28
	50	50	50	50	50	50	49	46	42	38	35	32	30	28
	60	46	46	46	46	46	46	46	42	38	35	32	30	28
	70	43	43	43	43	43	43	43	42	38	35	32	30	28
	80	40	40	40	40	40	40	40	40	38	35	32	30	28
90	38	38	38	38	38	38	38	38	38	35	32	30	28	

Notes:

1. Tables are based on critical rail span for load combinations as specified in chapter 2 of the ASCE 7-16 and allowable design loads per the 2015 Aluminum Design Manual.
2. Panels are assumed to be in portrait orientation with a maximum length of 67.5"

Max Rail Spans for SunModo SMR100 System

Table 10a		Mean Roof Height: $h \leq 15$ ft							Panel Orientation: Portrait						
		Roof Angle: $27 < \theta \leq 45$ degrees							North/South Support $X_E = 1$						
		Exposure Category: B							Roof Type: Gable						
Roof Wind Zone	Ground Snow Load (psf)	Wind Speed (mph)													
		90	95	100	105	110	115	120	130	140	150	160	170	180	
Zones 1, 2e, & 2r	0	101	101	101	101	101	101	101	101	97	93	89	85	78	
	10	86	86	86	86	86	86	86	86	84	82	80	78	76	
	20	75	75	75	75	75	75	74	73	72	71	69	68	66	
	30	64	64	64	64	64	64	64	64	64	63	62	61	60	
	40	57	57	57	57	57	57	57	57	57	57	57	57	56	
	50	52	52	52	52	52	52	52	52	52	52	52	52	52	
	60	48	48	48	48	48	48	48	48	48	48	48	48	48	
	70	45	45	45	45	45	45	45	45	45	45	45	45	45	
	80	42	42	42	42	42	42	42	42	42	42	42	42	42	
90	40	40	40	40	40	40	40	40	40	40	40	40	40		
Zones 2n & 3r	0	101	101	101	101	101	101	101	100	93	88	83	76	69	
	10	86	86	86	86	86	86	86	86	84	82	80	76	69	
	20	75	75	75	75	75	75	74	73	72	71	69	68	66	
	30	64	64	64	64	64	64	64	64	64	63	62	61	60	
	40	57	57	57	57	57	57	57	57	57	57	57	57	56	
	50	52	52	52	52	52	52	52	52	52	52	52	52	52	
	60	48	48	48	48	48	48	48	48	48	48	48	48	48	
	70	45	45	45	45	45	45	45	45	45	45	45	45	45	
	80	42	42	42	42	42	42	42	42	42	42	42	42	42	
90	40	40	40	40	40	40	40	40	40	40	40	40	40		
Zone 3e	0	101	101	101	101	101	101	97	91	85	78	70	64	59	
	10	86	86	86	86	86	86	86	86	84	78	70	64	59	
	20	75	75	75	75	75	75	74	73	72	71	69	64	59	
	30	64	64	64	64	64	64	64	64	64	63	62	61	59	
	40	57	57	57	57	57	57	57	57	57	57	57	56	55	
	50	52	52	52	52	52	52	52	52	52	52	52	52	51	
	60	48	48	48	48	48	48	48	48	48	48	48	48	48	
	70	45	45	45	45	45	45	45	45	45	45	45	45	45	
	80	42	42	42	42	42	42	42	42	42	42	42	42	42	
90	40	40	40	40	40	40	40	40	40	40	40	40	40		

Notes:

1. Tables are based on critical rail span for load combinations as specified in chapter 2 of the ASCE 7-16 and allowable design loads per the 2015 Aluminum Design Manual.
2. Panels are assumed to be in portrait orientation with a maximum length of 67.5"

Max Rail Spans for SunModo SMR100 System

Roof Wind Zone		Ground Snow Load (psf)	Wind Speed (mph)													
			90	95	100	105	110	115	120	130	140	150	160	170	180	
Zones 1, 2e, & 2r		0	101	101	101	101	101	101	97	90	84	76	68	62	57	
		10	86	86	86	86	86	86	86	86	84	76	68	62	57	
		20	75	75	75	75	75	75	74	73	72	71	68	62	57	
		30	64	64	64	64	64	64	64	64	64	64	63	62	61	57
		40	57	57	57	57	57	57	57	57	57	57	57	57	56	55
		50	52	52	52	52	52	52	52	52	52	52	52	52	52	51
		60	48	48	48	48	48	48	48	48	48	48	48	48	48	48
		70	45	45	45	45	45	45	45	45	45	45	45	45	45	45
		80	42	42	42	42	42	42	42	42	42	42	42	42	42	42
		90	40	40	40	40	40	40	40	40	40	40	40	40	40	40
Zones 2n & 3r		0	101	101	101	101	97	93	89	83	75	67	61	56	52	
		10	86	86	86	86	86	86	86	83	75	67	61	56	52	
		20	75	75	75	75	75	75	74	73	72	67	61	56	52	
		30	64	64	64	64	64	64	64	64	64	63	61	56	52	
		40	57	57	57	57	57	57	57	57	57	57	57	56	52	
		50	52	52	52	52	52	52	52	52	52	52	52	52	52	51
		60	48	48	48	48	48	48	48	48	48	48	48	48	48	48
		70	45	45	45	45	45	45	45	45	45	45	45	45	45	45
		80	42	42	42	42	42	42	42	42	42	42	42	42	42	42
		90	40	40	40	40	40	40	40	40	40	40	40	40	40	40
Zone 3e		0	101	100	96	92	88	84	81	71	64	57	52	48	45	
		10	86	86	86	86	86	84	81	71	64	57	52	48	45	
		20	75	75	75	75	75	75	74	71	64	57	52	48	45	
		30	64	64	64	64	64	64	64	64	64	57	52	48	45	
		40	57	57	57	57	57	57	57	57	57	57	52	48	45	
		50	52	52	52	52	52	52	52	52	52	52	52	48	45	
		60	48	48	48	48	48	48	48	48	48	48	48	48	45	
		70	45	45	45	45	45	45	45	45	45	45	45	45	45	
		80	42	42	42	42	42	42	42	42	42	42	42	42	42	
		90	40	40	40	40	40	40	40	40	40	40	40	40	40	

Notes:

1. Tables are based on critical rail span for load combinations as specified in chapter 2 of the ASCE 7-16 and allowable design loads per the 2015 Aluminum Design Manual.
2. Panels are assumed to be in portrait orientation with a maximum length of 67.5"

Max Rail Spans for SunModo SMR100 System

Roof Wind Zone		Ground Snow Load (psf)	Wind Speed (mph)													
			90	95	100	105	110	115	120	130	140	150	160	170	180	
Zones 1, 2e, & 2r		0	101	101	101	101	100	97	95	90	84	76	68	62	57	
		10	86	86	86	86	85	84	82	80	78	75	68	62	57	
		20	75	75	74	73	73	72	71	69	68	66	64	62	57	
		30	64	64	64	64	64	64	64	63	62	61	60	58	57	55
		40	57	57	57	57	57	57	57	57	57	56	55	54	53	51
		50	52	52	52	52	52	52	52	52	52	52	51	50	49	48
		60	48	48	48	48	48	48	48	48	48	48	48	47	46	46
		70	45	45	45	45	45	45	45	45	45	45	45	45	44	43
		80	42	42	42	42	42	42	42	42	42	42	42	42	42	41
		90	40	40	40	40	40	40	40	40	40	40	40	40	40	40
Zones 2n & 3r		0	101	101	101	101	97	93	90	84	75	68	62	56	52	
		10	86	86	86	86	85	84	82	80	75	68	62	56	52	
		20	75	75	74	73	73	72	71	69	68	66	62	56	52	
		30	64	64	64	64	64	64	64	63	62	61	60	58	56	52
		40	57	57	57	57	57	57	57	57	57	56	55	54	53	51
		50	52	52	52	52	52	52	52	52	52	52	51	50	49	48
		60	48	48	48	48	48	48	48	48	48	48	48	47	46	46
		70	45	45	45	45	45	45	45	45	45	45	45	45	44	43
		80	42	42	42	42	42	42	42	42	42	42	42	42	42	41
		90	40	40	40	40	40	40	40	40	40	40	40	40	40	40
Zone 3e		0	101	101	96	92	88	85	81	71	64	58	53	48	45	
		10	86	86	86	86	85	84	81	71	64	58	53	48	45	
		20	75	75	74	73	73	72	71	69	64	58	53	48	45	
		30	64	64	64	64	64	64	64	63	62	61	58	53	48	45
		40	57	57	57	57	57	57	57	57	57	56	55	53	48	45
		50	52	52	52	52	52	52	52	52	52	52	51	50	48	45
		60	48	48	48	48	48	48	48	48	48	48	48	47	46	45
		70	45	45	45	45	45	45	45	45	45	45	45	45	44	43
		80	42	42	42	42	42	42	42	42	42	42	42	42	42	41
		90	40	40	40	40	40	40	40	40	40	40	40	40	40	40

Notes:

1. Tables are based on critical rail span for load combinations as specified in chapter 2 of the ASCE 7-16 and allowable design loads per the 2015 Aluminum Design Manual.
2. Panels are assumed to be in portrait orientation with a maximum length of 67.5"

Max Rail Spans for SunModo SMR100 System

Roof Wind Zone		Ground Snow Load (psf)	Wind Speed (mph)													
			90	95	100	105	110	115	120	130	140	150	160	170	180	
Zones 1, 2e, & 2r		0	101	100	95	91	87	84	79	69	61	55	50	46	43	
		10	86	86	86	86	85	84	79	69	61	55	50	46	43	
		20	75	75	74	73	73	72	71	69	61	55	50	46	43	
		30	64	64	64	64	64	64	63	62	61	55	50	46	43	
		40	57	57	57	57	57	57	57	57	56	55	50	46	43	
		50	52	52	52	52	52	52	52	52	52	51	50	46	43	
		60	48	48	48	48	48	48	48	48	48	48	48	47	46	43
		70	45	45	45	45	45	45	45	45	45	45	45	45	44	43
		80	42	42	42	42	42	42	42	42	42	42	42	42	42	41
		90	40	40	40	40	40	40	40	40	40	40	40	40	40	40
Zones 2n & 3r		0	97	92	88	84	80	74	70	62	56	51	46	43	40	
		10	86	86	86	84	80	74	70	62	56	51	46	43	40	
		20	75	75	74	73	73	72	70	62	56	51	46	43	40	
		30	64	64	64	64	64	64	63	62	56	51	46	43	40	
		40	57	57	57	57	57	57	57	57	56	51	46	43	40	
		50	52	52	52	52	52	52	52	52	52	51	46	43	40	
		60	48	48	48	48	48	48	48	48	48	48	48	46	43	40
		70	45	45	45	45	45	45	45	45	45	45	45	45	43	40
		80	42	42	42	42	42	42	42	42	42	42	42	42	42	40
		90	40	40	40	40	40	40	40	40	40	40	40	40	40	40
Zone 3e		0	88	84	78	73	68	63	59	53	48	44	40	38	35	
		10	86	84	78	73	68	63	59	53	48	44	40	38	35	
		20	75	75	74	73	68	63	59	53	48	44	40	38	35	
		30	64	64	64	64	64	63	59	53	48	44	40	38	35	
		40	57	57	57	57	57	57	57	53	48	44	40	38	35	
		50	52	52	52	52	52	52	52	52	48	44	40	38	35	
		60	48	48	48	48	48	48	48	48	48	44	40	38	35	
		70	45	45	45	45	45	45	45	45	45	44	40	38	35	
		80	42	42	42	42	42	42	42	42	42	42	40	38	35	
		90	40	40	40	40	40	40	40	40	40	40	40	38	35	

Notes:

1. Tables are based on critical rail span for load combinations as specified in chapter 2 of the ASCE 7-16 and allowable design loads per the 2015 Aluminum Design Manual.
2. Panels are assumed to be in portrait orientation with a maximum length of 67.5"

Max Rail Spans for SunModo SMR100 System

Table 12a		Mean Roof Height:	$h \leq 15$ ft										Panel Orientation:	Portrait	
		Roof Angle:	$27 < \theta \leq 45$ degrees										North/South Support	$X_E = 1$	
		Exposure Category:	D										Roof Type :	Gable	
Roof Wind Zone	Ground Snow Load (psf)	Wind Speed (mph)													
		90	95	100	105	110	115	120	130	140	150	160	170	180	
Zones 1, 2e, & 2r	0	101	101	100	97	94	92	89	82	73	65	59	54	49	
	10	86	86	85	84	82	81	79	77	73	65	59	54	49	
	20	74	73	73	72	71	70	69	67	65	63	59	54	49	
	30	64	64	64	64	63	63	62	60	59	57	56	54	49	
	40	57	57	57	57	57	57	57	55	54	53	52	51	49	
	50	52	52	52	52	52	52	52	52	51	50	49	48	47	
	60	48	48	48	48	48	48	48	48	48	47	46	45	44	
	70	45	45	45	45	45	45	45	45	45	44	44	43	42	
	80	42	42	42	42	42	42	42	42	42	42	42	41	40	
90	40	40	40	40	40	40	40	40	40	40	40	39	39		
Zones 2n & 3r	0	101	101	97	93	89	85	82	73	65	59	54	49	46	
	10	86	86	85	84	82	81	79	73	65	59	54	49	46	
	20	74	73	73	72	71	70	69	67	65	59	54	49	46	
	30	64	64	64	64	63	63	62	60	59	57	54	49	46	
	40	57	57	57	57	57	57	57	55	54	53	52	49	46	
	50	52	52	52	52	52	52	52	52	51	50	49	48	46	
	60	48	48	48	48	48	48	48	48	48	47	46	45	44	
	70	45	45	45	45	45	45	45	45	45	44	44	43	42	
	80	42	42	42	42	42	42	42	42	42	42	42	41	40	
90	40	40	40	40	40	40	40	40	40	40	40	39	39		
Zone 3e	0	97	92	88	84	80	74	70	62	56	50	46	43	40	
	10	86	86	85	84	80	74	70	62	56	50	46	43	40	
	20	74	73	73	72	71	70	69	62	56	50	46	43	40	
	30	64	64	64	64	63	63	62	60	56	50	46	43	40	
	40	57	57	57	57	57	57	57	55	54	50	46	43	40	
	50	52	52	52	52	52	52	52	52	51	50	46	43	40	
	60	48	48	48	48	48	48	48	48	48	47	46	43	40	
	70	45	45	45	45	45	45	45	45	45	44	44	43	40	
	80	42	42	42	42	42	42	42	42	42	42	42	41	40	
90	40	40	40	40	40	40	40	40	40	40	40	39	39		

Notes:

1. Tables are based on critical rail span for load combinations as specified in chapter 2 of the ASCE 7-16 and allowable design loads per the 2015 Aluminum Design Manual.
2. Panels are assumed to be in portrait orientation with a maximum length of 67.5"

Max Rail Spans for SunModo SMR100 System

Roof Wind Zone		Ground Snow Load (psf)	Wind Speed (mph)												
			90	95	100	105	110	115	120	130	140	150	160	170	180
Zones 1, 2e, & 2r		0	96	91	87	83	78	72	67	59	53	48	44	41	38
		10	86	86	85	83	78	72	67	59	53	48	44	41	38
		20	74	73	73	72	71	70	67	59	53	48	44	41	38
		30	64	64	64	64	63	63	62	59	53	48	44	41	38
		40	57	57	57	57	57	57	57	55	53	48	44	41	38
		50	52	52	52	52	52	52	52	52	51	48	44	41	38
		60	48	48	48	48	48	48	48	48	48	47	44	41	38
		70	45	45	45	45	45	45	45	45	45	44	44	41	38
		80	42	42	42	42	42	42	42	42	42	42	42	41	38
		90	40	40	40	40	40	40	40	40	40	40	40	40	39
Zones 2n & 3r		0	89	85	80	74	69	64	61	54	49	44	41	39	36
		10	86	85	80	74	69	64	61	54	49	44	41	39	36
		20	74	73	73	72	69	64	61	54	49	44	41	39	36
		30	64	64	64	64	63	63	61	54	49	44	41	39	36
		40	57	57	57	57	57	57	57	54	49	44	41	39	36
		50	52	52	52	52	52	52	52	52	49	44	41	39	36
		60	48	48	48	48	48	48	48	48	48	44	41	39	36
		70	45	45	45	45	45	45	45	45	45	44	41	39	36
		80	42	42	42	42	42	42	42	42	42	42	41	39	36
		90	40	40	40	40	40	40	40	40	40	40	40	40	39
Zone 3e		0	79	73	67	63	59	55	52	46	42	39	36	34	31
		10	79	73	67	63	59	55	52	46	42	39	36	34	31
		20	74	73	67	63	59	55	52	46	42	39	36	34	31
		30	64	64	64	63	59	55	52	46	42	39	36	34	31
		40	57	57	57	57	57	55	52	46	42	39	36	34	31
		50	52	52	52	52	52	52	52	46	42	39	36	34	31
		60	48	48	48	48	48	48	48	46	42	39	36	34	31
		70	45	45	45	45	45	45	45	45	42	39	36	34	31
		80	42	42	42	42	42	42	42	42	42	39	36	34	31
		90	40	40	40	40	40	40	40	40	40	39	36	34	31

Notes:

1. Tables are based on critical rail span for load combinations as specified in chapter 2 of the ASCE 7-16 and allowable design loads per the 2015 Aluminum Design Manual.
2. Panels are assumed to be in portrait orientation with a maximum length of 67.5"

Max Rail Spans for SunModo SMR100 System

Table 13a		Mean Roof Height: $h \leq 15$ ft											Panel Orientation: Portrait		
		Roof Angle: $7 < \theta \leq 20$ degrees											North/South Support $X_E = 1$		
		Exposure Category: B											Roof Type: Hip $h/B = \geq 0.8$		
Roof Wind Zone	Ground Snow Load (psf)	Wind Speed (mph)													
		90	95	100	105	110	115	120	130	140	150	160	170	180	
Zone 1	0	101	101	101	101	101	101	101	101	101	94	88	80	74	69
	10	80	80	80	80	80	80	80	80	80	80	79	77	74	69
	20	62	62	62	62	62	62	62	62	62	62	62	62	62	61
	30	62	62	62	62	62	62	62	62	62	62	62	62	62	61
	40	55	55	55	55	55	55	55	55	55	55	55	55	55	55
	50	50	50	50	50	50	50	50	50	50	50	50	50	50	50
	60	46	46	46	46	46	46	46	46	46	46	46	46	46	46
	70	43	43	43	43	43	43	43	43	43	43	43	43	43	43
	80	40	40	40	40	40	40	40	40	40	40	40	40	40	40
90	38	38	38	38	38	38	38	38	38	38	38	38	38	38	
Zone 2r	0	101	101	101	101	101	101	100	93	86	77	70	64	60	
	10	80	80	80	80	80	80	80	80	80	77	70	64	60	
	20	62	62	62	62	62	62	62	62	62	62	62	62	60	
	30	62	62	62	62	62	62	62	62	62	62	62	62	60	
	40	55	55	55	55	55	55	55	55	55	55	55	55	55	
	50	50	50	50	50	50	50	50	50	50	50	50	50	50	
	60	46	46	46	46	46	46	46	46	46	46	46	46	46	
	70	43	43	43	43	43	43	43	43	43	43	43	43	43	
	80	40	40	40	40	40	40	40	40	40	40	40	40	40	
90	38	38	38	38	38	38	38	38	38	38	38	38	38		
Zones 2e & 3	0	101	101	101	101	101	100	96	89	81	73	66	61	56	
	10	80	80	80	80	80	80	80	80	80	73	66	61	56	
	20	62	62	62	62	62	62	62	62	62	62	62	61	56	
	30	62	62	62	62	62	62	62	62	62	62	62	61	56	
	40	55	55	55	55	55	55	55	55	55	55	55	55	55	
	50	50	50	50	50	50	50	50	50	50	50	50	50	50	
	60	46	46	46	46	46	46	46	46	46	46	46	46	46	
	70	43	43	43	43	43	43	43	43	43	43	43	43	43	
	80	40	40	40	40	40	40	40	40	40	40	40	40	40	
90	38	38	38	38	38	38	38	38	38	38	38	38	38		

Notes:

1. Tables are based on critical rail span for load combinations as specified in chapter 2 of the ASCE 7-16 and allowable design loads per the 2015 Aluminum Design Manual.
2. Panels are assumed to be in portrait orientation with a maximum length of 67.5"

Max Rail Spans for SunModo SMR100 System

Roof Wind Zone		Ground Snow Load (psf)	Wind Speed (mph)														
			90	95	100	105	110	115	120	130	140	150	160	170	180		
Zone 1		0	101	101	101	101	98	94	90	81	73	67	62	57	54		
		10	80	80	80	80	80	80	80	80	80	73	67	62	57	54	
		20	62	62	62	62	62	62	62	62	62	62	62	62	57	54	
		30	62	62	62	62	62	62	62	62	62	62	62	62	57	54	
		40	55	55	55	55	55	55	55	55	55	55	55	55	55	54	
		50	50	50	50	50	50	50	50	50	50	50	50	50	50	50	50
		60	46	46	46	46	46	46	46	46	46	46	46	46	46	46	46
		70	43	43	43	43	43	43	43	43	43	43	43	43	43	43	43
		80	40	40	40	40	40	40	40	40	40	40	40	40	40	40	40
		90	38	38	38	38	38	38	38	38	38	38	38	38	38	38	38
Zone 2r		0	101	101	98	94	90	85	80	71	64	58	53	49	45		
		10	80	80	80	80	80	80	80	80	71	64	58	53	49	45	
		20	62	62	62	62	62	62	62	62	62	62	58	53	49	45	
		30	62	62	62	62	62	62	62	62	62	62	58	53	49	45	
		40	55	55	55	55	55	55	55	55	55	55	55	53	49	45	
		50	50	50	50	50	50	50	50	50	50	50	50	50	49	45	
		60	46	46	46	46	46	46	46	46	46	46	46	46	46	45	
		70	43	43	43	43	43	43	43	43	43	43	43	43	43	43	43
		80	40	40	40	40	40	40	40	40	40	40	40	40	40	40	40
		90	38	38	38	38	38	38	38	38	38	38	38	38	38	38	38
Zones 2e & 3		0	101	99	94	90	85	80	75	67	60	55	50	46	43		
		10	80	80	80	80	80	80	80	75	67	60	55	50	46	43	
		20	62	62	62	62	62	62	62	62	62	60	55	50	46	43	
		30	62	62	62	62	62	62	62	62	62	60	55	50	46	43	
		40	55	55	55	55	55	55	55	55	55	55	55	50	46	43	
		50	50	50	50	50	50	50	50	50	50	50	50	50	46	43	
		60	46	46	46	46	46	46	46	46	46	46	46	46	46	43	
		70	43	43	43	43	43	43	43	43	43	43	43	43	43	43	43
		80	40	40	40	40	40	40	40	40	40	40	40	40	40	40	40
		90	38	38	38	38	38	38	38	38	38	38	38	38	38	38	38

Notes:

1. Tables are based on critical rail span for load combinations as specified in chapter 2 of the ASCE 7-16 and allowable design loads per the 2015 Aluminum Design Manual.
2. Panels are assumed to be in portrait orientation with a maximum length of 67.5"

Max Rail Spans for SunModo SMR100 System

Table 14a		Mean Roof Height:	$h \leq 15$ ft										Panel Orientation:	Portrait	
		Roof Angle:	$7 < \theta \leq 20$ degrees										North/South Support	$X_E = 1$	
		Exposure Category:	C										Roof Type :	Hip $h/B = \geq 0.8$	
Roof Wind Zone	Ground Snow Load (psf)	Wind Speed (mph)													
		90	95	100	105	110	115	120	130	140	150	160	170	180	
Zone 1	0	101	101	101	101	98	94	90	81	74	67	62	58	54	
	10	80	80	80	80	80	80	79	78	74	67	62	58	54	
	20	62	62	62	62	62	62	62	62	62	61	60	58	54	
	30	62	62	62	62	62	62	62	62	62	61	60	58	54	
	40	55	55	55	55	55	55	55	55	55	55	54	54	53	
	50	50	50	50	50	50	50	50	50	50	50	50	50	50	49
	60	46	46	46	46	46	46	46	46	46	46	46	46	46	46
	70	43	43	43	43	43	43	43	43	43	43	43	43	43	43
	80	40	40	40	40	40	40	40	40	40	40	40	40	40	40
90	38	38	38	38	38	38	38	38	38	38	38	38	38	38	
Zone 2r	0	101	101	98	94	90	85	80	71	64	58	53	49	46	
	10	80	80	80	80	80	80	79	71	64	58	53	49	46	
	20	62	62	62	62	62	62	62	62	62	58	53	49	46	
	30	62	62	62	62	62	62	62	62	62	58	53	49	46	
	40	55	55	55	55	55	55	55	55	55	55	53	49	46	
	50	50	50	50	50	50	50	50	50	50	50	50	50	49	46
	60	46	46	46	46	46	46	46	46	46	46	46	46	46	46
	70	43	43	43	43	43	43	43	43	43	43	43	43	43	43
	80	40	40	40	40	40	40	40	40	40	40	40	40	40	40
90	38	38	38	38	38	38	38	38	38	38	38	38	38	38	
Zones 2e & 3	0	101	99	95	91	86	80	75	67	60	55	50	47	43	
	10	80	80	80	80	80	80	75	67	60	55	50	47	43	
	20	62	62	62	62	62	62	62	62	60	55	50	47	43	
	30	62	62	62	62	62	62	62	62	60	55	50	47	43	
	40	55	55	55	55	55	55	55	55	55	55	50	47	43	
	50	50	50	50	50	50	50	50	50	50	50	50	47	43	
	60	46	46	46	46	46	46	46	46	46	46	46	46	43	
	70	43	43	43	43	43	43	43	43	43	43	43	43	43	
	80	40	40	40	40	40	40	40	40	40	40	40	40	40	
90	38	38	38	38	38	38	38	38	38	38	38	38	38		

Notes:

1. Tables are based on critical rail span for load combinations as specified in chapter 2 of the ASCE 7-16 and allowable design loads per the 2015 Aluminum Design Manual.
2. Panels are assumed to be in portrait orientation with a maximum length of 67.5"

Max Rail Spans for SunModo SMR100 System

Roof Wind Zone		Ground Snow Load (psf)	Wind Speed (mph)												
			90	95	100	105	110	115	120	130	140	150	160	170	180
Zone 1		0	98	93	89	82	77	73	69	63	57	52	49	45	42
		10	80	80	80	80	77	73	69	63	57	52	49	45	42
		20	62	62	62	62	62	62	62	62	57	52	49	45	42
		30	62	62	62	62	62	62	62	62	57	52	49	45	42
		40	55	55	55	55	55	55	55	55	55	52	49	45	42
		50	50	50	50	50	50	50	50	50	50	50	49	45	42
		60	46	46	46	46	46	46	46	46	46	46	46	45	42
		70	43	43	43	43	43	43	43	43	43	43	43	43	42
		80	40	40	40	40	40	40	40	40	40	40	40	40	40
		90	38	38	38	38	38	38	38	38	38	38	38	38	38
Zone 2r		0	90	84	77	72	67	63	60	54	49	44	41	39	36
		10	80	80	77	72	67	63	60	54	49	44	41	39	36
		20	62	62	62	62	62	62	60	54	49	44	41	39	36
		30	62	62	62	62	62	62	60	54	49	44	41	39	36
		40	55	55	55	55	55	55	55	54	49	44	41	39	36
		50	50	50	50	50	50	50	50	50	49	44	41	39	36
		60	46	46	46	46	46	46	46	46	46	44	41	39	36
		70	43	43	43	43	43	43	43	43	43	43	41	39	36
		80	40	40	40	40	40	40	40	40	40	40	40	39	36
		90	38	38	38	38	38	38	38	38	38	38	38	38	36
Zones 2e & 3		0	86	79	73	68	64	60	57	51	46	42	39	37	35
		10	80	79	73	68	64	60	57	51	46	42	39	37	35
		20	62	62	62	62	62	60	57	51	46	42	39	37	35
		30	62	62	62	62	62	60	57	51	46	42	39	37	35
		40	55	55	55	55	55	55	55	51	46	42	39	37	35
		50	50	50	50	50	50	50	50	50	46	42	39	37	35
		60	46	46	46	46	46	46	46	46	46	42	39	37	35
		70	43	43	43	43	43	43	43	43	43	42	39	37	35
		80	40	40	40	40	40	40	40	40	40	40	39	37	35
		90	38	38	38	38	38	38	38	38	38	38	38	37	35

Notes:

1. Tables are based on critical rail span for load combinations as specified in chapter 2 of the ASCE 7-16 and allowable design loads per the 2015 Aluminum Design Manual.
2. Panels are assumed to be in portrait orientation with a maximum length of 67.5"

Max Rail Spans for SunModo SMR100 System

Table 15a		Mean Roof Height: $h \leq 15$ ft											Panel Orientation: Portrait		
		Roof Angle: $7 < \theta \leq 20$ degrees											North/South Support $X_E = 1$		
		Exposure Category: D											Roof Type: Hip $h/B = \geq 0.8$		
Roof Wind Zone	Ground Snow Load (psf)	Wind Speed (mph)													
		90	95	100	105	110	115	120	130	140	150	160	170	180	
Zone 1	0	101	101	98	94	90	84	80	72	65	60	55	51	48	
	10	80	80	80	80	79	78	77	72	65	60	55	51	48	
	20	62	62	62	62	62	62	62	62	60	59	55	51	48	
	30	62	62	62	62	62	62	62	62	60	59	55	51	48	
	40	55	55	55	55	55	55	55	55	55	54	53	51	48	
	50	50	50	50	50	50	50	50	50	50	50	50	49	48	48
	60	46	46	46	46	46	46	46	46	46	46	46	46	45	45
	70	43	43	43	43	43	43	43	43	43	43	43	43	43	42
	80	40	40	40	40	40	40	40	40	40	40	40	40	40	40
90	38	38	38	38	38	38	38	38	38	38	38	38	38	38	
Zone 2r	0	99	94	90	85	79	74	69	62	56	51	47	43	41	
	10	80	80	80	80	79	74	69	62	56	51	47	43	41	
	20	62	62	62	62	62	62	62	62	56	51	47	43	41	
	30	62	62	62	62	62	62	62	62	56	51	47	43	41	
	40	55	55	55	55	55	55	55	55	55	51	47	43	41	
	50	50	50	50	50	50	50	50	50	50	50	47	43	41	
	60	46	46	46	46	46	46	46	46	46	46	46	46	43	41
	70	43	43	43	43	43	43	43	43	43	43	43	43	43	41
	80	40	40	40	40	40	40	40	40	40	40	40	40	40	40
90	38	38	38	38	38	38	38	38	38	38	38	38	38	38	
Zones 2e & 3	0	96	91	86	80	74	70	66	59	53	48	44	41	39	
	10	80	80	80	80	74	70	66	59	53	48	44	41	39	
	20	62	62	62	62	62	62	62	59	53	48	44	41	39	
	30	62	62	62	62	62	62	62	59	53	48	44	41	39	
	40	55	55	55	55	55	55	55	55	53	48	44	41	39	
	50	50	50	50	50	50	50	50	50	50	48	44	41	39	
	60	46	46	46	46	46	46	46	46	46	46	44	41	39	
	70	43	43	43	43	43	43	43	43	43	43	43	41	39	
	80	40	40	40	40	40	40	40	40	40	40	40	40	39	
90	38	38	38	38	38	38	38	38	38	38	38	38	38		

Notes:

1. Tables are based on critical rail span for load combinations as specified in chapter 2 of the ASCE 7-16 and allowable design loads per the 2015 Aluminum Design Manual.
2. Panels are assumed to be in portrait orientation with a maximum length of 67.5"

Max Rail Spans for SunModo SMR100 System

Roof Wind Zone		Ground Snow Load (psf)	Wind Speed (mph)													
			90	95	100	105	110	115	120	130	140	150	160	170	180	
Zone 1		0	89	83	77	73	68	65	61	56	51	47	43	40	38	
		10	80	80	77	73	68	65	61	56	51	47	43	40	38	
		20	62	62	62	62	62	62	62	61	56	51	47	43	40	38
		30	62	62	62	62	62	62	62	61	56	51	47	43	40	38
		40	55	55	55	55	55	55	55	55	55	51	47	43	40	38
		50	50	50	50	50	50	50	50	50	50	50	47	43	40	38
		60	46	46	46	46	46	46	46	46	46	46	46	43	40	38
		70	43	43	43	43	43	43	43	43	43	43	43	43	40	38
		80	40	40	40	40	40	40	40	40	40	40	40	40	40	38
		90	38	38	38	38	38	38	38	38	38	38	38	38	38	38
Zone 2r		0	79	73	67	63	59	56	52	47	43	40	37	35	33	
		10	79	73	67	63	59	56	52	47	43	40	37	35	33	
		20	62	62	62	62	59	56	52	47	43	40	37	35	33	
		30	62	62	62	62	59	56	52	47	43	40	37	35	33	
		40	55	55	55	55	55	55	52	47	43	40	37	35	33	
		50	50	50	50	50	50	50	50	47	43	40	37	35	33	
		60	46	46	46	46	46	46	46	46	46	43	40	37	35	33
		70	43	43	43	43	43	43	43	43	43	43	40	37	35	33
		80	40	40	40	40	40	40	40	40	40	40	40	37	35	33
		90	38	38	38	38	38	38	38	38	38	38	38	37	35	33
Zones 2e & 3		0	74	69	64	60	56	53	50	45	41	38	36	33	31	
		10	74	69	64	60	56	53	50	45	41	38	36	33	31	
		20	62	62	62	60	56	53	50	45	41	38	36	33	31	
		30	62	62	62	60	56	53	50	45	41	38	36	33	31	
		40	55	55	55	55	55	53	50	45	41	38	36	33	31	
		50	50	50	50	50	50	50	50	45	41	38	36	33	31	
		60	46	46	46	46	46	46	46	45	41	38	36	33	31	
		70	43	43	43	43	43	43	43	43	41	38	36	33	31	
		80	40	40	40	40	40	40	40	40	40	38	36	33	31	
		90	38	38	38	38	38	38	38	38	38	38	36	33	31	

Notes:

1. Tables are based on critical rail span for load combinations as specified in chapter 2 of the ASCE 7-16 and allowable design loads per the 2015 Aluminum Design Manual.
2. Panels are assumed to be in portrait orientation with a maximum length of 67.5"

Max Rail Spans for SunModo SMR100 System

Roof Wind Zone		Ground Snow Load (psf)	Wind Speed (mph)													
			90	95	100	105	110	115	120	130	140	150	160	170	180	
Zone 1		0	101	101	101	101	101	101	101	101	101	101	96	91	85	
		10	80	80	80	80	80	80	80	80	80	78	77	76	74	73
		20	62	62	62	62	62	62	62	62	62	62	62	62	61	60
		30	62	62	62	62	62	62	62	62	62	62	62	62	61	60
		40	55	55	55	55	55	55	55	55	55	55	55	55	55	55
		50	50	50	50	50	50	50	50	50	50	50	50	50	50	50
		60	46	46	46	46	46	46	46	46	46	46	46	46	46	46
		70	43	43	43	43	43	43	43	43	43	43	43	43	43	43
		80	40	40	40	40	40	40	40	40	40	40	40	40	40	40
		90	38	38	38	38	38	38	38	38	38	38	38	38	38	38
Zone 2r		0	101	101	101	101	101	101	100	93	86	77	70	64	60	
		10	80	80	80	80	80	80	80	80	80	78	77	70	64	60
		20	62	62	62	62	62	62	62	62	62	62	62	62	61	60
		30	62	62	62	62	62	62	62	62	62	62	62	62	61	60
		40	55	55	55	55	55	55	55	55	55	55	55	55	55	55
		50	50	50	50	50	50	50	50	50	50	50	50	50	50	50
		60	46	46	46	46	46	46	46	46	46	46	46	46	46	46
		70	43	43	43	43	43	43	43	43	43	43	43	43	43	43
		80	40	40	40	40	40	40	40	40	40	40	40	40	40	40
		90	38	38	38	38	38	38	38	38	38	38	38	38	38	38
Zones 2e & 3		0	101	101	101	101	101	101	101	101	98	92	86	78	72	
		10	80	80	80	80	80	80	80	80	80	78	77	76	74	72
		20	62	62	62	62	62	62	62	62	62	62	62	62	61	60
		30	62	62	62	62	62	62	62	62	62	62	62	62	61	60
		40	55	55	55	55	55	55	55	55	55	55	55	55	55	55
		50	50	50	50	50	50	50	50	50	50	50	50	50	50	50
		60	46	46	46	46	46	46	46	46	46	46	46	46	46	46
		70	43	43	43	43	43	43	43	43	43	43	43	43	43	43
		80	40	40	40	40	40	40	40	40	40	40	40	40	40	40
		90	38	38	38	38	38	38	38	38	38	38	38	38	38	38

Notes:

1. Tables are based on critical rail span for load combinations as specified in chapter 2 of the ASCE 7-16 and allowable design loads per the 2015 Aluminum Design Manual.
2. Panels are assumed to be in portrait orientation with a maximum length of 67.5"

Max Rail Spans for SunModo SMR100 System

Roof Wind Zone		Ground Snow Load (psf)	Wind Speed (mph)													
			90	95	100	105	110	115	120	130	140	150	160	170	180	
Zone 1		0	101	101	101	101	101	101	101	97	90	83	76	70	66	
		10	80	80	80	80	80	80	80	80	80	78	77	76	70	66
		20	62	62	62	62	62	62	62	62	62	62	62	62	61	60
		30	62	62	62	62	62	62	62	62	62	62	62	62	61	60
		40	55	55	55	55	55	55	55	55	55	55	55	55	55	55
		50	50	50	50	50	50	50	50	50	50	50	50	50	50	50
		60	46	46	46	46	46	46	46	46	46	46	46	46	46	46
		70	43	43	43	43	43	43	43	43	43	43	43	43	43	43
		80	40	40	40	40	40	40	40	40	40	40	40	40	40	40
		90	38	38	38	38	38	38	38	38	38	38	38	38	38	38
Zone 2r		0	101	101	98	94	90	85	80	71	64	58	53	49	45	
		10	80	80	80	80	80	80	80	80	71	64	58	53	49	45
		20	62	62	62	62	62	62	62	62	62	62	58	53	49	45
		30	62	62	62	62	62	62	62	62	62	62	58	53	49	45
		40	55	55	55	55	55	55	55	55	55	55	55	53	49	45
		50	50	50	50	50	50	50	50	50	50	50	50	50	49	45
		60	46	46	46	46	46	46	46	46	46	46	46	46	46	45
		70	43	43	43	43	43	43	43	43	43	43	43	43	43	43
		80	40	40	40	40	40	40	40	40	40	40	40	40	40	40
		90	38	38	38	38	38	38	38	38	38	38	38	38	38	38
Zones 2e & 3		0	101	101	101	101	101	97	94	86	77	70	64	59	55	
		10	80	80	80	80	80	80	80	80	77	70	64	59	55	
		20	62	62	62	62	62	62	62	62	62	62	62	62	59	55
		30	62	62	62	62	62	62	62	62	62	62	62	62	59	55
		40	55	55	55	55	55	55	55	55	55	55	55	55	55	55
		50	50	50	50	50	50	50	50	50	50	50	50	50	50	50
		60	46	46	46	46	46	46	46	46	46	46	46	46	46	46
		70	43	43	43	43	43	43	43	43	43	43	43	43	43	43
		80	40	40	40	40	40	40	40	40	40	40	40	40	40	40
		90	38	38	38	38	38	38	38	38	38	38	38	38	38	38

Notes:

1. Tables are based on critical rail span for load combinations as specified in chapter 2 of the ASCE 7-16 and allowable design loads per the 2015 Aluminum Design Manual.
2. Panels are assumed to be in portrait orientation with a maximum length of 67.5"

Max Rail Spans for SunModo SMR100 System

Table 17a		Mean Roof Height:	$h \leq 15$ ft										Panel Orientation:	Portrait	
		Roof Angle:	$7 < \theta \leq 20$ degrees										North/South Support	$X_E = 1$	
		Exposure Category:	C										Roof Type :	Hip $h/B = \leq 0.5$	
Roof Wind Zone	Ground Snow Load (psf)	Wind Speed (mph)													
		90	95	100	105	110	115	120	130	140	150	160	170	180	
Zone 1	0	101	101	101	101	101	101	101	97	91	83	77	71	66	
	10	80	80	80	80	79	78	77	76	74	72	70	68	66	
	20	62	62	62	62	62	62	62	62	61	60	59	58	57	
	30	62	62	62	62	62	62	62	62	61	60	59	58	57	
	40	55	55	55	55	55	55	55	55	55	55	54	53	52	
	50	50	50	50	50	50	50	50	50	50	50	50	50	49	49
	60	46	46	46	46	46	46	46	46	46	46	46	46	46	46
	70	43	43	43	43	43	43	43	43	43	43	43	43	43	43
	80	40	40	40	40	40	40	40	40	40	40	40	40	40	40
90	38	38	38	38	38	38	38	38	38	38	38	38	38	38	
Zone 2r	0	101	101	98	94	90	85	80	71	64	58	53	49	46	
	10	80	80	80	80	79	78	77	71	64	58	53	49	46	
	20	62	62	62	62	62	62	62	62	61	58	53	49	46	
	30	62	62	62	62	62	62	62	62	61	58	53	49	46	
	40	55	55	55	55	55	55	55	55	55	55	53	49	46	
	50	50	50	50	50	50	50	50	50	50	50	50	50	49	46
	60	46	46	46	46	46	46	46	46	46	46	46	46	46	46
	70	43	43	43	43	43	43	43	43	43	43	43	43	43	43
	80	40	40	40	40	40	40	40	40	40	40	40	40	40	40
90	38	38	38	38	38	38	38	38	38	38	38	38	38	38	
Zones 2e & 3	0	101	101	101	101	101	98	94	87	78	70	64	59	55	
	10	80	80	80	80	79	78	77	76	74	70	64	59	55	
	20	62	62	62	62	62	62	62	62	61	60	59	58	55	
	30	62	62	62	62	62	62	62	62	61	60	59	58	55	
	40	55	55	55	55	55	55	55	55	55	55	54	53	52	
	50	50	50	50	50	50	50	50	50	50	50	50	50	49	49
	60	46	46	46	46	46	46	46	46	46	46	46	46	46	46
	70	43	43	43	43	43	43	43	43	43	43	43	43	43	43
	80	40	40	40	40	40	40	40	40	40	40	40	40	40	40
90	38	38	38	38	38	38	38	38	38	38	38	38	38	38	

Notes:

1. Tables are based on critical rail span for load combinations as specified in chapter 2 of the ASCE 7-16 and allowable design loads per the 2015 Aluminum Design Manual.
2. Panels are assumed to be in portrait orientation with a maximum length of 67.5"

Max Rail Spans for SunModo SMR100 System

Roof Wind Zone		Ground Snow Load (psf)	Wind Speed (mph)													
			90	95	100	105	110	115	120	130	140	150	160	170	180	
Zone 1		0	101	101	101	98	94	90	86	77	70	64	59	55	51	
		10	80	80	80	80	79	78	77	76	70	64	59	55	51	
		20	62	62	62	62	62	62	62	62	62	61	60	59	55	51
		30	62	62	62	62	62	62	62	62	62	61	60	59	55	51
		40	55	55	55	55	55	55	55	55	55	55	55	54	53	51
		50	50	50	50	50	50	50	50	50	50	50	50	50	49	49
		60	46	46	46	46	46	46	46	46	46	46	46	46	46	46
		70	43	43	43	43	43	43	43	43	43	43	43	43	43	43
		80	40	40	40	40	40	40	40	40	40	40	40	40	40	40
		90	38	38	38	38	38	38	38	38	38	38	38	38	38	38
Zone 2r		0	90	84	77	72	67	63	60	54	49	44	41	39	36	
		10	80	80	77	72	67	63	60	54	49	44	41	39	36	
		20	62	62	62	62	62	62	60	54	49	44	41	39	36	
		30	62	62	62	62	62	62	60	54	49	44	41	39	36	
		40	55	55	55	55	55	55	55	54	49	44	41	39	36	
		50	50	50	50	50	50	50	50	50	49	44	41	39	36	
		60	46	46	46	46	46	46	46	46	46	46	44	41	39	36
		70	43	43	43	43	43	43	43	43	43	43	43	41	39	36
		80	40	40	40	40	40	40	40	40	40	40	40	40	39	36
		90	38	38	38	38	38	38	38	38	38	38	38	38	38	36
Zones 2e & 3		0	101	97	92	88	82	77	73	65	59	53	49	45	42	
		10	80	80	80	80	79	77	73	65	59	53	49	45	42	
		20	62	62	62	62	62	62	62	62	59	53	49	45	42	
		30	62	62	62	62	62	62	62	62	59	53	49	45	42	
		40	55	55	55	55	55	55	55	55	55	53	49	45	42	
		50	50	50	50	50	50	50	50	50	50	50	49	45	42	
		60	46	46	46	46	46	46	46	46	46	46	46	46	45	42
		70	43	43	43	43	43	43	43	43	43	43	43	43	43	42
		80	40	40	40	40	40	40	40	40	40	40	40	40	40	40
		90	38	38	38	38	38	38	38	38	38	38	38	38	38	38

Notes:

1. Tables are based on critical rail span for load combinations as specified in chapter 2 of the ASCE 7-16 and allowable design loads per the 2015 Aluminum Design Manual.
2. Panels are assumed to be in portrait orientation with a maximum length of 67.5"

Max Rail Spans for SunModo SMR100 System

Table 18a		Mean Roof Height:	$h \leq 15$ ft										Panel Orientation:	Portrait	
		Roof Angle:	$7 < \theta \leq 20$ degrees										North/South Support	$X_E = 1$	
		Exposure Category:	D										Roof Type :	Hip $h/B = \leq 0.5$	
Roof Wind Zone	Ground Snow Load (psf)	Wind Speed (mph)													
		90	95	100	105	110	115	120	130	140	150	160	170	180	
Zone 1	0	101	101	101	101	101	99	96	89	80	73	68	63	58	
	10	80	80	79	78	77	76	75	73	71	69	67	63	58	
	20	62	62	62	62	62	62	62	61	60	58	57	56	55	
	30	62	62	62	62	62	62	62	61	60	58	57	56	55	
	40	55	55	55	55	55	55	55	55	55	54	53	52	51	
	50	50	50	50	50	50	50	50	50	50	50	50	49	48	47
	60	46	46	46	46	46	46	46	46	46	46	46	46	45	45
	70	43	43	43	43	43	43	43	43	43	43	43	43	43	42
	80	40	40	40	40	40	40	40	40	40	40	40	40	40	40
90	38	38	38	38	38	38	38	38	38	38	38	38	38	38	
Zone 2r	0	99	94	90	85	79	74	69	62	56	51	47	43	41	
	10	80	80	79	78	77	74	69	62	56	51	47	43	41	
	20	62	62	62	62	62	62	62	61	56	51	47	43	41	
	30	62	62	62	62	62	62	62	61	56	51	47	43	41	
	40	55	55	55	55	55	55	55	55	55	51	47	43	41	
	50	50	50	50	50	50	50	50	50	50	50	47	43	41	
	60	46	46	46	46	46	46	46	46	46	46	46	46	43	41
	70	43	43	43	43	43	43	43	43	43	43	43	43	43	41
	80	40	40	40	40	40	40	40	40	40	40	40	40	40	40
90	38	38	38	38	38	38	38	38	38	38	38	38	38	38	
Zones 2e & 3	0	101	101	101	97	93	89	85	75	68	62	57	52	48	
	10	80	80	79	78	77	76	75	73	68	62	57	52	48	
	20	62	62	62	62	62	62	62	61	60	58	57	52	48	
	30	62	62	62	62	62	62	62	61	60	58	57	52	48	
	40	55	55	55	55	55	55	55	55	55	54	53	52	48	
	50	50	50	50	50	50	50	50	50	50	50	49	48	47	
	60	46	46	46	46	46	46	46	46	46	46	46	46	45	45
	70	43	43	43	43	43	43	43	43	43	43	43	43	43	42
	80	40	40	40	40	40	40	40	40	40	40	40	40	40	40
90	38	38	38	38	38	38	38	38	38	38	38	38	38	38	

Notes:

1. Tables are based on critical rail span for load combinations as specified in chapter 2 of the ASCE 7-16 and allowable design loads per the 2015 Aluminum Design Manual.
2. Panels are assumed to be in portrait orientation with a maximum length of 67.5"

Max Rail Spans for SunModo SMR100 System

Roof Wind Zone		Ground Snow Load (psf)	Wind Speed (mph)													
			90	95	100	105	110	115	120	130	140	150	160	170	180	
Zone 1		0	101	98	94	90	85	80	75	68	62	57	53	49	46	
		10	80	80	79	78	77	76	75	68	62	57	53	49	46	
		20	62	62	62	62	62	62	62	61	60	57	53	49	46	
		30	62	62	62	62	62	62	62	61	60	57	53	49	46	
		40	55	55	55	55	55	55	55	55	55	54	53	49	46	
		50	50	50	50	50	50	50	50	50	50	50	49	48	46	
		60	46	46	46	46	46	46	46	46	46	46	46	45	45	
		70	43	43	43	43	43	43	43	43	43	43	43	43	43	42
		80	40	40	40	40	40	40	40	40	40	40	40	40	40	40
		90	38	38	38	38	38	38	38	38	38	38	38	38	38	38
Zone 2r		0	79	73	67	63	59	56	52	47	43	40	37	35	33	
		10	79	73	67	63	59	56	52	47	43	40	37	35	33	
		20	62	62	62	62	59	56	52	47	43	40	37	35	33	
		30	62	62	62	62	59	56	52	47	43	40	37	35	33	
		40	55	55	55	55	55	55	52	47	43	40	37	35	33	
		50	50	50	50	50	50	50	50	47	43	40	37	35	33	
		60	46	46	46	46	46	46	46	46	43	40	37	35	33	
		70	43	43	43	43	43	43	43	43	43	40	37	35	33	
		80	40	40	40	40	40	40	40	40	40	40	37	35	33	
		90	38	38	38	38	38	38	38	38	38	38	37	35	33	
Zones 2e & 3		0	93	89	82	77	72	67	63	57	52	47	43	40	38	
		10	80	80	79	77	72	67	63	57	52	47	43	40	38	
		20	62	62	62	62	62	62	62	57	52	47	43	40	38	
		30	62	62	62	62	62	62	62	57	52	47	43	40	38	
		40	55	55	55	55	55	55	55	55	52	47	43	40	38	
		50	50	50	50	50	50	50	50	50	50	47	43	40	38	
		60	46	46	46	46	46	46	46	46	46	46	43	40	38	
		70	43	43	43	43	43	43	43	43	43	43	43	40	38	
		80	40	40	40	40	40	40	40	40	40	40	40	40	38	
		90	38	38	38	38	38	38	38	38	38	38	38	38	38	

Notes:

1. Tables are based on critical rail span for load combinations as specified in chapter 2 of the ASCE 7-16 and allowable design loads per the 2015 Aluminum Design Manual.
2. Panels are assumed to be in portrait orientation with a maximum length of 67.5"

Max Rail Spans for SunModo SMR100 System

Roof Wind Zone		Ground Snow Load (psf)	Wind Speed (mph)													
			90	95	100	105	110	115	120	130	140	150	160	170	180	
Zone 1		0	101	101	101	101	101	101	101	101	101	101	99	94	89	
		10	86	86	86	86	86	86	86	86	86	86	86	84	82	81
		20	73	73	73	73	73	73	73	73	73	73	72	71	70	69
		30	62	62	62	62	62	62	62	62	62	62	62	62	62	61
		40	55	55	55	55	55	55	55	55	55	55	55	55	55	55
		50	50	50	50	50	50	50	50	50	50	50	50	50	50	50
		60	46	46	46	46	46	46	46	46	46	46	46	46	46	46
		70	43	43	43	43	43	43	43	43	43	43	43	43	43	43
		80	40	40	40	40	40	40	40	40	40	40	40	40	40	40
		90	38	38	38	38	38	38	38	38	38	38	38	38	38	38
Zones 2e, 2r, & 3		0	101	101	101	101	101	101	101	101	94	89	83	75	69	
		10	86	86	86	86	86	86	86	86	86	86	86	83	75	69
		20	73	73	73	73	73	73	73	73	73	73	72	71	70	69
		30	62	62	62	62	62	62	62	62	62	62	62	62	62	61
		40	55	55	55	55	55	55	55	55	55	55	55	55	55	55
		50	50	50	50	50	50	50	50	50	50	50	50	50	50	50
		60	46	46	46	46	46	46	46	46	46	46	46	46	46	46
		70	43	43	43	43	43	43	43	43	43	43	43	43	43	43
		80	40	40	40	40	40	40	40	40	40	40	40	40	40	40
		90	38	38	38	38	38	38	38	38	38	38	38	38	38	38

Notes:

1. Tables are based on critical rail span for load combinations as specified in chapter 2 of the ASCE 7-16 and allowable design loads per the 2015 Aluminum Design Manual.
2. Panels are assumed to be in portrait orientation with a maximum length of 67.5"

Max Rail Spans for SunModo SMR100 System

Roof Wind Zone		Ground Snow Load (psf)	Wind Speed (mph)													
			90	95	100	105	110	115	120	130	140	150	160	170	180	
Zone 1		0	101	101	101	101	101	101	101	101	100	93	87	80	73	67
		10	86	86	86	86	86	86	86	86	86	86	86	80	73	67
		20	73	73	73	73	73	73	73	73	73	73	72	71	70	67
		30	62	62	62	62	62	62	62	62	62	62	62	62	62	61
		40	55	55	55	55	55	55	55	55	55	55	55	55	55	55
		50	50	50	50	50	50	50	50	50	50	50	50	50	50	50
		60	46	46	46	46	46	46	46	46	46	46	46	46	46	46
		70	43	43	43	43	43	43	43	43	43	43	43	43	43	43
		80	40	40	40	40	40	40	40	40	40	40	40	40	40	40
		90	38	38	38	38	38	38	38	38	38	38	38	38	38	38
Zones 2e, 2r, & 3		0	101	101	101	101	98	94	90	83	74	67	61	56	52	
		10	86	86	86	86	86	86	86	86	83	74	67	61	56	52
		20	73	73	73	73	73	73	73	73	73	73	67	61	56	52
		30	62	62	62	62	62	62	62	62	62	62	62	61	56	52
		40	55	55	55	55	55	55	55	55	55	55	55	55	55	52
		50	50	50	50	50	50	50	50	50	50	50	50	50	50	50
		60	46	46	46	46	46	46	46	46	46	46	46	46	46	46
		70	43	43	43	43	43	43	43	43	43	43	43	43	43	43
		80	40	40	40	40	40	40	40	40	40	40	40	40	40	40
		90	38	38	38	38	38	38	38	38	38	38	38	38	38	38

Notes:

1. Tables are based on critical rail span for load combinations as specified in chapter 2 of the ASCE 7-16 and allowable design loads per the 2015 Aluminum Design Manual.
2. Panels are assumed to be in portrait orientation with a maximum length of 67.5"

Max Rail Spans for SunModo SMR100 System

Table 20a		Mean Roof Height:	$h \leq 15$ ft										Panel Orientation:	Portrait		
		Roof Angle:	$20 < \theta \leq 27$ degrees										North/South Support	$X_E = 1$		
		Exposure Category:	C										Roof Type :	Hip		
Roof Wind Zone	Ground Snow Load (psf)	Wind Speed (mph)														
		90	95	100	105	110	115	120	130	140	150	160	170	180		
Zone 1	0	101	101	101	101	101	101	101	100	93	88	81	73	67		
	10	86	86	86	86	86	86	86	84	82	80	78	73	67		
	20	73	73	73	73	73	73	73	72	71	70	68	67	65	64	
	30	62	62	62	62	62	62	62	62	62	62	61	60	59	57	
	40	55	55	55	55	55	55	55	55	55	55	55	54	54	53	
	50	50	50	50	50	50	50	50	50	50	50	50	50	50	49	
	60	46	46	46	46	46	46	46	46	46	46	46	46	46	46	
	70	43	43	43	43	43	43	43	43	43	43	43	43	43	43	
	80	40	40	40	40	40	40	40	40	40	40	40	40	40	40	
90	38	38	38	38	38	38	38	38	38	38	38	38	38	38		
Zones 2e, 2r, & 3	0	101	101	101	101	98	94	91	84	75	67	61	56	52		
	10	86	86	86	86	86	86	86	84	75	67	61	56	52		
	20	73	73	73	73	73	73	73	72	71	70	67	61	56	52	
	30	62	62	62	62	62	62	62	62	62	62	61	60	56	52	
	40	55	55	55	55	55	55	55	55	55	55	55	54	54	52	
	50	50	50	50	50	50	50	50	50	50	50	50	50	50	49	
	60	46	46	46	46	46	46	46	46	46	46	46	46	46	46	
	70	43	43	43	43	43	43	43	43	43	43	43	43	43	43	
	80	40	40	40	40	40	40	40	40	40	40	40	40	40	40	
90	38	38	38	38	38	38	38	38	38	38	38	38	38	38		

Notes:

1. Tables are based on critical rail span for load combinations as specified in chapter 2 of the ASCE 7-16 and allowable design loads per the 2015 Aluminum Design Manual.
2. Panels are assumed to be in portrait orientation with a maximum length of 67.5"

Max Rail Spans for SunModo SMR100 System

Table 20b		Mean Roof Height:	$h \leq 15$ ft										Panel Orientation:	Portrait	
		Roof Angle:	$20 < \theta \leq 27$ degrees										North/South Support	$X_E = 1.5$	
		Exposure Category:	C										Roof Type :	Hip	
Roof Wind Zone	Ground Snow Load (psf)	Wind Speed (mph)													
		90	95	100	105	110	115	120	130	140	150	160	170	180	
Zone 1	0	101	101	101	101	97	93	89	81	72	65	59	54	50	
	10	86	86	86	86	86	86	86	81	72	65	59	54	50	
	20	73	73	73	73	73	73	72	71	70	65	59	54	50	
	30	62	62	62	62	62	62	62	62	62	61	59	54	50	
	40	55	55	55	55	55	55	55	55	55	55	54	54	50	
	50	50	50	50	50	50	50	50	50	50	50	50	50	50	49
	60	46	46	46	46	46	46	46	46	46	46	46	46	46	46
	70	43	43	43	43	43	43	43	43	43	43	43	43	43	43
	80	40	40	40	40	40	40	40	40	40	40	40	40	40	40
	90	38	38	38	38	38	38	38	38	38	38	38	38	38	38
Zones 2e, 2r, & 3	0	98	93	89	85	79	74	69	62	56	50	46	43	40	
	10	86	86	86	85	79	74	69	62	56	50	46	43	40	
	20	73	73	73	73	73	73	69	62	56	50	46	43	40	
	30	62	62	62	62	62	62	62	62	56	50	46	43	40	
	40	55	55	55	55	55	55	55	55	55	50	46	43	40	
	50	50	50	50	50	50	50	50	50	50	50	46	43	40	
	60	46	46	46	46	46	46	46	46	46	46	46	46	43	40
	70	43	43	43	43	43	43	43	43	43	43	43	43	43	40
	80	40	40	40	40	40	40	40	40	40	40	40	40	40	40
	90	38	38	38	38	38	38	38	38	38	38	38	38	38	38

Notes:

1. Tables are based on critical rail span for load combinations as specified in chapter 2 of the ASCE 7-16 and allowable design loads per the 2015 Aluminum Design Manual.
2. Panels are assumed to be in portrait orientation with a maximum length of 67.5"

Max Rail Spans for SunModo SMR100 System

Table 21a		Mean Roof Height:	$h \leq 15$ ft										Panel Orientation:	Portrait	
		Roof Angle:	$20 < \theta \leq 27$ degrees										North/South Support	$X_E = 1$	
		Exposure Category:	D										Roof Type :	Hip	
Roof Wind Zone	Ground Snow Load (psf)	Wind Speed (mph)													
		90	95	100	105	110	115	120	130	140	150	160	170	180	
Zone 1	0	101	101	101	101	101	101	99	91	85	77	70	64	58	
	10	86	86	86	86	86	85	84	82	79	77	70	64	58	
	20	73	73	73	73	72	72	71	69	68	66	65	63	58	
	30	62	62	62	62	62	62	62	61	60	59	58	57	55	
	40	55	55	55	55	55	55	55	55	55	54	53	52	51	
	50	50	50	50	50	50	50	50	50	50	50	50	49	48	48
	60	46	46	46	46	46	46	46	46	46	46	46	46	45	45
	70	43	43	43	43	43	43	43	43	43	43	43	43	43	42
	80	40	40	40	40	40	40	40	40	40	40	40	40	40	40
	90	38	38	38	38	38	38	38	38	38	38	38	38	38	38
Zones 2e, 2r, & 3	0	101	101	98	94	90	86	82	72	65	59	53	49	46	
	10	86	86	86	86	86	85	82	72	65	59	53	49	46	
	20	73	73	73	73	72	72	71	69	65	59	53	49	46	
	30	62	62	62	62	62	62	62	61	60	59	53	49	46	
	40	55	55	55	55	55	55	55	55	55	54	53	49	46	
	50	50	50	50	50	50	50	50	50	50	50	50	49	48	46
	60	46	46	46	46	46	46	46	46	46	46	46	46	45	45
	70	43	43	43	43	43	43	43	43	43	43	43	43	43	42
	80	40	40	40	40	40	40	40	40	40	40	40	40	40	40
	90	38	38	38	38	38	38	38	38	38	38	38	38	38	38

Notes:

1. Tables are based on critical rail span for load combinations as specified in chapter 2 of the ASCE 7-16 and allowable design loads per the 2015 Aluminum Design Manual.
2. Panels are assumed to be in portrait orientation with a maximum length of 67.5"

Max Rail Spans for SunModo SMR100 System

Roof Wind Zone		Ground Snow Load (psf)	Wind Speed (mph)													
			90	95	100	105	110	115	120	130	140	150	160	170	180	
Zone 1		0	101	101	97	92	88	85	79	70	63	57	52	48	44	
		10	86	86	86	86	86	85	79	70	63	57	52	48	44	
		20	73	73	73	73	72	72	71	69	63	57	52	48	44	
		30	62	62	62	62	62	62	62	61	60	57	52	48	44	
		40	55	55	55	55	55	55	55	55	55	54	52	48	44	
		50	50	50	50	50	50	50	50	50	50	50	49	48	44	
		60	46	46	46	46	46	46	46	46	46	46	46	46	45	44
		70	43	43	43	43	43	43	43	43	43	43	43	43	43	42
		80	40	40	40	40	40	40	40	40	40	40	40	40	40	40
		90	38	38	38	38	38	38	38	38	38	38	38	38	38	38
Zones 2e, 2r, & 3		0	90	85	79	73	68	64	60	54	49	44	41	38	36	
		10	86	85	79	73	68	64	60	54	49	44	41	38	36	
		20	73	73	73	73	68	64	60	54	49	44	41	38	36	
		30	62	62	62	62	62	62	60	54	49	44	41	38	36	
		40	55	55	55	55	55	55	55	54	49	44	41	38	36	
		50	50	50	50	50	50	50	50	50	49	44	41	38	36	
		60	46	46	46	46	46	46	46	46	46	46	44	41	38	36
		70	43	43	43	43	43	43	43	43	43	43	43	41	38	36
		80	40	40	40	40	40	40	40	40	40	40	40	40	38	36
		90	38	38	38	38	38	38	38	38	38	38	38	38	38	36

Notes:

1. Tables are based on critical rail span for load combinations as specified in chapter 2 of the ASCE 7-16 and allowable design loads per the 2015 Aluminum Design Manual.
2. Panels are assumed to be in portrait orientation with a maximum length of 67.5"

Max Rail Spans for SunModo SMR100 System

Table 22a		Mean Roof Height: $h \leq 15$ ft							Panel Orientation: Portrait						
		Roof Angle: $27 < \theta \leq 45$ degrees							North/South Support $X_E = 1$						
		Exposure Category: B							Roof Type: Hip						
Roof Wind Zone	Ground Snow Load (psf)	Wind Speed (mph)													
		90	95	100	105	110	115	120	130	140	150	160	170	180	
Zone 1	0	101	101	101	101	101	101	101	101	101	100	94	89	85	
	10	86	86	86	86	86	86	86	86	86	86	85	83	82	
	20	75	75	75	75	75	75	75	75	75	74	73	71	70	
	30	64	64	64	64	64	64	64	64	64	64	64	64	63	
	40	57	57	57	57	57	57	57	57	57	57	57	57	57	
	50	52	52	52	52	52	52	52	52	52	52	52	52	52	
	60	48	48	48	48	48	48	48	48	48	48	48	48	48	
	70	45	45	45	45	45	45	45	45	45	45	45	45	45	
	80	42	42	42	42	42	42	42	42	42	42	42	42	42	
	90	40	40	40	40	40	40	40	40	40	40	40	40	40	
Zone 2e	0	101	101	101	101	101	101	101	101	101	99	92	87	82	
	10	86	86	86	86	86	86	86	86	86	86	85	83	82	
	20	75	75	75	75	75	75	75	75	75	74	73	71	70	
	30	64	64	64	64	64	64	64	64	64	64	64	64	63	
	40	57	57	57	57	57	57	57	57	57	57	57	57	57	
	50	52	52	52	52	52	52	52	52	52	52	52	52	52	
	60	48	48	48	48	48	48	48	48	48	48	48	48	48	
	70	45	45	45	45	45	45	45	45	45	45	45	45	45	
	80	42	42	42	42	42	42	42	42	42	42	42	42	42	
	90	40	40	40	40	40	40	40	40	40	40	40	40	40	
Zone 2r	0	101	101	101	101	101	101	101	97	90	85	79	71	65	
	10	86	86	86	86	86	86	86	86	86	85	79	71	65	
	20	75	75	75	75	75	75	75	75	75	74	73	71	65	
	30	64	64	64	64	64	64	64	64	64	64	64	64	63	
	40	57	57	57	57	57	57	57	57	57	57	57	57	57	
	50	52	52	52	52	52	52	52	52	52	52	52	52	52	
	60	48	48	48	48	48	48	48	48	48	48	48	48	48	
	70	45	45	45	45	45	45	45	45	45	45	45	45	45	
	80	42	42	42	42	42	42	42	42	42	42	42	42	42	
	90	40	40	40	40	40	40	40	40	40	40	40	40	40	
Zone 3	0	101	101	101	101	101	101	101	100	93	86	81	71	64	
	10	86	86	86	86	86	86	86	86	86	86	81	71	64	
	20	75	75	75	75	75	75	75	75	75	74	73	71	64	
	30	64	64	64	64	64	64	64	64	64	64	64	64	63	
	40	57	57	57	57	57	57	57	57	57	57	57	57	57	
	50	52	52	52	52	52	52	52	52	52	52	52	52	52	
	60	48	48	48	48	48	48	48	48	48	48	48	48	48	
	70	45	45	45	45	45	45	45	45	45	45	45	45	45	
	80	42	42	42	42	42	42	42	42	42	42	42	42	42	
	90	40	40	40	40	40	40	40	40	40	40	40	40	40	

Notes:

1. Tables are based on critical rail span for load combinations as specified in chapter 2 of the ASCE 7-16 and allowable design loads per the 2015 Aluminum Design Manual.
2. Panels are assumed to be in portrait orientation with a maximum length of 67.5"

Max Rail Spans for SunModo SMR100 System

Roof Wind Zone		Ground Snow Load (psf)	Mean Roof Height: $h \leq 15$ ft							Panel Orientation: Portrait						
			Roof Angle: $27 < \theta \leq 45$ degrees							North/South Support $X_E = 1.5$						
			Exposure Category: B													
			Wind Speed (mph)													
			90	95	100	105	110	115	120	130	140	150	160	170	180	
Zone 1	0	101	101	101	101	101	101	101	101	95	89	83	77	70	64	
	10	86	86	86	86	86	86	86	86	86	86	83	77	70	64	
	20	75	75	75	75	75	75	75	75	75	75	74	73	70	64	
	30	64	64	64	64	64	64	64	64	64	64	64	64	64	63	
	40	57	57	57	57	57	57	57	57	57	57	57	57	57	57	
	50	52	52	52	52	52	52	52	52	52	52	52	52	52	52	
	60	48	48	48	48	48	48	48	48	48	48	48	48	48	48	
	70	45	45	45	45	45	45	45	45	45	45	45	45	45	45	
	80	42	42	42	42	42	42	42	42	42	42	42	42	42	42	
90	40	40	40	40	40	40	40	40	40	40	40	40	40	40		
Zone 2e	0	101	101	101	101	101	101	101	101	93	86	80	71	64	58	
	10	86	86	86	86	86	86	86	86	86	86	80	71	64	58	
	20	75	75	75	75	75	75	75	75	75	75	74	71	64	58	
	30	64	64	64	64	64	64	64	64	64	64	64	64	64	58	
	40	57	57	57	57	57	57	57	57	57	57	57	57	57	57	
	50	52	52	52	52	52	52	52	52	52	52	52	52	52	52	
	60	48	48	48	48	48	48	48	48	48	48	48	48	48	48	
	70	45	45	45	45	45	45	45	45	45	45	45	45	45	45	
	80	42	42	42	42	42	42	42	42	42	42	42	42	42	42	
90	40	40	40	40	40	40	40	40	40	40	40	40	40	40		
Zone 2r	0	101	101	101	98	94	90	86	80	70	63	57	52	48		
	10	86	86	86	86	86	86	86	80	70	63	57	52	48		
	20	75	75	75	75	75	75	75	75	70	63	57	52	48		
	30	64	64	64	64	64	64	64	64	64	63	57	52	48		
	40	57	57	57	57	57	57	57	57	57	57	57	52	48		
	50	52	52	52	52	52	52	52	52	52	52	52	52	48		
	60	48	48	48	48	48	48	48	48	48	48	48	48	48		
	70	45	45	45	45	45	45	45	45	45	45	45	45	45		
	80	42	42	42	42	42	42	42	42	42	42	42	42	42		
90	40	40	40	40	40	40	40	40	40	40	40	40	40			
Zone 3	0	101	101	101	101	97	92	88	81	70	62	55	50	45		
	10	86	86	86	86	86	86	86	81	70	62	55	50	45		
	20	75	75	75	75	75	75	75	75	70	62	55	50	45		
	30	64	64	64	64	64	64	64	64	64	62	55	50	45		
	40	57	57	57	57	57	57	57	57	57	57	55	50	45		
	50	52	52	52	52	52	52	52	52	52	52	52	50	45		
	60	48	48	48	48	48	48	48	48	48	48	48	48	45		
	70	45	45	45	45	45	45	45	45	45	45	45	45	45		
	80	42	42	42	42	42	42	42	42	42	42	42	42	42		
90	40	40	40	40	40	40	40	40	40	40	40	40	40			

Notes:

1. Tables are based on critical rail span for load combinations as specified in chapter 2 of the ASCE 7-16 and allowable design loads per the 2015 Aluminum Design Manual.
2. Panels are assumed to be in portrait orientation with a maximum length of 67.5"

Max Rail Spans for SunModo SMR100 System

Table 23a		Mean Roof Height: $h \leq 15$ ft							Panel Orientation: Portrait						
		Roof Angle: $27 < \theta \leq 45$ degrees							North/South Support $X_E = 1$						
		Exposure Category: C							Roof Type: Hip						
Roof Wind Zone	Ground Snow Load (psf)	Wind Speed (mph)													
		90	95	100	105	110	115	120	130	140	150	160	170	180	
Zone 1	0	101	101	101	101	101	101	101	95	89	84	77	70	64	
	10	86	86	86	86	86	86	86	85	83	81	77	70	64	
	20	75	75	75	75	75	75	74	73	71	70	69	67	64	
	30	64	64	64	64	64	64	64	64	64	63	61	60	59	
	40	57	57	57	57	57	57	57	57	57	57	56	55	54	
	50	52	52	52	52	52	52	52	52	52	52	52	52	51	51
	60	48	48	48	48	48	48	48	48	48	48	48	48	48	48
	70	45	45	45	45	45	45	45	45	45	45	45	45	45	45
	80	42	42	42	42	42	42	42	42	42	42	42	42	42	42
90	40	40	40	40	40	40	40	40	40	40	40	40	40	40	
Zone 2e	0	101	101	101	101	101	101	101	93	86	81	71	64	58	
	10	86	86	86	86	86	86	86	85	83	81	71	64	58	
	20	75	75	75	75	75	75	74	73	71	70	69	64	58	
	30	64	64	64	64	64	64	64	64	64	63	61	60	58	
	40	57	57	57	57	57	57	57	57	57	57	56	55	54	
	50	52	52	52	52	52	52	52	52	52	52	52	52	51	51
	60	48	48	48	48	48	48	48	48	48	48	48	48	48	48
	70	45	45	45	45	45	45	45	45	45	45	45	45	45	45
	80	42	42	42	42	42	42	42	42	42	42	42	42	42	42
90	40	40	40	40	40	40	40	40	40	40	40	40	40	40	
Zone 2r	0	101	101	101	98	94	90	87	80	71	63	57	52	48	
	10	86	86	86	86	86	86	86	80	71	63	57	52	48	
	20	75	75	75	75	75	75	74	73	71	63	57	52	48	
	30	64	64	64	64	64	64	64	64	64	63	57	52	48	
	40	57	57	57	57	57	57	57	57	57	57	56	52	48	
	50	52	52	52	52	52	52	52	52	52	52	52	51	48	
	60	48	48	48	48	48	48	48	48	48	48	48	48	48	
	70	45	45	45	45	45	45	45	45	45	45	45	45	45	
	80	42	42	42	42	42	42	42	42	42	42	42	42	42	42
90	40	40	40	40	40	40	40	40	40	40	40	40	40	40	
Zone 3	0	101	101	101	101	97	92	89	82	71	62	55	50	46	
	10	86	86	86	86	86	86	86	82	71	62	55	50	46	
	20	75	75	75	75	75	75	74	73	71	62	55	50	46	
	30	64	64	64	64	64	64	64	64	64	62	55	50	46	
	40	57	57	57	57	57	57	57	57	57	57	55	50	46	
	50	52	52	52	52	52	52	52	52	52	52	52	50	46	
	60	48	48	48	48	48	48	48	48	48	48	48	48	46	
	70	45	45	45	45	45	45	45	45	45	45	45	45	45	
	80	42	42	42	42	42	42	42	42	42	42	42	42	42	42
90	40	40	40	40	40	40	40	40	40	40	40	40	40	40	

Notes:

1. Tables are based on critical rail span for load combinations as specified in chapter 2 of the ASCE 7-16 and allowable design loads per the 2015 Aluminum Design Manual.
2. Panels are assumed to be in portrait orientation with a maximum length of 67.5"

Max Rail Spans for SunModo SMR100 System

Roof Wind Zone		Ground Snow Load (psf)	Wind Speed (mph)													
			90	95	100	105	110	115	120	130	140	150	160	170	180	
Zone 1		0	101	101	100	96	92	88	85	78	69	62	57	52	48	
		10	86	86	86	86	86	86	86	85	78	69	62	57	52	48
		20	75	75	75	75	75	75	75	74	73	69	62	57	52	48
		30	64	64	64	64	64	64	64	64	64	64	62	57	52	48
		40	57	57	57	57	57	57	57	57	57	57	57	56	52	48
		50	52	52	52	52	52	52	52	52	52	52	52	52	51	48
		60	48	48	48	48	48	48	48	48	48	48	48	48	48	48
		70	45	45	45	45	45	45	45	45	45	45	45	45	45	45
		80	42	42	42	42	42	42	42	42	42	42	42	42	42	42
		90	40	40	40	40	40	40	40	40	40	40	40	40	40	40
Zone 2e		0	101	101	99	94	90	86	83	72	63	56	50	46	42	
		10	86	86	86	86	86	86	86	83	72	63	56	50	46	42
		20	75	75	75	75	75	75	75	74	72	63	56	50	46	42
		30	64	64	64	64	64	64	64	64	64	63	56	50	46	42
		40	57	57	57	57	57	57	57	57	57	57	56	50	46	42
		50	52	52	52	52	52	52	52	52	52	52	52	50	46	42
		60	48	48	48	48	48	48	48	48	48	48	48	48	46	42
		70	45	45	45	45	45	45	45	45	45	45	45	45	45	42
		80	42	42	42	42	42	42	42	42	42	42	42	42	42	42
		90	40	40	40	40	40	40	40	40	40	40	40	40	40	40
Zone 2r		0	94	89	85	81	75	70	65	57	51	46	42	39	37	
		10	86	86	85	81	75	70	65	57	51	46	42	39	37	
		20	75	75	75	75	75	70	65	57	51	46	42	39	37	
		30	64	64	64	64	64	64	64	57	51	46	42	39	37	
		40	57	57	57	57	57	57	57	57	51	46	42	39	37	
		50	52	52	52	52	52	52	52	52	51	46	42	39	37	
		60	48	48	48	48	48	48	48	48	48	46	42	39	37	
		70	45	45	45	45	45	45	45	45	45	45	42	39	37	
		80	42	42	42	42	42	42	42	42	42	42	42	39	37	
		90	40	40	40	40	40	40	40	40	40	40	40	39	37	
Zone 3		0	97	91	87	83	76	70	64	56	49	44	40	37	35	
		10	86	86	86	83	76	70	64	56	49	44	40	37	35	
		20	75	75	75	75	75	70	64	56	49	44	40	37	35	
		30	64	64	64	64	64	64	64	56	49	44	40	37	35	
		40	57	57	57	57	57	57	57	56	49	44	40	37	35	
		50	52	52	52	52	52	52	52	52	49	44	40	37	35	
		60	48	48	48	48	48	48	48	48	48	44	40	37	35	
		70	45	45	45	45	45	45	45	45	45	44	40	37	35	
		80	42	42	42	42	42	42	42	42	42	42	40	37	35	
		90	40	40	40	40	40	40	40	40	40	40	40	37	35	

Notes:

1. Tables are based on critical rail span for load combinations as specified in chapter 2 of the ASCE 7-16 and allowable design loads per the 2015 Aluminum Design Manual.
2. Panels are assumed to be in portrait orientation with a maximum length of 67.5"

Max Rail Spans for SunModo SMR100 System

Table 24a		Mean Roof Height: $h \leq 15$ ft					Roof Angle: $27 < \theta \leq 45$ degrees					Panel Orientation: Portrait				
		Exposure Category: D					North/South Support $X_E = 1$					Roof Type: Hip				
Roof Wind Zone	Ground Snow Load (psf)	Wind Speed (mph)														
		90	95	100	105	110	115	120	130	140	150	160	170	180		
Zone 1	0	101	101	101	101	101	97	93	87	82	73	66	61	56		
	10	86	86	86	86	86	86	85	82	80	73	66	61	56		
	20	75	75	75	75	74	73	72	71	69	68	66	61	56		
	30	64	64	64	64	64	64	64	63	62	61	60	58	56		
	40	57	57	57	57	57	57	57	57	57	56	55	54	53		
	50	52	52	52	52	52	52	52	52	52	52	52	51	50	49	
	60	48	48	48	48	48	48	48	48	48	48	48	48	47	46	
	70	45	45	45	45	45	45	45	45	45	45	45	45	45	44	
	80	42	42	42	42	42	42	42	42	42	42	42	42	42	42	
	90	40	40	40	40	40	40	40	40	40	40	40	40	40	40	
Zone 2e	0	101	101	101	101	100	96	92	85	76	67	60	54	50		
	10	86	86	86	86	86	86	85	82	76	67	60	54	50		
	20	75	75	75	75	74	73	72	71	69	67	60	54	50		
	30	64	64	64	64	64	64	64	63	62	61	60	54	50		
	40	57	57	57	57	57	57	57	57	57	56	55	54	50		
	50	52	52	52	52	52	52	52	52	52	52	52	51	50	49	
	60	48	48	48	48	48	48	48	48	48	48	48	48	47	46	
	70	45	45	45	45	45	45	45	45	45	45	45	45	45	44	
	80	42	42	42	42	42	42	42	42	42	42	42	42	42	42	
	90	40	40	40	40	40	40	40	40	40	40	40	40	40	40	
Zone 2r	0	101	99	94	90	86	83	78	68	60	54	49	45	42		
	10	86	86	86	86	86	83	78	68	60	54	49	45	42		
	20	75	75	75	75	74	73	72	68	60	54	49	45	42		
	30	64	64	64	64	64	64	64	63	60	54	49	45	42		
	40	57	57	57	57	57	57	57	57	57	54	49	45	42		
	50	52	52	52	52	52	52	52	52	52	52	49	45	42		
	60	48	48	48	48	48	48	48	48	48	48	48	45	42		
	70	45	45	45	45	45	45	45	45	45	45	45	45	45	42	
	80	42	42	42	42	42	42	42	42	42	42	42	42	42	42	
	90	40	40	40	40	40	40	40	40	40	40	40	40	40	40	
Zone 3	0	101	101	97	92	88	84	80	68	59	53	47	43	40		
	10	86	86	86	86	86	84	80	68	59	53	47	43	40		
	20	75	75	75	75	74	73	72	68	59	53	47	43	40		
	30	64	64	64	64	64	64	64	63	59	53	47	43	40		
	40	57	57	57	57	57	57	57	57	57	53	47	43	40		
	50	52	52	52	52	52	52	52	52	52	52	47	43	40		
	60	48	48	48	48	48	48	48	48	48	48	47	43	40		
	70	45	45	45	45	45	45	45	45	45	45	45	45	43	40	
	80	42	42	42	42	42	42	42	42	42	42	42	42	42	40	
	90	40	40	40	40	40	40	40	40	40	40	40	40	40	40	

Notes:

1. Tables are based on critical rail span for load combinations as specified in chapter 2 of the ASCE 7-16 and allowable design loads per the 2015 Aluminum Design Manual.
2. Panels are assumed to be in portrait orientation with a maximum length of 67.5"

Max Rail Spans for SunModo SMR100 System

Roof Wind Zone		Ground Snow Load (psf)	Wind Speed (mph)													
			90	95	100	105	110	115	120	130	140	150	160	170	180	
Zone 1		0	101	96	92	88	84	81	76	67	60	54	49	45	42	
		10	86	86	86	86	84	81	76	67	60	54	49	45	42	
		20	75	75	75	75	74	73	72	67	60	54	49	45	42	
		30	64	64	64	64	64	64	64	64	63	60	54	49	45	42
		40	57	57	57	57	57	57	57	57	57	57	54	49	45	42
		50	52	52	52	52	52	52	52	52	52	52	52	49	45	42
		60	48	48	48	48	48	48	48	48	48	48	48	48	45	42
		70	45	45	45	45	45	45	45	45	45	45	45	45	45	42
		80	42	42	42	42	42	42	42	42	42	42	42	42	42	42
		90	40	40	40	40	40	40	40	40	40	40	40	40	40	40
Zone 2e		0	100	94	90	86	82	76	70	61	54	48	43	40	37	
		10	86	86	86	86	82	76	70	61	54	48	43	40	37	
		20	75	75	75	75	74	73	70	61	54	48	43	40	37	
		30	64	64	64	64	64	64	64	61	54	48	43	40	37	
		40	57	57	57	57	57	57	57	57	54	48	43	40	37	
		50	52	52	52	52	52	52	52	52	52	48	43	40	37	
		60	48	48	48	48	48	48	48	48	48	48	43	40	37	
		70	45	45	45	45	45	45	45	45	45	45	43	40	37	
		80	42	42	42	42	42	42	42	42	42	42	42	40	37	
		90	40	40	40	40	40	40	40	40	40	40	40	40	37	
Zone 2r		0	86	82	75	69	64	60	56	50	45	41	38	35	33	
		10	86	82	75	69	64	60	56	50	45	41	38	35	33	
		20	75	75	75	69	64	60	56	50	45	41	38	35	33	
		30	64	64	64	64	64	60	56	50	45	41	38	35	33	
		40	57	57	57	57	57	57	56	50	45	41	38	35	33	
		50	52	52	52	52	52	52	52	50	45	41	38	35	33	
		60	48	48	48	48	48	48	48	48	45	41	38	35	33	
		70	45	45	45	45	45	45	45	45	45	41	38	35	33	
		80	42	42	42	42	42	42	42	42	42	41	38	35	33	
		90	40	40	40	40	40	40	40	40	40	40	38	35	33	
Zone 3		0	88	83	76	69	63	59	54	48	42	39	36	33	31	
		10	86	83	76	69	63	59	54	48	42	39	36	33	31	
		20	75	75	75	69	63	59	54	48	42	39	36	33	31	
		30	64	64	64	64	63	59	54	48	42	39	36	33	31	
		40	57	57	57	57	57	57	54	48	42	39	36	33	31	
		50	52	52	52	52	52	52	52	48	42	39	36	33	31	
		60	48	48	48	48	48	48	48	48	42	39	36	33	31	
		70	45	45	45	45	45	45	45	45	42	39	36	33	31	
		80	42	42	42	42	42	42	42	42	42	39	36	33	31	
		90	40	40	40	40	40	40	40	40	40	39	36	33	31	

Notes:

1. Tables are based on critical rail span for load combinations as specified in chapter 2 of the ASCE 7-16 and allowable design loads per the 2015 Aluminum Design Manual.
2. Panels are assumed to be in portrait orientation with a maximum length of 67.5"

Max Rail Spans for SunModo SMR100 System

Table 25a		Mean Roof Height: $15 < h \leq 30$ ft							Panel Orientation: Portrait					
		Roof Angle: $0 < \theta \leq 7$ degrees							North/South Support $X_E = 1$					
		Exposure Category: B							Roof Type: Gable					
Roof Wind Zone	Ground Snow Load (psf)	Wind Speed (mph)												
		90	95	100	105	110	115	120	130	140	150	160	170	180
Zone 1'	0	101	101	101	101	101	101	101	101	101	101	101	98	93
	10	87	87	87	87	87	87	87	87	87	87	87	87	87
	20	69	69	69	69	69	69	69	69	69	69	69	69	69
	30	68	68	68	68	68	68	68	68	68	68	68	68	68
	40	60	60	60	60	60	60	60	60	60	60	60	60	60
	50	54	54	54	54	54	54	54	54	54	54	54	54	54
	60	50	50	50	50	50	50	50	50	50	50	50	50	50
	70	46	46	46	46	46	46	46	46	46	46	46	46	46
	80	44	44	44	44	44	44	44	44	44	44	44	44	44
90	41	41	41	41	41	41	41	41	41	41	41	41	41	
Zone 1	0	101	101	101	101	101	101	101	97	91	82	75	69	64
	10	87	87	87	87	87	87	87	87	87	82	75	69	64
	20	69	69	69	69	69	69	69	69	69	69	69	69	64
	30	68	68	68	68	68	68	68	68	68	68	68	68	64
	40	60	60	60	60	60	60	60	60	60	60	60	60	60
	50	54	54	54	54	54	54	54	54	54	54	54	54	54
	60	50	50	50	50	50	50	50	50	50	50	50	50	50
	70	46	46	46	46	46	46	46	46	46	46	46	46	46
	80	44	44	44	44	44	44	44	44	44	44	44	44	44
90	41	41	41	41	41	41	41	41	41	41	41	41	41	
Zone 2	0	101	101	101	101	99	95	91	81	73	67	61	57	53
	10	87	87	87	87	87	87	87	81	73	67	61	57	53
	20	69	69	69	69	69	69	69	69	69	67	61	57	53
	30	68	68	68	68	68	68	68	68	68	67	61	57	53
	40	60	60	60	60	60	60	60	60	60	60	60	57	53
	50	54	54	54	54	54	54	54	54	54	54	54	54	53
	60	50	50	50	50	50	50	50	50	50	50	50	50	50
	70	46	46	46	46	46	46	46	46	46	46	46	46	46
	80	44	44	44	44	44	44	44	44	44	44	44	44	44
90	41	41	41	41	41	41	41	41	41	41	41	41	41	
Zone 3	0	101	99	94	89	83	78	73	66	59	54	50	46	43
	10	87	87	87	87	83	78	73	66	59	54	50	46	43
	20	69	69	69	69	69	69	69	66	59	54	50	46	43
	30	68	68	68	68	68	68	68	66	59	54	50	46	43
	40	60	60	60	60	60	60	60	60	59	54	50	46	43
	50	54	54	54	54	54	54	54	54	54	54	50	46	43
	60	50	50	50	50	50	50	50	50	50	50	50	46	43
	70	46	46	46	46	46	46	46	46	46	46	46	46	43
	80	44	44	44	44	44	44	44	44	44	44	44	44	43
90	41	41	41	41	41	41	41	41	41	41	41	41	41	

Notes:

1. Tables are based on critical rail span for load combinations as specified in chapter 2 of the ASCE 7-16 and allowable design loads per the 2015 Aluminum Design Manual.
2. Panels are assumed to be in portrait orientation with a maximum length of 67.5"

Max Rail Spans for SunModo SMR100 System

Roof Wind Zone		Ground Snow Load (psf)	Wind Speed (mph)													
			90	95	100	105	110	115	120	130	140	150	160	170	180	
Zone 1'		0	101	101	101	101	101	101	101	101	101	97	91	84	78	72
		10	87	87	87	87	87	87	87	87	87	87	87	84	78	72
		20	69	69	69	69	69	69	69	69	69	69	69	69	69	69
		30	68	68	68	68	68	68	68	68	68	68	68	68	68	68
		40	60	60	60	60	60	60	60	60	60	60	60	60	60	60
		50	54	54	54	54	54	54	54	54	54	54	54	54	54	54
		60	50	50	50	50	50	50	50	50	50	50	50	50	50	50
		70	46	46	46	46	46	46	46	46	46	46	46	46	46	46
		80	44	44	44	44	44	44	44	44	44	44	44	44	44	44
		90	41	41	41	41	41	41	41	41	41	41	41	41	41	41
Zone 1		0	101	101	101	98	94	90	85	76	68	62	57	53	49	
		10	87	87	87	87	87	87	87	85	76	68	62	57	53	49
		20	69	69	69	69	69	69	69	69	69	68	62	57	53	49
		30	68	68	68	68	68	68	68	68	68	68	62	57	53	49
		40	60	60	60	60	60	60	60	60	60	60	60	57	53	49
		50	54	54	54	54	54	54	54	54	54	54	54	54	53	49
		60	50	50	50	50	50	50	50	50	50	50	50	50	50	49
		70	46	46	46	46	46	46	46	46	46	46	46	46	46	46
		80	44	44	44	44	44	44	44	44	44	44	44	44	44	44
		90	41	41	41	41	41	41	41	41	41	41	41	41	41	41
Zone 2		0	98	94	88	82	77	73	69	62	56	51	47	44	41	
		10	87	87	87	82	77	73	69	62	56	51	47	44	41	
		20	69	69	69	69	69	69	69	69	62	56	51	47	44	41
		30	68	68	68	68	68	68	68	68	62	56	51	47	44	41
		40	60	60	60	60	60	60	60	60	60	56	51	47	44	41
		50	54	54	54	54	54	54	54	54	54	54	51	47	44	41
		60	50	50	50	50	50	50	50	50	50	50	50	47	44	41
		70	46	46	46	46	46	46	46	46	46	46	46	46	44	41
		80	44	44	44	44	44	44	44	44	44	44	44	44	44	41
		90	41	41	41	41	41	41	41	41	41	41	41	41	41	41
Zone 3		0	83	77	71	67	63	59	56	50	45	42	39	37	34	
		10	83	77	71	67	63	59	56	50	45	42	39	37	34	
		20	69	69	69	67	63	59	56	50	45	42	39	37	34	
		30	68	68	68	67	63	59	56	50	45	42	39	37	34	
		40	60	60	60	60	60	59	56	50	45	42	39	37	34	
		50	54	54	54	54	54	54	54	50	45	42	39	37	34	
		60	50	50	50	50	50	50	50	50	45	42	39	37	34	
		70	46	46	46	46	46	46	46	46	45	42	39	37	34	
		80	44	44	44	44	44	44	44	44	44	44	42	39	37	34
		90	41	41	41	41	41	41	41	41	41	41	41	39	37	34

Notes:

1. Tables are based on critical rail span for load combinations as specified in chapter 2 of the ASCE 7-16 and allowable design loads per the 2015 Aluminum Design Manual.
2. Panels are assumed to be in portrait orientation with a maximum length of 67.5"

Max Rail Spans for SunModo SMR100 System

Table 26a		Mean Roof Height: $15 < h \leq 30$ ft							Panel Orientation: Portrait					
		Roof Angle: $0 < \theta \leq 7$ degrees							North/South Support $X_E = 1$					
		Exposure Category: C							Roof Type: Gable					
Roof Wind Zone	Ground Snow Load (psf)	Wind Speed (mph)												
		90	95	100	105	110	115	120	130	140	150	160	170	180
Zone 1'	0	101	101	101	101	101	101	101	101	100	94	88	81	75
	10	87	87	87	87	87	87	87	87	87	87	87	81	75
	20	69	69	69	69	69	69	69	69	69	69	69	69	69
	30	68	68	68	68	68	68	68	68	68	68	68	68	68
	40	60	60	60	60	60	60	60	60	60	60	60	60	60
	50	54	54	54	54	54	54	54	54	54	54	54	54	54
	60	50	50	50	50	50	50	50	50	50	50	50	50	50
	70	46	46	46	46	46	46	46	46	46	46	46	46	46
	80	44	44	44	44	44	44	44	44	44	44	44	44	44
90	41	41	41	41	41	41	41	41	41	41	41	41	41	
Zone 1	0	101	101	101	101	97	93	89	79	72	65	60	55	51
	10	87	87	87	87	87	87	87	79	72	65	60	55	51
	20	69	69	69	69	69	69	69	69	69	65	60	55	51
	30	68	68	68	68	68	68	68	68	68	65	60	55	51
	40	60	60	60	60	60	60	60	60	60	60	60	55	51
	50	54	54	54	54	54	54	54	54	54	54	54	54	51
	60	50	50	50	50	50	50	50	50	50	50	50	50	50
	70	46	46	46	46	46	46	46	46	46	46	46	46	46
	80	44	44	44	44	44	44	44	44	44	44	44	44	44
90	41	41	41	41	41	41	41	41	41	41	41	41	41	
Zone 2	0	101	97	92	87	81	76	72	65	59	54	49	46	42
	10	87	87	87	87	81	76	72	65	59	54	49	46	42
	20	69	69	69	69	69	69	69	65	59	54	49	46	42
	30	68	68	68	68	68	68	68	65	59	54	49	46	42
	40	60	60	60	60	60	60	60	60	59	54	49	46	42
	50	54	54	54	54	54	54	54	54	54	54	49	46	42
	60	50	50	50	50	50	50	50	50	50	50	49	46	42
	70	46	46	46	46	46	46	46	46	46	46	46	46	42
	80	44	44	44	44	44	44	44	44	44	44	44	44	42
90	41	41	41	41	41	41	41	41	41	41	41	41	41	
Zone 3	0	87	81	75	70	66	62	58	52	48	43	40	38	36
	10	87	81	75	70	66	62	58	52	48	43	40	38	36
	20	69	69	69	69	66	62	58	52	48	43	40	38	36
	30	68	68	68	68	66	62	58	52	48	43	40	38	36
	40	60	60	60	60	60	60	58	52	48	43	40	38	36
	50	54	54	54	54	54	54	54	52	48	43	40	38	36
	60	50	50	50	50	50	50	50	50	48	43	40	38	36
	70	46	46	46	46	46	46	46	46	46	43	40	38	36
	80	44	44	44	44	44	44	44	44	44	43	40	38	36
90	41	41	41	41	41	41	41	41	41	41	40	38	36	

Notes:

1. Tables are based on critical rail span for load combinations as specified in chapter 2 of the ASCE 7-16 and allowable design loads per the 2015 Aluminum Design Manual.
2. Panels are assumed to be in portrait orientation with a maximum length of 67.5"

Max Rail Spans for SunModo SMR100 System

Table 26b		Mean Roof Height: $15 < h \leq 30$ ft						Panel Orientation: Portrait						
		Roof Angle: $0 < \theta \leq 7$ degrees						North/South Support $\chi_E = 1.5$						
		Exposure Category: C						Roof Type: Gable						
Roof Wind Zone	Ground Snow Load (psf)	Wind Speed (mph)												
		90	95	100	105	110	115	120	130	140	150	160	170	180
Zone 1'	0	101	101	101	101	101	99	96	88	80	73	68	63	58
	10	87	87	87	87	87	87	87	87	80	73	68	63	58
	20	69	69	69	69	69	69	69	69	69	69	68	63	58
	30	68	68	68	68	68	68	68	68	68	68	68	63	58
	40	60	60	60	60	60	60	60	60	60	60	60	60	58
	50	54	54	54	54	54	54	54	54	54	54	54	54	54
	60	50	50	50	50	50	50	50	50	50	50	50	50	50
	70	46	46	46	46	46	46	46	46	46	46	46	46	46
	80	44	44	44	44	44	44	44	44	44	44	44	44	44
90	41	41	41	41	41	41	41	41	41	41	41	41	41	
Zone 1	0	97	92	86	81	76	71	67	60	55	50	46	43	40
	10	87	87	86	81	76	71	67	60	55	50	46	43	40
	20	69	69	69	69	69	69	67	60	55	50	46	43	40
	30	68	68	68	68	68	68	67	60	55	50	46	43	40
	40	60	60	60	60	60	60	60	60	55	50	46	43	40
	50	54	54	54	54	54	54	54	54	54	50	46	43	40
	60	50	50	50	50	50	50	50	50	50	50	46	43	40
	70	46	46	46	46	46	46	46	46	46	46	46	43	40
	80	44	44	44	44	44	44	44	44	44	44	44	43	40
90	41	41	41	41	41	41	41	41	41	41	41	41	40	
Zone 2	0	81	75	70	65	62	58	55	50	45	42	39	36	34
	10	81	75	70	65	62	58	55	50	45	42	39	36	34
	20	69	69	69	65	62	58	55	50	45	42	39	36	34
	30	68	68	68	65	62	58	55	50	45	42	39	36	34
	40	60	60	60	60	60	58	55	50	45	42	39	36	34
	50	54	54	54	54	54	54	54	50	45	42	39	36	34
	60	50	50	50	50	50	50	50	50	45	42	39	36	34
	70	46	46	46	46	46	46	46	46	45	42	39	36	34
	80	44	44	44	44	44	44	44	44	44	42	39	36	34
90	41	41	41	41	41	41	41	41	41	41	39	36	34	
Zone 3	0	65	61	57	53	50	47	45	41	38	35	33	31	29
	10	65	61	57	53	50	47	45	41	38	35	33	31	29
	20	65	61	57	53	50	47	45	41	38	35	33	31	29
	30	65	61	57	53	50	47	45	41	38	35	33	31	29
	40	60	60	57	53	50	47	45	41	38	35	33	31	29
	50	54	54	54	53	50	47	45	41	38	35	33	31	29
	60	50	50	50	50	50	47	45	41	38	35	33	31	29
	70	46	46	46	46	46	46	45	41	38	35	33	31	29
	80	44	44	44	44	44	44	44	41	38	35	33	31	29
90	41	41	41	41	41	41	41	41	38	35	33	31	29	

Notes:

1. Tables are based on critical rail span for load combinations as specified in chapter 2 of the ASCE 7-16 and allowable design loads per the 2015 Aluminum Design Manual.
2. Panels are assumed to be in portrait orientation with a maximum length of 67.5"

Max Rail Spans for SunModo SMR100 System

Table 27a		Mean Roof Height: $15 < h \leq 30$ ft							Panel Orientation: Portrait						
		Roof Angle: $0 < \theta \leq 7$ degrees							North/South Support $\chi_E = 1$						
		Exposure Category: D							Roof Type: Gable						
Roof Wind Zone	Ground Snow Load (psf)	Wind Speed (mph)													
		90	95	100	105	110	115	120	130	140	150	160	170	180	
Zone 1'	0	101	101	101	101	101	101	101	99	93	86	79	73	68	
	10	87	87	87	87	87	87	87	87	87	86	79	73	68	
	20	69	69	69	69	69	69	69	69	69	69	69	68	67	
	30	68	68	68	68	68	68	68	68	68	68	68	68	67	66
	40	60	60	60	60	60	60	60	60	60	60	60	60	60	60
	50	54	54	54	54	54	54	54	54	54	54	54	54	54	54
	60	50	50	50	50	50	50	50	50	50	50	50	50	50	50
	70	46	46	46	46	46	46	46	46	46	46	46	46	46	46
	80	44	44	44	44	44	44	44	44	44	44	44	44	44	44
90	41	41	41	41	41	41	41	41	41	41	41	41	41	41	
Zone 1	0	101	101	98	94	89	84	79	71	64	58	54	50	46	
	10	87	87	87	87	87	84	79	71	64	58	54	50	46	
	20	69	69	69	69	69	69	69	69	64	58	54	50	46	
	30	68	68	68	68	68	68	68	68	64	58	54	50	46	
	40	60	60	60	60	60	60	60	60	60	58	54	50	46	
	50	54	54	54	54	54	54	54	54	54	54	54	54	50	46
	60	50	50	50	50	50	50	50	50	50	50	50	50	50	46
	70	46	46	46	46	46	46	46	46	46	46	46	46	46	46
	80	44	44	44	44	44	44	44	44	44	44	44	44	44	44
90	41	41	41	41	41	41	41	41	41	41	41	41	41	41	
Zone 2	0	94	89	82	77	72	68	64	58	52	48	44	41	39	
	10	87	87	82	77	72	68	64	58	52	48	44	41	39	
	20	69	69	69	69	69	68	64	58	52	48	44	41	39	
	30	68	68	68	68	68	68	64	58	52	48	44	41	39	
	40	60	60	60	60	60	60	60	58	52	48	44	41	39	
	50	54	54	54	54	54	54	54	54	52	48	44	41	39	
	60	50	50	50	50	50	50	50	50	50	48	44	41	39	
	70	46	46	46	46	46	46	46	46	46	46	44	41	39	
	80	44	44	44	44	44	44	44	44	44	44	44	44	41	39
90	41	41	41	41	41	41	41	41	41	41	41	41	41	39	
Zone 3	0	77	71	67	62	58	55	52	47	43	40	37	35	33	
	10	77	71	67	62	58	55	52	47	43	40	37	35	33	
	20	69	69	67	62	58	55	52	47	43	40	37	35	33	
	30	68	68	67	62	58	55	52	47	43	40	37	35	33	
	40	60	60	60	60	58	55	52	47	43	40	37	35	33	
	50	54	54	54	54	54	54	52	47	43	40	37	35	33	
	60	50	50	50	50	50	50	50	47	43	40	37	35	33	
	70	46	46	46	46	46	46	46	46	43	40	37	35	33	
	80	44	44	44	44	44	44	44	44	43	40	37	35	33	
90	41	41	41	41	41	41	41	41	41	40	37	35	33		

Notes:

1. Tables are based on critical rail span for load combinations as specified in chapter 2 of the ASCE 7-16 and allowable design loads per the 2015 Aluminum Design Manual.
2. Panels are assumed to be in portrait orientation with a maximum length of 67.5"

Max Rail Spans for SunModo SMR100 System

Roof Wind Zone		Ground Snow Load (psf)	Wind Speed (mph)													
			90	95	100	105	110	115	120	130	140	150	160	170	180	
Zone 1'		0	101	101	101	100	96	92	88	79	72	66	61	57	53	
		10	87	87	87	87	87	87	87	79	72	66	61	57	53	
		20	69	69	69	69	69	69	69	69	69	66	61	57	53	
		30	68	68	68	68	68	68	68	68	68	66	61	57	53	
		40	60	60	60	60	60	60	60	60	60	60	60	57	53	
		50	54	54	54	54	54	54	54	54	54	54	54	54	54	53
		60	50	50	50	50	50	50	50	50	50	50	50	50	50	50
		70	46	46	46	46	46	46	46	46	46	46	46	46	46	46
		80	44	44	44	44	44	44	44	44	44	44	44	44	44	44
		90	41	41	41	41	41	41	41	41	41	41	41	41	41	41
Zone 1		0	89	82	77	72	67	63	60	54	49	45	42	39	37	
		10	87	82	77	72	67	63	60	54	49	45	42	39	37	
		20	69	69	69	69	67	63	60	54	49	45	42	39	37	
		30	68	68	68	68	67	63	60	54	49	45	42	39	37	
		40	60	60	60	60	60	60	60	54	49	45	42	39	37	
		50	54	54	54	54	54	54	54	54	49	45	42	39	37	
		60	50	50	50	50	50	50	50	50	49	45	42	39	37	
		70	46	46	46	46	46	46	46	46	46	45	42	39	37	
		80	44	44	44	44	44	44	44	44	44	44	42	39	37	
		90	41	41	41	41	41	41	41	41	41	41	41	39	37	
Zone 2		0	72	67	62	59	55	52	49	45	41	38	36	33	32	
		10	72	67	62	59	55	52	49	45	41	38	36	33	32	
		20	69	67	62	59	55	52	49	45	41	38	36	33	32	
		30	68	67	62	59	55	52	49	45	41	38	36	33	32	
		40	60	60	60	59	55	52	49	45	41	38	36	33	32	
		50	54	54	54	54	54	52	49	45	41	38	36	33	32	
		60	50	50	50	50	50	50	49	45	41	38	36	33	32	
		70	46	46	46	46	46	46	46	45	41	38	36	33	32	
		80	44	44	44	44	44	44	44	44	41	38	36	33	32	
		90	41	41	41	41	41	41	41	41	41	38	36	33	32	
Zone 3		0	58	54	51	48	45	42	40	37	34	32	30	28	27	
		10	58	54	51	48	45	42	40	37	34	32	30	28	27	
		20	58	54	51	48	45	42	40	37	34	32	30	28	27	
		30	58	54	51	48	45	42	40	37	34	32	30	28	27	
		40	58	54	51	48	45	42	40	37	34	32	30	28	27	
		50	54	54	51	48	45	42	40	37	34	32	30	28	27	
		60	50	50	50	48	45	42	40	37	34	32	30	28	27	
		70	46	46	46	46	45	42	40	37	34	32	30	28	27	
		80	44	44	44	44	44	42	40	37	34	32	30	28	27	
		90	41	41	41	41	41	41	40	37	34	32	30	28	27	

Notes:

1. Tables are based on critical rail span for load combinations as specified in chapter 2 of the ASCE 7-16 and allowable design loads per the 2015 Aluminum Design Manual.
2. Panels are assumed to be in portrait orientation with a maximum length of 67.5"

Max Rail Spans for SunModo SMR100 System

Table 28a		Mean Roof Height: $15 < h \leq 30$ ft						Panel Orientation: Portrait						
		Roof Angle: $7 < \theta \leq 20$ degrees						North/South Support $X_E = 1$						
		Exposure Category: B						Roof Type: Gable						
Roof Wind Zone	Ground Snow Load (psf)	Wind Speed (mph)												
		90	95	100	105	110	115	120	130	140	150	160	170	180
Zones 1 & 2e	0	101	101	101	101	101	100	95	87	78	71	66	61	57
	10	80	80	80	80	80	80	80	80	78	71	66	61	57
	20	62	62	62	62	62	62	62	62	62	62	62	61	57
	30	62	62	62	62	62	62	62	62	62	62	62	61	57
	40	55	55	55	55	55	55	55	55	55	55	55	55	55
	50	50	50	50	50	50	50	50	50	50	50	50	50	50
	60	46	46	46	46	46	46	46	46	46	46	46	46	46
	70	43	43	43	43	43	43	43	43	43	43	43	43	43
	80	40	40	40	40	40	40	40	40	40	40	40	40	40
90	38	38	38	38	38	38	38	38	38	38	38	38	38	
Zones 2h, 2r, & 3e	0	101	101	99	95	91	86	80	71	64	58	53	48	45
	10	80	80	80	80	80	80	80	71	64	58	53	48	45
	20	62	62	62	62	62	62	62	62	62	58	53	48	45
	30	62	62	62	62	62	62	62	62	62	58	53	48	45
	40	55	55	55	55	55	55	55	55	55	55	53	48	45
	50	50	50	50	50	50	50	50	50	50	50	50	48	45
	60	46	46	46	46	46	46	46	46	46	46	46	46	45
	70	43	43	43	43	43	43	43	43	43	43	43	43	43
	80	40	40	40	40	40	40	40	40	40	40	40	40	40
90	38	38	38	38	38	38	38	38	38	38	38	38	38	
Zone 3r	0	101	96	91	87	80	75	70	62	56	51	46	43	40
	10	80	80	80	80	80	75	70	62	56	51	46	43	40
	20	62	62	62	62	62	62	62	62	56	51	46	43	40
	30	62	62	62	62	62	62	62	62	56	51	46	43	40
	40	55	55	55	55	55	55	55	55	55	51	46	43	40
	50	50	50	50	50	50	50	50	50	50	50	46	43	40
	60	46	46	46	46	46	46	46	46	46	46	46	43	40
	70	43	43	43	43	43	43	43	43	43	43	43	43	40
	80	40	40	40	40	40	40	40	40	40	40	40	40	40
90	38	38	38	38	38	38	38	38	38	38	38	38	38	

Notes:

1. Tables are based on critical rail span for load combinations as specified in chapter 2 of the ASCE 7-16 and allowable design loads per the 2015 Aluminum Design Manual.
2. Panels are assumed to be in portrait orientation with a maximum length of 67.5"

Max Rail Spans for SunModo SMR100 System

Roof Wind Zone		Ground Snow Load (psf)	Wind Speed (mph)													
			90	95	100	105	110	115	120	130	140	150	160	170	180	
Zones 1 & 2e		0	101	99	93	89	82	77	73	66	60	55	51	48	44	
		10	80	80	80	80	80	77	73	66	60	55	51	48	44	
		20	62	62	62	62	62	62	62	62	60	55	51	48	44	
		30	62	62	62	62	62	62	62	62	60	55	51	48	44	
		40	55	55	55	55	55	55	55	55	55	55	51	48	44	
		50	50	50	50	50	50	50	50	50	50	50	50	50	48	44
		60	46	46	46	46	46	46	46	46	46	46	46	46	46	44
		70	43	43	43	43	43	43	43	43	43	43	43	43	43	43
		80	40	40	40	40	40	40	40	40	40	40	40	40	40	40
		90	38	38	38	38	38	38	38	38	38	38	38	38	38	38
Zones 2h, 2r, & 3e		0	91	85	78	72	67	63	59	53	48	44	40	38	36	
		10	80	80	78	72	67	63	59	53	48	44	40	38	36	
		20	62	62	62	62	62	62	59	53	48	44	40	38	36	
		30	62	62	62	62	62	62	59	53	48	44	40	38	36	
		40	55	55	55	55	55	55	55	53	48	44	40	38	36	
		50	50	50	50	50	50	50	50	50	48	44	40	38	36	
		60	46	46	46	46	46	46	46	46	46	44	40	38	36	
		70	43	43	43	43	43	43	43	43	43	43	40	38	36	
		80	40	40	40	40	40	40	40	40	40	40	40	38	36	
		90	38	38	38	38	38	38	38	38	38	38	38	38	38	36
Zone 3r		0	80	74	68	63	59	56	52	47	42	39	37	34	32	
		10	80	74	68	63	59	56	52	47	42	39	37	34	32	
		20	62	62	62	62	59	56	52	47	42	39	37	34	32	
		30	62	62	62	62	59	56	52	47	42	39	37	34	32	
		40	55	55	55	55	55	55	52	47	42	39	37	34	32	
		50	50	50	50	50	50	50	50	47	42	39	37	34	32	
		60	46	46	46	46	46	46	46	46	42	39	37	34	32	
		70	43	43	43	43	43	43	43	43	42	39	37	34	32	
		80	40	40	40	40	40	40	40	40	40	39	37	34	32	
		90	38	38	38	38	38	38	38	38	38	38	37	34	32	

Notes:

1. Tables are based on critical rail span for load combinations as specified in chapter 2 of the ASCE 7-16 and allowable design loads per the 2015 Aluminum Design Manual.
2. Panels are assumed to be in portrait orientation with a maximum length of 67.5"

Max Rail Spans for SunModo SMR100 System

Roof Wind Zone		Ground Snow Load (psf)	Wind Speed (mph)													
			90	95	100	105	110	115	120	130	140	150	160	170	180	
Zones 1 & 2e		0	101	101	97	92	87	81	77	69	63	58	53	50	46	
		10	80	80	80	80	80	80	80	77	69	63	58	53	50	46
		20	62	62	62	62	62	62	62	62	62	62	58	53	50	46
		30	62	62	62	62	62	62	62	62	62	62	58	53	50	46
		40	55	55	55	55	55	55	55	55	55	55	55	53	50	46
		50	50	50	50	50	50	50	50	50	50	50	50	50	50	46
		60	46	46	46	46	46	46	46	46	46	46	46	46	46	46
		70	43	43	43	43	43	43	43	43	43	43	43	43	43	43
		80	40	40	40	40	40	40	40	40	40	40	40	40	40	40
		90	38	38	38	38	38	38	38	38	38	38	38	38	38	38
Zones 2h, 2r, & 3e		0	94	89	82	76	71	66	62	56	50	46	42	39	37	
		10	80	80	80	76	71	66	62	56	50	46	42	39	37	
		20	62	62	62	62	62	62	62	56	50	46	42	39	37	
		30	62	62	62	62	62	62	62	56	50	46	42	39	37	
		40	55	55	55	55	55	55	55	55	50	46	42	39	37	
		50	50	50	50	50	50	50	50	50	50	46	42	39	37	
		60	46	46	46	46	46	46	46	46	46	46	46	42	39	37
		70	43	43	43	43	43	43	43	43	43	43	43	42	39	37
		80	40	40	40	40	40	40	40	40	40	40	40	40	39	37
		90	38	38	38	38	38	38	38	38	38	38	38	38	38	37
Zone 3r		0	85	78	72	67	62	58	55	49	44	41	38	36	34	
		10	80	78	72	67	62	58	55	49	44	41	38	36	34	
		20	62	62	62	62	62	58	55	49	44	41	38	36	34	
		30	62	62	62	62	62	58	55	49	44	41	38	36	34	
		40	55	55	55	55	55	55	55	49	44	41	38	36	34	
		50	50	50	50	50	50	50	50	49	44	41	38	36	34	
		60	46	46	46	46	46	46	46	46	44	41	38	36	34	
		70	43	43	43	43	43	43	43	43	43	41	38	36	34	
		80	40	40	40	40	40	40	40	40	40	40	38	36	34	
		90	38	38	38	38	38	38	38	38	38	38	38	36	34	

Notes:

1. Tables are based on critical rail span for load combinations as specified in chapter 2 of the ASCE 7-16 and allowable design loads per the 2015 Aluminum Design Manual.
2. Panels are assumed to be in portrait orientation with a maximum length of 67.5"

Max Rail Spans for SunModo SMR100 System

Roof Wind Zone		Ground Snow Load (psf)	Wind Speed (mph)												
			90	95	100	105	110	115	120	130	140	150	160	170	180
Zones 1 & 2e		0	86	80	75	70	66	62	59	54	49	45	42	39	37
		10	80	80	75	70	66	62	59	54	49	45	42	39	37
		20	62	62	62	62	62	62	59	54	49	45	42	39	37
		30	62	62	62	62	62	62	59	54	49	45	42	39	37
		40	55	55	55	55	55	55	55	54	49	45	42	39	37
		50	50	50	50	50	50	50	50	50	49	45	42	39	37
		60	46	46	46	46	46	46	46	46	46	45	42	39	37
		70	43	43	43	43	43	43	43	43	43	43	42	39	37
		80	40	40	40	40	40	40	40	40	40	40	40	39	37
		90	38	38	38	38	38	38	38	38	38	38	38	38	37
Zones 2h, 2r, & 3e		0	71	65	61	57	53	50	47	42	39	36	34	32	30
		10	71	65	61	57	53	50	47	42	39	36	34	32	30
		20	62	62	61	57	53	50	47	42	39	36	34	32	30
		30	62	62	61	57	53	50	47	42	39	36	34	32	30
		40	55	55	55	55	53	50	47	42	39	36	34	32	30
		50	50	50	50	50	50	50	47	42	39	36	34	32	30
		60	46	46	46	46	46	46	46	42	39	36	34	32	30
		70	43	43	43	43	43	43	43	42	39	36	34	32	30
		80	40	40	40	40	40	40	40	40	39	36	34	32	30
		90	38	38	38	38	38	38	38	38	38	36	34	32	30
Zone 3r		0	62	57	53	50	47	44	42	38	35	33	31	29	27
		10	62	57	53	50	47	44	42	38	35	33	31	29	27
		20	62	57	53	50	47	44	42	38	35	33	31	29	27
		30	62	57	53	50	47	44	42	38	35	33	31	29	27
		40	55	55	53	50	47	44	42	38	35	33	31	29	27
		50	50	50	50	50	47	44	42	38	35	33	31	29	27
		60	46	46	46	46	46	44	42	38	35	33	31	29	27
		70	43	43	43	43	43	43	42	38	35	33	31	29	27
		80	40	40	40	40	40	40	40	38	35	33	31	29	27
		90	38	38	38	38	38	38	38	38	35	33	31	29	27

Notes:

1. Tables are based on critical rail span for load combinations as specified in chapter 2 of the ASCE 7-16 and allowable design loads per the 2015 Aluminum Design Manual.
2. Panels are assumed to be in portrait orientation with a maximum length of 67.5"

Max Rail Spans for SunModo SMR100 System

Roof Wind Zone		Ground Snow Load (psf)	Wind Speed (mph)												
			90	95	100	105	110	115	120	130	140	150	160	170	180
Zones 1 & 2e		0	99	93	88	82	77	73	69	62	57	52	48	45	42
		10	80	80	80	80	77	73	69	62	57	52	48	45	42
		20	62	62	62	62	62	62	62	62	57	52	48	45	42
		30	62	62	62	62	62	62	62	62	57	52	48	45	42
		40	55	55	55	55	55	55	55	55	55	52	48	45	42
		50	50	50	50	50	50	50	50	50	50	50	48	45	42
		60	46	46	46	46	46	46	46	46	46	46	46	45	42
		70	43	43	43	43	43	43	43	43	43	43	43	43	42
		80	40	40	40	40	40	40	40	40	40	40	40	40	40
		90	38	38	38	38	38	38	38	38	38	38	38	38	38
Zones 2h, 2r, & 3e		0	85	78	72	67	63	59	55	49	45	41	38	36	34
		10	80	78	72	67	63	59	55	49	45	41	38	36	34
		20	62	62	62	62	62	59	55	49	45	41	38	36	34
		30	62	62	62	62	62	59	55	49	45	41	38	36	34
		40	55	55	55	55	55	55	55	49	45	41	38	36	34
		50	50	50	50	50	50	50	50	49	45	41	38	36	34
		60	46	46	46	46	46	46	46	46	45	41	38	36	34
		70	43	43	43	43	43	43	43	43	43	41	38	36	34
		80	40	40	40	40	40	40	40	40	40	40	38	36	34
		90	38	38	38	38	38	38	38	38	38	38	38	36	34
Zone 3r		0	74	68	63	59	55	52	49	44	40	37	35	33	31
		10	74	68	63	59	55	52	49	44	40	37	35	33	31
		20	62	62	62	59	55	52	49	44	40	37	35	33	31
		30	62	62	62	59	55	52	49	44	40	37	35	33	31
		40	55	55	55	55	55	52	49	44	40	37	35	33	31
		50	50	50	50	50	50	50	49	44	40	37	35	33	31
		60	46	46	46	46	46	46	46	44	40	37	35	33	31
		70	43	43	43	43	43	43	43	43	40	37	35	33	31
		80	40	40	40	40	40	40	40	40	40	37	35	33	31
		90	38	38	38	38	38	38	38	38	38	37	35	33	31

Notes:

1. Tables are based on critical rail span for load combinations as specified in chapter 2 of the ASCE 7-16 and allowable design loads per the 2015 Aluminum Design Manual.
2. Panels are assumed to be in portrait orientation with a maximum length of 67.5"

Max Rail Spans for SunModo SMR100 System

Roof Wind Zone		Ground Snow Load (psf)	Wind Speed (mph)												
			90	95	100	105	110	115	120	130	140	150	160	170	180
Zones 1 & 2e		0	77	72	67	63	59	56	53	48	44	41	38	36	34
		10	77	72	67	63	59	56	53	48	44	41	38	36	34
		20	62	62	62	62	59	56	53	48	44	41	38	36	34
		30	62	62	62	62	59	56	53	48	44	41	38	36	34
		40	55	55	55	55	55	55	53	48	44	41	38	36	34
		50	50	50	50	50	50	50	50	48	44	41	38	36	34
		60	46	46	46	46	46	46	46	46	44	41	38	36	34
		70	43	43	43	43	43	43	43	43	43	41	38	36	34
		80	40	40	40	40	40	40	40	40	40	40	38	36	34
		90	38	38	38	38	38	38	38	38	38	38	38	38	36
Zones 2h, 2r, & 3e		0	62	58	54	50	47	44	42	39	36	33	31	29	27
		10	62	58	54	50	47	44	42	39	36	33	31	29	27
		20	62	58	54	50	47	44	42	39	36	33	31	29	27
		30	62	58	54	50	47	44	42	39	36	33	31	29	27
		40	55	55	54	50	47	44	42	39	36	33	31	29	27
		50	50	50	50	50	47	44	42	39	36	33	31	29	27
		60	46	46	46	46	46	44	42	39	36	33	31	29	27
		70	43	43	43	43	43	43	42	39	36	33	31	29	27
		80	40	40	40	40	40	40	40	39	36	33	31	29	27
		90	38	38	38	38	38	38	38	38	38	36	33	31	29
Zone 3r		0	55	51	47	44	42	40	38	35	32	30	28	27	25
		10	55	51	47	44	42	40	38	35	32	30	28	27	25
		20	55	51	47	44	42	40	38	35	32	30	28	27	25
		30	55	51	47	44	42	40	38	35	32	30	28	27	25
		40	55	51	47	44	42	40	38	35	32	30	28	27	25
		50	50	50	47	44	42	40	38	35	32	30	28	27	25
		60	46	46	46	44	42	40	38	35	32	30	28	27	25
		70	43	43	43	43	42	40	38	35	32	30	28	27	25
		80	40	40	40	40	40	40	38	35	32	30	28	27	25
		90	38	38	38	38	38	38	38	35	32	30	28	27	25

Notes:

1. Tables are based on critical rail span for load combinations as specified in chapter 2 of the ASCE 7-16 and allowable design loads per the 2015 Aluminum Design Manual.
2. Panels are assumed to be in portrait orientation with a maximum length of 67.5"

Max Rail Spans for SunModo SMR100 System

Roof Wind Zone		Ground Snow Load (psf)	Wind Speed (mph)													
			90	95	100	105	110	115	120	130	140	150	160	170	180	
Zones 1 & 2e		0	101	101	101	101	101	101	101	99	93	87	81	74	69	
		10	86	86	86	86	86	86	86	86	86	86	81	74	69	
		20	73	73	73	73	73	73	73	73	73	73	72	71	70	69
		30	62	62	62	62	62	62	62	62	62	62	62	62	62	61
		40	55	55	55	55	55	55	55	55	55	55	55	55	55	55
		50	50	50	50	50	50	50	50	50	50	50	50	50	50	50
		60	46	46	46	46	46	46	46	46	46	46	46	46	46	46
		70	43	43	43	43	43	43	43	43	43	43	43	43	43	43
		80	40	40	40	40	40	40	40	40	40	40	40	40	40	40
		90	38	38	38	38	38	38	38	38	38	38	38	38	38	38
Zones 2h, 2r, & 3e		0	101	101	101	101	98	94	90	83	74	66	60	55	51	
		10	86	86	86	86	86	86	86	86	83	74	66	60	55	51
		20	73	73	73	73	73	73	73	73	73	73	66	60	55	51
		30	62	62	62	62	62	62	62	62	62	62	62	60	55	51
		40	55	55	55	55	55	55	55	55	55	55	55	55	55	51
		50	50	50	50	50	50	50	50	50	50	50	50	50	50	50
		60	46	46	46	46	46	46	46	46	46	46	46	46	46	46
		70	43	43	43	43	43	43	43	43	43	43	43	43	43	43
		80	40	40	40	40	40	40	40	40	40	40	40	40	40	40
		90	38	38	38	38	38	38	38	38	38	38	38	38	38	38
Zone 3r		0	101	101	101	97	93	89	85	75	66	60	54	50	46	
		10	86	86	86	86	86	86	86	85	75	66	60	54	50	46
		20	73	73	73	73	73	73	73	73	73	66	60	54	50	46
		30	62	62	62	62	62	62	62	62	62	62	60	54	50	46
		40	55	55	55	55	55	55	55	55	55	55	55	54	50	46
		50	50	50	50	50	50	50	50	50	50	50	50	50	50	46
		60	46	46	46	46	46	46	46	46	46	46	46	46	46	46
		70	43	43	43	43	43	43	43	43	43	43	43	43	43	43
		80	40	40	40	40	40	40	40	40	40	40	40	40	40	40
		90	38	38	38	38	38	38	38	38	38	38	38	38	38	38

Notes:

1. Tables are based on critical rail span for load combinations as specified in chapter 2 of the ASCE 7-16 and allowable design loads per the 2015 Aluminum Design Manual.
2. Panels are assumed to be in portrait orientation with a maximum length of 67.5"

Max Rail Spans for SunModo SMR100 System

Roof Wind Zone		Ground Snow Load (psf)	Wind Speed (mph)													
			90	95	100	105	110	115	120	130	140	150	160	170	180	
Zones 1 & 2e		0	101	101	101	100	96	92	89	81	73	67	62	57	53	
		10	86	86	86	86	86	86	86	81	73	67	62	57	53	
		20	73	73	73	73	73	73	73	73	73	67	62	57	53	
		30	62	62	62	62	62	62	62	62	62	62	62	57	53	
		40	55	55	55	55	55	55	55	55	55	55	55	55	53	
		50	50	50	50	50	50	50	50	50	50	50	50	50	50	50
		60	46	46	46	46	46	46	46	46	46	46	46	46	46	46
		70	43	43	43	43	43	43	43	43	43	43	43	43	43	43
		80	40	40	40	40	40	40	40	40	40	40	40	40	40	40
		90	38	38	38	38	38	38	38	38	38	38	38	38	38	38
Zones 2h, 2r, & 3e		0	98	93	89	85	78	73	68	61	55	50	45	42	39	
		10	86	86	86	85	78	73	68	61	55	50	45	42	39	
		20	73	73	73	73	73	73	68	61	55	50	45	42	39	
		30	62	62	62	62	62	62	62	61	55	50	45	42	39	
		40	55	55	55	55	55	55	55	55	55	50	45	42	39	
		50	50	50	50	50	50	50	50	50	50	50	45	42	39	
		60	46	46	46	46	46	46	46	46	46	46	46	45	42	39
		70	43	43	43	43	43	43	43	43	43	43	43	43	42	39
		80	40	40	40	40	40	40	40	40	40	40	40	40	40	39
		90	38	38	38	38	38	38	38	38	38	38	38	38	38	38
Zone 3r		0	92	88	83	76	70	66	61	55	49	44	41	38	35	
		10	86	86	83	76	70	66	61	55	49	44	41	38	35	
		20	73	73	73	73	70	66	61	55	49	44	41	38	35	
		30	62	62	62	62	62	62	61	55	49	44	41	38	35	
		40	55	55	55	55	55	55	55	55	49	44	41	38	35	
		50	50	50	50	50	50	50	50	50	49	44	41	38	35	
		60	46	46	46	46	46	46	46	46	46	44	41	38	35	
		70	43	43	43	43	43	43	43	43	43	43	41	38	35	
		80	40	40	40	40	40	40	40	40	40	40	40	38	35	
		90	38	38	38	38	38	38	38	38	38	38	38	38	38	35

Notes:

1. Tables are based on critical rail span for load combinations as specified in chapter 2 of the ASCE 7-16 and allowable design loads per the 2015 Aluminum Design Manual.
2. Panels are assumed to be in portrait orientation with a maximum length of 67.5"

Max Rail Spans for SunModo SMR100 System

Table 32a		Mean Roof Height: $15 < h \leq 30$ ft					Panel Orientation: Portrait				North/South Support $X_E = 1$				
		Roof Angle: $20 < \theta \leq 27$ degrees					Exposure Category: C				Roof Type: Gable				
Roof Wind Zone	Ground Snow Load (psf)	Wind Speed (mph)													
		90	95	100	105	110	115	120	130	140	150	160	170	180	
Zones 1 & 2e	0	101	101	101	101	99	95	91	85	77	70	64	60	56	
	10	86	86	86	86	86	86	86	85	77	70	64	60	56	
	20	73	73	73	73	73	73	73	72	71	69	64	60	56	
	30	62	62	62	62	62	62	62	62	62	62	61	60	56	
	40	55	55	55	55	55	55	55	55	55	55	55	54	54	
	50	50	50	50	50	50	50	50	50	50	50	50	50	50	50
	60	46	46	46	46	46	46	46	46	46	46	46	46	46	46
	70	43	43	43	43	43	43	43	43	43	43	43	43	43	43
	80	40	40	40	40	40	40	40	40	40	40	40	40	40	40
90	38	38	38	38	38	38	38	38	38	38	38	38	38	38	
Zones 2h, 2r, & 3e	0	101	96	91	87	83	77	72	64	57	52	48	44	41	
	10	86	86	86	86	83	77	72	64	57	52	48	44	41	
	20	73	73	73	73	73	73	72	64	57	52	48	44	41	
	30	62	62	62	62	62	62	62	62	57	52	48	44	41	
	40	55	55	55	55	55	55	55	55	55	52	48	44	41	
	50	50	50	50	50	50	50	50	50	50	50	48	44	41	
	60	46	46	46	46	46	46	46	46	46	46	46	44	41	
	70	43	43	43	43	43	43	43	43	43	43	43	43	41	
	80	40	40	40	40	40	40	40	40	40	40	40	40	40	
90	38	38	38	38	38	38	38	38	38	38	38	38	38		
Zone 3r	0	96	91	86	81	75	69	65	57	51	47	43	40	37	
	10	86	86	86	81	75	69	65	57	51	47	43	40	37	
	20	73	73	73	73	73	69	65	57	51	47	43	40	37	
	30	62	62	62	62	62	62	62	57	51	47	43	40	37	
	40	55	55	55	55	55	55	55	55	51	47	43	40	37	
	50	50	50	50	50	50	50	50	50	50	47	43	40	37	
	60	46	46	46	46	46	46	46	46	46	46	43	40	37	
	70	43	43	43	43	43	43	43	43	43	43	43	40	37	
	80	40	40	40	40	40	40	40	40	40	40	40	40	37	
90	38	38	38	38	38	38	38	38	38	38	38	38	37		

Notes:

1. Tables are based on critical rail span for load combinations as specified in chapter 2 of the ASCE 7-16 and allowable design loads per the 2015 Aluminum Design Manual.
2. Panels are assumed to be in portrait orientation with a maximum length of 67.5"

Max Rail Spans for SunModo SMR100 System

Roof Wind Zone		Ground Snow Load (psf)	Wind Speed (mph)													
			90	95	100	105	110	115	120	130	140	150	160	170	180	
Zones 1 & 2e		0	99	94	90	86	81	76	72	65	59	54	50	46	43	
		10	86	86	86	86	81	76	72	65	59	54	50	46	43	
		20	73	73	73	73	73	73	73	72	65	59	54	50	46	43
		30	62	62	62	62	62	62	62	62	62	59	54	50	46	43
		40	55	55	55	55	55	55	55	55	55	55	54	50	46	43
		50	50	50	50	50	50	50	50	50	50	50	50	50	46	43
		60	46	46	46	46	46	46	46	46	46	46	46	46	46	43
		70	43	43	43	43	43	43	43	43	43	43	43	43	43	43
		80	40	40	40	40	40	40	40	40	40	40	40	40	40	40
		90	38	38	38	38	38	38	38	38	38	38	38	38	38	38
Zones 2h, 2r, & 3e		0	83	76	70	65	61	57	54	48	43	40	37	35	33	
		10	83	76	70	65	61	57	54	48	43	40	37	35	33	
		20	73	73	70	65	61	57	54	48	43	40	37	35	33	
		30	62	62	62	62	61	57	54	48	43	40	37	35	33	
		40	55	55	55	55	55	55	54	48	43	40	37	35	33	
		50	50	50	50	50	50	50	50	48	43	40	37	35	33	
		60	46	46	46	46	46	46	46	46	43	40	37	35	33	
		70	43	43	43	43	43	43	43	43	43	40	37	35	33	
		80	40	40	40	40	40	40	40	40	40	40	37	35	33	
		90	38	38	38	38	38	38	38	38	38	38	37	35	33	
Zone 3r		0	74	68	63	58	54	51	48	43	39	36	33	31	29	
		10	74	68	63	58	54	51	48	43	39	36	33	31	29	
		20	73	68	63	58	54	51	48	43	39	36	33	31	29	
		30	62	62	62	58	54	51	48	43	39	36	33	31	29	
		40	55	55	55	55	54	51	48	43	39	36	33	31	29	
		50	50	50	50	50	50	50	48	43	39	36	33	31	29	
		60	46	46	46	46	46	46	46	43	39	36	33	31	29	
		70	43	43	43	43	43	43	43	43	39	36	33	31	29	
		80	40	40	40	40	40	40	40	40	39	36	33	31	29	
		90	38	38	38	38	38	38	38	38	38	36	33	31	29	

Notes:

1. Tables are based on critical rail span for load combinations as specified in chapter 2 of the ASCE 7-16 and allowable design loads per the 2015 Aluminum Design Manual.
2. Panels are assumed to be in portrait orientation with a maximum length of 67.5"

Max Rail Spans for SunModo SMR100 System

Roof Wind Zone		Ground Snow Load (psf)	Wind Speed (mph)													
			90	95	100	105	110	115	120	130	140	150	160	170	180	
Zones 1 & 2e		0	101	101	100	96	92	88	85	76	69	63	58	54	50	
		10	86	86	86	86	86	86	86	85	76	69	63	58	54	50
		20	73	73	73	73	73	73	73	72	70	69	63	58	54	50
		30	62	62	62	62	62	62	62	62	62	61	60	58	54	50
		40	55	55	55	55	55	55	55	55	55	55	55	54	53	50
		50	50	50	50	50	50	50	50	50	50	50	50	50	49	49
		60	46	46	46	46	46	46	46	46	46	46	46	46	46	46
		70	43	43	43	43	43	43	43	43	43	43	43	43	43	43
		80	40	40	40	40	40	40	40	40	40	40	40	40	40	40
		90	38	38	38	38	38	38	38	38	38	38	38	38	38	38
Zones 2h, 2r, & 3e		0	93	89	84	78	72	68	64	57	51	46	42	40	37	
		10	86	86	84	78	72	68	64	57	51	46	42	40	37	
		20	73	73	73	73	72	68	64	57	51	46	42	40	37	
		30	62	62	62	62	62	62	62	57	51	46	42	40	37	
		40	55	55	55	55	55	55	55	55	51	46	42	40	37	
		50	50	50	50	50	50	50	50	50	50	46	42	40	37	
		60	46	46	46	46	46	46	46	46	46	46	46	42	40	37
		70	43	43	43	43	43	43	43	43	43	43	43	42	40	37
		80	40	40	40	40	40	40	40	40	40	40	40	40	40	37
		90	38	38	38	38	38	38	38	38	38	38	38	38	38	37
Zone 3r		0	88	83	76	70	65	61	57	51	46	42	38	36	33	
		10	86	83	76	70	65	61	57	51	46	42	38	36	33	
		20	73	73	73	70	65	61	57	51	46	42	38	36	33	
		30	62	62	62	62	62	61	57	51	46	42	38	36	33	
		40	55	55	55	55	55	55	55	51	46	42	38	36	33	
		50	50	50	50	50	50	50	50	50	46	42	38	36	33	
		60	46	46	46	46	46	46	46	46	46	46	42	38	36	33
		70	43	43	43	43	43	43	43	43	43	43	42	38	36	33
		80	40	40	40	40	40	40	40	40	40	40	40	38	36	33
		90	38	38	38	38	38	38	38	38	38	38	38	38	36	33

Notes:

1. Tables are based on critical rail span for load combinations as specified in chapter 2 of the ASCE 7-16 and allowable design loads per the 2015 Aluminum Design Manual.
2. Panels are assumed to be in portrait orientation with a maximum length of 67.5"

Max Rail Spans for SunModo SMR100 System

Roof Wind Zone		Ground Snow Load (psf)	Wind Speed (mph)												
			90	95	100	105	110	115	120	130	140	150	160	170	180
Zones 1 & 2e		0	91	87	82	77	72	68	65	58	53	49	45	42	40
		10	86	86	82	77	72	68	65	58	53	49	45	42	40
		20	73	73	73	73	72	68	65	58	53	49	45	42	40
		30	62	62	62	62	62	62	62	58	53	49	45	42	40
		40	55	55	55	55	55	55	55	55	53	49	45	42	40
		50	50	50	50	50	50	50	50	50	50	49	45	42	40
		60	46	46	46	46	46	46	46	46	46	46	45	42	40
		70	43	43	43	43	43	43	43	43	43	43	43	42	40
		80	40	40	40	40	40	40	40	40	40	40	40	40	40
90	38	38	38	38	38	38	38	38	38	38	38	38	38		
Zones 2h, 2r, & 3e		0	72	67	62	57	54	51	48	43	39	37	34	32	30
		10	72	67	62	57	54	51	48	43	39	37	34	32	30
		20	72	67	62	57	54	51	48	43	39	37	34	32	30
		30	62	62	62	57	54	51	48	43	39	37	34	32	30
		40	55	55	55	55	54	51	48	43	39	37	34	32	30
		50	50	50	50	50	50	50	48	43	39	37	34	32	30
		60	46	46	46	46	46	46	46	43	39	37	34	32	30
		70	43	43	43	43	43	43	43	43	39	37	34	32	30
		80	40	40	40	40	40	40	40	40	39	37	34	32	30
90	38	38	38	38	38	38	38	38	38	37	34	32	30		
Zone 3r		0	65	60	55	52	48	45	43	39	35	33	30	28	26
		10	65	60	55	52	48	45	43	39	35	33	30	28	26
		20	65	60	55	52	48	45	43	39	35	33	30	28	26
		30	62	60	55	52	48	45	43	39	35	33	30	28	26
		40	55	55	55	52	48	45	43	39	35	33	30	28	26
		50	50	50	50	50	48	45	43	39	35	33	30	28	26
		60	46	46	46	46	46	45	43	39	35	33	30	28	26
		70	43	43	43	43	43	43	43	39	35	33	30	28	26
		80	40	40	40	40	40	40	40	39	35	33	30	28	26
90	38	38	38	38	38	38	38	38	35	33	30	28	26		

Notes:

1. Tables are based on critical rail span for load combinations as specified in chapter 2 of the ASCE 7-16 and allowable design loads per the 2015 Aluminum Design Manual.
2. Panels are assumed to be in portrait orientation with a maximum length of 67.5"

Max Rail Spans for SunModo SMR100 System

Roof Wind Zone		Ground Snow Load (psf)	Wind Speed (mph)													
			90	95	100	105	110	115	120	130	140	150	160	170	180	
Zones 1, 2e, & 2r		0	101	101	101	101	101	101	100	96	91	86	80	73	66	
		10	86	86	86	86	86	86	85	83	81	78	76	73	66	
		20	75	75	75	75	74	73	73	71	70	68	67	65	64	
		30	64	64	64	64	64	64	64	64	64	62	61	60	59	58
		40	57	57	57	57	57	57	57	57	57	57	56	55	54	53
		50	52	52	52	52	52	52	52	52	52	52	52	51	51	50
		60	48	48	48	48	48	48	48	48	48	48	48	48	48	47
		70	45	45	45	45	45	45	45	45	45	45	45	45	45	44
		80	42	42	42	42	42	42	42	42	42	42	42	42	42	42
		90	40	40	40	40	40	40	40	40	40	40	40	40	40	40
Zones 2n & 3r		0	101	101	101	101	101	101	98	91	85	78	71	65	60	
		10	86	86	86	86	86	86	85	83	81	78	71	65	60	
		20	75	75	75	75	74	73	73	71	70	68	67	65	60	
		30	64	64	64	64	64	64	64	64	64	62	61	60	59	58
		40	57	57	57	57	57	57	57	57	57	57	56	55	54	53
		50	52	52	52	52	52	52	52	52	52	52	52	51	51	50
		60	48	48	48	48	48	48	48	48	48	48	48	48	48	47
		70	45	45	45	45	45	45	45	45	45	45	45	45	45	44
		80	42	42	42	42	42	42	42	42	42	42	42	42	42	42
		90	40	40	40	40	40	40	40	40	40	40	40	40	40	40
Zone 3e		0	101	101	101	100	96	92	89	83	74	67	61	55	51	
		10	86	86	86	86	86	86	85	83	74	67	61	55	51	
		20	75	75	75	75	74	73	73	71	70	67	61	55	51	
		30	64	64	64	64	64	64	64	64	64	62	61	60	55	51
		40	57	57	57	57	57	57	57	57	57	57	56	55	54	51
		50	52	52	52	52	52	52	52	52	52	52	52	51	51	50
		60	48	48	48	48	48	48	48	48	48	48	48	48	48	47
		70	45	45	45	45	45	45	45	45	45	45	45	45	45	44
		80	42	42	42	42	42	42	42	42	42	42	42	42	42	42
		90	40	40	40	40	40	40	40	40	40	40	40	40	40	40

Notes:

1. Tables are based on critical rail span for load combinations as specified in chapter 2 of the ASCE 7-16 and allowable design loads per the 2015 Aluminum Design Manual.
2. Panels are assumed to be in portrait orientation with a maximum length of 67.5"

Max Rail Spans for SunModo SMR100 System

Roof Wind Zone		Ground Snow Load (psf)	Wind Speed (mph)													
			90	95	100	105	110	115	120	130	140	150	160	170	180	
Zones 1, 2e, & 2r		0	101	101	101	100	95	91	88	81	72	64	58	53	49	
		10	86	86	86	86	86	86	85	81	72	64	58	53	49	
		20	75	75	75	75	74	73	73	71	70	64	58	53	49	
		30	64	64	64	64	64	64	64	64	62	61	58	53	49	
		40	57	57	57	57	57	57	57	57	57	56	55	53	49	
		50	52	52	52	52	52	52	52	52	52	52	52	51	51	49
		60	48	48	48	48	48	48	48	48	48	48	48	48	48	47
		70	45	45	45	45	45	45	45	45	45	45	45	45	45	44
		80	42	42	42	42	42	42	42	42	42	42	42	42	42	42
		90	40	40	40	40	40	40	40	40	40	40	40	40	40	40
Zones 2n & 3r		0	101	101	96	92	88	85	81	72	64	58	53	49	45	
		10	86	86	86	86	86	85	81	72	64	58	53	49	45	
		20	75	75	75	75	74	73	73	71	64	58	53	49	45	
		30	64	64	64	64	64	64	64	64	62	58	53	49	45	
		40	57	57	57	57	57	57	57	57	57	56	53	49	45	
		50	52	52	52	52	52	52	52	52	52	52	52	51	49	45
		60	48	48	48	48	48	48	48	48	48	48	48	48	48	45
		70	45	45	45	45	45	45	45	45	45	45	45	45	45	44
		80	42	42	42	42	42	42	42	42	42	42	42	42	42	42
		90	40	40	40	40	40	40	40	40	40	40	40	40	40	40
Zone 3e		0	96	91	87	84	79	73	69	61	55	50	46	42	39	
		10	86	86	86	84	79	73	69	61	55	50	46	42	39	
		20	75	75	75	75	74	73	69	61	55	50	46	42	39	
		30	64	64	64	64	64	64	64	61	55	50	46	42	39	
		40	57	57	57	57	57	57	57	57	55	50	46	42	39	
		50	52	52	52	52	52	52	52	52	52	50	46	42	39	
		60	48	48	48	48	48	48	48	48	48	48	46	42	39	
		70	45	45	45	45	45	45	45	45	45	45	45	42	39	
		80	42	42	42	42	42	42	42	42	42	42	42	42	39	
		90	40	40	40	40	40	40	40	40	40	40	40	40	39	

Notes:

1. Tables are based on critical rail span for load combinations as specified in chapter 2 of the ASCE 7-16 and allowable design loads per the 2015 Aluminum Design Manual.
2. Panels are assumed to be in portrait orientation with a maximum length of 67.5"

Max Rail Spans for SunModo SMR100 System

Table 35a		Mean Roof Height: $15 < h \leq 30$ ft							Panel Orientation: Portrait					
		Roof Angle: $27 < \theta \leq 45$ degrees							North/South Support $X_E = 1$					
		Exposure Category: C							Roof Type: Gable					
Roof Wind Zone	Ground Snow Load (psf)	Wind Speed (mph)												
		90	95	100	105	110	115	120	130	140	150	160	170	180
Zones 1, 2e, & 2r	0	101	101	101	98	96	93	91	84	76	68	61	56	51
	10	86	86	85	84	83	82	80	78	75	68	61	56	51
	20	75	74	73	72	71	70	70	68	66	64	61	56	51
	30	64	64	64	64	64	63	62	61	59	58	57	55	51
	40	57	57	57	57	57	57	57	56	55	54	52	51	50
	50	52	52	52	52	52	52	52	52	51	50	49	48	47
	60	48	48	48	48	48	48	48	48	48	47	46	45	45
	70	45	45	45	45	45	45	45	45	45	45	44	43	42
	80	42	42	42	42	42	42	42	42	42	42	42	42	41
90	40	40	40	40	40	40	40	40	40	40	40	40	40	39
Zones 2n & 3r	0	101	101	99	95	91	87	84	75	67	61	56	51	47
	10	86	86	85	84	83	82	80	75	67	61	56	51	47
	20	75	74	73	72	71	70	70	68	66	61	56	51	47
	30	64	64	64	64	64	63	62	61	59	58	56	51	47
	40	57	57	57	57	57	57	57	56	55	54	52	51	47
	50	52	52	52	52	52	52	52	52	51	50	49	48	47
	60	48	48	48	48	48	48	48	48	48	47	46	45	45
	70	45	45	45	45	45	45	45	45	45	45	44	43	42
	80	42	42	42	42	42	42	42	42	42	42	42	42	41
90	40	40	40	40	40	40	40	40	40	40	40	40	40	39
Zone 3e	0	99	94	90	86	83	77	72	64	58	52	48	44	41
	10	86	86	85	84	83	77	72	64	58	52	48	44	41
	20	75	74	73	72	71	70	70	64	58	52	48	44	41
	30	64	64	64	64	64	63	62	61	58	52	48	44	41
	40	57	57	57	57	57	57	57	56	55	52	48	44	41
	50	52	52	52	52	52	52	52	52	51	50	48	44	41
	60	48	48	48	48	48	48	48	48	48	47	46	44	41
	70	45	45	45	45	45	45	45	45	45	45	44	43	41
	80	42	42	42	42	42	42	42	42	42	42	42	42	41
90	40	40	40	40	40	40	40	40	40	40	40	40	40	39

Notes:

1. Tables are based on critical rail span for load combinations as specified in chapter 2 of the ASCE 7-16 and allowable design loads per the 2015 Aluminum Design Manual.
2. Panels are assumed to be in portrait orientation with a maximum length of 67.5"

Max Rail Spans for SunModo SMR100 System

Roof Wind Zone		Ground Snow Load (psf)	Wind Speed (mph)												
			90	95	100	105	110	115	120	130	140	150	160	170	180
Zones 1, 2e, & 2r		0	98	93	89	85	81	75	70	62	55	50	45	42	39
		10	86	86	85	84	81	75	70	62	55	50	45	42	39
		20	75	74	73	72	71	70	70	62	55	50	45	42	39
		30	64	64	64	64	64	63	62	61	55	50	45	42	39
		40	57	57	57	57	57	57	57	56	55	50	45	42	39
		50	52	52	52	52	52	52	52	52	51	50	45	42	39
		60	48	48	48	48	48	48	48	48	48	47	45	42	39
		70	45	45	45	45	45	45	45	45	45	45	44	42	39
		80	42	42	42	42	42	42	42	42	42	42	42	41	39
		90	40	40	40	40	40	40	40	40	40	40	40	40	39
Zones 2n & 3r		0	91	86	83	77	71	67	63	56	50	46	42	40	37
		10	86	86	83	77	71	67	63	56	50	46	42	40	37
		20	75	74	73	72	71	67	63	56	50	46	42	40	37
		30	64	64	64	64	64	63	62	56	50	46	42	40	37
		40	57	57	57	57	57	57	57	56	50	46	42	40	37
		50	52	52	52	52	52	52	52	52	50	46	42	40	37
		60	48	48	48	48	48	48	48	48	48	46	42	40	37
		70	45	45	45	45	45	45	45	45	45	45	42	40	37
		80	42	42	42	42	42	42	42	42	42	42	42	40	37
		90	40	40	40	40	40	40	40	40	40	40	40	40	37
Zone 3e		0	83	76	70	65	61	57	54	48	43	40	37	35	32
		10	83	76	70	65	61	57	54	48	43	40	37	35	32
		20	75	74	70	65	61	57	54	48	43	40	37	35	32
		30	64	64	64	64	61	57	54	48	43	40	37	35	32
		40	57	57	57	57	57	57	54	48	43	40	37	35	32
		50	52	52	52	52	52	52	52	48	43	40	37	35	32
		60	48	48	48	48	48	48	48	48	43	40	37	35	32
		70	45	45	45	45	45	45	45	45	43	40	37	35	32
		80	42	42	42	42	42	42	42	42	42	40	37	35	32
		90	40	40	40	40	40	40	40	40	40	40	37	35	32

Notes:

1. Tables are based on critical rail span for load combinations as specified in chapter 2 of the ASCE 7-16 and allowable design loads per the 2015 Aluminum Design Manual.
2. Panels are assumed to be in portrait orientation with a maximum length of 67.5"

Max Rail Spans for SunModo SMR100 System

Table 36a		Mean Roof Height: $15 < h \leq 30$ ft						Panel Orientation: Portrait						
		Roof Angle: $27 < \theta \leq 45$ degrees						North/South Support $X_E = 1$						
		Exposure Category: D						Roof Type: Gable						
Roof Wind Zone	Ground Snow Load (psf)	Wind Speed (mph)												
		90	95	100	105	110	115	120	130	140	150	160	170	180
Zones 1, 2e, & 2r	0	101	99	96	94	91	87	84	75	66	59	54	49	45
	10	86	85	83	82	80	79	77	75	66	59	54	49	45
	20	73	72	71	71	70	69	68	66	64	59	54	49	45
	30	64	64	64	63	62	62	61	59	58	56	54	49	45
	40	57	57	57	57	57	56	56	55	53	52	51	49	45
	50	52	52	52	52	52	52	52	51	50	49	48	46	45
	60	48	48	48	48	48	48	48	48	47	46	45	44	43
	70	45	45	45	45	45	45	45	45	44	44	43	42	41
	80	42	42	42	42	42	42	42	42	42	42	41	40	40
90	40	40	40	40	40	40	40	40	40	40	39	39	38	
Zones 2n & 3r	0	101	96	92	88	84	80	75	66	60	54	49	46	42
	10	86	85	83	82	80	79	75	66	60	54	49	46	42
	20	73	72	71	71	70	69	68	66	60	54	49	46	42
	30	64	64	64	63	62	62	61	59	58	54	49	46	42
	40	57	57	57	57	57	56	56	55	53	52	49	46	42
	50	52	52	52	52	52	52	52	51	50	49	48	46	42
	60	48	48	48	48	48	48	48	48	47	46	45	44	42
	70	45	45	45	45	45	45	45	45	44	44	43	42	41
	80	42	42	42	42	42	42	42	42	42	42	41	40	40
90	40	40	40	40	40	40	40	40	40	40	39	39	38	
Zone 3e	0	92	87	84	78	73	68	64	57	51	46	43	40	37
	10	86	85	83	78	73	68	64	57	51	46	43	40	37
	20	73	72	71	71	70	68	64	57	51	46	43	40	37
	30	64	64	64	63	62	62	61	57	51	46	43	40	37
	40	57	57	57	57	57	56	56	55	51	46	43	40	37
	50	52	52	52	52	52	52	52	51	50	46	43	40	37
	60	48	48	48	48	48	48	48	48	47	46	43	40	37
	70	45	45	45	45	45	45	45	45	44	44	43	40	37
	80	42	42	42	42	42	42	42	42	42	42	41	40	37
90	40	40	40	40	40	40	40	40	40	40	39	39	37	

Notes:

1. Tables are based on critical rail span for load combinations as specified in chapter 2 of the ASCE 7-16 and allowable design loads per the 2015 Aluminum Design Manual.
2. Panels are assumed to be in portrait orientation with a maximum length of 67.5"

Max Rail Spans for SunModo SMR100 System

Roof Wind Zone		Ground Snow Load (psf)	Wind Speed (mph)												
			90	95	100	105	110	115	120	130	140	150	160	170	180
Zones 1, 2e, & 2r		0	91	86	83	76	70	65	61	54	49	44	41	38	36
		10	86	85	83	76	70	65	61	54	49	44	41	38	36
		20	73	72	71	71	70	65	61	54	49	44	41	38	36
		30	64	64	64	63	62	62	61	54	49	44	41	38	36
		40	57	57	57	57	57	56	56	54	49	44	41	38	36
		50	52	52	52	52	52	52	52	51	49	44	41	38	36
		60	48	48	48	48	48	48	48	48	47	44	41	38	36
		70	45	45	45	45	45	45	45	45	44	44	41	38	36
		80	42	42	42	42	42	42	42	42	42	42	41	38	36
		90	40	40	40	40	40	40	40	40	40	40	39	38	36
Zones 2n & 3r		0	84	79	73	67	63	59	56	50	45	41	39	36	34
		10	84	79	73	67	63	59	56	50	45	41	39	36	34
		20	73	72	71	67	63	59	56	50	45	41	39	36	34
		30	64	64	64	63	62	59	56	50	45	41	39	36	34
		40	57	57	57	57	57	56	56	50	45	41	39	36	34
		50	52	52	52	52	52	52	52	50	45	41	39	36	34
		60	48	48	48	48	48	48	48	48	45	41	39	36	34
		70	45	45	45	45	45	45	45	45	44	41	39	36	34
		80	42	42	42	42	42	42	42	42	42	41	39	36	34
		90	40	40	40	40	40	40	40	40	40	40	39	36	34
Zone 3e		0	72	67	62	58	54	51	48	43	39	36	34	31	29
		10	72	67	62	58	54	51	48	43	39	36	34	31	29
		20	72	67	62	58	54	51	48	43	39	36	34	31	29
		30	64	64	62	58	54	51	48	43	39	36	34	31	29
		40	57	57	57	57	54	51	48	43	39	36	34	31	29
		50	52	52	52	52	52	51	48	43	39	36	34	31	29
		60	48	48	48	48	48	48	48	43	39	36	34	31	29
		70	45	45	45	45	45	45	45	43	39	36	34	31	29
		80	42	42	42	42	42	42	42	42	39	36	34	31	29
		90	40	40	40	40	40	40	40	40	39	36	34	31	29

Notes:

1. Tables are based on critical rail span for load combinations as specified in chapter 2 of the ASCE 7-16 and allowable design loads per the 2015 Aluminum Design Manual.
2. Panels are assumed to be in portrait orientation with a maximum length of 67.5"

Max Rail Spans for SunModo SMR100 System

Roof Wind Zone		Ground Snow Load (psf)	Wind Speed (mph)													
			90	95	100	105	110	115	120	130	140	150	160	170	180	
Zone 1		0	101	101	101	101	101	101	99	92	84	76	70	65	61	
		10	80	80	80	80	80	80	80	80	79	78	76	70	65	61
		20	62	62	62	62	62	62	62	62	62	62	62	61	60	59
		30	62	62	62	62	62	62	62	62	62	62	62	61	60	59
		40	55	55	55	55	55	55	55	55	55	55	55	55	55	54
		50	50	50	50	50	50	50	50	50	50	50	50	50	50	50
		60	46	46	46	46	46	46	46	46	46	46	46	46	46	46
		70	43	43	43	43	43	43	43	43	43	43	43	43	43	43
		80	40	40	40	40	40	40	40	40	40	40	40	40	40	40
		90	38	38	38	38	38	38	38	38	38	38	38	38	38	38
Zone 2r		0	101	101	101	101	98	94	91	82	73	67	61	56	52	
		10	80	80	80	80	80	80	80	80	79	73	67	61	56	52
		20	62	62	62	62	62	62	62	62	62	62	62	61	56	52
		30	62	62	62	62	62	62	62	62	62	62	62	61	56	52
		40	55	55	55	55	55	55	55	55	55	55	55	55	55	52
		50	50	50	50	50	50	50	50	50	50	50	50	50	50	50
		60	46	46	46	46	46	46	46	46	46	46	46	46	46	46
		70	43	43	43	43	43	43	43	43	43	43	43	43	43	43
		80	40	40	40	40	40	40	40	40	40	40	40	40	40	40
		90	38	38	38	38	38	38	38	38	38	38	38	38	38	38
Zones 2e & 3		0	101	101	101	99	95	91	87	77	69	63	58	53	49	
		10	80	80	80	80	80	80	80	80	77	69	63	58	53	49
		20	62	62	62	62	62	62	62	62	62	62	62	58	53	49
		30	62	62	62	62	62	62	62	62	62	62	62	58	53	49
		40	55	55	55	55	55	55	55	55	55	55	55	55	53	49
		50	50	50	50	50	50	50	50	50	50	50	50	50	50	49
		60	46	46	46	46	46	46	46	46	46	46	46	46	46	46
		70	43	43	43	43	43	43	43	43	43	43	43	43	43	43
		80	40	40	40	40	40	40	40	40	40	40	40	40	40	40
		90	38	38	38	38	38	38	38	38	38	38	38	38	38	38

Notes:

1. Tables are based on critical rail span for load combinations as specified in chapter 2 of the ASCE 7-16 and allowable design loads per the 2015 Aluminum Design Manual.
2. Panels are assumed to be in portrait orientation with a maximum length of 67.5"

Max Rail Spans for SunModo SMR100 System

Roof Wind Zone		Ground Snow Load (psf)	Wind Speed (mph)														
			90	95	100	105	110	115	120	130	140	150	160	170	180		
Zone 1		0	101	101	97	93	89	83	79	71	64	59	55	51	47		
		10	80	80	80	80	80	80	80	79	71	64	59	55	51	47	
		20	62	62	62	62	62	62	62	62	62	62	59	55	51	47	
		30	62	62	62	62	62	62	62	62	62	62	59	55	51	47	
		40	55	55	55	55	55	55	55	55	55	55	55	55	51	47	
		50	50	50	50	50	50	50	50	50	50	50	50	50	50	50	47
		60	46	46	46	46	46	46	46	46	46	46	46	46	46	46	46
		70	43	43	43	43	43	43	43	43	43	43	43	43	43	43	43
		80	40	40	40	40	40	40	40	40	40	40	40	40	40	40	40
		90	38	38	38	38	38	38	38	38	38	38	38	38	38	38	38
Zone 2r		0	98	93	89	83	78	73	68	61	55	50	46	43	40		
		10	80	80	80	80	78	73	68	61	55	50	46	43	40		
		20	62	62	62	62	62	62	62	61	55	50	46	43	40		
		30	62	62	62	62	62	62	62	61	55	50	46	43	40		
		40	55	55	55	55	55	55	55	55	55	50	46	43	40		
		50	50	50	50	50	50	50	50	50	50	50	46	43	40		
		60	46	46	46	46	46	46	46	46	46	46	46	46	43	40	
		70	43	43	43	43	43	43	43	43	43	43	43	43	43	40	
		80	40	40	40	40	40	40	40	40	40	40	40	40	40	40	
		90	38	38	38	38	38	38	38	38	38	38	38	38	38	38	
Zones 2e & 3		0	95	90	84	78	73	69	65	58	52	48	44	41	38		
		10	80	80	80	78	73	69	65	58	52	48	44	41	38		
		20	62	62	62	62	62	62	62	58	52	48	44	41	38		
		30	62	62	62	62	62	62	62	58	52	48	44	41	38		
		40	55	55	55	55	55	55	55	55	52	48	44	41	38		
		50	50	50	50	50	50	50	50	50	50	48	44	41	38		
		60	46	46	46	46	46	46	46	46	46	46	44	41	38		
		70	43	43	43	43	43	43	43	43	43	43	43	41	38		
		80	40	40	40	40	40	40	40	40	40	40	40	40	40	38	
		90	38	38	38	38	38	38	38	38	38	38	38	38	38	38	

Notes:

1. Tables are based on critical rail span for load combinations as specified in chapter 2 of the ASCE 7-16 and allowable design loads per the 2015 Aluminum Design Manual.
2. Panels are assumed to be in portrait orientation with a maximum length of 67.5"

Max Rail Spans for SunModo SMR100 System

Roof Wind Zone		Ground Snow Load (psf)	Wind Speed (mph)													
			90	95	100	105	110	115	120	130	140	150	160	170	180	
Zone 1		0	101	101	101	96	92	88	82	74	67	62	57	53	49	
		10	80	80	80	80	79	79	78	74	67	62	57	53	49	
		20	62	62	62	62	62	62	62	62	61	60	57	53	49	
		30	62	62	62	62	62	62	62	62	61	60	57	53	49	
		40	55	55	55	55	55	55	55	55	55	54	53	53	49	
		50	50	50	50	50	50	50	50	50	50	50	50	50	49	48
		60	46	46	46	46	46	46	46	46	46	46	46	46	46	45
		70	43	43	43	43	43	43	43	43	43	43	43	43	43	43
		80	40	40	40	40	40	40	40	40	40	40	40	40	40	40
		90	38	38	38	38	38	38	38	38	38	38	38	38	38	38
Zone 2r		0	101	96	92	88	82	77	72	64	58	53	48	45	42	
		10	80	80	80	80	79	77	72	64	58	53	48	45	42	
		20	62	62	62	62	62	62	62	62	58	53	48	45	42	
		30	62	62	62	62	62	62	62	62	58	53	48	45	42	
		40	55	55	55	55	55	55	55	55	55	53	48	45	42	
		50	50	50	50	50	50	50	50	50	50	50	48	45	42	
		60	46	46	46	46	46	46	46	46	46	46	46	46	45	42
		70	43	43	43	43	43	43	43	43	43	43	43	43	43	42
		80	40	40	40	40	40	40	40	40	40	40	40	40	40	40
		90	38	38	38	38	38	38	38	38	38	38	38	38	38	38
Zones 2e & 3		0	98	93	89	83	77	72	68	61	55	50	46	42	40	
		10	80	80	80	80	77	72	68	61	55	50	46	42	40	
		20	62	62	62	62	62	62	62	61	55	50	46	42	40	
		30	62	62	62	62	62	62	62	61	55	50	46	42	40	
		40	55	55	55	55	55	55	55	55	55	50	46	42	40	
		50	50	50	50	50	50	50	50	50	50	50	46	42	40	
		60	46	46	46	46	46	46	46	46	46	46	46	46	42	40
		70	43	43	43	43	43	43	43	43	43	43	43	43	42	40
		80	40	40	40	40	40	40	40	40	40	40	40	40	40	40
		90	38	38	38	38	38	38	38	38	38	38	38	38	38	38

Notes:

1. Tables are based on critical rail span for load combinations as specified in chapter 2 of the ASCE 7-16 and allowable design loads per the 2015 Aluminum Design Manual.
2. Panels are assumed to be in portrait orientation with a maximum length of 67.5"

Max Rail Spans for SunModo SMR100 System

Roof Wind Zone		Ground Snow Load (psf)	Wind Speed (mph)												
			90	95	100	105	110	115	120	130	140	150	160	170	180
Zone 1		0	92	86	80	75	71	67	63	57	52	48	45	42	39
		10	80	80	80	75	71	67	63	57	52	48	45	42	39
		20	62	62	62	62	62	62	62	57	52	48	45	42	39
		30	62	62	62	62	62	62	62	57	52	48	45	42	39
		40	55	55	55	55	55	55	55	55	52	48	45	42	39
		50	50	50	50	50	50	50	50	50	50	48	45	42	39
		60	46	46	46	46	46	46	46	46	46	46	45	42	39
		70	43	43	43	43	43	43	43	43	43	43	43	42	39
		80	40	40	40	40	40	40	40	40	40	40	40	40	39
		90	38	38	38	38	38	38	38	38	38	38	38	38	38
Zone 2r		0	82	75	70	65	61	57	54	49	44	41	38	36	34
		10	80	75	70	65	61	57	54	49	44	41	38	36	34
		20	62	62	62	62	61	57	54	49	44	41	38	36	34
		30	62	62	62	62	61	57	54	49	44	41	38	36	34
		40	55	55	55	55	55	55	54	49	44	41	38	36	34
		50	50	50	50	50	50	50	50	49	44	41	38	36	34
		60	46	46	46	46	46	46	46	46	44	41	38	36	34
		70	43	43	43	43	43	43	43	43	43	41	38	36	34
		80	40	40	40	40	40	40	40	40	40	40	38	36	34
		90	38	38	38	38	38	38	38	38	38	38	38	36	34
Zones 2e & 3		0	77	71	66	62	58	54	51	46	42	39	37	34	32
		10	77	71	66	62	58	54	51	46	42	39	37	34	32
		20	62	62	62	62	58	54	51	46	42	39	37	34	32
		30	62	62	62	62	58	54	51	46	42	39	37	34	32
		40	55	55	55	55	55	54	51	46	42	39	37	34	32
		50	50	50	50	50	50	50	50	46	42	39	37	34	32
		60	46	46	46	46	46	46	46	46	42	39	37	34	32
		70	43	43	43	43	43	43	43	43	42	39	37	34	32
		80	40	40	40	40	40	40	40	40	40	39	37	34	32
		90	38	38	38	38	38	38	38	38	38	38	37	34	32

Notes:

1. Tables are based on critical rail span for load combinations as specified in chapter 2 of the ASCE 7-16 and allowable design loads per the 2015 Aluminum Design Manual.
2. Panels are assumed to be in portrait orientation with a maximum length of 67.5"

Max Rail Spans for SunModo SMR100 System

Roof Wind Zone		Ground Snow Load (psf)	Wind Speed (mph)													
			90	95	100	105	110	115	120	130	140	150	160	170	180	
Zone 1		0	101	97	93	88	83	78	74	66	60	56	51	48	45	
		10	80	80	80	79	78	77	74	66	60	56	51	48	45	
		20	62	62	62	62	62	62	62	61	59	56	51	48	45	
		30	62	62	62	62	62	62	62	61	59	56	51	48	45	
		40	55	55	55	55	55	55	55	55	54	53	51	48	45	
		50	50	50	50	50	50	50	50	50	50	49	48	48	45	
		60	46	46	46	46	46	46	46	46	46	46	46	45	45	44
		70	43	43	43	43	43	43	43	43	43	43	43	43	42	42
		80	40	40	40	40	40	40	40	40	40	40	40	40	40	40
		90	38	38	38	38	38	38	38	38	38	38	38	38	38	38
Zone 2r		0	94	89	83	77	72	68	64	57	52	47	43	40	38	
		10	80	80	80	77	72	68	64	57	52	47	43	40	38	
		20	62	62	62	62	62	62	62	57	52	47	43	40	38	
		30	62	62	62	62	62	62	62	57	52	47	43	40	38	
		40	55	55	55	55	55	55	55	55	52	47	43	40	38	
		50	50	50	50	50	50	50	50	50	50	47	43	40	38	
		60	46	46	46	46	46	46	46	46	46	46	46	43	40	38
		70	43	43	43	43	43	43	43	43	43	43	43	43	40	38
		80	40	40	40	40	40	40	40	40	40	40	40	40	40	38
		90	38	38	38	38	38	38	38	38	38	38	38	38	38	38
Zones 2e & 3		0	90	85	78	73	68	64	60	54	49	45	41	39	37	
		10	80	80	78	73	68	64	60	54	49	45	41	39	37	
		20	62	62	62	62	62	62	60	54	49	45	41	39	37	
		30	62	62	62	62	62	62	60	54	49	45	41	39	37	
		40	55	55	55	55	55	55	55	54	49	45	41	39	37	
		50	50	50	50	50	50	50	50	50	49	45	41	39	37	
		60	46	46	46	46	46	46	46	46	46	45	41	39	37	
		70	43	43	43	43	43	43	43	43	43	43	41	39	37	
		80	40	40	40	40	40	40	40	40	40	40	40	39	37	
		90	38	38	38	38	38	38	38	38	38	38	38	38	37	

Notes:

1. Tables are based on critical rail span for load combinations as specified in chapter 2 of the ASCE 7-16 and allowable design loads per the 2015 Aluminum Design Manual.
2. Panels are assumed to be in portrait orientation with a maximum length of 67.5"

Max Rail Spans for SunModo SMR100 System

Roof Wind Zone		Ground Snow Load (psf)	Wind Speed (mph)												
			90	95	100	105	110	115	120	130	140	150	160	170	180
Zone 1		0	82	77	72	67	63	60	57	52	47	44	41	38	36
		10	80	77	72	67	63	60	57	52	47	44	41	38	36
		20	62	62	62	62	62	60	57	52	47	44	41	38	36
		30	62	62	62	62	62	60	57	52	47	44	41	38	36
		40	55	55	55	55	55	55	55	52	47	44	41	38	36
		50	50	50	50	50	50	50	50	50	47	44	41	38	36
		60	46	46	46	46	46	46	46	46	46	44	41	38	36
		70	43	43	43	43	43	43	43	43	43	43	41	38	36
		80	40	40	40	40	40	40	40	40	40	40	40	38	36
		90	38	38	38	38	38	38	38	38	38	38	38	38	36
Zone 2r		0	72	67	62	58	54	51	48	44	40	37	35	33	31
		10	72	67	62	58	54	51	48	44	40	37	35	33	31
		20	62	62	62	58	54	51	48	44	40	37	35	33	31
		30	62	62	62	58	54	51	48	44	40	37	35	33	31
		40	55	55	55	55	54	51	48	44	40	37	35	33	31
		50	50	50	50	50	50	50	48	44	40	37	35	33	31
		60	46	46	46	46	46	46	46	44	40	37	35	33	31
		70	43	43	43	43	43	43	43	43	40	37	35	33	31
		80	40	40	40	40	40	40	40	40	40	37	35	33	31
		90	38	38	38	38	38	38	38	38	38	37	35	33	31
Zones 2e & 3		0	68	63	59	55	52	49	46	42	38	36	33	31	30
		10	68	63	59	55	52	49	46	42	38	36	33	31	30
		20	62	62	59	55	52	49	46	42	38	36	33	31	30
		30	62	62	59	55	52	49	46	42	38	36	33	31	30
		40	55	55	55	55	52	49	46	42	38	36	33	31	30
		50	50	50	50	50	50	49	46	42	38	36	33	31	30
		60	46	46	46	46	46	46	46	42	38	36	33	31	30
		70	43	43	43	43	43	43	43	42	38	36	33	31	30
		80	40	40	40	40	40	40	40	40	38	36	33	31	30
		90	38	38	38	38	38	38	38	38	38	36	33	31	30

Notes:

1. Tables are based on critical rail span for load combinations as specified in chapter 2 of the ASCE 7-16 and allowable design loads per the 2015 Aluminum Design Manual.
2. Panels are assumed to be in portrait orientation with a maximum length of 67.5"

Max Rail Spans for SunModo SMR100 System

Table 40a		Mean Roof Height: $15 < h \leq 30$ ft							Panel Orientation: Portrait							
		Roof Angle: $7 < \theta \leq 20$ degrees							North/South Support $X_E = 1$							
		Exposure Category: B							Roof Type: Hip $h/B = \leq 0.5$							
Roof Wind Zone	Ground Snow Load (psf)	Wind Speed (mph)														
		90	95	100	105	110	115	120	130	140	150	160	170	180		
Zone 1	0	101	101	101	101	101	101	101	101	99	93	87	80	75		
	10	80	80	80	80	80	80	80	79	78	76	75	73	71	70	
	20	62	62	62	62	62	62	62	62	62	62	62	61	60	59	
	30	62	62	62	62	62	62	62	62	62	62	62	61	60	59	
	40	55	55	55	55	55	55	55	55	55	55	55	55	55	54	
	50	50	50	50	50	50	50	50	50	50	50	50	50	50	50	50
	60	46	46	46	46	46	46	46	46	46	46	46	46	46	46	46
	70	43	43	43	43	43	43	43	43	43	43	43	43	43	43	43
	80	40	40	40	40	40	40	40	40	40	40	40	40	40	40	40
90	38	38	38	38	38	38	38	38	38	38	38	38	38	38	38	
Zone 2r	0	101	101	101	101	98	94	91	82	73	67	61	56	52		
	10	80	80	80	80	80	80	80	79	78	73	67	61	56	52	
	20	62	62	62	62	62	62	62	62	62	62	62	61	56	52	
	30	62	62	62	62	62	62	62	62	62	62	62	61	56	52	
	40	55	55	55	55	55	55	55	55	55	55	55	55	55	52	
	50	50	50	50	50	50	50	50	50	50	50	50	50	50	50	50
	60	46	46	46	46	46	46	46	46	46	46	46	46	46	46	46
	70	43	43	43	43	43	43	43	43	43	43	43	43	43	43	43
	80	40	40	40	40	40	40	40	40	40	40	40	40	40	40	40
90	38	38	38	38	38	38	38	38	38	38	38	38	38	38	38	
Zones 2e & 3	0	101	101	101	101	101	101	101	95	89	81	74	68	63		
	10	80	80	80	80	80	80	80	79	78	76	75	73	68	63	
	20	62	62	62	62	62	62	62	62	62	62	62	61	60	59	
	30	62	62	62	62	62	62	62	62	62	62	62	61	60	59	
	40	55	55	55	55	55	55	55	55	55	55	55	55	55	54	
	50	50	50	50	50	50	50	50	50	50	50	50	50	50	50	50
	60	46	46	46	46	46	46	46	46	46	46	46	46	46	46	46
	70	43	43	43	43	43	43	43	43	43	43	43	43	43	43	43
	80	40	40	40	40	40	40	40	40	40	40	40	40	40	40	40
90	38	38	38	38	38	38	38	38	38	38	38	38	38	38	38	

Notes:

1. Tables are based on critical rail span for load combinations as specified in chapter 2 of the ASCE 7-16 and allowable design loads per the 2015 Aluminum Design Manual.
2. Panels are assumed to be in portrait orientation with a maximum length of 67.5"

Max Rail Spans for SunModo SMR100 System

Roof Wind Zone		Ground Snow Load (psf)	Wind Speed (mph)													
			90	95	100	105	110	115	120	130	140	150	160	170	180	
Zone 1		0	101	101	101	101	101	99	95	88	79	73	67	62	58	
		10	80	80	80	80	80	80	80	79	78	76	73	67	62	58
		20	62	62	62	62	62	62	62	62	62	62	62	61	60	58
		30	62	62	62	62	62	62	62	62	62	62	62	61	60	58
		40	55	55	55	55	55	55	55	55	55	55	55	55	55	54
		50	50	50	50	50	50	50	50	50	50	50	50	50	50	50
		60	46	46	46	46	46	46	46	46	46	46	46	46	46	46
		70	43	43	43	43	43	43	43	43	43	43	43	43	43	43
		80	40	40	40	40	40	40	40	40	40	40	40	40	40	40
		90	38	38	38	38	38	38	38	38	38	38	38	38	38	38
Zone 2r		0	98	93	89	83	78	73	68	61	55	50	46	43	40	
		10	80	80	80	80	78	73	68	61	55	50	46	43	40	
		20	62	62	62	62	62	62	62	61	55	50	46	43	40	
		30	62	62	62	62	62	62	62	61	55	50	46	43	40	
		40	55	55	55	55	55	55	55	55	55	50	46	43	40	
		50	50	50	50	50	50	50	50	50	50	50	46	43	40	
		60	46	46	46	46	46	46	46	46	46	46	46	46	43	40
		70	43	43	43	43	43	43	43	43	43	43	43	43	43	40
		80	40	40	40	40	40	40	40	40	40	40	40	40	40	40
		90	38	38	38	38	38	38	38	38	38	38	38	38	38	38
Zones 2e & 3		0	101	101	101	96	92	89	84	74	67	61	56	51	48	
		10	80	80	80	80	80	80	79	74	67	61	56	51	48	
		20	62	62	62	62	62	62	62	62	62	61	56	51	48	
		30	62	62	62	62	62	62	62	62	62	61	56	51	48	
		40	55	55	55	55	55	55	55	55	55	55	55	51	48	
		50	50	50	50	50	50	50	50	50	50	50	50	50	48	
		60	46	46	46	46	46	46	46	46	46	46	46	46	46	
		70	43	43	43	43	43	43	43	43	43	43	43	43	43	
		80	40	40	40	40	40	40	40	40	40	40	40	40	40	
		90	38	38	38	38	38	38	38	38	38	38	38	38	38	

Notes:

1. Tables are based on critical rail span for load combinations as specified in chapter 2 of the ASCE 7-16 and allowable design loads per the 2015 Aluminum Design Manual.
2. Panels are assumed to be in portrait orientation with a maximum length of 67.5"

Max Rail Spans for SunModo SMR100 System

Roof Wind Zone		Ground Snow Load (psf)	Wind Speed (mph)													
			90	95	100	105	110	115	120	130	140	150	160	170	180	
Zone 1		0	101	101	101	101	101	101	98	91	83	76	70	65	60	
		10	80	80	80	79	78	77	76	74	72	70	68	65	60	
		20	62	62	62	62	62	62	62	61	60	59	58	57	55	
		30	62	62	62	62	62	62	62	61	60	59	58	57	55	
		40	55	55	55	55	55	55	55	55	55	54	53	52	51	
		50	50	50	50	50	50	50	50	50	50	50	50	49	49	48
		60	46	46	46	46	46	46	46	46	46	46	46	46	46	45
		70	43	43	43	43	43	43	43	43	43	43	43	43	43	43
		80	40	40	40	40	40	40	40	40	40	40	40	40	40	40
		90	38	38	38	38	38	38	38	38	38	38	38	38	38	38
Zone 2r		0	101	96	92	88	82	77	72	64	58	53	48	45	42	
		10	80	80	80	79	78	77	72	64	58	53	48	45	42	
		20	62	62	62	62	62	62	62	61	58	53	48	45	42	
		30	62	62	62	62	62	62	62	61	58	53	48	45	42	
		40	55	55	55	55	55	55	55	55	55	53	48	45	42	
		50	50	50	50	50	50	50	50	50	50	50	48	45	42	
		60	46	46	46	46	46	46	46	46	46	46	46	46	45	42
		70	43	43	43	43	43	43	43	43	43	43	43	43	43	42
		80	40	40	40	40	40	40	40	40	40	40	40	40	40	40
		90	38	38	38	38	38	38	38	38	38	38	38	38	38	38
Zones 2e & 3		0	101	101	101	99	95	91	88	78	70	64	58	54	50	
		10	80	80	80	79	78	77	76	74	70	64	58	54	50	
		20	62	62	62	62	62	62	62	61	60	59	58	54	50	
		30	62	62	62	62	62	62	62	61	60	59	58	54	50	
		40	55	55	55	55	55	55	55	55	55	54	53	52	50	
		50	50	50	50	50	50	50	50	50	50	50	49	49	48	
		60	46	46	46	46	46	46	46	46	46	46	46	46	46	45
		70	43	43	43	43	43	43	43	43	43	43	43	43	43	43
		80	40	40	40	40	40	40	40	40	40	40	40	40	40	40
		90	38	38	38	38	38	38	38	38	38	38	38	38	38	38

Notes:

1. Tables are based on critical rail span for load combinations as specified in chapter 2 of the ASCE 7-16 and allowable design loads per the 2015 Aluminum Design Manual.
2. Panels are assumed to be in portrait orientation with a maximum length of 67.5"

Max Rail Spans for SunModo SMR100 System

Roof Wind Zone		Ground Snow Load (psf)	Wind Speed (mph)													
			90	95	100	105	110	115	120	130	140	150	160	170	180	
Zone 1		0	101	101	96	92	88	83	78	70	64	59	54	50	47	
		10	80	80	80	79	78	77	76	70	64	59	54	50	47	
		20	62	62	62	62	62	62	62	61	60	59	54	50	47	
		30	62	62	62	62	62	62	62	61	60	59	54	50	47	
		40	55	55	55	55	55	55	55	55	55	54	53	50	47	
		50	50	50	50	50	50	50	50	50	50	50	50	49	49	47
		60	46	46	46	46	46	46	46	46	46	46	46	46	46	45
		70	43	43	43	43	43	43	43	43	43	43	43	43	43	43
		80	40	40	40	40	40	40	40	40	40	40	40	40	40	40
		90	38	38	38	38	38	38	38	38	38	38	38	38	38	38
Zone 2r		0	82	75	70	65	61	57	54	49	44	41	38	36	34	
		10	80	75	70	65	61	57	54	49	44	41	38	36	34	
		20	62	62	62	62	61	57	54	49	44	41	38	36	34	
		30	62	62	62	62	61	57	54	49	44	41	38	36	34	
		40	55	55	55	55	55	55	54	49	44	41	38	36	34	
		50	50	50	50	50	50	50	50	49	44	41	38	36	34	
		60	46	46	46	46	46	46	46	46	44	41	38	36	34	
		70	43	43	43	43	43	43	43	43	43	41	38	36	34	
		80	40	40	40	40	40	40	40	40	40	40	38	36	34	
		90	38	38	38	38	38	38	38	38	38	38	38	38	36	34
Zones 2e & 3		0	95	91	85	79	74	70	66	59	53	49	45	42	39	
		10	80	80	80	79	74	70	66	59	53	49	45	42	39	
		20	62	62	62	62	62	62	62	59	53	49	45	42	39	
		30	62	62	62	62	62	62	62	59	53	49	45	42	39	
		40	55	55	55	55	55	55	55	55	53	49	45	42	39	
		50	50	50	50	50	50	50	50	50	50	49	45	42	39	
		60	46	46	46	46	46	46	46	46	46	46	45	42	39	
		70	43	43	43	43	43	43	43	43	43	43	43	42	39	
		80	40	40	40	40	40	40	40	40	40	40	40	40	39	
		90	38	38	38	38	38	38	38	38	38	38	38	38	38	38

Notes:

1. Tables are based on critical rail span for load combinations as specified in chapter 2 of the ASCE 7-16 and allowable design loads per the 2015 Aluminum Design Manual.
2. Panels are assumed to be in portrait orientation with a maximum length of 67.5"

Max Rail Spans for SunModo SMR100 System

Roof Wind Zone		Ground Snow Load (psf)	Wind Speed (mph)														
			90	95	100	105	110	115	120	130	140	150	160	170	180		
Zone 1		0	101	101	101	101	98	94	91	82	74	68	63	58	54		
		10	80	79	78	77	76	75	74	72	70	68	63	58	54		
		20	62	62	62	62	62	62	62	61	60	59	57	56	55	53	
		30	62	62	62	62	62	62	62	61	60	59	57	56	55	53	
		40	55	55	55	55	55	55	55	55	55	54	53	52	51	50	
		50	50	50	50	50	50	50	50	50	50	50	49	48	47	46	
		60	46	46	46	46	46	46	46	46	46	46	46	45	45	44	
		70	43	43	43	43	43	43	43	43	43	43	43	43	43	42	42
		80	40	40	40	40	40	40	40	40	40	40	40	40	40	40	40
		90	38	38	38	38	38	38	38	38	38	38	38	38	38	38	38
Zone 2r		0	94	89	83	77	72	68	64	57	52	47	43	40	38		
		10	80	79	78	77	72	68	64	57	52	47	43	40	38		
		20	62	62	62	62	62	62	62	61	57	52	47	43	40	38	
		30	62	62	62	62	62	62	62	61	57	52	47	43	40	38	
		40	55	55	55	55	55	55	55	55	55	52	47	43	40	38	
		50	50	50	50	50	50	50	50	50	50	50	47	43	40	38	
		60	46	46	46	46	46	46	46	46	46	46	46	43	40	38	
		70	43	43	43	43	43	43	43	43	43	43	43	43	43	40	38
		80	40	40	40	40	40	40	40	40	40	40	40	40	40	40	38
		90	38	38	38	38	38	38	38	38	38	38	38	38	38	38	38
Zones 2e & 3		0	101	101	96	92	88	83	78	69	62	57	52	48	45		
		10	80	79	78	77	76	75	74	69	62	57	52	48	45		
		20	62	62	62	62	62	62	62	61	60	59	57	52	48	45	
		30	62	62	62	62	62	62	62	61	60	59	57	52	48	45	
		40	55	55	55	55	55	55	55	55	55	54	53	52	48	45	
		50	50	50	50	50	50	50	50	50	50	50	49	48	47	45	
		60	46	46	46	46	46	46	46	46	46	46	46	45	45	44	
		70	43	43	43	43	43	43	43	43	43	43	43	43	43	42	42
		80	40	40	40	40	40	40	40	40	40	40	40	40	40	40	40
		90	38	38	38	38	38	38	38	38	38	38	38	38	38	38	38

Notes:

1. Tables are based on critical rail span for load combinations as specified in chapter 2 of the ASCE 7-16 and allowable design loads per the 2015 Aluminum Design Manual.
2. Panels are assumed to be in portrait orientation with a maximum length of 67.5"

Max Rail Spans for SunModo SMR100 System

Roof Wind Zone		Ground Snow Load (psf)	Wind Speed (mph)												
			90	95	100	105	110	115	120	130	140	150	160	170	180
Zone 1		0	98	93	89	83	78	74	70	63	58	53	49	46	43
		10	80	79	78	77	76	74	70	63	58	53	49	46	43
		20	62	62	62	62	62	62	61	60	58	53	49	46	43
		30	62	62	62	62	62	62	61	60	58	53	49	46	43
		40	55	55	55	55	55	55	55	55	54	53	49	46	43
		50	50	50	50	50	50	50	50	50	50	49	48	46	43
		60	46	46	46	46	46	46	46	46	46	46	45	45	43
		70	43	43	43	43	43	43	43	43	43	43	43	42	42
		80	40	40	40	40	40	40	40	40	40	40	40	40	40
		90	38	38	38	38	38	38	38	38	38	38	38	38	38
Zone 2r		0	72	67	62	58	54	51	48	44	40	37	35	33	31
		10	72	67	62	58	54	51	48	44	40	37	35	33	31
		20	62	62	62	58	54	51	48	44	40	37	35	33	31
		30	62	62	62	58	54	51	48	44	40	37	35	33	31
		40	55	55	55	55	54	51	48	44	40	37	35	33	31
		50	50	50	50	50	50	50	48	44	40	37	35	33	31
		60	46	46	46	46	46	46	46	44	40	37	35	33	31
		70	43	43	43	43	43	43	43	43	40	37	35	33	31
		80	40	40	40	40	40	40	40	40	40	37	35	33	31
		90	38	38	38	38	38	38	38	38	38	37	35	33	31
Zones 2e & 3		0	88	81	75	70	66	62	58	53	48	44	41	38	36
		10	80	79	75	70	66	62	58	53	48	44	41	38	36
		20	62	62	62	62	62	62	58	53	48	44	41	38	36
		30	62	62	62	62	62	62	58	53	48	44	41	38	36
		40	55	55	55	55	55	55	55	53	48	44	41	38	36
		50	50	50	50	50	50	50	50	50	48	44	41	38	36
		60	46	46	46	46	46	46	46	46	46	44	41	38	36
		70	43	43	43	43	43	43	43	43	43	43	41	38	36
		80	40	40	40	40	40	40	40	40	40	40	40	38	36
		90	38	38	38	38	38	38	38	38	38	38	38	38	36

Notes:

1. Tables are based on critical rail span for load combinations as specified in chapter 2 of the ASCE 7-16 and allowable design loads per the 2015 Aluminum Design Manual.
2. Panels are assumed to be in portrait orientation with a maximum length of 67.5"

Max Rail Spans for SunModo SMR100 System

Roof Wind Zone		Ground Snow Load (psf)	Wind Speed (mph)														
			90	95	100	105	110	115	120	130	140	150	160	170	180		
Zone 1		0	101	101	101	101	101	101	101	101	101	96	90	85	78		
		10	86	86	86	86	86	86	86	86	86	85	83	81	79	77	
		20	73	73	73	73	73	73	73	73	73	72	70	69	68	66	
		30	62	62	62	62	62	62	62	62	62	62	62	61	60	59	
		40	55	55	55	55	55	55	55	55	55	55	55	55	55	54	
		50	50	50	50	50	50	50	50	50	50	50	50	50	50	50	50
		60	46	46	46	46	46	46	46	46	46	46	46	46	46	46	46
		70	43	43	43	43	43	43	43	43	43	43	43	43	43	43	43
		80	40	40	40	40	40	40	40	40	40	40	40	40	40	40	40
		90	38	38	38	38	38	38	38	38	38	38	38	38	38	38	38
Zones 2e, 2r, & 3		0	101	101	101	101	101	101	99	92	86	78	71	64	59		
		10	86	86	86	86	86	86	86	86	86	85	78	71	64	59	
		20	73	73	73	73	73	73	73	73	73	72	70	69	64	59	
		30	62	62	62	62	62	62	62	62	62	62	62	61	60	59	
		40	55	55	55	55	55	55	55	55	55	55	55	55	55	54	
		50	50	50	50	50	50	50	50	50	50	50	50	50	50	50	50
		60	46	46	46	46	46	46	46	46	46	46	46	46	46	46	46
		70	43	43	43	43	43	43	43	43	43	43	43	43	43	43	43
		80	40	40	40	40	40	40	40	40	40	40	40	40	40	40	40
		90	38	38	38	38	38	38	38	38	38	38	38	38	38	38	38

Notes:

1. Tables are based on critical rail span for load combinations as specified in chapter 2 of the ASCE 7-16 and allowable design loads per the 2015 Aluminum Design Manual.
2. Panels are assumed to be in portrait orientation with a maximum length of 67.5"

Max Rail Spans for SunModo SMR100 System

Roof Wind Zone		Ground Snow Load (psf)	Wind Speed (mph)													
			90	95	100	105	110	115	120	130	140	150	160	170	180	
Zone 1		0	101	101	101	101	101	101	98	91	85	76	69	63	58	
		10	86	86	86	86	86	86	86	86	85	76	69	63	58	
		20	73	73	73	73	73	73	73	73	72	70	69	63	58	
		30	62	62	62	62	62	62	62	62	62	62	61	60	58	
		40	55	55	55	55	55	55	55	55	55	55	55	55	54	
		50	50	50	50	50	50	50	50	50	50	50	50	50	50	50
		60	46	46	46	46	46	46	46	46	46	46	46	46	46	46
		70	43	43	43	43	43	43	43	43	43	43	43	43	43	43
		80	40	40	40	40	40	40	40	40	40	40	40	40	40	40
		90	38	38	38	38	38	38	38	38	38	38	38	38	38	38
Zones 2e, 2r, & 3		0	101	101	97	93	89	86	80	71	64	58	53	49	45	
		10	86	86	86	86	86	86	86	80	71	64	58	53	49	45
		20	73	73	73	73	73	73	73	73	71	64	58	53	49	45
		30	62	62	62	62	62	62	62	62	62	62	58	53	49	45
		40	55	55	55	55	55	55	55	55	55	55	55	53	49	45
		50	50	50	50	50	50	50	50	50	50	50	50	50	49	45
		60	46	46	46	46	46	46	46	46	46	46	46	46	46	45
		70	43	43	43	43	43	43	43	43	43	43	43	43	43	43
		80	40	40	40	40	40	40	40	40	40	40	40	40	40	40
		90	38	38	38	38	38	38	38	38	38	38	38	38	38	38

Notes:

1. Tables are based on critical rail span for load combinations as specified in chapter 2 of the ASCE 7-16 and allowable design loads per the 2015 Aluminum Design Manual.
2. Panels are assumed to be in portrait orientation with a maximum length of 67.5"

Max Rail Spans for SunModo SMR100 System

Roof Wind Zone		Ground Snow Load (psf)	Wind Speed (mph)													
			90	95	100	105	110	115	120	130	140	150	160	170	180	
Zone 1		0	101	101	101	101	101	101	101	94	87	80	72	66	61	
		10	86	86	86	86	86	86	86	85	82	80	78	72	66	61
		20	73	73	73	73	73	73	72	71	70	68	67	65	64	61
		30	62	62	62	62	62	62	62	62	62	61	60	58	57	56
		40	55	55	55	55	55	55	55	55	55	55	54	53	52	51
		50	50	50	50	50	50	50	50	50	50	50	50	49	49	48
		60	46	46	46	46	46	46	46	46	46	46	46	46	46	45
		70	43	43	43	43	43	43	43	43	43	43	43	43	43	43
		80	40	40	40	40	40	40	40	40	40	40	40	40	40	40
		90	38	38	38	38	38	38	38	38	38	38	38	38	38	38
Zones 2e, 2r, & 3		0	101	101	100	96	92	88	85	75	67	61	55	51	47	
		10	86	86	86	86	86	86	86	85	75	67	61	55	51	47
		20	73	73	73	73	73	73	72	71	70	67	61	55	51	47
		30	62	62	62	62	62	62	62	62	62	61	60	55	51	47
		40	55	55	55	55	55	55	55	55	55	55	54	53	51	47
		50	50	50	50	50	50	50	50	50	50	50	50	49	49	47
		60	46	46	46	46	46	46	46	46	46	46	46	46	46	45
		70	43	43	43	43	43	43	43	43	43	43	43	43	43	43
		80	40	40	40	40	40	40	40	40	40	40	40	40	40	40
		90	38	38	38	38	38	38	38	38	38	38	38	38	38	38

Notes:

1. Tables are based on critical rail span for load combinations as specified in chapter 2 of the ASCE 7-16 and allowable design loads per the 2015 Aluminum Design Manual.
2. Panels are assumed to be in portrait orientation with a maximum length of 67.5"

Max Rail Spans for SunModo SMR100 System

Roof Wind Zone		Ground Snow Load (psf)	Wind Speed (mph)												
			90	95	100	105	110	115	120	130	140	150	160	170	180
Zone 1		0	101	101	99	95	91	87	83	73	65	59	54	49	46
		10	86	86	86	86	86	86	83	73	65	59	54	49	46
		20	73	73	73	73	73	72	71	70	65	59	54	49	46
		30	62	62	62	62	62	62	62	62	61	59	54	49	46
		40	55	55	55	55	55	55	55	55	55	54	53	49	46
		50	50	50	50	50	50	50	50	50	50	50	49	49	46
		60	46	46	46	46	46	46	46	46	46	46	46	46	45
		70	43	43	43	43	43	43	43	43	43	43	43	43	43
		80	40	40	40	40	40	40	40	40	40	40	40	40	40
		90	38	38	38	38	38	38	38	38	38	38	38	38	38
Zones 2e, 2r, & 3		0	92	87	82	76	71	66	62	56	50	46	42	39	37
		10	86	86	82	76	71	66	62	56	50	46	42	39	37
		20	73	73	73	73	71	66	62	56	50	46	42	39	37
		30	62	62	62	62	62	62	62	56	50	46	42	39	37
		40	55	55	55	55	55	55	55	55	50	46	42	39	37
		50	50	50	50	50	50	50	50	50	50	46	42	39	37
		60	46	46	46	46	46	46	46	46	46	46	42	39	37
		70	43	43	43	43	43	43	43	43	43	43	42	39	37
		80	40	40	40	40	40	40	40	40	40	40	40	39	37
		90	38	38	38	38	38	38	38	38	38	38	38	38	37

Notes:

1. Tables are based on critical rail span for load combinations as specified in chapter 2 of the ASCE 7-16 and allowable design loads per the 2015 Aluminum Design Manual.
2. Panels are assumed to be in portrait orientation with a maximum length of 67.5"

Max Rail Spans for SunModo SMR100 System

Table 45a		Mean Roof Height: $15 < h \leq 30$ ft											Panel Orientation: Portrait		
		Roof Angle: $20 < \theta \leq 27$ degrees											North/South Support $X_E = 1$		
		Exposure Category: D											Roof Type: Hip		
Roof Wind Zone	Ground Snow Load (psf)	Wind Speed (mph)													
		90	95	100	105	110	115	120	130	140	150	160	170	180	
Zone 1	0	101	101	101	101	101	101	99	91	85	77	70	64	58	
	10	86	86	86	86	86	85	84	82	79	77	70	64	58	
	20	73	73	73	73	72	72	71	69	68	66	65	63	58	
	30	62	62	62	62	62	62	62	61	60	59	58	57	55	
	40	55	55	55	55	55	55	55	55	55	54	53	52	51	
	50	50	50	50	50	50	50	50	50	50	50	50	49	48	48
	60	46	46	46	46	46	46	46	46	46	46	46	46	45	45
	70	43	43	43	43	43	43	43	43	43	43	43	43	43	42
	80	40	40	40	40	40	40	40	40	40	40	40	40	40	40
90	38	38	38	38	38	38	38	38	38	38	38	38	38	38	
Zones 2e, 2r, & 3	0	101	101	98	94	90	86	82	72	65	59	53	49	46	
	10	86	86	86	86	86	85	82	72	65	59	53	49	46	
	20	73	73	73	73	72	72	71	69	65	59	53	49	46	
	30	62	62	62	62	62	62	62	61	60	59	53	49	46	
	40	55	55	55	55	55	55	55	55	55	54	53	49	46	
	50	50	50	50	50	50	50	50	50	50	50	50	49	48	46
	60	46	46	46	46	46	46	46	46	46	46	46	46	45	45
	70	43	43	43	43	43	43	43	43	43	43	43	43	43	42
	80	40	40	40	40	40	40	40	40	40	40	40	40	40	40
90	38	38	38	38	38	38	38	38	38	38	38	38	38	38	

Notes:

1. Tables are based on critical rail span for load combinations as specified in chapter 2 of the ASCE 7-16 and allowable design loads per the 2015 Aluminum Design Manual.
2. Panels are assumed to be in portrait orientation with a maximum length of 67.5"

Max Rail Spans for SunModo SMR100 System

Roof Wind Zone		Ground Snow Load (psf)	Wind Speed (mph)													
			90	95	100	105	110	115	120	130	140	150	160	170	180	
Zone 1		0	101	101	97	92	88	85	79	70	63	57	52	48	44	
		10	86	86	86	86	86	85	79	70	63	57	52	48	44	
		20	73	73	73	73	72	72	71	69	63	57	52	48	44	
		30	62	62	62	62	62	62	62	62	61	60	57	52	48	44
		40	55	55	55	55	55	55	55	55	55	55	54	52	48	44
		50	50	50	50	50	50	50	50	50	50	50	50	49	48	44
		60	46	46	46	46	46	46	46	46	46	46	46	46	45	44
		70	43	43	43	43	43	43	43	43	43	43	43	43	43	42
		80	40	40	40	40	40	40	40	40	40	40	40	40	40	40
		90	38	38	38	38	38	38	38	38	38	38	38	38	38	38
Zones 2e, 2r, & 3		0	90	85	79	73	68	64	60	54	49	44	41	38	36	
		10	86	85	79	73	68	64	60	54	49	44	41	38	36	
		20	73	73	73	73	68	64	60	54	49	44	41	38	36	
		30	62	62	62	62	62	62	60	54	49	44	41	38	36	
		40	55	55	55	55	55	55	55	54	49	44	41	38	36	
		50	50	50	50	50	50	50	50	50	49	44	41	38	36	
		60	46	46	46	46	46	46	46	46	46	46	44	41	38	36
		70	43	43	43	43	43	43	43	43	43	43	43	41	38	36
		80	40	40	40	40	40	40	40	40	40	40	40	40	38	36
		90	38	38	38	38	38	38	38	38	38	38	38	38	38	36

Notes:

1. Tables are based on critical rail span for load combinations as specified in chapter 2 of the ASCE 7-16 and allowable design loads per the 2015 Aluminum Design Manual.
2. Panels are assumed to be in portrait orientation with a maximum length of 67.5"

Max Rail Spans for SunModo SMR100 System

Table 46a		Mean Roof Height: $15 < h \leq 30$ ft							Panel Orientation: Portrait						
		Roof Angle: $27 < \theta \leq 45$ degrees							North/South Support $X_E = 1$						
		Exposure Category: B							Roof Type: Hip						
Roof Wind Zone	Ground Snow Load (psf)	Wind Speed (mph)													
		90	95	100	105	110	115	120	130	140	150	160	170	180	
Zone 1	0	101	101	101	101	101	101	101	101	97	91	86	82	75	
	10	86	86	86	86	86	86	86	86	86	84	82	80	75	
	20	75	75	75	75	75	75	75	74	73	72	71	69	68	
	30	64	64	64	64	64	64	64	64	64	64	63	62	61	
	40	57	57	57	57	57	57	57	57	57	57	57	57	56	
	50	52	52	52	52	52	52	52	52	52	52	52	52	52	
	60	48	48	48	48	48	48	48	48	48	48	48	48	48	
	70	45	45	45	45	45	45	45	45	45	45	45	45	45	
	80	42	42	42	42	42	42	42	42	42	42	42	42	42	
90	40	40	40	40	40	40	40	40	40	40	40	40	40		
Zone 2e	0	101	101	101	101	101	101	101	101	95	89	83	76	69	
	10	86	86	86	86	86	86	86	86	86	84	82	76	69	
	20	75	75	75	75	75	75	75	74	73	72	71	69	68	
	30	64	64	64	64	64	64	64	64	64	64	63	62	61	
	40	57	57	57	57	57	57	57	57	57	57	57	57	56	
	50	52	52	52	52	52	52	52	52	52	52	52	52	52	
	60	48	48	48	48	48	48	48	48	48	48	48	48	48	
	70	45	45	45	45	45	45	45	45	45	45	45	45	45	
	80	42	42	42	42	42	42	42	42	42	42	42	42	42	
90	40	40	40	40	40	40	40	40	40	40	40	40	40		
Zone 2r	0	101	101	101	101	101	99	95	88	82	74	66	60	55	
	10	86	86	86	86	86	86	86	86	82	74	66	60	55	
	20	75	75	75	75	75	75	75	74	73	72	66	60	55	
	30	64	64	64	64	64	64	64	64	64	64	63	60	55	
	40	57	57	57	57	57	57	57	57	57	57	57	57	55	
	50	52	52	52	52	52	52	52	52	52	52	52	52	52	
	60	48	48	48	48	48	48	48	48	48	48	48	48	48	
	70	45	45	45	45	45	45	45	45	45	45	45	45	45	
	80	42	42	42	42	42	42	42	42	42	42	42	42	42	
90	40	40	40	40	40	40	40	40	40	40	40	40	40		
Zone 3	0	101	101	101	101	101	101	98	90	84	75	66	59	54	
	10	86	86	86	86	86	86	86	86	84	75	66	59	54	
	20	75	75	75	75	75	75	75	74	73	72	66	59	54	
	30	64	64	64	64	64	64	64	64	64	64	63	59	54	
	40	57	57	57	57	57	57	57	57	57	57	57	57	54	
	50	52	52	52	52	52	52	52	52	52	52	52	52	52	
	60	48	48	48	48	48	48	48	48	48	48	48	48	48	
	70	45	45	45	45	45	45	45	45	45	45	45	45	45	
	80	42	42	42	42	42	42	42	42	42	42	42	42	42	
90	40	40	40	40	40	40	40	40	40	40	40	40	40		

Notes:

1. Tables are based on critical rail span for load combinations as specified in chapter 2 of the ASCE 7-16 and allowable design loads per the 2015 Aluminum Design Manual.
2. Panels are assumed to be in portrait orientation with a maximum length of 67.5"

Max Rail Spans for SunModo SMR100 System

Roof Wind Zone		Ground Snow Load (psf)	Wind Speed (mph)													
			90	95	100	105	110	115	120	130	140	150	160	170	180	
Zone 1		0	101	101	101	101	100	96	93	86	81	72	65	60	55	
		10	86	86	86	86	86	86	86	86	81	72	65	60	55	
		20	75	75	75	75	75	75	75	75	74	73	72	65	60	55
		30	64	64	64	64	64	64	64	64	64	64	64	63	60	55
		40	57	57	57	57	57	57	57	57	57	57	57	57	57	55
		50	52	52	52	52	52	52	52	52	52	52	52	52	52	52
		60	48	48	48	48	48	48	48	48	48	48	48	48	48	48
		70	45	45	45	45	45	45	45	45	45	45	45	45	45	45
		80	42	42	42	42	42	42	42	42	42	42	42	42	42	42
		90	40	40	40	40	40	40	40	40	40	40	40	40	40	40
Zone 2e		0	101	101	101	101	99	95	91	84	75	66	59	53	49	
		10	86	86	86	86	86	86	86	84	75	66	59	53	49	
		20	75	75	75	75	75	75	75	74	73	66	59	53	49	
		30	64	64	64	64	64	64	64	64	64	64	59	53	49	
		40	57	57	57	57	57	57	57	57	57	57	57	53	49	
		50	52	52	52	52	52	52	52	52	52	52	52	52	49	
		60	48	48	48	48	48	48	48	48	48	48	48	48	48	48
		70	45	45	45	45	45	45	45	45	45	45	45	45	45	45
		80	42	42	42	42	42	42	42	42	42	42	42	42	42	42
		90	40	40	40	40	40	40	40	40	40	40	40	40	40	40
Zone 2r		0	101	98	93	89	85	82	77	67	60	54	49	45	41	
		10	86	86	86	86	85	82	77	67	60	54	49	45	41	
		20	75	75	75	75	75	75	75	67	60	54	49	45	41	
		30	64	64	64	64	64	64	64	64	60	54	49	45	41	
		40	57	57	57	57	57	57	57	57	57	54	49	45	41	
		50	52	52	52	52	52	52	52	52	52	52	49	45	41	
		60	48	48	48	48	48	48	48	48	48	48	48	45	41	
		70	45	45	45	45	45	45	45	45	45	45	45	45	41	
		80	42	42	42	42	42	42	42	42	42	42	42	42	42	41
		90	40	40	40	40	40	40	40	40	40	40	40	40	40	40
Zone 3		0	101	101	96	91	87	83	78	67	58	52	47	42	39	
		10	86	86	86	86	86	83	78	67	58	52	47	42	39	
		20	75	75	75	75	75	75	75	67	58	52	47	42	39	
		30	64	64	64	64	64	64	64	64	58	52	47	42	39	
		40	57	57	57	57	57	57	57	57	57	52	47	42	39	
		50	52	52	52	52	52	52	52	52	52	52	47	42	39	
		60	48	48	48	48	48	48	48	48	48	48	47	42	39	
		70	45	45	45	45	45	45	45	45	45	45	45	42	39	
		80	42	42	42	42	42	42	42	42	42	42	42	42	39	
		90	40	40	40	40	40	40	40	40	40	40	40	40	39	

Notes:

1. Tables are based on critical rail span for load combinations as specified in chapter 2 of the ASCE 7-16 and allowable design loads per the 2015 Aluminum Design Manual.
2. Panels are assumed to be in portrait orientation with a maximum length of 67.5"

Max Rail Spans for SunModo SMR100 System

Table 47a		Mean Roof Height: $15 < h \leq 30$ ft						Panel Orientation: Portrait							
		Roof Angle: $27 < \theta \leq 45$ degrees						North/South Support $X_E = 1$							
		Exposure Category: C						Roof Type: Hip							
Roof Wind Zone	Ground Snow Load (psf)	Wind Speed (mph)													
		90	95	100	105	110	115	120	130	140	150	160	170	180	
Zone 1	0	101	101	101	101	101	99	96	89	83	76	69	63	58	
	10	86	86	86	86	86	86	85	83	81	76	69	63	58	
	20	75	75	75	75	74	74	73	71	70	68	67	63	58	
	30	64	64	64	64	64	64	64	64	62	61	60	59	58	
	40	57	57	57	57	57	57	57	57	57	56	55	54	53	
	50	52	52	52	52	52	52	52	52	52	52	52	51	51	50
	60	48	48	48	48	48	48	48	48	48	48	48	48	48	47
	70	45	45	45	45	45	45	45	45	45	45	45	45	45	44
	80	42	42	42	42	42	42	42	42	42	42	42	42	42	42
90	40	40	40	40	40	40	40	40	40	40	40	40	40	40	
Zone 2e	0	101	101	101	101	101	98	94	87	80	70	63	57	52	
	10	86	86	86	86	86	86	85	83	80	70	63	57	52	
	20	75	75	75	75	74	74	73	71	70	68	63	57	52	
	30	64	64	64	64	64	64	64	64	62	61	60	57	52	
	40	57	57	57	57	57	57	57	57	57	56	55	54	52	
	50	52	52	52	52	52	52	52	52	52	52	52	51	51	50
	60	48	48	48	48	48	48	48	48	48	48	48	48	48	47
	70	45	45	45	45	45	45	45	45	45	45	45	45	45	44
	80	42	42	42	42	42	42	42	42	42	42	42	42	42	42
90	40	40	40	40	40	40	40	40	40	40	40	40	40	40	
Zone 2r	0	101	101	96	92	88	84	81	71	63	56	51	47	43	
	10	86	86	86	86	86	84	81	71	63	56	51	47	43	
	20	75	75	75	75	74	74	73	71	63	56	51	47	43	
	30	64	64	64	64	64	64	64	64	62	56	51	47	43	
	40	57	57	57	57	57	57	57	57	57	56	51	47	43	
	50	52	52	52	52	52	52	52	52	52	52	51	47	43	
	60	48	48	48	48	48	48	48	48	48	48	48	47	43	
	70	45	45	45	45	45	45	45	45	45	45	45	45	45	43
	80	42	42	42	42	42	42	42	42	42	42	42	42	42	42
90	40	40	40	40	40	40	40	40	40	40	40	40	40	40	
Zone 3	0	101	101	100	94	90	86	82	71	62	55	49	45	41	
	10	86	86	86	86	86	86	82	71	62	55	49	45	41	
	20	75	75	75	75	74	74	73	71	62	55	49	45	41	
	30	64	64	64	64	64	64	64	64	62	55	49	45	41	
	40	57	57	57	57	57	57	57	57	57	55	49	45	41	
	50	52	52	52	52	52	52	52	52	52	52	49	45	41	
	60	48	48	48	48	48	48	48	48	48	48	48	45	41	
	70	45	45	45	45	45	45	45	45	45	45	45	45	41	
	80	42	42	42	42	42	42	42	42	42	42	42	42	41	
90	40	40	40	40	40	40	40	40	40	40	40	40	40		

Notes:

1. Tables are based on critical rail span for load combinations as specified in chapter 2 of the ASCE 7-16 and allowable design loads per the 2015 Aluminum Design Manual.
2. Panels are assumed to be in portrait orientation with a maximum length of 67.5"

Max Rail Spans for SunModo SMR100 System

Roof Wind Zone		Ground Snow Load (psf)	Wind Speed (mph)												
			90	95	100	105	110	115	120	130	140	150	160	170	180
Zone 1		0	101	98	94	90	86	83	79	69	62	56	51	47	43
		10	86	86	86	86	86	83	79	69	62	56	51	47	43
		20	75	75	75	75	74	74	73	69	62	56	51	47	43
		30	64	64	64	64	64	64	64	64	62	56	51	47	43
		40	57	57	57	57	57	57	57	57	57	56	51	47	43
		50	52	52	52	52	52	52	52	52	52	52	51	47	43
		60	48	48	48	48	48	48	48	48	48	48	48	47	43
		70	45	45	45	45	45	45	45	45	45	45	45	45	43
		80	42	42	42	42	42	42	42	42	42	42	42	42	42
		90	40	40	40	40	40	40	40	40	40	40	40	40	40
Zone 2e		0	101	97	92	88	84	79	73	63	56	50	45	41	38
		10	86	86	86	86	84	79	73	63	56	50	45	41	38
		20	75	75	75	75	74	74	73	63	56	50	45	41	38
		30	64	64	64	64	64	64	64	63	56	50	45	41	38
		40	57	57	57	57	57	57	57	57	56	50	45	41	38
		50	52	52	52	52	52	52	52	52	52	50	45	41	38
		60	48	48	48	48	48	48	48	48	48	48	45	41	38
		70	45	45	45	45	45	45	45	45	45	45	45	41	38
		80	42	42	42	42	42	42	42	42	42	42	42	41	38
		90	40	40	40	40	40	40	40	40	40	40	40	40	38
Zone 2r		0	88	84	79	72	67	62	58	52	46	42	39	36	34
		10	86	84	79	72	67	62	58	52	46	42	39	36	34
		20	75	75	75	72	67	62	58	52	46	42	39	36	34
		30	64	64	64	64	64	62	58	52	46	42	39	36	34
		40	57	57	57	57	57	57	57	52	46	42	39	36	34
		50	52	52	52	52	52	52	52	52	46	42	39	36	34
		60	48	48	48	48	48	48	48	48	46	42	39	36	34
		70	45	45	45	45	45	45	45	45	45	42	39	36	34
		80	42	42	42	42	42	42	42	42	42	42	39	36	34
		90	40	40	40	40	40	40	40	40	40	40	39	36	34
Zone 3		0	90	85	80	73	66	61	57	50	44	40	37	34	32
		10	86	85	80	73	66	61	57	50	44	40	37	34	32
		20	75	75	75	73	66	61	57	50	44	40	37	34	32
		30	64	64	64	64	64	61	57	50	44	40	37	34	32
		40	57	57	57	57	57	57	57	50	44	40	37	34	32
		50	52	52	52	52	52	52	52	50	44	40	37	34	32
		60	48	48	48	48	48	48	48	48	44	40	37	34	32
		70	45	45	45	45	45	45	45	45	44	40	37	34	32
		80	42	42	42	42	42	42	42	42	42	40	37	34	32
		90	40	40	40	40	40	40	40	40	40	40	37	34	32

Notes:

1. Tables are based on critical rail span for load combinations as specified in chapter 2 of the ASCE 7-16 and allowable design loads per the 2015 Aluminum Design Manual.
2. Panels are assumed to be in portrait orientation with a maximum length of 67.5"

Max Rail Spans for SunModo SMR100 System

Roof Wind Zone		Ground Snow Load (psf)	Wind Speed (mph)													
			90	95	100	105	110	115	120	130	140	150	160	170	180	
Zone 1		0	101	101	101	100	96	92	89	83	74	67	61	56	51	
		10	86	86	86	86	85	84	83	81	74	67	61	56	51	
		20	75	75	74	74	73	72	71	70	68	66	61	56	51	
		30	64	64	64	64	64	64	64	64	62	61	60	58	56	51
		40	57	57	57	57	57	57	57	57	57	56	55	54	53	51
		50	52	52	52	52	52	52	52	52	52	52	51	50	49	48
		60	48	48	48	48	48	48	48	48	48	48	48	47	46	46
		70	45	45	45	45	45	45	45	45	45	45	45	45	44	43
		80	42	42	42	42	42	42	42	42	42	42	42	42	42	41
		90	40	40	40	40	40	40	40	40	40	40	40	40	40	40
Zone 2e		0	101	101	101	99	94	90	86	79	68	61	54	49	45	
		10	86	86	86	86	85	84	83	79	68	61	54	49	45	
		20	75	75	74	74	73	72	71	70	68	61	54	49	45	
		30	64	64	64	64	64	64	64	64	62	61	60	54	49	45
		40	57	57	57	57	57	57	57	57	56	55	54	49	45	
		50	52	52	52	52	52	52	52	52	52	52	51	50	49	45
		60	48	48	48	48	48	48	48	48	48	48	48	47	46	45
		70	45	45	45	45	45	45	45	45	45	45	45	45	44	43
		80	42	42	42	42	42	42	42	42	42	42	42	42	42	41
		90	40	40	40	40	40	40	40	40	40	40	40	40	40	40
Zone 2r		0	98	93	89	85	81	76	70	62	55	50	45	42	39	
		10	86	86	86	85	81	76	70	62	55	50	45	42	39	
		20	75	75	74	74	73	72	70	62	55	50	45	42	39	
		30	64	64	64	64	64	64	64	62	55	50	45	42	39	
		40	57	57	57	57	57	57	57	57	55	50	45	42	39	
		50	52	52	52	52	52	52	52	52	52	50	45	42	39	
		60	48	48	48	48	48	48	48	48	48	48	45	42	39	
		70	45	45	45	45	45	45	45	45	45	45	45	45	42	39
		80	42	42	42	42	42	42	42	42	42	42	42	42	42	39
		90	40	40	40	40	40	40	40	40	40	40	40	40	40	39
Zone 3		0	101	96	91	87	83	77	70	61	53	48	43	40	37	
		10	86	86	86	86	83	77	70	61	53	48	43	40	37	
		20	75	75	74	74	73	72	70	61	53	48	43	40	37	
		30	64	64	64	64	64	64	64	61	53	48	43	40	37	
		40	57	57	57	57	57	57	57	57	53	48	43	40	37	
		50	52	52	52	52	52	52	52	52	52	48	43	40	37	
		60	48	48	48	48	48	48	48	48	48	48	43	40	37	
		70	45	45	45	45	45	45	45	45	45	45	43	40	37	
		80	42	42	42	42	42	42	42	42	42	42	42	40	37	
		90	40	40	40	40	40	40	40	40	40	40	40	40	37	

Notes:

1. Tables are based on critical rail span for load combinations as specified in chapter 2 of the ASCE 7-16 and allowable design loads per the 2015 Aluminum Design Manual.
2. Panels are assumed to be in portrait orientation with a maximum length of 67.5"

Max Rail Spans for SunModo SMR100 System

Roof Wind Zone		Ground Snow Load (psf)	Wind Speed (mph)												
			90	95	100	105	110	115	120	130	140	150	160	170	180
Zone 1		0	96	91	87	83	79	74	69	61	55	50	46	42	39
		10	86	86	86	83	79	74	69	61	55	50	46	42	39
		20	75	75	74	74	73	72	69	61	55	50	46	42	39
		30	64	64	64	64	64	64	64	61	55	50	46	42	39
		40	57	57	57	57	57	57	57	57	55	50	46	42	39
		50	52	52	52	52	52	52	52	52	52	50	46	42	39
		60	48	48	48	48	48	48	48	48	48	48	46	42	39
		70	45	45	45	45	45	45	45	45	45	45	45	42	39
		80	42	42	42	42	42	42	42	42	42	42	42	42	39
		90	40	40	40	40	40	40	40	40	40	40	40	40	39
Zone 2e		0	94	89	85	80	73	68	63	55	49	44	40	37	35
		10	86	86	85	80	73	68	63	55	49	44	40	37	35
		20	75	75	74	74	73	68	63	55	49	44	40	37	35
		30	64	64	64	64	64	64	63	55	49	44	40	37	35
		40	57	57	57	57	57	57	57	55	49	44	40	37	35
		50	52	52	52	52	52	52	52	52	49	44	40	37	35
		60	48	48	48	48	48	48	48	48	48	44	40	37	35
		70	45	45	45	45	45	45	45	45	45	44	40	37	35
		80	42	42	42	42	42	42	42	42	42	42	40	37	35
		90	40	40	40	40	40	40	40	40	40	40	40	37	35
Zone 2r		0	81	74	68	63	58	55	51	46	41	38	35	33	30
		10	81	74	68	63	58	55	51	46	41	38	35	33	30
		20	75	74	68	63	58	55	51	46	41	38	35	33	30
		30	64	64	64	63	58	55	51	46	41	38	35	33	30
		40	57	57	57	57	57	55	51	46	41	38	35	33	30
		50	52	52	52	52	52	52	51	46	41	38	35	33	30
		60	48	48	48	48	48	48	48	46	41	38	35	33	30
		70	45	45	45	45	45	45	45	45	41	38	35	33	30
		80	42	42	42	42	42	42	42	42	41	38	35	33	30
		90	40	40	40	40	40	40	40	40	40	38	35	33	30
Zone 3		0	82	75	68	62	57	53	49	43	39	36	33	31	28
		10	82	75	68	62	57	53	49	43	39	36	33	31	28
		20	75	75	68	62	57	53	49	43	39	36	33	31	28
		30	64	64	64	62	57	53	49	43	39	36	33	31	28
		40	57	57	57	57	57	53	49	43	39	36	33	31	28
		50	52	52	52	52	52	52	49	43	39	36	33	31	28
		60	48	48	48	48	48	48	48	43	39	36	33	31	28
		70	45	45	45	45	45	45	45	43	39	36	33	31	28
		80	42	42	42	42	42	42	42	42	39	36	33	31	28
		90	40	40	40	40	40	40	40	40	39	36	33	31	28

Notes:

1. Tables are based on critical rail span for load combinations as specified in chapter 2 of the ASCE 7-16 and allowable design loads per the 2015 Aluminum Design Manual.
2. Panels are assumed to be in portrait orientation with a maximum length of 67.5"

Max Rail Spans for SunModo SMR100 System

Table 49a		Mean Roof Height:	$h \leq 15$ ft										Panel Orientation:	Portrait	
		Roof Angle:	$0 < \theta \leq 7$ degrees										North/South Support	$X_E = 1$	
		Exposure Category:	B										Roof Type :	Gable	
Roof Wind Zone	Ground Snow Load (psf)	Wind Speed (mph)													
		90	95	100	105	110	115	120	130	140	150	160	170	180	
Zone 1'	0	94	94	94	94	94	94	94	94	94	94	94	94	94	
	10	79	79	79	79	79	79	79	79	79	79	79	79	79	
	20	63	63	63	63	63	63	63	63	63	63	63	63	63	
	30	61	61	61	61	61	61	61	61	61	61	61	61	61	
	40	54	54	54	54	54	54	54	54	54	54	54	54	54	
	50	49	49	49	49	49	49	49	49	49	49	49	49	49	
	60	45	45	45	45	45	45	45	45	45	45	45	45	45	
	70	42	42	42	42	42	42	42	42	42	42	42	42	42	
	80	39	39	39	39	39	39	39	39	39	39	39	39	39	
90	37	37	37	37	37	37	37	37	37	37	37	37	37		
Zone 1	0	94	94	94	94	94	94	94	94	94	89	81	74	68	
	10	79	79	79	79	79	79	79	79	79	79	79	74	68	
	20	63	63	63	63	63	63	63	63	63	63	63	63	63	
	30	61	61	61	61	61	61	61	61	61	61	61	61	61	
	40	54	54	54	54	54	54	54	54	54	54	54	54	54	
	50	49	49	49	49	49	49	49	49	49	49	49	49	49	
	60	45	45	45	45	45	45	45	45	45	45	45	45	45	
	70	42	42	42	42	42	42	42	42	42	42	42	42	42	
	80	39	39	39	39	39	39	39	39	39	39	39	39	39	
90	37	37	37	37	37	37	37	37	37	37	37	37	37		
Zone 2	0	94	94	94	94	94	94	94	88	79	71	65	60	56	
	10	79	79	79	79	79	79	79	79	79	71	65	60	56	
	20	63	63	63	63	63	63	63	63	63	63	63	60	56	
	30	61	61	61	61	61	61	61	61	61	61	61	60	56	
	40	54	54	54	54	54	54	54	54	54	54	54	54	54	
	50	49	49	49	49	49	49	49	49	49	49	49	49	49	
	60	45	45	45	45	45	45	45	45	45	45	45	45	45	
	70	42	42	42	42	42	42	42	42	42	42	42	42	42	
	80	39	39	39	39	39	39	39	39	39	39	39	39	39	
90	37	37	37	37	37	37	37	37	37	37	37	37	37		
Zone 3	0	94	94	94	94	91	85	80	71	64	58	53	49	45	
	10	79	79	79	79	79	79	79	71	64	58	53	49	45	
	20	63	63	63	63	63	63	63	63	63	58	53	49	45	
	30	61	61	61	61	61	61	61	61	61	58	53	49	45	
	40	54	54	54	54	54	54	54	54	54	54	53	49	45	
	50	49	49	49	49	49	49	49	49	49	49	49	49	45	
	60	45	45	45	45	45	45	45	45	45	45	45	45	45	
	70	42	42	42	42	42	42	42	42	42	42	42	42	42	
	80	39	39	39	39	39	39	39	39	39	39	39	39	39	
90	37	37	37	37	37	37	37	37	37	37	37	37	37		

Notes:

1. Tables are based on critical rail span for load combinations as specified in chapter 2 of the ASCE 7-16 and allowable design loads per the 2015 Aluminum Design Manual.
2. Panels are assumed to be in portrait orientation with a maximum length of 82"

Max Rail Spans for SunModo SMR100 System

Table 49b		Mean Roof Height:	$h \leq 15$ ft										Panel Orientation:	Portrait	
		Roof Angle:	$0 < \theta \leq 7$ degrees										North/South Support	$X_E = 1.5$	
		Exposure Category:	B										Roof Type :	Gable	
Roof Wind Zone	Ground Snow Load (psf)	Wind Speed (mph)													
		90	95	100	105	110	115	120	130	140	150	160	170	180	
Zone 1'	0	94	94	94	94	94	94	94	94	94	94	89	82	76	
	10	79	79	79	79	79	79	79	79	79	79	79	79	76	
	20	63	63	63	63	63	63	63	63	63	63	63	63	63	
	30	61	61	61	61	61	61	61	61	61	61	61	61	61	
	40	54	54	54	54	54	54	54	54	54	54	54	54	54	
	50	49	49	49	49	49	49	49	49	49	49	49	49	49	
	60	45	45	45	45	45	45	45	45	45	45	45	45	45	
	70	42	42	42	42	42	42	42	42	42	42	42	42	42	
	80	39	39	39	39	39	39	39	39	39	39	39	39	39	
90	37	37	37	37	37	37	37	37	37	37	37	37	37		
Zone 1	0	94	94	94	94	94	94	92	82	73	67	61	56	52	
	10	79	79	79	79	79	79	79	79	73	67	61	56	52	
	20	63	63	63	63	63	63	63	63	63	63	61	56	52	
	30	61	61	61	61	61	61	61	61	61	61	61	56	52	
	40	54	54	54	54	54	54	54	54	54	54	54	54	52	
	50	49	49	49	49	49	49	49	49	49	49	49	49	49	
	60	45	45	45	45	45	45	45	45	45	45	45	45	45	
	70	42	42	42	42	42	42	42	42	42	42	42	42	42	
	80	39	39	39	39	39	39	39	39	39	39	39	39	39	
90	37	37	37	37	37	37	37	37	37	37	37	37	37		
Zone 2	0	94	94	94	89	83	78	73	66	59	54	50	46	43	
	10	79	79	79	79	79	78	73	66	59	54	50	46	43	
	20	63	63	63	63	63	63	63	63	59	54	50	46	43	
	30	61	61	61	61	61	61	61	61	59	54	50	46	43	
	40	54	54	54	54	54	54	54	54	54	54	50	46	43	
	50	49	49	49	49	49	49	49	49	49	49	49	46	43	
	60	45	45	45	45	45	45	45	45	45	45	45	45	43	
	70	42	42	42	42	42	42	42	42	42	42	42	42	42	
	80	39	39	39	39	39	39	39	39	39	39	39	39	39	
90	37	37	37	37	37	37	37	37	37	37	37	37	37		
Zone 3	0	91	84	77	72	67	63	59	53	48	44	40	37	35	
	10	79	79	77	72	67	63	59	53	48	44	40	37	35	
	20	63	63	63	63	63	63	59	53	48	44	40	37	35	
	30	61	61	61	61	61	61	59	53	48	44	40	37	35	
	40	54	54	54	54	54	54	54	53	48	44	40	37	35	
	50	49	49	49	49	49	49	49	49	48	44	40	37	35	
	60	45	45	45	45	45	45	45	45	45	44	40	37	35	
	70	42	42	42	42	42	42	42	42	42	42	40	37	35	
	80	39	39	39	39	39	39	39	39	39	39	39	37	35	
90	37	37	37	37	37	37	37	37	37	37	37	37	35		

Notes:

1. Tables are based on critical rail span for load combinations as specified in chapter 2 of the ASCE 7-16 and allowable design loads per the 2015 Aluminum Design Manual.
2. Panels are assumed to be in portrait orientation with a maximum length of 82"

Max Rail Spans for SunModo SMR100 System

Table 50a		Mean Roof Height: $h \leq 15$ ft							Panel Orientation: Portrait					
		Roof Angle: $0 < \theta \leq 7$ degrees							North/South Support $X_E = 1$					
		Exposure Category: C							Roof Type: Gable					
Roof Wind Zone	Ground Snow Load (psf)	Wind Speed (mph)												
		90	95	100	105	110	115	120	130	140	150	160	170	180
Zone 1'	0	94	94	94	94	94	94	94	94	94	94	89	82	76
	10	79	79	79	79	79	79	79	79	79	79	79	79	76
	20	63	63	63	63	63	63	63	63	63	63	63	63	63
	30	61	61	61	61	61	61	61	61	61	61	61	61	61
	40	54	54	54	54	54	54	54	54	54	54	54	54	54
	50	49	49	49	49	49	49	49	49	49	49	49	49	49
	60	45	45	45	45	45	45	45	45	45	45	45	45	45
	70	42	42	42	42	42	42	42	42	42	42	42	42	42
	80	39	39	39	39	39	39	39	39	39	39	39	39	39
90	37	37	37	37	37	37	37	37	37	37	37	37	37	
Zone 1	0	94	94	94	94	94	94	92	82	74	67	61	56	52
	10	79	79	79	79	79	79	79	79	74	67	61	56	52
	20	63	63	63	63	63	63	63	63	63	63	61	56	52
	30	61	61	61	61	61	61	61	61	61	61	61	56	52
	40	54	54	54	54	54	54	54	54	54	54	54	54	52
	50	49	49	49	49	49	49	49	49	49	49	49	49	49
	60	45	45	45	45	45	45	45	45	45	45	45	45	45
	70	42	42	42	42	42	42	42	42	42	42	42	42	42
	80	39	39	39	39	39	39	39	39	39	39	39	39	39
90	37	37	37	37	37	37	37	37	37	37	37	37	37	
Zone 2	0	94	94	94	90	84	78	74	66	60	54	50	46	43
	10	79	79	79	79	79	78	74	66	60	54	50	46	43
	20	63	63	63	63	63	63	63	63	60	54	50	46	43
	30	61	61	61	61	61	61	61	61	60	54	50	46	43
	40	54	54	54	54	54	54	54	54	54	54	50	46	43
	50	49	49	49	49	49	49	49	49	49	49	49	46	43
	60	45	45	45	45	45	45	45	45	45	45	45	45	43
	70	42	42	42	42	42	42	42	42	42	42	42	42	42
	80	39	39	39	39	39	39	39	39	39	39	39	39	39
90	37	37	37	37	37	37	37	37	37	37	37	37	37	
Zone 3	0	91	84	78	72	68	63	60	54	48	44	41	38	35
	10	79	79	78	72	68	63	60	54	48	44	41	38	35
	20	63	63	63	63	63	63	60	54	48	44	41	38	35
	30	61	61	61	61	61	61	60	54	48	44	41	38	35
	40	54	54	54	54	54	54	54	54	48	44	41	38	35
	50	49	49	49	49	49	49	49	49	48	44	41	38	35
	60	45	45	45	45	45	45	45	45	45	44	41	38	35
	70	42	42	42	42	42	42	42	42	42	42	41	38	35
	80	39	39	39	39	39	39	39	39	39	39	39	38	35
90	37	37	37	37	37	37	37	37	37	37	37	37	35	

Notes:

1. Tables are based on critical rail span for load combinations as specified in chapter 2 of the ASCE 7-16 and allowable design loads per the 2015 Aluminum Design Manual.
2. Panels are assumed to be in portrait orientation with a maximum length of 82"

Max Rail Spans for SunModo SMR100 System

Table 50b		Mean Roof Height:	$h \leq 15$ ft										Panel Orientation:	Portrait	
		Roof Angle:	$0 < \theta \leq 7$ degrees										North/South Support	$X_E = 1.5$	
		Exposure Category:	C										Roof Type :	Gable	
Roof Wind Zone	Ground Snow Load (psf)	Wind Speed (mph)													
		90	95	100	105	110	115	120	130	140	150	160	170	180	
Zone 1'	0	94	94	94	94	94	94	94	90	81	74	68	63	59	
	10	79	79	79	79	79	79	79	79	79	74	68	63	59	
	20	63	63	63	63	63	63	63	63	63	63	63	63	59	
	30	61	61	61	61	61	61	61	61	61	61	61	61	59	
	40	54	54	54	54	54	54	54	54	54	54	54	54	54	
	50	49	49	49	49	49	49	49	49	49	49	49	49	49	
	60	45	45	45	45	45	45	45	45	45	45	45	45	45	
	70	42	42	42	42	42	42	42	42	42	42	42	42	42	
	80	39	39	39	39	39	39	39	39	39	39	39	39	39	
90	37	37	37	37	37	37	37	37	37	37	37	37	37		
Zone 1	0	94	94	90	83	78	73	69	62	56	51	47	43	40	
	10	79	79	79	79	78	73	69	62	56	51	47	43	40	
	20	63	63	63	63	63	63	63	62	56	51	47	43	40	
	30	61	61	61	61	61	61	61	61	56	51	47	43	40	
	40	54	54	54	54	54	54	54	54	54	51	47	43	40	
	50	49	49	49	49	49	49	49	49	49	49	47	43	40	
	60	45	45	45	45	45	45	45	45	45	45	45	43	40	
	70	42	42	42	42	42	42	42	42	42	42	42	42	40	
	80	39	39	39	39	39	39	39	39	39	39	39	39	39	
90	37	37	37	37	37	37	37	37	37	37	37	37	37		
Zone 2	0	83	77	72	67	63	59	56	50	46	42	39	36	34	
	10	79	77	72	67	63	59	56	50	46	42	39	36	34	
	20	63	63	63	63	63	59	56	50	46	42	39	36	34	
	30	61	61	61	61	61	59	56	50	46	42	39	36	34	
	40	54	54	54	54	54	54	54	50	46	42	39	36	34	
	50	49	49	49	49	49	49	49	49	46	42	39	36	34	
	60	45	45	45	45	45	45	45	45	45	42	39	36	34	
	70	42	42	42	42	42	42	42	42	42	42	39	36	34	
	80	39	39	39	39	39	39	39	39	39	39	39	36	34	
90	37	37	37	37	37	37	37	37	37	37	37	36	34		
Zone 3	0	67	62	58	54	51	48	45	41	37	34	32	30	28	
	10	67	62	58	54	51	48	45	41	37	34	32	30	28	
	20	63	62	58	54	51	48	45	41	37	34	32	30	28	
	30	61	61	58	54	51	48	45	41	37	34	32	30	28	
	40	54	54	54	54	51	48	45	41	37	34	32	30	28	
	50	49	49	49	49	49	48	45	41	37	34	32	30	28	
	60	45	45	45	45	45	45	45	41	37	34	32	30	28	
	70	42	42	42	42	42	42	42	41	37	34	32	30	28	
	80	39	39	39	39	39	39	39	39	37	34	32	30	28	
90	37	37	37	37	37	37	37	37	37	34	32	30	28		

Notes:

1. Tables are based on critical rail span for load combinations as specified in chapter 2 of the ASCE 7-16 and allowable design loads per the 2015 Aluminum Design Manual.
2. Panels are assumed to be in portrait orientation with a maximum length of 82"

Max Rail Spans for SunModo SMR100 System

Table 51a		Mean Roof Height:	$h \leq 15$ ft										Panel Orientation:	Portrait	
		Roof Angle:	$0 < \theta \leq 7$ degrees										North/South Support	$X_E = 1$	
		Exposure Category:	D										Roof Type :	Gable	
Roof Wind Zone	Ground Snow Load (psf)	Wind Speed (mph)													
		90	95	100	105	110	115	120	130	140	150	160	170	180	
Zone 1'	0	94	94	94	94	94	94	94	94	93	86	78	72	67	
	10	79	79	79	79	79	79	79	79	79	79	78	72	67	
	20	63	63	63	63	63	63	63	63	63	63	63	63	62	
	30	61	61	61	61	61	61	61	61	61	61	61	61	61	
	40	54	54	54	54	54	54	54	54	54	54	54	54	54	
	50	49	49	49	49	49	49	49	49	49	49	49	49	49	
	60	45	45	45	45	45	45	45	45	45	45	45	45	45	
	70	42	42	42	42	42	42	42	42	42	42	42	42	42	
	80	39	39	39	39	39	39	39	39	39	39	39	39	39	
90	37	37	37	37	37	37	37	37	37	37	37	37	37		
Zone 1	0	94	94	94	94	91	85	80	71	64	59	54	50	46	
	10	79	79	79	79	79	79	79	71	64	59	54	50	46	
	20	63	63	63	63	63	63	63	63	63	59	54	50	46	
	30	61	61	61	61	61	61	61	61	61	59	54	50	46	
	40	54	54	54	54	54	54	54	54	54	54	54	50	46	
	50	49	49	49	49	49	49	49	49	49	49	49	49	46	
	60	45	45	45	45	45	45	45	45	45	45	45	45	45	
	70	42	42	42	42	42	42	42	42	42	42	42	42	42	
	80	39	39	39	39	39	39	39	39	39	39	39	39	39	
90	37	37	37	37	37	37	37	37	37	37	37	37	37		
Zone 2	0	94	90	83	78	73	68	64	58	52	48	44	41	38	
	10	79	79	79	78	73	68	64	58	52	48	44	41	38	
	20	63	63	63	63	63	63	63	58	52	48	44	41	38	
	30	61	61	61	61	61	61	61	58	52	48	44	41	38	
	40	54	54	54	54	54	54	54	54	52	48	44	41	38	
	50	49	49	49	49	49	49	49	49	49	48	44	41	38	
	60	45	45	45	45	45	45	45	45	45	45	44	41	38	
	70	42	42	42	42	42	42	42	42	42	42	42	41	38	
	80	39	39	39	39	39	39	39	39	39	39	39	39	38	
90	37	37	37	37	37	37	37	37	37	37	37	37	37		
Zone 3	0	79	73	67	63	59	55	52	47	43	39	36	33	32	
	10	79	73	67	63	59	55	52	47	43	39	36	33	32	
	20	63	63	63	63	59	55	52	47	43	39	36	33	32	
	30	61	61	61	61	59	55	52	47	43	39	36	33	32	
	40	54	54	54	54	54	54	52	47	43	39	36	33	32	
	50	49	49	49	49	49	49	49	47	43	39	36	33	32	
	60	45	45	45	45	45	45	45	45	43	39	36	33	32	
	70	42	42	42	42	42	42	42	42	42	39	36	33	32	
	80	39	39	39	39	39	39	39	39	39	39	36	33	32	
90	37	37	37	37	37	37	37	37	37	37	36	33	32		

Notes:

1. Tables are based on critical rail span for load combinations as specified in chapter 2 of the ASCE 7-16 and allowable design loads per the 2015 Aluminum Design Manual.
2. Panels are assumed to be in portrait orientation with a maximum length of 82"

Max Rail Spans for SunModo SMR100 System

Roof Wind Zone		Ground Snow Load (psf)	Wind Speed (mph)													
			90	95	100	105	110	115	120	130	140	150	160	170	180	
Zone 1'		0	94	94	94	94	94	92	88	79	72	65	60	56	52	
		10	79	79	79	79	79	79	79	79	72	65	60	56	52	
		20	63	63	63	63	63	63	63	63	63	63	60	56	52	
		30	61	61	61	61	61	61	61	61	61	61	60	56	52	
		40	54	54	54	54	54	54	54	54	54	54	54	54	52	
		50	49	49	49	49	49	49	49	49	49	49	49	49	49	49
		60	45	45	45	45	45	45	45	45	45	45	45	45	45	45
		70	42	42	42	42	42	42	42	42	42	42	42	42	42	42
		80	39	39	39	39	39	39	39	39	39	39	39	39	39	39
90	37	37	37	37	37	37	37	37	37	37	37	37	37	37		
Zone 1		0	91	84	78	72	68	64	60	54	49	45	41	38	36	
		10	79	79	78	72	68	64	60	54	49	45	41	38	36	
		20	63	63	63	63	63	63	60	54	49	45	41	38	36	
		30	61	61	61	61	61	61	60	54	49	45	41	38	36	
		40	54	54	54	54	54	54	54	54	49	45	41	38	36	
		50	49	49	49	49	49	49	49	49	49	45	41	38	36	
		60	45	45	45	45	45	45	45	45	45	45	41	38	36	
		70	42	42	42	42	42	42	42	42	42	42	41	38	36	
		80	39	39	39	39	39	39	39	39	39	39	39	38	36	
90	37	37	37	37	37	37	37	37	37	37	37	37	37	36		
Zone 2		0	73	67	63	59	55	52	49	44	40	37	34	32	30	
		10	73	67	63	59	55	52	49	44	40	37	34	32	30	
		20	63	63	63	59	55	52	49	44	40	37	34	32	30	
		30	61	61	61	59	55	52	49	44	40	37	34	32	30	
		40	54	54	54	54	54	52	49	44	40	37	34	32	30	
		50	49	49	49	49	49	49	49	44	40	37	34	32	30	
		60	45	45	45	45	45	45	45	44	40	37	34	32	30	
		70	42	42	42	42	42	42	42	42	40	37	34	32	30	
		80	39	39	39	39	39	39	39	39	39	37	34	32	30	
90	37	37	37	37	37	37	37	37	37	37	34	32	30			
Zone 3		0	59	55	51	48	45	42	40	36	33	31	29	27	26	
		10	59	55	51	48	45	42	40	36	33	31	29	27	26	
		20	59	55	51	48	45	42	40	36	33	31	29	27	26	
		30	59	55	51	48	45	42	40	36	33	31	29	27	26	
		40	54	54	51	48	45	42	40	36	33	31	29	27	26	
		50	49	49	49	48	45	42	40	36	33	31	29	27	26	
		60	45	45	45	45	45	42	40	36	33	31	29	27	26	
		70	42	42	42	42	42	42	40	36	33	31	29	27	26	
		80	39	39	39	39	39	39	39	36	33	31	29	27	26	
90	37	37	37	37	37	37	37	36	33	31	29	27	26			

Notes:

1. Tables are based on critical rail span for load combinations as specified in chapter 2 of the ASCE 7-16 and allowable design loads per the 2015 Aluminum Design Manual.
2. Panels are assumed to be in portrait orientation with a maximum length of 82"

Max Rail Spans for SunModo SMR100 System

Table 52a		Mean Roof Height:	$h \leq 15$ ft										Panel Orientation:	Portrait	
		Roof Angle:	$7 < \theta \leq 20$ degrees										North/South Support	$X_E = 1$	
		Exposure Category:	B										Roof Type :	Gable	
Roof Wind Zone	Ground Snow Load (psf)	Wind Speed (mph)													
		90	95	100	105	110	115	120	130	140	150	160	170	180	
Zones 1 & 2e	0	94	94	94	94	94	94	94	94	89	78	69	64	59	
	10	73	73	73	73	73	73	73	73	73	73	69	64	59	
	20	56	56	56	56	56	56	56	56	56	56	56	56	56	
	30	56	56	56	56	56	56	56	56	56	56	56	56	56	
	40	50	50	50	50	50	50	50	50	50	50	50	50	50	
	50	45	45	45	45	45	45	45	45	45	45	45	45	45	
	60	42	42	42	42	42	42	42	42	42	42	42	42	42	
	70	39	39	39	39	39	39	39	39	39	39	39	39	39	
	80	36	36	36	36	36	36	36	36	36	36	36	36	36	
90	34	34	34	34	34	34	34	34	34	34	34	34	34		
Zones 2h, 2r, & 3e	0	94	94	94	94	94	93	89	79	70	63	57	52	48	
	10	73	73	73	73	73	73	73	73	70	63	57	52	48	
	20	56	56	56	56	56	56	56	56	56	56	56	52	48	
	30	56	56	56	56	56	56	56	56	56	56	56	52	48	
	40	50	50	50	50	50	50	50	50	50	50	50	50	48	
	50	45	45	45	45	45	45	45	45	45	45	45	45	45	
	60	42	42	42	42	42	42	42	42	42	42	42	42	42	
	70	39	39	39	39	39	39	39	39	39	39	39	39	39	
	80	36	36	36	36	36	36	36	36	36	36	36	36	36	
90	34	34	34	34	34	34	34	34	34	34	34	34	34		
Zone 3r	0	94	94	94	94	89	84	78	68	61	55	50	46	42	
	10	73	73	73	73	73	73	73	68	61	55	50	46	42	
	20	56	56	56	56	56	56	56	56	56	55	50	46	42	
	30	56	56	56	56	56	56	56	56	56	55	50	46	42	
	40	50	50	50	50	50	50	50	50	50	50	50	46	42	
	50	45	45	45	45	45	45	45	45	45	45	45	45	42	
	60	42	42	42	42	42	42	42	42	42	42	42	42	42	
	70	39	39	39	39	39	39	39	39	39	39	39	39	39	
	80	36	36	36	36	36	36	36	36	36	36	36	36	36	
90	34	34	34	34	34	34	34	34	34	34	34	34	34		

Notes:

1. Tables are based on critical rail span for load combinations as specified in chapter 2 of the ASCE 7-16 and allowable design loads per the 2015 Aluminum Design Manual.
2. Panels are assumed to be in portrait orientation with a maximum length of 82"

Max Rail Spans for SunModo SMR100 System

Table 52b		Mean Roof Height:	$h \leq 15$ ft										Panel Orientation:	Portrait	
		Roof Angle:	$7 < \theta \leq 20$ degrees										North/South Support	$X_E = 1.5$	
		Exposure Category:	B										Roof Type :	Gable	
Roof Wind Zone	Ground Snow Load (psf)	Wind Speed (mph)													
		90	95	100	105	110	115	120	130	140	150	160	170	180	
Zones 1 & 2e	0	94	94	94	94	93	89	82	70	63	58	53	50	46	
	10	73	73	73	73	73	73	73	70	63	58	53	50	46	
	20	56	56	56	56	56	56	56	56	56	56	53	50	46	
	30	56	56	56	56	56	56	56	56	56	56	53	50	46	
	40	50	50	50	50	50	50	50	50	50	50	50	50	46	
	50	45	45	45	45	45	45	45	45	45	45	45	45	45	
	60	42	42	42	42	42	42	42	42	42	42	42	42	42	
	70	39	39	39	39	39	39	39	39	39	39	39	39	39	
	80	36	36	36	36	36	36	36	36	36	36	36	36	36	
90	34	34	34	34	34	34	34	34	34	34	34	34	34		
Zones 2h, 2r, & 3e	0	94	92	87	80	74	69	65	57	52	47	43	39	36	
	10	73	73	73	73	73	69	65	57	52	47	43	39	36	
	20	56	56	56	56	56	56	56	56	52	47	43	39	36	
	30	56	56	56	56	56	56	56	56	52	47	43	39	36	
	40	50	50	50	50	50	50	50	50	50	47	43	39	36	
	50	45	45	45	45	45	45	45	45	45	45	43	39	36	
	60	42	42	42	42	42	42	42	42	42	42	42	39	36	
	70	39	39	39	39	39	39	39	39	39	39	39	39	36	
	80	36	36	36	36	36	36	36	36	36	36	36	36	36	
90	34	34	34	34	34	34	34	34	34	34	34	34	34		
Zone 3r	0	89	82	75	70	65	61	57	51	45	41	38	35	33	
	10	73	73	73	70	65	61	57	51	45	41	38	35	33	
	20	56	56	56	56	56	56	56	51	45	41	38	35	33	
	30	56	56	56	56	56	56	56	51	45	41	38	35	33	
	40	50	50	50	50	50	50	50	50	45	41	38	35	33	
	50	45	45	45	45	45	45	45	45	45	41	38	35	33	
	60	42	42	42	42	42	42	42	42	42	41	38	35	33	
	70	39	39	39	39	39	39	39	39	39	39	38	35	33	
	80	36	36	36	36	36	36	36	36	36	36	36	35	33	
90	34	34	34	34	34	34	34	34	34	34	34	34	33		

Notes:

1. Tables are based on critical rail span for load combinations as specified in chapter 2 of the ASCE 7-16 and allowable design loads per the 2015 Aluminum Design Manual.
2. Panels are assumed to be in portrait orientation with a maximum length of 82"

Max Rail Spans for SunModo SMR100 System

Table 53a		Mean Roof Height:	$h \leq 15$ ft										Panel Orientation:	Portrait	
		Roof Angle:	$7 < \theta \leq 20$ degrees										North/South Support	$X_E = 1$	
		Exposure Category:	C										Roof Type :	Gable	
Roof Wind Zone	Ground Snow Load (psf)	Wind Speed (mph)													
		90	95	100	105	110	115	120	130	140	150	160	170	180	
Zones 1 & 2e	0	94	94	94	94	94	89	82	70	63	58	54	50	46	
	10	73	73	73	73	73	73	73	70	63	58	54	50	46	
	20	56	56	56	56	56	56	56	56	56	56	54	50	46	
	30	56	56	56	56	56	56	56	56	56	56	54	50	46	
	40	50	50	50	50	50	50	50	50	50	50	50	50	46	
	50	45	45	45	45	45	45	45	45	45	45	45	45	45	
	60	42	42	42	42	42	42	42	42	42	42	42	42	42	
	70	39	39	39	39	39	39	39	39	39	39	39	39	39	
	80	36	36	36	36	36	36	36	36	36	36	36	36	36	
90	34	34	34	34	34	34	34	34	34	34	34	34	34		
Zones 2h, 2r, & 3e	0	94	92	88	81	75	70	65	58	52	47	43	40	37	
	10	73	73	73	73	73	70	65	58	52	47	43	40	37	
	20	56	56	56	56	56	56	56	56	52	47	43	40	37	
	30	56	56	56	56	56	56	56	56	52	47	43	40	37	
	40	50	50	50	50	50	50	50	50	50	47	43	40	37	
	50	45	45	45	45	45	45	45	45	45	45	43	40	37	
	60	42	42	42	42	42	42	42	42	42	42	42	40	37	
	70	39	39	39	39	39	39	39	39	39	39	39	39	37	
	80	36	36	36	36	36	36	36	36	36	36	36	36	36	
90	34	34	34	34	34	34	34	34	34	34	34	34	34		
Zone 3r	0	89	83	76	70	65	61	57	51	46	41	38	35	33	
	10	73	73	73	70	65	61	57	51	46	41	38	35	33	
	20	56	56	56	56	56	56	56	51	46	41	38	35	33	
	30	56	56	56	56	56	56	56	51	46	41	38	35	33	
	40	50	50	50	50	50	50	50	50	46	41	38	35	33	
	50	45	45	45	45	45	45	45	45	45	41	38	35	33	
	60	42	42	42	42	42	42	42	42	42	41	38	35	33	
	70	39	39	39	39	39	39	39	39	39	39	38	35	33	
	80	36	36	36	36	36	36	36	36	36	36	36	35	33	
90	34	34	34	34	34	34	34	34	34	34	34	34	33		

Notes:

1. Tables are based on critical rail span for load combinations as specified in chapter 2 of the ASCE 7-16 and allowable design loads per the 2015 Aluminum Design Manual.
2. Panels are assumed to be in portrait orientation with a maximum length of 82"

Max Rail Spans for SunModo SMR100 System

Roof Wind Zone		Ground Snow Load (psf)	Wind Speed (mph)												
			90	95	100	105	110	115	120	130	140	150	160	170	180
Zones 1 & 2e		0	93	88	79	71	67	63	60	54	49	45	42	39	36
		10	73	73	73	71	67	63	60	54	49	45	42	39	36
		20	56	56	56	56	56	56	56	54	49	45	42	39	36
		30	56	56	56	56	56	56	56	54	49	45	42	39	36
		40	50	50	50	50	50	50	50	50	49	45	42	39	36
		50	45	45	45	45	45	45	45	45	45	45	42	39	36
		60	42	42	42	42	42	42	42	42	42	42	42	39	36
		70	39	39	39	39	39	39	39	39	39	39	39	39	36
		80	36	36	36	36	36	36	36	36	36	36	36	36	36
		90	34	34	34	34	34	34	34	34	34	34	34	34	34
Zones 2h, 2r, & 3e		0	74	68	63	59	55	51	48	43	39	36	33	31	29
		10	73	68	63	59	55	51	48	43	39	36	33	31	29
		20	56	56	56	56	55	51	48	43	39	36	33	31	29
		30	56	56	56	56	55	51	48	43	39	36	33	31	29
		40	50	50	50	50	50	50	48	43	39	36	33	31	29
		50	45	45	45	45	45	45	45	43	39	36	33	31	29
		60	42	42	42	42	42	42	42	42	39	36	33	31	29
		70	39	39	39	39	39	39	39	39	39	36	33	31	29
		80	36	36	36	36	36	36	36	36	36	36	33	31	29
		90	34	34	34	34	34	34	34	34	34	34	33	31	29
Zone 3r		0	65	60	55	52	48	45	43	38	35	32	30	28	27
		10	65	60	55	52	48	45	43	38	35	32	30	28	27
		20	56	56	55	52	48	45	43	38	35	32	30	28	27
		30	56	56	55	52	48	45	43	38	35	32	30	28	27
		40	50	50	50	50	48	45	43	38	35	32	30	28	27
		50	45	45	45	45	45	45	43	38	35	32	30	28	27
		60	42	42	42	42	42	42	42	38	35	32	30	28	27
		70	39	39	39	39	39	39	39	38	35	32	30	28	27
		80	36	36	36	36	36	36	36	36	35	32	30	28	27
		90	34	34	34	34	34	34	34	34	34	32	30	28	27

Notes:

1. Tables are based on critical rail span for load combinations as specified in chapter 2 of the ASCE 7-16 and allowable design loads per the 2015 Aluminum Design Manual.
2. Panels are assumed to be in portrait orientation with a maximum length of 82"

Max Rail Spans for SunModo SMR100 System

Table 54a		Mean Roof Height:	$h \leq 15$ ft										Panel Orientation:	Portrait	
		Roof Angle:	$7 < \theta \leq 20$ degrees										North/South Support	$X_E = 1$	
		Exposure Category:	D										Roof Type :	Gable	
Roof Wind Zone	Ground Snow Load (psf)	Wind Speed (mph)													
		90	95	100	105	110	115	120	130	140	150	160	170	180	
Zones 1 & 2e	0	94	94	93	88	81	74	68	62	56	51	48	44	41	
	10	73	73	73	73	73	73	68	62	56	51	48	44	41	
	20	56	56	56	56	56	56	56	56	56	51	48	44	41	
	30	56	56	56	56	56	56	56	56	56	51	48	44	41	
	40	50	50	50	50	50	50	50	50	50	50	48	44	41	
	50	45	45	45	45	45	45	45	45	45	45	45	45	44	41
	60	42	42	42	42	42	42	42	42	42	42	42	42	42	41
	70	39	39	39	39	39	39	39	39	39	39	39	39	39	39
	80	36	36	36	36	36	36	36	36	36	36	36	36	36	36
90	34	34	34	34	34	34	34	34	34	34	34	34	34	34	
Zones 2h, 2r, & 3e	0	88	81	75	69	64	60	56	50	45	41	38	35	33	
	10	73	73	73	69	64	60	56	50	45	41	38	35	33	
	20	56	56	56	56	56	56	56	50	45	41	38	35	33	
	30	56	56	56	56	56	56	56	50	45	41	38	35	33	
	40	50	50	50	50	50	50	50	50	45	41	38	35	33	
	50	45	45	45	45	45	45	45	45	45	41	38	35	33	
	60	42	42	42	42	42	42	42	42	42	41	38	35	33	
	70	39	39	39	39	39	39	39	39	39	39	38	35	33	
	80	36	36	36	36	36	36	36	36	36	36	36	36	35	33
90	34	34	34	34	34	34	34	34	34	34	34	34	34	33	
Zone 3r	0	77	70	65	60	56	53	50	44	40	36	34	32	30	
	10	73	70	65	60	56	53	50	44	40	36	34	32	30	
	20	56	56	56	56	56	53	50	44	40	36	34	32	30	
	30	56	56	56	56	56	53	50	44	40	36	34	32	30	
	40	50	50	50	50	50	50	50	44	40	36	34	32	30	
	50	45	45	45	45	45	45	45	44	40	36	34	32	30	
	60	42	42	42	42	42	42	42	42	40	36	34	32	30	
	70	39	39	39	39	39	39	39	39	39	36	34	32	30	
	80	36	36	36	36	36	36	36	36	36	36	34	32	30	
90	34	34	34	34	34	34	34	34	34	34	34	32	30		

Notes:

1. Tables are based on critical rail span for load combinations as specified in chapter 2 of the ASCE 7-16 and allowable design loads per the 2015 Aluminum Design Manual.
2. Panels are assumed to be in portrait orientation with a maximum length of 82"

Max Rail Spans for SunModo SMR100 System

Roof Wind Zone		Ground Snow Load (psf)	Wind Speed (mph)													
			90	95	100	105	110	115	120	130	140	150	160	170	180	
Zones 1 & 2e		0	80	72	67	62	59	56	53	48	44	40	37	35	33	
		10	73	72	67	62	59	56	53	48	44	40	37	35	33	
		20	56	56	56	56	56	56	56	53	48	44	40	37	35	33
		30	56	56	56	56	56	56	56	53	48	44	40	37	35	33
		40	50	50	50	50	50	50	50	50	48	44	40	37	35	33
		50	45	45	45	45	45	45	45	45	45	44	40	37	35	33
		60	42	42	42	42	42	42	42	42	42	42	40	37	35	33
		70	39	39	39	39	39	39	39	39	39	39	39	37	35	33
		80	36	36	36	36	36	36	36	36	36	36	36	36	35	33
		90	34	34	34	34	34	34	34	34	34	34	34	34	34	33
Zones 2h, 2r, & 3e		0	64	59	55	51	48	45	42	38	34	32	30	28	26	
		10	64	59	55	51	48	45	42	38	34	32	30	28	26	
		20	56	56	55	51	48	45	42	38	34	32	30	28	26	
		30	56	56	55	51	48	45	42	38	34	32	30	28	26	
		40	50	50	50	50	48	45	42	38	34	32	30	28	26	
		50	45	45	45	45	45	45	45	42	38	34	32	30	28	26
		60	42	42	42	42	42	42	42	42	38	34	32	30	28	26
		70	39	39	39	39	39	39	39	39	38	34	32	30	28	26
		80	36	36	36	36	36	36	36	36	36	34	32	30	28	26
		90	34	34	34	34	34	34	34	34	34	34	32	30	28	26
Zone 3r		0	56	52	48	45	42	40	37	34	31	29	27	26	24	
		10	56	52	48	45	42	40	37	34	31	29	27	26	24	
		20	56	52	48	45	42	40	37	34	31	29	27	26	24	
		30	56	52	48	45	42	40	37	34	31	29	27	26	24	
		40	50	50	48	45	42	40	37	34	31	29	27	26	24	
		50	45	45	45	45	42	40	37	34	31	29	27	26	24	
		60	42	42	42	42	42	40	37	34	31	29	27	26	24	
		70	39	39	39	39	39	39	39	37	34	31	29	27	26	24
		80	36	36	36	36	36	36	36	36	34	31	29	27	26	24
		90	34	34	34	34	34	34	34	34	34	31	29	27	26	24

Notes:

1. Tables are based on critical rail span for load combinations as specified in chapter 2 of the ASCE 7-16 and allowable design loads per the 2015 Aluminum Design Manual.
2. Panels are assumed to be in portrait orientation with a maximum length of 82"

Max Rail Spans for SunModo SMR100 System

Table 55a		Mean Roof Height: $h \leq 15$ ft						Panel Orientation: Portrait						
		Roof Angle: $20 < \theta \leq 27$ degrees						North/South Support $X_E = 1$						
		Exposure Category: B						Roof Type: Gable						
Roof Wind Zone	Ground Snow Load (psf)	Wind Speed (mph)												
		90	95	100	105	110	115	120	130	140	150	160	170	180
Zones 1 & 2e	0	94	94	94	94	94	94	94	94	94	92	87	80	73
	10	79	79	79	79	79	79	79	79	79	79	79	78	73
	20	66	66	66	66	66	66	66	66	66	66	66	66	65
	30	56	56	56	56	56	56	56	56	56	56	56	56	56
	40	50	50	50	50	50	50	50	50	50	50	50	50	50
	50	45	45	45	45	45	45	45	45	45	45	45	45	45
	60	42	42	42	42	42	42	42	42	42	42	42	42	42
	70	39	39	39	39	39	39	39	39	39	39	39	39	39
	80	36	36	36	36	36	36	36	36	36	36	36	36	36
90	35	35	35	35	35	35	35	35	35	35	35	35	35	
Zones 2h, 2r, & 3e	0	94	94	94	94	94	94	94	89	82	73	66	60	55
	10	79	79	79	79	79	79	79	79	79	73	66	60	55
	20	66	66	66	66	66	66	66	66	66	66	66	60	55
	30	56	56	56	56	56	56	56	56	56	56	56	56	55
	40	50	50	50	50	50	50	50	50	50	50	50	50	50
	50	45	45	45	45	45	45	45	45	45	45	45	45	45
	60	42	42	42	42	42	42	42	42	42	42	42	42	42
	70	39	39	39	39	39	39	39	39	39	39	39	39	39
	80	36	36	36	36	36	36	36	36	36	36	36	36	36
90	35	35	35	35	35	35	35	35	35	35	35	35	35	
Zone 3r	0	94	94	94	94	94	94	91	85	74	66	60	54	50
	10	79	79	79	79	79	79	79	79	74	66	60	54	50
	20	66	66	66	66	66	66	66	66	66	66	60	54	50
	30	56	56	56	56	56	56	56	56	56	56	56	54	50
	40	50	50	50	50	50	50	50	50	50	50	50	50	50
	50	45	45	45	45	45	45	45	45	45	45	45	45	45
	60	42	42	42	42	42	42	42	42	42	42	42	42	42
	70	39	39	39	39	39	39	39	39	39	39	39	39	39
	80	36	36	36	36	36	36	36	36	36	36	36	36	36
90	35	35	35	35	35	35	35	35	35	35	35	35	35	

Notes:

1. Tables are based on critical rail span for load combinations as specified in chapter 2 of the ASCE 7-16 and allowable design loads per the 2015 Aluminum Design Manual.
2. Panels are assumed to be in portrait orientation with a maximum length of 82"

Max Rail Spans for SunModo SMR100 System

Roof Wind Zone		Ground Snow Load (psf)	Wind Speed (mph)													
			90	95	100	105	110	115	120	130	140	150	160	170	180	
Zones 1 & 2e		0	94	94	94	94	94	94	94	87	79	71	65	60	56	
		10	79	79	79	79	79	79	79	79	79	71	65	60	56	
		20	66	66	66	66	66	66	66	66	66	66	65	60	56	
		30	56	56	56	56	56	56	56	56	56	56	56	56	56	
		40	50	50	50	50	50	50	50	50	50	50	50	50	50	
		50	45	45	45	45	45	45	45	45	45	45	45	45	45	
		60	42	42	42	42	42	42	42	42	42	42	42	42	42	
		70	39	39	39	39	39	39	39	39	39	39	39	39	39	
		80	36	36	36	36	36	36	36	36	36	36	36	36	36	
		90	35	35	35	35	35	35	35	35	35	35	35	35	35	
Zones 2h, 2r, & 3e		0	94	94	94	90	86	81	76	67	59	54	49	45	41	
		10	79	79	79	79	79	79	79	76	67	59	54	49	45	41
		20	66	66	66	66	66	66	66	66	66	59	54	49	45	41
		30	56	56	56	56	56	56	56	56	56	56	54	49	45	41
		40	50	50	50	50	50	50	50	50	50	50	50	49	45	41
		50	45	45	45	45	45	45	45	45	45	45	45	45	45	41
		60	42	42	42	42	42	42	42	42	42	42	42	42	42	41
		70	39	39	39	39	39	39	39	39	39	39	39	39	39	39
		80	36	36	36	36	36	36	36	36	36	36	36	36	36	36
		90	35	35	35	35	35	35	35	35	35	35	35	35	35	35
Zone 3r		0	94	94	90	85	80	74	68	60	54	48	44	40	37	
		10	79	79	79	79	79	74	68	60	54	48	44	40	37	
		20	66	66	66	66	66	66	66	60	54	48	44	40	37	
		30	56	56	56	56	56	56	56	56	54	48	44	40	37	
		40	50	50	50	50	50	50	50	50	50	48	44	40	37	
		50	45	45	45	45	45	45	45	45	45	45	45	44	40	37
		60	42	42	42	42	42	42	42	42	42	42	42	42	40	37
		70	39	39	39	39	39	39	39	39	39	39	39	39	39	37
		80	36	36	36	36	36	36	36	36	36	36	36	36	36	36
		90	35	35	35	35	35	35	35	35	35	35	35	35	35	35

Notes:

1. Tables are based on critical rail span for load combinations as specified in chapter 2 of the ASCE 7-16 and allowable design loads per the 2015 Aluminum Design Manual.
2. Panels are assumed to be in portrait orientation with a maximum length of 82"

Max Rail Spans for SunModo SMR100 System

Roof Wind Zone		Ground Snow Load (psf)	Wind Speed (mph)													
			90	95	100	105	110	115	120	130	140	150	160	170	180	
Zones 1 & 2e		0	94	94	94	94	94	94	94	87	80	71	65	60	56	
		10	79	79	79	79	79	79	79	79	79	78	71	65	60	56
		20	66	66	66	66	66	66	66	66	66	66	64	63	60	56
		30	56	56	56	56	56	56	56	56	56	56	56	56	55	55
		40	50	50	50	50	50	50	50	50	50	50	50	50	50	50
		50	45	45	45	45	45	45	45	45	45	45	45	45	45	45
		60	42	42	42	42	42	42	42	42	42	42	42	42	42	42
		70	39	39	39	39	39	39	39	39	39	39	39	39	39	39
		80	36	36	36	36	36	36	36	36	36	36	36	36	36	36
		90	35	35	35	35	35	35	35	35	35	35	35	35	35	35
Zones 2h, 2r, & 3e		0	94	94	94	90	86	82	76	67	60	54	49	45	42	
		10	79	79	79	79	79	79	79	76	67	60	54	49	45	42
		20	66	66	66	66	66	66	66	66	66	60	54	49	45	42
		30	56	56	56	56	56	56	56	56	56	56	54	49	45	42
		40	50	50	50	50	50	50	50	50	50	50	50	49	45	42
		50	45	45	45	45	45	45	45	45	45	45	45	45	45	42
		60	42	42	42	42	42	42	42	42	42	42	42	42	42	42
		70	39	39	39	39	39	39	39	39	39	39	39	39	39	39
		80	36	36	36	36	36	36	36	36	36	36	36	36	36	36
		90	35	35	35	35	35	35	35	35	35	35	35	35	35	35
Zone 3r		0	94	94	90	86	80	74	69	60	54	48	44	40	37	
		10	79	79	79	79	79	74	69	60	54	48	44	40	37	
		20	66	66	66	66	66	66	66	60	54	48	44	40	37	
		30	56	56	56	56	56	56	56	56	54	48	44	40	37	
		40	50	50	50	50	50	50	50	50	50	48	44	40	37	
		50	45	45	45	45	45	45	45	45	45	45	45	44	40	37
		60	42	42	42	42	42	42	42	42	42	42	42	42	40	37
		70	39	39	39	39	39	39	39	39	39	39	39	39	39	37
		80	36	36	36	36	36	36	36	36	36	36	36	36	36	36
		90	35	35	35	35	35	35	35	35	35	35	35	35	35	35

Notes:

1. Tables are based on critical rail span for load combinations as specified in chapter 2 of the ASCE 7-16 and allowable design loads per the 2015 Aluminum Design Manual.
2. Panels are assumed to be in portrait orientation with a maximum length of 82"

Max Rail Spans for SunModo SMR100 System

Roof Wind Zone		Ground Snow Load (psf)	Wind Speed (mph)													
			90	95	100	105	110	115	120	130	140	150	160	170	180	
Zones 1 & 2e		0	94	94	92	88	84	79	74	66	60	54	50	47	43	
		10	79	79	79	79	79	79	79	74	66	60	54	50	47	43
		20	66	66	66	66	66	66	66	66	66	60	54	50	47	43
		30	56	56	56	56	56	56	56	56	56	56	54	50	47	43
		40	50	50	50	50	50	50	50	50	50	50	50	50	47	43
		50	45	45	45	45	45	45	45	45	45	45	45	45	45	43
		60	42	42	42	42	42	42	42	42	42	42	42	42	42	42
		70	39	39	39	39	39	39	39	39	39	39	39	39	39	39
		80	36	36	36	36	36	36	36	36	36	36	36	36	36	36
		90	35	35	35	35	35	35	35	35	35	35	35	35	35	35
Zones 2h, 2r, & 3e		0	86	80	74	68	63	59	55	49	45	40	37	34	32	
		10	79	79	74	68	63	59	55	49	45	40	37	34	32	
		20	66	66	66	66	63	59	55	49	45	40	37	34	32	
		30	56	56	56	56	56	56	55	49	45	40	37	34	32	
		40	50	50	50	50	50	50	50	49	45	40	37	34	32	
		50	45	45	45	45	45	45	45	45	45	45	40	37	34	32
		60	42	42	42	42	42	42	42	42	42	42	40	37	34	32
		70	39	39	39	39	39	39	39	39	39	39	39	37	34	32
		80	36	36	36	36	36	36	36	36	36	36	36	36	34	32
		90	35	35	35	35	35	35	35	35	35	35	35	35	34	32
Zone 3r		0	80	72	66	61	57	53	50	44	40	36	33	31	29	
		10	79	72	66	61	57	53	50	44	40	36	33	31	29	
		20	66	66	66	61	57	53	50	44	40	36	33	31	29	
		30	56	56	56	56	56	53	50	44	40	36	33	31	29	
		40	50	50	50	50	50	50	50	44	40	36	33	31	29	
		50	45	45	45	45	45	45	45	44	40	36	33	31	29	
		60	42	42	42	42	42	42	42	42	40	36	33	31	29	
		70	39	39	39	39	39	39	39	39	39	39	36	33	31	29
		80	36	36	36	36	36	36	36	36	36	36	36	33	31	29
		90	35	35	35	35	35	35	35	35	35	35	35	33	31	29

Notes:

1. Tables are based on critical rail span for load combinations as specified in chapter 2 of the ASCE 7-16 and allowable design loads per the 2015 Aluminum Design Manual.
2. Panels are assumed to be in portrait orientation with a maximum length of 82"

Max Rail Spans for SunModo SMR100 System

Table 57a		Mean Roof Height:	$h \leq 15$ ft										Panel Orientation:	Portrait	
		Roof Angle:	$20 < \theta \leq 27$ degrees										North/South Support	$X_E = 1$	
		Exposure Category:	D										Roof Type :	Gable	
Roof Wind Zone	Ground Snow Load (psf)	Wind Speed (mph)													
		90	95	100	105	110	115	120	130	140	150	160	170	180	
Zones 1 & 2e	0	94	94	94	94	93	89	86	77	69	63	57	53	50	
	10	79	79	79	79	79	79	79	77	69	63	57	53	50	
	20	66	66	66	66	66	66	66	65	64	63	57	53	50	
	30	56	56	56	56	56	56	56	56	56	56	55	53	50	
	40	50	50	50	50	50	50	50	50	50	50	50	49	48	
	50	45	45	45	45	45	45	45	45	45	45	45	45	45	
	60	42	42	42	42	42	42	42	42	42	42	42	42	42	
	70	39	39	39	39	39	39	39	39	39	39	39	39	39	
	80	36	36	36	36	36	36	36	36	36	36	36	36	36	
90	35	35	35	35	35	35	35	35	35	35	35	35	35		
Zones 2h, 2r, & 3e	0	94	91	86	81	75	70	65	58	52	47	43	39	37	
	10	79	79	79	79	75	70	65	58	52	47	43	39	37	
	20	66	66	66	66	66	66	65	58	52	47	43	39	37	
	30	56	56	56	56	56	56	56	56	52	47	43	39	37	
	40	50	50	50	50	50	50	50	50	50	47	43	39	37	
	50	45	45	45	45	45	45	45	45	45	45	43	39	37	
	60	42	42	42	42	42	42	42	42	42	42	42	39	37	
	70	39	39	39	39	39	39	39	39	39	39	39	39	37	
	80	36	36	36	36	36	36	36	36	36	36	36	36	36	
90	35	35	35	35	35	35	35	35	35	35	35	35	35		
Zone 3r	0	91	86	80	73	68	63	59	52	47	42	38	35	33	
	10	79	79	79	73	68	63	59	52	47	42	38	35	33	
	20	66	66	66	66	66	63	59	52	47	42	38	35	33	
	30	56	56	56	56	56	56	56	52	47	42	38	35	33	
	40	50	50	50	50	50	50	50	50	47	42	38	35	33	
	50	45	45	45	45	45	45	45	45	45	42	38	35	33	
	60	42	42	42	42	42	42	42	42	42	42	38	35	33	
	70	39	39	39	39	39	39	39	39	39	39	38	35	33	
	80	36	36	36	36	36	36	36	36	36	36	36	35	33	
90	35	35	35	35	35	35	35	35	35	35	35	35	33		

Notes:

1. Tables are based on critical rail span for load combinations as specified in chapter 2 of the ASCE 7-16 and allowable design loads per the 2015 Aluminum Design Manual.
2. Panels are assumed to be in portrait orientation with a maximum length of 82"

Max Rail Spans for SunModo SMR100 System

Table 57b		Mean Roof Height:	$h \leq 15$ ft										Panel Orientation:	Portrait	
		Roof Angle:	$20 < \theta \leq 27$ degrees										North/South Support	$X_E = 1.5$	
		Exposure Category:	D										Roof Type :	Gable	
Roof Wind Zone	Ground Snow Load (psf)	Wind Speed (mph)													
		90	95	100	105	110	115	120	130	140	150	160	170	180	
Zones 1 & 2e	0	93	88	84	78	73	68	64	58	53	48	45	41	39	
	10	79	79	79	78	73	68	64	58	53	48	45	41	39	
	20	66	66	66	66	66	66	64	58	53	48	45	41	39	
	30	56	56	56	56	56	56	56	56	53	48	45	41	39	
	40	50	50	50	50	50	50	50	50	50	48	45	41	39	
	50	45	45	45	45	45	45	45	45	45	45	45	45	41	39
	60	42	42	42	42	42	42	42	42	42	42	42	42	41	39
	70	39	39	39	39	39	39	39	39	39	39	39	39	39	39
	80	36	36	36	36	36	36	36	36	36	36	36	36	36	36
90	35	35	35	35	35	35	35	35	35	35	35	35	35	35	
Zones 2h, 2r, & 3e	0	75	68	63	59	55	51	48	43	39	36	33	31	29	
	10	75	68	63	59	55	51	48	43	39	36	33	31	29	
	20	66	66	63	59	55	51	48	43	39	36	33	31	29	
	30	56	56	56	56	55	51	48	43	39	36	33	31	29	
	40	50	50	50	50	50	50	48	43	39	36	33	31	29	
	50	45	45	45	45	45	45	45	43	39	36	33	31	29	
	60	42	42	42	42	42	42	42	42	39	36	33	31	29	
	70	39	39	39	39	39	39	39	39	39	36	33	31	29	
	80	36	36	36	36	36	36	36	36	36	36	33	31	29	
90	35	35	35	35	35	35	35	35	35	35	33	31	29		
Zone 3r	0	67	62	57	53	49	46	43	39	35	32	30	28	26	
	10	67	62	57	53	49	46	43	39	35	32	30	28	26	
	20	66	62	57	53	49	46	43	39	35	32	30	28	26	
	30	56	56	56	53	49	46	43	39	35	32	30	28	26	
	40	50	50	50	50	49	46	43	39	35	32	30	28	26	
	50	45	45	45	45	45	45	43	39	35	32	30	28	26	
	60	42	42	42	42	42	42	42	39	35	32	30	28	26	
	70	39	39	39	39	39	39	39	39	35	32	30	28	26	
	80	36	36	36	36	36	36	36	36	35	32	30	28	26	
90	35	35	35	35	35	35	35	35	35	32	30	28	26		

Notes:

1. Tables are based on critical rail span for load combinations as specified in chapter 2 of the ASCE 7-16 and allowable design loads per the 2015 Aluminum Design Manual.
2. Panels are assumed to be in portrait orientation with a maximum length of 82"

Max Rail Spans for SunModo SMR100 System

Roof Wind Zone		Ground Snow Load (psf)	Wind Speed (mph)														
			90	95	100	105	110	115	120	130	140	150	160	170	180		
Zones 1, 2e, & 2r		0	94	94	94	94	94	94	94	94	93	90	86	83	79	74	
		10	78	78	78	78	78	78	78	78	78	77	75	73	71	69	
		20	68	68	68	68	68	68	68	68	67	66	64	63	62	61	
		30	58	58	58	58	58	58	58	58	58	58	57	57	56	55	
		40	52	52	52	52	52	52	52	52	52	52	52	52	51	50	
		50	47	47	47	47	47	47	47	47	47	47	47	47	47	47	47
		60	43	43	43	43	43	43	43	43	43	43	43	43	43	43	43
		70	41	41	41	41	41	41	41	41	41	41	41	41	41	41	41
		80	38	38	38	38	38	38	38	38	38	38	38	38	38	38	38
		90	36	36	36	36	36	36	36	36	36	36	36	36	36	36	36
Zones 2n & 3r		0	94	94	94	94	94	94	94	94	93	90	84	78	71	65	
		10	78	78	78	78	78	78	78	78	78	77	75	73	71	65	
		20	68	68	68	68	68	68	68	68	67	66	64	63	62	61	
		30	58	58	58	58	58	58	58	58	58	58	57	57	56	55	
		40	52	52	52	52	52	52	52	52	52	52	52	52	51	50	
		50	47	47	47	47	47	47	47	47	47	47	47	47	47	47	47
		60	43	43	43	43	43	43	43	43	43	43	43	43	43	43	43
		70	41	41	41	41	41	41	41	41	41	41	41	41	41	41	41
		80	38	38	38	38	38	38	38	38	38	38	38	38	38	38	38
		90	36	36	36	36	36	36	36	36	36	36	36	36	36	36	36
Zone 3e		0	94	94	94	94	94	94	94	94	87	82	73	66	60	55	
		10	78	78	78	78	78	78	78	78	78	77	73	66	60	55	
		20	68	68	68	68	68	68	68	68	67	66	64	63	60	55	
		30	58	58	58	58	58	58	58	58	58	58	57	57	56	55	
		40	52	52	52	52	52	52	52	52	52	52	52	52	51	50	
		50	47	47	47	47	47	47	47	47	47	47	47	47	47	47	47
		60	43	43	43	43	43	43	43	43	43	43	43	43	43	43	43
		70	41	41	41	41	41	41	41	41	41	41	41	41	41	41	41
		80	38	38	38	38	38	38	38	38	38	38	38	38	38	38	38
		90	36	36	36	36	36	36	36	36	36	36	36	36	36	36	36

Notes:

1. Tables are based on critical rail span for load combinations as specified in chapter 2 of the ASCE 7-16 and allowable design loads per the 2015 Aluminum Design Manual.
2. Panels are assumed to be in portrait orientation with a maximum length of 82"

Max Rail Spans for SunModo SMR100 System

Roof Wind Zone		Ground Snow Load (psf)	Wind Speed (mph)													
			90	95	100	105	110	115	120	130	140	150	160	170	180	
Zones 1, 2e, & 2r		0	94	94	94	94	94	94	94	87	81	72	64	58	53	
		10	78	78	78	78	78	78	78	78	77	72	64	58	53	
		20	68	68	68	68	68	68	68	68	67	66	64	63	58	53
		30	58	58	58	58	58	58	58	58	58	58	57	57	56	53
		40	52	52	52	52	52	52	52	52	52	52	52	52	51	50
		50	47	47	47	47	47	47	47	47	47	47	47	47	47	47
		60	43	43	43	43	43	43	43	43	43	43	43	43	43	43
		70	41	41	41	41	41	41	41	41	41	41	41	41	41	41
		80	38	38	38	38	38	38	38	38	38	38	38	38	38	38
		90	36	36	36	36	36	36	36	36	36	36	36	36	36	36
Zones 2n & 3r		0	94	94	94	94	93	89	86	79	70	63	57	52	48	
		10	78	78	78	78	78	78	78	78	78	70	63	57	52	48
		20	68	68	68	68	68	68	68	68	67	66	63	57	52	48
		30	58	58	58	58	58	58	58	58	58	58	57	57	52	48
		40	52	52	52	52	52	52	52	52	52	52	52	52	51	48
		50	47	47	47	47	47	47	47	47	47	47	47	47	47	47
		60	43	43	43	43	43	43	43	43	43	43	43	43	43	43
		70	41	41	41	41	41	41	41	41	41	41	41	41	41	41
		80	38	38	38	38	38	38	38	38	38	38	38	38	38	38
		90	36	36	36	36	36	36	36	36	36	36	36	36	36	36
Zone 3e		0	94	94	92	88	85	81	76	67	59	54	49	45	42	
		10	78	78	78	78	78	78	78	76	67	59	54	49	45	42
		20	68	68	68	68	68	68	68	68	67	59	54	49	45	42
		30	58	58	58	58	58	58	58	58	58	58	54	49	45	42
		40	52	52	52	52	52	52	52	52	52	52	52	49	45	42
		50	47	47	47	47	47	47	47	47	47	47	47	47	45	42
		60	43	43	43	43	43	43	43	43	43	43	43	43	43	42
		70	41	41	41	41	41	41	41	41	41	41	41	41	41	41
		80	38	38	38	38	38	38	38	38	38	38	38	38	38	38
		90	36	36	36	36	36	36	36	36	36	36	36	36	36	36

Notes:

1. Tables are based on critical rail span for load combinations as specified in chapter 2 of the ASCE 7-16 and allowable design loads per the 2015 Aluminum Design Manual.
2. Panels are assumed to be in portrait orientation with a maximum length of 82"

Max Rail Spans for SunModo SMR100 System

Table 59a		Mean Roof Height: $h \leq 15$ ft											Panel Orientation: Portrait		
		Roof Angle: $27 < \theta \leq 45$ degrees											North/South Support $X_E = 1$		
		Exposure Category: C											Roof Type: Gable		
Roof Wind Zone	Ground Snow Load (psf)	Wind Speed (mph)													
		90	95	100	105	110	115	120	130	140	150	160	170	180	
Zones 1, 2e, & 2r	0	94	94	94	94	92	89	87	83	79	72	65	59	54	
	10	78	78	78	78	77	76	75	73	71	69	65	59	54	
	20	68	68	68	67	66	65	65	63	62	60	59	57	54	
	30	58	58	58	58	58	58	58	57	55	54	53	52	51	
	40	52	52	52	52	52	52	52	52	51	50	49	48	47	
	50	47	47	47	47	47	47	47	47	47	47	46	46	45	44
	60	43	43	43	43	43	43	43	43	43	43	43	43	42	42
	70	41	41	41	41	41	41	41	41	41	41	41	41	40	39
	80	38	38	38	38	38	38	38	38	38	38	38	38	38	38
90	36	36	36	36	36	36	36	36	36	36	36	36	36	36	
Zones 2n & 3r	0	94	94	94	94	92	89	86	79	70	63	57	53	49	
	10	78	78	78	78	77	76	75	73	70	63	57	53	49	
	20	68	68	68	67	66	65	65	63	62	60	57	53	49	
	30	58	58	58	58	58	58	58	57	55	54	53	52	49	
	40	52	52	52	52	52	52	52	52	51	50	49	48	47	
	50	47	47	47	47	47	47	47	47	47	47	46	46	45	44
	60	43	43	43	43	43	43	43	43	43	43	43	43	42	42
	70	41	41	41	41	41	41	41	41	41	41	41	41	40	39
	80	38	38	38	38	38	38	38	38	38	38	38	38	38	38
90	36	36	36	36	36	36	36	36	36	36	36	36	36	36	
Zone 3e	0	94	94	92	88	85	81	76	67	60	54	49	45	42	
	10	78	78	78	78	77	76	75	67	60	54	49	45	42	
	20	68	68	68	67	66	65	65	63	60	54	49	45	42	
	30	58	58	58	58	58	58	58	57	55	54	49	45	42	
	40	52	52	52	52	52	52	52	52	51	50	49	45	42	
	50	47	47	47	47	47	47	47	47	47	47	46	46	45	42
	60	43	43	43	43	43	43	43	43	43	43	43	43	42	42
	70	41	41	41	41	41	41	41	41	41	41	41	41	40	39
	80	38	38	38	38	38	38	38	38	38	38	38	38	38	38
90	36	36	36	36	36	36	36	36	36	36	36	36	36	36	

Notes:

1. Tables are based on critical rail span for load combinations as specified in chapter 2 of the ASCE 7-16 and allowable design loads per the 2015 Aluminum Design Manual.
2. Panels are assumed to be in portrait orientation with a maximum length of 82"

Max Rail Spans for SunModo SMR100 System

Table 59b		Mean Roof Height:	$h \leq 15$ ft										Panel Orientation:	Portrait	
		Roof Angle:	$27 < \theta \leq 45$ degrees										North/South Support	$X_E = 1.5$	
		Exposure Category:	C										Roof Type :	Gable	
Roof Wind Zone	Ground Snow Load (psf)	Wind Speed (mph)													
		90	95	100	105	110	115	120	130	140	150	160	170	180	
Zones 1, 2e, & 2r	0	94	94	92	88	84	81	75	65	58	52	47	43	40	
	10	78	78	78	78	77	76	75	65	58	52	47	43	40	
	20	68	68	68	67	66	65	65	63	58	52	47	43	40	
	30	58	58	58	58	58	58	58	57	55	52	47	43	40	
	40	52	52	52	52	52	52	52	52	51	50	47	43	40	
	50	47	47	47	47	47	47	47	47	47	46	46	43	40	
	60	43	43	43	43	43	43	43	43	43	43	43	43	42	40
	70	41	41	41	41	41	41	41	41	41	41	41	41	40	39
	80	38	38	38	38	38	38	38	38	38	38	38	38	38	38
90	36	36	36	36	36	36	36	36	36	36	36	36	36	36	
Zones 2n & 3r	0	93	89	85	81	75	70	65	58	52	47	43	40	37	
	10	78	78	78	78	75	70	65	58	52	47	43	40	37	
	20	68	68	68	67	66	65	65	58	52	47	43	40	37	
	30	58	58	58	58	58	58	58	57	52	47	43	40	37	
	40	52	52	52	52	52	52	52	52	51	47	43	40	37	
	50	47	47	47	47	47	47	47	47	47	46	43	40	37	
	60	43	43	43	43	43	43	43	43	43	43	43	43	40	37
	70	41	41	41	41	41	41	41	41	41	41	41	41	40	37
	80	38	38	38	38	38	38	38	38	38	38	38	38	38	37
90	36	36	36	36	36	36	36	36	36	36	36	36	36	36	
Zone 3e	0	85	80	74	68	63	59	56	49	45	41	37	34	32	
	10	78	78	74	68	63	59	56	49	45	41	37	34	32	
	20	68	68	68	67	63	59	56	49	45	41	37	34	32	
	30	58	58	58	58	58	58	56	49	45	41	37	34	32	
	40	52	52	52	52	52	52	52	49	45	41	37	34	32	
	50	47	47	47	47	47	47	47	47	45	41	37	34	32	
	60	43	43	43	43	43	43	43	43	43	41	37	34	32	
	70	41	41	41	41	41	41	41	41	41	41	37	34	32	
	80	38	38	38	38	38	38	38	38	38	38	37	34	32	
90	36	36	36	36	36	36	36	36	36	36	36	34	32		

Notes:

1. Tables are based on critical rail span for load combinations as specified in chapter 2 of the ASCE 7-16 and allowable design loads per the 2015 Aluminum Design Manual.
2. Panels are assumed to be in portrait orientation with a maximum length of 82"

Max Rail Spans for SunModo SMR100 System

Table 60a		Mean Roof Height: $h \leq 15$ ft						Panel Orientation: Portrait							
		Roof Angle: $27 < \theta \leq 45$ degrees						North/South Support $X_E = 1$							
		Exposure Category: D						Roof Type: Gable							
Roof Wind Zone	Ground Snow Load (psf)	Wind Speed (mph)													
		90	95	100	105	110	115	120	130	140	150	160	170	180	
Zones 1, 2e, & 2r	0	94	94	92	89	87	84	82	78	69	61	55	51	46	
	10	78	78	77	76	75	74	73	70	68	61	55	51	46	
	20	68	67	66	65	65	64	63	61	60	58	55	51	46	
	30	58	58	58	58	58	57	56	55	54	53	51	50	46	
	40	52	52	52	52	52	52	52	51	50	48	47	46	45	
	50	47	47	47	47	47	47	47	47	46	45	44	43	43	
	60	43	43	43	43	43	43	43	43	43	43	43	42	41	40
	70	41	41	41	41	41	41	41	41	41	41	40	40	39	38
	80	38	38	38	38	38	38	38	38	38	38	38	38	37	37
90	36	36	36	36	36	36	36	36	36	36	36	36	36	35	
Zones 2n & 3r	0	94	94	92	89	85	82	77	68	61	55	50	46	42	
	10	78	78	77	76	75	74	73	68	61	55	50	46	42	
	20	68	67	66	65	65	64	63	61	60	55	50	46	42	
	30	58	58	58	58	58	57	56	55	54	53	50	46	42	
	40	52	52	52	52	52	52	52	51	50	48	47	46	42	
	50	47	47	47	47	47	47	47	47	46	45	44	43	42	
	60	43	43	43	43	43	43	43	43	43	43	43	42	41	40
	70	41	41	41	41	41	41	41	41	41	41	40	40	39	38
	80	38	38	38	38	38	38	38	38	38	38	38	38	37	37
90	36	36	36	36	36	36	36	36	36	36	36	36	36	35	
Zone 3e	0	93	89	85	81	75	70	65	58	52	47	43	40	37	
	10	78	78	77	76	75	70	65	58	52	47	43	40	37	
	20	68	67	66	65	65	64	63	58	52	47	43	40	37	
	30	58	58	58	58	58	57	56	55	52	47	43	40	37	
	40	52	52	52	52	52	52	52	51	50	47	43	40	37	
	50	47	47	47	47	47	47	47	47	46	45	43	40	37	
	60	43	43	43	43	43	43	43	43	43	43	43	42	40	37
	70	41	41	41	41	41	41	41	41	41	41	40	40	39	37
	80	38	38	38	38	38	38	38	38	38	38	38	38	37	37
90	36	36	36	36	36	36	36	36	36	36	36	36	36	35	

Notes:

1. Tables are based on critical rail span for load combinations as specified in chapter 2 of the ASCE 7-16 and allowable design loads per the 2015 Aluminum Design Manual.
2. Panels are assumed to be in portrait orientation with a maximum length of 82"

Max Rail Spans for SunModo SMR100 System

Roof Wind Zone		Ground Snow Load (psf)	Wind Speed (mph)													
			90	95	100	105	110	115	120	130	140	150	160	170	180	
Zones 1, 2e, & 2r		0	93	89	84	80	74	68	63	56	50	45	41	38	35	
		10	78	78	77	76	74	68	63	56	50	45	41	38	35	
		20	68	67	66	65	65	64	63	56	50	45	41	38	35	
		30	58	58	58	58	58	57	56	55	50	45	41	38	35	
		40	52	52	52	52	52	52	52	51	50	45	41	38	35	
		50	47	47	47	47	47	47	47	47	46	45	41	38	35	
		60	43	43	43	43	43	43	43	43	43	43	41	38	35	
		70	41	41	41	41	41	41	41	41	41	40	40	38	35	
		80	38	38	38	38	38	38	38	38	38	38	38	38	37	35
		90	36	36	36	36	36	36	36	36	36	36	36	36	36	35
Zones 2n & 3r		0	85	81	75	69	64	60	57	50	45	41	38	35	33	
		10	78	78	75	69	64	60	57	50	45	41	38	35	33	
		20	68	67	66	65	64	60	57	50	45	41	38	35	33	
		30	58	58	58	58	58	57	56	50	45	41	38	35	33	
		40	52	52	52	52	52	52	52	50	45	41	38	35	33	
		50	47	47	47	47	47	47	47	47	45	41	38	35	33	
		60	43	43	43	43	43	43	43	43	43	41	38	35	33	
		70	41	41	41	41	41	41	41	41	41	40	38	35	33	
		80	38	38	38	38	38	38	38	38	38	38	38	38	35	33
		90	36	36	36	36	36	36	36	36	36	36	36	36	35	33
Zone 3e		0	75	68	63	59	55	51	48	43	39	36	33	31	29	
		10	75	68	63	59	55	51	48	43	39	36	33	31	29	
		20	68	67	63	59	55	51	48	43	39	36	33	31	29	
		30	58	58	58	58	55	51	48	43	39	36	33	31	29	
		40	52	52	52	52	52	51	48	43	39	36	33	31	29	
		50	47	47	47	47	47	47	47	43	39	36	33	31	29	
		60	43	43	43	43	43	43	43	43	39	36	33	31	29	
		70	41	41	41	41	41	41	41	41	39	36	33	31	29	
		80	38	38	38	38	38	38	38	38	38	36	33	31	29	
		90	36	36	36	36	36	36	36	36	36	36	33	31	29	

Notes:

1. Tables are based on critical rail span for load combinations as specified in chapter 2 of the ASCE 7-16 and allowable design loads per the 2015 Aluminum Design Manual.
2. Panels are assumed to be in portrait orientation with a maximum length of 82"

Max Rail Spans for SunModo SMR100 System

Table 61a		Mean Roof Height:	$h \leq 15$ ft							Panel Orientation:	Portrait				
		Roof Angle:	$7 < \theta \leq 20$ degrees							North/South Support	$X_E = 1$				
		Exposure Category:	B							Roof Type :	Hip $h/B = \geq 0.8$				
Roof Wind Zone	Ground Snow Load (psf)	Wind Speed (mph)													
		90	95	100	105	110	115	120	130	140	150	160	170	180	
Zone 1	0	94	94	94	94	94	94	94	94	92	84	75	68	63	
	10	73	73	73	73	73	73	73	73	73	72	71	68	63	
	20	56	56	56	56	56	56	56	56	56	56	56	56	56	
	30	56	56	56	56	56	56	56	56	56	56	56	56	56	
	40	50	50	50	50	50	50	50	50	50	50	50	50	50	
	50	45	45	45	45	45	45	45	45	45	45	45	45	45	
	60	42	42	42	42	42	42	42	42	42	42	42	42	42	
	70	39	39	39	39	39	39	39	39	39	39	39	39	39	
	80	36	36	36	36	36	36	36	36	36	36	36	36	36	
90	34	34	34	34	34	34	34	34	34	34	34	34	34		
Zone 2r	0	94	94	94	94	94	94	94	89	80	72	66	60	55	
	10	73	73	73	73	73	73	73	73	73	72	66	60	55	
	20	56	56	56	56	56	56	56	56	56	56	56	56	55	
	30	56	56	56	56	56	56	56	56	56	56	56	56	55	
	40	50	50	50	50	50	50	50	50	50	50	50	50	50	
	50	45	45	45	45	45	45	45	45	45	45	45	45	45	
	60	42	42	42	42	42	42	42	42	42	42	42	42	42	
	70	39	39	39	39	39	39	39	39	39	39	39	39	39	
	80	36	36	36	36	36	36	36	36	36	36	36	36	36	
90	34	34	34	34	34	34	34	34	34	34	34	34	34		
Zones 2e & 3	0	94	94	94	94	94	94	93	85	75	68	62	57	52	
	10	73	73	73	73	73	73	73	73	73	68	62	57	52	
	20	56	56	56	56	56	56	56	56	56	56	56	56	52	
	30	56	56	56	56	56	56	56	56	56	56	56	56	52	
	40	50	50	50	50	50	50	50	50	50	50	50	50	50	
	50	45	45	45	45	45	45	45	45	45	45	45	45	45	
	60	42	42	42	42	42	42	42	42	42	42	42	42	42	
	70	39	39	39	39	39	39	39	39	39	39	39	39	39	
	80	36	36	36	36	36	36	36	36	36	36	36	36	36	
90	34	34	34	34	34	34	34	34	34	34	34	34	34		

Notes:

1. Tables are based on critical rail span for load combinations as specified in chapter 2 of the ASCE 7-16 and allowable design loads per the 2015 Aluminum Design Manual.
2. Panels are assumed to be in portrait orientation with a maximum length of 82"

Max Rail Spans for SunModo SMR100 System

Roof Wind Zone		Ground Snow Load (psf)	Wind Speed (mph)													
			90	95	100	105	110	115	120	130	140	150	160	170	180	
Zone 1		0	94	94	94	94	94	91	87	76	68	62	57	53	49	
		10	73	73	73	73	73	73	73	73	68	62	57	53	49	
		20	56	56	56	56	56	56	56	56	56	56	56	53	49	
		30	56	56	56	56	56	56	56	56	56	56	56	56	53	49
		40	50	50	50	50	50	50	50	50	50	50	50	50	50	49
		50	45	45	45	45	45	45	45	45	45	45	45	45	45	45
		60	42	42	42	42	42	42	42	42	42	42	42	42	42	42
		70	39	39	39	39	39	39	39	39	39	39	39	39	39	39
		80	36	36	36	36	36	36	36	36	36	36	36	36	36	36
		90	34	34	34	34	34	34	34	34	34	34	34	34	34	34
Zone 2r		0	94	94	94	90	85	79	74	66	59	54	49	45	42	
		10	73	73	73	73	73	73	73	66	59	54	49	45	42	
		20	56	56	56	56	56	56	56	56	56	54	49	45	42	
		30	56	56	56	56	56	56	56	56	56	54	49	45	42	
		40	50	50	50	50	50	50	50	50	50	50	49	45	42	
		50	45	45	45	45	45	45	45	45	45	45	45	45	45	42
		60	42	42	42	42	42	42	42	42	42	42	42	42	42	42
		70	39	39	39	39	39	39	39	39	39	39	39	39	39	39
		80	36	36	36	36	36	36	36	36	36	36	36	36	36	36
		90	34	34	34	34	34	34	34	34	34	34	34	34	34	34
Zones 2e & 3		0	94	94	91	86	80	75	70	62	56	51	47	43	40	
		10	73	73	73	73	73	73	70	62	56	51	47	43	40	
		20	56	56	56	56	56	56	56	56	56	51	47	43	40	
		30	56	56	56	56	56	56	56	56	56	51	47	43	40	
		40	50	50	50	50	50	50	50	50	50	50	47	43	40	
		50	45	45	45	45	45	45	45	45	45	45	45	45	43	40
		60	42	42	42	42	42	42	42	42	42	42	42	42	42	40
		70	39	39	39	39	39	39	39	39	39	39	39	39	39	39
		80	36	36	36	36	36	36	36	36	36	36	36	36	36	36
		90	34	34	34	34	34	34	34	34	34	34	34	34	34	34

Notes:

1. Tables are based on critical rail span for load combinations as specified in chapter 2 of the ASCE 7-16 and allowable design loads per the 2015 Aluminum Design Manual.
2. Panels are assumed to be in portrait orientation with a maximum length of 82"

Max Rail Spans for SunModo SMR100 System

Table 62a		Mean Roof Height: $h \leq 15$ ft											Panel Orientation: Portrait		
		Roof Angle: $7 < \theta \leq 20$ degrees											North/South Support $X_E = 1$		
		Exposure Category: C											Roof Type: Hip $h/B = \geq 0.8$		
Roof Wind Zone	Ground Snow Load (psf)	Wind Speed (mph)													
		90	95	100	105	110	115	120	130	140	150	160	170	180	
Zone 1	0	94	94	94	94	94	91	88	76	68	62	57	53	49	
	10	73	73	73	73	73	73	72	71	68	62	57	53	49	
	20	56	56	56	56	56	56	56	56	56	56	55	53	49	
	30	56	56	56	56	56	56	56	56	56	56	55	53	49	
	40	50	50	50	50	50	50	50	50	50	50	50	49	48	
	50	45	45	45	45	45	45	45	45	45	45	45	45	45	45
	60	42	42	42	42	42	42	42	42	42	42	42	42	42	42
	70	39	39	39	39	39	39	39	39	39	39	39	39	39	39
	80	36	36	36	36	36	36	36	36	36	36	36	36	36	36
90	34	34	34	34	34	34	34	34	34	34	34	34	34	34	
Zone 2r	0	94	94	94	90	86	80	75	66	60	54	50	46	42	
	10	73	73	73	73	73	73	72	66	60	54	50	46	42	
	20	56	56	56	56	56	56	56	56	56	54	50	46	42	
	30	56	56	56	56	56	56	56	56	56	54	50	46	42	
	40	50	50	50	50	50	50	50	50	50	50	50	46	42	
	50	45	45	45	45	45	45	45	45	45	45	45	45	42	
	60	42	42	42	42	42	42	42	42	42	42	42	42	42	
	70	39	39	39	39	39	39	39	39	39	39	39	39	39	
	80	36	36	36	36	36	36	36	36	36	36	36	36	36	
90	34	34	34	34	34	34	34	34	34	34	34	34	34		
Zones 2e & 3	0	94	94	91	87	80	75	70	63	56	51	47	43	40	
	10	73	73	73	73	73	73	70	63	56	51	47	43	40	
	20	56	56	56	56	56	56	56	56	56	51	47	43	40	
	30	56	56	56	56	56	56	56	56	56	51	47	43	40	
	40	50	50	50	50	50	50	50	50	50	50	47	43	40	
	50	45	45	45	45	45	45	45	45	45	45	45	43	40	
	60	42	42	42	42	42	42	42	42	42	42	42	42	40	
	70	39	39	39	39	39	39	39	39	39	39	39	39	39	
	80	36	36	36	36	36	36	36	36	36	36	36	36	36	
90	34	34	34	34	34	34	34	34	34	34	34	34	34		

Notes:

1. Tables are based on critical rail span for load combinations as specified in chapter 2 of the ASCE 7-16 and allowable design loads per the 2015 Aluminum Design Manual.
2. Panels are assumed to be in portrait orientation with a maximum length of 82"

Max Rail Spans for SunModo SMR100 System

Roof Wind Zone		Ground Snow Load (psf)	Wind Speed (mph)													
			90	95	100	105	110	115	120	130	140	150	160	170	180	
Zone 1		0	94	90	84	78	72	67	64	58	52	48	45	41	39	
		10	73	73	73	73	72	67	64	58	52	48	45	41	39	
		20	56	56	56	56	56	56	56	56	52	48	45	41	39	
		30	56	56	56	56	56	56	56	56	52	48	45	41	39	
		40	50	50	50	50	50	50	50	50	50	48	45	41	39	
		50	45	45	45	45	45	45	45	45	45	45	45	45	41	39
		60	42	42	42	42	42	42	42	42	42	42	42	42	41	39
		70	39	39	39	39	39	39	39	39	39	39	39	39	39	39
		80	36	36	36	36	36	36	36	36	36	36	36	36	36	36
		90	34	34	34	34	34	34	34	34	34	34	34	34	34	34
Zone 2r		0	85	78	72	67	63	59	56	50	45	41	38	35	33	
		10	73	73	72	67	63	59	56	50	45	41	38	35	33	
		20	56	56	56	56	56	56	56	50	45	41	38	35	33	
		30	56	56	56	56	56	56	56	50	45	41	38	35	33	
		40	50	50	50	50	50	50	50	50	45	41	38	35	33	
		50	45	45	45	45	45	45	45	45	45	45	41	38	35	33
		60	42	42	42	42	42	42	42	42	42	42	41	38	35	33
		70	39	39	39	39	39	39	39	39	39	39	39	38	35	33
		80	36	36	36	36	36	36	36	36	36	36	36	36	35	33
		90	34	34	34	34	34	34	34	34	34	34	34	34	34	33
Zones 2e & 3		0	80	74	68	64	59	56	53	47	43	39	36	33	32	
		10	73	73	68	64	59	56	53	47	43	39	36	33	32	
		20	56	56	56	56	56	56	53	47	43	39	36	33	32	
		30	56	56	56	56	56	56	53	47	43	39	36	33	32	
		40	50	50	50	50	50	50	50	47	43	39	36	33	32	
		50	45	45	45	45	45	45	45	45	43	39	36	33	32	
		60	42	42	42	42	42	42	42	42	42	39	36	33	32	
		70	39	39	39	39	39	39	39	39	39	39	36	33	32	
		80	36	36	36	36	36	36	36	36	36	36	36	36	33	32
		90	34	34	34	34	34	34	34	34	34	34	34	34	33	32

Notes:

1. Tables are based on critical rail span for load combinations as specified in chapter 2 of the ASCE 7-16 and allowable design loads per the 2015 Aluminum Design Manual.
2. Panels are assumed to be in portrait orientation with a maximum length of 82"

Max Rail Spans for SunModo SMR100 System

Roof Wind Zone		Ground Snow Load (psf)	Wind Speed (mph)													
			90	95	100	105	110	115	120	130	140	150	160	170	180	
Zone 1		0	94	94	94	91	86	80	74	66	60	55	51	47	44	
		10	73	73	73	73	72	71	70	66	60	55	51	47	44	
		20	56	56	56	56	56	56	56	56	55	54	51	47	44	
		30	56	56	56	56	56	56	56	56	55	54	51	47	44	
		40	50	50	50	50	50	50	50	50	50	49	48	47	44	
		50	45	45	45	45	45	45	45	45	45	45	45	45	44	43
		60	42	42	42	42	42	42	42	42	42	42	42	42	41	41
		70	39	39	39	39	39	39	39	39	39	39	39	39	39	39
		80	36	36	36	36	36	36	36	36	36	36	36	36	36	36
		90	34	34	34	34	34	34	34	34	34	34	34	34	34	34
Zone 2r		0	94	91	86	79	74	69	65	58	52	47	44	40	37	
		10	73	73	73	73	72	69	65	58	52	47	44	40	37	
		20	56	56	56	56	56	56	56	56	52	47	44	40	37	
		30	56	56	56	56	56	56	56	56	52	47	44	40	37	
		40	50	50	50	50	50	50	50	50	50	47	44	40	37	
		50	45	45	45	45	45	45	45	45	45	45	45	44	40	37
		60	42	42	42	42	42	42	42	42	42	42	42	42	40	37
		70	39	39	39	39	39	39	39	39	39	39	39	39	39	37
		80	36	36	36	36	36	36	36	36	36	36	36	36	36	36
		90	34	34	34	34	34	34	34	34	34	34	34	34	34	34
Zones 2e & 3		0	92	87	80	74	69	65	61	55	49	45	41	38	35	
		10	73	73	73	73	69	65	61	55	49	45	41	38	35	
		20	56	56	56	56	56	56	56	55	49	45	41	38	35	
		30	56	56	56	56	56	56	56	55	49	45	41	38	35	
		40	50	50	50	50	50	50	50	50	49	45	41	38	35	
		50	45	45	45	45	45	45	45	45	45	45	45	41	38	35
		60	42	42	42	42	42	42	42	42	42	42	42	41	38	35
		70	39	39	39	39	39	39	39	39	39	39	39	39	38	35
		80	36	36	36	36	36	36	36	36	36	36	36	36	36	35
		90	34	34	34	34	34	34	34	34	34	34	34	34	34	34

Notes:

1. Tables are based on critical rail span for load combinations as specified in chapter 2 of the ASCE 7-16 and allowable design loads per the 2015 Aluminum Design Manual.
2. Panels are assumed to be in portrait orientation with a maximum length of 82"

Max Rail Spans for SunModo SMR100 System

Roof Wind Zone		Ground Snow Load (psf)	Wind Speed (mph)														
			90	95	100	105	110	115	120	130	140	150	160	170	180		
Zone 1		0	86	78	72	67	63	60	56	51	47	43	40	37	35		
		10	73	73	72	67	63	60	56	51	47	43	40	37	35		
		20	56	56	56	56	56	56	56	56	51	47	43	40	37	35	
		30	56	56	56	56	56	56	56	56	51	47	43	40	37	35	
		40	50	50	50	50	50	50	50	50	50	47	43	40	37	35	
		50	45	45	45	45	45	45	45	45	45	45	43	40	37	35	
		60	42	42	42	42	42	42	42	42	42	42	42	40	37	35	
		70	39	39	39	39	39	39	39	39	39	39	39	39	39	37	35
		80	36	36	36	36	36	36	36	36	36	36	36	36	36	36	35
		90	34	34	34	34	34	34	34	34	34	34	34	34	34	34	34
Zone 2r		0	73	68	63	59	55	52	49	44	40	36	34	32	30		
		10	73	68	63	59	55	52	49	44	40	36	34	32	30		
		20	56	56	56	56	55	52	49	44	40	36	34	32	30		
		30	56	56	56	56	55	52	49	44	40	36	34	32	30		
		40	50	50	50	50	50	50	49	44	40	36	34	32	30		
		50	45	45	45	45	45	45	45	44	40	36	34	32	30		
		60	42	42	42	42	42	42	42	42	40	36	34	32	30		
		70	39	39	39	39	39	39	39	39	39	39	36	34	32	30	
		80	36	36	36	36	36	36	36	36	36	36	36	34	32	30	
		90	34	34	34	34	34	34	34	34	34	34	34	34	32	30	
Zones 2e & 3		0	69	64	59	55	52	49	46	42	38	34	32	30	29		
		10	69	64	59	55	52	49	46	42	38	34	32	30	29		
		20	56	56	56	55	52	49	46	42	38	34	32	30	29		
		30	56	56	56	55	52	49	46	42	38	34	32	30	29		
		40	50	50	50	50	50	49	46	42	38	34	32	30	29		
		50	45	45	45	45	45	45	45	45	42	38	34	32	30	29	
		60	42	42	42	42	42	42	42	42	42	38	34	32	30	29	
		70	39	39	39	39	39	39	39	39	39	38	34	32	30	29	
		80	36	36	36	36	36	36	36	36	36	36	34	32	30	29	
		90	34	34	34	34	34	34	34	34	34	34	34	32	30	29	

Notes:

1. Tables are based on critical rail span for load combinations as specified in chapter 2 of the ASCE 7-16 and allowable design loads per the 2015 Aluminum Design Manual.
2. Panels are assumed to be in portrait orientation with a maximum length of 82"

Max Rail Spans for SunModo SMR100 System

Table 64a		Mean Roof Height:	$h \leq 15$ ft										Panel Orientation:	Portrait	
		Roof Angle:	$7 < \theta \leq 20$ degrees										North/South Support	$X_E = 1$	
		Exposure Category:	B										Roof Type :	Hip $h/B = \leq 0.5$	
Roof Wind Zone	Ground Snow Load (psf)	Wind Speed (mph)													
		90	95	100	105	110	115	120	130	140	150	160	170	180	
Zone 1	0	94	94	94	94	94	94	94	94	94	94	93	87	80	
	10	73	73	73	73	73	73	73	73	73	73	72	69	67	66
	20	56	56	56	56	56	56	56	56	56	56	56	56	56	55
	30	56	56	56	56	56	56	56	56	56	56	56	56	56	55
	40	50	50	50	50	50	50	50	50	50	50	50	50	50	50
	50	45	45	45	45	45	45	45	45	45	45	45	45	45	45
	60	42	42	42	42	42	42	42	42	42	42	42	42	42	42
	70	39	39	39	39	39	39	39	39	39	39	39	39	39	39
	80	36	36	36	36	36	36	36	36	36	36	36	36	36	36
90	34	34	34	34	34	34	34	34	34	34	34	34	34	34	
Zone 2r	0	94	94	94	94	94	94	94	89	80	72	66	60	55	
	10	73	73	73	73	73	73	73	73	73	72	66	60	55	
	20	56	56	56	56	56	56	56	56	56	56	56	56	55	
	30	56	56	56	56	56	56	56	56	56	56	56	56	55	
	40	50	50	50	50	50	50	50	50	50	50	50	50	50	
	50	45	45	45	45	45	45	45	45	45	45	45	45	45	
	60	42	42	42	42	42	42	42	42	42	42	42	42	42	
	70	39	39	39	39	39	39	39	39	39	39	39	39	39	
	80	36	36	36	36	36	36	36	36	36	36	36	36	36	
90	34	34	34	34	34	34	34	34	34	34	34	34	34		
Zones 2e & 3	0	94	94	94	94	94	94	94	94	94	88	80	73	67	
	10	73	73	73	73	73	73	73	73	73	72	69	67	66	
	20	56	56	56	56	56	56	56	56	56	56	56	56	55	
	30	56	56	56	56	56	56	56	56	56	56	56	56	55	
	40	50	50	50	50	50	50	50	50	50	50	50	50	50	
	50	45	45	45	45	45	45	45	45	45	45	45	45	45	
	60	42	42	42	42	42	42	42	42	42	42	42	42	42	
	70	39	39	39	39	39	39	39	39	39	39	39	39	39	
	80	36	36	36	36	36	36	36	36	36	36	36	36	36	
90	34	34	34	34	34	34	34	34	34	34	34	34	34		

Notes:

1. Tables are based on critical rail span for load combinations as specified in chapter 2 of the ASCE 7-16 and allowable design loads per the 2015 Aluminum Design Manual.
2. Panels are assumed to be in portrait orientation with a maximum length of 82"

Max Rail Spans for SunModo SMR100 System

Table 64b		Mean Roof Height:	$h \leq 15$ ft										Panel Orientation:	Portrait	
		Roof Angle:	$7 < \theta \leq 20$ degrees										North/South Support	$X_E = 1.5$	
		Exposure Category:	B										Roof Type :	Hip $h/B = \leq 0.5$	
Roof Wind Zone	Ground Snow Load (psf)	Wind Speed (mph)													
		90	95	100	105	110	115	120	130	140	150	160	170	180	
Zone 1	0	94	94	94	94	94	94	94	93	86	77	70	65	60	
	10	73	73	73	73	73	73	73	73	73	72	69	65	60	
	20	56	56	56	56	56	56	56	56	56	56	56	56	55	
	30	56	56	56	56	56	56	56	56	56	56	56	56	55	
	40	50	50	50	50	50	50	50	50	50	50	50	50	50	
	50	45	45	45	45	45	45	45	45	45	45	45	45	45	
	60	42	42	42	42	42	42	42	42	42	42	42	42	42	
	70	39	39	39	39	39	39	39	39	39	39	39	39	39	
	80	36	36	36	36	36	36	36	36	36	36	36	36	36	
90	34	34	34	34	34	34	34	34	34	34	34	34	34		
Zone 2r	0	94	94	94	90	85	79	74	66	59	54	49	45	42	
	10	73	73	73	73	73	73	73	66	59	54	49	45	42	
	20	56	56	56	56	56	56	56	56	56	54	49	45	42	
	30	56	56	56	56	56	56	56	56	56	54	49	45	42	
	40	50	50	50	50	50	50	50	50	50	50	49	45	42	
	50	45	45	45	45	45	45	45	45	45	45	45	45	42	
	60	42	42	42	42	42	42	42	42	42	42	42	42	42	
	70	39	39	39	39	39	39	39	39	39	39	39	39	39	
	80	36	36	36	36	36	36	36	36	36	36	36	36	36	
90	34	34	34	34	34	34	34	34	34	34	34	34	34		
Zones 2e & 3	0	94	94	94	94	94	94	90	81	72	65	60	55	51	
	10	73	73	73	73	73	73	73	73	72	65	60	55	51	
	20	56	56	56	56	56	56	56	56	56	56	56	55	51	
	30	56	56	56	56	56	56	56	56	56	56	56	55	51	
	40	50	50	50	50	50	50	50	50	50	50	50	50	50	
	50	45	45	45	45	45	45	45	45	45	45	45	45	45	
	60	42	42	42	42	42	42	42	42	42	42	42	42	42	
	70	39	39	39	39	39	39	39	39	39	39	39	39	39	
	80	36	36	36	36	36	36	36	36	36	36	36	36	36	
90	34	34	34	34	34	34	34	34	34	34	34	34	34		

Notes:

1. Tables are based on critical rail span for load combinations as specified in chapter 2 of the ASCE 7-16 and allowable design loads per the 2015 Aluminum Design Manual.
2. Panels are assumed to be in portrait orientation with a maximum length of 82"

Max Rail Spans for SunModo SMR100 System

Table 65a		Mean Roof Height:	$h \leq 15$ ft		Panel Orientation:	Portrait									
		Roof Angle:	$7 < \theta \leq 20$ degrees		North/South Support	$X_E = 1$									
		Exposure Category:	C		Roof Type :	Hip $h/B = \leq 0.5$									
Roof Wind Zone	Ground Snow Load (psf)	Wind Speed (mph)													
		90	95	100	105	110	115	120	130	140	150	160	170	180	
Zone 1	0	94	94	94	94	94	94	94	93	87	78	71	65	61	
	10	73	73	73	73	73	73	72	69	67	66	64	62	61	
	20	56	56	56	56	56	56	56	56	56	55	54	53	52	
	30	56	56	56	56	56	56	56	56	56	55	54	53	52	
	40	50	50	50	50	50	50	50	50	50	50	49	48	48	
	50	45	45	45	45	45	45	45	45	45	45	45	45	45	44
	60	42	42	42	42	42	42	42	42	42	42	42	42	42	42
	70	39	39	39	39	39	39	39	39	39	39	39	39	39	39
	80	36	36	36	36	36	36	36	36	36	36	36	36	36	36
90	34	34	34	34	34	34	34	34	34	34	34	34	34	34	
Zone 2r	0	94	94	94	90	86	80	75	66	60	54	50	46	42	
	10	73	73	73	73	73	73	72	66	60	54	50	46	42	
	20	56	56	56	56	56	56	56	56	56	54	50	46	42	
	30	56	56	56	56	56	56	56	56	56	54	50	46	42	
	40	50	50	50	50	50	50	50	50	50	50	49	46	42	
	50	45	45	45	45	45	45	45	45	45	45	45	45	45	42
	60	42	42	42	42	42	42	42	42	42	42	42	42	42	42
	70	39	39	39	39	39	39	39	39	39	39	39	39	39	39
	80	36	36	36	36	36	36	36	36	36	36	36	36	36	36
90	34	34	34	34	34	34	34	34	34	34	34	34	34	34	
Zones 2e & 3	0	94	94	94	94	94	94	90	81	73	66	60	55	51	
	10	73	73	73	73	73	73	72	69	67	66	60	55	51	
	20	56	56	56	56	56	56	56	56	56	55	54	53	51	
	30	56	56	56	56	56	56	56	56	56	55	54	53	51	
	40	50	50	50	50	50	50	50	50	50	50	49	48	48	
	50	45	45	45	45	45	45	45	45	45	45	45	45	45	44
	60	42	42	42	42	42	42	42	42	42	42	42	42	42	42
	70	39	39	39	39	39	39	39	39	39	39	39	39	39	39
	80	36	36	36	36	36	36	36	36	36	36	36	36	36	36
90	34	34	34	34	34	34	34	34	34	34	34	34	34	34	

Notes:

1. Tables are based on critical rail span for load combinations as specified in chapter 2 of the ASCE 7-16 and allowable design loads per the 2015 Aluminum Design Manual.
2. Panels are assumed to be in portrait orientation with a maximum length of 82"

Max Rail Spans for SunModo SMR100 System

Table 65b		Mean Roof Height:	$h \leq 15$ ft										Panel Orientation:	Portrait	
		Roof Angle:	$7 < \theta \leq 20$ degrees										North/South Support	$X_E = 1.5$	
		Exposure Category:	C										Roof Type :	Hip $h/B = \leq 0.5$	
Roof Wind Zone	Ground Snow Load (psf)	Wind Speed (mph)													
		90	95	100	105	110	115	120	130	140	150	160	170	180	
Zone 1	0	94	94	94	94	90	86	80	71	64	59	54	50	47	
	10	73	73	73	73	73	73	72	69	64	59	54	50	47	
	20	56	56	56	56	56	56	56	56	56	55	54	50	47	
	30	56	56	56	56	56	56	56	56	56	55	54	50	47	
	40	50	50	50	50	50	50	50	50	50	50	49	48	47	
	50	45	45	45	45	45	45	45	45	45	45	45	45	44	
	60	42	42	42	42	42	42	42	42	42	42	42	42	42	
	70	39	39	39	39	39	39	39	39	39	39	39	39	39	
	80	36	36	36	36	36	36	36	36	36	36	36	36	36	
90	34	34	34	34	34	34	34	34	34	34	34	34	34		
Zone 2r	0	85	78	72	67	63	59	56	50	45	41	38	35	33	
	10	73	73	72	67	63	59	56	50	45	41	38	35	33	
	20	56	56	56	56	56	56	56	50	45	41	38	35	33	
	30	56	56	56	56	56	56	56	50	45	41	38	35	33	
	40	50	50	50	50	50	50	50	50	45	41	38	35	33	
	50	45	45	45	45	45	45	45	45	45	41	38	35	33	
	60	42	42	42	42	42	42	42	42	42	41	38	35	33	
	70	39	39	39	39	39	39	39	39	39	39	38	35	33	
	80	36	36	36	36	36	36	36	36	36	36	36	35	33	
90	34	34	34	34	34	34	34	34	34	34	34	34	33		
Zones 2e & 3	0	94	93	88	82	77	72	68	60	54	50	46	42	39	
	10	73	73	73	73	73	72	68	60	54	50	46	42	39	
	20	56	56	56	56	56	56	56	56	54	50	46	42	39	
	30	56	56	56	56	56	56	56	56	54	50	46	42	39	
	40	50	50	50	50	50	50	50	50	50	50	46	42	39	
	50	45	45	45	45	45	45	45	45	45	45	45	42	39	
	60	42	42	42	42	42	42	42	42	42	42	42	42	39	
	70	39	39	39	39	39	39	39	39	39	39	39	39	39	
	80	36	36	36	36	36	36	36	36	36	36	36	36	36	
90	34	34	34	34	34	34	34	34	34	34	34	34	34		

Notes:

1. Tables are based on critical rail span for load combinations as specified in chapter 2 of the ASCE 7-16 and allowable design loads per the 2015 Aluminum Design Manual.
2. Panels are assumed to be in portrait orientation with a maximum length of 82"

Max Rail Spans for SunModo SMR100 System

Table 66a		Mean Roof Height:	$h \leq 15$ ft										Panel Orientation:	Portrait	
		Roof Angle:	$7 < \theta \leq 20$ degrees										North/South Support	$X_E = 1$	
		Exposure Category:	D										Roof Type :	Hip $h/B = \leq 0.5$	
Roof Wind Zone	Ground Snow Load (psf)	Wind Speed (mph)													
		90	95	100	105	110	115	120	130	140	150	160	170	180	
Zone 1	0	94	94	94	94	94	94	92	84	75	68	62	58	54	
	10	73	73	73	73	72	69	69	67	65	63	61	58	54	
	20	56	56	56	56	56	56	56	55	54	53	52	51	50	
	30	56	56	56	56	56	56	56	55	54	53	52	51	50	
	40	50	50	50	50	50	50	50	50	50	49	48	47	46	
	50	45	45	45	45	45	45	45	45	45	45	45	45	44	43
	60	42	42	42	42	42	42	42	42	42	42	42	42	41	41
	70	39	39	39	39	39	39	39	39	39	39	39	39	39	38
	80	36	36	36	36	36	36	36	36	36	36	36	36	36	36
90	34	34	34	34	34	34	34	34	34	34	34	34	34	34	
Zone 2r	0	94	91	86	79	74	69	65	58	52	47	44	40	37	
	10	73	73	73	73	72	69	65	58	52	47	44	40	37	
	20	56	56	56	56	56	56	56	55	52	47	44	40	37	
	30	56	56	56	56	56	56	56	55	52	47	44	40	37	
	40	50	50	50	50	50	50	50	50	50	47	44	40	37	
	50	45	45	45	45	45	45	45	45	45	45	45	44	40	37
	60	42	42	42	42	42	42	42	42	42	42	42	42	40	37
	70	39	39	39	39	39	39	39	39	39	39	39	39	39	37
	80	36	36	36	36	36	36	36	36	36	36	36	36	36	36
90	34	34	34	34	34	34	34	34	34	34	34	34	34	34	
Zones 2e & 3	0	94	94	94	93	89	85	79	70	63	57	52	48	45	
	10	73	73	73	73	72	69	69	67	63	57	52	48	45	
	20	56	56	56	56	56	56	56	55	54	53	52	48	45	
	30	56	56	56	56	56	56	56	55	54	53	52	48	45	
	40	50	50	50	50	50	50	50	50	50	49	48	47	45	
	50	45	45	45	45	45	45	45	45	45	45	45	45	44	43
	60	42	42	42	42	42	42	42	42	42	42	42	42	41	41
	70	39	39	39	39	39	39	39	39	39	39	39	39	39	38
	80	36	36	36	36	36	36	36	36	36	36	36	36	36	36
90	34	34	34	34	34	34	34	34	34	34	34	34	34	34	

Notes:

1. Tables are based on critical rail span for load combinations as specified in chapter 2 of the ASCE 7-16 and allowable design loads per the 2015 Aluminum Design Manual.
2. Panels are assumed to be in portrait orientation with a maximum length of 82"

Max Rail Spans for SunModo SMR100 System

Roof Wind Zone		Ground Snow Load (psf)	Wind Speed (mph)													
			90	95	100	105	110	115	120	130	140	150	160	170	180	
Zone 1		0	94	94	90	85	79	74	70	63	57	52	48	45	42	
		10	73	73	73	73	72	69	69	63	57	52	48	45	42	
		20	56	56	56	56	56	56	56	55	54	52	48	45	42	
		30	56	56	56	56	56	56	56	55	54	52	48	45	42	
		40	50	50	50	50	50	50	50	50	50	49	48	45	42	
		50	45	45	45	45	45	45	45	45	45	45	45	45	44	42
		60	42	42	42	42	42	42	42	42	42	42	42	42	41	41
		70	39	39	39	39	39	39	39	39	39	39	39	39	39	38
		80	36	36	36	36	36	36	36	36	36	36	36	36	36	36
		90	34	34	34	34	34	34	34	34	34	34	34	34	34	34
Zone 2r		0	73	68	63	59	55	52	49	44	40	36	34	32	30	
		10	73	68	63	59	55	52	49	44	40	36	34	32	30	
		20	56	56	56	56	55	52	49	44	40	36	34	32	30	
		30	56	56	56	56	55	52	49	44	40	36	34	32	30	
		40	50	50	50	50	50	50	49	44	40	36	34	32	30	
		50	45	45	45	45	45	45	45	44	40	36	34	32	30	
		60	42	42	42	42	42	42	42	42	40	36	34	32	30	
		70	39	39	39	39	39	39	39	39	39	36	34	32	30	
		80	36	36	36	36	36	36	36	36	36	36	34	32	30	
		90	34	34	34	34	34	34	34	34	34	34	34	34	32	30
Zones 2e & 3		0	89	83	77	71	67	63	59	53	48	44	40	37	35	
		10	73	73	73	71	67	63	59	53	48	44	40	37	35	
		20	56	56	56	56	56	56	56	53	48	44	40	37	35	
		30	56	56	56	56	56	56	56	53	48	44	40	37	35	
		40	50	50	50	50	50	50	50	50	48	44	40	37	35	
		50	45	45	45	45	45	45	45	45	45	44	40	37	35	
		60	42	42	42	42	42	42	42	42	42	42	40	37	35	
		70	39	39	39	39	39	39	39	39	39	39	39	37	35	
		80	36	36	36	36	36	36	36	36	36	36	36	36	35	
		90	34	34	34	34	34	34	34	34	34	34	34	34	34	34

Notes:

1. Tables are based on critical rail span for load combinations as specified in chapter 2 of the ASCE 7-16 and allowable design loads per the 2015 Aluminum Design Manual.
2. Panels are assumed to be in portrait orientation with a maximum length of 82"

Max Rail Spans for SunModo SMR100 System

Table 67a		Mean Roof Height: $h \leq 15$ ft											Panel Orientation: Portrait	
		Roof Angle: $20 < \theta \leq 27$ degrees											North/South Support $X_E = 1$	
		Exposure Category: B											Roof Type: Hip	
Roof Wind Zone	Ground Snow Load (psf)	Wind Speed (mph)												
		90	95	100	105	110	115	120	130	140	150	160	170	180
Zone 1	0	94	94	94	94	94	94	94	94	94	94	94	91	86
	10	79	79	79	79	79	79	79	79	79	79	79	77	74
	20	66	66	66	66	66	66	66	66	66	66	66	65	63
	30	56	56	56	56	56	56	56	56	56	56	56	56	56
	40	50	50	50	50	50	50	50	50	50	50	50	50	50
	50	45	45	45	45	45	45	45	45	45	45	45	45	45
	60	42	42	42	42	42	42	42	42	42	42	42	42	42
	70	39	39	39	39	39	39	39	39	39	39	39	39	39
	80	36	36	36	36	36	36	36	36	36	36	36	36	36
	90	35	35	35	35	35	35	35	35	35	35	35	35	35
Zones 2e, 2r, & 3	0	94	94	94	94	94	94	94	94	91	85	78	70	65
	10	79	79	79	79	79	79	79	79	79	79	77	70	65
	20	66	66	66	66	66	66	66	66	66	66	65	64	63
	30	56	56	56	56	56	56	56	56	56	56	56	56	56
	40	50	50	50	50	50	50	50	50	50	50	50	50	50
	50	45	45	45	45	45	45	45	45	45	45	45	45	45
	60	42	42	42	42	42	42	42	42	42	42	42	42	42
	70	39	39	39	39	39	39	39	39	39	39	39	39	39
	80	36	36	36	36	36	36	36	36	36	36	36	36	36
	90	35	35	35	35	35	35	35	35	35	35	35	35	35

Notes:

1. Tables are based on critical rail span for load combinations as specified in chapter 2 of the ASCE 7-16 and allowable design loads per the 2015 Aluminum Design Manual.
2. Panels are assumed to be in portrait orientation with a maximum length of 82"

Max Rail Spans for SunModo SMR100 System

Roof Wind Zone		Ground Snow Load (psf)	Wind Speed (mph)													
			90	95	100	105	110	115	120	130	140	150	160	170	180	
Zone 1		0	94	94	94	94	94	94	94	94	90	84	76	69	63	
		10	79	79	79	79	79	79	79	79	79	79	79	76	69	63
		20	66	66	66	66	66	66	66	66	66	66	66	65	64	63
		30	56	56	56	56	56	56	56	56	56	56	56	56	56	56
		40	50	50	50	50	50	50	50	50	50	50	50	50	50	50
		50	45	45	45	45	45	45	45	45	45	45	45	45	45	45
		60	42	42	42	42	42	42	42	42	42	42	42	42	42	42
		70	39	39	39	39	39	39	39	39	39	39	39	39	39	39
		80	36	36	36	36	36	36	36	36	36	36	36	36	36	36
		90	35	35	35	35	35	35	35	35	35	35	35	35	35	35
Zones 2e, 2r, & 3		0	94	94	94	94	94	90	87	78	70	63	57	52	48	
		10	79	79	79	79	79	79	79	79	78	70	63	57	52	48
		20	66	66	66	66	66	66	66	66	66	66	63	57	52	48
		30	56	56	56	56	56	56	56	56	56	56	56	56	52	48
		40	50	50	50	50	50	50	50	50	50	50	50	50	50	48
		50	45	45	45	45	45	45	45	45	45	45	45	45	45	45
		60	42	42	42	42	42	42	42	42	42	42	42	42	42	42
		70	39	39	39	39	39	39	39	39	39	39	39	39	39	39
		80	36	36	36	36	36	36	36	36	36	36	36	36	36	36
		90	35	35	35	35	35	35	35	35	35	35	35	35	35	35

Notes:

1. Tables are based on critical rail span for load combinations as specified in chapter 2 of the ASCE 7-16 and allowable design loads per the 2015 Aluminum Design Manual.
2. Panels are assumed to be in portrait orientation with a maximum length of 82"

Max Rail Spans for SunModo SMR100 System

Table 68a		Mean Roof Height: $h \leq 15$ ft											Panel Orientation: Portrait	
		Roof Angle: $20 < \theta \leq 27$ degrees											North/South Support $X_E = 1$	
		Exposure Category: C											Roof Type: Hip	
Roof Wind Zone	Ground Snow Load (psf)	Wind Speed (mph)												
		90	95	100	105	110	115	120	130	140	150	160	170	180
Zone 1	0	94	94	94	94	94	94	94	94	90	84	76	69	63
	10	79	79	79	79	79	79	79	77	75	73	72	69	63
	20	66	66	66	66	66	66	66	65	64	62	61	60	59
	30	56	56	56	56	56	56	56	56	56	55	54	54	53
	40	50	50	50	50	50	50	50	50	50	50	50	49	48
	50	45	45	45	45	45	45	45	45	45	45	45	45	45
	60	42	42	42	42	42	42	42	42	42	42	42	42	42
	70	39	39	39	39	39	39	39	39	39	39	39	39	39
	80	36	36	36	36	36	36	36	36	36	36	36	36	36
	90	35	35	35	35	35	35	35	35	35	35	35	35	35
Zones 2e, 2r, & 3	0	94	94	94	94	94	91	87	79	70	63	57	52	48
	10	79	79	79	79	79	79	79	77	70	63	57	52	48
	20	66	66	66	66	66	66	66	65	64	62	57	52	48
	30	56	56	56	56	56	56	56	56	56	55	54	52	48
	40	50	50	50	50	50	50	50	50	50	50	50	49	48
	50	45	45	45	45	45	45	45	45	45	45	45	45	45
	60	42	42	42	42	42	42	42	42	42	42	42	42	42
	70	39	39	39	39	39	39	39	39	39	39	39	39	39
	80	36	36	36	36	36	36	36	36	36	36	36	36	36
	90	35	35	35	35	35	35	35	35	35	35	35	35	35

Notes:

1. Tables are based on critical rail span for load combinations as specified in chapter 2 of the ASCE 7-16 and allowable design loads per the 2015 Aluminum Design Manual.
2. Panels are assumed to be in portrait orientation with a maximum length of 82"

Max Rail Spans for SunModo SMR100 System

Roof Wind Zone		Ground Snow Load (psf)	Wind Speed (mph)													
			90	95	100	105	110	115	120	130	140	150	160	170	180	
Zone 1		0	94	94	94	94	94	90	86	77	68	61	56	51	47	
		10	79	79	79	79	79	79	79	77	68	61	56	51	47	
		20	66	66	66	66	66	66	66	65	64	61	56	51	47	
		30	56	56	56	56	56	56	56	56	56	55	54	51	47	
		40	50	50	50	50	50	50	50	50	50	50	50	49	47	
		50	45	45	45	45	45	45	45	45	45	45	45	45	45	45
		60	42	42	42	42	42	42	42	42	42	42	42	42	42	42
		70	39	39	39	39	39	39	39	39	39	39	39	39	39	39
		80	36	36	36	36	36	36	36	36	36	36	36	36	36	36
		90	35	35	35	35	35	35	35	35	35	35	35	35	35	35
Zones 2e, 2r, & 3		0	94	90	86	80	74	69	65	58	52	47	43	40	37	
		10	79	79	79	79	74	69	65	58	52	47	43	40	37	
		20	66	66	66	66	66	66	66	65	58	52	47	43	40	37
		30	56	56	56	56	56	56	56	56	56	52	47	43	40	37
		40	50	50	50	50	50	50	50	50	50	50	47	43	40	37
		50	45	45	45	45	45	45	45	45	45	45	45	43	40	37
		60	42	42	42	42	42	42	42	42	42	42	42	42	40	37
		70	39	39	39	39	39	39	39	39	39	39	39	39	39	37
		80	36	36	36	36	36	36	36	36	36	36	36	36	36	36
		90	35	35	35	35	35	35	35	35	35	35	35	35	35	35

Notes:

1. Tables are based on critical rail span for load combinations as specified in chapter 2 of the ASCE 7-16 and allowable design loads per the 2015 Aluminum Design Manual.
2. Panels are assumed to be in portrait orientation with a maximum length of 82"

Max Rail Spans for SunModo SMR100 System

Table 69a		Mean Roof Height: $h \leq 15$ ft											Panel Orientation: Portrait		
		Roof Angle: $20 < \theta \leq 27$ degrees											North/South Support $X_E = 1$		
		Exposure Category: D											Roof Type: Hip		
Roof Wind Zone	Ground Snow Load (psf)	Wind Speed (mph)													
		90	95	100	105	110	115	120	130	140	150	160	170	180	
Zone 1	0	94	94	94	94	94	94	94	88	81	72	65	59	55	
	10	79	79	79	79	79	78	77	75	73	71	65	59	55	
	20	66	66	66	66	66	65	65	63	62	61	59	58	55	
	30	56	56	56	56	56	56	56	56	55	54	53	52	51	
	40	50	50	50	50	50	50	50	50	50	49	48	48	47	
	50	45	45	45	45	45	45	45	45	45	45	45	45	44	43
	60	42	42	42	42	42	42	42	42	42	42	42	42	41	41
	70	39	39	39	39	39	39	39	39	39	39	39	39	39	39
	80	36	36	36	36	36	36	36	36	36	36	36	36	36	36
	90	35	35	35	35	35	35	35	35	35	35	35	35	35	35
Zones 2e, 2r, & 3	0	94	94	94	90	86	82	77	67	60	55	50	46	42	
	10	79	79	79	79	79	78	77	67	60	55	50	46	42	
	20	66	66	66	66	66	65	65	63	60	55	50	46	42	
	30	56	56	56	56	56	56	56	56	55	54	50	46	42	
	40	50	50	50	50	50	50	50	50	50	49	48	46	42	
	50	45	45	45	45	45	45	45	45	45	45	45	45	44	42
	60	42	42	42	42	42	42	42	42	42	42	42	42	41	41
	70	39	39	39	39	39	39	39	39	39	39	39	39	39	39
	80	36	36	36	36	36	36	36	36	36	36	36	36	36	36
	90	35	35	35	35	35	35	35	35	35	35	35	35	35	35

Notes:

1. Tables are based on critical rail span for load combinations as specified in chapter 2 of the ASCE 7-16 and allowable design loads per the 2015 Aluminum Design Manual.
2. Panels are assumed to be in portrait orientation with a maximum length of 82"

Max Rail Spans for SunModo SMR100 System

Roof Wind Zone		Ground Snow Load (psf)	Wind Speed (mph)													
			90	95	100	105	110	115	120	130	140	150	160	170	180	
Zone 1		0	94	94	93	89	85	80	75	66	59	53	48	44	41	
		10	79	79	79	79	79	78	75	66	59	53	48	44	41	
		20	66	66	66	66	66	65	65	63	59	53	48	44	41	
		30	56	56	56	56	56	56	56	56	55	53	48	44	41	
		40	50	50	50	50	50	50	50	50	50	49	48	44	41	
		50	45	45	45	45	45	45	45	45	45	45	45	45	44	41
		60	42	42	42	42	42	42	42	42	42	42	42	42	41	41
		70	39	39	39	39	39	39	39	39	39	39	39	39	39	39
		80	36	36	36	36	36	36	36	36	36	36	36	36	36	36
		90	35	35	35	35	35	35	35	35	35	35	35	35	35	35
Zones 2e, 2r, & 3		0	86	81	74	69	64	60	56	50	45	41	38	35	33	
		10	79	79	74	69	64	60	56	50	45	41	38	35	33	
		20	66	66	66	66	64	60	56	50	45	41	38	35	33	
		30	56	56	56	56	56	56	56	50	45	41	38	35	33	
		40	50	50	50	50	50	50	50	50	45	41	38	35	33	
		50	45	45	45	45	45	45	45	45	45	45	41	38	35	33
		60	42	42	42	42	42	42	42	42	42	42	41	38	35	33
		70	39	39	39	39	39	39	39	39	39	39	39	38	35	33
		80	36	36	36	36	36	36	36	36	36	36	36	36	35	33
		90	35	35	35	35	35	35	35	35	35	35	35	35	35	33

Notes:

1. Tables are based on critical rail span for load combinations as specified in chapter 2 of the ASCE 7-16 and allowable design loads per the 2015 Aluminum Design Manual.
2. Panels are assumed to be in portrait orientation with a maximum length of 82"

Max Rail Spans for SunModo SMR100 System

Table 70a		Mean Roof Height: $h \leq 15$ ft							Panel Orientation: Portrait						
		Roof Angle: $27 < \theta \leq 45$ degrees							North/South Support $X_E = 1$						
		Exposure Category: B							Roof Type: Hip						
Roof Wind Zone	Ground Snow Load (psf)	Wind Speed (mph)													
		90	95	100	105	110	115	120	130	140	150	160	170	180	
Zone 1	0	94	94	94	94	94	94	94	94	94	94	91	86	82	
	10	78	78	78	78	78	78	78	78	78	78	78	76	75	
	20	68	68	68	68	68	68	68	68	68	67	66	65	64	
	30	58	58	58	58	58	58	58	58	58	58	58	58	57	
	40	52	52	52	52	52	52	52	52	52	52	52	52	52	
	50	47	47	47	47	47	47	47	47	47	47	47	47	47	
	60	43	43	43	43	43	43	43	43	43	43	43	43	43	
	70	41	41	41	41	41	41	41	41	41	41	41	41	41	
	80	38	38	38	38	38	38	38	38	38	38	38	38	38	
	90	36	36	36	36	36	36	36	36	36	36	36	36	36	
Zone 2e	0	94	94	94	94	94	94	94	94	94	94	91	85	81	
	10	78	78	78	78	78	78	78	78	78	78	78	76	75	
	20	68	68	68	68	68	68	68	68	68	67	66	65	64	
	30	58	58	58	58	58	58	58	58	58	58	58	58	57	
	40	52	52	52	52	52	52	52	52	52	52	52	52	52	
	50	47	47	47	47	47	47	47	47	47	47	47	47	47	
	60	43	43	43	43	43	43	43	43	43	43	43	43	43	
	70	41	41	41	41	41	41	41	41	41	41	41	41	41	
	80	38	38	38	38	38	38	38	38	38	38	38	38	38	
	90	36	36	36	36	36	36	36	36	36	36	36	36	36	
Zone 2r	0	94	94	94	94	94	94	94	94	88	82	75	67	61	
	10	78	78	78	78	78	78	78	78	78	78	75	67	61	
	20	68	68	68	68	68	68	68	68	68	67	66	65	61	
	30	58	58	58	58	58	58	58	58	58	58	58	58	57	
	40	52	52	52	52	52	52	52	52	52	52	52	52	52	
	50	47	47	47	47	47	47	47	47	47	47	47	47	47	
	60	43	43	43	43	43	43	43	43	43	43	43	43	43	
	70	41	41	41	41	41	41	41	41	41	41	41	41	41	
	80	38	38	38	38	38	38	38	38	38	38	38	38	38	
	90	36	36	36	36	36	36	36	36	36	36	36	36	36	
Zone 3	0	94	94	94	94	94	94	94	94	92	85	80	70	62	
	10	78	78	78	78	78	78	78	78	78	78	78	70	62	
	20	68	68	68	68	68	68	68	68	68	67	66	65	62	
	30	58	58	58	58	58	58	58	58	58	58	58	58	57	
	40	52	52	52	52	52	52	52	52	52	52	52	52	52	
	50	47	47	47	47	47	47	47	47	47	47	47	47	47	
	60	43	43	43	43	43	43	43	43	43	43	43	43	43	
	70	41	41	41	41	41	41	41	41	41	41	41	41	41	
	80	38	38	38	38	38	38	38	38	38	38	38	38	38	
	90	36	36	36	36	36	36	36	36	36	36	36	36	36	

Notes:

1. Tables are based on critical rail span for load combinations as specified in chapter 2 of the ASCE 7-16 and allowable design loads per the 2015 Aluminum Design Manual.
2. Panels are assumed to be in portrait orientation with a maximum length of 82"

Max Rail Spans for SunModo SMR100 System

Roof Wind Zone		Ground Snow Load (psf)	Wind Speed (mph)													
			90	95	100	105	110	115	120	130	140	150	160	170	180	
Zone 1		0	94	94	94	94	94	94	94	91	85	80	72	65	60	
		10	78	78	78	78	78	78	78	78	78	78	72	65	60	
		20	68	68	68	68	68	68	68	68	68	68	67	66	65	60
		30	58	58	58	58	58	58	58	58	58	58	58	58	58	57
		40	52	52	52	52	52	52	52	52	52	52	52	52	52	52
		50	47	47	47	47	47	47	47	47	47	47	47	47	47	47
		60	43	43	43	43	43	43	43	43	43	43	43	43	43	43
		70	41	41	41	41	41	41	41	41	41	41	41	41	41	41
		80	38	38	38	38	38	38	38	38	38	38	38	38	38	38
90	36	36	36	36	36	36	36	36	36	36	36	36	36	36		
Zone 2e		0	94	94	94	94	94	94	94	91	85	78	68	61	55	
		10	78	78	78	78	78	78	78	78	78	78	68	61	55	
		20	68	68	68	68	68	68	68	68	68	68	67	66	61	55
		30	58	58	58	58	58	58	58	58	58	58	58	58	58	55
		40	52	52	52	52	52	52	52	52	52	52	52	52	52	52
		50	47	47	47	47	47	47	47	47	47	47	47	47	47	47
		60	43	43	43	43	43	43	43	43	43	43	43	43	43	43
		70	41	41	41	41	41	41	41	41	41	41	41	41	41	41
		80	38	38	38	38	38	38	38	38	38	38	38	38	38	38
90	36	36	36	36	36	36	36	36	36	36	36	36	36	36		
Zone 2r		0	94	94	94	94	91	87	84	76	66	59	53	49	45	
		10	78	78	78	78	78	78	78	76	66	59	53	49	45	
		20	68	68	68	68	68	68	68	68	66	59	53	49	45	
		30	58	58	58	58	58	58	58	58	58	58	53	49	45	
		40	52	52	52	52	52	52	52	52	52	52	52	49	45	
		50	47	47	47	47	47	47	47	47	47	47	47	47	45	
		60	43	43	43	43	43	43	43	43	43	43	43	43	43	
		70	41	41	41	41	41	41	41	41	41	41	41	41	41	
		80	38	38	38	38	38	38	38	38	38	38	38	38	38	
90	36	36	36	36	36	36	36	36	36	36	36	36	36			
Zone 3		0	94	94	94	94	94	91	87	80	68	60	53	48	43	
		10	78	78	78	78	78	78	78	78	68	60	53	48	43	
		20	68	68	68	68	68	68	68	68	68	60	53	48	43	
		30	58	58	58	58	58	58	58	58	58	58	53	48	43	
		40	52	52	52	52	52	52	52	52	52	52	52	48	43	
		50	47	47	47	47	47	47	47	47	47	47	47	47	43	
		60	43	43	43	43	43	43	43	43	43	43	43	43	43	
		70	41	41	41	41	41	41	41	41	41	41	41	41	41	
		80	38	38	38	38	38	38	38	38	38	38	38	38	38	
90	36	36	36	36	36	36	36	36	36	36	36	36	36			

Notes:

1. Tables are based on critical rail span for load combinations as specified in chapter 2 of the ASCE 7-16 and allowable design loads per the 2015 Aluminum Design Manual.
2. Panels are assumed to be in portrait orientation with a maximum length of 82"

Max Rail Spans for SunModo SMR100 System

Table 71a		Mean Roof Height: $h \leq 15$ ft						Panel Orientation: Portrait							
		Roof Angle: $27 < \theta \leq 45$ degrees						North/South Support $X_E = 1$							
		Exposure Category: C						Roof Type: Hip							
Roof Wind Zone	Ground Snow Load (psf)	Wind Speed (mph)													
		90	95	100	105	110	115	120	130	140	150	160	170	180	
Zone 1	0	94	94	94	94	94	94	94	91	85	80	73	66	60	
	10	78	78	78	78	78	78	78	78	76	74	72	66	60	
	20	68	68	68	68	68	68	68	67	66	65	64	63	61	
	30	58	58	58	58	58	58	58	58	58	57	56	55	54	
	40	52	52	52	52	52	52	52	52	52	52	51	51	50	
	50	47	47	47	47	47	47	47	47	47	47	47	47	47	46
	60	43	43	43	43	43	43	43	43	43	43	43	43	43	43
	70	41	41	41	41	41	41	41	41	41	41	41	41	41	41
	80	38	38	38	38	38	38	38	38	38	38	38	38	38	38
90	36	36	36	36	36	36	36	36	36	36	36	36	36	36	
Zone 2e	0	94	94	94	94	94	94	94	92	85	79	69	61	55	
	10	78	78	78	78	78	78	78	78	76	74	69	61	55	
	20	68	68	68	68	68	68	68	67	66	65	64	63	61	
	30	58	58	58	58	58	58	58	58	58	57	56	55	54	
	40	52	52	52	52	52	52	52	52	52	52	51	51	50	
	50	47	47	47	47	47	47	47	47	47	47	47	47	47	46
	60	43	43	43	43	43	43	43	43	43	43	43	43	43	43
	70	41	41	41	41	41	41	41	41	41	41	41	41	41	41
	80	38	38	38	38	38	38	38	38	38	38	38	38	38	38
90	36	36	36	36	36	36	36	36	36	36	36	36	36	36	
Zone 2r	0	94	94	94	94	91	87	84	76	67	60	54	49	45	
	10	78	78	78	78	78	78	78	76	67	60	54	49	45	
	20	68	68	68	68	68	68	68	67	66	65	60	54	49	
	30	58	58	58	58	58	58	58	58	58	57	54	49	45	
	40	52	52	52	52	52	52	52	52	52	52	51	49	45	
	50	47	47	47	47	47	47	47	47	47	47	47	47	45	
	60	43	43	43	43	43	43	43	43	43	43	43	43	43	
	70	41	41	41	41	41	41	41	41	41	41	41	41	41	41
	80	38	38	38	38	38	38	38	38	38	38	38	38	38	38
90	36	36	36	36	36	36	36	36	36	36	36	36	36	36	
Zone 3	0	94	94	94	94	94	92	88	80	69	60	53	48	43	
	10	78	78	78	78	78	78	78	78	69	60	53	48	43	
	20	68	68	68	68	68	68	68	67	66	65	60	53	48	
	30	58	58	58	58	58	58	58	58	58	57	53	48	43	
	40	52	52	52	52	52	52	52	52	52	52	51	48	43	
	50	47	47	47	47	47	47	47	47	47	47	47	47	43	
	60	43	43	43	43	43	43	43	43	43	43	43	43	43	
	70	41	41	41	41	41	41	41	41	41	41	41	41	41	41
	80	38	38	38	38	38	38	38	38	38	38	38	38	38	38
90	36	36	36	36	36	36	36	36	36	36	36	36	36	36	

Notes:

1. Tables are based on critical rail span for load combinations as specified in chapter 2 of the ASCE 7-16 and allowable design loads per the 2015 Aluminum Design Manual.
2. Panels are assumed to be in portrait orientation with a maximum length of 82"

Max Rail Spans for SunModo SMR100 System

Roof Wind Zone		Ground Snow Load (psf)	Wind Speed (mph)													
			90	95	100	105	110	115	120	130	140	150	160	170	180	
Zone 1		0	94	94	94	92	88	85	82	73	65	58	53	48	45	
		10	78	78	78	78	78	78	78	78	73	65	58	53	48	45
		20	68	68	68	68	68	68	68	67	66	65	58	53	48	45
		30	58	58	58	58	58	58	58	58	58	58	57	53	48	45
		40	52	52	52	52	52	52	52	52	52	52	52	51	48	45
		50	47	47	47	47	47	47	47	47	47	47	47	47	47	45
		60	43	43	43	43	43	43	43	43	43	43	43	43	43	43
		70	41	41	41	41	41	41	41	41	41	41	41	41	41	41
		80	38	38	38	38	38	38	38	38	38	38	38	38	38	38
		90	36	36	36	36	36	36	36	36	36	36	36	36	36	36
Zone 2e		0	94	94	94	93	88	84	81	69	60	53	48	43	40	
		10	78	78	78	78	78	78	78	78	69	60	53	48	43	40
		20	68	68	68	68	68	68	68	67	66	60	53	48	43	40
		30	58	58	58	58	58	58	58	58	58	58	53	48	43	40
		40	52	52	52	52	52	52	52	52	52	52	52	48	43	40
		50	47	47	47	47	47	47	47	47	47	47	47	47	43	40
		60	43	43	43	43	43	43	43	43	43	43	43	43	43	40
		70	41	41	41	41	41	41	41	41	41	41	41	41	41	40
		80	38	38	38	38	38	38	38	38	38	38	38	38	38	38
		90	36	36	36	36	36	36	36	36	36	36	36	36	36	36
Zone 2r		0	91	86	82	78	71	66	62	54	48	44	40	36	34	
		10	78	78	78	78	71	66	62	54	48	44	40	36	34	
		20	68	68	68	68	68	66	62	54	48	44	40	36	34	
		30	58	58	58	58	58	58	58	54	48	44	40	36	34	
		40	52	52	52	52	52	52	52	52	48	44	40	36	34	
		50	47	47	47	47	47	47	47	47	47	47	44	40	36	34
		60	43	43	43	43	43	43	43	43	43	43	43	40	36	34
		70	41	41	41	41	41	41	41	41	41	41	41	40	36	34
		80	38	38	38	38	38	38	38	38	38	38	38	38	36	34
		90	36	36	36	36	36	36	36	36	36	36	36	36	36	34
Zone 3		0	94	91	86	81	75	68	62	54	47	42	38	35	32	
		10	78	78	78	78	75	68	62	54	47	42	38	35	32	
		20	68	68	68	68	68	68	62	54	47	42	38	35	32	
		30	58	58	58	58	58	58	58	54	47	42	38	35	32	
		40	52	52	52	52	52	52	52	52	47	42	38	35	32	
		50	47	47	47	47	47	47	47	47	47	47	42	38	35	32
		60	43	43	43	43	43	43	43	43	43	43	42	38	35	32
		70	41	41	41	41	41	41	41	41	41	41	41	38	35	32
		80	38	38	38	38	38	38	38	38	38	38	38	38	35	32
		90	36	36	36	36	36	36	36	36	36	36	36	36	35	32

Notes:

1. Tables are based on critical rail span for load combinations as specified in chapter 2 of the ASCE 7-16 and allowable design loads per the 2015 Aluminum Design Manual.
2. Panels are assumed to be in portrait orientation with a maximum length of 82"

Max Rail Spans for SunModo SMR100 System

Table 72a		Mean Roof Height: $h \leq 15$ ft						Panel Orientation: Portrait							
		Roof Angle: $27 < \theta \leq 45$ degrees						North/South Support $X_E = 1$							
		Exposure Category: D						Roof Type: Hip							
Roof Wind Zone	Ground Snow Load (psf)	Wind Speed (mph)													
		90	95	100	105	110	115	120	130	140	150	160	170	180	
Zone 1	0	94	94	94	94	94	94	90	84	77	69	62	57	52	
	10	78	78	78	78	78	78	77	75	73	69	62	57	52	
	20	68	68	68	68	67	67	66	65	63	62	61	57	52	
	30	58	58	58	58	58	58	58	58	57	56	55	53	52	
	40	52	52	52	52	52	52	52	52	52	51	50	49	48	
	50	47	47	47	47	47	47	47	47	47	47	47	47	46	45
	60	43	43	43	43	43	43	43	43	43	43	43	43	43	42
	70	41	41	41	41	41	41	41	41	41	41	41	41	41	40
	80	38	38	38	38	38	38	38	38	38	38	38	38	38	38
90	36	36	36	36	36	36	36	36	36	36	36	36	36	36	
Zone 2e	0	94	94	94	94	94	94	90	83	74	65	57	52	47	
	10	78	78	78	78	78	78	77	75	73	65	57	52	47	
	20	68	68	68	68	67	67	66	65	63	62	57	52	47	
	30	58	58	58	58	58	58	58	58	57	56	55	52	47	
	40	52	52	52	52	52	52	52	52	52	51	50	49	47	
	50	47	47	47	47	47	47	47	47	47	47	47	47	46	45
	60	43	43	43	43	43	43	43	43	43	43	43	43	43	42
	70	41	41	41	41	41	41	41	41	41	41	41	41	41	40
	80	38	38	38	38	38	38	38	38	38	38	38	38	38	38
90	36	36	36	36	36	36	36	36	36	36	36	36	36	36	
Zone 2r	0	94	94	91	87	83	80	74	64	57	51	46	42	39	
	10	78	78	78	78	78	78	74	64	57	51	46	42	39	
	20	68	68	68	68	67	67	66	64	57	51	46	42	39	
	30	58	58	58	58	58	58	58	58	57	51	46	42	39	
	40	52	52	52	52	52	52	52	52	52	51	46	42	39	
	50	47	47	47	47	47	47	47	47	47	47	46	42	39	
	60	43	43	43	43	43	43	43	43	43	43	43	42	39	
	70	41	41	41	41	41	41	41	41	41	41	41	41	39	
	80	38	38	38	38	38	38	38	38	38	38	38	38	38	38
90	36	36	36	36	36	36	36	36	36	36	36	36	36	36	
Zone 3	0	94	94	94	91	87	83	79	66	57	50	45	41	37	
	10	78	78	78	78	78	78	77	66	57	50	45	41	37	
	20	68	68	68	68	67	67	66	65	57	50	45	41	37	
	30	58	58	58	58	58	58	58	58	57	50	45	41	37	
	40	52	52	52	52	52	52	52	52	52	50	45	41	37	
	50	47	47	47	47	47	47	47	47	47	47	45	41	37	
	60	43	43	43	43	43	43	43	43	43	43	43	41	37	
	70	41	41	41	41	41	41	41	41	41	41	41	41	37	
	80	38	38	38	38	38	38	38	38	38	38	38	38	37	37
90	36	36	36	36	36	36	36	36	36	36	36	36	36	36	

Notes:

1. Tables are based on critical rail span for load combinations as specified in chapter 2 of the ASCE 7-16 and allowable design loads per the 2015 Aluminum Design Manual.
2. Panels are assumed to be in portrait orientation with a maximum length of 82"

Max Rail Spans for SunModo SMR100 System

Roof Wind Zone		Ground Snow Load (psf)	Mean Roof Height: $h \leq 15$ ft							Panel Orientation: Portrait					
			Roof Angle: $27 < \theta \leq 45$ degrees							North/South Support $X_E = 1.5$					
			Exposure Category: D												
			Wind Speed (mph)												
			90	95	100	105	110	115	120	130	140	150	160	170	180
Zone 1	0	94	93	88	85	81	77	71	63	56	51	46	42	39	
	10	78	78	78	78	78	77	71	63	56	51	46	42	39	
	20	68	68	68	68	67	67	66	63	56	51	46	42	39	
	30	58	58	58	58	58	58	58	58	56	51	46	42	39	
	40	52	52	52	52	52	52	52	52	52	51	46	42	39	
	50	47	47	47	47	47	47	47	47	47	47	47	46	42	39
	60	43	43	43	43	43	43	43	43	43	43	43	43	42	39
	70	41	41	41	41	41	41	41	41	41	41	41	41	41	39
	80	38	38	38	38	38	38	38	38	38	38	38	38	38	38
90	36	36	36	36	36	36	36	36	36	36	36	36	36	36	
Zone 2e	0	94	93	88	84	80	73	67	58	51	46	41	37	34	
	10	78	78	78	78	78	73	67	58	51	46	41	37	34	
	20	68	68	68	68	67	67	66	58	51	46	41	37	34	
	30	58	58	58	58	58	58	58	58	51	46	41	37	34	
	40	52	52	52	52	52	52	52	52	51	46	41	37	34	
	50	47	47	47	47	47	47	47	47	47	47	46	41	37	34
	60	43	43	43	43	43	43	43	43	43	43	43	41	37	34
	70	41	41	41	41	41	41	41	41	41	41	41	41	37	34
	80	38	38	38	38	38	38	38	38	38	38	38	38	37	34
90	36	36	36	36	36	36	36	36	36	36	36	36	36	34	
Zone 2r	0	83	79	71	66	61	56	53	47	42	38	35	32	30	
	10	78	78	71	66	61	56	53	47	42	38	35	32	30	
	20	68	68	68	66	61	56	53	47	42	38	35	32	30	
	30	58	58	58	58	58	56	53	47	42	38	35	32	30	
	40	52	52	52	52	52	52	52	47	42	38	35	32	30	
	50	47	47	47	47	47	47	47	47	42	38	35	32	30	
	60	43	43	43	43	43	43	43	43	42	38	35	32	30	
	70	41	41	41	41	41	41	41	41	41	38	35	32	30	
	80	38	38	38	38	38	38	38	38	38	38	38	35	32	30
90	36	36	36	36	36	36	36	36	36	36	36	35	32	30	
Zone 3	0	87	82	75	67	61	56	52	45	40	36	33	30	28	
	10	78	78	75	67	61	56	52	45	40	36	33	30	28	
	20	68	68	68	67	61	56	52	45	40	36	33	30	28	
	30	58	58	58	58	58	56	52	45	40	36	33	30	28	
	40	52	52	52	52	52	52	52	45	40	36	33	30	28	
	50	47	47	47	47	47	47	47	45	40	36	33	30	28	
	60	43	43	43	43	43	43	43	43	40	36	33	30	28	
	70	41	41	41	41	41	41	41	41	40	36	33	30	28	
	80	38	38	38	38	38	38	38	38	38	36	33	30	28	
90	36	36	36	36	36	36	36	36	36	36	33	30	28		

Notes:

1. Tables are based on critical rail span for load combinations as specified in chapter 2 of the ASCE 7-16 and allowable design loads per the 2015 Aluminum Design Manual.
2. Panels are assumed to be in portrait orientation with a maximum length of 82"

Max Rail Spans for SunModo SMR100 System

Table 73a		Mean Roof Height: $15 < h \leq 30$ ft							Panel Orientation: Portrait					
		Roof Angle: $0 < \theta \leq 7$ degrees							North/South Support $X_E = 1$					
		Exposure Category: B							Roof Type: Gable					
Roof Wind Zone	Ground Snow Load (psf)	Wind Speed (mph)												
		90	95	100	105	110	115	120	130	140	150	160	170	180
Zone 1'	0	94	94	94	94	94	94	94	94	94	94	94	93	87
	10	79	79	79	79	79	79	79	79	79	79	79	79	79
	20	63	63	63	63	63	63	63	63	63	63	63	63	63
	30	61	61	61	61	61	61	61	61	61	61	61	61	61
	40	54	54	54	54	54	54	54	54	54	54	54	54	54
	50	49	49	49	49	49	49	49	49	49	49	49	49	49
	60	45	45	45	45	45	45	45	45	45	45	45	45	45
	70	42	42	42	42	42	42	42	42	42	42	42	42	42
	80	39	39	39	39	39	39	39	39	39	39	39	39	39
90	37	37	37	37	37	37	37	37	37	37	37	37	37	
Zone 1	0	94	94	94	94	94	94	94	93	85	77	70	64	59
	10	79	79	79	79	79	79	79	79	79	77	70	64	59
	20	63	63	63	63	63	63	63	63	63	63	63	63	59
	30	61	61	61	61	61	61	61	61	61	61	61	61	59
	40	54	54	54	54	54	54	54	54	54	54	54	54	54
	50	49	49	49	49	49	49	49	49	49	49	49	49	49
	60	45	45	45	45	45	45	45	45	45	45	45	45	45
	70	42	42	42	42	42	42	42	42	42	42	42	42	42
	80	39	39	39	39	39	39	39	39	39	39	39	39	39
90	37	37	37	37	37	37	37	37	37	37	37	37	37	
Zone 2	0	94	94	94	94	94	90	85	75	68	62	57	52	49
	10	79	79	79	79	79	79	79	75	68	62	57	52	49
	20	63	63	63	63	63	63	63	63	63	62	57	52	49
	30	61	61	61	61	61	61	61	61	61	61	57	52	49
	40	54	54	54	54	54	54	54	54	54	54	54	52	49
	50	49	49	49	49	49	49	49	49	49	49	49	49	49
	60	45	45	45	45	45	45	45	45	45	45	45	45	45
	70	42	42	42	42	42	42	42	42	42	42	42	42	42
	80	39	39	39	39	39	39	39	39	39	39	39	39	39
90	37	37	37	37	37	37	37	37	37	37	37	37	37	
Zone 3	0	94	94	90	84	78	73	68	61	55	50	46	43	40
	10	79	79	79	79	78	73	68	61	55	50	46	43	40
	20	63	63	63	63	63	63	63	61	55	50	46	43	40
	30	61	61	61	61	61	61	61	61	55	50	46	43	40
	40	54	54	54	54	54	54	54	54	54	50	46	43	40
	50	49	49	49	49	49	49	49	49	49	49	46	43	40
	60	45	45	45	45	45	45	45	45	45	45	45	43	40
	70	42	42	42	42	42	42	42	42	42	42	42	42	40
	80	39	39	39	39	39	39	39	39	39	39	39	39	39
90	37	37	37	37	37	37	37	37	37	37	37	37	37	

Notes:

1. Tables are based on critical rail span for load combinations as specified in chapter 2 of the ASCE 7-16 and allowable design loads per the 2015 Aluminum Design Manual.
2. Panels are assumed to be in portrait orientation with a maximum length of 82"

Max Rail Spans for SunModo SMR100 System

Roof Wind Zone		Ground Snow Load (psf)	Wind Speed (mph)												
			90	95	100	105	110	115	120	130	140	150	160	170	180
Zone 1'		0	94	94	94	94	94	94	94	94	92	84	77	71	66
		10	79	79	79	79	79	79	79	79	79	79	77	71	66
		20	63	63	63	63	63	63	63	63	63	63	63	63	63
		30	61	61	61	61	61	61	61	61	61	61	61	61	61
		40	54	54	54	54	54	54	54	54	54	54	54	54	54
		50	49	49	49	49	49	49	49	49	49	49	49	49	49
		60	45	45	45	45	45	45	45	45	45	45	45	45	45
		70	42	42	42	42	42	42	42	42	42	42	42	42	42
		80	39	39	39	39	39	39	39	39	39	39	39	39	39
90	37	37	37	37	37	37	37	37	37	37	37	37	37		
Zone 1		0	94	94	94	94	90	84	79	70	64	58	53	49	46
		10	79	79	79	79	79	79	79	70	64	58	53	49	46
		20	63	63	63	63	63	63	63	63	63	58	53	49	46
		30	61	61	61	61	61	61	61	61	61	58	53	49	46
		40	54	54	54	54	54	54	54	54	54	54	53	49	46
		50	49	49	49	49	49	49	49	49	49	49	49	49	46
		60	45	45	45	45	45	45	45	45	45	45	45	45	45
		70	42	42	42	42	42	42	42	42	42	42	42	42	42
		80	39	39	39	39	39	39	39	39	39	39	39	39	39
90	37	37	37	37	37	37	37	37	37	37	37	37	37		
Zone 2		0	94	89	82	77	72	67	64	57	52	47	44	40	38
		10	79	79	79	77	72	67	64	57	52	47	44	40	38
		20	63	63	63	63	63	63	63	57	52	47	44	40	38
		30	61	61	61	61	61	61	61	57	52	47	44	40	38
		40	54	54	54	54	54	54	54	54	52	47	44	40	38
		50	49	49	49	49	49	49	49	49	49	47	44	40	38
		60	45	45	45	45	45	45	45	45	45	45	44	40	38
		70	42	42	42	42	42	42	42	42	42	42	42	40	38
		80	39	39	39	39	39	39	39	39	39	39	39	39	38
90	37	37	37	37	37	37	37	37	37	37	37	37	37		
Zone 3		0	78	72	67	62	58	55	52	46	42	39	35	33	31
		10	78	72	67	62	58	55	52	46	42	39	35	33	31
		20	63	63	63	62	58	55	52	46	42	39	35	33	31
		30	61	61	61	61	58	55	52	46	42	39	35	33	31
		40	54	54	54	54	54	54	52	46	42	39	35	33	31
		50	49	49	49	49	49	49	49	46	42	39	35	33	31
		60	45	45	45	45	45	45	45	45	42	39	35	33	31
		70	42	42	42	42	42	42	42	42	42	39	35	33	31
		80	39	39	39	39	39	39	39	39	39	39	35	33	31
90	37	37	37	37	37	37	37	37	37	37	35	33	31		

Notes:

1. Tables are based on critical rail span for load combinations as specified in chapter 2 of the ASCE 7-16 and allowable design loads per the 2015 Aluminum Design Manual.
2. Panels are assumed to be in portrait orientation with a maximum length of 82"

Max Rail Spans for SunModo SMR100 System

Table 74a		Mean Roof Height: $15 < h \leq 30$ ft							Panel Orientation: Portrait						
		Roof Angle: $0 < \theta \leq 7$ degrees							North/South Support $X_E = 1$						
		Exposure Category: C							Roof Type: Gable						
Roof Wind Zone	Ground Snow Load (psf)	Wind Speed (mph)													
		90	95	100	105	110	115	120	130	140	150	160	170	180	
Zone 1'	0	94	94	94	94	94	94	94	94	94	89	81	75	69	
	10	79	79	79	79	79	79	79	79	79	79	79	75	69	
	20	63	63	63	63	63	63	63	63	63	63	63	63	63	
	30	61	61	61	61	61	61	61	61	61	61	61	61	61	
	40	54	54	54	54	54	54	54	54	54	54	54	54	54	
	50	49	49	49	49	49	49	49	49	49	49	49	49	49	
	60	45	45	45	45	45	45	45	45	45	45	45	45	45	
	70	42	42	42	42	42	42	42	42	42	42	42	42	42	
	80	39	39	39	39	39	39	39	39	39	39	39	39	39	
90	37	37	37	37	37	37	37	37	37	37	37	37	37		
Zone 1	0	94	94	94	94	93	88	83	74	67	61	56	51	48	
	10	79	79	79	79	79	79	79	74	67	61	56	51	48	
	20	63	63	63	63	63	63	63	63	63	61	56	51	48	
	30	61	61	61	61	61	61	61	61	61	61	56	51	48	
	40	54	54	54	54	54	54	54	54	54	54	54	51	48	
	50	49	49	49	49	49	49	49	49	49	49	49	49	48	
	60	45	45	45	45	45	45	45	45	45	45	45	45	45	
	70	42	42	42	42	42	42	42	42	42	42	42	42	42	
	80	39	39	39	39	39	39	39	39	39	39	39	39	39	
90	37	37	37	37	37	37	37	37	37	37	37	37	37		
Zone 2	0	94	93	87	81	75	71	67	60	54	50	46	42	39	
	10	79	79	79	79	75	71	67	60	54	50	46	42	39	
	20	63	63	63	63	63	63	63	60	54	50	46	42	39	
	30	61	61	61	61	61	61	61	60	54	50	46	42	39	
	40	54	54	54	54	54	54	54	54	54	50	46	42	39	
	50	49	49	49	49	49	49	49	49	49	49	46	42	39	
	60	45	45	45	45	45	45	45	45	45	45	45	42	39	
	70	42	42	42	42	42	42	42	42	42	42	42	42	39	
	80	39	39	39	39	39	39	39	39	39	39	39	39	39	
90	37	37	37	37	37	37	37	37	37	37	37	37	37		
Zone 3	0	82	75	70	65	61	57	54	49	44	40	37	34	32	
	10	79	75	70	65	61	57	54	49	44	40	37	34	32	
	20	63	63	63	63	61	57	54	49	44	40	37	34	32	
	30	61	61	61	61	61	57	54	49	44	40	37	34	32	
	40	54	54	54	54	54	54	54	49	44	40	37	34	32	
	50	49	49	49	49	49	49	49	49	44	40	37	34	32	
	60	45	45	45	45	45	45	45	45	44	40	37	34	32	
	70	42	42	42	42	42	42	42	42	42	40	37	34	32	
	80	39	39	39	39	39	39	39	39	39	39	37	34	32	
90	37	37	37	37	37	37	37	37	37	37	37	34	32		

Notes:

1. Tables are based on critical rail span for load combinations as specified in chapter 2 of the ASCE 7-16 and allowable design loads per the 2015 Aluminum Design Manual.
2. Panels are assumed to be in portrait orientation with a maximum length of 82"

Max Rail Spans for SunModo SMR100 System

Roof Wind Zone		Ground Snow Load (psf)	Wind Speed (mph)														
			90	95	100	105	110	115	120	130	140	150	160	170	180		
Zone 1'		0	94	94	94	94	94	94	94	91	82	74	68	62	58	54	
		10	79	79	79	79	79	79	79	79	79	74	68	62	58	54	
		20	63	63	63	63	63	63	63	63	63	63	63	62	58	54	
		30	61	61	61	61	61	61	61	61	61	61	61	61	58	54	
		40	54	54	54	54	54	54	54	54	54	54	54	54	54	54	
		50	49	49	49	49	49	49	49	49	49	49	49	49	49	49	49
		60	45	45	45	45	45	45	45	45	45	45	45	45	45	45	45
		70	42	42	42	42	42	42	42	42	42	42	42	42	42	42	42
		80	39	39	39	39	39	39	39	39	39	39	39	39	39	39	39
90	37	37	37	37	37	37	37	37	37	37	37	37	37	37	37		
Zone 1		0	93	87	81	75	70	66	62	56	51	46	43	40	37		
		10	79	79	79	75	70	66	62	56	51	46	43	40	37		
		20	63	63	63	63	63	63	62	56	51	46	43	40	37		
		30	61	61	61	61	61	61	61	56	51	46	43	40	37		
		40	54	54	54	54	54	54	54	54	51	46	43	40	37		
		50	49	49	49	49	49	49	49	49	49	49	46	43	40	37	
		60	45	45	45	45	45	45	45	45	45	45	45	43	40	37	
		70	42	42	42	42	42	42	42	42	42	42	42	42	40	37	
		80	39	39	39	39	39	39	39	39	39	39	39	39	39	37	
90	37	37	37	37	37	37	37	37	37	37	37	37	37	37			
Zone 2		0	75	70	65	61	57	54	51	46	42	38	35	33	31		
		10	75	70	65	61	57	54	51	46	42	38	35	33	31		
		20	63	63	63	61	57	54	51	46	42	38	35	33	31		
		30	61	61	61	61	57	54	51	46	42	38	35	33	31		
		40	54	54	54	54	54	54	51	46	42	38	35	33	31		
		50	49	49	49	49	49	49	49	46	42	38	35	33	31		
		60	45	45	45	45	45	45	45	45	42	38	35	33	31		
		70	42	42	42	42	42	42	42	42	42	38	35	33	31		
		80	39	39	39	39	39	39	39	39	39	39	38	35	33	31	
90	37	37	37	37	37	37	37	37	37	37	37	35	33	31			
Zone 3		0	61	56	53	49	46	44	41	37	34	32	30	28	26		
		10	61	56	53	49	46	44	41	37	34	32	30	28	26		
		20	61	56	53	49	46	44	41	37	34	32	30	28	26		
		30	61	56	53	49	46	44	41	37	34	32	30	28	26		
		40	54	54	53	49	46	44	41	37	34	32	30	28	26		
		50	49	49	49	49	46	44	41	37	34	32	30	28	26		
		60	45	45	45	45	45	44	41	37	34	32	30	28	26		
		70	42	42	42	42	42	42	41	37	34	32	30	28	26		
		80	39	39	39	39	39	39	39	37	34	32	30	28	26		
90	37	37	37	37	37	37	37	37	34	32	30	28	26				

Notes:

1. Tables are based on critical rail span for load combinations as specified in chapter 2 of the ASCE 7-16 and allowable design loads per the 2015 Aluminum Design Manual.
2. Panels are assumed to be in portrait orientation with a maximum length of 82"

Max Rail Spans for SunModo SMR100 System

Table 75a		Mean Roof Height: $15 < h \leq 30$ ft							Panel Orientation: Portrait					
		Roof Angle: $0 < \theta \leq 7$ degrees							North/South Support $X_E = 1$					
		Exposure Category: D							Roof Type: Gable					
Roof Wind Zone	Ground Snow Load (psf)	Wind Speed (mph)												
		90	95	100	105	110	115	120	130	140	150	160	170	180
Zone 1'	0	94	94	94	94	94	94	94	94	87	79	72	67	62
	10	79	79	79	79	79	79	79	79	79	79	72	67	62
	20	63	63	63	63	63	63	63	63	63	63	63	62	61
	30	61	61	61	61	61	61	61	61	61	61	61	61	60
	40	54	54	54	54	54	54	54	54	54	54	54	54	54
	50	49	49	49	49	49	49	49	49	49	49	49	49	49
	60	45	45	45	45	45	45	45	45	45	45	45	45	45
	70	42	42	42	42	42	42	42	42	42	42	42	42	42
	80	39	39	39	39	39	39	39	39	39	39	39	39	39
90	37	37	37	37	37	37	37	37	37	37	37	37	37	
Zone 1	0	94	94	94	89	83	78	73	66	59	54	50	46	43
	10	79	79	79	79	79	78	73	66	59	54	50	46	43
	20	63	63	63	63	63	63	63	63	59	54	50	46	43
	30	61	61	61	61	61	61	61	61	59	54	50	46	43
	40	54	54	54	54	54	54	54	54	54	54	50	46	43
	50	49	49	49	49	49	49	49	49	49	49	49	46	43
	60	45	45	45	45	45	45	45	45	45	45	45	45	43
	70	42	42	42	42	42	42	42	42	42	42	42	42	42
	80	39	39	39	39	39	39	39	39	39	39	39	39	39
90	37	37	37	37	37	37	37	37	37	37	37	37	37	
Zone 2	0	89	82	77	71	67	63	59	53	49	44	41	38	35
	10	79	79	77	71	67	63	59	53	49	44	41	38	35
	20	63	63	63	63	63	63	59	53	49	44	41	38	35
	30	61	61	61	61	61	61	59	53	49	44	41	38	35
	40	54	54	54	54	54	54	54	53	49	44	41	38	35
	50	49	49	49	49	49	49	49	49	49	44	41	38	35
	60	45	45	45	45	45	45	45	45	45	44	41	38	35
	70	42	42	42	42	42	42	42	42	42	42	41	38	35
	80	39	39	39	39	39	39	39	39	39	39	39	38	35
90	37	37	37	37	37	37	37	37	37	37	37	37	35	
Zone 3	0	72	67	62	58	54	51	48	44	40	36	34	31	30
	10	72	67	62	58	54	51	48	44	40	36	34	31	30
	20	63	63	62	58	54	51	48	44	40	36	34	31	30
	30	61	61	61	58	54	51	48	44	40	36	34	31	30
	40	54	54	54	54	54	51	48	44	40	36	34	31	30
	50	49	49	49	49	49	49	48	44	40	36	34	31	30
	60	45	45	45	45	45	45	45	44	40	36	34	31	30
	70	42	42	42	42	42	42	42	42	40	36	34	31	30
	80	39	39	39	39	39	39	39	39	39	36	34	31	30
90	37	37	37	37	37	37	37	37	37	36	34	31	30	

Notes:

1. Tables are based on critical rail span for load combinations as specified in chapter 2 of the ASCE 7-16 and allowable design loads per the 2015 Aluminum Design Manual.
2. Panels are assumed to be in portrait orientation with a maximum length of 82"

Max Rail Spans for SunModo SMR100 System

Table 75b		Mean Roof Height: $15 < h \leq 30$ ft						Panel Orientation: Portrait							
		Roof Angle: $0 < \theta \leq 7$ degrees						North/South Support $X_E = 1.5$							
		Exposure Category: D						Roof Type: Gable							
Roof Wind Zone	Ground Snow Load (psf)	Wind Speed (mph)													
		90	95	100	105	110	115	120	130	140	150	160	170	180	
Zone 1'	0	94	94	94	94	91	86	81	73	66	61	56	52	48	
	10	79	79	79	79	79	79	79	73	66	61	56	52	48	
	20	63	63	63	63	63	63	63	63	63	61	56	52	48	
	30	61	61	61	61	61	61	61	61	61	61	56	52	48	
	40	54	54	54	54	54	54	54	54	54	54	54	52	48	
	50	49	49	49	49	49	49	49	49	49	49	49	49	49	48
	60	45	45	45	45	45	45	45	45	45	45	45	45	45	45
	70	42	42	42	42	42	42	42	42	42	42	42	42	42	42
	80	39	39	39	39	39	39	39	39	39	39	39	39	39	39
90	37	37	37	37	37	37	37	37	37	37	37	37	37	37	
Zone 1	0	83	77	71	67	63	59	56	50	46	42	38	36	33	
	10	79	77	71	67	63	59	56	50	46	42	38	36	33	
	20	63	63	63	63	63	59	56	50	46	42	38	36	33	
	30	61	61	61	61	61	59	56	50	46	42	38	36	33	
	40	54	54	54	54	54	54	54	50	46	42	38	36	33	
	50	49	49	49	49	49	49	49	49	46	42	38	36	33	
	60	45	45	45	45	45	45	45	45	45	42	38	36	33	
	70	42	42	42	42	42	42	42	42	42	42	38	36	33	
	80	39	39	39	39	39	39	39	39	39	39	38	36	33	
90	37	37	37	37	37	37	37	37	37	37	37	37	36	33	
Zone 2	0	67	62	58	54	51	48	46	41	38	34	32	30	29	
	10	67	62	58	54	51	48	46	41	38	34	32	30	29	
	20	63	62	58	54	51	48	46	41	38	34	32	30	29	
	30	61	61	58	54	51	48	46	41	38	34	32	30	29	
	40	54	54	54	54	51	48	46	41	38	34	32	30	29	
	50	49	49	49	49	49	48	46	41	38	34	32	30	29	
	60	45	45	45	45	45	45	45	41	38	34	32	30	29	
	70	42	42	42	42	42	42	42	41	38	34	32	30	29	
	80	39	39	39	39	39	39	39	39	38	34	32	30	29	
90	37	37	37	37	37	37	37	37	37	34	32	30	29		
Zone 3	0	54	50	47	44	42	39	37	34	31	29	27	26	24	
	10	54	50	47	44	42	39	37	34	31	29	27	26	24	
	20	54	50	47	44	42	39	37	34	31	29	27	26	24	
	30	54	50	47	44	42	39	37	34	31	29	27	26	24	
	40	54	50	47	44	42	39	37	34	31	29	27	26	24	
	50	49	49	47	44	42	39	37	34	31	29	27	26	24	
	60	45	45	45	44	42	39	37	34	31	29	27	26	24	
	70	42	42	42	42	42	39	37	34	31	29	27	26	24	
	80	39	39	39	39	39	39	37	34	31	29	27	26	24	
90	37	37	37	37	37	37	37	34	31	29	27	26	24		

Notes:

1. Tables are based on critical rail span for load combinations as specified in chapter 2 of the ASCE 7-16 and allowable design loads per the 2015 Aluminum Design Manual.
2. Panels are assumed to be in portrait orientation with a maximum length of 82"

Max Rail Spans for SunModo SMR100 System

Roof Wind Zone		Ground Snow Load (psf)	Wind Speed (mph)												
			90	95	100	105	110	115	120	130	140	150	160	170	180
Zones 1 & 2e		0	94	94	94	94	94	94	94	85	73	66	60	56	52
		10	73	73	73	73	73	73	73	73	73	66	60	56	52
		20	56	56	56	56	56	56	56	56	56	56	56	56	52
		30	56	56	56	56	56	56	56	56	56	56	56	56	52
		40	50	50	50	50	50	50	50	50	50	50	50	50	50
		50	45	45	45	45	45	45	45	45	45	45	45	45	45
		60	42	42	42	42	42	42	42	42	42	42	42	42	42
		70	39	39	39	39	39	39	39	39	39	39	39	39	39
		80	36	36	36	36	36	36	36	36	36	36	36	36	36
		90	34	34	34	34	34	34	34	34	34	34	34	34	34
Zones 2h, 2r, & 3e		0	94	94	94	92	88	81	76	67	60	54	49	45	42
		10	73	73	73	73	73	73	73	67	60	54	49	45	42
		20	56	56	56	56	56	56	56	56	56	54	49	45	42
		30	56	56	56	56	56	56	56	56	56	54	49	45	42
		40	50	50	50	50	50	50	50	50	50	50	49	45	42
		50	45	45	45	45	45	45	45	45	45	45	45	45	42
		60	42	42	42	42	42	42	42	42	42	42	42	42	42
		70	39	39	39	39	39	39	39	39	39	39	39	39	39
		80	36	36	36	36	36	36	36	36	36	36	36	36	36
		90	34	34	34	34	34	34	34	34	34	34	34	34	34
Zone 3r		0	94	93	89	82	76	71	66	58	52	48	43	40	37
		10	73	73	73	73	73	71	66	58	52	48	43	40	37
		20	56	56	56	56	56	56	56	56	52	48	43	40	37
		30	56	56	56	56	56	56	56	56	52	48	43	40	37
		40	50	50	50	50	50	50	50	50	50	48	43	40	37
		50	45	45	45	45	45	45	45	45	45	45	43	40	37
		60	42	42	42	42	42	42	42	42	42	42	42	40	37
		70	39	39	39	39	39	39	39	39	39	39	39	39	37
		80	36	36	36	36	36	36	36	36	36	36	36	36	36
		90	34	34	34	34	34	34	34	34	34	34	34	34	34

Notes:

1. Tables are based on critical rail span for load combinations as specified in chapter 2 of the ASCE 7-16 and allowable design loads per the 2015 Aluminum Design Manual.
2. Panels are assumed to be in portrait orientation with a maximum length of 82"

Max Rail Spans for SunModo SMR100 System

Roof Wind Zone		Ground Snow Load (psf)	Wind Speed (mph)												
			90	95	100	105	110	115	120	130	140	150	160	170	180
Zones 1 & 2e		0	94	94	92	87	79	72	68	61	55	51	47	44	41
		10	73	73	73	73	73	72	68	61	55	51	47	44	41
		20	56	56	56	56	56	56	56	56	55	51	47	44	41
		30	56	56	56	56	56	56	56	56	55	51	47	44	41
		40	50	50	50	50	50	50	50	50	50	50	47	44	41
		50	45	45	45	45	45	45	45	45	45	45	45	44	41
		60	42	42	42	42	42	42	42	42	42	42	42	42	41
		70	39	39	39	39	39	39	39	39	39	39	39	39	39
		80	36	36	36	36	36	36	36	36	36	36	36	36	36
		90	34	34	34	34	34	34	34	34	34	34	34	34	34
Zones 2h, 2r, & 3e		0	88	80	73	68	63	59	56	50	45	41	37	34	32
		10	73	73	73	68	63	59	56	50	45	41	37	34	32
		20	56	56	56	56	56	56	56	50	45	41	37	34	32
		30	56	56	56	56	56	56	56	50	45	41	37	34	32
		40	50	50	50	50	50	50	50	50	45	41	37	34	32
		50	45	45	45	45	45	45	45	45	45	41	37	34	32
		60	42	42	42	42	42	42	42	42	42	41	37	34	32
		70	39	39	39	39	39	39	39	39	39	39	37	34	32
		80	36	36	36	36	36	36	36	36	36	36	36	34	32
		90	34	34	34	34	34	34	34	34	34	34	34	34	32
Zone 3r		0	76	69	64	59	55	52	49	44	39	36	33	31	29
		10	73	69	64	59	55	52	49	44	39	36	33	31	29
		20	56	56	56	56	55	52	49	44	39	36	33	31	29
		30	56	56	56	56	55	52	49	44	39	36	33	31	29
		40	50	50	50	50	50	50	49	44	39	36	33	31	29
		50	45	45	45	45	45	45	45	44	39	36	33	31	29
		60	42	42	42	42	42	42	42	42	39	36	33	31	29
		70	39	39	39	39	39	39	39	39	39	36	33	31	29
		80	36	36	36	36	36	36	36	36	36	36	33	31	29
		90	34	34	34	34	34	34	34	34	34	34	33	31	29

Notes:

1. Tables are based on critical rail span for load combinations as specified in chapter 2 of the ASCE 7-16 and allowable design loads per the 2015 Aluminum Design Manual.
2. Panels are assumed to be in portrait orientation with a maximum length of 82"

Max Rail Spans for SunModo SMR100 System

Table 77a		Mean Roof Height: $15 < h \leq 30$ ft					Panel Orientation: Portrait				North/South Support $X_E = 1$				
		Roof Angle: $7 < \theta \leq 20$ degrees					Exposure Category: C				Roof Type: Gable				
Roof Wind Zone	Ground Snow Load (psf)	Wind Speed (mph)													
		90	95	100	105	110	115	120	130	140	150	160	170	180	
Zones 1 & 2e	0	94	94	94	91	85	77	71	64	58	53	49	46	43	
	10	73	73	73	73	73	73	71	64	58	53	49	46	43	
	20	56	56	56	56	56	56	56	56	56	53	49	46	43	
	30	56	56	56	56	56	56	56	56	56	53	49	46	43	
	40	50	50	50	50	50	50	50	50	50	50	49	46	43	
	50	45	45	45	45	45	45	45	45	45	45	45	45	45	43
	60	42	42	42	42	42	42	42	42	42	42	42	42	42	42
	70	39	39	39	39	39	39	39	39	39	39	39	39	39	39
	80	36	36	36	36	36	36	36	36	36	36	36	36	36	36
90	34	34	34	34	34	34	34	34	34	34	34	34	34	34	
Zones 2h, 2r, & 3e	0	91	85	78	72	67	62	59	52	47	43	39	36	34	
	10	73	73	73	72	67	62	59	52	47	43	39	36	34	
	20	56	56	56	56	56	56	56	52	47	43	39	36	34	
	30	56	56	56	56	56	56	56	52	47	43	39	36	34	
	40	50	50	50	50	50	50	50	50	47	43	39	36	34	
	50	45	45	45	45	45	45	45	45	45	43	39	36	34	
	60	42	42	42	42	42	42	42	42	42	42	39	36	34	
	70	39	39	39	39	39	39	39	39	39	39	39	36	34	
	80	36	36	36	36	36	36	36	36	36	36	36	36	36	34
90	34	34	34	34	34	34	34	34	34	34	34	34	34	34	
Zone 3r	0	80	73	68	63	58	55	51	46	41	38	35	32	31	
	10	73	73	68	63	58	55	51	46	41	38	35	32	31	
	20	56	56	56	56	56	55	51	46	41	38	35	32	31	
	30	56	56	56	56	56	55	51	46	41	38	35	32	31	
	40	50	50	50	50	50	50	50	46	41	38	35	32	31	
	50	45	45	45	45	45	45	45	45	41	38	35	32	31	
	60	42	42	42	42	42	42	42	42	41	38	35	32	31	
	70	39	39	39	39	39	39	39	39	39	38	35	32	31	
	80	36	36	36	36	36	36	36	36	36	36	35	32	31	
90	34	34	34	34	34	34	34	34	34	34	34	32	31		

Notes:

1. Tables are based on critical rail span for load combinations as specified in chapter 2 of the ASCE 7-16 and allowable design loads per the 2015 Aluminum Design Manual.
2. Panels are assumed to be in portrait orientation with a maximum length of 82"

Max Rail Spans for SunModo SMR100 System

Roof Wind Zone		Ground Snow Load (psf)	Wind Speed (mph)												
			90	95	100	105	110	115	120	130	140	150	160	170	180
Zones 1 & 2e		0	85	76	69	65	61	57	54	49	45	41	38	36	34
		10	73	73	69	65	61	57	54	49	45	41	38	36	34
		20	56	56	56	56	56	56	54	49	45	41	38	36	34
		30	56	56	56	56	56	56	54	49	45	41	38	36	34
		40	50	50	50	50	50	50	50	49	45	41	38	36	34
		50	45	45	45	45	45	45	45	45	45	41	38	36	34
		60	42	42	42	42	42	42	42	42	42	41	38	36	34
		70	39	39	39	39	39	39	39	39	39	39	38	36	34
		80	36	36	36	36	36	36	36	36	36	36	36	36	34
		90	34	34	34	34	34	34	34	34	34	34	34	34	34
Zones 2h, 2r, & 3e		0	67	61	57	53	49	46	44	39	35	33	31	29	27
		10	67	61	57	53	49	46	44	39	35	33	31	29	27
		20	56	56	56	53	49	46	44	39	35	33	31	29	27
		30	56	56	56	53	49	46	44	39	35	33	31	29	27
		40	50	50	50	50	49	46	44	39	35	33	31	29	27
		50	45	45	45	45	45	45	44	39	35	33	31	29	27
		60	42	42	42	42	42	42	42	39	35	33	31	29	27
		70	39	39	39	39	39	39	39	39	35	33	31	29	27
		80	36	36	36	36	36	36	36	36	35	33	31	29	27
		90	34	34	34	34	34	34	34	34	34	33	31	29	27
Zone 3r		0	58	54	50	47	44	41	39	35	32	30	28	26	25
		10	58	54	50	47	44	41	39	35	32	30	28	26	25
		20	56	54	50	47	44	41	39	35	32	30	28	26	25
		30	56	54	50	47	44	41	39	35	32	30	28	26	25
		40	50	50	50	47	44	41	39	35	32	30	28	26	25
		50	45	45	45	45	44	41	39	35	32	30	28	26	25
		60	42	42	42	42	42	41	39	35	32	30	28	26	25
		70	39	39	39	39	39	39	39	35	32	30	28	26	25
		80	36	36	36	36	36	36	36	35	32	30	28	26	25
		90	34	34	34	34	34	34	34	34	32	30	28	26	25

Notes:

1. Tables are based on critical rail span for load combinations as specified in chapter 2 of the ASCE 7-16 and allowable design loads per the 2015 Aluminum Design Manual.
2. Panels are assumed to be in portrait orientation with a maximum length of 82"

Max Rail Spans for SunModo SMR100 System

Table 78a		Mean Roof Height: $15 < h \leq 30$ ft						Panel Orientation: Portrait							
		Roof Angle: $7 < \theta \leq 20$ degrees						North/South Support $X_E = 1$							
		Exposure Category: D						Roof Type: Gable							
Roof Wind Zone	Ground Snow Load (psf)	Wind Speed (mph)													
		90	95	100	105	110	115	120	130	140	150	160	170	180	
Zones 1 & 2e	0	94	93	87	78	71	67	63	57	52	48	44	41	38	
	10	73	73	73	73	71	67	63	57	52	48	44	41	38	
	20	56	56	56	56	56	56	56	56	52	48	44	41	38	
	30	56	56	56	56	56	56	56	56	52	48	44	41	38	
	40	50	50	50	50	50	50	50	50	50	48	44	41	38	
	50	45	45	45	45	45	45	45	45	45	45	44	41	38	
	60	42	42	42	42	42	42	42	42	42	42	42	41	38	
	70	39	39	39	39	39	39	39	39	39	39	39	39	39	38
	80	36	36	36	36	36	36	36	36	36	36	36	36	36	36
90	34	34	34	34	34	34	34	34	34	34	34	34	34	34	
Zones 2h, 2r, & 3e	0	80	74	68	63	59	55	52	46	42	38	35	33	31	
	10	73	73	68	63	59	55	52	46	42	38	35	33	31	
	20	56	56	56	56	56	55	52	46	42	38	35	33	31	
	30	56	56	56	56	56	55	52	46	42	38	35	33	31	
	40	50	50	50	50	50	50	50	46	42	38	35	33	31	
	50	45	45	45	45	45	45	45	45	42	38	35	33	31	
	60	42	42	42	42	42	42	42	42	42	38	35	33	31	
	70	39	39	39	39	39	39	39	39	39	38	35	33	31	
	80	36	36	36	36	36	36	36	36	36	36	35	33	31	
90	34	34	34	34	34	34	34	34	34	34	34	34	33	31	
Zone 3r	0	70	64	59	55	52	48	46	41	37	34	32	30	28	
	10	70	64	59	55	52	48	46	41	37	34	32	30	28	
	20	56	56	56	55	52	48	46	41	37	34	32	30	28	
	30	56	56	56	55	52	48	46	41	37	34	32	30	28	
	40	50	50	50	50	50	48	46	41	37	34	32	30	28	
	50	45	45	45	45	45	45	45	41	37	34	32	30	28	
	60	42	42	42	42	42	42	42	41	37	34	32	30	28	
	70	39	39	39	39	39	39	39	39	37	34	32	30	28	
	80	36	36	36	36	36	36	36	36	36	34	32	30	28	
90	34	34	34	34	34	34	34	34	34	34	32	30	28		

Notes:

1. Tables are based on critical rail span for load combinations as specified in chapter 2 of the ASCE 7-16 and allowable design loads per the 2015 Aluminum Design Manual.
2. Panels are assumed to be in portrait orientation with a maximum length of 82"

Max Rail Spans for SunModo SMR100 System

Roof Wind Zone		Ground Snow Load (psf)	Wind Speed (mph)												
			90	95	100	105	110	115	120	130	140	150	160	170	180
Zones 1 & 2e		0	71	66	62	58	55	52	49	45	41	38	35	33	31
		10	71	66	62	58	55	52	49	45	41	38	35	33	31
		20	56	56	56	56	55	52	49	45	41	38	35	33	31
		30	56	56	56	56	55	52	49	45	41	38	35	33	31
		40	50	50	50	50	50	50	49	45	41	38	35	33	31
		50	45	45	45	45	45	45	45	45	41	38	35	33	31
		60	42	42	42	42	42	42	42	42	41	38	35	33	31
		70	39	39	39	39	39	39	39	39	39	38	35	33	31
		80	36	36	36	36	36	36	36	36	36	36	35	33	31
		90	34	34	34	34	34	34	34	34	34	34	34	34	33
Zones 2h, 2r, & 3e		0	59	54	50	47	44	41	39	35	32	30	28	26	25
		10	59	54	50	47	44	41	39	35	32	30	28	26	25
		20	56	54	50	47	44	41	39	35	32	30	28	26	25
		30	56	54	50	47	44	41	39	35	32	30	28	26	25
		40	50	50	50	47	44	41	39	35	32	30	28	26	25
		50	45	45	45	45	44	41	39	35	32	30	28	26	25
		60	42	42	42	42	42	41	39	35	32	30	28	26	25
		70	39	39	39	39	39	39	39	35	32	30	28	26	25
		80	36	36	36	36	36	36	36	35	32	30	28	26	25
		90	34	34	34	34	34	34	34	34	32	30	28	26	25
Zone 3r		0	51	48	44	41	39	37	35	32	29	27	26	24	23
		10	51	48	44	41	39	37	35	32	29	27	26	24	23
		20	51	48	44	41	39	37	35	32	29	27	26	24	23
		30	51	48	44	41	39	37	35	32	29	27	26	24	23
		40	50	48	44	41	39	37	35	32	29	27	26	24	23
		50	45	45	44	41	39	37	35	32	29	27	26	24	23
		60	42	42	42	41	39	37	35	32	29	27	26	24	23
		70	39	39	39	39	39	37	35	32	29	27	26	24	23
		80	36	36	36	36	36	36	35	32	29	27	26	24	23
		90	34	34	34	34	34	34	34	32	29	27	26	24	23

Notes:

1. Tables are based on critical rail span for load combinations as specified in chapter 2 of the ASCE 7-16 and allowable design loads per the 2015 Aluminum Design Manual.
2. Panels are assumed to be in portrait orientation with a maximum length of 82"

Max Rail Spans for SunModo SMR100 System

Table 79a		Mean Roof Height: $15 < h \leq 30$ ft					Panel Orientation: Portrait				North/South Support $X_E = 1$			
		Roof Angle: $20 < \theta \leq 27$ degrees					Exposure Category: B				Roof Type: Gable			
Roof Wind Zone	Ground Snow Load (psf)	Wind Speed (mph)												
		90	95	100	105	110	115	120	130	140	150	160	170	180
Zones 1 & 2e	0	94	94	94	94	94	94	94	94	89	83	75	68	63
	10	79	79	79	79	79	79	79	79	79	79	75	68	63
	20	66	66	66	66	66	66	66	66	66	66	65	64	63
	30	56	56	56	56	56	56	56	56	56	56	56	56	56
	40	50	50	50	50	50	50	50	50	50	50	50	50	50
	50	45	45	45	45	45	45	45	45	45	45	45	45	45
	60	42	42	42	42	42	42	42	42	42	42	42	42	42
	70	39	39	39	39	39	39	39	39	39	39	39	39	39
	80	36	36	36	36	36	36	36	36	36	36	36	36	36
90	35	35	35	35	35	35	35	35	35	35	35	35	35	
Zones 2h, 2r, & 3e	0	94	94	94	94	94	91	87	78	69	62	56	52	48
	10	79	79	79	79	79	79	79	78	69	62	56	52	48
	20	66	66	66	66	66	66	66	66	66	62	56	52	48
	30	56	56	56	56	56	56	56	56	56	56	56	52	48
	40	50	50	50	50	50	50	50	50	50	50	50	50	48
	50	45	45	45	45	45	45	45	45	45	45	45	45	45
	60	42	42	42	42	42	42	42	42	42	42	42	42	42
	70	39	39	39	39	39	39	39	39	39	39	39	39	39
	80	36	36	36	36	36	36	36	36	36	36	36	36	36
90	35	35	35	35	35	35	35	35	35	35	35	35	35	
Zone 3r	0	94	94	94	94	90	86	82	71	63	56	51	46	43
	10	79	79	79	79	79	79	79	71	63	56	51	46	43
	20	66	66	66	66	66	66	66	66	63	56	51	46	43
	30	56	56	56	56	56	56	56	56	56	56	51	46	43
	40	50	50	50	50	50	50	50	50	50	50	50	46	43
	50	45	45	45	45	45	45	45	45	45	45	45	45	43
	60	42	42	42	42	42	42	42	42	42	42	42	42	42
	70	39	39	39	39	39	39	39	39	39	39	39	39	39
	80	36	36	36	36	36	36	36	36	36	36	36	36	36
90	35	35	35	35	35	35	35	35	35	35	35	35	35	

Notes:

1. Tables are based on critical rail span for load combinations as specified in chapter 2 of the ASCE 7-16 and allowable design loads per the 2015 Aluminum Design Manual.
2. Panels are assumed to be in portrait orientation with a maximum length of 82"

Max Rail Spans for SunModo SMR100 System

Roof Wind Zone		Ground Snow Load (psf)	Wind Speed (mph)													
			90	95	100	105	110	115	120	130	140	150	160	170	180	
Zones 1 & 2e		0	94	94	94	94	92	89	85	76	68	62	57	53	49	
		10	79	79	79	79	79	79	79	76	68	62	57	53	49	
		20	66	66	66	66	66	66	66	66	66	62	57	53	49	
		30	56	56	56	56	56	56	56	56	56	56	56	53	49	
		40	50	50	50	50	50	50	50	50	50	50	50	50	49	
		50	45	45	45	45	45	45	45	45	45	45	45	45	45	45
		60	42	42	42	42	42	42	42	42	42	42	42	42	42	42
		70	39	39	39	39	39	39	39	39	39	39	39	39	39	39
		80	36	36	36	36	36	36	36	36	36	36	36	36	36	36
		90	35	35	35	35	35	35	35	35	35	35	35	35	35	35
Zones 2h, 2r, & 3e		0	94	90	85	80	74	69	64	57	51	46	42	39	36	
		10	79	79	79	79	74	69	64	57	51	46	42	39	36	
		20	66	66	66	66	66	66	64	57	51	46	42	39	36	
		30	56	56	56	56	56	56	56	56	51	46	42	39	36	
		40	50	50	50	50	50	50	50	50	50	46	42	39	36	
		50	45	45	45	45	45	45	45	45	45	45	45	42	39	36
		60	42	42	42	42	42	42	42	42	42	42	42	42	39	36
		70	39	39	39	39	39	39	39	39	39	39	39	39	39	36
		80	36	36	36	36	36	36	36	36	36	36	36	36	36	36
		90	35	35	35	35	35	35	35	35	35	35	35	35	35	35
Zone 3r		0	90	85	79	72	67	62	58	51	46	42	38	35	33	
		10	79	79	79	72	67	62	58	51	46	42	38	35	33	
		20	66	66	66	66	66	62	58	51	46	42	38	35	33	
		30	56	56	56	56	56	56	56	51	46	42	38	35	33	
		40	50	50	50	50	50	50	50	50	46	42	38	35	33	
		50	45	45	45	45	45	45	45	45	45	45	42	38	35	33
		60	42	42	42	42	42	42	42	42	42	42	42	38	35	33
		70	39	39	39	39	39	39	39	39	39	39	39	38	35	33
		80	36	36	36	36	36	36	36	36	36	36	36	36	35	33
		90	35	35	35	35	35	35	35	35	35	35	35	35	35	33

Notes:

1. Tables are based on critical rail span for load combinations as specified in chapter 2 of the ASCE 7-16 and allowable design loads per the 2015 Aluminum Design Manual.
2. Panels are assumed to be in portrait orientation with a maximum length of 82"

Max Rail Spans for SunModo SMR100 System

Table 80a		Mean Roof Height: $15 < h \leq 30$ ft						Panel Orientation: Portrait							
		Roof Angle: $20 < \theta \leq 27$ degrees						North/South Support $X_E = 1$							
		Exposure Category: C						Roof Type: Gable							
Roof Wind Zone	Ground Snow Load (psf)	Wind Speed (mph)													
		90	95	100	105	110	115	120	130	140	150	160	170	180	
Zones 1 & 2e	0	94	94	94	94	94	92	88	80	71	65	59	55	51	
	10	79	79	79	79	79	79	79	78	71	65	59	55	51	
	20	66	66	66	66	66	66	66	66	64	63	59	55	51	
	30	56	56	56	56	56	56	56	56	56	56	55	54	51	
	40	50	50	50	50	50	50	50	50	50	50	50	49	49	
	50	45	45	45	45	45	45	45	45	45	45	45	45	45	45
	60	42	42	42	42	42	42	42	42	42	42	42	42	42	42
	70	39	39	39	39	39	39	39	39	39	39	39	39	39	39
	80	36	36	36	36	36	36	36	36	36	36	36	36	36	36
90	35	35	35	35	35	35	35	35	35	35	35	35	35	35	
Zones 2h, 2r, & 3e	0	94	93	88	84	78	73	68	60	54	49	44	41	38	
	10	79	79	79	79	78	73	68	60	54	49	44	41	38	
	20	66	66	66	66	66	66	66	60	54	49	44	41	38	
	30	56	56	56	56	56	56	56	56	54	49	44	41	38	
	40	50	50	50	50	50	50	50	50	50	49	44	41	38	
	50	45	45	45	45	45	45	45	45	45	45	44	41	38	
	60	42	42	42	42	42	42	42	42	42	42	42	41	38	
	70	39	39	39	39	39	39	39	39	39	39	39	39	38	
	80	36	36	36	36	36	36	36	36	36	36	36	36	36	36
90	35	35	35	35	35	35	35	35	35	35	35	35	35	35	
Zone 3r	0	93	88	84	77	71	66	61	54	48	44	40	37	34	
	10	79	79	79	77	71	66	61	54	48	44	40	37	34	
	20	66	66	66	66	66	66	61	54	48	44	40	37	34	
	30	56	56	56	56	56	56	56	54	48	44	40	37	34	
	40	50	50	50	50	50	50	50	50	48	44	40	37	34	
	50	45	45	45	45	45	45	45	45	45	44	40	37	34	
	60	42	42	42	42	42	42	42	42	42	42	40	37	34	
	70	39	39	39	39	39	39	39	39	39	39	39	37	34	
	80	36	36	36	36	36	36	36	36	36	36	36	36	34	
90	35	35	35	35	35	35	35	35	35	35	35	35	34		

Notes:

1. Tables are based on critical rail span for load combinations as specified in chapter 2 of the ASCE 7-16 and allowable design loads per the 2015 Aluminum Design Manual.
2. Panels are assumed to be in portrait orientation with a maximum length of 82"

Max Rail Spans for SunModo SMR100 System

Roof Wind Zone		Ground Snow Load (psf)	Wind Speed (mph)													
			90	95	100	105	110	115	120	130	140	150	160	170	180	
Zones 1 & 2e		0	94	91	86	81	75	70	66	60	54	50	46	43	40	
		10	79	79	79	79	75	70	66	60	54	50	46	43	40	
		20	66	66	66	66	66	66	66	60	54	50	46	43	40	
		30	56	56	56	56	56	56	56	56	54	50	46	43	40	
		40	50	50	50	50	50	50	50	50	50	50	46	43	40	
		50	45	45	45	45	45	45	45	45	45	45	45	45	43	40
		60	42	42	42	42	42	42	42	42	42	42	42	42	42	40
		70	39	39	39	39	39	39	39	39	39	39	39	39	39	39
		80	36	36	36	36	36	36	36	36	36	36	36	36	36	36
		90	35	35	35	35	35	35	35	35	35	35	35	35	35	35
Zones 2h, 2r, & 3e		0	78	71	66	61	57	53	50	45	40	37	34	32	30	
		10	78	71	66	61	57	53	50	45	40	37	34	32	30	
		20	66	66	66	61	57	53	50	45	40	37	34	32	30	
		30	56	56	56	56	56	53	50	45	40	37	34	32	30	
		40	50	50	50	50	50	50	50	45	40	37	34	32	30	
		50	45	45	45	45	45	45	45	45	40	37	34	32	30	
		60	42	42	42	42	42	42	42	42	40	37	34	32	30	
		70	39	39	39	39	39	39	39	39	39	37	34	32	30	
		80	36	36	36	36	36	36	36	36	36	36	34	32	30	
		90	35	35	35	35	35	35	35	35	35	35	34	32	30	
Zone 3r		0	70	64	59	55	51	48	45	40	36	33	31	28	27	
		10	70	64	59	55	51	48	45	40	36	33	31	28	27	
		20	66	64	59	55	51	48	45	40	36	33	31	28	27	
		30	56	56	56	55	51	48	45	40	36	33	31	28	27	
		40	50	50	50	50	50	48	45	40	36	33	31	28	27	
		50	45	45	45	45	45	45	45	40	36	33	31	28	27	
		60	42	42	42	42	42	42	42	40	36	33	31	28	27	
		70	39	39	39	39	39	39	39	39	36	33	31	28	27	
		80	36	36	36	36	36	36	36	36	36	33	31	28	27	
		90	35	35	35	35	35	35	35	35	35	33	31	28	27	

Notes:

1. Tables are based on critical rail span for load combinations as specified in chapter 2 of the ASCE 7-16 and allowable design loads per the 2015 Aluminum Design Manual.
2. Panels are assumed to be in portrait orientation with a maximum length of 82"

Max Rail Spans for SunModo SMR100 System

Table 81a		Mean Roof Height: $15 < h \leq 30$ ft						Panel Orientation: Portrait						
		Roof Angle: $20 < \theta \leq 27$ degrees						North/South Support $X_E = 1$						
		Exposure Category: D						Roof Type: Gable						
Roof Wind Zone	Ground Snow Load (psf)	Wind Speed (mph)												
		90	95	100	105	110	115	120	130	140	150	160	170	180
Zones 1 & 2e	0	94	94	94	92	88	85	79	70	63	58	53	49	46
	10	79	79	79	79	79	79	78	70	63	58	53	49	46
	20	66	66	66	66	66	66	65	64	63	58	53	49	46
	30	56	56	56	56	56	56	56	56	56	55	53	49	46
	40	50	50	50	50	50	50	50	50	50	50	49	48	46
	50	45	45	45	45	45	45	45	45	45	45	45	45	44
	60	42	42	42	42	42	42	42	42	42	42	42	42	42
	70	39	39	39	39	39	39	39	39	39	39	39	39	39
	80	36	36	36	36	36	36	36	36	36	36	36	36	36
90	35	35	35	35	35	35	35	35	35	35	35	35	35	
Zones 2h, 2r, & 3e	0	90	86	80	73	68	64	60	53	48	43	40	36	34
	10	79	79	79	73	68	64	60	53	48	43	40	36	34
	20	66	66	66	66	66	64	60	53	48	43	40	36	34
	30	56	56	56	56	56	56	56	53	48	43	40	36	34
	40	50	50	50	50	50	50	50	50	48	43	40	36	34
	50	45	45	45	45	45	45	45	45	45	43	40	36	34
	60	42	42	42	42	42	42	42	42	42	42	40	36	34
	70	39	39	39	39	39	39	39	39	39	39	39	36	34
	80	36	36	36	36	36	36	36	36	36	36	36	36	34
90	35	35	35	35	35	35	35	35	35	35	35	35	34	
Zone 3r	0	86	79	72	66	61	57	54	48	43	39	35	33	31
	10	79	79	72	66	61	57	54	48	43	39	35	33	31
	20	66	66	66	66	61	57	54	48	43	39	35	33	31
	30	56	56	56	56	56	56	54	48	43	39	35	33	31
	40	50	50	50	50	50	50	50	48	43	39	35	33	31
	50	45	45	45	45	45	45	45	45	43	39	35	33	31
	60	42	42	42	42	42	42	42	42	42	39	35	33	31
	70	39	39	39	39	39	39	39	39	39	39	35	33	31
	80	36	36	36	36	36	36	36	36	36	36	35	33	31
90	35	35	35	35	35	35	35	35	35	35	35	33	31	

Notes:

1. Tables are based on critical rail span for load combinations as specified in chapter 2 of the ASCE 7-16 and allowable design loads per the 2015 Aluminum Design Manual.
2. Panels are assumed to be in portrait orientation with a maximum length of 82"

Max Rail Spans for SunModo SMR100 System

Roof Wind Zone		Ground Snow Load (psf)	Wind Speed (mph)												
			90	95	100	105	110	115	120	130	140	150	160	170	180
Zones 1 & 2e		0	88	84	77	71	67	63	59	54	49	45	41	39	36
		10	79	79	77	71	67	63	59	54	49	45	41	39	36
		20	66	66	66	66	66	63	59	54	49	45	41	39	36
		30	56	56	56	56	56	56	56	54	49	45	41	39	36
		40	50	50	50	50	50	50	50	50	49	45	41	39	36
		50	45	45	45	45	45	45	45	45	45	45	41	39	36
		60	42	42	42	42	42	42	42	42	42	42	41	39	36
		70	39	39	39	39	39	39	39	39	39	39	39	39	36
		80	36	36	36	36	36	36	36	36	36	36	36	36	36
		90	35	35	35	35	35	35	35	35	35	35	35	35	35
Zones 2h, 2r, & 3e		0	68	62	58	54	50	47	44	40	36	33	31	29	27
		10	68	62	58	54	50	47	44	40	36	33	31	29	27
		20	66	62	58	54	50	47	44	40	36	33	31	29	27
		30	56	56	56	54	50	47	44	40	36	33	31	29	27
		40	50	50	50	50	50	47	44	40	36	33	31	29	27
		50	45	45	45	45	45	45	44	40	36	33	31	29	27
		60	42	42	42	42	42	42	42	40	36	33	31	29	27
		70	39	39	39	39	39	39	39	39	36	33	31	29	27
		80	36	36	36	36	36	36	36	36	36	33	31	29	27
		90	35	35	35	35	35	35	35	35	35	33	31	29	27
Zone 3r		0	61	56	52	48	45	42	40	36	32	30	28	26	24
		10	61	56	52	48	45	42	40	36	32	30	28	26	24
		20	61	56	52	48	45	42	40	36	32	30	28	26	24
		30	56	56	52	48	45	42	40	36	32	30	28	26	24
		40	50	50	50	48	45	42	40	36	32	30	28	26	24
		50	45	45	45	45	45	42	40	36	32	30	28	26	24
		60	42	42	42	42	42	42	40	36	32	30	28	26	24
		70	39	39	39	39	39	39	39	36	32	30	28	26	24
		80	36	36	36	36	36	36	36	36	32	30	28	26	24
		90	35	35	35	35	35	35	35	35	32	30	28	26	24

Notes:

1. Tables are based on critical rail span for load combinations as specified in chapter 2 of the ASCE 7-16 and allowable design loads per the 2015 Aluminum Design Manual.
2. Panels are assumed to be in portrait orientation with a maximum length of 82"

Max Rail Spans for SunModo SMR100 System

Roof Wind Zone		Ground Snow Load (psf)	Wind Speed (mph)													
			90	95	100	105	110	115	120	130	140	150	160	170	180	
Zones 1, 2e, & 2r		0	94	94	94	94	94	94	92	88	84	80	76	69	63	
		10	78	78	78	78	78	78	78	76	74	72	70	68	63	
		20	68	68	68	68	68	67	66	65	64	62	61	60	58	
		30	58	58	58	58	58	58	58	58	57	56	55	54	53	
		40	52	52	52	52	52	52	52	52	52	51	50	50	49	
		50	47	47	47	47	47	47	47	47	47	47	47	47	46	45
		60	43	43	43	43	43	43	43	43	43	43	43	43	43	43
		70	41	41	41	41	41	41	41	41	41	41	41	41	41	40
		80	38	38	38	38	38	38	38	38	38	38	38	38	38	38
90	36	36	36	36	36	36	36	36	36	36	36	36	36	36		
Zones 2n & 3r		0	94	94	94	94	94	94	92	88	82	74	66	61	56	
		10	78	78	78	78	78	78	78	76	74	72	66	61	56	
		20	68	68	68	68	68	67	66	65	64	62	61	60	56	
		30	58	58	58	58	58	58	58	58	57	56	55	54	53	
		40	52	52	52	52	52	52	52	52	52	51	50	50	49	
		50	47	47	47	47	47	47	47	47	47	47	47	47	46	45
		60	43	43	43	43	43	43	43	43	43	43	43	43	43	43
		70	41	41	41	41	41	41	41	41	41	41	41	41	41	40
		80	38	38	38	38	38	38	38	38	38	38	38	38	38	38
90	36	36	36	36	36	36	36	36	36	36	36	36	36	36		
Zone 3e		0	94	94	94	94	93	89	86	78	69	62	57	52	48	
		10	78	78	78	78	78	78	78	76	69	62	57	52	48	
		20	68	68	68	68	68	67	66	65	64	62	57	52	48	
		30	58	58	58	58	58	58	58	58	57	56	55	52	48	
		40	52	52	52	52	52	52	52	52	52	51	50	50	48	
		50	47	47	47	47	47	47	47	47	47	47	47	47	46	45
		60	43	43	43	43	43	43	43	43	43	43	43	43	43	43
		70	41	41	41	41	41	41	41	41	41	41	41	41	41	40
		80	38	38	38	38	38	38	38	38	38	38	38	38	38	38
90	36	36	36	36	36	36	36	36	36	36	36	36	36	36		

Notes:

1. Tables are based on critical rail span for load combinations as specified in chapter 2 of the ASCE 7-16 and allowable design loads per the 2015 Aluminum Design Manual.
2. Panels are assumed to be in portrait orientation with a maximum length of 82"

Max Rail Spans for SunModo SMR100 System

Roof Wind Zone		Ground Snow Load (psf)	Wind Speed (mph)													
			90	95	100	105	110	115	120	130	140	150	160	170	180	
Zones 1, 2e, & 2r		0	94	94	94	94	93	89	85	77	68	60	55	50	46	
		10	78	78	78	78	78	78	78	76	68	60	55	50	46	
		20	68	68	68	68	68	67	66	65	64	60	55	50	46	
		30	58	58	58	58	58	58	58	58	57	56	55	50	46	
		40	52	52	52	52	52	52	52	52	52	51	50	50	46	
		50	47	47	47	47	47	47	47	47	47	47	47	47	46	45
		60	43	43	43	43	43	43	43	43	43	43	43	43	43	43
		70	41	41	41	41	41	41	41	41	41	41	41	41	41	40
		80	38	38	38	38	38	38	38	38	38	38	38	38	38	38
90	36	36	36	36	36	36	36	36	36	36	36	36	36	36		
Zones 2n & 3r		0	94	94	92	88	85	81	76	67	60	54	49	45	42	
		10	78	78	78	78	78	78	76	67	60	54	49	45	42	
		20	68	68	68	68	68	67	66	65	60	54	49	45	42	
		30	58	58	58	58	58	58	58	58	57	54	49	45	42	
		40	52	52	52	52	52	52	52	52	52	51	49	45	42	
		50	47	47	47	47	47	47	47	47	47	47	47	47	45	42
		60	43	43	43	43	43	43	43	43	43	43	43	43	43	42
		70	41	41	41	41	41	41	41	41	41	41	41	41	41	40
		80	38	38	38	38	38	38	38	38	38	38	38	38	38	38
90	36	36	36	36	36	36	36	36	36	36	36	36	36	36		
Zone 3e		0	92	88	84	80	74	69	64	57	51	46	42	39	36	
		10	78	78	78	78	74	69	64	57	51	46	42	39	36	
		20	68	68	68	68	68	67	64	57	51	46	42	39	36	
		30	58	58	58	58	58	58	58	57	51	46	42	39	36	
		40	52	52	52	52	52	52	52	52	51	46	42	39	36	
		50	47	47	47	47	47	47	47	47	47	46	42	39	36	
		60	43	43	43	43	43	43	43	43	43	43	42	39	36	
		70	41	41	41	41	41	41	41	41	41	41	41	39	36	
		80	38	38	38	38	38	38	38	38	38	38	38	38	36	
90	36	36	36	36	36	36	36	36	36	36	36	36	36			

Notes:

1. Tables are based on critical rail span for load combinations as specified in chapter 2 of the ASCE 7-16 and allowable design loads per the 2015 Aluminum Design Manual.
2. Panels are assumed to be in portrait orientation with a maximum length of 82"

Max Rail Spans for SunModo SMR100 System

Table 83a		Mean Roof Height: $15 < h \leq 30$ ft						Panel Orientation: Portrait							
		Roof Angle: $27 < \theta \leq 45$ degrees						North/South Support $X_E = 1$							
		Exposure Category: C						Roof Type: Gable							
Roof Wind Zone	Ground Snow Load (psf)	Wind Speed (mph)													
		90	95	100	105	110	115	120	130	140	150	160	170	180	
Zones 1, 2e, & 2r	0	94	94	93	90	88	86	83	79	72	64	58	52	48	
	10	78	78	78	77	76	75	73	71	69	64	58	52	48	
	20	68	67	67	66	65	64	63	62	60	59	57	52	48	
	30	58	58	58	58	58	57	57	56	54	53	52	50	48	
	40	52	52	52	52	52	52	52	51	50	49	48	47	46	
	50	47	47	47	47	47	47	47	47	46	46	45	44	43	
	60	43	43	43	43	43	43	43	43	43	43	43	42	41	41
	70	41	41	41	41	41	41	41	41	41	41	41	40	39	39
	80	38	38	38	38	38	38	38	38	38	38	38	38	38	37
90	36	36	36	36	36	36	36	36	36	36	36	36	36	35	
Zones 2n & 3r	0	94	94	93	90	87	84	81	71	63	57	52	48	44	
	10	78	78	78	77	76	75	73	71	63	57	52	48	44	
	20	68	67	67	66	65	64	63	62	60	57	52	48	44	
	30	58	58	58	58	58	57	57	56	54	53	52	48	44	
	40	52	52	52	52	52	52	52	51	50	49	48	47	44	
	50	47	47	47	47	47	47	47	47	46	46	45	44	43	
	60	43	43	43	43	43	43	43	43	43	43	43	42	41	41
	70	41	41	41	41	41	41	41	41	41	41	41	40	39	39
	80	38	38	38	38	38	38	38	38	38	38	38	38	38	37
90	36	36	36	36	36	36	36	36	36	36	36	36	36	35	
Zone 3e	0	94	91	87	83	78	73	68	60	54	49	44	41	38	
	10	78	78	78	77	76	73	68	60	54	49	44	41	38	
	20	68	67	67	66	65	64	63	60	54	49	44	41	38	
	30	58	58	58	58	58	57	57	56	54	49	44	41	38	
	40	52	52	52	52	52	52	52	51	50	49	44	41	38	
	50	47	47	47	47	47	47	47	47	46	46	44	41	38	
	60	43	43	43	43	43	43	43	43	43	43	43	42	41	38
	70	41	41	41	41	41	41	41	41	41	41	41	40	39	38
	80	38	38	38	38	38	38	38	38	38	38	38	38	38	37
90	36	36	36	36	36	36	36	36	36	36	36	36	36	35	

Notes:

1. Tables are based on critical rail span for load combinations as specified in chapter 2 of the ASCE 7-16 and allowable design loads per the 2015 Aluminum Design Manual.
2. Panels are assumed to be in portrait orientation with a maximum length of 82"

Max Rail Spans for SunModo SMR100 System

Roof Wind Zone		Ground Snow Load (psf)	Wind Speed (mph)													
			90	95	100	105	110	115	120	130	140	150	160	170	180	
Zones 1, 2e, & 2r		0	94	91	86	83	77	71	66	58	52	47	43	39	36	
		10	78	78	78	77	76	71	66	58	52	47	43	39	36	
		20	68	67	67	66	65	64	63	58	52	47	43	39	36	
		30	58	58	58	58	58	57	57	56	52	47	43	39	36	
		40	52	52	52	52	52	52	52	51	50	47	43	39	36	
		50	47	47	47	47	47	47	47	47	46	46	43	39	36	
		60	43	43	43	43	43	43	43	43	43	43	43	42	39	36
		70	41	41	41	41	41	41	41	41	41	41	41	40	39	36
		80	38	38	38	38	38	38	38	38	38	38	38	38	38	36
		90	36	36	36	36	36	36	36	36	36	36	36	36	36	35
Zones 2n & 3r		0	87	83	78	72	67	62	59	52	47	43	39	36	34	
		10	78	78	78	72	67	62	59	52	47	43	39	36	34	
		20	68	67	67	66	65	62	59	52	47	43	39	36	34	
		30	58	58	58	58	58	57	57	52	47	43	39	36	34	
		40	52	52	52	52	52	52	52	51	47	43	39	36	34	
		50	47	47	47	47	47	47	47	47	46	43	39	36	34	
		60	43	43	43	43	43	43	43	43	43	43	43	39	36	34
		70	41	41	41	41	41	41	41	41	41	41	41	39	36	34
		80	38	38	38	38	38	38	38	38	38	38	38	38	36	34
		90	36	36	36	36	36	36	36	36	36	36	36	36	36	34
Zone 3e		0	78	71	66	61	57	53	50	45	40	37	34	32	30	
		10	78	71	66	61	57	53	50	45	40	37	34	32	30	
		20	68	67	66	61	57	53	50	45	40	37	34	32	30	
		30	58	58	58	58	57	53	50	45	40	37	34	32	30	
		40	52	52	52	52	52	52	50	45	40	37	34	32	30	
		50	47	47	47	47	47	47	47	45	40	37	34	32	30	
		60	43	43	43	43	43	43	43	43	40	37	34	32	30	
		70	41	41	41	41	41	41	41	41	40	37	34	32	30	
		80	38	38	38	38	38	38	38	38	38	37	34	32	30	
		90	36	36	36	36	36	36	36	36	36	36	34	32	30	

Notes:

1. Tables are based on critical rail span for load combinations as specified in chapter 2 of the ASCE 7-16 and allowable design loads per the 2015 Aluminum Design Manual.
2. Panels are assumed to be in portrait orientation with a maximum length of 82"

Max Rail Spans for SunModo SMR100 System

Roof Wind Zone		Ground Snow Load (psf)	Wind Speed (mph)												
			90	95	100	105	110	115	120	130	140	150	160	170	180
Zones 1, 2e, & 2r		0	94	91	89	86	84	81	79	71	62	56	51	46	43
		10	78	77	76	75	74	72	71	68	62	56	51	46	43
		20	67	66	65	64	64	63	62	60	58	56	51	46	43
		30	58	58	58	57	57	56	55	54	53	51	50	46	43
		40	52	52	52	52	52	51	51	50	49	47	46	45	43
		50	47	47	47	47	47	47	47	46	45	44	43	42	42
		60	43	43	43	43	43	43	43	43	43	42	41	40	39
		70	41	41	41	41	41	41	41	41	40	40	39	38	38
		80	38	38	38	38	38	38	38	38	38	38	37	37	36
		90	36	36	36	36	36	36	36	36	36	36	36	35	35
Zones 2n & 3r		0	94	91	88	85	81	75	70	62	56	50	46	42	39
		10	78	77	76	75	74	72	70	62	56	50	46	42	39
		20	67	66	65	64	64	63	62	60	56	50	46	42	39
		30	58	58	58	57	57	56	55	54	53	50	46	42	39
		40	52	52	52	52	52	51	51	50	49	47	46	42	39
		50	47	47	47	47	47	47	47	46	45	44	43	42	39
		60	43	43	43	43	43	43	43	43	43	42	41	40	39
		70	41	41	41	41	41	41	41	41	40	40	39	38	38
		80	38	38	38	38	38	38	38	38	38	38	37	37	36
		90	36	36	36	36	36	36	36	36	36	36	36	35	35
Zone 3e		0	88	84	80	73	68	64	60	53	48	43	40	37	34
		10	78	77	76	73	68	64	60	53	48	43	40	37	34
		20	67	66	65	64	64	63	60	53	48	43	40	37	34
		30	58	58	58	57	57	56	55	53	48	43	40	37	34
		40	52	52	52	52	52	51	51	50	48	43	40	37	34
		50	47	47	47	47	47	47	47	46	45	43	40	37	34
		60	43	43	43	43	43	43	43	43	43	42	40	37	34
		70	41	41	41	41	41	41	41	41	40	40	39	37	34
		80	38	38	38	38	38	38	38	38	38	38	37	37	34
		90	36	36	36	36	36	36	36	36	36	36	36	35	34

Notes:

1. Tables are based on critical rail span for load combinations as specified in chapter 2 of the ASCE 7-16 and allowable design loads per the 2015 Aluminum Design Manual.
2. Panels are assumed to be in portrait orientation with a maximum length of 82"

Max Rail Spans for SunModo SMR100 System

Roof Wind Zone		Ground Snow Load (psf)	Wind Speed (mph)												
			90	95	100	105	110	115	120	130	140	150	160	170	180
Zones 1, 2e, & 2r		0	88	84	79	72	66	62	58	51	46	41	38	35	33
		10	78	77	76	72	66	62	58	51	46	41	38	35	33
		20	67	66	65	64	64	62	58	51	46	41	38	35	33
		30	58	58	58	57	57	56	55	51	46	41	38	35	33
		40	52	52	52	52	52	51	51	50	46	41	38	35	33
		50	47	47	47	47	47	47	47	46	45	41	38	35	33
		60	43	43	43	43	43	43	43	43	43	41	38	35	33
		70	41	41	41	41	41	41	41	41	40	40	38	35	33
		80	38	38	38	38	38	38	38	38	38	38	37	35	33
		90	36	36	36	36	36	36	36	36	36	36	36	35	33
Zones 2n & 3r		0	81	74	68	63	59	55	52	46	42	38	35	33	31
		10	78	74	68	63	59	55	52	46	42	38	35	33	31
		20	67	66	65	63	59	55	52	46	42	38	35	33	31
		30	58	58	58	57	57	55	52	46	42	38	35	33	31
		40	52	52	52	52	52	51	51	46	42	38	35	33	31
		50	47	47	47	47	47	47	47	46	42	38	35	33	31
		60	43	43	43	43	43	43	43	43	42	38	35	33	31
		70	41	41	41	41	41	41	41	41	40	38	35	33	31
		80	38	38	38	38	38	38	38	38	38	38	35	33	31
		90	36	36	36	36	36	36	36	36	36	36	35	33	31
Zone 3e		0	68	62	58	54	50	47	45	40	36	33	31	29	27
		10	68	62	58	54	50	47	45	40	36	33	31	29	27
		20	67	62	58	54	50	47	45	40	36	33	31	29	27
		30	58	58	58	54	50	47	45	40	36	33	31	29	27
		40	52	52	52	52	50	47	45	40	36	33	31	29	27
		50	47	47	47	47	47	47	45	40	36	33	31	29	27
		60	43	43	43	43	43	43	43	40	36	33	31	29	27
		70	41	41	41	41	41	41	41	40	36	33	31	29	27
		80	38	38	38	38	38	38	38	38	36	33	31	29	27
		90	36	36	36	36	36	36	36	36	36	33	31	29	27

Notes:

1. Tables are based on critical rail span for load combinations as specified in chapter 2 of the ASCE 7-16 and allowable design loads per the 2015 Aluminum Design Manual.
2. Panels are assumed to be in portrait orientation with a maximum length of 82"

Max Rail Spans for SunModo SMR100 System

Roof Wind Zone		Ground Snow Load (psf)	Wind Speed (mph)													
			90	95	100	105	110	115	120	130	140	150	160	170	180	
Zone 1		0	94	94	94	94	94	94	94	89	79	71	65	60	56	
		10	73	73	73	73	73	73	73	73	73	71	70	65	60	56
		20	56	56	56	56	56	56	56	56	56	56	56	56	55	54
		30	56	56	56	56	56	56	56	56	56	56	56	56	55	54
		40	50	50	50	50	50	50	50	50	50	50	50	50	50	49
		50	45	45	45	45	45	45	45	45	45	45	45	45	45	45
		60	42	42	42	42	42	42	42	42	42	42	42	42	42	42
		70	39	39	39	39	39	39	39	39	39	39	39	39	39	39
		80	36	36	36	36	36	36	36	36	36	36	36	36	36	36
		90	34	34	34	34	34	34	34	34	34	34	34	34	34	34
Zone 2r		0	94	94	94	94	94	91	87	77	69	62	57	52	48	
		10	73	73	73	73	73	73	73	73	73	69	62	57	52	48
		20	56	56	56	56	56	56	56	56	56	56	56	56	52	48
		30	56	56	56	56	56	56	56	56	56	56	56	56	52	48
		40	50	50	50	50	50	50	50	50	50	50	50	50	50	48
		50	45	45	45	45	45	45	45	45	45	45	45	45	45	45
		60	42	42	42	42	42	42	42	42	42	42	42	42	42	42
		70	39	39	39	39	39	39	39	39	39	39	39	39	39	39
		80	36	36	36	36	36	36	36	36	36	36	36	36	36	36
		90	34	34	34	34	34	34	34	34	34	34	34	34	34	34
Zones 2e & 3		0	94	94	94	94	91	88	82	72	65	59	54	49	46	
		10	73	73	73	73	73	73	73	72	65	59	54	49	46	
		20	56	56	56	56	56	56	56	56	56	56	56	54	49	46
		30	56	56	56	56	56	56	56	56	56	56	56	54	49	46
		40	50	50	50	50	50	50	50	50	50	50	50	50	49	46
		50	45	45	45	45	45	45	45	45	45	45	45	45	45	45
		60	42	42	42	42	42	42	42	42	42	42	42	42	42	42
		70	39	39	39	39	39	39	39	39	39	39	39	39	39	39
		80	36	36	36	36	36	36	36	36	36	36	36	36	36	36
		90	34	34	34	34	34	34	34	34	34	34	34	34	34	34

Notes:

1. Tables are based on critical rail span for load combinations as specified in chapter 2 of the ASCE 7-16 and allowable design loads per the 2015 Aluminum Design Manual.
2. Panels are assumed to be in portrait orientation with a maximum length of 82"

Max Rail Spans for SunModo SMR100 System

Roof Wind Zone		Ground Snow Load (psf)	Wind Speed (mph)														
			90	95	100	105	110	115	120	130	140	150	160	170	180		
Zone 1		0	94	94	94	90	85	78	73	65	59	54	50	47	43		
		10	73	73	73	73	73	73	73	73	65	59	54	50	47	43	
		20	56	56	56	56	56	56	56	56	56	56	54	50	47	43	
		30	56	56	56	56	56	56	56	56	56	56	54	50	47	43	
		40	50	50	50	50	50	50	50	50	50	50	50	50	47	43	
		50	45	45	45	45	45	45	45	45	45	45	45	45	45	45	43
		60	42	42	42	42	42	42	42	42	42	42	42	42	42	42	42
		70	39	39	39	39	39	39	39	39	39	39	39	39	39	39	39
		80	36	36	36	36	36	36	36	36	36	36	36	36	36	36	36
		90	34	34	34	34	34	34	34	34	34	34	34	34	34	34	34
Zone 2r		0	94	90	84	78	73	68	64	57	51	47	43	40	37		
		10	73	73	73	73	73	68	64	57	51	47	43	40	37		
		20	56	56	56	56	56	56	56	56	56	51	47	43	40	37	
		30	56	56	56	56	56	56	56	56	56	51	47	43	40	37	
		40	50	50	50	50	50	50	50	50	50	50	47	43	40	37	
		50	45	45	45	45	45	45	45	45	45	45	45	43	40	37	
		60	42	42	42	42	42	42	42	42	42	42	42	42	40	37	
		70	39	39	39	39	39	39	39	39	39	39	39	39	39	37	
		80	36	36	36	36	36	36	36	36	36	36	36	36	36	36	36
		90	34	34	34	34	34	34	34	34	34	34	34	34	34	34	34
Zones 2e & 3		0	91	86	79	73	68	64	60	54	49	44	41	38	35		
		10	73	73	73	73	68	64	60	54	49	44	41	38	35		
		20	56	56	56	56	56	56	56	56	54	49	44	41	38	35	
		30	56	56	56	56	56	56	56	56	54	49	44	41	38	35	
		40	50	50	50	50	50	50	50	50	50	49	44	41	38	35	
		50	45	45	45	45	45	45	45	45	45	45	44	41	38	35	
		60	42	42	42	42	42	42	42	42	42	42	42	41	38	35	
		70	39	39	39	39	39	39	39	39	39	39	39	39	38	35	
		80	36	36	36	36	36	36	36	36	36	36	36	36	36	35	35
		90	34	34	34	34	34	34	34	34	34	34	34	34	34	34	34

Notes:

1. Tables are based on critical rail span for load combinations as specified in chapter 2 of the ASCE 7-16 and allowable design loads per the 2015 Aluminum Design Manual.
2. Panels are assumed to be in portrait orientation with a maximum length of 82"

Max Rail Spans for SunModo SMR100 System

Roof Wind Zone		Ground Snow Load (psf)	Wind Speed (mph)														
			90	95	100	105	110	115	120	130	140	150	160	170	180		
Zone 1		0	94	94	94	93	89	83	77	68	62	57	52	49	45		
		10	73	73	73	73	73	72	71	68	62	57	52	49	45		
		20	56	56	56	56	56	56	56	56	56	56	55	52	49	45	
		30	56	56	56	56	56	56	56	56	56	56	55	52	49	45	
		40	50	50	50	50	50	50	50	50	50	50	50	49	48	45	
		50	45	45	45	45	45	45	45	45	45	45	45	45	45	44	44
		60	42	42	42	42	42	42	42	42	42	42	42	42	42	42	41
		70	39	39	39	39	39	39	39	39	39	39	39	39	39	39	39
		80	36	36	36	36	36	36	36	36	36	36	36	36	36	36	36
		90	34	34	34	34	34	34	34	34	34	34	34	34	34	34	34
Zone 2r		0	94	93	88	82	77	72	67	60	54	49	45	42	38		
		10	73	73	73	73	73	72	67	60	54	49	45	42	38		
		20	56	56	56	56	56	56	56	56	54	49	45	42	38		
		30	56	56	56	56	56	56	56	56	54	49	45	42	38		
		40	50	50	50	50	50	50	50	50	50	49	45	42	38		
		50	45	45	45	45	45	45	45	45	45	45	45	45	42	38	
		60	42	42	42	42	42	42	42	42	42	42	42	42	42	38	
		70	39	39	39	39	39	39	39	39	39	39	39	39	39	38	
		80	36	36	36	36	36	36	36	36	36	36	36	36	36	36	
		90	34	34	34	34	34	34	34	34	34	34	34	34	34	34	
Zones 2e & 3		0	94	89	84	77	72	67	63	57	51	46	43	39	37		
		10	73	73	73	73	72	67	63	57	51	46	43	39	37		
		20	56	56	56	56	56	56	56	56	51	46	43	39	37		
		30	56	56	56	56	56	56	56	56	51	46	43	39	37		
		40	50	50	50	50	50	50	50	50	50	46	43	39	37		
		50	45	45	45	45	45	45	45	45	45	45	45	43	39	37	
		60	42	42	42	42	42	42	42	42	42	42	42	42	39	37	
		70	39	39	39	39	39	39	39	39	39	39	39	39	39	37	
		80	36	36	36	36	36	36	36	36	36	36	36	36	36	36	
		90	34	34	34	34	34	34	34	34	34	34	34	34	34	34	

Notes:

1. Tables are based on critical rail span for load combinations as specified in chapter 2 of the ASCE 7-16 and allowable design loads per the 2015 Aluminum Design Manual.
2. Panels are assumed to be in portrait orientation with a maximum length of 82"

Max Rail Spans for SunModo SMR100 System

Roof Wind Zone		Ground Snow Load (psf)	Wind Speed (mph)													
			90	95	100	105	110	115	120	130	140	150	160	170	180	
Zone 1		0	89	82	75	69	65	61	58	53	48	44	41	38	36	
		10	73	73	73	69	65	61	58	53	48	44	41	38	36	
		20	56	56	56	56	56	56	56	53	48	44	41	38	36	
		30	56	56	56	56	56	56	56	53	48	44	41	38	36	
		40	50	50	50	50	50	50	50	50	48	44	41	38	36	
		50	45	45	45	45	45	45	45	45	45	44	41	38	36	
		60	42	42	42	42	42	42	42	42	42	42	41	38	36	
		70	39	39	39	39	39	39	39	39	39	39	39	39	38	36
		80	36	36	36	36	36	36	36	36	36	36	36	36	36	36
		90	34	34	34	34	34	34	34	34	34	34	34	34	34	34
Zone 2r		0	76	70	65	61	57	53	50	45	41	37	35	32	31	
		10	73	70	65	61	57	53	50	45	41	37	35	32	31	
		20	56	56	56	56	56	53	50	45	41	37	35	32	31	
		30	56	56	56	56	56	53	50	45	41	37	35	32	31	
		40	50	50	50	50	50	50	50	45	41	37	35	32	31	
		50	45	45	45	45	45	45	45	45	41	37	35	32	31	
		60	42	42	42	42	42	42	42	42	41	37	35	32	31	
		70	39	39	39	39	39	39	39	39	39	37	35	32	31	
		80	36	36	36	36	36	36	36	36	36	36	35	32	31	
		90	34	34	34	34	34	34	34	34	34	34	34	34	32	31
Zones 2e & 3		0	72	66	62	57	54	51	48	43	39	36	33	31	29	
		10	72	66	62	57	54	51	48	43	39	36	33	31	29	
		20	56	56	56	56	54	51	48	43	39	36	33	31	29	
		30	56	56	56	56	54	51	48	43	39	36	33	31	29	
		40	50	50	50	50	50	50	48	43	39	36	33	31	29	
		50	45	45	45	45	45	45	45	43	39	36	33	31	29	
		60	42	42	42	42	42	42	42	42	39	36	33	31	29	
		70	39	39	39	39	39	39	39	39	39	36	33	31	29	
		80	36	36	36	36	36	36	36	36	36	36	33	31	29	
		90	34	34	34	34	34	34	34	34	34	34	33	31	29	

Notes:

1. Tables are based on critical rail span for load combinations as specified in chapter 2 of the ASCE 7-16 and allowable design loads per the 2015 Aluminum Design Manual.
2. Panels are assumed to be in portrait orientation with a maximum length of 82"

Max Rail Spans for SunModo SMR100 System

Roof Wind Zone		Ground Snow Load (psf)	Wind Speed (mph)													
			90	95	100	105	110	115	120	130	140	150	160	170	180	
Zone 1		0	94	94	90	84	78	72	68	61	56	51	47	44	41	
		10	73	73	73	72	71	70	68	61	56	51	47	44	41	
		20	56	56	56	56	56	56	56	55	54	51	47	44	41	
		30	56	56	56	56	56	56	56	56	55	54	51	47	44	41
		40	50	50	50	50	50	50	50	50	49	49	47	44	41	
		50	45	45	45	45	45	45	45	45	45	45	45	44	43	41
		60	42	42	42	42	42	42	42	42	42	42	42	41	41	40
		70	39	39	39	39	39	39	39	39	39	39	39	39	39	38
		80	36	36	36	36	36	36	36	36	36	36	36	36	36	36
		90	34	34	34	34	34	34	34	34	34	34	34	34	34	34
Zone 2r		0	90	84	78	72	67	63	59	53	48	44	40	37	35	
		10	73	73	73	72	67	63	59	53	48	44	40	37	35	
		20	56	56	56	56	56	56	56	53	48	44	40	37	35	
		30	56	56	56	56	56	56	56	53	48	44	40	37	35	
		40	50	50	50	50	50	50	50	50	48	44	40	37	35	
		50	45	45	45	45	45	45	45	45	45	45	44	40	37	35
		60	42	42	42	42	42	42	42	42	42	42	42	40	37	35
		70	39	39	39	39	39	39	39	39	39	39	39	39	37	35
		80	36	36	36	36	36	36	36	36	36	36	36	36	36	35
		90	34	34	34	34	34	34	34	34	34	34	34	34	34	34
Zones 2e & 3		0	86	79	73	68	64	60	56	50	46	42	38	35	33	
		10	73	73	73	68	64	60	56	50	46	42	38	35	33	
		20	56	56	56	56	56	56	56	50	46	42	38	35	33	
		30	56	56	56	56	56	56	56	50	46	42	38	35	33	
		40	50	50	50	50	50	50	50	50	46	42	38	35	33	
		50	45	45	45	45	45	45	45	45	45	45	42	38	35	33
		60	42	42	42	42	42	42	42	42	42	42	42	38	35	33
		70	39	39	39	39	39	39	39	39	39	39	39	38	35	33
		80	36	36	36	36	36	36	36	36	36	36	36	36	35	33
		90	34	34	34	34	34	34	34	34	34	34	34	34	34	33

Notes:

1. Tables are based on critical rail span for load combinations as specified in chapter 2 of the ASCE 7-16 and allowable design loads per the 2015 Aluminum Design Manual.
2. Panels are assumed to be in portrait orientation with a maximum length of 82"

Max Rail Spans for SunModo SMR100 System

Roof Wind Zone		Ground Snow Load (psf)	Wind Speed (mph)												
			90	95	100	105	110	115	120	130	140	150	160	170	180
Zone 1		0	77	71	66	62	58	55	52	47	43	40	37	34	32
		10	73	71	66	62	58	55	52	47	43	40	37	34	32
		20	56	56	56	56	56	55	52	47	43	40	37	34	32
		30	56	56	56	56	56	55	52	47	43	40	37	34	32
		40	50	50	50	50	50	50	50	47	43	40	37	34	32
		50	45	45	45	45	45	45	45	45	43	40	37	34	32
		60	42	42	42	42	42	42	42	42	42	40	37	34	32
		70	39	39	39	39	39	39	39	39	39	39	37	34	32
		80	36	36	36	36	36	36	36	36	36	36	36	34	32
		90	34	34	34	34	34	34	34	34	34	34	34	34	34
Zone 2r		0	67	62	58	54	51	48	45	40	37	34	32	30	28
		10	67	62	58	54	51	48	45	40	37	34	32	30	28
		20	56	56	56	54	51	48	45	40	37	34	32	30	28
		30	56	56	56	54	51	48	45	40	37	34	32	30	28
		40	50	50	50	50	50	48	45	40	37	34	32	30	28
		50	45	45	45	45	45	45	45	40	37	34	32	30	28
		60	42	42	42	42	42	42	42	40	37	34	32	30	28
		70	39	39	39	39	39	39	39	39	37	34	32	30	28
		80	36	36	36	36	36	36	36	36	36	34	32	30	28
		90	34	34	34	34	34	34	34	34	34	34	32	30	28
Zones 2e & 3		0	63	59	55	51	48	45	43	38	35	32	30	28	27
		10	63	59	55	51	48	45	43	38	35	32	30	28	27
		20	56	56	55	51	48	45	43	38	35	32	30	28	27
		30	56	56	55	51	48	45	43	38	35	32	30	28	27
		40	50	50	50	50	48	45	43	38	35	32	30	28	27
		50	45	45	45	45	45	45	43	38	35	32	30	28	27
		60	42	42	42	42	42	42	42	38	35	32	30	28	27
		70	39	39	39	39	39	39	39	38	35	32	30	28	27
		80	36	36	36	36	36	36	36	36	35	32	30	28	27
		90	34	34	34	34	34	34	34	34	34	32	30	28	27

Notes:

1. Tables are based on critical rail span for load combinations as specified in chapter 2 of the ASCE 7-16 and allowable design loads per the 2015 Aluminum Design Manual.
2. Panels are assumed to be in portrait orientation with a maximum length of 82"

Max Rail Spans for SunModo SMR100 System

Roof Wind Zone		Ground Snow Load (psf)	Wind Speed (mph)													
			90	95	100	105	110	115	120	130	140	150	160	170	180	
Zone 1		0	94	94	94	94	94	94	94	94	94	89	82	75	69	
		10	73	73	73	73	73	73	73	73	73	69	68	66	65	64
		20	56	56	56	56	56	56	56	56	56	56	56	55	54	53
		30	56	56	56	56	56	56	56	56	56	56	56	55	54	53
		40	50	50	50	50	50	50	50	50	50	50	50	50	50	49
		50	45	45	45	45	45	45	45	45	45	45	45	45	45	45
		60	42	42	42	42	42	42	42	42	42	42	42	42	42	42
		70	39	39	39	39	39	39	39	39	39	39	39	39	39	39
		80	36	36	36	36	36	36	36	36	36	36	36	36	36	36
		90	34	34	34	34	34	34	34	34	34	34	34	34	34	34
Zone 2r		0	94	94	94	94	94	91	87	77	69	62	57	52	48	
		10	73	73	73	73	73	73	73	73	73	69	62	57	52	48
		20	56	56	56	56	56	56	56	56	56	56	56	55	52	48
		30	56	56	56	56	56	56	56	56	56	56	56	55	52	48
		40	50	50	50	50	50	50	50	50	50	50	50	50	50	48
		50	45	45	45	45	45	45	45	45	45	45	45	45	45	45
		60	42	42	42	42	42	42	42	42	42	42	42	42	42	42
		70	39	39	39	39	39	39	39	39	39	39	39	39	39	39
		80	36	36	36	36	36	36	36	36	36	36	36	36	36	36
		90	34	34	34	34	34	34	34	34	34	34	34	34	34	34
Zones 2e & 3		0	94	94	94	94	94	94	94	92	84	76	69	63	58	
		10	73	73	73	73	73	73	73	73	73	69	68	66	63	58
		20	56	56	56	56	56	56	56	56	56	56	56	55	54	53
		30	56	56	56	56	56	56	56	56	56	56	56	55	54	53
		40	50	50	50	50	50	50	50	50	50	50	50	50	50	49
		50	45	45	45	45	45	45	45	45	45	45	45	45	45	45
		60	42	42	42	42	42	42	42	42	42	42	42	42	42	42
		70	39	39	39	39	39	39	39	39	39	39	39	39	39	39
		80	36	36	36	36	36	36	36	36	36	36	36	36	36	36
		90	34	34	34	34	34	34	34	34	34	34	34	34	34	34

Notes:

1. Tables are based on critical rail span for load combinations as specified in chapter 2 of the ASCE 7-16 and allowable design loads per the 2015 Aluminum Design Manual.
2. Panels are assumed to be in portrait orientation with a maximum length of 82"

Max Rail Spans for SunModo SMR100 System

Roof Wind Zone		Ground Snow Load (psf)	Wind Speed (mph)														
			90	95	100	105	110	115	120	130	140	150	160	170	180		
Zone 1		0	94	94	94	94	94	94	94	91	82	74	67	61	57	53	
		10	73	73	73	73	73	73	73	73	73	69	67	61	57	53	
		20	56	56	56	56	56	56	56	56	56	56	56	55	54	53	
		30	56	56	56	56	56	56	56	56	56	56	56	55	54	53	
		40	50	50	50	50	50	50	50	50	50	50	50	50	50	49	
		50	45	45	45	45	45	45	45	45	45	45	45	45	45	45	45
		60	42	42	42	42	42	42	42	42	42	42	42	42	42	42	42
		70	39	39	39	39	39	39	39	39	39	39	39	39	39	39	39
		80	36	36	36	36	36	36	36	36	36	36	36	36	36	36	36
		90	34	34	34	34	34	34	34	34	34	34	34	34	34	34	34
Zone 2r		0	94	90	84	78	73	68	64	57	51	47	43	40	37		
		10	73	73	73	73	73	68	64	57	51	47	43	40	37		
		20	56	56	56	56	56	56	56	56	51	47	43	40	37		
		30	56	56	56	56	56	56	56	56	51	47	43	40	37		
		40	50	50	50	50	50	50	50	50	50	47	43	40	37		
		50	45	45	45	45	45	45	45	45	45	45	45	43	40	37	
		60	42	42	42	42	42	42	42	42	42	42	42	42	40	37	
		70	39	39	39	39	39	39	39	39	39	39	39	39	39	37	
		80	36	36	36	36	36	36	36	36	36	36	36	36	36	36	36
		90	34	34	34	34	34	34	34	34	34	34	34	34	34	34	34
Zones 2e & 3		0	94	94	94	93	89	83	78	69	62	57	52	48	44		
		10	73	73	73	73	73	73	73	69	62	57	52	48	44		
		20	56	56	56	56	56	56	56	56	56	56	52	48	44		
		30	56	56	56	56	56	56	56	56	56	56	52	48	44		
		40	50	50	50	50	50	50	50	50	50	50	50	48	44		
		50	45	45	45	45	45	45	45	45	45	45	45	45	45	44	
		60	42	42	42	42	42	42	42	42	42	42	42	42	42	42	
		70	39	39	39	39	39	39	39	39	39	39	39	39	39	39	
		80	36	36	36	36	36	36	36	36	36	36	36	36	36	36	36
		90	34	34	34	34	34	34	34	34	34	34	34	34	34	34	34

Notes:

1. Tables are based on critical rail span for load combinations as specified in chapter 2 of the ASCE 7-16 and allowable design loads per the 2015 Aluminum Design Manual.
2. Panels are assumed to be in portrait orientation with a maximum length of 82"

Max Rail Spans for SunModo SMR100 System

Roof Wind Zone		Ground Snow Load (psf)	Wind Speed (mph)														
			90	95	100	105	110	115	120	130	140	150	160	170	180		
Zone 1		0	94	94	94	94	94	94	94	87	78	70	64	59	55		
		10	73	73	73	73	73	72	69	67	66	64	62	59	55		
		20	56	56	56	56	56	56	56	56	56	55	54	53	51	50	
		30	56	56	56	56	56	56	56	56	56	55	54	53	51	50	
		40	50	50	50	50	50	50	50	50	50	50	49	48	47	46	
		50	45	45	45	45	45	45	45	45	45	45	45	45	45	44	43
		60	42	42	42	42	42	42	42	42	42	42	42	42	42	41	41
		70	39	39	39	39	39	39	39	39	39	39	39	39	39	39	39
		80	36	36	36	36	36	36	36	36	36	36	36	36	36	36	36
		90	34	34	34	34	34	34	34	34	34	34	34	34	34	34	34
Zone 2r		0	94	93	88	82	77	72	67	60	54	49	45	42	38		
		10	73	73	73	73	73	72	67	60	54	49	45	42	38		
		20	56	56	56	56	56	56	56	56	56	54	49	45	42	38	
		30	56	56	56	56	56	56	56	56	56	54	49	45	42	38	
		40	50	50	50	50	50	50	50	50	50	50	49	45	42	38	
		50	45	45	45	45	45	45	45	45	45	45	45	45	45	42	38
		60	42	42	42	42	42	42	42	42	42	42	42	42	42	41	38
		70	39	39	39	39	39	39	39	39	39	39	39	39	39	39	38
		80	36	36	36	36	36	36	36	36	36	36	36	36	36	36	36
		90	34	34	34	34	34	34	34	34	34	34	34	34	34	34	34
Zones 2e & 3		0	94	94	94	94	92	88	82	73	65	59	54	50	46		
		10	73	73	73	73	73	72	69	67	65	59	54	50	46		
		20	56	56	56	56	56	56	56	56	56	55	54	53	50	46	
		30	56	56	56	56	56	56	56	56	56	55	54	53	50	46	
		40	50	50	50	50	50	50	50	50	50	50	49	48	47	46	
		50	45	45	45	45	45	45	45	45	45	45	45	45	45	44	43
		60	42	42	42	42	42	42	42	42	42	42	42	42	42	41	41
		70	39	39	39	39	39	39	39	39	39	39	39	39	39	39	39
		80	36	36	36	36	36	36	36	36	36	36	36	36	36	36	36
		90	34	34	34	34	34	34	34	34	34	34	34	34	34	34	34

Notes:

1. Tables are based on critical rail span for load combinations as specified in chapter 2 of the ASCE 7-16 and allowable design loads per the 2015 Aluminum Design Manual.
2. Panels are assumed to be in portrait orientation with a maximum length of 82"

Max Rail Spans for SunModo SMR100 System

Roof Wind Zone		Ground Snow Load (psf)	Wind Speed (mph)													
			90	95	100	105	110	115	120	130	140	150	160	170	180	
Zone 1		0	94	94	92	88	82	77	72	65	59	54	50	46	43	
		10	73	73	73	73	73	72	69	65	59	54	50	46	43	
		20	56	56	56	56	56	56	56	56	55	54	50	46	43	
		30	56	56	56	56	56	56	56	56	55	54	50	46	43	
		40	50	50	50	50	50	50	50	50	50	49	48	46	43	
		50	45	45	45	45	45	45	45	45	45	45	45	45	44	43
		60	42	42	42	42	42	42	42	42	42	42	42	42	41	41
		70	39	39	39	39	39	39	39	39	39	39	39	39	39	39
		80	36	36	36	36	36	36	36	36	36	36	36	36	36	36
		90	34	34	34	34	34	34	34	34	34	34	34	34	34	34
Zone 2r		0	76	70	65	61	57	53	50	45	41	37	35	32	31	
		10	73	70	65	61	57	53	50	45	41	37	35	32	31	
		20	56	56	56	56	56	53	50	45	41	37	35	32	31	
		30	56	56	56	56	56	53	50	45	41	37	35	32	31	
		40	50	50	50	50	50	50	50	45	41	37	35	32	31	
		50	45	45	45	45	45	45	45	45	45	41	37	35	32	31
		60	42	42	42	42	42	42	42	42	42	41	37	35	32	31
		70	39	39	39	39	39	39	39	39	39	39	37	35	32	31
		80	36	36	36	36	36	36	36	36	36	36	36	35	32	31
		90	34	34	34	34	34	34	34	34	34	34	34	34	32	31
Zones 2e & 3		0	91	86	80	74	69	65	61	55	49	45	41	38	36	
		10	73	73	73	73	69	65	61	55	49	45	41	38	36	
		20	56	56	56	56	56	56	56	55	49	45	41	38	36	
		30	56	56	56	56	56	56	56	55	49	45	41	38	36	
		40	50	50	50	50	50	50	50	50	49	45	41	38	36	
		50	45	45	45	45	45	45	45	45	45	45	45	41	38	36
		60	42	42	42	42	42	42	42	42	42	42	42	41	38	36
		70	39	39	39	39	39	39	39	39	39	39	39	39	38	36
		80	36	36	36	36	36	36	36	36	36	36	36	36	36	36
		90	34	34	34	34	34	34	34	34	34	34	34	34	34	34

Notes:

1. Tables are based on critical rail span for load combinations as specified in chapter 2 of the ASCE 7-16 and allowable design loads per the 2015 Aluminum Design Manual.
2. Panels are assumed to be in portrait orientation with a maximum length of 82"

Max Rail Spans for SunModo SMR100 System

Roof Wind Zone		Ground Snow Load (psf)	Wind Speed (mph)														
			90	95	100	105	110	115	120	130	140	150	160	170	180		
Zone 1		0	94	94	94	94	94	90	86	76	69	63	58	53	50		
		10	73	73	73	72	69	68	67	65	63	62	58	53	50		
		20	56	56	56	56	56	56	56	56	55	53	52	51	50	49	
		30	56	56	56	56	56	56	56	56	55	53	52	51	50	49	
		40	50	50	50	50	50	50	50	50	50	49	48	47	46	45	
		50	45	45	45	45	45	45	45	45	45	45	45	44	43	42	
		60	42	42	42	42	42	42	42	42	42	42	42	41	41	40	
		70	39	39	39	39	39	39	39	39	39	39	39	39	39	38	38
		80	36	36	36	36	36	36	36	36	36	36	36	36	36	36	36
		90	34	34	34	34	34	34	34	34	34	34	34	34	34	34	34
Zone 2r		0	90	84	78	72	67	63	59	53	48	44	40	37	35		
		10	73	73	73	72	67	63	59	53	48	44	40	37	35		
		20	56	56	56	56	56	56	56	56	53	48	44	40	37	35	
		30	56	56	56	56	56	56	56	56	53	48	44	40	37	35	
		40	50	50	50	50	50	50	50	50	50	48	44	40	37	35	
		50	45	45	45	45	45	45	45	45	45	45	44	40	37	35	
		60	42	42	42	42	42	42	42	42	42	42	42	40	37	35	
		70	39	39	39	39	39	39	39	39	39	39	39	39	39	37	35
		80	36	36	36	36	36	36	36	36	36	36	36	36	36	36	35
		90	34	34	34	34	34	34	34	34	34	34	34	34	34	34	34
Zones 2e & 3		0	94	94	92	88	83	77	72	64	58	53	48	45	42		
		10	73	73	73	72	69	68	67	64	58	53	48	45	42		
		20	56	56	56	56	56	56	56	56	55	53	52	48	45	42	
		30	56	56	56	56	56	56	56	56	55	53	52	48	45	42	
		40	50	50	50	50	50	50	50	50	50	49	48	47	45	42	
		50	45	45	45	45	45	45	45	45	45	45	45	44	43	42	
		60	42	42	42	42	42	42	42	42	42	42	42	41	41	40	
		70	39	39	39	39	39	39	39	39	39	39	39	39	39	38	38
		80	36	36	36	36	36	36	36	36	36	36	36	36	36	36	36
		90	34	34	34	34	34	34	34	34	34	34	34	34	34	34	34

Notes:

1. Tables are based on critical rail span for load combinations as specified in chapter 2 of the ASCE 7-16 and allowable design loads per the 2015 Aluminum Design Manual.
2. Panels are assumed to be in portrait orientation with a maximum length of 82"

Max Rail Spans for SunModo SMR100 System

Roof Wind Zone		Ground Snow Load (psf)	Wind Speed (mph)														
			90	95	100	105	110	115	120	130	140	150	160	170	180		
Zone 1		0	94	89	84	78	72	68	64	58	53	49	45	42	39		
		10	73	73	73	72	69	68	64	58	53	49	45	42	39		
		20	56	56	56	56	56	56	56	55	53	49	45	42	39		
		30	56	56	56	56	56	56	56	55	53	49	45	42	39		
		40	50	50	50	50	50	50	50	50	49	48	45	42	39		
		50	45	45	45	45	45	45	45	45	45	45	45	44	42	39	
		60	42	42	42	42	42	42	42	42	42	42	42	41	41	39	
		70	39	39	39	39	39	39	39	39	39	39	39	39	39	38	38
		80	36	36	36	36	36	36	36	36	36	36	36	36	36	36	36
		90	34	34	34	34	34	34	34	34	34	34	34	34	34	34	34
Zone 2r		0	67	62	58	54	51	48	45	40	37	34	32	30	28		
		10	67	62	58	54	51	48	45	40	37	34	32	30	28		
		20	56	56	56	54	51	48	45	40	37	34	32	30	28		
		30	56	56	56	54	51	48	45	40	37	34	32	30	28		
		40	50	50	50	50	50	48	45	40	37	34	32	30	28		
		50	45	45	45	45	45	45	45	40	37	34	32	30	28		
		60	42	42	42	42	42	42	42	40	37	34	32	30	28		
		70	39	39	39	39	39	39	39	39	39	37	34	32	30	28	
		80	36	36	36	36	36	36	36	36	36	36	34	32	30	28	
		90	34	34	34	34	34	34	34	34	34	34	34	32	30	28	
Zones 2e & 3		0	82	76	70	65	61	58	54	49	44	40	37	34	32		
		10	73	73	70	65	61	58	54	49	44	40	37	34	32		
		20	56	56	56	56	56	56	54	49	44	40	37	34	32		
		30	56	56	56	56	56	56	54	49	44	40	37	34	32		
		40	50	50	50	50	50	50	50	49	44	40	37	34	32		
		50	45	45	45	45	45	45	45	45	44	40	37	34	32		
		60	42	42	42	42	42	42	42	42	42	40	37	34	32		
		70	39	39	39	39	39	39	39	39	39	39	39	37	34	32	
		80	36	36	36	36	36	36	36	36	36	36	36	36	34	32	
		90	34	34	34	34	34	34	34	34	34	34	34	34	34	32	

Notes:

1. Tables are based on critical rail span for load combinations as specified in chapter 2 of the ASCE 7-16 and allowable design loads per the 2015 Aluminum Design Manual.
2. Panels are assumed to be in portrait orientation with a maximum length of 82"

Max Rail Spans for SunModo SMR100 System

Table 91a		Mean Roof Height:	15 < h ≤ 30 ft		Panel Orientation:	Portrait								
		Roof Angle:	20 < θ ≤ 27 degrees		North/South Support	X _E = 1								
		Exposure Category:	B		Roof Type :	Hip								
Roof Wind Zone	Ground Snow Load (psf)	Wind Speed (mph)												
		90	95	100	105	110	115	120	130	140	150	160	170	180
Zone 1	0	94	94	94	94	94	94	94	94	94	92	87	81	73
	10	79	79	79	79	79	79	79	79	78	76	74	73	71
	20	66	66	66	66	66	66	66	66	65	64	63	62	61
	30	56	56	56	56	56	56	56	56	56	56	56	55	54
	40	50	50	50	50	50	50	50	50	50	50	50	50	49
	50	45	45	45	45	45	45	45	45	45	45	45	45	45
	60	42	42	42	42	42	42	42	42	42	42	42	42	42
	70	39	39	39	39	39	39	39	39	39	39	39	39	39
	80	36	36	36	36	36	36	36	36	36	36	36	36	36
	90	35	35	35	35	35	35	35	35	35	35	35	35	35
Zones 2e, 2r, & 3	0	94	94	94	94	94	94	94	89	82	73	66	60	55
	10	79	79	79	79	79	79	79	79	78	73	66	60	55
	20	66	66	66	66	66	66	66	66	65	64	63	60	55
	30	56	56	56	56	56	56	56	56	56	56	56	55	54
	40	50	50	50	50	50	50	50	50	50	50	50	50	49
	50	45	45	45	45	45	45	45	45	45	45	45	45	45
	60	42	42	42	42	42	42	42	42	42	42	42	42	42
	70	39	39	39	39	39	39	39	39	39	39	39	39	39
	80	36	36	36	36	36	36	36	36	36	36	36	36	36
	90	35	35	35	35	35	35	35	35	35	35	35	35	35

Notes:

1. Tables are based on critical rail span for load combinations as specified in chapter 2 of the ASCE 7-16 and allowable design loads per the 2015 Aluminum Design Manual.
2. Panels are assumed to be in portrait orientation with a maximum length of 82"

Max Rail Spans for SunModo SMR100 System

Roof Wind Zone		Ground Snow Load (psf)	Wind Speed (mph)														
			90	95	100	105	110	115	120	130	140	150	160	170	180		
Zone 1		0	94	94	94	94	94	94	94	87	80	71	64	59	54		
		10	79	79	79	79	79	79	79	79	79	78	71	64	59	54	
		20	66	66	66	66	66	66	66	66	66	65	64	63	59	54	
		30	56	56	56	56	56	56	56	56	56	56	56	56	55	54	
		40	50	50	50	50	50	50	50	50	50	50	50	50	50	49	
		50	45	45	45	45	45	45	45	45	45	45	45	45	45	45	45
		60	42	42	42	42	42	42	42	42	42	42	42	42	42	42	42
		70	39	39	39	39	39	39	39	39	39	39	39	39	39	39	39
		80	36	36	36	36	36	36	36	36	36	36	36	36	36	36	36
		90	35	35	35	35	35	35	35	35	35	35	35	35	35	35	35
Zones 2e, 2r, & 3		0	94	94	94	89	86	81	75	67	60	54	49	45	42		
		10	79	79	79	79	79	79	79	75	67	60	54	49	45	42	
		20	66	66	66	66	66	66	66	66	66	60	54	49	45	42	
		30	56	56	56	56	56	56	56	56	56	56	54	49	45	42	
		40	50	50	50	50	50	50	50	50	50	50	50	49	45	42	
		50	45	45	45	45	45	45	45	45	45	45	45	45	45	45	42
		60	42	42	42	42	42	42	42	42	42	42	42	42	42	42	42
		70	39	39	39	39	39	39	39	39	39	39	39	39	39	39	39
		80	36	36	36	36	36	36	36	36	36	36	36	36	36	36	36
		90	35	35	35	35	35	35	35	35	35	35	35	35	35	35	35

Notes:

1. Tables are based on critical rail span for load combinations as specified in chapter 2 of the ASCE 7-16 and allowable design loads per the 2015 Aluminum Design Manual.
2. Panels are assumed to be in portrait orientation with a maximum length of 82"

Max Rail Spans for SunModo SMR100 System

Roof Wind Zone		Ground Snow Load (psf)	Wind Speed (mph)													
			90	95	100	105	110	115	120	130	140	150	160	170	180	
Zone 1		0	94	94	94	94	94	94	94	90	84	75	68	62	57	
		10	79	79	79	79	79	78	77	75	73	71	68	62	57	
		20	66	66	66	66	66	66	66	65	64	62	61	60	58	57
		30	56	56	56	56	56	56	56	56	56	55	54	53	52	51
		40	50	50	50	50	50	50	50	50	50	50	50	49	48	47
		50	45	45	45	45	45	45	45	45	45	45	45	45	44	44
		60	42	42	42	42	42	42	42	42	42	42	42	42	42	41
		70	39	39	39	39	39	39	39	39	39	39	39	39	39	39
		80	36	36	36	36	36	36	36	36	36	36	36	36	36	36
		90	35	35	35	35	35	35	35	35	35	35	35	35	35	35
Zones 2e, 2r, & 3		0	94	94	94	92	88	85	80	70	63	57	52	47	44	
		10	79	79	79	79	79	78	77	70	63	57	52	47	44	
		20	66	66	66	66	66	66	66	65	64	62	57	52	47	44
		30	56	56	56	56	56	56	56	56	56	55	54	52	47	44
		40	50	50	50	50	50	50	50	50	50	50	50	49	47	44
		50	45	45	45	45	45	45	45	45	45	45	45	45	44	44
		60	42	42	42	42	42	42	42	42	42	42	42	42	42	41
		70	39	39	39	39	39	39	39	39	39	39	39	39	39	39
		80	36	36	36	36	36	36	36	36	36	36	36	36	36	36
		90	35	35	35	35	35	35	35	35	35	35	35	35	35	35

Notes:

1. Tables are based on critical rail span for load combinations as specified in chapter 2 of the ASCE 7-16 and allowable design loads per the 2015 Aluminum Design Manual.
2. Panels are assumed to be in portrait orientation with a maximum length of 82"

Max Rail Spans for SunModo SMR100 System

Roof Wind Zone		Ground Snow Load (psf)	Wind Speed (mph)													
			90	95	100	105	110	115	120	130	140	150	160	170	180	
Zone 1		0	94	94	94	91	87	84	78	68	61	55	50	46	43	
		10	79	79	79	79	79	78	77	68	61	55	50	46	43	
		20	66	66	66	66	66	66	66	65	64	61	55	50	46	43
		30	56	56	56	56	56	56	56	56	56	55	54	50	46	43
		40	50	50	50	50	50	50	50	50	50	50	50	49	46	43
		50	45	45	45	45	45	45	45	45	45	45	45	45	44	43
		60	42	42	42	42	42	42	42	42	42	42	42	42	42	41
		70	39	39	39	39	39	39	39	39	39	39	39	39	39	39
		80	36	36	36	36	36	36	36	36	36	36	36	36	36	36
		90	35	35	35	35	35	35	35	35	35	35	35	35	35	35
Zones 2e, 2r, & 3		0	88	84	77	71	66	62	58	52	47	43	39	36	34	
		10	79	79	77	71	66	62	58	52	47	43	39	36	34	
		20	66	66	66	66	66	62	58	52	47	43	39	36	34	
		30	56	56	56	56	56	56	56	52	47	43	39	36	34	
		40	50	50	50	50	50	50	50	50	47	43	39	36	34	
		50	45	45	45	45	45	45	45	45	45	45	43	39	36	34
		60	42	42	42	42	42	42	42	42	42	42	42	39	36	34
		70	39	39	39	39	39	39	39	39	39	39	39	39	36	34
		80	36	36	36	36	36	36	36	36	36	36	36	36	36	34
		90	35	35	35	35	35	35	35	35	35	35	35	35	35	34

Notes:

1. Tables are based on critical rail span for load combinations as specified in chapter 2 of the ASCE 7-16 and allowable design loads per the 2015 Aluminum Design Manual.
2. Panels are assumed to be in portrait orientation with a maximum length of 82"

Max Rail Spans for SunModo SMR100 System

Roof Wind Zone		Ground Snow Load (psf)	Wind Speed (mph)													
			90	95	100	105	110	115	120	130	140	150	160	170	180	
Zone 1		0	94	94	94	94	94	93	90	83	73	66	60	54	50	
		10	79	79	79	79	78	76	75	73	71	66	60	54	50	
		20	66	66	66	66	65	64	64	62	61	59	58	54	50	
		30	56	56	56	56	56	56	56	56	55	54	53	52	51	49
		40	50	50	50	50	50	50	50	50	50	49	48	48	47	46
		50	45	45	45	45	45	45	45	45	45	45	45	44	43	43
		60	42	42	42	42	42	42	42	42	42	42	42	41	41	40
		70	39	39	39	39	39	39	39	39	39	39	39	39	39	38
		80	36	36	36	36	36	36	36	36	36	36	36	36	36	36
		90	35	35	35	35	35	35	35	35	35	35	35	35	35	35
Zones 2e, 2r, & 3		0	94	94	89	85	80	75	70	62	55	50	46	42	39	
		10	79	79	79	79	78	75	70	62	55	50	46	42	39	
		20	66	66	66	66	65	64	64	62	55	50	46	42	39	
		30	56	56	56	56	56	56	56	55	54	50	46	42	39	
		40	50	50	50	50	50	50	50	50	49	48	46	42	39	
		50	45	45	45	45	45	45	45	45	45	45	45	44	42	39
		60	42	42	42	42	42	42	42	42	42	42	42	41	41	39
		70	39	39	39	39	39	39	39	39	39	39	39	39	39	38
		80	36	36	36	36	36	36	36	36	36	36	36	36	36	36
		90	35	35	35	35	35	35	35	35	35	35	35	35	35	35

Notes:

1. Tables are based on critical rail span for load combinations as specified in chapter 2 of the ASCE 7-16 and allowable design loads per the 2015 Aluminum Design Manual.
2. Panels are assumed to be in portrait orientation with a maximum length of 82"

Max Rail Spans for SunModo SMR100 System

Roof Wind Zone		Ground Snow Load (psf)	Wind Speed (mph)													
			90	95	100	105	110	115	120	130	140	150	160	170	180	
Zone 1		0	94	93	88	84	78	73	68	60	54	49	45	41	38	
		10	79	79	79	79	78	73	68	60	54	49	45	41	38	
		20	66	66	66	66	65	64	64	60	54	49	45	41	38	
		30	56	56	56	56	56	56	56	55	54	49	45	41	38	
		40	50	50	50	50	50	50	50	50	49	48	45	41	38	
		50	45	45	45	45	45	45	45	45	45	45	45	44	41	38
		60	42	42	42	42	42	42	42	42	42	42	42	41	41	38
		70	39	39	39	39	39	39	39	39	39	39	39	39	39	38
		80	36	36	36	36	36	36	36	36	36	36	36	36	36	36
		90	35	35	35	35	35	35	35	35	35	35	35	35	35	35
Zones 2e, 2r, & 3		0	80	73	68	63	59	55	52	46	42	38	35	33	31	
		10	79	73	68	63	59	55	52	46	42	38	35	33	31	
		20	66	66	66	63	59	55	52	46	42	38	35	33	31	
		30	56	56	56	56	56	55	52	46	42	38	35	33	31	
		40	50	50	50	50	50	50	50	46	42	38	35	33	31	
		50	45	45	45	45	45	45	45	45	42	38	35	33	31	
		60	42	42	42	42	42	42	42	42	42	38	35	33	31	
		70	39	39	39	39	39	39	39	39	39	38	35	33	31	
		80	36	36	36	36	36	36	36	36	36	36	35	33	31	
		90	35	35	35	35	35	35	35	35	35	35	35	35	33	31

Notes:

1. Tables are based on critical rail span for load combinations as specified in chapter 2 of the ASCE 7-16 and allowable design loads per the 2015 Aluminum Design Manual.
2. Panels are assumed to be in portrait orientation with a maximum length of 82"

Max Rail Spans for SunModo SMR100 System

Table 94a		Mean Roof Height: $15 < h \leq 30$ ft							Panel Orientation: Portrait					
		Roof Angle: $27 < \theta \leq 45$ degrees							North/South Support $X_E = 1$					
		Exposure Category: B							Roof Type: Hip					
Roof Wind Zone	Ground Snow Load (psf)	Wind Speed (mph)												
		90	95	100	105	110	115	120	130	140	150	160	170	180
Zone 1	0	94	94	94	94	94	94	94	94	93	88	83	77	70
	10	78	78	78	78	78	78	78	78	78	77	75	73	70
	20	68	68	68	68	68	68	68	68	67	66	64	63	62
	30	58	58	58	58	58	58	58	58	58	58	57	57	56
	40	52	52	52	52	52	52	52	52	52	52	52	52	51
	50	47	47	47	47	47	47	47	47	47	47	47	47	47
	60	43	43	43	43	43	43	43	43	43	43	43	43	43
	70	41	41	41	41	41	41	41	41	41	41	41	41	41
	80	38	38	38	38	38	38	38	38	38	38	38	38	38
90	36	36	36	36	36	36	36	36	36	36	36	36	36	
Zone 2e	0	94	94	94	94	94	94	94	94	94	87	82	74	66
	10	78	78	78	78	78	78	78	78	78	77	75	73	66
	20	68	68	68	68	68	68	68	68	67	66	64	63	62
	30	58	58	58	58	58	58	58	58	58	58	57	57	56
	40	52	52	52	52	52	52	52	52	52	52	52	52	51
	50	47	47	47	47	47	47	47	47	47	47	47	47	47
	60	43	43	43	43	43	43	43	43	43	43	43	43	43
	70	41	41	41	41	41	41	41	41	41	41	41	41	41
	80	38	38	38	38	38	38	38	38	38	38	38	38	38
90	36	36	36	36	36	36	36	36	36	36	36	36	36	
Zone 2r	0	94	94	94	94	94	94	92	85	80	70	63	57	52
	10	78	78	78	78	78	78	78	78	78	70	63	57	52
	20	68	68	68	68	68	68	68	68	67	66	63	57	52
	30	58	58	58	58	58	58	58	58	58	58	57	57	52
	40	52	52	52	52	52	52	52	52	52	52	52	52	51
	50	47	47	47	47	47	47	47	47	47	47	47	47	47
	60	43	43	43	43	43	43	43	43	43	43	43	43	43
	70	41	41	41	41	41	41	41	41	41	41	41	41	41
	80	38	38	38	38	38	38	38	38	38	38	38	38	38
90	36	36	36	36	36	36	36	36	36	36	36	36	36	
Zone 3	0	94	94	94	94	94	94	94	89	82	73	64	57	51
	10	78	78	78	78	78	78	78	78	78	73	64	57	51
	20	68	68	68	68	68	68	68	68	67	66	64	57	51
	30	58	58	58	58	58	58	58	58	58	58	57	57	51
	40	52	52	52	52	52	52	52	52	52	52	52	52	51
	50	47	47	47	47	47	47	47	47	47	47	47	47	47
	60	43	43	43	43	43	43	43	43	43	43	43	43	43
	70	41	41	41	41	41	41	41	41	41	41	41	41	41
	80	38	38	38	38	38	38	38	38	38	38	38	38	38
90	36	36	36	36	36	36	36	36	36	36	36	36	36	

Notes:

1. Tables are based on critical rail span for load combinations as specified in chapter 2 of the ASCE 7-16 and allowable design loads per the 2015 Aluminum Design Manual.
2. Panels are assumed to be in portrait orientation with a maximum length of 82"

Max Rail Spans for SunModo SMR100 System

Roof Wind Zone		Ground Snow Load (psf)	Wind Speed (mph)												
			90	95	100	105	110	115	120	130	140	150	160	170	180
Zone 1		0	94	94	94	94	94	93	89	83	76	68	61	56	51
		10	78	78	78	78	78	78	78	78	76	68	61	56	51
		20	68	68	68	68	68	68	68	68	67	66	61	56	51
		30	58	58	58	58	58	58	58	58	58	58	57	56	51
		40	52	52	52	52	52	52	52	52	52	52	52	52	51
		50	47	47	47	47	47	47	47	47	47	47	47	47	47
		60	43	43	43	43	43	43	43	43	43	43	43	43	43
		70	41	41	41	41	41	41	41	41	41	41	41	41	41
		80	38	38	38	38	38	38	38	38	38	38	38	38	38
		90	36	36	36	36	36	36	36	36	36	36	36	36	36
Zone 2e		0	94	94	94	94	94	93	89	82	73	63	56	51	46
		10	78	78	78	78	78	78	78	78	73	63	56	51	46
		20	68	68	68	68	68	68	68	68	67	63	56	51	46
		30	58	58	58	58	58	58	58	58	58	58	56	51	46
		40	52	52	52	52	52	52	52	52	52	52	52	51	46
		50	47	47	47	47	47	47	47	47	47	47	47	47	46
		60	43	43	43	43	43	43	43	43	43	43	43	43	43
		70	41	41	41	41	41	41	41	41	41	41	41	41	41
		80	38	38	38	38	38	38	38	38	38	38	38	38	38
		90	36	36	36	36	36	36	36	36	36	36	36	36	36
Zone 2r		0	94	94	90	86	83	79	73	63	56	50	46	42	39
		10	78	78	78	78	78	78	73	63	56	50	46	42	39
		20	68	68	68	68	68	68	68	63	56	50	46	42	39
		30	58	58	58	58	58	58	58	58	56	50	46	42	39
		40	52	52	52	52	52	52	52	52	52	50	46	42	39
		50	47	47	47	47	47	47	47	47	47	47	46	42	39
		60	43	43	43	43	43	43	43	43	43	43	43	42	39
		70	41	41	41	41	41	41	41	41	41	41	41	41	39
		80	38	38	38	38	38	38	38	38	38	38	38	38	38
		90	36	36	36	36	36	36	36	36	36	36	36	36	36
Zone 3		0	94	94	94	90	86	82	77	64	56	49	44	40	37
		10	78	78	78	78	78	78	77	64	56	49	44	40	37
		20	68	68	68	68	68	68	68	64	56	49	44	40	37
		30	58	58	58	58	58	58	58	58	56	49	44	40	37
		40	52	52	52	52	52	52	52	52	52	49	44	40	37
		50	47	47	47	47	47	47	47	47	47	47	44	40	37
		60	43	43	43	43	43	43	43	43	43	43	43	40	37
		70	41	41	41	41	41	41	41	41	41	41	41	40	37
		80	38	38	38	38	38	38	38	38	38	38	38	38	37
		90	36	36	36	36	36	36	36	36	36	36	36	36	36

Notes:

1. Tables are based on critical rail span for load combinations as specified in chapter 2 of the ASCE 7-16 and allowable design loads per the 2015 Aluminum Design Manual.
2. Panels are assumed to be in portrait orientation with a maximum length of 82"

Max Rail Spans for SunModo SMR100 System

Roof Wind Zone		Ground Snow Load (psf)	Wind Speed (mph)														
			90	95	100	105	110	115	120	130	140	150	160	170	180		
Zone 1		0	94	94	94	94	94	94	94	92	86	80	72	65	59	54	
		10	78	78	78	78	78	78	78	78	76	74	72	65	59	54	
		20	68	68	68	68	68	68	67	66	65	64	62	61	59	54	
		30	58	58	58	58	58	58	58	58	58	57	56	55	54	53	
		40	52	52	52	52	52	52	52	52	52	52	51	50	50	49	
		50	47	47	47	47	47	47	47	47	47	47	47	47	47	46	45
		60	43	43	43	43	43	43	43	43	43	43	43	43	43	43	43
		70	41	41	41	41	41	41	41	41	41	41	41	41	41	41	40
		80	38	38	38	38	38	38	38	38	38	38	38	38	38	38	38
90	36	36	36	36	36	36	36	36	36	36	36	36	36	36	36		
Zone 2e		0	94	94	94	94	94	94	94	92	85	78	68	60	54	49	
		10	78	78	78	78	78	78	78	78	76	74	68	60	54	49	
		20	68	68	68	68	68	68	67	66	65	64	62	60	54	49	
		30	58	58	58	58	58	58	58	58	58	57	56	55	54	49	
		40	52	52	52	52	52	52	52	52	52	52	51	50	50	49	
		50	47	47	47	47	47	47	47	47	47	47	47	47	47	46	45
		60	43	43	43	43	43	43	43	43	43	43	43	43	43	43	43
		70	41	41	41	41	41	41	41	41	41	41	41	41	41	41	40
		80	38	38	38	38	38	38	38	38	38	38	38	38	38	38	38
90	36	36	36	36	36	36	36	36	36	36	36	36	36	36	36		
Zone 2r		0	94	94	93	89	85	82	78	67	59	53	48	44	40		
		10	78	78	78	78	78	78	78	67	59	53	48	44	40		
		20	68	68	68	68	68	68	67	66	65	59	53	48	44	40	
		30	58	58	58	58	58	58	58	58	58	57	53	48	44	40	
		40	52	52	52	52	52	52	52	52	52	52	51	48	44	40	
		50	47	47	47	47	47	47	47	47	47	47	47	47	44	40	
		60	43	43	43	43	43	43	43	43	43	43	43	43	43	40	
		70	41	41	41	41	41	41	41	41	41	41	41	41	41	41	40
		80	38	38	38	38	38	38	38	38	38	38	38	38	38	38	38
90	36	36	36	36	36	36	36	36	36	36	36	36	36	36	36		
Zone 3		0	94	94	94	94	89	85	81	69	60	53	47	42	39		
		10	78	78	78	78	78	78	78	69	60	53	47	42	39		
		20	68	68	68	68	68	68	67	66	65	60	53	47	42	39	
		30	58	58	58	58	58	58	58	58	58	57	53	47	42	39	
		40	52	52	52	52	52	52	52	52	52	52	51	47	42	39	
		50	47	47	47	47	47	47	47	47	47	47	47	47	42	39	
		60	43	43	43	43	43	43	43	43	43	43	43	43	42	39	
		70	41	41	41	41	41	41	41	41	41	41	41	41	41	39	
		80	38	38	38	38	38	38	38	38	38	38	38	38	38	38	38
90	36	36	36	36	36	36	36	36	36	36	36	36	36	36	36		

Notes:

1. Tables are based on critical rail span for load combinations as specified in chapter 2 of the ASCE 7-16 and allowable design loads per the 2015 Aluminum Design Manual.
2. Panels are assumed to be in portrait orientation with a maximum length of 82"

Max Rail Spans for SunModo SMR100 System

Roof Wind Zone		Ground Snow Load (psf)	Wind Speed (mph)													
			90	95	100	105	110	115	120	130	140	150	160	170	180	
Zone 1		0	94	94	90	87	83	80	74	65	58	52	48	44	40	
		10	78	78	78	78	78	78	78	74	65	58	52	48	44	40
		20	68	68	68	68	68	68	67	66	65	58	52	48	44	40
		30	58	58	58	58	58	58	58	58	58	57	52	48	44	40
		40	52	52	52	52	52	52	52	52	52	52	51	48	44	40
		50	47	47	47	47	47	47	47	47	47	47	47	47	44	40
		60	43	43	43	43	43	43	43	43	43	43	43	43	43	40
		70	41	41	41	41	41	41	41	41	41	41	41	41	41	40
		80	38	38	38	38	38	38	38	38	38	38	38	38	38	38
		90	36	36	36	36	36	36	36	36	36	36	36	36	36	36
Zone 2e		0	94	94	90	86	82	77	71	61	53	47	43	39	36	
		10	78	78	78	78	78	77	71	61	53	47	43	39	36	
		20	68	68	68	68	68	67	66	61	53	47	43	39	36	
		30	58	58	58	58	58	58	58	58	53	47	43	39	36	
		40	52	52	52	52	52	52	52	52	52	47	43	39	36	
		50	47	47	47	47	47	47	47	47	47	47	47	43	39	36
		60	43	43	43	43	43	43	43	43	43	43	43	43	39	36
		70	41	41	41	41	41	41	41	41	41	41	41	41	39	36
		80	38	38	38	38	38	38	38	38	38	38	38	38	38	36
		90	36	36	36	36	36	36	36	36	36	36	36	36	36	36
Zone 2r		0	85	81	75	68	63	59	55	48	43	39	36	33	31	
		10	78	78	75	68	63	59	55	48	43	39	36	33	31	
		20	68	68	68	68	63	59	55	48	43	39	36	33	31	
		30	58	58	58	58	58	58	55	48	43	39	36	33	31	
		40	52	52	52	52	52	52	52	48	43	39	36	33	31	
		50	47	47	47	47	47	47	47	47	47	43	39	36	33	31
		60	43	43	43	43	43	43	43	43	43	43	39	36	33	31
		70	41	41	41	41	41	41	41	41	41	41	39	36	33	31
		80	38	38	38	38	38	38	38	38	38	38	38	36	33	31
		90	36	36	36	36	36	36	36	36	36	36	36	36	33	31
Zone 3		0	89	84	79	71	64	59	54	47	42	38	34	31	29	
		10	78	78	78	71	64	59	54	47	42	38	34	31	29	
		20	68	68	68	68	64	59	54	47	42	38	34	31	29	
		30	58	58	58	58	58	58	54	47	42	38	34	31	29	
		40	52	52	52	52	52	52	52	47	42	38	34	31	29	
		50	47	47	47	47	47	47	47	47	47	42	38	34	31	29
		60	43	43	43	43	43	43	43	43	43	42	38	34	31	29
		70	41	41	41	41	41	41	41	41	41	41	38	34	31	29
		80	38	38	38	38	38	38	38	38	38	38	38	34	31	29
		90	36	36	36	36	36	36	36	36	36	36	36	34	31	29

Notes:

1. Tables are based on critical rail span for load combinations as specified in chapter 2 of the ASCE 7-16 and allowable design loads per the 2015 Aluminum Design Manual.
2. Panels are assumed to be in portrait orientation with a maximum length of 82"

Max Rail Spans for SunModo SMR100 System

Table 96a		Mean Roof Height: $15 < h \leq 30$ ft					Panel Orientation: Portrait				North/South Support $X_E = 1$				
		Roof Angle: $27 < \theta \leq 45$ degrees					Exposure Category: D				Roof Type: Hip				
Roof Wind Zone	Ground Snow Load (psf)	Wind Speed (mph)													
		90	95	100	105	110	115	120	130	140	150	160	170	180	
Zone 1	0	94	94	94	94	92	89	85	79	70	63	57	52	48	
	10	78	78	78	78	78	77	76	74	70	63	57	52	48	
	20	68	68	68	67	66	66	65	64	62	61	57	52	48	
	30	58	58	58	58	58	58	58	57	56	55	53	52	48	
	40	52	52	52	52	52	52	52	52	51	50	49	48	47	
	50	47	47	47	47	47	47	47	47	47	47	47	46	45	44
	60	43	43	43	43	43	43	43	43	43	43	43	43	42	42
	70	41	41	41	41	41	41	41	41	41	41	41	41	40	40
	80	38	38	38	38	38	38	38	38	38	38	38	38	38	38
90	36	36	36	36	36	36	36	36	36	36	36	36	36	36	
Zone 2e	0	94	94	94	94	93	88	85	77	66	58	52	47	43	
	10	78	78	78	78	78	77	76	74	66	58	52	47	43	
	20	68	68	68	67	66	66	65	64	62	58	52	47	43	
	30	58	58	58	58	58	58	58	57	56	55	52	47	43	
	40	52	52	52	52	52	52	52	52	51	50	49	47	43	
	50	47	47	47	47	47	47	47	47	47	47	47	46	45	43
	60	43	43	43	43	43	43	43	43	43	43	43	43	42	42
	70	41	41	41	41	41	41	41	41	41	41	41	41	40	40
	80	38	38	38	38	38	38	38	38	38	38	38	38	38	38
90	36	36	36	36	36	36	36	36	36	36	36	36	36	36	
Zone 2r	0	94	90	86	82	78	72	67	58	52	47	42	39	36	
	10	78	78	78	78	78	72	67	58	52	47	42	39	36	
	20	68	68	68	67	66	66	65	58	52	47	42	39	36	
	30	58	58	58	58	58	58	58	57	52	47	42	39	36	
	40	52	52	52	52	52	52	52	52	51	47	42	39	36	
	50	47	47	47	47	47	47	47	47	47	47	47	42	39	36
	60	43	43	43	43	43	43	43	43	43	43	43	42	39	36
	70	41	41	41	41	41	41	41	41	41	41	41	41	39	36
	80	38	38	38	38	38	38	38	38	38	38	38	38	38	36
90	36	36	36	36	36	36	36	36	36	36	36	36	36	36	
Zone 3	0	94	94	90	86	81	75	69	59	51	45	41	37	34	
	10	78	78	78	78	78	75	69	59	51	45	41	37	34	
	20	68	68	68	67	66	66	65	59	51	45	41	37	34	
	30	58	58	58	58	58	58	58	57	51	45	41	37	34	
	40	52	52	52	52	52	52	52	52	51	45	41	37	34	
	50	47	47	47	47	47	47	47	47	47	45	41	37	34	
	60	43	43	43	43	43	43	43	43	43	43	41	37	34	
	70	41	41	41	41	41	41	41	41	41	41	41	37	34	
	80	38	38	38	38	38	38	38	38	38	38	38	38	37	34
90	36	36	36	36	36	36	36	36	36	36	36	36	36	34	

Notes:

1. Tables are based on critical rail span for load combinations as specified in chapter 2 of the ASCE 7-16 and allowable design loads per the 2015 Aluminum Design Manual.
2. Panels are assumed to be in portrait orientation with a maximum length of 82"

Max Rail Spans for SunModo SMR100 System

Roof Wind Zone		Ground Snow Load (psf)	Wind Speed (mph)												
			90	95	100	105	110	115	120	130	140	150	160	170	180
Zone 1		0	92	88	84	80	75	69	65	57	51	46	42	39	36
		10	78	78	78	78	75	69	65	57	51	46	42	39	36
		20	68	68	68	67	66	66	65	57	51	46	42	39	36
		30	58	58	58	58	58	58	58	57	51	46	42	39	36
		40	52	52	52	52	52	52	52	52	51	46	42	39	36
		50	47	47	47	47	47	47	47	47	47	46	42	39	36
		60	43	43	43	43	43	43	43	43	43	43	42	39	36
		70	41	41	41	41	41	41	41	41	41	41	41	39	36
		80	38	38	38	38	38	38	38	38	38	38	38	38	36
		90	36	36	36	36	36	36	36	36	36	36	36	36	36
Zone 2e		0	93	87	83	78	71	65	60	52	46	41	38	34	32
		10	78	78	78	78	71	65	60	52	46	41	38	34	32
		20	68	68	68	67	66	65	60	52	46	41	38	34	32
		30	58	58	58	58	58	58	58	52	46	41	38	34	32
		40	52	52	52	52	52	52	52	52	46	41	38	34	32
		50	47	47	47	47	47	47	47	47	46	41	38	34	32
		60	43	43	43	43	43	43	43	43	43	41	38	34	32
		70	41	41	41	41	41	41	41	41	41	41	38	34	32
		80	38	38	38	38	38	38	38	38	38	38	38	34	32
		90	36	36	36	36	36	36	36	36	36	36	36	34	32
Zone 2r		0	78	70	64	59	55	51	48	43	38	35	32	30	28
		10	78	70	64	59	55	51	48	43	38	35	32	30	28
		20	68	68	64	59	55	51	48	43	38	35	32	30	28
		30	58	58	58	58	55	51	48	43	38	35	32	30	28
		40	52	52	52	52	52	51	48	43	38	35	32	30	28
		50	47	47	47	47	47	47	47	43	38	35	32	30	28
		60	43	43	43	43	43	43	43	43	38	35	32	30	28
		70	41	41	41	41	41	41	41	41	38	35	32	30	28
		80	38	38	38	38	38	38	38	38	38	35	32	30	28
		90	36	36	36	36	36	36	36	36	36	35	32	30	28
Zone 3		0	81	73	66	60	55	51	47	41	37	33	31	28	26
		10	78	73	66	60	55	51	47	41	37	33	31	28	26
		20	68	68	66	60	55	51	47	41	37	33	31	28	26
		30	58	58	58	58	55	51	47	41	37	33	31	28	26
		40	52	52	52	52	52	51	47	41	37	33	31	28	26
		50	47	47	47	47	47	47	47	41	37	33	31	28	26
		60	43	43	43	43	43	43	43	41	37	33	31	28	26
		70	41	41	41	41	41	41	41	41	37	33	31	28	26
		80	38	38	38	38	38	38	38	38	37	33	31	28	26
		90	36	36	36	36	36	36	36	36	36	33	31	28	26

Notes:

1. Tables are based on critical rail span for load combinations as specified in chapter 2 of the ASCE 7-16 and allowable design loads per the 2015 Aluminum Design Manual.
2. Panels are assumed to be in portrait orientation with a maximum length of 82"

Max Rail Spans for SunModo SMR100 System

Table 97a		Mean Roof Height:	$h \leq 15$ ft							Panel Orientation:	Landscape				
		Roof Angle:	$0 < \theta \leq 7$ degrees							North/South Support	$X_E = 1$				
		Exposure Category:	B							Roof Type :	Gable				
Roof Wind Zone	Ground Snow Load (psf)	Wind Speed (mph)													
		90	95	100	105	110	115	120	130	140	150	160	170	180	
Zone 1'	0	118	118	118	118	118	118	118	118	118	118	118	118	115	
	10	108	108	108	108	108	108	108	108	108	108	108	108	108	
	20	88	88	88	88	88	88	88	88	88	88	88	88	88	
	30	86	86	86	86	86	86	86	86	86	86	86	86	86	
	40	76	76	76	76	76	76	76	76	76	76	76	76	76	
	50	69	69	69	69	69	69	69	69	69	69	69	69	69	
	60	63	63	63	63	63	63	63	63	63	63	63	63	63	
	70	59	59	59	59	59	59	59	59	59	59	59	59	59	
	80	55	55	55	55	55	55	55	55	55	55	55	55	55	
	90	52	52	52	52	52	52	52	52	52	52	52	52	52	
Zone 1	0	118	118	118	118	118	118	118	118	111	104	99	94	88	
	10	108	108	108	108	108	108	108	108	108	104	99	94	88	
	20	88	88	88	88	88	88	88	88	88	88	88	88	88	
	30	86	86	86	86	86	86	86	86	86	86	86	86	86	
	40	76	76	76	76	76	76	76	76	76	76	76	76	76	
	50	69	69	69	69	69	69	69	69	69	69	69	69	69	
	60	63	63	63	63	63	63	63	63	63	63	63	63	63	
	70	59	59	59	59	59	59	59	59	59	59	59	59	59	
	80	55	55	55	55	55	55	55	55	55	55	55	55	55	
	90	52	52	52	52	52	52	52	52	52	52	52	52	52	
Zone 2	0	118	118	118	118	118	116	111	104	97	92	85	78	72	
	10	108	108	108	108	108	108	108	104	97	92	85	78	72	
	20	88	88	88	88	88	88	88	88	88	88	85	78	72	
	30	86	86	86	86	86	86	86	86	86	86	85	78	72	
	40	76	76	76	76	76	76	76	76	76	76	76	76	72	
	50	69	69	69	69	69	69	69	69	69	69	69	69	69	
	60	63	63	63	63	63	63	63	63	63	63	63	63	63	
	70	59	59	59	59	59	59	59	59	59	59	59	59	59	
	80	55	55	55	55	55	55	55	55	55	55	55	55	55	
	90	52	52	52	52	52	52	52	52	52	52	52	52	52	
Zone 3	0	118	118	114	109	105	101	97	90	81	74	68	64	60	
	10	108	108	108	108	105	101	97	90	81	74	68	64	60	
	20	88	88	88	88	88	88	88	88	81	74	68	64	60	
	30	86	86	86	86	86	86	86	86	81	74	68	64	60	
	40	76	76	76	76	76	76	76	76	76	74	68	64	60	
	50	69	69	69	69	69	69	69	69	69	69	68	64	60	
	60	63	63	63	63	63	63	63	63	63	63	63	63	60	
	70	59	59	59	59	59	59	59	59	59	59	59	59	59	
	80	55	55	55	55	55	55	55	55	55	55	55	55	55	
	90	52	52	52	52	52	52	52	52	52	52	52	52	52	

Notes:

1. Tables are based on critical rail span for load combinations as specified in chapter 2 of the ASCE 7-16 and allowable design loads per the 2015 Aluminum Design Manual.
2. Panels are assumed to be in landscape orientation with a maximum width of 42"

Max Rail Spans for SunModo SMR100 System

Table 97b		Mean Roof Height:	$h \leq 15$ ft										Panel Orientation:	Landscape	
		Roof Angle:	$0 < \theta \leq 7$ degrees										North/South Support	$X_E = 1.5$	
		Exposure Category:	B										Roof Type :	Gable	
Roof Wind Zone	Ground Snow Load (psf)	Wind Speed (mph)													
		90	95	100	105	110	115	120	130	140	150	160	170	180	
Zone 1'	0	118	118	118	118	118	118	118	118	118	113	107	102	97	
	10	108	108	108	108	108	108	108	108	108	108	107	102	97	
	20	88	88	88	88	88	88	88	88	88	88	88	88	88	
	30	86	86	86	86	86	86	86	86	86	86	86	86	86	
	40	76	76	76	76	76	76	76	76	76	76	76	76	76	
	50	69	69	69	69	69	69	69	69	69	69	69	69	69	
	60	63	63	63	63	63	63	63	63	63	63	63	63	63	
	70	59	59	59	59	59	59	59	59	59	59	59	59	59	
	80	55	55	55	55	55	55	55	55	55	55	55	55	55	
90	52	52	52	52	52	52	52	52	52	52	52	52	52		
Zone 1	0	118	118	118	118	115	110	106	99	93	86	79	73	68	
	10	108	108	108	108	108	108	106	99	93	86	79	73	68	
	20	88	88	88	88	88	88	88	88	88	86	79	73	68	
	30	86	86	86	86	86	86	86	86	86	86	79	73	68	
	40	76	76	76	76	76	76	76	76	76	76	76	73	68	
	50	69	69	69	69	69	69	69	69	69	69	69	69	68	
	60	63	63	63	63	63	63	63	63	63	63	63	63	63	
	70	59	59	59	59	59	59	59	59	59	59	59	59	59	
	80	55	55	55	55	55	55	55	55	55	55	55	55	55	
90	52	52	52	52	52	52	52	52	52	52	52	52	52		
Zone 2	0	118	114	109	105	100	97	93	85	77	71	66	61	58	
	10	108	108	108	105	100	97	93	85	77	71	66	61	58	
	20	88	88	88	88	88	88	88	85	77	71	66	61	58	
	30	86	86	86	86	86	86	86	85	77	71	66	61	58	
	40	76	76	76	76	76	76	76	76	76	71	66	61	58	
	50	69	69	69	69	69	69	69	69	69	69	66	61	58	
	60	63	63	63	63	63	63	63	63	63	63	63	61	58	
	70	59	59	59	59	59	59	59	59	59	59	59	59	58	
	80	55	55	55	55	55	55	55	55	55	55	55	55	55	
90	52	52	52	52	52	52	52	52	52	52	52	52	52		
Zone 3	0	104	100	95	91	86	81	76	69	63	59	55	52	49	
	10	104	100	95	91	86	81	76	69	63	59	55	52	49	
	20	88	88	88	88	86	81	76	69	63	59	55	52	49	
	30	86	86	86	86	86	81	76	69	63	59	55	52	49	
	40	76	76	76	76	76	76	76	69	63	59	55	52	49	
	50	69	69	69	69	69	69	69	69	63	59	55	52	49	
	60	63	63	63	63	63	63	63	63	63	59	55	52	49	
	70	59	59	59	59	59	59	59	59	59	59	55	52	49	
	80	55	55	55	55	55	55	55	55	55	55	55	52	49	
90	52	52	52	52	52	52	52	52	52	52	52	52	49		

Notes:

1. Tables are based on critical rail span for load combinations as specified in chapter 2 of the ASCE 7-16 and allowable design loads per the 2015 Aluminum Design Manual.
2. Panels are assumed to be in landscape orientation with a maximum width of 42"

Max Rail Spans for SunModo SMR100 System

Table 98a		Mean Roof Height:	$h \leq 15$ ft										Panel Orientation:	Landscape
		Roof Angle:	$0 < \theta \leq 7$ degrees										North/South Support	$X_E = 1$
		Exposure Category:	C										Roof Type :	Gable
Roof Wind Zone	Ground Snow Load (psf)	Wind Speed (mph)												
		90	95	100	105	110	115	120	130	140	150	160	170	180
Zone 1'	0	118	118	118	118	118	118	118	118	118	113	107	102	97
	10	108	108	108	108	108	108	108	108	108	108	107	102	97
	20	88	88	88	88	88	88	88	88	88	88	88	88	88
	30	86	86	86	86	86	86	86	86	86	86	86	86	86
	40	76	76	76	76	76	76	76	76	76	76	76	76	76
	50	69	69	69	69	69	69	69	69	69	69	69	69	69
	60	63	63	63	63	63	63	63	63	63	63	63	63	63
	70	59	59	59	59	59	59	59	59	59	59	59	59	59
	80	55	55	55	55	55	55	55	55	55	55	55	55	55
90	52	52	52	52	52	52	52	52	52	52	52	52	52	
Zone 1	0	118	118	118	118	115	111	107	99	93	86	79	73	68
	10	108	108	108	108	108	108	107	99	93	86	79	73	68
	20	88	88	88	88	88	88	88	88	88	86	79	73	68
	30	86	86	86	86	86	86	86	86	86	86	79	73	68
	40	76	76	76	76	76	76	76	76	76	76	76	73	68
	50	69	69	69	69	69	69	69	69	69	69	69	69	68
	60	63	63	63	63	63	63	63	63	63	63	63	63	63
	70	59	59	59	59	59	59	59	59	59	59	59	59	59
	80	55	55	55	55	55	55	55	55	55	55	55	55	55
90	52	52	52	52	52	52	52	52	52	52	52	52	52	
Zone 2	0	118	115	109	105	101	97	93	85	77	71	66	62	58
	10	108	108	108	105	101	97	93	85	77	71	66	62	58
	20	88	88	88	88	88	88	88	85	77	71	66	62	58
	30	86	86	86	86	86	86	86	85	77	71	66	62	58
	40	76	76	76	76	76	76	76	76	76	71	66	62	58
	50	69	69	69	69	69	69	69	69	69	69	66	62	58
	60	63	63	63	63	63	63	63	63	63	63	63	62	58
	70	59	59	59	59	59	59	59	59	59	59	59	59	58
	80	55	55	55	55	55	55	55	55	55	55	55	55	55
90	52	52	52	52	52	52	52	52	52	52	52	52	52	
Zone 3	0	105	100	95	92	86	81	77	69	64	59	55	52	49
	10	105	100	95	92	86	81	77	69	64	59	55	52	49
	20	88	88	88	88	86	81	77	69	64	59	55	52	49
	30	86	86	86	86	86	81	77	69	64	59	55	52	49
	40	76	76	76	76	76	76	76	69	64	59	55	52	49
	50	69	69	69	69	69	69	69	69	64	59	55	52	49
	60	63	63	63	63	63	63	63	63	63	59	55	52	49
	70	59	59	59	59	59	59	59	59	59	59	55	52	49
	80	55	55	55	55	55	55	55	55	55	55	55	52	49
90	52	52	52	52	52	52	52	52	52	52	52	52	49	

Notes:

1. Tables are based on critical rail span for load combinations as specified in chapter 2 of the ASCE 7-16 and allowable design loads per the 2015 Aluminum Design Manual.
2. Panels are assumed to be in landscape orientation with a maximum width of 42"

Max Rail Spans for SunModo SMR100 System

Table 98b		Mean Roof Height:	$h \leq 15$ ft										Panel Orientation:	Landscape
		Roof Angle:	$0 < \theta \leq 7$ degrees										North/South Support	$\chi_E = 1.5$
		Exposure Category:	C										Roof Type :	Gable
Roof Wind Zone	Ground Snow Load (psf)	Wind Speed (mph)												
		90	95	100	105	110	115	120	130	140	150	160	170	180
Zone 1'	0	118	118	118	118	118	118	115	108	101	96	91	84	78
	10	108	108	108	108	108	108	108	108	101	96	91	84	78
	20	88	88	88	88	88	88	88	88	88	88	88	84	78
	30	86	86	86	86	86	86	86	86	86	86	86	84	78
	40	76	76	76	76	76	76	76	76	76	76	76	76	76
	50	69	69	69	69	69	69	69	69	69	69	69	69	69
	60	63	63	63	63	63	63	63	63	63	63	63	63	63
	70	59	59	59	59	59	59	59	59	59	59	59	59	59
	80	55	55	55	55	55	55	55	55	55	55	55	55	55
	90	52	52	52	52	52	52	52	52	52	52	52	52	52
Zone 1	0	115	110	105	100	96	93	89	80	73	67	62	58	55
	10	108	108	105	100	96	93	89	80	73	67	62	58	55
	20	88	88	88	88	88	88	88	80	73	67	62	58	55
	30	86	86	86	86	86	86	86	80	73	67	62	58	55
	40	76	76	76	76	76	76	76	76	73	67	62	58	55
	50	69	69	69	69	69	69	69	69	69	67	62	58	55
	60	63	63	63	63	63	63	63	63	63	63	62	58	55
	70	59	59	59	59	59	59	59	59	59	59	59	58	55
	80	55	55	55	55	55	55	55	55	55	55	55	55	55
	90	52	52	52	52	52	52	52	52	52	52	52	52	52
Zone 2	0	100	96	92	87	81	77	73	66	61	57	53	50	47
	10	100	96	92	87	81	77	73	66	61	57	53	50	47
	20	88	88	88	87	81	77	73	66	61	57	53	50	47
	30	86	86	86	86	81	77	73	66	61	57	53	50	47
	40	76	76	76	76	76	76	73	66	61	57	53	50	47
	50	69	69	69	69	69	69	69	66	61	57	53	50	47
	60	63	63	63	63	63	63	63	63	61	57	53	50	47
	70	59	59	59	59	59	59	59	59	59	57	53	50	47
	80	55	55	55	55	55	55	55	55	55	55	53	50	47
	90	52	52	52	52	52	52	52	52	52	52	52	50	47
Zone 3	0	86	80	75	70	66	63	60	56	51	48	45	42	40
	10	86	80	75	70	66	63	60	56	51	48	45	42	40
	20	86	80	75	70	66	63	60	56	51	48	45	42	40
	30	86	80	75	70	66	63	60	56	51	48	45	42	40
	40	76	76	75	70	66	63	60	56	51	48	45	42	40
	50	69	69	69	69	66	63	60	56	51	48	45	42	40
	60	63	63	63	63	63	63	60	56	51	48	45	42	40
	70	59	59	59	59	59	59	59	56	51	48	45	42	40
	80	55	55	55	55	55	55	55	55	51	48	45	42	40
	90	52	52	52	52	52	52	52	52	51	48	45	42	40

Notes:

1. Tables are based on critical rail span for load combinations as specified in chapter 2 of the ASCE 7-16 and allowable design loads per the 2015 Aluminum Design Manual.
2. Panels are assumed to be in landscape orientation with a maximum width of 42"

Max Rail Spans for SunModo SMR100 System

Table 99a		Mean Roof Height:	$h \leq 15$ ft							Panel Orientation:	Landscape				
		Roof Angle:	$0 < \theta \leq 7$ degrees							North/South Support	$X_E = 1$				
		Exposure Category:	D							Roof Type :	Gable				
Roof Wind Zone	Ground Snow Load (psf)	Wind Speed (mph)													
		90	95	100	105	110	115	120	130	140	150	160	170	180	
Zone 1'	0	118	118	118	118	118	118	118	118	111	104	99	94	89	
	10	108	108	108	108	108	108	108	108	108	104	99	94	89	
	20	88	88	88	88	88	88	88	88	88	88	88	87	86	
	30	86	86	86	86	86	86	86	86	86	86	86	86	84	
	40	76	76	76	76	76	76	76	76	76	76	76	76	76	
	50	69	69	69	69	69	69	69	69	69	69	69	69	69	
	60	63	63	63	63	63	63	63	63	63	63	63	63	63	
	70	59	59	59	59	59	59	59	59	59	59	59	59	59	
	80	55	55	55	55	55	55	55	55	55	55	55	55	55	
	90	52	52	52	52	52	52	52	52	52	52	52	52	52	
Zone 1	0	118	118	115	110	106	102	98	92	83	76	70	65	62	
	10	108	108	108	108	106	102	98	92	83	76	70	65	62	
	20	88	88	88	88	88	88	88	88	83	76	70	65	62	
	30	86	86	86	86	86	86	86	86	83	76	70	65	62	
	40	76	76	76	76	76	76	76	76	76	76	70	65	62	
	50	69	69	69	69	69	69	69	69	69	69	69	65	62	
	60	63	63	63	63	63	63	63	63	63	63	63	63	62	
	70	59	59	59	59	59	59	59	59	59	59	59	59	59	
	80	55	55	55	55	55	55	55	55	55	55	55	55	55	
	90	52	52	52	52	52	52	52	52	52	52	52	52	52	
Zone 2	0	110	105	101	96	93	88	84	75	68	64	59	56	53	
	10	108	105	101	96	93	88	84	75	68	64	59	56	53	
	20	88	88	88	88	88	88	84	75	68	64	59	56	53	
	30	86	86	86	86	86	86	84	75	68	64	59	56	53	
	40	76	76	76	76	76	76	76	75	68	64	59	56	53	
	50	69	69	69	69	69	69	69	69	68	64	59	56	53	
	60	63	63	63	63	63	63	63	63	63	63	59	56	53	
	70	59	59	59	59	59	59	59	59	59	59	59	56	53	
	80	55	55	55	55	55	55	55	55	55	55	55	55	53	
	90	52	52	52	52	52	52	52	52	52	52	52	52	52	
Zone 3	0	96	92	86	81	76	71	68	62	58	54	50	47	44	
	10	96	92	86	81	76	71	68	62	58	54	50	47	44	
	20	88	88	86	81	76	71	68	62	58	54	50	47	44	
	30	86	86	86	81	76	71	68	62	58	54	50	47	44	
	40	76	76	76	76	76	71	68	62	58	54	50	47	44	
	50	69	69	69	69	69	69	68	62	58	54	50	47	44	
	60	63	63	63	63	63	63	63	62	58	54	50	47	44	
	70	59	59	59	59	59	59	59	59	58	54	50	47	44	
	80	55	55	55	55	55	55	55	55	55	54	50	47	44	
	90	52	52	52	52	52	52	52	52	52	52	50	47	44	

Notes:

1. Tables are based on critical rail span for load combinations as specified in chapter 2 of the ASCE 7-16 and allowable design loads per the 2015 Aluminum Design Manual.
2. Panels are assumed to be in landscape orientation with a maximum width of 42"

Max Rail Spans for SunModo SMR100 System

Table 99b		Mean Roof Height: $h \leq 15$ ft											Panel Orientation: Landscape	
		Roof Angle: $0 < \theta \leq 7$ degrees											North/South Support $\chi_E = 1.5$	
		Exposure Category: D											Roof Type: Gable	
Roof Wind Zone	Ground Snow Load (psf)	Wind Speed (mph)												
		90	95	100	105	110	115	120	130	140	150	160	170	180
Zone 1'	0	118	118	118	118	114	110	106	99	93	87	80	75	70
	10	108	108	108	108	108	108	106	99	93	87	80	75	70
	20	88	88	88	88	88	88	88	88	88	87	80	75	70
	30	86	86	86	86	86	86	86	86	86	86	80	75	70
	40	76	76	76	76	76	76	76	76	76	76	76	75	70
	50	69	69	69	69	69	69	69	69	69	69	69	69	69
	60	63	63	63	63	63	63	63	63	63	63	63	63	63
	70	59	59	59	59	59	59	59	59	59	59	59	59	59
	80	55	55	55	55	55	55	55	55	55	55	55	55	55
	90	52	52	52	52	52	52	52	52	52	52	52	52	52
Zone 1	0	106	101	96	92	88	83	78	70	65	60	56	53	50
	10	106	101	96	92	88	83	78	70	65	60	56	53	50
	20	88	88	88	88	88	83	78	70	65	60	56	53	50
	30	86	86	86	86	86	83	78	70	65	60	56	53	50
	40	76	76	76	76	76	76	76	70	65	60	56	53	50
	50	69	69	69	69	69	69	69	69	65	60	56	53	50
	60	63	63	63	63	63	63	63	63	63	60	56	53	50
	70	59	59	59	59	59	59	59	59	59	59	56	53	50
	80	55	55	55	55	55	55	55	55	55	55	55	53	50
	90	52	52	52	52	52	52	52	52	52	52	52	52	50
Zone 2	0	93	87	81	76	72	68	65	60	55	51	48	45	43
	10	93	87	81	76	72	68	65	60	55	51	48	45	43
	20	88	87	81	76	72	68	65	60	55	51	48	45	43
	30	86	86	81	76	72	68	65	60	55	51	48	45	43
	40	76	76	76	76	72	68	65	60	55	51	48	45	43
	50	69	69	69	69	69	68	65	60	55	51	48	45	43
	60	63	63	63	63	63	63	63	60	55	51	48	45	43
	70	59	59	59	59	59	59	59	59	55	51	48	45	43
	80	55	55	55	55	55	55	55	55	55	51	48	45	43
	90	52	52	52	52	52	52	52	52	52	51	48	45	43
Zone 3	0	76	70	66	63	60	57	55	50	47	43	41	38	36
	10	76	70	66	63	60	57	55	50	47	43	41	38	36
	20	76	70	66	63	60	57	55	50	47	43	41	38	36
	30	76	70	66	63	60	57	55	50	47	43	41	38	36
	40	76	70	66	63	60	57	55	50	47	43	41	38	36
	50	69	69	66	63	60	57	55	50	47	43	41	38	36
	60	63	63	63	63	60	57	55	50	47	43	41	38	36
	70	59	59	59	59	59	57	55	50	47	43	41	38	36
	80	55	55	55	55	55	55	55	50	47	43	41	38	36
	90	52	52	52	52	52	52	52	50	47	43	41	38	36

Notes:

1. Tables are based on critical rail span for load combinations as specified in chapter 2 of the ASCE 7-16 and allowable design loads per the 2015 Aluminum Design Manual.
2. Panels are assumed to be in landscape orientation with a maximum width of 42"

Max Rail Spans for SunModo SMR100 System

Table 100a		Mean Roof Height:	$h \leq 15$ ft										Panel Orientation:	Landscape
		Roof Angle:	$7 < \theta \leq 20$ degrees										North/South Support	$X_E = 1$
		Exposure Category:	B										Roof Type :	Gable
Roof Wind Zone	Ground Snow Load (psf)	Wind Speed (mph)												
		90	95	100	105	110	115	120	130	140	150	160	170	180
Zones 1 & 2e	0	118	118	118	118	118	118	115	108	101	96	91	85	79
	10	100	100	100	100	100	100	100	100	100	96	91	85	79
	20	79	79	79	79	79	79	79	79	79	79	79	79	79
	30	79	79	79	79	79	79	79	79	79	79	79	79	79
	40	70	70	70	70	70	70	70	70	70	70	70	70	70
	50	63	63	63	63	63	63	63	63	63	63	63	63	63
	60	58	58	58	58	58	58	58	58	58	58	58	58	58
	70	54	54	54	54	54	54	54	54	54	54	54	54	54
	80	51	51	51	51	51	51	51	51	51	51	51	51	51
90	48	48	48	48	48	48	48	48	48	48	48	48	48	
Zones 2h, 2r, & 3e	0	118	118	118	114	109	105	101	94	87	79	72	66	63
	10	100	100	100	100	100	100	100	94	87	79	72	66	63
	20	79	79	79	79	79	79	79	79	79	79	72	66	63
	30	79	79	79	79	79	79	79	79	79	79	72	66	63
	40	70	70	70	70	70	70	70	70	70	70	70	66	63
	50	63	63	63	63	63	63	63	63	63	63	63	63	63
	60	58	58	58	58	58	58	58	58	58	58	58	58	58
	70	54	54	54	54	54	54	54	54	54	54	54	54	54
	80	51	51	51	51	51	51	51	51	51	51	51	51	51
90	48	48	48	48	48	48	48	48	48	48	48	48	48	
Zone 3r	0	118	115	110	105	100	96	93	85	76	69	64	60	57
	10	100	100	100	100	100	96	93	85	76	69	64	60	57
	20	79	79	79	79	79	79	79	79	76	69	64	60	57
	30	79	79	79	79	79	79	79	79	76	69	64	60	57
	40	70	70	70	70	70	70	70	70	70	69	64	60	57
	50	63	63	63	63	63	63	63	63	63	63	63	60	57
	60	58	58	58	58	58	58	58	58	58	58	58	58	57
	70	54	54	54	54	54	54	54	54	54	54	54	54	54
	80	51	51	51	51	51	51	51	51	51	51	51	51	51
90	48	48	48	48	48	48	48	48	48	48	48	48	48	

Notes:

1. Tables are based on critical rail span for load combinations as specified in chapter 2 of the ASCE 7-16 and allowable design loads per the 2015 Aluminum Design Manual.
2. Panels are assumed to be in landscape orientation with a maximum width of 42"

Max Rail Spans for SunModo SMR100 System

Table 100b		Mean Roof Height:	$h \leq 15$ ft										Panel Orientation:	Landscape
		Roof Angle:	$7 < \theta \leq 20$ degrees										North/South Support	$X_E = 1.5$
		Exposure Category:	B										Roof Type :	Gable
Roof Wind Zone	Ground Snow Load (psf)	Wind Speed (mph)												
		90	95	100	105	110	115	120	130	140	150	160	170	180
Zones 1 & 2e	0	118	118	113	109	104	101	97	91	84	77	71	66	63
	10	100	100	100	100	100	100	97	91	84	77	71	66	63
	20	79	79	79	79	79	79	79	79	79	77	71	66	63
	30	79	79	79	79	79	79	79	79	79	77	71	66	63
	40	70	70	70	70	70	70	70	70	70	70	70	66	63
	50	63	63	63	63	63	63	63	63	63	63	63	63	63
	60	58	58	58	58	58	58	58	58	58	58	58	58	58
	70	54	54	54	54	54	54	54	54	54	54	54	54	54
	80	51	51	51	51	51	51	51	51	51	51	51	51	51
90	48	48	48	48	48	48	48	48	48	48	48	48	48	
Zones 2h, 2r, & 3e	0	109	103	99	95	91	86	81	72	66	61	57	54	51
	10	100	100	99	95	91	86	81	72	66	61	57	54	51
	20	79	79	79	79	79	79	79	72	66	61	57	54	51
	30	79	79	79	79	79	79	79	72	66	61	57	54	51
	40	70	70	70	70	70	70	70	70	66	61	57	54	51
	50	63	63	63	63	63	63	63	63	63	61	57	54	51
	60	58	58	58	58	58	58	58	58	58	58	57	54	51
	70	54	54	54	54	54	54	54	54	54	54	54	54	51
	80	51	51	51	51	51	51	51	51	51	51	51	51	51
90	48	48	48	48	48	48	48	48	48	48	48	48	48	
Zone 3r	0	100	95	91	86	81	76	71	65	60	56	52	49	46
	10	100	95	91	86	81	76	71	65	60	56	52	49	46
	20	79	79	79	79	79	76	71	65	60	56	52	49	46
	30	79	79	79	79	79	76	71	65	60	56	52	49	46
	40	70	70	70	70	70	70	70	65	60	56	52	49	46
	50	63	63	63	63	63	63	63	63	60	56	52	49	46
	60	58	58	58	58	58	58	58	58	58	56	52	49	46
	70	54	54	54	54	54	54	54	54	54	54	52	49	46
	80	51	51	51	51	51	51	51	51	51	51	51	49	46
90	48	48	48	48	48	48	48	48	48	48	48	48	46	

Notes:

1. Tables are based on critical rail span for load combinations as specified in chapter 2 of the ASCE 7-16 and allowable design loads per the 2015 Aluminum Design Manual.
2. Panels are assumed to be in landscape orientation with a maximum width of 42"

Max Rail Spans for SunModo SMR100 System

Table 101a		Mean Roof Height:	$h \leq 15$ ft										Panel Orientation:	Landscape
		Roof Angle:	$7 < \theta \leq 20$ degrees										North/South Support	$X_E = 1$
		Exposure Category:	C										Roof Type :	Gable
Roof Wind Zone	Ground Snow Load (psf)	Wind Speed (mph)												
		90	95	100	105	110	115	120	130	140	150	160	170	180
Zones 1 & 2e	0	118	118	113	109	105	101	97	91	84	77	72	67	63
	10	100	100	100	100	100	100	97	91	84	77	72	67	63
	20	79	79	79	79	79	79	79	79	79	77	72	67	63
	30	79	79	79	79	79	79	79	79	79	77	72	67	63
	40	70	70	70	70	70	70	70	70	70	70	70	67	63
	50	63	63	63	63	63	63	63	63	63	63	63	63	63
	60	58	58	58	58	58	58	58	58	58	58	58	58	58
	70	54	54	54	54	54	54	54	54	54	54	54	54	54
	80	51	51	51	51	51	51	51	51	51	51	51	51	51
90	48	48	48	48	48	48	48	48	48	48	48	48	48	
Zones 2h, 2r, & 3e	0	109	104	99	95	91	86	81	73	66	61	57	54	51
	10	100	100	99	95	91	86	81	73	66	61	57	54	51
	20	79	79	79	79	79	79	79	73	66	61	57	54	51
	30	79	79	79	79	79	79	79	73	66	61	57	54	51
	40	70	70	70	70	70	70	70	70	66	61	57	54	51
	50	63	63	63	63	63	63	63	63	63	61	57	54	51
	60	58	58	58	58	58	58	58	58	58	58	57	54	51
	70	54	54	54	54	54	54	54	54	54	54	54	54	51
	80	51	51	51	51	51	51	51	51	51	51	51	51	51
90	48	48	48	48	48	48	48	48	48	48	48	48	48	
Zone 3r	0	100	96	91	87	81	76	71	65	60	56	52	49	46
	10	100	96	91	87	81	76	71	65	60	56	52	49	46
	20	79	79	79	79	79	76	71	65	60	56	52	49	46
	30	79	79	79	79	79	76	71	65	60	56	52	49	46
	40	70	70	70	70	70	70	70	65	60	56	52	49	46
	50	63	63	63	63	63	63	63	63	60	56	52	49	46
	60	58	58	58	58	58	58	58	58	58	56	52	49	46
	70	54	54	54	54	54	54	54	54	54	54	52	49	46
	80	51	51	51	51	51	51	51	51	51	51	51	49	46
90	48	48	48	48	48	48	48	48	48	48	48	48	46	

Notes:

1. Tables are based on critical rail span for load combinations as specified in chapter 2 of the ASCE 7-16 and allowable design loads per the 2015 Aluminum Design Manual.
2. Panels are assumed to be in landscape orientation with a maximum width of 42"

Max Rail Spans for SunModo SMR100 System

Roof Wind Zone		Ground Snow Load (psf)	Wind Speed (mph)													
			90	95	100	105	110	115	120	130	140	150	160	170	180	
Zones 1 & 2e		0	104	100	96	92	89	84	79	72	66	61	57	54	51	
		10	100	100	96	92	89	84	79	72	66	61	57	54	51	
		20	79	79	79	79	79	79	79	79	72	66	61	57	54	51
		30	79	79	79	79	79	79	79	79	72	66	61	57	54	51
		40	70	70	70	70	70	70	70	70	70	66	61	57	54	51
		50	63	63	63	63	63	63	63	63	63	63	61	57	54	51
		60	58	58	58	58	58	58	58	58	58	58	58	57	54	51
		70	54	54	54	54	54	54	54	54	54	54	54	54	54	51
		80	51	51	51	51	51	51	51	51	51	51	51	51	51	51
		90	48	48	48	48	48	48	48	48	48	48	48	48	48	48
Zones 2h, 2r, & 3e		0	91	85	79	74	69	66	63	58	53	50	46	44	41	
		10	91	85	79	74	69	66	63	58	53	50	46	44	41	
		20	79	79	79	74	69	66	63	58	53	50	46	44	41	
		30	79	79	79	74	69	66	63	58	53	50	46	44	41	
		40	70	70	70	70	69	66	63	58	53	50	46	44	41	
		50	63	63	63	63	63	63	63	58	53	50	46	44	41	
		60	58	58	58	58	58	58	58	58	53	50	46	44	41	
		70	54	54	54	54	54	54	54	54	53	50	46	44	41	
		80	51	51	51	51	51	51	51	51	51	51	50	46	44	41
		90	48	48	48	48	48	48	48	48	48	48	48	46	44	41
Zone 3r		0	81	75	69	66	62	60	57	52	49	45	42	40	37	
		10	81	75	69	66	62	60	57	52	49	45	42	40	37	
		20	79	75	69	66	62	60	57	52	49	45	42	40	37	
		30	79	75	69	66	62	60	57	52	49	45	42	40	37	
		40	70	70	69	66	62	60	57	52	49	45	42	40	37	
		50	63	63	63	63	62	60	57	52	49	45	42	40	37	
		60	58	58	58	58	58	58	57	52	49	45	42	40	37	
		70	54	54	54	54	54	54	54	52	49	45	42	40	37	
		80	51	51	51	51	51	51	51	51	49	45	42	40	37	
		90	48	48	48	48	48	48	48	48	48	45	42	40	37	

Notes:

1. Tables are based on critical rail span for load combinations as specified in chapter 2 of the ASCE 7-16 and allowable design loads per the 2015 Aluminum Design Manual.
2. Panels are assumed to be in landscape orientation with a maximum width of 42"

Max Rail Spans for SunModo SMR100 System

Table 102a		Mean Roof Height:	$h \leq 15$ ft		Panel Orientation:	Landscape									
		Roof Angle:	$7 < \theta \leq 20$ degrees		North/South Support	$X_E = 1$									
		Exposure Category:	D		Roof Type :	Gable									
Roof Wind Zone	Ground Snow Load (psf)	Wind Speed (mph)													
		90	95	100	105	110	115	120	130	140	150	160	170	180	
Zones 1 & 2e	0	114	109	105	100	97	93	90	82	75	69	64	60	57	
	10	100	100	100	100	97	93	90	82	75	69	64	60	57	
	20	79	79	79	79	79	79	79	79	75	69	64	60	57	
	30	79	79	79	79	79	79	79	79	75	69	64	60	57	
	40	70	70	70	70	70	70	70	70	70	69	64	60	57	
	50	63	63	63	63	63	63	63	63	63	63	63	63	60	57
	60	58	58	58	58	58	58	58	58	58	58	58	58	58	57
	70	54	54	54	54	54	54	54	54	54	54	54	54	54	54
	80	51	51	51	51	51	51	51	51	51	51	51	51	51	51
90	48	48	48	48	48	48	48	48	48	48	48	48	48	48	
Zones 2h, 2r, & 3e	0	100	95	91	86	80	75	71	65	60	56	52	49	46	
	10	100	95	91	86	80	75	71	65	60	56	52	49	46	
	20	79	79	79	79	79	75	71	65	60	56	52	49	46	
	30	79	79	79	79	79	75	71	65	60	56	52	49	46	
	40	70	70	70	70	70	70	70	65	60	56	52	49	46	
	50	63	63	63	63	63	63	63	63	60	56	52	49	46	
	60	58	58	58	58	58	58	58	58	58	56	52	49	46	
	70	54	54	54	54	54	54	54	54	54	54	52	49	46	
	80	51	51	51	51	51	51	51	51	51	51	51	49	46	
90	48	48	48	48	48	48	48	48	48	48	48	48	46		
Zone 3r	0	92	87	81	75	71	67	64	59	54	50	47	44	42	
	10	92	87	81	75	71	67	64	59	54	50	47	44	42	
	20	79	79	79	75	71	67	64	59	54	50	47	44	42	
	30	79	79	79	75	71	67	64	59	54	50	47	44	42	
	40	70	70	70	70	70	67	64	59	54	50	47	44	42	
	50	63	63	63	63	63	63	63	59	54	50	47	44	42	
	60	58	58	58	58	58	58	58	58	54	50	47	44	42	
	70	54	54	54	54	54	54	54	54	54	50	47	44	42	
	80	51	51	51	51	51	51	51	51	51	50	47	44	42	
90	48	48	48	48	48	48	48	48	48	48	47	44	42		

Notes:

1. Tables are based on critical rail span for load combinations as specified in chapter 2 of the ASCE 7-16 and allowable design loads per the 2015 Aluminum Design Manual.
2. Panels are assumed to be in landscape orientation with a maximum width of 42"

Max Rail Spans for SunModo SMR100 System

Table 102b		Mean Roof Height:	$h \leq 15$ ft										Panel Orientation:	Landscape
		Roof Angle:	$7 < \theta \leq 20$ degrees										North/South Support	$X_E = 1.5$
		Exposure Category:	D										Roof Type :	Gable
Roof Wind Zone	Ground Snow Load (psf)	Wind Speed (mph)												
		90	95	100	105	110	115	120	130	140	150	160	170	180
Zones 1 & 2e	0	97	92	89	83	79	74	71	65	60	56	52	49	46
	10	97	92	89	83	79	74	71	65	60	56	52	49	46
	20	79	79	79	79	79	74	71	65	60	56	52	49	46
	30	79	79	79	79	79	74	71	65	60	56	52	49	46
	40	70	70	70	70	70	70	70	65	60	56	52	49	46
	50	63	63	63	63	63	63	63	63	60	56	52	49	46
	60	58	58	58	58	58	58	58	58	58	56	52	49	46
	70	54	54	54	54	54	54	54	54	54	54	52	49	46
	80	51	51	51	51	51	51	51	51	51	51	51	49	46
	90	48	48	48	48	48	48	48	48	48	48	48	48	46
Zones 2h, 2r, & 3e	0	80	74	69	65	62	59	57	52	48	45	42	39	37
	10	80	74	69	65	62	59	57	52	48	45	42	39	37
	20	79	74	69	65	62	59	57	52	48	45	42	39	37
	30	79	74	69	65	62	59	57	52	48	45	42	39	37
	40	70	70	69	65	62	59	57	52	48	45	42	39	37
	50	63	63	63	63	62	59	57	52	48	45	42	39	37
	60	58	58	58	58	58	58	57	52	48	45	42	39	37
	70	54	54	54	54	54	54	54	52	48	45	42	39	37
	80	51	51	51	51	51	51	51	51	48	45	42	39	37
	90	48	48	48	48	48	48	48	48	48	45	42	39	37
Zone 3r	0	70	66	62	59	56	54	52	47	44	41	38	36	34
	10	70	66	62	59	56	54	52	47	44	41	38	36	34
	20	70	66	62	59	56	54	52	47	44	41	38	36	34
	30	70	66	62	59	56	54	52	47	44	41	38	36	34
	40	70	66	62	59	56	54	52	47	44	41	38	36	34
	50	63	63	62	59	56	54	52	47	44	41	38	36	34
	60	58	58	58	58	56	54	52	47	44	41	38	36	34
	70	54	54	54	54	54	54	52	47	44	41	38	36	34
	80	51	51	51	51	51	51	51	47	44	41	38	36	34
	90	48	48	48	48	48	48	48	47	44	41	38	36	34

Notes:

1. Tables are based on critical rail span for load combinations as specified in chapter 2 of the ASCE 7-16 and allowable design loads per the 2015 Aluminum Design Manual.
2. Panels are assumed to be in landscape orientation with a maximum width of 42"

Max Rail Spans for SunModo SMR100 System

Roof Wind Zone		Ground Snow Load (psf)	Wind Speed (mph)														
			90	95	100	105	110	115	120	130	140	150	160	170	180		
Zones 1 & 2e		0	118	118	118	118	118	118	118	118	118	114	107	102	97	93	
		10	107	107	107	107	107	107	107	107	107	107	107	107	102	97	93
		20	92	92	92	92	92	92	92	92	92	92	92	92	92	90	89
		30	79	79	79	79	79	79	79	79	79	79	79	79	79	79	79
		40	70	70	70	70	70	70	70	70	70	70	70	70	70	70	70
		50	63	63	63	63	63	63	63	63	63	63	63	63	63	63	63
		60	58	58	58	58	58	58	58	58	58	58	58	58	58	58	58
		70	54	54	54	54	54	54	54	54	54	54	54	54	54	54	54
		80	51	51	51	51	51	51	51	51	51	51	51	51	51	51	51
		90	48	48	48	48	48	48	48	48	48	48	48	48	48	48	48
Zones 2h, 2r, & 3e		0	118	118	118	118	118	113	109	101	95	89	83	76	70	70	
		10	107	107	107	107	107	107	107	107	101	95	89	83	76	70	70
		20	92	92	92	92	92	92	92	92	92	92	89	83	76	70	70
		30	79	79	79	79	79	79	79	79	79	79	79	79	79	76	70
		40	70	70	70	70	70	70	70	70	70	70	70	70	70	70	70
		50	63	63	63	63	63	63	63	63	63	63	63	63	63	63	63
		60	58	58	58	58	58	58	58	58	58	58	58	58	58	58	58
		70	54	54	54	54	54	54	54	54	54	54	54	54	54	54	54
		80	51	51	51	51	51	51	51	51	51	51	51	51	51	51	51
		90	48	48	48	48	48	48	48	48	48	48	48	48	48	48	48
Zone 3r		0	118	118	118	116	110	106	102	95	89	81	74	67	63	63	
		10	107	107	107	107	107	106	102	95	89	81	74	67	63	63	63
		20	92	92	92	92	92	92	92	92	92	89	81	74	67	63	63
		30	79	79	79	79	79	79	79	79	79	79	79	74	67	63	63
		40	70	70	70	70	70	70	70	70	70	70	70	70	67	63	63
		50	63	63	63	63	63	63	63	63	63	63	63	63	63	63	63
		60	58	58	58	58	58	58	58	58	58	58	58	58	58	58	58
		70	54	54	54	54	54	54	54	54	54	54	54	54	54	54	54
		80	51	51	51	51	51	51	51	51	51	51	51	51	51	51	51
		90	48	48	48	48	48	48	48	48	48	48	48	48	48	48	48

Notes:

1. Tables are based on critical rail span for load combinations as specified in chapter 2 of the ASCE 7-16 and allowable design loads per the 2015 Aluminum Design Manual.
2. Panels are assumed to be in landscape orientation with a maximum width of 42"

Max Rail Spans for SunModo SMR100 System

Roof Wind Zone		Ground Snow Load (psf)	Wind Speed (mph)													
			90	95	100	105	110	115	120	130	140	150	160	170	180	
Zones 1 & 2e		0	118	118	118	118	118	113	109	102	96	91	86	80	74	
		10	107	107	107	107	107	107	107	107	102	96	91	86	80	74
		20	92	92	92	92	92	92	92	92	92	92	91	86	80	74
		30	79	79	79	79	79	79	79	79	79	79	79	79	79	74
		40	70	70	70	70	70	70	70	70	70	70	70	70	70	70
		50	63	63	63	63	63	63	63	63	63	63	63	63	63	63
		60	58	58	58	58	58	58	58	58	58	58	58	58	58	58
		70	54	54	54	54	54	54	54	54	54	54	54	54	54	54
		80	51	51	51	51	51	51	51	51	51	51	51	51	51	51
		90	48	48	48	48	48	48	48	48	48	48	48	48	48	48
Zones 2h, 2r, & 3e		0	118	112	107	102	98	94	91	83	75	68	63	59	56	
		10	107	107	107	102	98	94	91	83	75	68	63	59	56	
		20	92	92	92	92	92	92	92	91	83	75	68	63	59	56
		30	79	79	79	79	79	79	79	79	79	75	68	63	59	56
		40	70	70	70	70	70	70	70	70	70	70	68	63	59	56
		50	63	63	63	63	63	63	63	63	63	63	63	63	59	56
		60	58	58	58	58	58	58	58	58	58	58	58	58	58	56
		70	54	54	54	54	54	54	54	54	54	54	54	54	54	54
		80	51	51	51	51	51	51	51	51	51	51	51	51	51	51
		90	48	48	48	48	48	48	48	48	48	48	48	48	48	48
Zone 3r		0	110	105	100	96	92	88	84	74	67	61	57	53	49	
		10	107	105	100	96	92	88	84	74	67	61	57	53	49	
		20	92	92	92	92	92	88	84	74	67	61	57	53	49	
		30	79	79	79	79	79	79	79	74	67	61	57	53	49	
		40	70	70	70	70	70	70	70	70	67	61	57	53	49	
		50	63	63	63	63	63	63	63	63	63	61	57	53	49	
		60	58	58	58	58	58	58	58	58	58	58	57	53	49	
		70	54	54	54	54	54	54	54	54	54	54	54	53	49	
		80	51	51	51	51	51	51	51	51	51	51	51	51	49	
		90	48	48	48	48	48	48	48	48	48	48	48	48	48	

Notes:

1. Tables are based on critical rail span for load combinations as specified in chapter 2 of the ASCE 7-16 and allowable design loads per the 2015 Aluminum Design Manual.
2. Panels are assumed to be in landscape orientation with a maximum width of 42"

Max Rail Spans for SunModo SMR100 System

Roof Wind Zone		Ground Snow Load (psf)	Wind Speed (mph)													
			90	95	100	105	110	115	120	130	140	150	160	170	180	
Zones 1 & 2e		0	118	118	118	118	118	113	109	102	96	91	87	80	75	
		10	107	107	107	107	107	107	107	107	102	96	91	87	80	75
		20	92	92	92	92	92	92	92	92	92	90	89	87	80	75
		30	79	79	79	79	79	79	79	79	79	79	78	77	76	75
		40	70	70	70	70	70	70	70	70	70	70	70	70	69	68
		50	63	63	63	63	63	63	63	63	63	63	63	63	63	63
		60	58	58	58	58	58	58	58	58	58	58	58	58	58	58
		70	54	54	54	54	54	54	54	54	54	54	54	54	54	54
		80	51	51	51	51	51	51	51	51	51	51	51	51	51	51
		90	48	48	48	48	48	48	48	48	48	48	48	48	48	48
Zones 2h, 2r, & 3e		0	118	112	107	102	98	94	91	84	75	68	64	60	56	
		10	107	107	107	102	98	94	91	84	75	68	64	60	56	
		20	92	92	92	92	92	92	92	91	84	75	68	64	60	56
		30	79	79	79	79	79	79	79	79	79	75	68	64	60	56
		40	70	70	70	70	70	70	70	70	70	70	68	64	60	56
		50	63	63	63	63	63	63	63	63	63	63	63	63	60	56
		60	58	58	58	58	58	58	58	58	58	58	58	58	58	56
		70	54	54	54	54	54	54	54	54	54	54	54	54	54	54
		80	51	51	51	51	51	51	51	51	51	51	51	51	51	51
		90	48	48	48	48	48	48	48	48	48	48	48	48	48	48
Zone 3r		0	111	105	100	96	92	88	84	74	67	62	57	53	49	
		10	107	105	100	96	92	88	84	74	67	62	57	53	49	
		20	92	92	92	92	92	88	84	74	67	62	57	53	49	
		30	79	79	79	79	79	79	79	74	67	62	57	53	49	
		40	70	70	70	70	70	70	70	70	67	62	57	53	49	
		50	63	63	63	63	63	63	63	63	63	62	57	53	49	
		60	58	58	58	58	58	58	58	58	58	58	57	53	49	
		70	54	54	54	54	54	54	54	54	54	54	54	53	49	
		80	51	51	51	51	51	51	51	51	51	51	51	51	49	
		90	48	48	48	48	48	48	48	48	48	48	48	48	48	

Notes:

1. Tables are based on critical rail span for load combinations as specified in chapter 2 of the ASCE 7-16 and allowable design loads per the 2015 Aluminum Design Manual.
2. Panels are assumed to be in landscape orientation with a maximum width of 42"

Max Rail Spans for SunModo SMR100 System

Roof Wind Zone		Ground Snow Load (psf)	Wind Speed (mph)													
			90	95	100	105	110	115	120	130	140	150	160	170	180	
Zones 1 & 2e		0	118	112	108	103	99	96	93	87	79	73	67	63	59	
		10	107	107	107	103	99	96	93	87	79	73	67	63	59	
		20	92	92	92	92	92	92	92	87	79	73	67	63	59	
		30	79	79	79	79	79	79	79	79	79	79	73	67	63	59
		40	70	70	70	70	70	70	70	70	70	70	70	67	63	59
		50	63	63	63	63	63	63	63	63	63	63	63	63	63	59
		60	58	58	58	58	58	58	58	58	58	58	58	58	58	58
		70	54	54	54	54	54	54	54	54	54	54	54	54	54	54
		80	51	51	51	51	51	51	51	51	51	51	51	51	51	51
		90	48	48	48	48	48	48	48	48	48	48	48	48	48	48
Zones 2h, 2r, & 3e		0	98	93	89	85	79	74	70	64	59	55	51	48	45	
		10	98	93	89	85	79	74	70	64	59	55	51	48	45	
		20	92	92	89	85	79	74	70	64	59	55	51	48	45	
		30	79	79	79	79	79	74	70	64	59	55	51	48	45	
		40	70	70	70	70	70	70	70	64	59	55	51	48	45	
		50	63	63	63	63	63	63	63	63	59	55	51	48	45	
		60	58	58	58	58	58	58	58	58	58	58	55	51	48	45
		70	54	54	54	54	54	54	54	54	54	54	54	51	48	45
		80	51	51	51	51	51	51	51	51	51	51	51	51	48	45
		90	48	48	48	48	48	48	48	48	48	48	48	48	48	45
Zone 3r		0	92	88	81	76	71	67	63	57	52	48	45	42	39	
		10	92	88	81	76	71	67	63	57	52	48	45	42	39	
		20	92	88	81	76	71	67	63	57	52	48	45	42	39	
		30	79	79	79	76	71	67	63	57	52	48	45	42	39	
		40	70	70	70	70	70	67	63	57	52	48	45	42	39	
		50	63	63	63	63	63	63	63	57	52	48	45	42	39	
		60	58	58	58	58	58	58	58	57	52	48	45	42	39	
		70	54	54	54	54	54	54	54	54	52	48	45	42	39	
		80	51	51	51	51	51	51	51	51	51	48	45	42	39	
		90	48	48	48	48	48	48	48	48	48	48	45	42	39	

Notes:

1. Tables are based on critical rail span for load combinations as specified in chapter 2 of the ASCE 7-16 and allowable design loads per the 2015 Aluminum Design Manual.
2. Panels are assumed to be in landscape orientation with a maximum width of 42"

Max Rail Spans for SunModo SMR100 System

Roof Wind Zone		Ground Snow Load (psf)	Wind Speed (mph)													
			90	95	100	105	110	115	120	130	140	150	160	170	180	
Zones 1 & 2e		0	118	118	118	113	109	105	101	95	89	83	77	71	66	
		10	107	107	107	107	107	105	101	95	89	83	77	71	66	
		20	92	92	92	92	92	92	92	91	90	88	83	77	71	66
		30	79	79	79	79	79	79	79	79	79	78	77	75	71	66
		40	70	70	70	70	70	70	70	70	70	70	70	69	68	66
		50	63	63	63	63	63	63	63	63	63	63	63	63	63	62
		60	58	58	58	58	58	58	58	58	58	58	58	58	58	58
		70	54	54	54	54	54	54	54	54	54	54	54	54	54	54
		80	51	51	51	51	51	51	51	51	51	51	51	51	51	51
		90	48	48	48	48	48	48	48	48	48	48	48	48	48	48
Zones 2h, 2r, & 3e		0	108	103	98	94	90	87	82	73	66	61	57	54	51	
		10	107	103	98	94	90	87	82	73	66	61	57	54	51	
		20	92	92	92	92	90	87	82	73	66	61	57	54	51	
		30	79	79	79	79	79	79	79	73	66	61	57	54	51	
		40	70	70	70	70	70	70	70	70	66	61	57	54	51	
		50	63	63	63	63	63	63	63	63	63	63	61	57	54	51
		60	58	58	58	58	58	58	58	58	58	58	58	57	54	51
		70	54	54	54	54	54	54	54	54	54	54	54	54	54	51
		80	51	51	51	51	51	51	51	51	51	51	51	51	51	51
		90	48	48	48	48	48	48	48	48	48	48	48	48	48	48
Zone 3r		0	101	96	92	88	83	77	73	65	60	55	51	47	44	
		10	101	96	92	88	83	77	73	65	60	55	51	47	44	
		20	92	92	92	88	83	77	73	65	60	55	51	47	44	
		30	79	79	79	79	79	77	73	65	60	55	51	47	44	
		40	70	70	70	70	70	70	70	65	60	55	51	47	44	
		50	63	63	63	63	63	63	63	63	60	55	51	47	44	
		60	58	58	58	58	58	58	58	58	58	55	51	47	44	
		70	54	54	54	54	54	54	54	54	54	54	51	47	44	
		80	51	51	51	51	51	51	51	51	51	51	51	47	44	
		90	48	48	48	48	48	48	48	48	48	48	48	47	44	

Notes:

1. Tables are based on critical rail span for load combinations as specified in chapter 2 of the ASCE 7-16 and allowable design loads per the 2015 Aluminum Design Manual.
2. Panels are assumed to be in landscape orientation with a maximum width of 42"

Max Rail Spans for SunModo SMR100 System

Roof Wind Zone		Ground Snow Load (psf)	Wind Speed (mph)												
			90	95	100	105	110	115	120	130	140	150	160	170	180
Zones 1 & 2e		0	108	104	99	96	92	89	85	77	70	65	61	57	54
		10	107	104	99	96	92	89	85	77	70	65	61	57	54
		20	92	92	92	92	92	89	85	77	70	65	61	57	54
		30	79	79	79	79	79	79	79	77	70	65	61	57	54
		40	70	70	70	70	70	70	70	70	70	65	61	57	54
		50	63	63	63	63	63	63	63	63	63	63	61	57	54
		60	58	58	58	58	58	58	58	58	58	58	58	57	54
		70	54	54	54	54	54	54	54	54	54	54	54	54	54
		80	51	51	51	51	51	51	51	51	51	51	51	51	51
		90	48	48	48	48	48	48	48	48	48	48	48	48	48
Zones 2h, 2r, & 3e		0	90	85	79	74	69	66	63	58	53	50	46	43	41
		10	90	85	79	74	69	66	63	58	53	50	46	43	41
		20	90	85	79	74	69	66	63	58	53	50	46	43	41
		30	79	79	79	74	69	66	63	58	53	50	46	43	41
		40	70	70	70	70	69	66	63	58	53	50	46	43	41
		50	63	63	63	63	63	63	63	58	53	50	46	43	41
		60	58	58	58	58	58	58	58	58	53	50	46	43	41
		70	54	54	54	54	54	54	54	54	53	50	46	43	41
		80	51	51	51	51	51	51	51	51	51	50	46	43	41
		90	48	48	48	48	48	48	48	48	48	48	46	43	41
Zone 3r		0	83	76	71	66	62	59	56	51	47	43	40	37	35
		10	83	76	71	66	62	59	56	51	47	43	40	37	35
		20	83	76	71	66	62	59	56	51	47	43	40	37	35
		30	79	76	71	66	62	59	56	51	47	43	40	37	35
		40	70	70	70	66	62	59	56	51	47	43	40	37	35
		50	63	63	63	63	62	59	56	51	47	43	40	37	35
		60	58	58	58	58	58	58	56	51	47	43	40	37	35
		70	54	54	54	54	54	54	54	51	47	43	40	37	35
		80	51	51	51	51	51	51	51	51	47	43	40	37	35
		90	48	48	48	48	48	48	48	48	47	43	40	37	35

Notes:

1. Tables are based on critical rail span for load combinations as specified in chapter 2 of the ASCE 7-16 and allowable design loads per the 2015 Aluminum Design Manual.
2. Panels are assumed to be in landscape orientation with a maximum width of 42"

Max Rail Spans for SunModo SMR100 System

Roof Wind Zone		Ground Snow Load (psf)	Wind Speed (mph)													
			90	95	100	105	110	115	120	130	140	150	160	170	180	
Zones 1, 2e, & 2r		0	118	118	118	118	118	118	118	118	110	103	97	92	88	
		10	107	107	107	107	107	107	107	107	107	104	102	97	92	88
		20	93	93	93	93	93	93	93	93	92	90	88	86	84	82
		30	81	81	81	81	81	81	81	81	81	80	79	78	76	75
		40	72	72	72	72	72	72	72	72	72	72	72	71	70	69
		50	66	66	66	66	66	66	66	66	66	66	66	66	65	64
		60	61	61	61	61	61	61	61	61	61	61	61	61	61	61
		70	57	57	57	57	57	57	57	57	57	57	57	57	57	57
		80	53	53	53	53	53	53	53	53	53	53	53	53	53	53
		90	51	51	51	51	51	51	51	51	51	51	51	51	51	51
Zones 2n & 3r		0	118	118	118	118	118	118	118	110	103	97	92	87	82	
		10	107	107	107	107	107	107	107	107	107	103	97	92	87	82
		20	93	93	93	93	93	93	93	93	92	90	88	86	84	82
		30	81	81	81	81	81	81	81	81	81	80	79	78	76	75
		40	72	72	72	72	72	72	72	72	72	72	72	71	70	69
		50	66	66	66	66	66	66	66	66	66	66	66	66	65	64
		60	61	61	61	61	61	61	61	61	61	61	61	61	61	61
		70	57	57	57	57	57	57	57	57	57	57	57	57	57	57
		80	53	53	53	53	53	53	53	53	53	53	53	53	53	53
		90	51	51	51	51	51	51	51	51	51	51	51	51	51	51
Zone 3e		0	118	118	118	118	116	111	107	100	94	89	83	76	70	
		10	107	107	107	107	107	107	107	107	100	94	89	83	76	70
		20	93	93	93	93	93	93	93	93	92	90	88	83	76	70
		30	81	81	81	81	81	81	81	81	81	80	79	78	76	70
		40	72	72	72	72	72	72	72	72	72	72	72	71	70	69
		50	66	66	66	66	66	66	66	66	66	66	66	66	65	64
		60	61	61	61	61	61	61	61	61	61	61	61	61	61	61
		70	57	57	57	57	57	57	57	57	57	57	57	57	57	57
		80	53	53	53	53	53	53	53	53	53	53	53	53	53	53
		90	51	51	51	51	51	51	51	51	51	51	51	51	51	51

Notes:

1. Tables are based on critical rail span for load combinations as specified in chapter 2 of the ASCE 7-16 and allowable design loads per the 2015 Aluminum Design Manual.
2. Panels are assumed to be in landscape orientation with a maximum width of 42"

Max Rail Spans for SunModo SMR100 System

Roof Wind Zone		Ground Snow Load (psf)	Wind Speed (mph)													
			90	95	100	105	110	115	120	130	140	150	160	170	180	
Zones 1, 2e, & 2r		0	118	118	118	118	114	109	105	98	92	86	79	72	67	
		10	107	107	107	107	107	107	105	98	92	86	79	72	67	
		20	93	93	93	93	93	93	93	92	90	86	79	72	67	
		30	81	81	81	81	81	81	81	81	80	79	78	72	67	
		40	72	72	72	72	72	72	72	72	72	72	71	70	67	
		50	66	66	66	66	66	66	66	66	66	66	66	66	65	64
		60	61	61	61	61	61	61	61	61	61	61	61	61	61	61
		70	57	57	57	57	57	57	57	57	57	57	57	57	57	57
		80	53	53	53	53	53	53	53	53	53	53	53	53	53	53
		90	51	51	51	51	51	51	51	51	51	51	51	51	51	51
Zones 2n & 3r		0	118	118	116	111	106	102	99	92	87	80	73	67	63	
		10	107	107	107	107	106	102	99	92	87	80	73	67	63	
		20	93	93	93	93	93	93	93	92	87	80	73	67	63	
		30	81	81	81	81	81	81	81	81	80	79	73	67	63	
		40	72	72	72	72	72	72	72	72	72	72	71	67	63	
		50	66	66	66	66	66	66	66	66	66	66	66	66	65	63
		60	61	61	61	61	61	61	61	61	61	61	61	61	61	61
		70	57	57	57	57	57	57	57	57	57	57	57	57	57	57
		80	53	53	53	53	53	53	53	53	53	53	53	53	53	53
		90	51	51	51	51	51	51	51	51	51	51	51	51	51	51
Zone 3e		0	116	110	105	101	97	93	90	84	75	68	63	59	55	
		10	107	107	105	101	97	93	90	84	75	68	63	59	55	
		20	93	93	93	93	93	93	90	84	75	68	63	59	55	
		30	81	81	81	81	81	81	81	81	75	68	63	59	55	
		40	72	72	72	72	72	72	72	72	72	68	63	59	55	
		50	66	66	66	66	66	66	66	66	66	66	63	59	55	
		60	61	61	61	61	61	61	61	61	61	61	61	59	55	
		70	57	57	57	57	57	57	57	57	57	57	57	57	55	
		80	53	53	53	53	53	53	53	53	53	53	53	53	53	
		90	51	51	51	51	51	51	51	51	51	51	51	51	51	

Notes:

1. Tables are based on critical rail span for load combinations as specified in chapter 2 of the ASCE 7-16 and allowable design loads per the 2015 Aluminum Design Manual.
2. Panels are assumed to be in landscape orientation with a maximum width of 42"

Max Rail Spans for SunModo SMR100 System

Roof Wind Zone		Ground Snow Load (psf)	Wind Speed (mph)													
			90	95	100	105	110	115	120	130	140	150	160	170	180	
Zones 1, 2e, & 2r		0	118	118	118	118	114	109	105	98	92	86	79	72	67	
		10	107	107	107	107	106	104	103	98	92	86	79	72	67	
		20	93	93	93	92	91	90	89	86	84	82	79	72	67	
		30	81	81	81	81	81	80	79	78	76	74	72	71	67	
		40	72	72	72	72	72	72	72	71	70	68	67	66	64	
		50	66	66	66	66	66	66	66	66	65	64	63	62	61	
		60	61	61	61	61	61	61	61	61	61	60	60	59	58	
		70	57	57	57	57	57	57	57	57	57	57	57	57	56	55
		80	53	53	53	53	53	53	53	53	53	53	53	53	53	53
		90	51	51	51	51	51	51	51	51	51	51	51	51	51	51
Zones 2n & 3r		0	118	118	116	111	107	103	99	93	87	80	73	67	63	
		10	107	107	107	107	106	103	99	93	87	80	73	67	63	
		20	93	93	93	92	91	90	89	86	84	80	73	67	63	
		30	81	81	81	81	81	80	79	78	76	74	72	67	63	
		40	72	72	72	72	72	72	72	71	70	68	67	66	63	
		50	66	66	66	66	66	66	66	66	65	64	63	62	61	
		60	61	61	61	61	61	61	61	61	61	60	60	59	58	
		70	57	57	57	57	57	57	57	57	57	57	57	57	56	55
		80	53	53	53	53	53	53	53	53	53	53	53	53	53	53
		90	51	51	51	51	51	51	51	51	51	51	51	51	51	51
Zone 3e		0	116	110	106	101	97	94	90	84	75	69	63	59	55	
		10	107	107	106	101	97	94	90	84	75	69	63	59	55	
		20	93	93	93	92	91	90	89	84	75	69	63	59	55	
		30	81	81	81	81	81	80	79	78	75	69	63	59	55	
		40	72	72	72	72	72	72	72	71	70	68	63	59	55	
		50	66	66	66	66	66	66	66	66	65	64	63	59	55	
		60	61	61	61	61	61	61	61	61	61	60	60	59	55	
		70	57	57	57	57	57	57	57	57	57	57	57	57	56	55
		80	53	53	53	53	53	53	53	53	53	53	53	53	53	53
		90	51	51	51	51	51	51	51	51	51	51	51	51	51	51

Notes:

1. Tables are based on critical rail span for load combinations as specified in chapter 2 of the ASCE 7-16 and allowable design loads per the 2015 Aluminum Design Manual.
2. Panels are assumed to be in landscape orientation with a maximum width of 42"

Max Rail Spans for SunModo SMR100 System

Roof Wind Zone		Ground Snow Load (psf)	Wind Speed (mph)													
			90	95	100	105	110	115	120	130	140	150	160	170	180	
Zones 1, 2e, & 2r		0	114	108	103	99	95	91	88	80	72	66	61	57	54	
		10	107	107	103	99	95	91	88	80	72	66	61	57	54	
		20	93	93	93	92	91	90	88	80	72	66	61	57	54	
		30	81	81	81	81	81	80	79	78	72	66	61	57	54	
		40	72	72	72	72	72	72	72	71	70	66	61	57	54	
		50	66	66	66	66	66	66	66	66	65	64	61	57	54	
		60	61	61	61	61	61	61	61	61	61	60	60	57	54	
		70	57	57	57	57	57	57	57	57	57	57	57	57	56	54
		80	53	53	53	53	53	53	53	53	53	53	53	53	53	53
		90	51	51	51	51	51	51	51	51	51	51	51	51	51	51
Zones 2n & 3r		0	107	102	97	93	90	87	82	74	67	62	58	54	51	
		10	107	102	97	93	90	87	82	74	67	62	58	54	51	
		20	93	93	93	92	90	87	82	74	67	62	58	54	51	
		30	81	81	81	81	81	80	79	74	67	62	58	54	51	
		40	72	72	72	72	72	72	72	71	67	62	58	54	51	
		50	66	66	66	66	66	66	66	66	65	62	58	54	51	
		60	61	61	61	61	61	61	61	61	61	60	58	54	51	
		70	57	57	57	57	57	57	57	57	57	57	57	57	54	51
		80	53	53	53	53	53	53	53	53	53	53	53	53	53	51
		90	51	51	51	51	51	51	51	51	51	51	51	51	51	51
Zone 3e		0	97	93	89	85	80	75	71	64	58	54	50	47	44	
		10	97	93	89	85	80	75	71	64	58	54	50	47	44	
		20	93	93	89	85	80	75	71	64	58	54	50	47	44	
		30	81	81	81	81	80	75	71	64	58	54	50	47	44	
		40	72	72	72	72	72	72	71	64	58	54	50	47	44	
		50	66	66	66	66	66	66	66	64	58	54	50	47	44	
		60	61	61	61	61	61	61	61	61	58	54	50	47	44	
		70	57	57	57	57	57	57	57	57	57	54	50	47	44	
		80	53	53	53	53	53	53	53	53	53	53	50	47	44	
		90	51	51	51	51	51	51	51	51	51	51	50	47	44	

Notes:

1. Tables are based on critical rail span for load combinations as specified in chapter 2 of the ASCE 7-16 and allowable design loads per the 2015 Aluminum Design Manual.
2. Panels are assumed to be in landscape orientation with a maximum width of 42"

Max Rail Spans for SunModo SMR100 System

Roof Wind Zone		Ground Snow Load (psf)	Wind Speed (mph)													
			90	95	100	105	110	115	120	130	140	150	160	170	180	
Zones 1, 2e, & 2r		0	118	118	114	109	104	100	97	90	84	76	69	64	60	
		10	107	107	106	104	102	100	97	90	84	76	69	64	60	
		20	93	92	91	90	89	87	86	83	81	76	69	64	60	
		30	81	81	81	80	79	78	77	75	74	72	69	64	60	
		40	72	72	72	72	72	72	72	71	69	68	66	65	63	60
		50	66	66	66	66	66	66	66	66	65	64	62	61	60	59
		60	61	61	61	61	61	61	61	61	61	60	59	58	57	56
		70	57	57	57	57	57	57	57	57	57	57	56	55	54	53
		80	53	53	53	53	53	53	53	53	53	53	53	53	52	51
		90	51	51	51	51	51	51	51	51	51	51	51	51	51	49
Zones 2n & 3r		0	117	112	107	102	98	95	91	85	77	70	65	61	57	
		10	107	107	106	102	98	95	91	85	77	70	65	61	57	
		20	93	92	91	90	89	87	86	83	77	70	65	61	57	
		30	81	81	81	80	79	78	77	75	74	70	65	61	57	
		40	72	72	72	72	72	72	72	71	69	68	66	65	61	57
		50	66	66	66	66	66	66	66	66	65	64	62	61	60	57
		60	61	61	61	61	61	61	61	61	61	60	59	58	57	56
		70	57	57	57	57	57	57	57	57	57	57	56	55	54	53
		80	53	53	53	53	53	53	53	53	53	53	53	53	52	51
		90	51	51	51	51	51	51	51	51	51	51	51	51	51	49
Zone 3e		0	106	102	97	93	90	86	82	73	66	61	57	53	49	
		10	106	102	97	93	90	86	82	73	66	61	57	53	49	
		20	93	92	91	90	89	86	82	73	66	61	57	53	49	
		30	81	81	81	80	79	78	77	73	66	61	57	53	49	
		40	72	72	72	72	72	72	72	71	69	66	61	57	53	49
		50	66	66	66	66	66	66	66	66	65	64	61	57	53	49
		60	61	61	61	61	61	61	61	61	61	60	59	57	53	49
		70	57	57	57	57	57	57	57	57	57	57	56	55	53	49
		80	53	53	53	53	53	53	53	53	53	53	53	53	52	49
		90	51	51	51	51	51	51	51	51	51	51	51	51	50	49

Notes:

1. Tables are based on critical rail span for load combinations as specified in chapter 2 of the ASCE 7-16 and allowable design loads per the 2015 Aluminum Design Manual.
2. Panels are assumed to be in landscape orientation with a maximum width of 42"

Max Rail Spans for SunModo SMR100 System

Roof Wind Zone		Ground Snow Load (psf)	Wind Speed (mph)													
			90	95	100	105	110	115	120	130	140	150	160	170	180	
Zones 1, 2e, & 2r		0	104	99	95	91	87	83	78	69	64	59	55	52	49	
		10	104	99	95	91	87	83	78	69	64	59	55	52	49	
		20	93	92	91	90	87	83	78	69	64	59	55	52	49	
		30	81	81	81	80	79	78	77	69	64	59	55	52	49	
		40	72	72	72	72	72	72	71	69	64	59	55	52	49	
		50	66	66	66	66	66	66	66	65	64	59	55	52	49	
		60	61	61	61	61	61	61	61	61	60	59	55	52	49	
		70	57	57	57	57	57	57	57	57	57	56	55	52	49	
		80	53	53	53	53	53	53	53	53	53	53	53	52	49	
		90	51	51	51	51	51	51	51	51	51	51	51	51	50	49
Zones 2n & 3r		0	98	94	90	86	81	76	72	65	60	56	52	49	46	
		10	98	94	90	86	81	76	72	65	60	56	52	49	46	
		20	93	92	90	86	81	76	72	65	60	56	52	49	46	
		30	81	81	81	80	79	76	72	65	60	56	52	49	46	
		40	72	72	72	72	72	72	71	65	60	56	52	49	46	
		50	66	66	66	66	66	66	66	65	60	56	52	49	46	
		60	61	61	61	61	61	61	61	61	60	56	52	49	46	
		70	57	57	57	57	57	57	57	57	57	56	52	49	46	
		80	53	53	53	53	53	53	53	53	53	53	53	52	49	46
		90	51	51	51	51	51	51	51	51	51	51	51	51	49	46
Zone 3e		0	89	86	80	74	70	66	63	57	52	48	45	42	39	
		10	89	86	80	74	70	66	63	57	52	48	45	42	39	
		20	89	86	80	74	70	66	63	57	52	48	45	42	39	
		30	81	81	80	74	70	66	63	57	52	48	45	42	39	
		40	72	72	72	72	70	66	63	57	52	48	45	42	39	
		50	66	66	66	66	66	66	63	57	52	48	45	42	39	
		60	61	61	61	61	61	61	61	57	52	48	45	42	39	
		70	57	57	57	57	57	57	57	57	52	48	45	42	39	
		80	53	53	53	53	53	53	53	53	52	48	45	42	39	
		90	51	51	51	51	51	51	51	51	51	48	45	42	39	

Notes:

1. Tables are based on critical rail span for load combinations as specified in chapter 2 of the ASCE 7-16 and allowable design loads per the 2015 Aluminum Design Manual.
2. Panels are assumed to be in landscape orientation with a maximum width of 42"

Max Rail Spans for SunModo SMR100 System

Roof Wind Zone		Ground Snow Load (psf)	Wind Speed (mph)								Panel Orientation: Landscape					
			90	95	100	105	110	115	120	130	140	150	160	170	180	
Zone 1		0	118	118	118	118	118	118	118	112	106	100	95	90	85	
		10	100	100	100	100	100	100	100	100	100	98	95	90	85	
		20	79	79	79	79	79	79	79	79	79	79	79	79	78	76
		30	79	79	79	79	79	79	79	79	79	79	79	79	78	76
		40	70	70	70	70	70	70	70	70	70	70	70	70	70	70
		50	63	63	63	63	63	63	63	63	63	63	63	63	63	63
		60	58	58	58	58	58	58	58	58	58	58	58	58	58	58
		70	54	54	54	54	54	54	54	54	54	54	54	54	54	54
		80	51	51	51	51	51	51	51	51	51	51	51	51	51	51
90	48	48	48	48	48	48	48	48	48	48	48	48	48	48		
Zone 2r		0	118	118	118	118	118	114	110	102	96	90	83	77	71	
		10	100	100	100	100	100	100	100	100	100	96	90	83	77	71
		20	79	79	79	79	79	79	79	79	79	79	79	79	77	71
		30	79	79	79	79	79	79	79	79	79	79	79	79	77	71
		40	70	70	70	70	70	70	70	70	70	70	70	70	70	70
		50	63	63	63	63	63	63	63	63	63	63	63	63	63	63
		60	58	58	58	58	58	58	58	58	58	58	58	58	58	58
		70	54	54	54	54	54	54	54	54	54	54	54	54	54	54
		80	51	51	51	51	51	51	51	51	51	51	51	51	51	51
90	48	48	48	48	48	48	48	48	48	48	48	48	48	48		
Zones 2e & 3		0	118	118	118	118	115	110	106	99	93	86	79	73	68	
		10	100	100	100	100	100	100	100	99	93	86	79	73	68	
		20	79	79	79	79	79	79	79	79	79	79	79	79	73	68
		30	79	79	79	79	79	79	79	79	79	79	79	79	73	68
		40	70	70	70	70	70	70	70	70	70	70	70	70	70	68
		50	63	63	63	63	63	63	63	63	63	63	63	63	63	63
		60	58	58	58	58	58	58	58	58	58	58	58	58	58	58
		70	54	54	54	54	54	54	54	54	54	54	54	54	54	54
		80	51	51	51	51	51	51	51	51	51	51	51	51	51	51
90	48	48	48	48	48	48	48	48	48	48	48	48	48	48		

Notes:

1. Tables are based on critical rail span for load combinations as specified in chapter 2 of the ASCE 7-16 and allowable design loads per the 2015 Aluminum Design Manual.
2. Panels are assumed to be in landscape orientation with a maximum width of 42"

Max Rail Spans for SunModo SMR100 System

Roof Wind Zone		Ground Snow Load (psf)	Wind Speed (mph)													
			90	95	100	105	110	115	120	130	140	150	160	170	180	
Zone 1		0	118	118	118	114	109	105	101	95	90	82	76	71	66	
		10	100	100	100	100	100	100	100	100	95	90	82	76	71	66
		20	79	79	79	79	79	79	79	79	79	79	79	76	71	66
		30	79	79	79	79	79	79	79	79	79	79	79	76	71	66
		40	70	70	70	70	70	70	70	70	70	70	70	70	70	66
		50	63	63	63	63	63	63	63	63	63	63	63	63	63	63
		60	58	58	58	58	58	58	58	58	58	58	58	58	58	58
		70	54	54	54	54	54	54	54	54	54	54	54	54	54	54
		80	51	51	51	51	51	51	51	51	51	51	51	51	51	51
		90	48	48	48	48	48	48	48	48	48	48	48	48	48	48
Zone 2r		0	118	113	108	103	99	95	92	84	76	69	64	60	57	
		10	100	100	100	100	99	95	92	84	76	69	64	60	57	
		20	79	79	79	79	79	79	79	79	76	69	64	60	57	
		30	79	79	79	79	79	79	79	79	76	69	64	60	57	
		40	70	70	70	70	70	70	70	70	70	69	64	60	57	
		50	63	63	63	63	63	63	63	63	63	63	63	63	60	57
		60	58	58	58	58	58	58	58	58	58	58	58	58	58	57
		70	54	54	54	54	54	54	54	54	54	54	54	54	54	54
		80	51	51	51	51	51	51	51	51	51	51	51	51	51	51
		90	48	48	48	48	48	48	48	48	48	48	48	48	48	48
Zones 2e & 3		0	115	109	104	100	96	92	89	79	72	66	62	58	54	
		10	100	100	100	100	96	92	89	79	72	66	62	58	54	
		20	79	79	79	79	79	79	79	79	72	66	62	58	54	
		30	79	79	79	79	79	79	79	79	72	66	62	58	54	
		40	70	70	70	70	70	70	70	70	70	66	62	58	54	
		50	63	63	63	63	63	63	63	63	63	63	62	58	54	
		60	58	58	58	58	58	58	58	58	58	58	58	58	54	
		70	54	54	54	54	54	54	54	54	54	54	54	54	54	
		80	51	51	51	51	51	51	51	51	51	51	51	51	51	
		90	48	48	48	48	48	48	48	48	48	48	48	48	48	

Notes:

1. Tables are based on critical rail span for load combinations as specified in chapter 2 of the ASCE 7-16 and allowable design loads per the 2015 Aluminum Design Manual.
2. Panels are assumed to be in landscape orientation with a maximum width of 42"

Max Rail Spans for SunModo SMR100 System

Roof Wind Zone		Ground Snow Load (psf)	Wind Speed (mph)													
			90	95	100	105	110	115	120	130	140	150	160	170	180	
Zone 1		0	118	118	118	114	109	105	102	95	90	83	76	71	66	
		10	100	100	100	100	100	100	100	99	95	90	83	76	71	66
		20	79	79	79	79	79	79	79	79	79	78	76	75	71	66
		30	79	79	79	79	79	79	79	79	79	78	76	75	71	66
		40	70	70	70	70	70	70	70	70	70	70	69	68	67	66
		50	63	63	63	63	63	63	63	63	63	63	63	63	63	62
		60	58	58	58	58	58	58	58	58	58	58	58	58	58	58
		70	54	54	54	54	54	54	54	54	54	54	54	54	54	54
		80	51	51	51	51	51	51	51	51	51	51	51	51	51	51
		90	48	48	48	48	48	48	48	48	48	48	48	48	48	48
Zone 2r		0	118	114	108	104	99	96	92	84	76	69	65	61	57	
		10	100	100	100	100	99	96	92	84	76	69	65	61	57	
		20	79	79	79	79	79	79	79	79	76	69	65	61	57	
		30	79	79	79	79	79	79	79	79	76	69	65	61	57	
		40	70	70	70	70	70	70	70	70	70	69	65	61	57	
		50	63	63	63	63	63	63	63	63	63	63	63	63	61	57
		60	58	58	58	58	58	58	58	58	58	58	58	58	58	57
		70	54	54	54	54	54	54	54	54	54	54	54	54	54	54
		80	51	51	51	51	51	51	51	51	51	51	51	51	51	51
		90	48	48	48	48	48	48	48	48	48	48	48	48	48	48
Zones 2e & 3		0	115	109	104	100	96	92	89	80	72	66	62	58	55	
		10	100	100	100	100	96	92	89	80	72	66	62	58	55	
		20	79	79	79	79	79	79	79	79	72	66	62	58	55	
		30	79	79	79	79	79	79	79	79	72	66	62	58	55	
		40	70	70	70	70	70	70	70	70	70	66	62	58	55	
		50	63	63	63	63	63	63	63	63	63	63	63	62	58	55
		60	58	58	58	58	58	58	58	58	58	58	58	58	58	55
		70	54	54	54	54	54	54	54	54	54	54	54	54	54	54
		80	51	51	51	51	51	51	51	51	51	51	51	51	51	51
		90	48	48	48	48	48	48	48	48	48	48	48	48	48	48

Notes:

1. Tables are based on critical rail span for load combinations as specified in chapter 2 of the ASCE 7-16 and allowable design loads per the 2015 Aluminum Design Manual.
2. Panels are assumed to be in landscape orientation with a maximum width of 42"

Max Rail Spans for SunModo SMR100 System

Roof Wind Zone		Ground Snow Load (psf)	Wind Speed (mph)													
			90	95	100	105	110	115	120	130	140	150	160	170	180	
Zone 1		0	109	104	100	96	93	89	85	77	70	65	61	57	54	
		10	100	100	100	96	93	89	85	77	70	65	61	57	54	
		20	79	79	79	79	79	79	79	79	77	70	65	61	57	54
		30	79	79	79	79	79	79	79	79	77	70	65	61	57	54
		40	70	70	70	70	70	70	70	70	70	70	65	61	57	54
		50	63	63	63	63	63	63	63	63	63	63	63	61	57	54
		60	58	58	58	58	58	58	58	58	58	58	58	58	57	54
		70	54	54	54	54	54	54	54	54	54	54	54	54	54	54
		80	51	51	51	51	51	51	51	51	51	51	51	51	51	51
		90	48	48	48	48	48	48	48	48	48	48	48	48	48	48
Zone 2r		0	99	95	91	86	80	76	71	65	60	56	52	49	46	
		10	99	95	91	86	80	76	71	65	60	56	52	49	46	
		20	79	79	79	79	79	76	71	65	60	56	52	49	46	
		30	79	79	79	79	79	76	71	65	60	56	52	49	46	
		40	70	70	70	70	70	70	70	65	60	56	52	49	46	
		50	63	63	63	63	63	63	63	63	60	56	52	49	46	
		60	58	58	58	58	58	58	58	58	58	58	56	52	49	46
		70	54	54	54	54	54	54	54	54	54	54	54	52	49	46
		80	51	51	51	51	51	51	51	51	51	51	51	51	49	46
		90	48	48	48	48	48	48	48	48	48	48	48	48	48	46
Zones 2e & 3		0	96	92	87	81	76	72	68	62	58	53	50	47	44	
		10	96	92	87	81	76	72	68	62	58	53	50	47	44	
		20	79	79	79	79	76	72	68	62	58	53	50	47	44	
		30	79	79	79	79	76	72	68	62	58	53	50	47	44	
		40	70	70	70	70	70	70	68	62	58	53	50	47	44	
		50	63	63	63	63	63	63	63	62	58	53	50	47	44	
		60	58	58	58	58	58	58	58	58	58	58	53	50	47	44
		70	54	54	54	54	54	54	54	54	54	54	53	50	47	44
		80	51	51	51	51	51	51	51	51	51	51	51	50	47	44
		90	48	48	48	48	48	48	48	48	48	48	48	48	47	44

Notes:

1. Tables are based on critical rail span for load combinations as specified in chapter 2 of the ASCE 7-16 and allowable design loads per the 2015 Aluminum Design Manual.
2. Panels are assumed to be in landscape orientation with a maximum width of 42"

Max Rail Spans for SunModo SMR100 System

Roof Wind Zone		Ground Snow Load (psf)	Wind Speed (mph)													
			90	95	100	105	110	115	120	130	140	150	160	170	180	
Zone 1		0	118	114	109	105	101	97	94	88	80	73	68	64	60	
		10	100	100	100	100	99	97	94	88	80	73	68	64	60	
		20	79	79	79	79	79	79	79	79	77	75	73	68	64	60
		30	79	79	79	79	79	79	79	79	77	75	73	68	64	60
		40	70	70	70	70	70	70	70	70	70	69	68	66	64	60
		50	63	63	63	63	63	63	63	63	63	63	63	62	61	60
		60	58	58	58	58	58	58	58	58	58	58	58	58	57	57
		70	54	54	54	54	54	54	54	54	54	54	54	54	54	54
		80	51	51	51	51	51	51	51	51	51	51	51	51	51	51
		90	48	48	48	48	48	48	48	48	48	48	48	48	48	48
Zone 2r		0	109	104	99	95	92	88	82	74	67	62	58	55	52	
		10	100	100	99	95	92	88	82	74	67	62	58	55	52	
		20	79	79	79	79	79	79	79	74	67	62	58	55	52	
		30	79	79	79	79	79	79	79	74	67	62	58	55	52	
		40	70	70	70	70	70	70	70	70	67	62	58	55	52	
		50	63	63	63	63	63	63	63	63	63	63	62	58	55	52
		60	58	58	58	58	58	58	58	58	58	58	58	58	55	52
		70	54	54	54	54	54	54	54	54	54	54	54	54	54	52
		80	51	51	51	51	51	51	51	51	51	51	51	51	51	51
		90	48	48	48	48	48	48	48	48	48	48	48	48	48	48
Zones 2e & 3		0	105	100	96	92	88	83	78	70	64	60	56	52	49	
		10	100	100	96	92	88	83	78	70	64	60	56	52	49	
		20	79	79	79	79	79	79	79	78	70	64	60	56	52	49
		30	79	79	79	79	79	79	79	78	70	64	60	56	52	49
		40	70	70	70	70	70	70	70	70	70	64	60	56	52	49
		50	63	63	63	63	63	63	63	63	63	63	60	56	52	49
		60	58	58	58	58	58	58	58	58	58	58	58	56	52	49
		70	54	54	54	54	54	54	54	54	54	54	54	54	52	49
		80	51	51	51	51	51	51	51	51	51	51	51	51	51	49
		90	48	48	48	48	48	48	48	48	48	48	48	48	48	48

Notes:

1. Tables are based on critical rail span for load combinations as specified in chapter 2 of the ASCE 7-16 and allowable design loads per the 2015 Aluminum Design Manual.
2. Panels are assumed to be in landscape orientation with a maximum width of 42"

Max Rail Spans for SunModo SMR100 System

Roof Wind Zone		Ground Snow Load (psf)	Wind Speed (mph)													
			90	95	100	105	110	115	120	130	140	150	160	170	180	
Zone 1		0	101	96	93	89	84	79	75	68	63	59	55	51	48	
		10	100	96	93	89	84	79	75	68	63	59	55	51	48	
		20	79	79	79	79	79	79	79	75	68	63	59	55	51	48
		30	79	79	79	79	79	79	79	75	68	63	59	55	51	48
		40	70	70	70	70	70	70	70	70	68	63	59	55	51	48
		50	63	63	63	63	63	63	63	63	63	63	59	55	51	48
		60	58	58	58	58	58	58	58	58	58	58	58	55	51	48
		70	54	54	54	54	54	54	54	54	54	54	54	54	51	48
		80	51	51	51	51	51	51	51	51	51	51	51	51	51	48
		90	48	48	48	48	48	48	48	48	48	48	48	48	48	48
Zone 2r		0	91	86	80	75	70	67	64	59	54	50	47	44	42	
		10	91	86	80	75	70	67	64	59	54	50	47	44	42	
		20	79	79	79	75	70	67	64	59	54	50	47	44	42	
		30	79	79	79	75	70	67	64	59	54	50	47	44	42	
		40	70	70	70	70	70	67	64	59	54	50	47	44	42	
		50	63	63	63	63	63	63	63	59	54	50	47	44	42	
		60	58	58	58	58	58	58	58	58	58	54	50	47	44	42
		70	54	54	54	54	54	54	54	54	54	54	50	47	44	42
		80	51	51	51	51	51	51	51	51	51	51	50	47	44	42
		90	48	48	48	48	48	48	48	48	48	48	48	47	44	42
Zones 2e & 3		0	88	81	76	71	67	64	61	56	52	48	45	42	40	
		10	88	81	76	71	67	64	61	56	52	48	45	42	40	
		20	79	79	76	71	67	64	61	56	52	48	45	42	40	
		30	79	79	76	71	67	64	61	56	52	48	45	42	40	
		40	70	70	70	70	67	64	61	56	52	48	45	42	40	
		50	63	63	63	63	63	63	61	56	52	48	45	42	40	
		60	58	58	58	58	58	58	58	56	52	48	45	42	40	
		70	54	54	54	54	54	54	54	54	52	48	45	42	40	
		80	51	51	51	51	51	51	51	51	51	48	45	42	40	
		90	48	48	48	48	48	48	48	48	48	48	45	42	40	

Notes:

1. Tables are based on critical rail span for load combinations as specified in chapter 2 of the ASCE 7-16 and allowable design loads per the 2015 Aluminum Design Manual.
2. Panels are assumed to be in landscape orientation with a maximum width of 42"

Max Rail Spans for SunModo SMR100 System

Roof Wind Zone		Ground Snow Load (psf)	Wind Speed (mph)													
			90	95	100	105	110	115	120	130	140	150	160	170	180	
Zone 1		0	118	118	118	118	118	118	118	118	118	114	108	103	98	
		10	100	100	100	100	100	100	100	100	100	99	97	95	93	91
		20	79	79	79	79	79	79	79	79	79	79	79	78	77	76
		30	79	79	79	79	79	79	79	79	79	79	79	78	77	76
		40	70	70	70	70	70	70	70	70	70	70	70	70	70	70
		50	63	63	63	63	63	63	63	63	63	63	63	63	63	63
		60	58	58	58	58	58	58	58	58	58	58	58	58	58	58
		70	54	54	54	54	54	54	54	54	54	54	54	54	54	54
		80	51	51	51	51	51	51	51	51	51	51	51	51	51	51
		90	48	48	48	48	48	48	48	48	48	48	48	48	48	48
Zone 2r		0	118	118	118	118	118	114	110	102	96	90	83	77	71	
		10	100	100	100	100	100	100	100	100	100	96	90	83	77	71
		20	79	79	79	79	79	79	79	79	79	79	79	78	77	71
		30	79	79	79	79	79	79	79	79	79	79	79	78	77	71
		40	70	70	70	70	70	70	70	70	70	70	70	70	70	70
		50	63	63	63	63	63	63	63	63	63	63	63	63	63	63
		60	58	58	58	58	58	58	58	58	58	58	58	58	58	58
		70	54	54	54	54	54	54	54	54	54	54	54	54	54	54
		80	51	51	51	51	51	51	51	51	51	51	51	51	51	51
		90	48	48	48	48	48	48	48	48	48	48	48	48	48	48
Zones 2e & 3		0	118	118	118	118	118	118	118	116	108	102	96	92	86	
		10	100	100	100	100	100	100	100	100	100	99	97	95	92	86
		20	79	79	79	79	79	79	79	79	79	79	79	78	77	76
		30	79	79	79	79	79	79	79	79	79	79	79	78	77	76
		40	70	70	70	70	70	70	70	70	70	70	70	70	70	70
		50	63	63	63	63	63	63	63	63	63	63	63	63	63	63
		60	58	58	58	58	58	58	58	58	58	58	58	58	58	58
		70	54	54	54	54	54	54	54	54	54	54	54	54	54	54
		80	51	51	51	51	51	51	51	51	51	51	51	51	51	51
		90	48	48	48	48	48	48	48	48	48	48	48	48	48	48

Notes:

1. Tables are based on critical rail span for load combinations as specified in chapter 2 of the ASCE 7-16 and allowable design loads per the 2015 Aluminum Design Manual.
2. Panels are assumed to be in landscape orientation with a maximum width of 42"

Max Rail Spans for SunModo SMR100 System

Roof Wind Zone		Ground Snow Load (psf)	Wind Speed (mph)														
			90	95	100	105	110	115	120	130	140	150	160	170	180		
Zone 1		0	118	118	118	118	118	118	118	116	109	102	97	92	86	80	
		10	100	100	100	100	100	100	100	100	100	99	97	92	86	80	
		20	79	79	79	79	79	79	79	79	79	79	79	79	78	77	76
		30	79	79	79	79	79	79	79	79	79	79	79	79	78	77	76
		40	70	70	70	70	70	70	70	70	70	70	70	70	70	70	70
		50	63	63	63	63	63	63	63	63	63	63	63	63	63	63	63
		60	58	58	58	58	58	58	58	58	58	58	58	58	58	58	58
		70	54	54	54	54	54	54	54	54	54	54	54	54	54	54	54
		80	51	51	51	51	51	51	51	51	51	51	51	51	51	51	51
		90	48	48	48	48	48	48	48	48	48	48	48	48	48	48	48
Zone 2r		0	118	113	108	103	99	95	92	84	76	69	64	60	57	57	
		10	100	100	100	100	99	95	92	84	76	69	64	60	57	57	
		20	79	79	79	79	79	79	79	79	76	69	64	60	57	57	
		30	79	79	79	79	79	79	79	79	76	69	64	60	57	57	
		40	70	70	70	70	70	70	70	70	70	69	64	60	57	57	
		50	63	63	63	63	63	63	63	63	63	63	63	63	60	57	57
		60	58	58	58	58	58	58	58	58	58	58	58	58	58	58	57
		70	54	54	54	54	54	54	54	54	54	54	54	54	54	54	54
		80	51	51	51	51	51	51	51	51	51	51	51	51	51	51	51
		90	48	48	48	48	48	48	48	48	48	48	48	48	48	48	48
Zones 2e & 3		0	118	118	118	117	112	108	104	97	91	84	77	71	66	66	
		10	100	100	100	100	100	100	100	97	91	84	77	71	66	66	
		20	79	79	79	79	79	79	79	79	79	79	77	71	66	66	
		30	79	79	79	79	79	79	79	79	79	79	77	71	66	66	
		40	70	70	70	70	70	70	70	70	70	70	70	70	70	66	66
		50	63	63	63	63	63	63	63	63	63	63	63	63	63	63	63
		60	58	58	58	58	58	58	58	58	58	58	58	58	58	58	58
		70	54	54	54	54	54	54	54	54	54	54	54	54	54	54	54
		80	51	51	51	51	51	51	51	51	51	51	51	51	51	51	51
		90	48	48	48	48	48	48	48	48	48	48	48	48	48	48	48

Notes:

1. Tables are based on critical rail span for load combinations as specified in chapter 2 of the ASCE 7-16 and allowable design loads per the 2015 Aluminum Design Manual.
2. Panels are assumed to be in landscape orientation with a maximum width of 42"

Max Rail Spans for SunModo SMR100 System

Roof Wind Zone		Ground Snow Load (psf)	Wind Speed (mph)														
			90	95	100	105	110	115	120	130	140	150	160	170	180		
Zone 1		0	118	118	118	118	118	118	117	109	102	97	92	87	81		
		10	100	100	100	100	100	100	99	98	95	93	91	88	86	81	
		20	79	79	79	79	79	79	79	79	79	77	76	74	73	71	
		30	79	79	79	79	79	79	79	79	79	77	76	74	73	71	
		40	70	70	70	70	70	70	70	70	70	70	69	68	67	66	
		50	63	63	63	63	63	63	63	63	63	63	63	63	63	63	62
		60	58	58	58	58	58	58	58	58	58	58	58	58	58	58	58
		70	54	54	54	54	54	54	54	54	54	54	54	54	54	54	54
		80	51	51	51	51	51	51	51	51	51	51	51	51	51	51	51
		90	48	48	48	48	48	48	48	48	48	48	48	48	48	48	48
Zone 2r		0	118	114	108	104	99	96	92	84	76	69	65	61	57		
		10	100	100	100	100	99	96	92	84	76	69	65	61	57		
		20	79	79	79	79	79	79	79	79	76	69	65	61	57		
		30	79	79	79	79	79	79	79	79	76	69	65	61	57		
		40	70	70	70	70	70	70	70	70	70	69	65	61	57		
		50	63	63	63	63	63	63	63	63	63	63	63	63	61	57	
		60	58	58	58	58	58	58	58	58	58	58	58	58	58	57	
		70	54	54	54	54	54	54	54	54	54	54	54	54	54	54	
		80	51	51	51	51	51	51	51	51	51	51	51	51	51	51	
		90	48	48	48	48	48	48	48	48	48	48	48	48	48	48	
Zones 2e & 3		0	118	118	118	118	113	108	104	97	91	84	77	71	66		
		10	100	100	100	100	100	99	98	95	91	84	77	71	66		
		20	79	79	79	79	79	79	79	79	77	76	74	71	66		
		30	79	79	79	79	79	79	79	79	77	76	74	71	66		
		40	70	70	70	70	70	70	70	70	70	69	68	67	66		
		50	63	63	63	63	63	63	63	63	63	63	63	63	63	62	
		60	58	58	58	58	58	58	58	58	58	58	58	58	58	58	
		70	54	54	54	54	54	54	54	54	54	54	54	54	54	54	
		80	51	51	51	51	51	51	51	51	51	51	51	51	51	51	
		90	48	48	48	48	48	48	48	48	48	48	48	48	48	48	

Notes:

1. Tables are based on critical rail span for load combinations as specified in chapter 2 of the ASCE 7-16 and allowable design loads per the 2015 Aluminum Design Manual.
2. Panels are assumed to be in landscape orientation with a maximum width of 42"

Max Rail Spans for SunModo SMR100 System

Roof Wind Zone		Ground Snow Load (psf)	Wind Speed (mph)													
			90	95	100	105	110	115	120	130	140	150	160	170	180	
Zone 1		0	118	118	115	110	106	102	98	92	86	79	73	68	64	
		10	100	100	100	100	100	99	98	92	86	79	73	68	64	
		20	79	79	79	79	79	79	79	79	77	76	73	68	64	
		30	79	79	79	79	79	79	79	79	77	76	73	68	64	
		40	70	70	70	70	70	70	70	70	70	69	68	67	64	
		50	63	63	63	63	63	63	63	63	63	63	63	63	63	62
		60	58	58	58	58	58	58	58	58	58	58	58	58	58	58
		70	54	54	54	54	54	54	54	54	54	54	54	54	54	54
		80	51	51	51	51	51	51	51	51	51	51	51	51	51	51
		90	48	48	48	48	48	48	48	48	48	48	48	48	48	48
Zone 2r		0	99	95	91	86	80	76	71	65	60	56	52	49	46	
		10	99	95	91	86	80	76	71	65	60	56	52	49	46	
		20	79	79	79	79	79	76	71	65	60	56	52	49	46	
		30	79	79	79	79	79	76	71	65	60	56	52	49	46	
		40	70	70	70	70	70	70	70	65	60	56	52	49	46	
		50	63	63	63	63	63	63	63	63	60	56	52	49	46	
		60	58	58	58	58	58	58	58	58	58	56	52	49	46	
		70	54	54	54	54	54	54	54	54	54	54	52	49	46	
		80	51	51	51	51	51	51	51	51	51	51	51	49	46	
		90	48	48	48	48	48	48	48	48	48	48	48	48	46	
Zones 2e & 3		0	112	107	102	98	94	91	87	78	70	65	61	57	54	
		10	100	100	100	98	94	91	87	78	70	65	61	57	54	
		20	79	79	79	79	79	79	79	78	70	65	61	57	54	
		30	79	79	79	79	79	79	79	78	70	65	61	57	54	
		40	70	70	70	70	70	70	70	70	70	65	61	57	54	
		50	63	63	63	63	63	63	63	63	63	63	61	57	54	
		60	58	58	58	58	58	58	58	58	58	58	58	57	54	
		70	54	54	54	54	54	54	54	54	54	54	54	54	54	
		80	51	51	51	51	51	51	51	51	51	51	51	51	51	
		90	48	48	48	48	48	48	48	48	48	48	48	48	48	

Notes:

1. Tables are based on critical rail span for load combinations as specified in chapter 2 of the ASCE 7-16 and allowable design loads per the 2015 Aluminum Design Manual.
2. Panels are assumed to be in landscape orientation with a maximum width of 42"

Max Rail Spans for SunModo SMR100 System

Roof Wind Zone		Ground Snow Load (psf)	Wind Speed (mph)													
			90	95	100	105	110	115	120	130	140	150	160	170	180	
Zone 1		0	118	118	118	118	116	111	108	101	95	90	83	77	72	
		10	100	100	100	99	97	96	95	92	90	87	83	77	72	
		20	79	79	79	79	79	79	79	78	77	75	74	72	70	69
		30	79	79	79	79	79	79	79	78	77	75	74	72	70	69
		40	70	70	70	70	70	70	70	70	70	69	68	66	65	64
		50	63	63	63	63	63	63	63	63	63	63	63	62	61	60
		60	58	58	58	58	58	58	58	58	58	58	58	58	57	57
		70	54	54	54	54	54	54	54	54	54	54	54	54	54	54
		80	51	51	51	51	51	51	51	51	51	51	51	51	51	51
		90	48	48	48	48	48	48	48	48	48	48	48	48	48	48
Zone 2r		0	109	104	99	95	92	88	82	74	67	62	58	55	52	
		10	100	100	99	95	92	88	82	74	67	62	58	55	52	
		20	79	79	79	79	79	79	79	78	74	67	62	58	55	52
		30	79	79	79	79	79	79	79	78	74	67	62	58	55	52
		40	70	70	70	70	70	70	70	70	70	67	62	58	55	52
		50	63	63	63	63	63	63	63	63	63	63	62	58	55	52
		60	58	58	58	58	58	58	58	58	58	58	58	58	55	52
		70	54	54	54	54	54	54	54	54	54	54	54	54	54	52
		80	51	51	51	51	51	51	51	51	51	51	51	51	51	51
		90	48	48	48	48	48	48	48	48	48	48	48	48	48	48
Zones 2e & 3		0	118	118	112	108	103	99	96	90	81	74	68	64	60	
		10	100	100	100	99	97	96	95	90	81	74	68	64	60	
		20	79	79	79	79	79	79	79	78	77	75	74	68	64	60
		30	79	79	79	79	79	79	79	78	77	75	74	68	64	60
		40	70	70	70	70	70	70	70	70	70	69	68	66	64	60
		50	63	63	63	63	63	63	63	63	63	63	63	62	61	60
		60	58	58	58	58	58	58	58	58	58	58	58	58	57	57
		70	54	54	54	54	54	54	54	54	54	54	54	54	54	54
		80	51	51	51	51	51	51	51	51	51	51	51	51	51	51
		90	48	48	48	48	48	48	48	48	48	48	48	48	48	48

Notes:

1. Tables are based on critical rail span for load combinations as specified in chapter 2 of the ASCE 7-16 and allowable design loads per the 2015 Aluminum Design Manual.
2. Panels are assumed to be in landscape orientation with a maximum width of 42"

Max Rail Spans for SunModo SMR100 System

Table 114b		Mean Roof Height:	$h \leq 15$ ft										Panel Orientation:	Landscape	
		Roof Angle:	$7 < \theta \leq 20$ degrees										North/South Support	$X_E = 1.5$	
		Exposure Category:	D										Roof Type :	Hip $h/B = \leq 0.5$	
Roof Wind Zone	Ground Snow Load (psf)	Wind Speed (mph)													
		90	95	100	105	110	115	120	130	140	150	160	170	180	
Zone 1	0	116	110	106	102	98	94	91	83	76	70	65	61	57	
	10	100	100	100	99	97	94	91	83	76	70	65	61	57	
	20	79	79	79	79	79	79	79	78	77	75	70	65	61	57
	30	79	79	79	79	79	79	79	78	77	75	70	65	61	57
	40	70	70	70	70	70	70	70	70	70	69	68	65	61	57
	50	63	63	63	63	63	63	63	63	63	63	63	62	61	57
	60	58	58	58	58	58	58	58	58	58	58	58	58	57	57
	70	54	54	54	54	54	54	54	54	54	54	54	54	54	54
	80	51	51	51	51	51	51	51	51	51	51	51	51	51	51
90	48	48	48	48	48	48	48	48	48	48	48	48	48	48	
Zone 2r	0	91	86	80	75	70	67	64	59	54	50	47	44	42	
	10	91	86	80	75	70	67	64	59	54	50	47	44	42	
	20	79	79	79	75	70	67	64	59	54	50	47	44	42	
	30	79	79	79	75	70	67	64	59	54	50	47	44	42	
	40	70	70	70	70	70	67	64	59	54	50	47	44	42	
	50	63	63	63	63	63	63	63	59	54	50	47	44	42	
	60	58	58	58	58	58	58	58	58	54	50	47	44	42	
	70	54	54	54	54	54	54	54	54	54	50	47	44	42	
	80	51	51	51	51	51	51	51	51	51	50	47	44	42	
90	48	48	48	48	48	48	48	48	48	48	47	44	42		
Zones 2e & 3	0	103	98	94	90	85	80	76	68	63	59	55	51	48	
	10	100	98	94	90	85	80	76	68	63	59	55	51	48	
	20	79	79	79	79	79	79	76	68	63	59	55	51	48	
	30	79	79	79	79	79	79	76	68	63	59	55	51	48	
	40	70	70	70	70	70	70	70	68	63	59	55	51	48	
	50	63	63	63	63	63	63	63	63	63	59	55	51	48	
	60	58	58	58	58	58	58	58	58	58	58	55	51	48	
	70	54	54	54	54	54	54	54	54	54	54	54	51	48	
	80	51	51	51	51	51	51	51	51	51	51	51	51	48	
90	48	48	48	48	48	48	48	48	48	48	48	48	48		

Notes:

1. Tables are based on critical rail span for load combinations as specified in chapter 2 of the ASCE 7-16 and allowable design loads per the 2015 Aluminum Design Manual.
2. Panels are assumed to be in landscape orientation with a maximum width of 42"

Max Rail Spans for SunModo SMR100 System

Roof Wind Zone		Ground Snow Load (psf)	Wind Speed (mph)													
			90	95	100	105	110	115	120	130	140	150	160	170	180	
Zone 1		0	118	118	118	118	118	118	118	118	118	115	109	103	98	
		10	107	107	107	107	107	107	107	107	107	107	107	105	102	98
		20	92	92	92	92	92	92	92	92	92	92	90	89	87	86
		30	79	79	79	79	79	79	79	79	79	79	79	79	77	76
		40	70	70	70	70	70	70	70	70	70	70	70	70	70	70
		50	63	63	63	63	63	63	63	63	63	63	63	63	63	63
		60	58	58	58	58	58	58	58	58	58	58	58	58	58	58
		70	54	54	54	54	54	54	54	54	54	54	54	54	54	54
		80	51	51	51	51	51	51	51	51	51	51	51	51	51	51
		90	48	48	48	48	48	48	48	48	48	48	48	48	48	48
Zones 2e, 2r, & 3		0	118	118	118	118	118	118	118	111	104	98	93	88	82	
		10	107	107	107	107	107	107	107	107	107	104	98	93	88	82
		20	92	92	92	92	92	92	92	92	92	92	90	89	87	82
		30	79	79	79	79	79	79	79	79	79	79	79	79	77	76
		40	70	70	70	70	70	70	70	70	70	70	70	70	70	70
		50	63	63	63	63	63	63	63	63	63	63	63	63	63	63
		60	58	58	58	58	58	58	58	58	58	58	58	58	58	58
		70	54	54	54	54	54	54	54	54	54	54	54	54	54	54
		80	51	51	51	51	51	51	51	51	51	51	51	51	51	51
		90	48	48	48	48	48	48	48	48	48	48	48	48	48	48

Notes:

1. Tables are based on critical rail span for load combinations as specified in chapter 2 of the ASCE 7-16 and allowable design loads per the 2015 Aluminum Design Manual.
2. Panels are assumed to be in landscape orientation with a maximum width of 42"

Max Rail Spans for SunModo SMR100 System

Roof Wind Zone		Ground Snow Load (psf)	Wind Speed (mph)														
			90	95	100	105	110	115	120	130	140	150	160	170	180		
Zone 1		0	118	118	118	118	118	118	118	118	109	102	96	91	86	79	
		10	107	107	107	107	107	107	107	107	107	107	102	96	91	86	79
		20	92	92	92	92	92	92	92	92	92	92	92	90	89	86	79
		30	79	79	79	79	79	79	79	79	79	79	79	79	79	77	76
		40	70	70	70	70	70	70	70	70	70	70	70	70	70	70	70
		50	63	63	63	63	63	63	63	63	63	63	63	63	63	63	63
		60	58	58	58	58	58	58	58	58	58	58	58	58	58	58	58
		70	54	54	54	54	54	54	54	54	54	54	54	54	54	54	54
		80	51	51	51	51	51	51	51	51	51	51	51	51	51	51	51
		90	48	48	48	48	48	48	48	48	48	48	48	48	48	48	48
Zones 2e, 2r, & 3		0	118	118	118	112	108	103	100	93	87	79	72	67	63		
		10	107	107	107	107	107	107	103	100	93	87	79	72	67	63	
		20	92	92	92	92	92	92	92	92	92	87	79	72	67	63	
		30	79	79	79	79	79	79	79	79	79	79	79	72	67	63	
		40	70	70	70	70	70	70	70	70	70	70	70	70	67	63	
		50	63	63	63	63	63	63	63	63	63	63	63	63	63	63	
		60	58	58	58	58	58	58	58	58	58	58	58	58	58	58	
		70	54	54	54	54	54	54	54	54	54	54	54	54	54	54	
		80	51	51	51	51	51	51	51	51	51	51	51	51	51	51	
		90	48	48	48	48	48	48	48	48	48	48	48	48	48	48	

Notes:

1. Tables are based on critical rail span for load combinations as specified in chapter 2 of the ASCE 7-16 and allowable design loads per the 2015 Aluminum Design Manual.
2. Panels are assumed to be in landscape orientation with a maximum width of 42"

Max Rail Spans for SunModo SMR100 System

Roof Wind Zone		Ground Snow Load (psf)	Wind Speed (mph)														
			90	95	100	105	110	115	120	130	140	150	160	170	180		
Zone 1		0	118	118	118	118	118	118	118	109	102	96	91	86	79		
		10	107	107	107	107	107	107	107	107	105	102	96	91	86	79	
		20	92	92	92	92	92	92	92	91	89	87	85	83	81	79	
		30	79	79	79	79	79	79	79	79	79	77	76	74	73	71	
		40	70	70	70	70	70	70	70	70	70	70	69	68	67	66	
		50	63	63	63	63	63	63	63	63	63	63	63	63	63	62	62
		60	58	58	58	58	58	58	58	58	58	58	58	58	58	58	58
		70	54	54	54	54	54	54	54	54	54	54	54	54	54	54	54
		80	51	51	51	51	51	51	51	51	51	51	51	51	51	51	51
		90	48	48	48	48	48	48	48	48	48	48	48	48	48	48	48
Zones 2e, 2r, & 3		0	118	118	118	113	108	104	100	93	87	80	73	67	63		
		10	107	107	107	107	107	104	100	93	87	80	73	67	63		
		20	92	92	92	92	92	92	92	91	89	87	80	73	67	63	
		30	79	79	79	79	79	79	79	79	79	77	76	73	67	63	
		40	70	70	70	70	70	70	70	70	70	70	69	68	67	63	
		50	63	63	63	63	63	63	63	63	63	63	63	63	63	62	62
		60	58	58	58	58	58	58	58	58	58	58	58	58	58	58	58
		70	54	54	54	54	54	54	54	54	54	54	54	54	54	54	54
		80	51	51	51	51	51	51	51	51	51	51	51	51	51	51	51
		90	48	48	48	48	48	48	48	48	48	48	48	48	48	48	48

Notes:

1. Tables are based on critical rail span for load combinations as specified in chapter 2 of the ASCE 7-16 and allowable design loads per the 2015 Aluminum Design Manual.
2. Panels are assumed to be in landscape orientation with a maximum width of 42"

Max Rail Spans for SunModo SMR100 System

Roof Wind Zone		Ground Snow Load (psf)	Wind Speed (mph)													
			90	95	100	105	110	115	120	130	140	150	160	170	180	
Zone 1		0	118	118	116	111	106	102	98	91	85	77	70	65	62	
		10	107	107	107	107	106	102	98	91	85	77	70	65	62	
		20	92	92	92	92	92	92	91	89	85	77	70	65	62	
		30	79	79	79	79	79	79	79	79	77	76	70	65	62	
		40	70	70	70	70	70	70	70	70	70	69	68	65	62	
		50	63	63	63	63	63	63	63	63	63	63	63	63	62	62
		60	58	58	58	58	58	58	58	58	58	58	58	58	58	58
		70	54	54	54	54	54	54	54	54	54	54	54	54	54	54
		80	51	51	51	51	51	51	51	51	51	51	51	51	51	51
		90	48	48	48	48	48	48	48	48	48	48	48	48	48	48
Zones 2e, 2r, & 3		0	108	103	98	94	90	87	82	73	67	62	58	54	51	
		10	107	103	98	94	90	87	82	73	67	62	58	54	51	
		20	92	92	92	92	90	87	82	73	67	62	58	54	51	
		30	79	79	79	79	79	79	79	73	67	62	58	54	51	
		40	70	70	70	70	70	70	70	70	67	62	58	54	51	
		50	63	63	63	63	63	63	63	63	63	62	58	54	51	
		60	58	58	58	58	58	58	58	58	58	58	58	54	51	
		70	54	54	54	54	54	54	54	54	54	54	54	54	51	
		80	51	51	51	51	51	51	51	51	51	51	51	51	51	
		90	48	48	48	48	48	48	48	48	48	48	48	48	48	

Notes:

1. Tables are based on critical rail span for load combinations as specified in chapter 2 of the ASCE 7-16 and allowable design loads per the 2015 Aluminum Design Manual.
2. Panels are assumed to be in landscape orientation with a maximum width of 42"

Max Rail Spans for SunModo SMR100 System

Roof Wind Zone		Ground Snow Load (psf)	Wind Speed (mph)													
			90	95	100	105	110	115	120	130	140	150	160	170	180	
Zone 1		0	118	118	118	118	117	112	108	100	94	89	82	75	69	
		10	107	107	107	107	107	106	104	100	94	89	82	75	69	
		20	92	92	92	92	91	90	89	86	84	82	80	75	69	
		30	79	79	79	79	79	79	79	78	77	75	74	72	70	69
		40	70	70	70	70	70	70	70	70	70	69	68	66	65	64
		50	63	63	63	63	63	63	63	63	63	63	63	62	61	60
		60	58	58	58	58	58	58	58	58	58	58	58	58	57	57
		70	54	54	54	54	54	54	54	54	54	54	54	54	54	54
		80	51	51	51	51	51	51	51	51	51	51	51	51	51	51
		90	48	48	48	48	48	48	48	48	48	48	48	48	48	48
Zones 2e, 2r, & 3		0	118	113	108	103	99	95	92	85	77	70	65	61	57	
		10	107	107	107	103	99	95	92	85	77	70	65	61	57	
		20	92	92	92	92	91	90	89	85	77	70	65	61	57	
		30	79	79	79	79	79	79	79	78	77	75	70	65	61	57
		40	70	70	70	70	70	70	70	70	70	69	68	65	61	57
		50	63	63	63	63	63	63	63	63	63	63	63	62	61	57
		60	58	58	58	58	58	58	58	58	58	58	58	58	57	57
		70	54	54	54	54	54	54	54	54	54	54	54	54	54	54
		80	51	51	51	51	51	51	51	51	51	51	51	51	51	51
		90	48	48	48	48	48	48	48	48	48	48	48	48	48	48

Notes:

1. Tables are based on critical rail span for load combinations as specified in chapter 2 of the ASCE 7-16 and allowable design loads per the 2015 Aluminum Design Manual.
2. Panels are assumed to be in landscape orientation with a maximum width of 42"

Max Rail Spans for SunModo SMR100 System

Roof Wind Zone		Ground Snow Load (psf)	Wind Speed (mph)													
			90	95	100	105	110	115	120	130	140	150	160	170	180	
Zone 1		0	117	111	106	101	97	94	90	82	74	67	63	59	56	
		10	107	107	106	101	97	94	90	82	74	67	63	59	56	
		20	92	92	92	92	91	90	89	82	74	67	63	59	56	
		30	79	79	79	79	79	79	79	78	77	74	67	63	59	56
		40	70	70	70	70	70	70	70	70	70	69	67	63	59	56
		50	63	63	63	63	63	63	63	63	63	63	63	62	59	56
		60	58	58	58	58	58	58	58	58	58	58	58	58	57	56
		70	54	54	54	54	54	54	54	54	54	54	54	54	54	54
		80	51	51	51	51	51	51	51	51	51	51	51	51	51	51
		90	48	48	48	48	48	48	48	48	48	48	48	48	48	48
Zones 2e, 2r, & 3		0	99	94	90	86	81	76	72	65	60	56	52	49	46	
		10	99	94	90	86	81	76	72	65	60	56	52	49	46	
		20	92	92	90	86	81	76	72	65	60	56	52	49	46	
		30	79	79	79	79	79	76	72	65	60	56	52	49	46	
		40	70	70	70	70	70	70	70	65	60	56	52	49	46	
		50	63	63	63	63	63	63	63	63	60	56	52	49	46	
		60	58	58	58	58	58	58	58	58	58	56	52	49	46	
		70	54	54	54	54	54	54	54	54	54	54	52	49	46	
		80	51	51	51	51	51	51	51	51	51	51	51	49	46	
		90	48	48	48	48	48	48	48	48	48	48	48	48	46	

Notes:

1. Tables are based on critical rail span for load combinations as specified in chapter 2 of the ASCE 7-16 and allowable design loads per the 2015 Aluminum Design Manual.
2. Panels are assumed to be in landscape orientation with a maximum width of 42"

Max Rail Spans for SunModo SMR100 System

Roof Wind Zone		Ground Snow Load (psf)	Wind Speed (mph)													
			90	95	100	105	110	115	120	130	140	150	160	170	180	
Zone 1		0	118	118	118	118	118	118	118	118	117	110	104	98	94	
		10	107	107	107	107	107	107	107	107	107	107	107	104	98	94
		20	93	93	93	93	93	93	93	93	93	93	92	91	89	88
		30	81	81	81	81	81	81	81	81	81	81	81	81	80	79
		40	72	72	72	72	72	72	72	72	72	72	72	72	72	72
		50	66	66	66	66	66	66	66	66	66	66	66	66	66	66
		60	61	61	61	61	61	61	61	61	61	61	61	61	61	61
		70	57	57	57	57	57	57	57	57	57	57	57	57	57	57
		80	53	53	53	53	53	53	53	53	53	53	53	53	53	53
		90	51	51	51	51	51	51	51	51	51	51	51	51	51	51
Zone 2e		0	118	118	118	118	118	118	118	118	111	104	98	93	88	
		10	107	107	107	107	107	107	107	107	107	107	104	98	93	88
		20	93	93	93	93	93	93	93	93	93	93	92	91	89	88
		30	81	81	81	81	81	81	81	81	81	81	81	81	80	79
		40	72	72	72	72	72	72	72	72	72	72	72	72	72	72
		50	66	66	66	66	66	66	66	66	66	66	66	66	66	66
		60	61	61	61	61	61	61	61	61	61	61	61	61	61	61
		70	57	57	57	57	57	57	57	57	57	57	57	57	57	57
		80	53	53	53	53	53	53	53	53	53	53	53	53	53	53
		90	51	51	51	51	51	51	51	51	51	51	51	51	51	51
Zone 2r		0	118	118	118	118	118	118	113	105	98	92	87	82	75	
		10	107	107	107	107	107	107	107	107	105	98	92	87	82	75
		20	93	93	93	93	93	93	93	93	93	93	92	87	82	75
		30	81	81	81	81	81	81	81	81	81	81	81	81	80	75
		40	72	72	72	72	72	72	72	72	72	72	72	72	72	72
		50	66	66	66	66	66	66	66	66	66	66	66	66	66	66
		60	61	61	61	61	61	61	61	61	61	61	61	61	61	61
		70	57	57	57	57	57	57	57	57	57	57	57	57	57	57
		80	53	53	53	53	53	53	53	53	53	53	53	53	53	53
		90	51	51	51	51	51	51	51	51	51	51	51	51	51	51
Zone 3		0	118	118	118	118	118	118	113	104	97	91	86	79	71	
		10	107	107	107	107	107	107	107	107	104	97	91	86	79	71
		20	93	93	93	93	93	93	93	93	93	93	91	86	79	71
		30	81	81	81	81	81	81	81	81	81	81	81	81	79	71
		40	72	72	72	72	72	72	72	72	72	72	72	72	72	71
		50	66	66	66	66	66	66	66	66	66	66	66	66	66	66
		60	61	61	61	61	61	61	61	61	61	61	61	61	61	61
		70	57	57	57	57	57	57	57	57	57	57	57	57	57	57
		80	53	53	53	53	53	53	53	53	53	53	53	53	53	53
		90	51	51	51	51	51	51	51	51	51	51	51	51	51	51

Notes:

1. Tables are based on critical rail span for load combinations as specified in chapter 2 of the ASCE 7-16 and allowable design loads per the 2015 Aluminum Design Manual.
2. Panels are assumed to be in landscape orientation with a maximum width of 42"

Max Rail Spans for SunModo SMR100 System

Roof Wind Zone		Ground Snow Load (psf)	Wind Speed (mph)													
			90	95	100	105	110	115	120	130	140	150	160	170	180	
Zone 1		0	118	118	118	118	118	116	112	104	98	92	87	82	75	
		10	107	107	107	107	107	107	107	107	104	98	92	87	82	75
		20	93	93	93	93	93	93	93	93	93	93	92	87	82	75
		30	81	81	81	81	81	81	81	81	81	81	81	81	80	75
		40	72	72	72	72	72	72	72	72	72	72	72	72	72	72
		50	66	66	66	66	66	66	66	66	66	66	66	66	66	66
		60	61	61	61	61	61	61	61	61	61	61	61	61	61	61
		70	57	57	57	57	57	57	57	57	57	57	57	57	57	57
		80	53	53	53	53	53	53	53	53	53	53	53	53	53	53
		90	51	51	51	51	51	51	51	51	51	51	51	51	51	51
Zone 2e		0	118	118	118	118	116	111	106	98	92	86	79	72	66	
		10	107	107	107	107	107	107	107	106	98	92	86	79	72	66
		20	93	93	93	93	93	93	93	93	93	92	86	79	72	66
		30	81	81	81	81	81	81	81	81	81	81	81	79	72	66
		40	72	72	72	72	72	72	72	72	72	72	72	72	72	66
		50	66	66	66	66	66	66	66	66	66	66	66	66	66	66
		60	61	61	61	61	61	61	61	61	61	61	61	61	61	61
		70	57	57	57	57	57	57	57	57	57	57	57	57	57	57
		80	53	53	53	53	53	53	53	53	53	53	53	53	53	53
		90	51	51	51	51	51	51	51	51	51	51	51	51	51	51
Zone 2r		0	118	116	111	106	102	98	94	88	81	73	67	62	57	
		10	107	107	107	106	102	98	94	88	81	73	67	62	57	
		20	93	93	93	93	93	93	93	88	81	73	67	62	57	
		30	81	81	81	81	81	81	81	81	81	73	67	62	57	
		40	72	72	72	72	72	72	72	72	72	72	67	62	57	
		50	66	66	66	66	66	66	66	66	66	66	66	66	62	57
		60	61	61	61	61	61	61	61	61	61	61	61	61	61	57
		70	57	57	57	57	57	57	57	57	57	57	57	57	57	57
		80	53	53	53	53	53	53	53	53	53	53	53	53	53	53
		90	51	51	51	51	51	51	51	51	51	51	51	51	51	51
Zone 3		0	118	117	111	105	101	97	93	86	77	69	63	58	54	
		10	107	107	107	105	101	97	93	86	77	69	63	58	54	
		20	93	93	93	93	93	93	93	86	77	69	63	58	54	
		30	81	81	81	81	81	81	81	81	77	69	63	58	54	
		40	72	72	72	72	72	72	72	72	72	69	63	58	54	
		50	66	66	66	66	66	66	66	66	66	66	63	58	54	
		60	61	61	61	61	61	61	61	61	61	61	61	58	54	
		70	57	57	57	57	57	57	57	57	57	57	57	57	54	
		80	53	53	53	53	53	53	53	53	53	53	53	53	53	
		90	51	51	51	51	51	51	51	51	51	51	51	51	51	

Notes:

1. Tables are based on critical rail span for load combinations as specified in chapter 2 of the ASCE 7-16 and allowable design loads per the 2015 Aluminum Design Manual.
2. Panels are assumed to be in landscape orientation with a maximum width of 42"

Max Rail Spans for SunModo SMR100 System

Roof Wind Zone		Ground Snow Load (psf)	Wind Speed (mph)													
			90	95	100	105	110	115	120	130	140	150	160	170	180	
Zone 1		0	118	118	118	118	118	116	112	104	98	92	87	82	76	
		10	107	107	107	107	107	107	107	107	104	98	92	87	82	76
		20	93	93	93	93	93	93	93	93	91	89	87	85	82	76
		30	81	81	81	81	81	81	81	81	81	80	78	77	75	74
		40	72	72	72	72	72	72	72	72	72	72	72	70	69	68
		50	66	66	66	66	66	66	66	66	66	66	66	66	65	64
		60	61	61	61	61	61	61	61	61	61	61	61	61	61	60
		70	57	57	57	57	57	57	57	57	57	57	57	57	57	57
		80	53	53	53	53	53	53	53	53	53	53	53	53	53	53
		90	51	51	51	51	51	51	51	51	51	51	51	51	51	51
Zone 2e		0	118	118	118	118	116	111	106	99	92	87	80	72	66	
		10	107	107	107	107	107	107	107	106	99	92	87	80	72	66
		20	93	93	93	93	93	93	93	93	91	89	87	80	72	66
		30	81	81	81	81	81	81	81	81	81	80	78	77	72	66
		40	72	72	72	72	72	72	72	72	72	72	72	70	69	66
		50	66	66	66	66	66	66	66	66	66	66	66	66	65	64
		60	61	61	61	61	61	61	61	61	61	61	61	61	61	60
		70	57	57	57	57	57	57	57	57	57	57	57	57	57	57
		80	53	53	53	53	53	53	53	53	53	53	53	53	53	53
		90	51	51	51	51	51	51	51	51	51	51	51	51	51	51
Zone 2r		0	118	117	111	106	102	98	94	88	81	73	67	62	58	
		10	107	107	107	106	102	98	94	88	81	73	67	62	58	
		20	93	93	93	93	93	93	93	93	88	81	73	67	62	58
		30	81	81	81	81	81	81	81	81	81	80	73	67	62	58
		40	72	72	72	72	72	72	72	72	72	72	72	67	62	58
		50	66	66	66	66	66	66	66	66	66	66	66	66	62	58
		60	61	61	61	61	61	61	61	61	61	61	61	61	61	58
		70	57	57	57	57	57	57	57	57	57	57	57	57	57	57
		80	53	53	53	53	53	53	53	53	53	53	53	53	53	53
		90	51	51	51	51	51	51	51	51	51	51	51	51	51	51
Zone 3		0	118	117	111	106	101	97	93	86	78	69	63	58	54	
		10	107	107	107	106	101	97	93	86	78	69	63	58	54	
		20	93	93	93	93	93	93	93	93	86	78	69	63	58	54
		30	81	81	81	81	81	81	81	81	81	78	69	63	58	54
		40	72	72	72	72	72	72	72	72	72	72	69	63	58	54
		50	66	66	66	66	66	66	66	66	66	66	66	63	58	54
		60	61	61	61	61	61	61	61	61	61	61	61	61	58	54
		70	57	57	57	57	57	57	57	57	57	57	57	57	57	54
		80	53	53	53	53	53	53	53	53	53	53	53	53	53	53
		90	51	51	51	51	51	51	51	51	51	51	51	51	51	51

Notes:

1. Tables are based on critical rail span for load combinations as specified in chapter 2 of the ASCE 7-16 and allowable design loads per the 2015 Aluminum Design Manual.
2. Panels are assumed to be in landscape orientation with a maximum width of 42"

Max Rail Spans for SunModo SMR100 System

Roof Wind Zone		Ground Snow Load (psf)	Wind Speed (mph)														
			90	95	100	105	110	115	120	130	140	150	160	170	180		
Zone 1		0	118	115	110	105	101	97	94	88	81	74	67	63	59		
		10	107	107	107	105	101	97	94	88	81	74	67	63	59		
		20	93	93	93	93	93	93	93	93	88	81	74	67	63	59	
		30	81	81	81	81	81	81	81	81	81	80	74	67	63	59	
		40	72	72	72	72	72	72	72	72	72	72	72	67	63	59	
		50	66	66	66	66	66	66	66	66	66	66	66	66	66	63	59
		60	61	61	61	61	61	61	61	61	61	61	61	61	61	61	59
		70	57	57	57	57	57	57	57	57	57	57	57	57	57	57	57
		80	53	53	53	53	53	53	53	53	53	53	53	53	53	53	53
		90	51	51	51	51	51	51	51	51	51	51	51	51	51	51	51
Zone 2e		0	116	110	104	100	95	92	88	80	71	64	59	55	51		
		10	107	107	104	100	95	92	88	80	71	64	59	55	51		
		20	93	93	93	93	93	92	88	80	71	64	59	55	51		
		30	81	81	81	81	81	81	81	80	71	64	59	55	51		
		40	72	72	72	72	72	72	72	72	71	64	59	55	51		
		50	66	66	66	66	66	66	66	66	66	64	59	55	51		
		60	61	61	61	61	61	61	61	61	61	61	59	55	51		
		70	57	57	57	57	57	57	57	57	57	57	57	57	55	51	
		80	53	53	53	53	53	53	53	53	53	53	53	53	53	51	
		90	51	51	51	51	51	51	51	51	51	51	51	51	51	51	
Zone 2r		0	102	97	93	89	85	81	76	67	61	56	52	48	45		
		10	102	97	93	89	85	81	76	67	61	56	52	48	45		
		20	93	93	93	89	85	81	76	67	61	56	52	48	45		
		30	81	81	81	81	81	81	76	67	61	56	52	48	45		
		40	72	72	72	72	72	72	72	67	61	56	52	48	45		
		50	66	66	66	66	66	66	66	66	61	56	52	48	45		
		60	61	61	61	61	61	61	61	61	61	56	52	48	45		
		70	57	57	57	57	57	57	57	57	57	56	52	48	45		
		80	53	53	53	53	53	53	53	53	53	53	53	52	48	45	
		90	51	51	51	51	51	51	51	51	51	51	51	51	48	45	
Zone 3		0	101	96	91	87	83	77	72	64	58	53	49	45	35		
		10	101	96	91	87	83	77	72	64	58	53	49	45	35		
		20	93	93	91	87	83	77	72	64	58	53	49	45	35		
		30	81	81	81	81	81	77	72	64	58	53	49	45	35		
		40	72	72	72	72	72	72	72	64	58	53	49	45	35		
		50	66	66	66	66	66	66	66	64	58	53	49	45	35		
		60	61	61	61	61	61	61	61	61	58	53	49	45	35		
		70	57	57	57	57	57	57	57	57	57	53	49	45	35		
		80	53	53	53	53	53	53	53	53	53	53	49	45	35		
		90	51	51	51	51	51	51	51	51	51	51	49	45	35		

Notes:

1. Tables are based on critical rail span for load combinations as specified in chapter 2 of the ASCE 7-16 and allowable design loads per the 2015 Aluminum Design Manual.
2. Panels are assumed to be in landscape orientation with a maximum width of 42"

Max Rail Spans for SunModo SMR100 System

Roof Wind Zone		Ground Snow Load (psf)	Wind Speed (mph)														
			90	95	100	105	110	115	120	130	140	150	160	170	180		
Zone 1		0	118	118	118	116	111	107	103	96	90	85	78	72	67		
		10	107	107	107	107	107	107	107	103	96	90	85	78	72	67	
		20	93	93	93	93	93	93	92	91	88	86	84	78	72	67	
		30	81	81	81	81	81	81	81	81	79	78	76	74	72	67	
		40	72	72	72	72	72	72	72	72	72	71	70	68	67	66	
		50	66	66	66	66	66	66	66	66	66	66	65	64	63	62	
		60	61	61	61	61	61	61	61	61	61	61	61	60	59	58	
		70	57	57	57	57	57	57	57	57	57	57	57	57	57	56	56
		80	53	53	53	53	53	53	53	53	53	53	53	53	53	53	53
		90	51	51	51	51	51	51	51	51	51	51	51	51	51	51	51
Zone 2e		0	118	118	116	110	105	101	97	90	85	76	68	63	58		
		10	107	107	107	107	105	101	97	90	85	76	68	63	58		
		20	93	93	93	93	93	92	91	88	85	76	68	63	58		
		30	81	81	81	81	81	81	81	79	78	76	68	63	58		
		40	72	72	72	72	72	72	72	72	71	70	68	63	58		
		50	66	66	66	66	66	66	66	66	66	66	65	64	63	58	
		60	61	61	61	61	61	61	61	61	61	61	61	60	59	58	
		70	57	57	57	57	57	57	57	57	57	57	57	57	57	56	56
		80	53	53	53	53	53	53	53	53	53	53	53	53	53	53	53
		90	51	51	51	51	51	51	51	51	51	51	51	51	51	51	51
Zone 2r		0	112	107	102	97	94	90	87	79	70	64	59	55	51		
		10	107	107	102	97	94	90	87	79	70	64	59	55	51		
		20	93	93	93	93	93	90	87	79	70	64	59	55	51		
		30	81	81	81	81	81	81	81	79	70	64	59	55	51		
		40	72	72	72	72	72	72	72	72	70	64	59	55	51		
		50	66	66	66	66	66	66	66	66	66	66	64	59	55	51	
		60	61	61	61	61	61	61	61	61	61	61	61	59	55	51	
		70	57	57	57	57	57	57	57	57	57	57	57	57	55	51	
		80	53	53	53	53	53	53	53	53	53	53	53	53	53	53	51
		90	51	51	51	51	51	51	51	51	51	51	51	51	51	51	51
Zone 3		0	112	106	101	96	92	89	85	75	67	61	56	52	48		
		10	107	106	101	96	92	89	85	75	67	61	56	52	48		
		20	93	93	93	93	92	89	85	75	67	61	56	52	48		
		30	81	81	81	81	81	81	81	75	67	61	56	52	48		
		40	72	72	72	72	72	72	72	72	67	61	56	52	48		
		50	66	66	66	66	66	66	66	66	66	66	61	56	52	48	
		60	61	61	61	61	61	61	61	61	61	61	61	56	52	48	
		70	57	57	57	57	57	57	57	57	57	57	57	56	52	48	
		80	53	53	53	53	53	53	53	53	53	53	53	53	52	48	
		90	51	51	51	51	51	51	51	51	51	51	51	51	51	48	

Notes:

1. Tables are based on critical rail span for load combinations as specified in chapter 2 of the ASCE 7-16 and allowable design loads per the 2015 Aluminum Design Manual.
2. Panels are assumed to be in landscape orientation with a maximum width of 42"

Max Rail Spans for SunModo SMR100 System

Roof Wind Zone		Ground Snow Load (psf)	Wind Speed (mph)													
			90	95	100	105	110	115	120	130	140	150	160	170	180	
Zone 1		0	111	106	101	97	93	90	87	79	71	65	61	57	53	
		10	107	106	101	97	93	90	87	79	71	65	61	57	53	
		20	93	93	93	93	93	90	87	79	71	65	61	57	53	
		30	81	81	81	81	81	81	81	79	71	65	61	57	53	
		40	72	72	72	72	72	72	72	72	71	65	61	57	53	
		50	66	66	66	66	66	66	66	66	66	65	61	57	53	
		60	61	61	61	61	61	61	61	61	61	61	60	57	53	
		70	57	57	57	57	57	57	57	57	57	57	57	57	56	53
		80	53	53	53	53	53	53	53	53	53	53	53	53	53	53
		90	51	51	51	51	51	51	51	51	51	51	51	51	51	51
Zone 2e		0	105	100	95	91	87	84	78	69	62	57	52	49	45	
		10	105	100	95	91	87	84	78	69	62	57	52	49	45	
		20	93	93	93	91	87	84	78	69	62	57	52	49	45	
		30	81	81	81	81	81	81	78	69	62	57	52	49	45	
		40	72	72	72	72	72	72	72	69	62	57	52	49	45	
		50	66	66	66	66	66	66	66	66	62	57	52	49	45	
		60	61	61	61	61	61	61	61	61	61	57	52	49	45	
		70	57	57	57	57	57	57	57	57	57	57	57	52	49	45
		80	53	53	53	53	53	53	53	53	53	53	53	52	49	45
		90	51	51	51	51	51	51	51	51	51	51	51	51	49	45
Zone 2r		0	93	89	85	80	74	70	66	60	54	50	46	43	40	
		10	93	89	85	80	74	70	66	60	54	50	46	43	40	
		20	93	89	85	80	74	70	66	60	54	50	46	43	40	
		30	81	81	81	80	74	70	66	60	54	50	46	43	40	
		40	72	72	72	72	72	70	66	60	54	50	46	43	40	
		50	66	66	66	66	66	66	66	60	54	50	46	43	40	
		60	61	61	61	61	61	61	61	60	54	50	46	43	40	
		70	57	57	57	57	57	57	57	57	54	50	46	43	40	
		80	53	53	53	53	53	53	53	53	53	50	46	43	40	
		90	51	51	51	51	51	51	51	51	51	50	46	43	40	
Zone 3		0	92	88	83	76	71	66	62	56	51	47	43	33	31	
		10	92	88	83	76	71	66	62	56	51	47	43	33	31	
		20	92	88	83	76	71	66	62	56	51	47	43	33	31	
		30	81	81	81	76	71	66	62	56	51	47	43	33	31	
		40	72	72	72	72	71	66	62	56	51	47	43	33	31	
		50	66	66	66	66	66	66	62	56	51	47	43	33	31	
		60	61	61	61	61	61	61	61	56	51	47	43	33	31	
		70	57	57	57	57	57	57	57	56	51	47	43	33	31	
		80	53	53	53	53	53	53	53	53	51	47	43	33	31	
		90	51	51	51	51	51	51	51	51	51	47	43	33	31	

Notes:

1. Tables are based on critical rail span for load combinations as specified in chapter 2 of the ASCE 7-16 and allowable design loads per the 2015 Aluminum Design Manual.
2. Panels are assumed to be in landscape orientation with a maximum width of 42"

Max Rail Spans for SunModo SMR100 System

Table 121a		Mean Roof Height: $15 < h \leq 30$ ft						Panel Orientation: Landscape		North/South Support $X_E = 1$				
		Roof Angle: $0 < \theta \leq 7$ degrees						Exposure Category: B		Roof Type: Gable				
Roof Wind Zone	Ground Snow Load (psf)	Wind Speed (mph)												
		90	95	100	105	110	115	120	130	140	150	160	170	180
Zone 1'	0	118	118	118	118	118	118	118	118	118	118	117	111	105
	10	108	108	108	108	108	108	108	108	108	108	108	108	105
	20	88	88	88	88	88	88	88	88	88	88	88	88	88
	30	86	86	86	86	86	86	86	86	86	86	86	86	86
	40	76	76	76	76	76	76	76	76	76	76	76	76	76
	50	69	69	69	69	69	69	69	69	69	69	69	69	69
	60	63	63	63	63	63	63	63	63	63	63	63	63	63
	70	59	59	59	59	59	59	59	59	59	59	59	59	59
	80	55	55	55	55	55	55	55	55	55	55	55	55	55
90	52	52	52	52	52	52	52	52	52	52	52	52	52	
Zone 1	0	118	118	118	118	118	118	116	108	101	96	90	83	77
	10	108	108	108	108	108	108	108	108	101	96	90	83	77
	20	88	88	88	88	88	88	88	88	88	88	88	83	77
	30	86	86	86	86	86	86	86	86	86	86	86	83	77
	40	76	76	76	76	76	76	76	76	76	76	76	76	76
	50	69	69	69	69	69	69	69	69	69	69	69	69	69
	60	63	63	63	63	63	63	63	63	63	63	63	63	63
	70	59	59	59	59	59	59	59	59	59	59	59	59	59
	80	55	55	55	55	55	55	55	55	55	55	55	55	55
90	52	52	52	52	52	52	52	52	52	52	52	52	52	
Zone 2	0	118	118	118	114	110	105	102	95	88	80	74	68	64
	10	108	108	108	108	108	105	102	95	88	80	74	68	64
	20	88	88	88	88	88	88	88	88	88	80	74	68	64
	30	86	86	86	86	86	86	86	86	86	80	74	68	64
	40	76	76	76	76	76	76	76	76	76	76	74	68	64
	50	69	69	69	69	69	69	69	69	69	69	69	68	64
	60	63	63	63	63	63	63	63	63	63	63	63	63	63
	70	59	59	59	59	59	59	59	59	59	59	59	59	59
	80	55	55	55	55	55	55	55	55	55	55	55	55	55
90	52	52	52	52	52	52	52	52	52	52	52	52	52	
Zone 3	0	114	109	104	100	96	92	87	78	71	66	61	57	54
	10	108	108	104	100	96	92	87	78	71	66	61	57	54
	20	88	88	88	88	88	88	87	78	71	66	61	57	54
	30	86	86	86	86	86	86	86	78	71	66	61	57	54
	40	76	76	76	76	76	76	76	76	71	66	61	57	54
	50	69	69	69	69	69	69	69	69	69	66	61	57	54
	60	63	63	63	63	63	63	63	63	63	63	61	57	54
	70	59	59	59	59	59	59	59	59	59	59	59	57	54
	80	55	55	55	55	55	55	55	55	55	55	55	55	54
90	52	52	52	52	52	52	52	52	52	52	52	52	52	

Notes:

1. Tables are based on critical rail span for load combinations as specified in chapter 2 of the ASCE 7-16 and allowable design loads per the 2015 Aluminum Design Manual.
2. Panels are assumed to be in landscape orientation with a maximum width of 42"

Max Rail Spans for SunModo SMR100 System

Roof Wind Zone		Ground Snow Load (psf)	Wind Speed (mph)													
			90	95	100	105	110	115	120	130	140	150	160	170	180	
Zone 1'		0	118	118	118	118	118	118	118	117	110	103	98	93	88	
		10	108	108	108	108	108	108	108	108	108	108	103	98	93	88
		20	88	88	88	88	88	88	88	88	88	88	88	88	88	88
		30	86	86	86	86	86	86	86	86	86	86	86	86	86	86
		40	76	76	76	76	76	76	76	76	76	76	76	76	76	76
		50	69	69	69	69	69	69	69	69	69	69	69	69	69	69
		60	63	63	63	63	63	63	63	63	63	63	63	63	63	63
		70	59	59	59	59	59	59	59	59	59	59	59	59	59	59
		80	55	55	55	55	55	55	55	55	55	55	55	55	55	55
		90	52	52	52	52	52	52	52	52	52	52	52	52	52	52
Zone 1		0	118	118	114	109	105	101	97	91	82	75	69	65	61	
		10	108	108	108	108	105	101	97	91	82	75	69	65	61	
		20	88	88	88	88	88	88	88	88	82	75	69	65	61	
		30	86	86	86	86	86	86	86	86	82	75	69	65	61	
		40	76	76	76	76	76	76	76	76	76	75	69	65	61	
		50	69	69	69	69	69	69	69	69	69	69	69	65	61	
		60	63	63	63	63	63	63	63	63	63	63	63	63	61	
		70	59	59	59	59	59	59	59	59	59	59	59	59	59	
		80	55	55	55	55	55	55	55	55	55	55	55	55	55	
		90	52	52	52	52	52	52	52	52	52	52	52	52	52	
Zone 2		0	109	104	100	96	92	87	83	74	68	63	59	55	52	
		10	108	104	100	96	92	87	83	74	68	63	59	55	52	
		20	88	88	88	88	88	87	83	74	68	63	59	55	52	
		30	86	86	86	86	86	86	83	74	68	63	59	55	52	
		40	76	76	76	76	76	76	76	74	68	63	59	55	52	
		50	69	69	69	69	69	69	69	69	68	63	59	55	52	
		60	63	63	63	63	63	63	63	63	63	63	59	55	52	
		70	59	59	59	59	59	59	59	59	59	59	59	55	52	
		80	55	55	55	55	55	55	55	55	55	55	55	55	52	
		90	52	52	52	52	52	52	52	52	52	52	52	52	52	
Zone 3		0	95	91	85	80	75	70	67	62	57	53	50	47	44	
		10	95	91	85	80	75	70	67	62	57	53	50	47	44	
		20	88	88	85	80	75	70	67	62	57	53	50	47	44	
		30	86	86	85	80	75	70	67	62	57	53	50	47	44	
		40	76	76	76	76	75	70	67	62	57	53	50	47	44	
		50	69	69	69	69	69	69	67	62	57	53	50	47	44	
		60	63	63	63	63	63	63	63	62	57	53	50	47	44	
		70	59	59	59	59	59	59	59	59	57	53	50	47	44	
		80	55	55	55	55	55	55	55	55	55	53	50	47	44	
		90	52	52	52	52	52	52	52	52	52	52	50	47	44	

Notes:

1. Tables are based on critical rail span for load combinations as specified in chapter 2 of the ASCE 7-16 and allowable design loads per the 2015 Aluminum Design Manual.
2. Panels are assumed to be in landscape orientation with a maximum width of 42"

Max Rail Spans for SunModo SMR100 System

Roof Wind Zone		Ground Snow Load (psf)	Wind Speed (mph)													
			90	95	100	105	110	115	120	130	140	150	160	170	180	
Zone 1'		0	118	118	118	118	118	118	118	118	113	107	101	96	92	
		10	108	108	108	108	108	108	108	108	108	108	107	101	96	92
		20	88	88	88	88	88	88	88	88	88	88	88	88	87	86
		30	86	86	86	86	86	86	86	86	86	86	86	86	86	85
		40	76	76	76	76	76	76	76	76	76	76	76	76	76	76
		50	69	69	69	69	69	69	69	69	69	69	69	69	69	69
		60	63	63	63	63	63	63	63	63	63	63	63	63	63	63
		70	59	59	59	59	59	59	59	59	59	59	59	59	59	59
		80	55	55	55	55	55	55	55	55	55	55	55	55	55	55
		90	52	52	52	52	52	52	52	52	52	52	52	52	52	52
Zone 1		0	118	118	118	113	108	104	100	94	86	79	72	67	63	
		10	108	108	108	108	108	104	100	94	86	79	72	67	63	
		20	88	88	88	88	88	88	88	88	86	79	72	67	63	
		30	86	86	86	86	86	86	86	86	86	79	72	67	63	
		40	76	76	76	76	76	76	76	76	76	76	72	67	63	
		50	69	69	69	69	69	69	69	69	69	69	69	69	67	63
		60	63	63	63	63	63	63	63	63	63	63	63	63	63	63
		70	59	59	59	59	59	59	59	59	59	59	59	59	59	59
		80	55	55	55	55	55	55	55	55	55	55	55	55	55	55
		90	52	52	52	52	52	52	52	52	52	52	52	52	52	52
Zone 2		0	113	108	103	99	95	91	86	78	71	65	61	57	54	
		10	108	108	103	99	95	91	86	78	71	65	61	57	54	
		20	88	88	88	88	88	88	86	78	71	65	61	57	54	
		30	86	86	86	86	86	86	86	78	71	65	61	57	54	
		40	76	76	76	76	76	76	76	76	71	65	61	57	54	
		50	69	69	69	69	69	69	69	69	69	65	61	57	54	
		60	63	63	63	63	63	63	63	63	63	63	61	57	54	
		70	59	59	59	59	59	59	59	59	59	59	59	57	54	
		80	55	55	55	55	55	55	55	55	55	55	55	55	54	
		90	52	52	52	52	52	52	52	52	52	52	52	52	52	
Zone 3		0	98	94	89	83	78	74	70	64	59	55	51	48	45	
		10	98	94	89	83	78	74	70	64	59	55	51	48	45	
		20	88	88	88	83	78	74	70	64	59	55	51	48	45	
		30	86	86	86	83	78	74	70	64	59	55	51	48	45	
		40	76	76	76	76	76	74	70	64	59	55	51	48	45	
		50	69	69	69	69	69	69	69	64	59	55	51	48	45	
		60	63	63	63	63	63	63	63	63	59	55	51	48	45	
		70	59	59	59	59	59	59	59	59	59	55	51	48	45	
		80	55	55	55	55	55	55	55	55	55	55	51	48	45	
		90	52	52	52	52	52	52	52	52	52	52	51	48	45	

Notes:

1. Tables are based on critical rail span for load combinations as specified in chapter 2 of the ASCE 7-16 and allowable design loads per the 2015 Aluminum Design Manual.
2. Panels are assumed to be in landscape orientation with a maximum width of 42"

Max Rail Spans for SunModo SMR100 System

Roof Wind Zone		Ground Snow Load (psf)	Wind Speed (mph)													
			90	95	100	105	110	115	120	130	140	150	160	170	180	
Zone 1'		0	118	118	118	118	117	112	108	101	95	90	83	77	72	
		10	108	108	108	108	108	108	108	101	95	90	83	77	72	
		20	88	88	88	88	88	88	88	88	88	88	83	77	72	
		30	86	86	86	86	86	86	86	86	86	86	83	77	72	
		40	76	76	76	76	76	76	76	76	76	76	76	76	72	
		50	69	69	69	69	69	69	69	69	69	69	69	69	69	69
		60	63	63	63	63	63	63	63	63	63	63	63	63	63	63
		70	59	59	59	59	59	59	59	59	59	59	59	59	59	59
		80	55	55	55	55	55	55	55	55	55	55	55	55	55	55
		90	52	52	52	52	52	52	52	52	52	52	52	52	52	52
Zone 1		0	108	103	98	94	91	85	81	73	67	62	58	54	51	
		10	108	103	98	94	91	85	81	73	67	62	58	54	51	
		20	88	88	88	88	88	85	81	73	67	62	58	54	51	
		30	86	86	86	86	86	85	81	73	67	62	58	54	51	
		40	76	76	76	76	76	76	76	73	67	62	58	54	51	
		50	69	69	69	69	69	69	69	69	67	62	58	54	51	
		60	63	63	63	63	63	63	63	63	63	62	58	54	51	
		70	59	59	59	59	59	59	59	59	59	59	58	54	51	
		80	55	55	55	55	55	55	55	55	55	55	55	54	51	
		90	52	52	52	52	52	52	52	52	52	52	52	52	51	
Zone 2		0	95	90	84	79	74	70	67	61	57	53	49	46	44	
		10	95	90	84	79	74	70	67	61	57	53	49	46	44	
		20	88	88	84	79	74	70	67	61	57	53	49	46	44	
		30	86	86	84	79	74	70	67	61	57	53	49	46	44	
		40	76	76	76	76	74	70	67	61	57	53	49	46	44	
		50	69	69	69	69	69	69	67	61	57	53	49	46	44	
		60	63	63	63	63	63	63	63	61	57	53	49	46	44	
		70	59	59	59	59	59	59	59	59	57	53	49	46	44	
		80	55	55	55	55	55	55	55	55	55	53	49	46	44	
		90	52	52	52	52	52	52	52	52	52	52	49	46	44	
Zone 3		0	78	73	68	65	61	59	56	52	48	44	42	39	37	
		10	78	73	68	65	61	59	56	52	48	44	42	39	37	
		20	78	73	68	65	61	59	56	52	48	44	42	39	37	
		30	78	73	68	65	61	59	56	52	48	44	42	39	37	
		40	76	73	68	65	61	59	56	52	48	44	42	39	37	
		50	69	69	68	65	61	59	56	52	48	44	42	39	37	
		60	63	63	63	63	61	59	56	52	48	44	42	39	37	
		70	59	59	59	59	59	59	56	52	48	44	42	39	37	
		80	55	55	55	55	55	55	55	52	48	44	42	39	37	
		90	52	52	52	52	52	52	52	52	48	44	42	39	37	

Notes:

1. Tables are based on critical rail span for load combinations as specified in chapter 2 of the ASCE 7-16 and allowable design loads per the 2015 Aluminum Design Manual.
2. Panels are assumed to be in landscape orientation with a maximum width of 42"

Max Rail Spans for SunModo SMR100 System

Roof Wind Zone		Ground Snow Load (psf)	Wind Speed (mph)														
			90	95	100	105	110	115	120	130	140	150	160	170	180		
Zone 1'		0	118	118	118	118	118	118	118	118	112	105	99	94	89	83	
		10	108	108	108	108	108	108	108	108	108	105	99	94	89	83	
		20	88	88	88	88	88	88	88	88	88	88	88	87	86	83	
		30	86	86	86	86	86	86	86	86	86	86	86	86	86	84	83
		40	76	76	76	76	76	76	76	76	76	76	76	76	76	76	76
		50	69	69	69	69	69	69	69	69	69	69	69	69	69	69	69
		60	63	63	63	63	63	63	63	63	63	63	63	63	63	63	63
		70	59	59	59	59	59	59	59	59	59	59	59	59	59	59	59
		80	55	55	55	55	55	55	55	55	55	55	55	55	55	55	55
		90	52	52	52	52	52	52	52	52	52	52	52	52	52	52	52
Zone 1		0	118	114	109	105	100	97	93	85	77	71	65	61	58		
		10	108	108	108	105	100	97	93	85	77	71	65	61	58		
		20	88	88	88	88	88	88	88	88	85	77	71	65	61	58	
		30	86	86	86	86	86	86	86	86	85	77	71	65	61	58	
		40	76	76	76	76	76	76	76	76	76	76	71	65	61	58	
		50	69	69	69	69	69	69	69	69	69	69	69	65	61	58	
		60	63	63	63	63	63	63	63	63	63	63	63	63	63	61	58
		70	59	59	59	59	59	59	59	59	59	59	59	59	59	59	58
		80	55	55	55	55	55	55	55	55	55	55	55	55	55	55	55
		90	52	52	52	52	52	52	52	52	52	52	52	52	52	52	52
Zone 2		0	105	100	96	92	87	82	77	70	64	60	56	52	49		
		10	105	100	96	92	87	82	77	70	64	60	56	52	49		
		20	88	88	88	88	87	82	77	70	64	60	56	52	49		
		30	86	86	86	86	86	82	77	70	64	60	56	52	49		
		40	76	76	76	76	76	76	76	70	64	60	56	52	49		
		50	69	69	69	69	69	69	69	69	64	60	56	52	49		
		60	63	63	63	63	63	63	63	63	63	60	56	52	49		
		70	59	59	59	59	59	59	59	59	59	59	56	52	49		
		80	55	55	55	55	55	55	55	55	55	55	55	55	52	49	
		90	52	52	52	52	52	52	52	52	52	52	52	52	52	49	
Zone 3		0	91	85	79	74	70	66	64	58	54	50	47	44	42		
		10	91	85	79	74	70	66	64	58	54	50	47	44	42		
		20	88	85	79	74	70	66	64	58	54	50	47	44	42		
		30	86	85	79	74	70	66	64	58	54	50	47	44	42		
		40	76	76	76	74	70	66	64	58	54	50	47	44	42		
		50	69	69	69	69	69	66	64	58	54	50	47	44	42		
		60	63	63	63	63	63	63	63	58	54	50	47	44	42		
		70	59	59	59	59	59	59	59	58	54	50	47	44	42		
		80	55	55	55	55	55	55	55	55	54	50	47	44	42		
		90	52	52	52	52	52	52	52	52	52	50	47	44	42		

Notes:

1. Tables are based on critical rail span for load combinations as specified in chapter 2 of the ASCE 7-16 and allowable design loads per the 2015 Aluminum Design Manual.
2. Panels are assumed to be in landscape orientation with a maximum width of 42"

Max Rail Spans for SunModo SMR100 System

Roof Wind Zone		Ground Snow Load (psf)	Wind Speed (mph)													
			90	95	100	105	110	115	120	130	140	150	160	170	180	
Zone 1'		0	118	118	118	113	109	105	101	95	88	81	75	70	65	
		10	108	108	108	108	108	105	101	95	88	81	75	70	65	
		20	88	88	88	88	88	88	88	88	88	81	75	70	65	
		30	86	86	86	86	86	86	86	86	86	81	75	70	65	
		40	76	76	76	76	76	76	76	76	76	76	75	70	65	
		50	69	69	69	69	69	69	69	69	69	69	69	69	69	65
		60	63	63	63	63	63	63	63	63	63	63	63	63	63	63
		70	59	59	59	59	59	59	59	59	59	59	59	59	59	59
		80	55	55	55	55	55	55	55	55	55	55	55	55	55	55
		90	52	52	52	52	52	52	52	52	52	52	52	52	52	52
Zone 1		0	100	96	92	86	81	76	72	66	61	57	53	50	47	
		10	100	96	92	86	81	76	72	66	61	57	53	50	47	
		20	88	88	88	86	81	76	72	66	61	57	53	50	47	
		30	86	86	86	86	81	76	72	66	61	57	53	50	47	
		40	76	76	76	76	76	76	72	66	61	57	53	50	47	
		50	69	69	69	69	69	69	69	66	61	57	53	50	47	
		60	63	63	63	63	63	63	63	63	61	57	53	50	47	
		70	59	59	59	59	59	59	59	59	59	57	53	50	47	
		80	55	55	55	55	55	55	55	55	55	55	53	50	47	
		90	52	52	52	52	52	52	52	52	52	52	52	50	47	
Zone 2		0	86	81	75	71	67	64	61	56	52	48	45	43	40	
		10	86	81	75	71	67	64	61	56	52	48	45	43	40	
		20	86	81	75	71	67	64	61	56	52	48	45	43	40	
		30	86	81	75	71	67	64	61	56	52	48	45	43	40	
		40	76	76	75	71	67	64	61	56	52	48	45	43	40	
		50	69	69	69	69	67	64	61	56	52	48	45	43	40	
		60	63	63	63	63	63	63	61	56	52	48	45	43	40	
		70	59	59	59	59	59	59	59	56	52	48	45	43	40	
		80	55	55	55	55	55	55	55	55	52	48	45	43	40	
		90	52	52	52	52	52	52	52	52	52	48	45	43	40	
Zone 3		0	70	66	62	59	56	54	51	47	44	41	38	36	34	
		10	70	66	62	59	56	54	51	47	44	41	38	36	34	
		20	70	66	62	59	56	54	51	47	44	41	38	36	34	
		30	70	66	62	59	56	54	51	47	44	41	38	36	34	
		40	70	66	62	59	56	54	51	47	44	41	38	36	34	
		50	69	66	62	59	56	54	51	47	44	41	38	36	34	
		60	63	63	62	59	56	54	51	47	44	41	38	36	34	
		70	59	59	59	59	56	54	51	47	44	41	38	36	34	
		80	55	55	55	55	55	54	51	47	44	41	38	36	34	
		90	52	52	52	52	52	52	51	47	44	41	38	36	34	

Notes:

1. Tables are based on critical rail span for load combinations as specified in chapter 2 of the ASCE 7-16 and allowable design loads per the 2015 Aluminum Design Manual.
2. Panels are assumed to be in landscape orientation with a maximum width of 42"

Max Rail Spans for SunModo SMR100 System

Roof Wind Zone		Ground Snow Load (psf)	Wind Speed (mph)													
			90	95	100	105	110	115	120	130	140	150	160	170	180	
Zones 1 & 2e		0	118	118	118	118	114	109	106	99	93	87	81	75	70	
		10	100	100	100	100	100	100	100	99	93	87	81	75	70	
		20	79	79	79	79	79	79	79	79	79	79	79	79	75	70
		30	79	79	79	79	79	79	79	79	79	79	79	79	75	70
		40	70	70	70	70	70	70	70	70	70	70	70	70	70	70
		50	63	63	63	63	63	63	63	63	63	63	63	63	63	63
		60	58	58	58	58	58	58	58	58	58	58	58	58	58	58
		70	54	54	54	54	54	54	54	54	54	54	54	54	54	54
		80	51	51	51	51	51	51	51	51	51	51	51	51	51	51
		90	48	48	48	48	48	48	48	48	48	48	48	48	48	48
Zones 2h, 2r, & 3e		0	118	114	108	103	99	95	92	83	75	68	64	60	56	
		10	100	100	100	100	99	95	92	83	75	68	64	60	56	
		20	79	79	79	79	79	79	79	79	75	68	64	60	56	
		30	79	79	79	79	79	79	79	79	75	68	64	60	56	
		40	70	70	70	70	70	70	70	70	70	68	64	60	56	
		50	63	63	63	63	63	63	63	63	63	63	63	63	60	56
		60	58	58	58	58	58	58	58	58	58	58	58	58	58	56
		70	54	54	54	54	54	54	54	54	54	54	54	54	54	54
		80	51	51	51	51	51	51	51	51	51	51	51	51	51	51
		90	48	48	48	48	48	48	48	48	48	48	48	48	48	48
Zone 3r		0	110	104	100	95	92	87	82	73	66	62	58	54	51	
		10	100	100	100	95	92	87	82	73	66	62	58	54	51	
		20	79	79	79	79	79	79	79	73	66	62	58	54	51	
		30	79	79	79	79	79	79	79	73	66	62	58	54	51	
		40	70	70	70	70	70	70	70	70	66	62	58	54	51	
		50	63	63	63	63	63	63	63	63	63	62	58	54	51	
		60	58	58	58	58	58	58	58	58	58	58	58	54	51	
		70	54	54	54	54	54	54	54	54	54	54	54	54	51	
		80	51	51	51	51	51	51	51	51	51	51	51	51	51	
		90	48	48	48	48	48	48	48	48	48	48	48	48	48	

Notes:

1. Tables are based on critical rail span for load combinations as specified in chapter 2 of the ASCE 7-16 and allowable design loads per the 2015 Aluminum Design Manual.
2. Panels are assumed to be in landscape orientation with a maximum width of 42"

Max Rail Spans for SunModo SMR100 System

Roof Wind Zone		Ground Snow Load (psf)	Wind Speed (mph)													
			90	95	100	105	110	115	120	130	140	150	160	170	180	
Zones 1 & 2e		0	113	108	104	100	96	93	90	81	74	68	64	60	56	
		10	100	100	100	100	96	93	90	81	74	68	64	60	56	
		20	79	79	79	79	79	79	79	79	79	74	68	64	60	56
		30	79	79	79	79	79	79	79	79	79	74	68	64	60	56
		40	70	70	70	70	70	70	70	70	70	70	68	64	60	56
		50	63	63	63	63	63	63	63	63	63	63	63	63	60	56
		60	58	58	58	58	58	58	58	58	58	58	58	58	58	56
		70	54	54	54	54	54	54	54	54	54	54	54	54	54	54
		80	51	51	51	51	51	51	51	51	51	51	51	51	51	51
		90	48	48	48	48	48	48	48	48	48	48	48	48	48	48
Zones 2h, 2r, & 3e		0	99	94	90	85	79	74	70	64	59	55	51	48	45	
		10	99	94	90	85	79	74	70	64	59	55	51	48	45	
		20	79	79	79	79	79	74	70	64	59	55	51	48	45	
		30	79	79	79	79	79	74	70	64	59	55	51	48	45	
		40	70	70	70	70	70	70	70	64	59	55	51	48	45	
		50	63	63	63	63	63	63	63	63	59	55	51	48	45	
		60	58	58	58	58	58	58	58	58	58	55	51	48	45	
		70	54	54	54	54	54	54	54	54	54	54	51	48	45	
		80	51	51	51	51	51	51	51	51	51	51	51	48	45	
		90	48	48	48	48	48	48	48	48	48	48	48	48	48	45
Zone 3r		0	91	86	80	74	70	66	63	58	54	50	47	44	41	
		10	91	86	80	74	70	66	63	58	54	50	47	44	41	
		20	79	79	79	74	70	66	63	58	54	50	47	44	41	
		30	79	79	79	74	70	66	63	58	54	50	47	44	41	
		40	70	70	70	70	70	66	63	58	54	50	47	44	41	
		50	63	63	63	63	63	63	63	58	54	50	47	44	41	
		60	58	58	58	58	58	58	58	58	54	50	47	44	41	
		70	54	54	54	54	54	54	54	54	54	50	47	44	41	
		80	51	51	51	51	51	51	51	51	51	50	47	44	41	
		90	48	48	48	48	48	48	48	48	48	48	47	44	41	

Notes:

1. Tables are based on critical rail span for load combinations as specified in chapter 2 of the ASCE 7-16 and allowable design loads per the 2015 Aluminum Design Manual.
2. Panels are assumed to be in landscape orientation with a maximum width of 42"

Max Rail Spans for SunModo SMR100 System

Roof Wind Zone		Ground Snow Load (psf)	Wind Speed (mph)													
			90	95	100	105	110	115	120	130	140	150	160	170	180	
Zones 1 & 2e		0	117	112	107	103	99	95	92	85	77	71	66	62	58	
		10	100	100	100	100	99	95	92	85	77	71	66	62	58	
		20	79	79	79	79	79	79	79	79	79	77	71	66	62	58
		30	79	79	79	79	79	79	79	79	79	77	71	66	62	58
		40	70	70	70	70	70	70	70	70	70	70	70	66	62	58
		50	63	63	63	63	63	63	63	63	63	63	63	63	62	58
		60	58	58	58	58	58	58	58	58	58	58	58	58	58	58
		70	54	54	54	54	54	54	54	54	54	54	54	54	54	54
		80	51	51	51	51	51	51	51	51	51	51	51	51	51	51
		90	48	48	48	48	48	48	48	48	48	48	48	48	48	48
Zones 2h, 2r, & 3e		0	102	97	93	89	83	78	73	66	61	57	53	50	47	
		10	100	97	93	89	83	78	73	66	61	57	53	50	47	
		20	79	79	79	79	79	78	73	66	61	57	53	50	47	
		30	79	79	79	79	79	78	73	66	61	57	53	50	47	
		40	70	70	70	70	70	70	70	66	61	57	53	50	47	
		50	63	63	63	63	63	63	63	63	61	57	53	50	47	
		60	58	58	58	58	58	58	58	58	58	57	53	50	47	
		70	54	54	54	54	54	54	54	54	54	54	53	50	47	
		80	51	51	51	51	51	51	51	51	51	51	51	51	50	47
		90	48	48	48	48	48	48	48	48	48	48	48	48	48	47
Zone 3r		0	94	90	84	78	73	69	66	60	56	52	48	45	43	
		10	94	90	84	78	73	69	66	60	56	52	48	45	43	
		20	79	79	79	78	73	69	66	60	56	52	48	45	43	
		30	79	79	79	78	73	69	66	60	56	52	48	45	43	
		40	70	70	70	70	70	69	66	60	56	52	48	45	43	
		50	63	63	63	63	63	63	63	60	56	52	48	45	43	
		60	58	58	58	58	58	58	58	58	56	52	48	45	43	
		70	54	54	54	54	54	54	54	54	54	52	48	45	43	
		80	51	51	51	51	51	51	51	51	51	51	48	45	43	
		90	48	48	48	48	48	48	48	48	48	48	48	45	43	

Notes:

1. Tables are based on critical rail span for load combinations as specified in chapter 2 of the ASCE 7-16 and allowable design loads per the 2015 Aluminum Design Manual.
2. Panels are assumed to be in landscape orientation with a maximum width of 42"

Max Rail Spans for SunModo SMR100 System

Roof Wind Zone		Ground Snow Load (psf)	Wind Speed (mph)												
			90	95	100	105	110	115	120	130	140	150	160	170	180
Zones 1 & 2e		0	99	94	91	86	81	77	73	66	61	57	53	50	47
		10	99	94	91	86	81	77	73	66	61	57	53	50	47
		20	79	79	79	79	79	77	73	66	61	57	53	50	47
		30	79	79	79	79	79	77	73	66	61	57	53	50	47
		40	70	70	70	70	70	70	70	66	61	57	53	50	47
		50	63	63	63	63	63	63	63	63	61	57	53	50	47
		60	58	58	58	58	58	58	58	58	58	57	53	50	47
		70	54	54	54	54	54	54	54	54	54	54	53	50	47
		80	51	51	51	51	51	51	51	51	51	51	51	50	47
		90	48	48	48	48	48	48	48	48	48	48	48	48	47
Zones 2h, 2r, & 3e		0	83	77	71	67	64	61	58	54	50	46	43	40	38
		10	83	77	71	67	64	61	58	54	50	46	43	40	38
		20	79	77	71	67	64	61	58	54	50	46	43	40	38
		30	79	77	71	67	64	61	58	54	50	46	43	40	38
		40	70	70	70	67	64	61	58	54	50	46	43	40	38
		50	63	63	63	63	63	61	58	54	50	46	43	40	38
		60	58	58	58	58	58	58	58	54	50	46	43	40	38
		70	54	54	54	54	54	54	54	54	50	46	43	40	38
		80	51	51	51	51	51	51	51	51	50	46	43	40	38
		90	48	48	48	48	48	48	48	48	48	46	43	40	38
Zone 3r		0	73	68	64	61	58	55	53	49	45	42	39	37	35
		10	73	68	64	61	58	55	53	49	45	42	39	37	35
		20	73	68	64	61	58	55	53	49	45	42	39	37	35
		30	73	68	64	61	58	55	53	49	45	42	39	37	35
		40	70	68	64	61	58	55	53	49	45	42	39	37	35
		50	63	63	63	61	58	55	53	49	45	42	39	37	35
		60	58	58	58	58	58	55	53	49	45	42	39	37	35
		70	54	54	54	54	54	54	53	49	45	42	39	37	35
		80	51	51	51	51	51	51	51	49	45	42	39	37	35
		90	48	48	48	48	48	48	48	48	45	42	39	37	35

Notes:

1. Tables are based on critical rail span for load combinations as specified in chapter 2 of the ASCE 7-16 and allowable design loads per the 2015 Aluminum Design Manual.
2. Panels are assumed to be in landscape orientation with a maximum width of 42"

Max Rail Spans for SunModo SMR100 System

Roof Wind Zone		Ground Snow Load (psf)	Wind Speed (mph)													
			90	95	100	105	110	115	120	130	140	150	160	170	180	
Zones 1 & 2e		0	109	104	100	96	92	89	84	76	70	65	60	57	53	
		10	100	100	100	96	92	89	84	76	70	65	60	57	53	
		20	79	79	79	79	79	79	79	79	76	70	65	60	57	53
		30	79	79	79	79	79	79	79	79	76	70	65	60	57	53
		40	70	70	70	70	70	70	70	70	70	70	65	60	57	53
		50	63	63	63	63	63	63	63	63	63	63	63	60	57	53
		60	58	58	58	58	58	58	58	58	58	58	58	58	57	53
		70	54	54	54	54	54	54	54	54	54	54	54	54	54	53
		80	51	51	51	51	51	51	51	51	51	51	51	51	51	51
		90	48	48	48	48	48	48	48	48	48	48	48	48	48	48
Zones 2h, 2r, & 3e		0	95	90	85	79	74	69	66	61	56	52	49	46	43	
		10	95	90	85	79	74	69	66	61	56	52	49	46	43	
		20	79	79	79	79	74	69	66	61	56	52	49	46	43	
		30	79	79	79	79	74	69	66	61	56	52	49	46	43	
		40	70	70	70	70	70	69	66	61	56	52	49	46	43	
		50	63	63	63	63	63	63	63	61	56	52	49	46	43	
		60	58	58	58	58	58	58	58	58	56	52	49	46	43	
		70	54	54	54	54	54	54	54	54	54	52	49	46	43	
		80	51	51	51	51	51	51	51	51	51	51	49	46	43	
		90	48	48	48	48	48	48	48	48	48	48	48	48	46	43
Zone 3r		0	86	80	74	69	66	63	60	55	51	47	44	42	39	
		10	86	80	74	69	66	63	60	55	51	47	44	42	39	
		20	79	79	74	69	66	63	60	55	51	47	44	42	39	
		30	79	79	74	69	66	63	60	55	51	47	44	42	39	
		40	70	70	70	69	66	63	60	55	51	47	44	42	39	
		50	63	63	63	63	63	63	60	55	51	47	44	42	39	
		60	58	58	58	58	58	58	58	55	51	47	44	42	39	
		70	54	54	54	54	54	54	54	54	51	47	44	42	39	
		80	51	51	51	51	51	51	51	51	51	47	44	42	39	
		90	48	48	48	48	48	48	48	48	48	47	44	42	39	

Notes:

1. Tables are based on critical rail span for load combinations as specified in chapter 2 of the ASCE 7-16 and allowable design loads per the 2015 Aluminum Design Manual.
2. Panels are assumed to be in landscape orientation with a maximum width of 42"

Max Rail Spans for SunModo SMR100 System

Roof Wind Zone		Ground Snow Load (psf)	Wind Speed (mph)												
			90	95	100	105	110	115	120	130	140	150	160	170	180
Zones 1 & 2e		0	92	88	82	77	73	69	66	61	56	52	49	46	43
		10	92	88	82	77	73	69	66	61	56	52	49	46	43
		20	79	79	79	77	73	69	66	61	56	52	49	46	43
		30	79	79	79	77	73	69	66	61	56	52	49	46	43
		40	70	70	70	70	70	69	66	61	56	52	49	46	43
		50	63	63	63	63	63	63	63	61	56	52	49	46	43
		60	58	58	58	58	58	58	58	58	56	52	49	46	43
		70	54	54	54	54	54	54	54	54	54	52	49	46	43
		80	51	51	51	51	51	51	51	51	51	51	49	46	43
		90	48	48	48	48	48	48	48	48	48	48	48	48	46
Zones 2h, 2r, & 3e		0	74	68	65	61	58	56	53	49	45	42	40	37	35
		10	74	68	65	61	58	56	53	49	45	42	40	37	35
		20	74	68	65	61	58	56	53	49	45	42	40	37	35
		30	74	68	65	61	58	56	53	49	45	42	40	37	35
		40	70	68	65	61	58	56	53	49	45	42	40	37	35
		50	63	63	63	61	58	56	53	49	45	42	40	37	35
		60	58	58	58	58	58	56	53	49	45	42	40	37	35
		70	54	54	54	54	54	54	53	49	45	42	40	37	35
		80	51	51	51	51	51	51	51	49	45	42	40	37	35
		90	48	48	48	48	48	48	48	48	45	42	40	37	35
Zone 3r		0	66	62	59	56	53	51	48	45	41	38	36	34	32
		10	66	62	59	56	53	51	48	45	41	38	36	34	32
		20	66	62	59	56	53	51	48	45	41	38	36	34	32
		30	66	62	59	56	53	51	48	45	41	38	36	34	32
		40	66	62	59	56	53	51	48	45	41	38	36	34	32
		50	63	62	59	56	53	51	48	45	41	38	36	34	32
		60	58	58	58	56	53	51	48	45	41	38	36	34	32
		70	54	54	54	54	53	51	48	45	41	38	36	34	32
		80	51	51	51	51	51	51	48	45	41	38	36	34	32
		90	48	48	48	48	48	48	48	45	41	38	36	34	32

Notes:

1. Tables are based on critical rail span for load combinations as specified in chapter 2 of the ASCE 7-16 and allowable design loads per the 2015 Aluminum Design Manual.
2. Panels are assumed to be in landscape orientation with a maximum width of 42"

Max Rail Spans for SunModo SMR100 System

Roof Wind Zone		Ground Snow Load (psf)	Wind Speed (mph)													
			90	95	100	105	110	115	120	130	140	150	160	170	180	
Zones 1 & 2e		0	118	118	118	118	118	118	118	111	104	99	94	89	84	
		10	107	107	107	107	107	107	107	107	104	99	94	89	84	
		20	92	92	92	92	92	92	92	92	92	91	89	88	84	
		30	79	79	79	79	79	79	79	79	79	79	79	79	78	77
		40	70	70	70	70	70	70	70	70	70	70	70	70	70	70
		50	63	63	63	63	63	63	63	63	63	63	63	63	63	63
		60	58	58	58	58	58	58	58	58	58	58	58	58	58	58
		70	54	54	54	54	54	54	54	54	54	54	54	54	54	54
		80	51	51	51	51	51	51	51	51	51	51	51	51	51	51
		90	48	48	48	48	48	48	48	48	48	48	48	48	48	48
Zones 2h, 2r, & 3e		0	118	118	117	112	107	103	99	92	86	78	71	66	62	
		10	107	107	107	107	107	103	99	92	86	78	71	66	62	
		20	92	92	92	92	92	92	92	92	86	78	71	66	62	
		30	79	79	79	79	79	79	79	79	79	78	71	66	62	
		40	70	70	70	70	70	70	70	70	70	70	70	66	62	
		50	63	63	63	63	63	63	63	63	63	63	63	63	63	62
		60	58	58	58	58	58	58	58	58	58	58	58	58	58	58
		70	54	54	54	54	54	54	54	54	54	54	54	54	54	54
		80	51	51	51	51	51	51	51	51	51	51	51	51	51	51
		90	48	48	48	48	48	48	48	48	48	48	48	48	48	48
Zone 3r		0	118	115	110	105	100	96	93	86	77	70	64	59	56	
		10	107	107	107	105	100	96	93	86	77	70	64	59	56	
		20	92	92	92	92	92	92	92	86	77	70	64	59	56	
		30	79	79	79	79	79	79	79	79	77	70	64	59	56	
		40	70	70	70	70	70	70	70	70	70	70	64	59	56	
		50	63	63	63	63	63	63	63	63	63	63	63	59	56	
		60	58	58	58	58	58	58	58	58	58	58	58	58	56	
		70	54	54	54	54	54	54	54	54	54	54	54	54	54	
		80	51	51	51	51	51	51	51	51	51	51	51	51	51	
		90	48	48	48	48	48	48	48	48	48	48	48	48	48	

Notes:

1. Tables are based on critical rail span for load combinations as specified in chapter 2 of the ASCE 7-16 and allowable design loads per the 2015 Aluminum Design Manual.
2. Panels are assumed to be in landscape orientation with a maximum width of 42"

Max Rail Spans for SunModo SMR100 System

Roof Wind Zone		Ground Snow Load (psf)	Wind Speed (mph)													
			90	95	100	105	110	115	120	130	140	150	160	170	180	
Zones 1 & 2e		0	118	118	117	112	108	104	100	94	89	82	76	70	66	
		10	107	107	107	107	107	104	100	94	89	82	76	70	66	
		20	92	92	92	92	92	92	92	92	92	89	82	76	70	66
		30	79	79	79	79	79	79	79	79	79	79	79	76	70	66
		40	70	70	70	70	70	70	70	70	70	70	70	70	70	66
		50	63	63	63	63	63	63	63	63	63	63	63	63	63	63
		60	58	58	58	58	58	58	58	58	58	58	58	58	58	58
		70	54	54	54	54	54	54	54	54	54	54	54	54	54	54
		80	51	51	51	51	51	51	51	51	51	51	51	51	51	51
		90	48	48	48	48	48	48	48	48	48	48	48	48	48	48
Zones 2h, 2r, & 3e		0	107	102	97	93	90	86	80	72	65	61	57	53	50	
		10	107	102	97	93	90	86	80	72	65	61	57	53	50	
		20	92	92	92	92	90	86	80	72	65	61	57	53	50	
		30	79	79	79	79	79	79	79	72	65	61	57	53	50	
		40	70	70	70	70	70	70	70	70	65	61	57	53	50	
		50	63	63	63	63	63	63	63	63	63	63	61	57	53	50
		60	58	58	58	58	58	58	58	58	58	58	58	57	53	50
		70	54	54	54	54	54	54	54	54	54	54	54	54	53	50
		80	51	51	51	51	51	51	51	51	51	51	51	51	51	50
		90	48	48	48	48	48	48	48	48	48	48	48	48	48	48
Zone 3r		0	100	95	91	87	82	76	72	64	59	54	50	47	44	
		10	100	95	91	87	82	76	72	64	59	54	50	47	44	
		20	92	92	91	87	82	76	72	64	59	54	50	47	44	
		30	79	79	79	79	79	76	72	64	59	54	50	47	44	
		40	70	70	70	70	70	70	70	64	59	54	50	47	44	
		50	63	63	63	63	63	63	63	63	59	54	50	47	44	
		60	58	58	58	58	58	58	58	58	58	54	50	47	44	
		70	54	54	54	54	54	54	54	54	54	54	50	47	44	
		80	51	51	51	51	51	51	51	51	51	51	50	47	44	
		90	48	48	48	48	48	48	48	48	48	48	48	47	44	

Notes:

1. Tables are based on critical rail span for load combinations as specified in chapter 2 of the ASCE 7-16 and allowable design loads per the 2015 Aluminum Design Manual.
2. Panels are assumed to be in landscape orientation with a maximum width of 42"

Max Rail Spans for SunModo SMR100 System

Roof Wind Zone		Ground Snow Load (psf)	Wind Speed (mph)														
			90	95	100	105	110	115	120	130	140	150	160	170	180		
Zones 1 & 2e		0	118	118	118	115	111	107	103	97	91	86	79	73	68		
		10	107	107	107	107	107	107	107	103	97	91	86	79	73	68	
		20	92	92	92	92	92	92	92	92	90	88	86	79	73	68	
		30	79	79	79	79	79	79	79	79	79	78	77	76	73	68	
		40	70	70	70	70	70	70	70	70	70	70	70	69	68	67	
		50	63	63	63	63	63	63	63	63	63	63	63	63	63	63	62
		60	58	58	58	58	58	58	58	58	58	58	58	58	58	58	58
		70	54	54	54	54	54	54	54	54	54	54	54	54	54	54	54
		80	51	51	51	51	51	51	51	51	51	51	51	51	51	51	51
		90	48	48	48	48	48	48	48	48	48	48	48	48	48	48	48
Zones 2h, 2r, & 3e		0	110	105	100	96	92	89	85	75	68	63	59	55	52		
		10	107	105	100	96	92	89	85	75	68	63	59	55	52		
		20	92	92	92	92	92	89	85	75	68	63	59	55	52		
		30	79	79	79	79	79	79	79	75	68	63	59	55	52		
		40	70	70	70	70	70	70	70	70	68	63	59	55	52		
		50	63	63	63	63	63	63	63	63	63	63	63	59	55	52	
		60	58	58	58	58	58	58	58	58	58	58	58	58	55	52	
		70	54	54	54	54	54	54	54	54	54	54	54	54	54	52	
		80	51	51	51	51	51	51	51	51	51	51	51	51	51	51	51
		90	48	48	48	48	48	48	48	48	48	48	48	48	48	48	48
Zone 3r		0	103	98	94	90	86	80	75	67	61	56	52	49	45		
		10	103	98	94	90	86	80	75	67	61	56	52	49	45		
		20	92	92	92	90	86	80	75	67	61	56	52	49	45		
		30	79	79	79	79	79	79	75	67	61	56	52	49	45		
		40	70	70	70	70	70	70	70	67	61	56	52	49	45		
		50	63	63	63	63	63	63	63	63	61	56	52	49	45		
		60	58	58	58	58	58	58	58	58	58	56	52	49	45		
		70	54	54	54	54	54	54	54	54	54	54	52	49	45		
		80	51	51	51	51	51	51	51	51	51	51	51	51	49	45	
		90	48	48	48	48	48	48	48	48	48	48	48	48	48	45	

Notes:

1. Tables are based on critical rail span for load combinations as specified in chapter 2 of the ASCE 7-16 and allowable design loads per the 2015 Aluminum Design Manual.
2. Panels are assumed to be in landscape orientation with a maximum width of 42"

Max Rail Spans for SunModo SMR100 System

Roof Wind Zone		Ground Snow Load (psf)	Wind Speed (mph)													
			90	95	100	105	110	115	120	130	140	150	160	170	180	
Zones 1 & 2e		0	111	106	101	98	94	91	88	80	73	67	62	58	55	
		10	107	106	101	98	94	91	88	80	73	67	62	58	55	
		20	92	92	92	92	92	91	88	80	73	67	62	58	55	
		30	79	79	79	79	79	79	79	79	79	73	67	62	58	55
		40	70	70	70	70	70	70	70	70	70	70	67	62	58	55
		50	63	63	63	63	63	63	63	63	63	63	63	62	58	55
		60	58	58	58	58	58	58	58	58	58	58	58	58	58	55
		70	54	54	54	54	54	54	54	54	54	54	54	54	54	54
		80	51	51	51	51	51	51	51	51	51	51	51	51	51	51
		90	48	48	48	48	48	48	48	48	48	48	48	48	48	48
Zones 2h, 2r, & 3e		0	92	88	82	77	72	68	65	59	55	51	48	45	42	
		10	92	88	82	77	72	68	65	59	55	51	48	45	42	
		20	92	88	82	77	72	68	65	59	55	51	48	45	42	
		30	79	79	79	77	72	68	65	59	55	51	48	45	42	
		40	70	70	70	70	70	68	65	59	55	51	48	45	42	
		50	63	63	63	63	63	63	63	59	55	51	48	45	42	
		60	58	58	58	58	58	58	58	58	55	51	48	45	42	
		70	54	54	54	54	54	54	54	54	54	51	48	45	42	
		80	51	51	51	51	51	51	51	51	51	51	48	45	42	
		90	48	48	48	48	48	48	48	48	48	48	48	48	45	42
Zone 3r		0	86	79	73	68	64	61	58	53	48	44	41	38	36	
		10	86	79	73	68	64	61	58	53	48	44	41	38	36	
		20	86	79	73	68	64	61	58	53	48	44	41	38	36	
		30	79	79	73	68	64	61	58	53	48	44	41	38	36	
		40	70	70	70	68	64	61	58	53	48	44	41	38	36	
		50	63	63	63	63	63	61	58	53	48	44	41	38	36	
		60	58	58	58	58	58	58	58	53	48	44	41	38	36	
		70	54	54	54	54	54	54	54	53	48	44	41	38	36	
		80	51	51	51	51	51	51	51	51	48	44	41	38	36	
		90	48	48	48	48	48	48	48	48	48	44	41	38	36	

Notes:

1. Tables are based on critical rail span for load combinations as specified in chapter 2 of the ASCE 7-16 and allowable design loads per the 2015 Aluminum Design Manual.
2. Panels are assumed to be in landscape orientation with a maximum width of 42"

Max Rail Spans for SunModo SMR100 System

Roof Wind Zone		Ground Snow Load (psf)	Wind Speed (mph)													
			90	95	100	105	110	115	120	130	140	150	160	170	180	
Zones 1 & 2e		0	118	117	112	107	103	100	96	90	84	77	71	66	62	
		10	107	107	107	107	103	100	96	90	84	77	71	66	62	
		20	92	92	92	92	92	91	90	88	84	77	71	66	62	
		30	79	79	79	79	79	79	79	79	78	77	75	71	66	62
		40	70	70	70	70	70	70	70	70	70	70	69	68	66	62
		50	63	63	63	63	63	63	63	63	63	63	63	63	62	61
		60	58	58	58	58	58	58	58	58	58	58	58	58	58	57
		70	54	54	54	54	54	54	54	54	54	54	54	54	54	54
		80	51	51	51	51	51	51	51	51	51	51	51	51	51	51
		90	48	48	48	48	48	48	48	48	48	48	48	48	48	48
Zones 2h, 2r, & 3e		0	102	97	93	89	85	80	75	67	62	58	54	51	48	
		10	102	97	93	89	85	80	75	67	62	58	54	51	48	
		20	92	92	92	89	85	80	75	67	62	58	54	51	48	
		30	79	79	79	79	79	79	75	67	62	58	54	51	48	
		40	70	70	70	70	70	70	70	67	62	58	54	51	48	
		50	63	63	63	63	63	63	63	63	62	58	54	51	48	
		60	58	58	58	58	58	58	58	58	58	58	58	54	51	48
		70	54	54	54	54	54	54	54	54	54	54	54	54	51	48
		80	51	51	51	51	51	51	51	51	51	51	51	51	51	48
		90	48	48	48	48	48	48	48	48	48	48	48	48	48	48
Zone 3r		0	96	91	87	81	76	71	67	61	55	51	47	44	41	
		10	96	91	87	81	76	71	67	61	55	51	47	44	41	
		20	92	91	87	81	76	71	67	61	55	51	47	44	41	
		30	79	79	79	79	76	71	67	61	55	51	47	44	41	
		40	70	70	70	70	70	70	67	61	55	51	47	44	41	
		50	63	63	63	63	63	63	63	61	55	51	47	44	41	
		60	58	58	58	58	58	58	58	58	55	51	47	44	41	
		70	54	54	54	54	54	54	54	54	54	51	47	44	41	
		80	51	51	51	51	51	51	51	51	51	51	47	44	41	
		90	48	48	48	48	48	48	48	48	48	48	47	44	41	

Notes:

1. Tables are based on critical rail span for load combinations as specified in chapter 2 of the ASCE 7-16 and allowable design loads per the 2015 Aluminum Design Manual.
2. Panels are assumed to be in landscape orientation with a maximum width of 42"

Max Rail Spans for SunModo SMR100 System

Roof Wind Zone		Ground Snow Load (psf)	Wind Speed (mph)													
			90	95	100	105	110	115	120	130	140	150	160	170	180	
Zones 1 & 2e		0	103	99	95	91	88	84	79	72	66	61	57	53	50	
		10	103	99	95	91	88	84	79	72	66	61	57	53	50	
		20	92	92	92	91	88	84	79	72	66	61	57	53	50	
		30	79	79	79	79	79	79	79	79	72	66	61	57	53	50
		40	70	70	70	70	70	70	70	70	70	66	61	57	53	50
		50	63	63	63	63	63	63	63	63	63	63	61	57	53	50
		60	58	58	58	58	58	58	58	58	58	58	58	57	53	50
		70	54	54	54	54	54	54	54	54	54	54	54	54	53	50
		80	51	51	51	51	51	51	51	51	51	51	51	51	51	50
		90	48	48	48	48	48	48	48	48	48	48	48	48	48	48
Zones 2h, 2r, & 3e		0	85	78	73	68	65	62	59	54	50	47	44	41	39	
		10	85	78	73	68	65	62	59	54	50	47	44	41	39	
		20	85	78	73	68	65	62	59	54	50	47	44	41	39	
		30	79	78	73	68	65	62	59	54	50	47	44	41	39	
		40	70	70	70	68	65	62	59	54	50	47	44	41	39	
		50	63	63	63	63	63	62	59	54	50	47	44	41	39	
		60	58	58	58	58	58	58	58	54	50	47	44	41	39	
		70	54	54	54	54	54	54	54	54	50	47	44	41	39	
		80	51	51	51	51	51	51	51	51	50	47	44	41	39	
		90	48	48	48	48	48	48	48	48	48	47	44	41	39	
Zone 3r		0	76	70	65	61	58	55	52	48	44	40	37	35	33	
		10	76	70	65	61	58	55	52	48	44	40	37	35	33	
		20	76	70	65	61	58	55	52	48	44	40	37	35	33	
		30	76	70	65	61	58	55	52	48	44	40	37	35	33	
		40	70	70	65	61	58	55	52	48	44	40	37	35	33	
		50	63	63	63	61	58	55	52	48	44	40	37	35	33	
		60	58	58	58	58	58	55	52	48	44	40	37	35	33	
		70	54	54	54	54	54	54	52	48	44	40	37	35	33	
		80	51	51	51	51	51	51	51	48	44	40	37	35	33	
		90	48	48	48	48	48	48	48	48	44	40	37	35	33	

Notes:

1. Tables are based on critical rail span for load combinations as specified in chapter 2 of the ASCE 7-16 and allowable design loads per the 2015 Aluminum Design Manual.
2. Panels are assumed to be in landscape orientation with a maximum width of 42"

Max Rail Spans for SunModo SMR100 System

Roof Wind Zone		Ground Snow Load (psf)	Wind Speed (mph)														
			90	95	100	105	110	115	120	130	140	150	160	170	180		
Zones 1, 2e, & 2r		0	118	118	118	118	118	118	115	107	100	94	89	84	77		
		10	107	107	107	107	107	107	107	106	103	100	94	89	84	77	
		20	93	93	93	93	93	93	92	91	89	87	85	83	81	77	
		30	81	81	81	81	81	81	81	81	80	78	77	75	73	72	
		40	72	72	72	72	72	72	72	72	72	72	70	69	68	67	
		50	66	66	66	66	66	66	66	66	66	66	66	65	64	63	
		60	61	61	61	61	61	61	61	61	61	61	61	61	61	60	59
		70	57	57	57	57	57	57	57	57	57	57	57	57	57	57	56
		80	53	53	53	53	53	53	53	53	53	53	53	53	53	53	53
		90	51	51	51	51	51	51	51	51	51	51	51	51	51	51	51
Zones 2n & 3r		0	118	118	118	118	116	112	108	100	94	89	84	77	71		
		10	107	107	107	107	107	107	107	106	100	94	89	84	77	71	
		20	93	93	93	93	93	93	92	91	89	87	85	83	77	71	
		30	81	81	81	81	81	81	81	81	80	78	77	75	73	71	
		40	72	72	72	72	72	72	72	72	72	72	70	69	68	67	
		50	66	66	66	66	66	66	66	66	66	66	66	65	64	63	
		60	61	61	61	61	61	61	61	61	61	61	61	61	61	60	59
		70	57	57	57	57	57	57	57	57	57	57	57	57	57	57	56
		80	53	53	53	53	53	53	53	53	53	53	53	53	53	53	53
		90	51	51	51	51	51	51	51	51	51	51	51	51	51	51	51
Zone 3e		0	118	118	115	110	106	102	98	92	86	79	72	66	62		
		10	107	107	107	107	106	102	98	92	86	79	72	66	62		
		20	93	93	93	93	93	92	91	89	86	79	72	66	62		
		30	81	81	81	81	81	81	81	81	80	78	77	72	66	62	
		40	72	72	72	72	72	72	72	72	72	72	70	69	66	62	
		50	66	66	66	66	66	66	66	66	66	66	66	65	64	62	
		60	61	61	61	61	61	61	61	61	61	61	61	61	61	60	59
		70	57	57	57	57	57	57	57	57	57	57	57	57	57	57	56
		80	53	53	53	53	53	53	53	53	53	53	53	53	53	53	53
		90	51	51	51	51	51	51	51	51	51	51	51	51	51	51	51

Notes:

1. Tables are based on critical rail span for load combinations as specified in chapter 2 of the ASCE 7-16 and allowable design loads per the 2015 Aluminum Design Manual.
2. Panels are assumed to be in landscape orientation with a maximum width of 42"

Max Rail Spans for SunModo SMR100 System

Roof Wind Zone		Ground Snow Load (psf)	Wind Speed (mph)														
			90	95	100	105	110	115	120	130	140	150	160	170	180		
Zones 1, 2e, & 2r		0	118	118	113	108	103	99	96	89	83	75	68	64	60		
		10	107	107	107	107	103	99	96	89	83	75	68	64	60		
		20	93	93	93	93	93	92	91	89	83	75	68	64	60		
		30	81	81	81	81	81	81	81	81	80	78	75	68	64	60	
		40	72	72	72	72	72	72	72	72	72	72	70	68	64	60	
		50	66	66	66	66	66	66	66	66	66	66	66	65	64	60	
		60	61	61	61	61	61	61	61	61	61	61	61	61	61	60	59
		70	57	57	57	57	57	57	57	57	57	57	57	57	57	57	56
		80	53	53	53	53	53	53	53	53	53	53	53	53	53	53	53
		90	51	51	51	51	51	51	51	51	51	51	51	51	51	51	51
Zones 2n & 3r		0	116	111	106	101	97	94	91	84	76	69	64	60	57		
		10	107	107	106	101	97	94	91	84	76	69	64	60	57		
		20	93	93	93	93	93	92	91	84	76	69	64	60	57		
		30	81	81	81	81	81	81	81	81	80	76	69	64	60	57	
		40	72	72	72	72	72	72	72	72	72	72	69	64	60	57	
		50	66	66	66	66	66	66	66	66	66	66	66	64	60	57	
		60	61	61	61	61	61	61	61	61	61	61	61	61	61	60	57
		70	57	57	57	57	57	57	57	57	57	57	57	57	57	57	56
		80	53	53	53	53	53	53	53	53	53	53	53	53	53	53	53
		90	51	51	51	51	51	51	51	51	51	51	51	51	51	51	51
Zone 3e		0	106	101	96	92	89	86	81	72	66	60	56	52	49		
		10	106	101	96	92	89	86	81	72	66	60	56	52	49		
		20	93	93	93	92	89	86	81	72	66	60	56	52	49		
		30	81	81	81	81	81	81	81	81	72	66	60	56	52	49	
		40	72	72	72	72	72	72	72	72	72	66	60	56	52	49	
		50	66	66	66	66	66	66	66	66	66	66	60	56	52	49	
		60	61	61	61	61	61	61	61	61	61	61	61	60	56	52	49
		70	57	57	57	57	57	57	57	57	57	57	57	56	52	49	
		80	53	53	53	53	53	53	53	53	53	53	53	53	52	49	
		90	51	51	51	51	51	51	51	51	51	51	51	51	51	49	

Notes:

- Tables are based on critical rail span for load combinations as specified in chapter 2 of the ASCE 7-16 and allowable design loads per the 2015 Aluminum Design Manual.
- Panels are assumed to be in landscape orientation with a maximum width of 42"

Max Rail Spans for SunModo SMR100 System

Roof Wind Zone		Ground Snow Load (psf)	Wind Speed (mph)												
			90	95	100	105	110	115	120	130	140	150	160	170	180
Zones 1, 2e, & 2r		0	118	118	117	111	107	102	99	92	86	79	71	66	62
		10	107	107	107	105	103	101	99	92	86	79	71	66	62
		20	93	93	91	90	89	88	87	84	82	79	71	66	62
		30	81	81	81	81	80	79	78	76	74	72	70	66	62
		40	72	72	72	72	72	72	71	70	68	67	66	64	62
		50	66	66	66	66	66	66	66	65	64	63	62	60	59
		60	61	61	61	61	61	61	61	61	60	59	58	57	56
		70	57	57	57	57	57	57	57	57	57	57	56	55	54
		80	53	53	53	53	53	53	53	53	53	53	53	52	52
		90	51	51	51	51	51	51	51	51	51	51	51	51	50
Zones 2n & 3r		0	118	114	109	104	100	97	93	87	80	72	67	62	59
		10	107	107	107	104	100	97	93	87	80	72	67	62	59
		20	93	93	91	90	89	88	87	84	80	72	67	62	59
		30	81	81	81	81	80	79	78	76	74	72	67	62	59
		40	72	72	72	72	72	72	71	70	68	67	66	62	59
		50	66	66	66	66	66	66	66	65	64	63	62	60	59
		60	61	61	61	61	61	61	61	61	60	59	58	57	56
		70	57	57	57	57	57	57	57	57	57	57	56	55	54
		80	53	53	53	53	53	53	53	53	53	53	53	52	52
		90	51	51	51	51	51	51	51	51	51	51	51	51	50
Zone 3e		0	109	104	99	95	92	88	85	76	68	63	58	54	51
		10	107	104	99	95	92	88	85	76	68	63	58	54	51
		20	93	93	91	90	89	88	85	76	68	63	58	54	51
		30	81	81	81	81	80	79	78	76	68	63	58	54	51
		40	72	72	72	72	72	72	71	70	68	63	58	54	51
		50	66	66	66	66	66	66	66	65	64	63	58	54	51
		60	61	61	61	61	61	61	61	61	60	59	58	54	51
		70	57	57	57	57	57	57	57	57	57	57	56	54	51
		80	53	53	53	53	53	53	53	53	53	53	53	52	51
		90	51	51	51	51	51	51	51	51	51	51	51	50	50

Notes:

1. Tables are based on critical rail span for load combinations as specified in chapter 2 of the ASCE 7-16 and allowable design loads per the 2015 Aluminum Design Manual.
2. Panels are assumed to be in landscape orientation with a maximum width of 42"

Max Rail Spans for SunModo SMR100 System

Table 131b		Mean Roof Height: $15 < h \leq 30$ ft											Panel Orientation: Landscape	
		Roof Angle: $27 < \theta \leq 45$ degrees											North/South Support $X_E = 1.5$	
		Exposure Category: C											Roof Type : Gable	
Roof Wind Zone	Ground Snow Load (psf)	Wind Speed (mph)												
		90	95	100	105	110	115	120	130	140	150	160	170	180
Zones 1, 2e, & 2r	0	106	101	97	93	89	86	81	72	65	61	57	53	50
	10	106	101	97	93	89	86	81	72	65	61	57	53	50
	20	93	93	91	90	89	86	81	72	65	61	57	53	50
	30	81	81	81	81	80	79	78	72	65	61	57	53	50
	40	72	72	72	72	72	72	71	70	65	61	57	53	50
	50	66	66	66	66	66	66	66	65	64	61	57	53	50
	60	61	61	61	61	61	61	61	61	60	59	57	53	50
	70	57	57	57	57	57	57	57	57	57	57	56	53	50
	80	53	53	53	53	53	53	53	53	53	53	53	52	50
	90	51	51	51	51	51	51	51	51	51	51	51	51	50
Zones 2n & 3r	0	100	96	92	88	84	79	74	67	62	57	54	50	47
	10	100	96	92	88	84	79	74	67	62	57	54	50	47
	20	93	93	91	88	84	79	74	67	62	57	54	50	47
	30	81	81	81	81	80	79	74	67	62	57	54	50	47
	40	72	72	72	72	72	72	71	67	62	57	54	50	47
	50	66	66	66	66	66	66	66	65	62	57	54	50	47
	60	61	61	61	61	61	61	61	61	60	57	54	50	47
	70	57	57	57	57	57	57	57	57	57	57	54	50	47
	80	53	53	53	53	53	53	53	53	53	53	53	50	47
	90	51	51	51	51	51	51	51	51	51	51	51	51	50
Zone 3e	0	91	87	83	77	72	68	64	59	54	50	46	43	40
	10	91	87	83	77	72	68	64	59	54	50	46	43	40
	20	91	87	83	77	72	68	64	59	54	50	46	43	40
	30	81	81	81	77	72	68	64	59	54	50	46	43	40
	40	72	72	72	72	72	68	64	59	54	50	46	43	40
	50	66	66	66	66	66	66	64	59	54	50	46	43	40
	60	61	61	61	61	61	61	61	59	54	50	46	43	40
	70	57	57	57	57	57	57	57	57	54	50	46	43	40
	80	53	53	53	53	53	53	53	53	53	50	46	43	40
	90	51	51	51	51	51	51	51	51	51	50	46	43	40

Notes:

1. Tables are based on critical rail span for load combinations as specified in chapter 2 of the ASCE 7-16 and allowable design loads per the 2015 Aluminum Design Manual.
2. Panels are assumed to be in landscape orientation with a maximum width of 42"

Max Rail Spans for SunModo SMR100 System

Table 132a		Mean Roof Height: 15 < h ≤ 30 ft							Panel Orientation: Landscape					
		Roof Angle: 27 < θ ≤ 45 degrees							North/South Support X _E = 1					
		Exposure Category: D							Roof Type : Gable					
Roof Wind Zone	Ground Snow Load (psf)	Wind Speed (mph)												
		90	95	100	105	110	115	120	130	140	150	160	170	180
Zones 1, 2e, & 2r	0	118	113	108	103	99	95	92	86	77	69	64	60	57
	10	107	105	104	102	99	95	92	86	77	69	64	60	57
	20	92	91	89	88	87	86	84	81	77	69	64	60	57
	30	81	81	80	79	78	77	76	74	72	69	64	60	57
	40	72	72	72	72	71	71	70	68	67	65	63	60	57
	50	66	66	66	66	66	66	65	64	63	61	60	59	57
	60	61	61	61	61	61	61	61	60	59	58	57	56	55
	70	57	57	57	57	57	57	57	57	56	55	54	53	52
	80	53	53	53	53	53	53	53	53	53	53	52	51	50
	90	51	51	51	51	51	51	51	51	51	51	50	49	49
Zones 2n & 3r	0	111	106	101	97	93	90	87	79	71	65	61	57	54
	10	107	105	101	97	93	90	87	79	71	65	61	57	54
	20	92	91	89	88	87	86	84	79	71	65	61	57	54
	30	81	81	80	79	78	77	76	74	71	65	61	57	54
	40	72	72	72	72	71	71	70	68	67	65	61	57	54
	50	66	66	66	66	66	66	65	64	63	61	60	57	54
	60	61	61	61	61	61	61	61	60	59	58	57	56	54
	70	57	57	57	57	57	57	57	57	56	55	54	53	52
	80	53	53	53	53	53	53	53	53	53	53	52	51	50
	90	51	51	51	51	51	51	51	51	51	51	50	49	49
Zone 3e	0	101	96	92	89	85	80	75	67	62	57	53	49	46
	10	101	96	92	89	85	80	75	67	62	57	53	49	46
	20	92	91	89	88	85	80	75	67	62	57	53	49	46
	30	81	81	80	79	78	77	75	67	62	57	53	49	46
	40	72	72	72	72	71	71	70	67	62	57	53	49	46
	50	66	66	66	66	66	66	65	64	62	57	53	49	46
	60	61	61	61	61	61	61	61	60	59	57	53	49	46
	70	57	57	57	57	57	57	57	57	56	55	53	49	46
	80	53	53	53	53	53	53	53	53	53	53	52	49	46
	90	51	51	51	51	51	51	51	51	51	51	50	49	46

Notes:

1. Tables are based on critical rail span for load combinations as specified in chapter 2 of the ASCE 7-16 and allowable design loads per the 2015 Aluminum Design Manual.
2. Panels are assumed to be in landscape orientation with a maximum width of 42"

Max Rail Spans for SunModo SMR100 System

Table 132b		Mean Roof Height: $15 < h \leq 30$ ft											Panel Orientation: Landscape	
		Roof Angle: $27 < \theta \leq 45$ degrees											North/South Support $X_E = 1.5$	
		Exposure Category: D											Roof Type : Gable	
Roof Wind Zone	Ground Snow Load (psf)	Wind Speed (mph)												
		90	95	100	105	110	115	120	130	140	150	160	170	180
Zones 1, 2e, & 2r	0	99	94	90	86	81	76	71	65	60	55	52	49	46
	10	99	94	90	86	81	76	71	65	60	55	52	49	46
	20	92	91	89	86	81	76	71	65	60	55	52	49	46
	30	81	81	80	79	78	76	71	65	60	55	52	49	46
	40	72	72	72	72	71	71	70	65	60	55	52	49	46
	50	66	66	66	66	66	66	65	64	60	55	52	49	46
	60	61	61	61	61	61	61	61	60	59	55	52	49	46
	70	57	57	57	57	57	57	57	57	56	55	52	49	46
	80	53	53	53	53	53	53	53	53	53	53	52	49	46
90	51	51	51	51	51	51	51	51	51	51	51	50	49	46
Zones 2n & 3r	0	93	89	85	80	75	70	67	61	56	52	49	46	43
	10	93	89	85	80	75	70	67	61	56	52	49	46	43
	20	92	89	85	80	75	70	67	61	56	52	49	46	43
	30	81	81	80	79	75	70	67	61	56	52	49	46	43
	40	72	72	72	72	71	70	67	61	56	52	49	46	43
	50	66	66	66	66	66	66	65	61	56	52	49	46	43
	60	61	61	61	61	61	61	61	60	56	52	49	46	43
	70	57	57	57	57	57	57	57	57	56	52	49	46	43
	80	53	53	53	53	53	53	53	53	53	52	49	46	43
90	51	51	51	51	51	51	51	51	51	51	49	46	43	
Zone 3e	0	85	79	73	68	65	61	58	53	49	45	42	39	37
	10	85	79	73	68	65	61	58	53	49	45	42	39	37
	20	85	79	73	68	65	61	58	53	49	45	42	39	37
	30	81	79	73	68	65	61	58	53	49	45	42	39	37
	40	72	72	72	68	65	61	58	53	49	45	42	39	37
	50	66	66	66	66	65	61	58	53	49	45	42	39	37
	60	61	61	61	61	61	61	58	53	49	45	42	39	37
	70	57	57	57	57	57	57	57	53	49	45	42	39	37
	80	53	53	53	53	53	53	53	53	49	45	42	39	37
90	51	51	51	51	51	51	51	51	49	45	42	39	37	

Notes:

- Tables are based on critical rail span for load combinations as specified in chapter 2 of the ASCE 7-16 and allowable design loads per the 2015 Aluminum Design Manual.
- Panels are assumed to be in landscape orientation with a maximum width of 42"

Max Rail Spans for SunModo SMR100 System

Roof Wind Zone		Ground Snow Load (psf)	Wind Speed (mph)													
			90	95	100	105	110	115	120	130	140	150	160	170	180	
Zone 1		0	118	118	118	118	118	114	110	103	97	92	86	80	74	
		10	100	100	100	100	100	100	100	99	97	92	86	80	74	
		20	79	79	79	79	79	79	79	79	79	79	78	77	75	74
		30	79	79	79	79	79	79	79	79	79	79	78	77	75	74
		40	70	70	70	70	70	70	70	70	70	70	70	70	69	68
		50	63	63	63	63	63	63	63	63	63	63	63	63	63	63
		60	58	58	58	58	58	58	58	58	58	58	58	58	58	58
		70	54	54	54	54	54	54	54	54	54	54	54	54	54	54
		80	51	51	51	51	51	51	51	51	51	51	51	51	51	51
		90	48	48	48	48	48	48	48	48	48	48	48	48	48	48
Zone 2r		0	118	118	118	113	108	104	100	94	87	79	73	67	63	
		10	100	100	100	100	100	100	100	94	87	79	73	67	63	
		20	79	79	79	79	79	79	79	79	79	79	78	73	67	63
		30	79	79	79	79	79	79	79	79	79	79	78	73	67	63
		40	70	70	70	70	70	70	70	70	70	70	70	70	67	63
		50	63	63	63	63	63	63	63	63	63	63	63	63	63	63
		60	58	58	58	58	58	58	58	58	58	58	58	58	58	58
		70	54	54	54	54	54	54	54	54	54	54	54	54	54	54
		80	51	51	51	51	51	51	51	51	51	51	51	51	51	51
		90	48	48	48	48	48	48	48	48	48	48	48	48	48	48
Zones 2e & 3		0	118	118	114	109	105	101	97	91	82	75	69	64	61	
		10	100	100	100	100	100	100	100	97	91	82	75	69	64	61
		20	79	79	79	79	79	79	79	79	79	79	75	69	64	61
		30	79	79	79	79	79	79	79	79	79	79	75	69	64	61
		40	70	70	70	70	70	70	70	70	70	70	70	69	64	61
		50	63	63	63	63	63	63	63	63	63	63	63	63	63	61
		60	58	58	58	58	58	58	58	58	58	58	58	58	58	58
		70	54	54	54	54	54	54	54	54	54	54	54	54	54	54
		80	51	51	51	51	51	51	51	51	51	51	51	51	51	51
		90	48	48	48	48	48	48	48	48	48	48	48	48	48	48

Notes:

1. Tables are based on critical rail span for load combinations as specified in chapter 2 of the ASCE 7-16 and allowable design loads per the 2015 Aluminum Design Manual.
2. Panels are assumed to be in landscape orientation with a maximum width of 42"

Max Rail Spans for SunModo SMR100 System

Roof Wind Zone		Ground Snow Load (psf)	Wind Speed (mph)													
			90	95	100	105	110	115	120	130	140	150	160	170	180	
Zone 1		0	118	113	108	104	100	97	93	87	79	73	67	63	59	
		10	100	100	100	100	100	97	93	87	79	73	67	63	59	
		20	79	79	79	79	79	79	79	79	79	79	73	67	63	59
		30	79	79	79	79	79	79	79	79	79	79	73	67	63	59
		40	70	70	70	70	70	70	70	70	70	70	70	67	63	59
		50	63	63	63	63	63	63	63	63	63	63	63	63	63	59
		60	58	58	58	58	58	58	58	58	58	58	58	58	58	58
		70	54	54	54	54	54	54	54	54	54	54	54	54	54	54
		80	51	51	51	51	51	51	51	51	51	51	51	51	51	51
		90	48	48	48	48	48	48	48	48	48	48	48	48	48	48
Zone 2r		0	108	103	99	95	91	86	81	73	66	62	58	54	51	
		10	100	100	99	95	91	86	81	73	66	62	58	54	51	
		20	79	79	79	79	79	79	79	73	66	62	58	54	51	
		30	79	79	79	79	79	79	79	73	66	62	58	54	51	
		40	70	70	70	70	70	70	70	70	66	62	58	54	51	
		50	63	63	63	63	63	63	63	63	63	63	62	58	54	51
		60	58	58	58	58	58	58	58	58	58	58	58	58	54	51
		70	54	54	54	54	54	54	54	54	54	54	54	54	54	51
		80	51	51	51	51	51	51	51	51	51	51	51	51	51	51
		90	48	48	48	48	48	48	48	48	48	48	48	48	48	48
Zones 2e & 3		0	104	100	95	91	87	82	77	69	64	59	55	52	49	
		10	100	100	95	91	87	82	77	69	64	59	55	52	49	
		20	79	79	79	79	79	79	79	77	69	64	59	55	52	49
		30	79	79	79	79	79	79	79	77	69	64	59	55	52	49
		40	70	70	70	70	70	70	70	69	64	59	55	52	49	
		50	63	63	63	63	63	63	63	63	63	63	59	55	52	49
		60	58	58	58	58	58	58	58	58	58	58	58	55	52	49
		70	54	54	54	54	54	54	54	54	54	54	54	54	52	49
		80	51	51	51	51	51	51	51	51	51	51	51	51	51	49
		90	48	48	48	48	48	48	48	48	48	48	48	48	48	48

Notes:

1. Tables are based on critical rail span for load combinations as specified in chapter 2 of the ASCE 7-16 and allowable design loads per the 2015 Aluminum Design Manual.
2. Panels are assumed to be in landscape orientation with a maximum width of 42"

Max Rail Spans for SunModo SMR100 System

Roof Wind Zone		Ground Snow Load (psf)	Wind Speed (mph)													
			90	95	100	105	110	115	120	130	140	150	160	170	180	
Zone 1		0	118	117	112	107	103	99	96	90	82	76	70	65	62	
		10	100	100	100	100	99	98	96	90	82	76	70	65	62	
		20	79	79	79	79	79	79	79	79	78	76	74	70	65	62
		30	79	79	79	79	79	79	79	79	78	76	74	70	65	62
		40	70	70	70	70	70	70	70	70	70	69	68	67	65	62
		50	63	63	63	63	63	63	63	63	63	63	63	62	61	60
		60	58	58	58	58	58	58	58	58	58	58	58	58	58	57
		70	54	54	54	54	54	54	54	54	54	54	54	54	54	54
		80	51	51	51	51	51	51	51	51	51	51	51	51	51	51
		90	48	48	48	48	48	48	48	48	48	48	48	48	48	48
Zone 2r		0	112	106	102	97	94	90	85	76	69	64	60	56	53	
		10	100	100	100	97	94	90	85	76	69	64	60	56	53	
		20	79	79	79	79	79	79	79	79	76	69	64	60	56	53
		30	79	79	79	79	79	79	79	79	76	69	64	60	56	53
		40	70	70	70	70	70	70	70	70	70	69	64	60	56	53
		50	63	63	63	63	63	63	63	63	63	63	63	60	56	53
		60	58	58	58	58	58	58	58	58	58	58	58	58	56	53
		70	54	54	54	54	54	54	54	54	54	54	54	54	54	53
		80	51	51	51	51	51	51	51	51	51	51	51	51	51	51
		90	48	48	48	48	48	48	48	48	48	48	48	48	48	48
Zones 2e & 3		0	108	103	98	94	90	86	81	72	66	61	57	54	51	
		10	100	100	98	94	90	86	81	72	66	61	57	54	51	
		20	79	79	79	79	79	79	79	79	72	66	61	57	54	51
		30	79	79	79	79	79	79	79	79	72	66	61	57	54	51
		40	70	70	70	70	70	70	70	70	70	66	61	57	54	51
		50	63	63	63	63	63	63	63	63	63	63	61	57	54	51
		60	58	58	58	58	58	58	58	58	58	58	58	57	54	51
		70	54	54	54	54	54	54	54	54	54	54	54	54	54	51
		80	51	51	51	51	51	51	51	51	51	51	51	51	51	51
		90	48	48	48	48	48	48	48	48	48	48	48	48	48	48

Notes:

1. Tables are based on critical rail span for load combinations as specified in chapter 2 of the ASCE 7-16 and allowable design loads per the 2015 Aluminum Design Manual.
2. Panels are assumed to be in landscape orientation with a maximum width of 42"

Max Rail Spans for SunModo SMR100 System

Roof Wind Zone		Ground Snow Load (psf)	Wind Speed (mph)													
			90	95	100	105	110	115	120	130	140	150	160	170	180	
Zone 1		0	103	98	94	91	87	82	78	70	65	60	56	53	50	
		10	100	98	94	91	87	82	78	70	65	60	56	53	50	
		20	79	79	79	79	79	79	79	78	70	65	60	56	53	50
		30	79	79	79	79	79	79	79	78	70	65	60	56	53	50
		40	70	70	70	70	70	70	70	70	70	65	60	56	53	50
		50	63	63	63	63	63	63	63	63	63	63	60	56	53	50
		60	58	58	58	58	58	58	58	58	58	58	58	56	53	50
		70	54	54	54	54	54	54	54	54	54	54	54	54	53	50
		80	51	51	51	51	51	51	51	51	51	51	51	51	51	50
		90	48	48	48	48	48	48	48	48	48	48	48	48	48	48
Zone 2r		0	93	89	83	78	73	69	66	60	56	52	48	45	43	
		10	93	89	83	78	73	69	66	60	56	52	48	45	43	
		20	79	79	79	78	73	69	66	60	56	52	48	45	43	
		30	79	79	79	78	73	69	66	60	56	52	48	45	43	
		40	70	70	70	70	70	69	66	60	56	52	48	45	43	
		50	63	63	63	63	63	63	63	60	56	52	48	45	43	
		60	58	58	58	58	58	58	58	58	56	52	48	45	43	
		70	54	54	54	54	54	54	54	54	54	52	48	45	43	
		80	51	51	51	51	51	51	51	51	51	51	48	45	43	
		90	48	48	48	48	48	48	48	48	48	48	48	48	45	43
Zones 2e & 3		0	90	84	79	74	69	66	63	58	53	50	46	44	41	
		10	90	84	79	74	69	66	63	58	53	50	46	44	41	
		20	79	79	79	74	69	66	63	58	53	50	46	44	41	
		30	79	79	79	74	69	66	63	58	53	50	46	44	41	
		40	70	70	70	70	69	66	63	58	53	50	46	44	41	
		50	63	63	63	63	63	63	63	58	53	50	46	44	41	
		60	58	58	58	58	58	58	58	58	53	50	46	44	41	
		70	54	54	54	54	54	54	54	54	53	50	46	44	41	
		80	51	51	51	51	51	51	51	51	51	50	46	44	41	
		90	48	48	48	48	48	48	48	48	48	48	46	44	41	

Notes:

1. Tables are based on critical rail span for load combinations as specified in chapter 2 of the ASCE 7-16 and allowable design loads per the 2015 Aluminum Design Manual.
2. Panels are assumed to be in landscape orientation with a maximum width of 42"

Max Rail Spans for SunModo SMR100 System

Roof Wind Zone		Ground Snow Load (psf)	Wind Speed (mph)													
			90	95	100	105	110	115	120	130	140	150	160	170	180	
Zone 1		0	114	109	104	100	96	93	90	81	74	68	64	60	56	
		10	100	100	100	98	96	93	90	81	74	68	64	60	56	
		20	79	79	79	79	79	78	78	76	74	68	64	60	56	
		30	79	79	79	79	79	78	78	76	74	68	64	60	56	
		40	70	70	70	70	70	70	70	69	68	66	64	60	56	
		50	63	63	63	63	63	63	63	63	63	63	62	61	60	56
		60	58	58	58	58	58	58	58	58	58	58	58	57	57	56
		70	54	54	54	54	54	54	54	54	54	54	54	54	54	53
		80	51	51	51	51	51	51	51	51	51	51	51	51	51	51
		90	48	48	48	48	48	48	48	48	48	48	48	48	48	48
Zone 2r		0	104	99	94	91	86	81	76	68	63	59	55	51	48	
		10	100	99	94	91	86	81	76	68	63	59	55	51	48	
		20	79	79	79	79	79	78	76	68	63	59	55	51	48	
		30	79	79	79	79	79	78	76	68	63	59	55	51	48	
		40	70	70	70	70	70	70	70	68	63	59	55	51	48	
		50	63	63	63	63	63	63	63	63	63	63	59	55	51	48
		60	58	58	58	58	58	58	58	58	58	58	58	55	51	48
		70	54	54	54	54	54	54	54	54	54	54	54	54	51	48
		80	51	51	51	51	51	51	51	51	51	51	51	51	51	48
		90	48	48	48	48	48	48	48	48	48	48	48	48	48	48
Zones 2e & 3		0	100	95	91	87	81	76	72	65	60	56	53	49	46	
		10	100	95	91	87	81	76	72	65	60	56	53	49	46	
		20	79	79	79	79	79	76	72	65	60	56	53	49	46	
		30	79	79	79	79	79	76	72	65	60	56	53	49	46	
		40	70	70	70	70	70	70	70	65	60	56	53	49	46	
		50	63	63	63	63	63	63	63	63	60	56	53	49	46	
		60	58	58	58	58	58	58	58	58	58	56	53	49	46	
		70	54	54	54	54	54	54	54	54	54	54	53	49	46	
		80	51	51	51	51	51	51	51	51	51	51	51	49	46	
		90	48	48	48	48	48	48	48	48	48	48	48	48	46	

Notes:

1. Tables are based on critical rail span for load combinations as specified in chapter 2 of the ASCE 7-16 and allowable design loads per the 2015 Aluminum Design Manual.
2. Panels are assumed to be in landscape orientation with a maximum width of 42"

Max Rail Spans for SunModo SMR100 System

Roof Wind Zone		Ground Snow Load (psf)	Wind Speed (mph)												
			90	95	100	105	110	115	120	130	140	150	160	170	180
Zone 1		0	96	92	88	83	78	74	70	64	59	55	52	48	46
		10	96	92	88	83	78	74	70	64	59	55	52	48	46
		20	79	79	79	79	78	74	70	64	59	55	52	48	46
		30	79	79	79	79	78	74	70	64	59	55	52	48	46
		40	70	70	70	70	70	70	70	64	59	55	52	48	46
		50	63	63	63	63	63	63	63	63	59	55	52	48	46
		60	58	58	58	58	58	58	58	58	58	55	52	48	46
		70	54	54	54	54	54	54	54	54	54	54	52	48	46
		80	51	51	51	51	51	51	51	51	51	51	51	48	46
		90	48	48	48	48	48	48	48	48	48	48	48	48	46
Zone 2r		0	85	79	74	69	66	63	60	55	51	47	44	42	39
		10	85	79	74	69	66	63	60	55	51	47	44	42	39
		20	79	79	74	69	66	63	60	55	51	47	44	42	39
		30	79	79	74	69	66	63	60	55	51	47	44	42	39
		40	70	70	70	69	66	63	60	55	51	47	44	42	39
		50	63	63	63	63	63	63	60	55	51	47	44	42	39
		60	58	58	58	58	58	58	58	55	51	47	44	42	39
		70	54	54	54	54	54	54	54	54	51	47	44	42	39
		80	51	51	51	51	51	51	51	51	51	47	44	42	39
		90	48	48	48	48	48	48	48	48	48	47	44	42	39
Zones 2e & 3		0	81	75	70	66	63	60	57	53	49	45	43	40	38
		10	81	75	70	66	63	60	57	53	49	45	43	40	38
		20	79	75	70	66	63	60	57	53	49	45	43	40	38
		30	79	75	70	66	63	60	57	53	49	45	43	40	38
		40	70	70	70	66	63	60	57	53	49	45	43	40	38
		50	63	63	63	63	63	60	57	53	49	45	43	40	38
		60	58	58	58	58	58	58	57	53	49	45	43	40	38
		70	54	54	54	54	54	54	54	53	49	45	43	40	38
		80	51	51	51	51	51	51	51	51	49	45	43	40	38
		90	48	48	48	48	48	48	48	48	48	45	43	40	38

Notes:

1. Tables are based on critical rail span for load combinations as specified in chapter 2 of the ASCE 7-16 and allowable design loads per the 2015 Aluminum Design Manual.
2. Panels are assumed to be in landscape orientation with a maximum width of 42"

Max Rail Spans for SunModo SMR100 System

Roof Wind Zone		Ground Snow Load (psf)	Wind Speed (mph)													
			90	95	100	105	110	115	120	130	140	150	160	170	180	
Zone 1		0	118	118	118	118	118	118	118	118	111	105	99	95	90	
		10	100	100	100	100	100	100	100	100	98	96	94	92	90	87
		20	79	79	79	79	79	79	79	79	79	79	78	76	75	74
		30	79	79	79	79	79	79	79	79	79	79	78	76	75	74
		40	70	70	70	70	70	70	70	70	70	70	70	70	69	68
		50	63	63	63	63	63	63	63	63	63	63	63	63	63	63
		60	58	58	58	58	58	58	58	58	58	58	58	58	58	58
		70	54	54	54	54	54	54	54	54	54	54	54	54	54	54
		80	51	51	51	51	51	51	51	51	51	51	51	51	51	51
		90	48	48	48	48	48	48	48	48	48	48	48	48	48	48
Zone 2r		0	118	118	118	113	108	104	100	94	87	79	73	67	63	
		10	100	100	100	100	100	100	100	100	94	87	79	73	67	63
		20	79	79	79	79	79	79	79	79	79	79	78	73	67	63
		30	79	79	79	79	79	79	79	79	79	79	78	73	67	63
		40	70	70	70	70	70	70	70	70	70	70	70	70	67	63
		50	63	63	63	63	63	63	63	63	63	63	63	63	63	63
		60	58	58	58	58	58	58	58	58	58	58	58	58	58	58
		70	54	54	54	54	54	54	54	54	54	54	54	54	54	54
		80	51	51	51	51	51	51	51	51	51	51	51	51	51	51
		90	48	48	48	48	48	48	48	48	48	48	48	48	48	48
Zones 2e & 3		0	118	118	118	118	118	118	114	106	99	93	88	81	75	
		10	100	100	100	100	100	100	100	100	98	96	93	88	81	75
		20	79	79	79	79	79	79	79	79	79	79	78	76	75	74
		30	79	79	79	79	79	79	79	79	79	79	78	76	75	74
		40	70	70	70	70	70	70	70	70	70	70	70	70	69	68
		50	63	63	63	63	63	63	63	63	63	63	63	63	63	63
		60	58	58	58	58	58	58	58	58	58	58	58	58	58	58
		70	54	54	54	54	54	54	54	54	54	54	54	54	54	54
		80	51	51	51	51	51	51	51	51	51	51	51	51	51	51
		90	48	48	48	48	48	48	48	48	48	48	48	48	48	48

Notes:

1. Tables are based on critical rail span for load combinations as specified in chapter 2 of the ASCE 7-16 and allowable design loads per the 2015 Aluminum Design Manual.
2. Panels are assumed to be in landscape orientation with a maximum width of 42"

Max Rail Spans for SunModo SMR100 System

Roof Wind Zone		Ground Snow Load (psf)	Wind Speed (mph)													
			90	95	100	105	110	115	120	130	140	150	160	170	180	
Zone 1		0	118	118	118	118	115	111	107	100	94	89	82	76	71	
		10	100	100	100	100	100	100	100	100	98	94	89	82	76	71
		20	79	79	79	79	79	79	79	79	79	79	78	76	75	71
		30	79	79	79	79	79	79	79	79	79	79	78	76	75	71
		40	70	70	70	70	70	70	70	70	70	70	70	70	69	68
		50	63	63	63	63	63	63	63	63	63	63	63	63	63	63
		60	58	58	58	58	58	58	58	58	58	58	58	58	58	58
		70	54	54	54	54	54	54	54	54	54	54	54	54	54	54
		80	51	51	51	51	51	51	51	51	51	51	51	51	51	51
		90	48	48	48	48	48	48	48	48	48	48	48	48	48	48
Zone 2r		0	108	103	99	95	91	86	81	73	66	62	58	54	51	
		10	100	100	99	95	91	86	81	73	66	62	58	54	51	
		20	79	79	79	79	79	79	79	73	66	62	58	54	51	
		30	79	79	79	79	79	79	79	73	66	62	58	54	51	
		40	70	70	70	70	70	70	70	70	66	62	58	54	51	
		50	63	63	63	63	63	63	63	63	63	62	58	54	51	
		60	58	58	58	58	58	58	58	58	58	58	58	54	51	
		70	54	54	54	54	54	54	54	54	54	54	54	54	51	
		80	51	51	51	51	51	51	51	51	51	51	51	51	51	
		90	48	48	48	48	48	48	48	48	48	48	48	48	48	
Zones 2e & 3		0	118	117	112	107	102	99	95	89	80	73	67	63	59	
		10	100	100	100	100	100	99	95	89	80	73	67	63	59	
		20	79	79	79	79	79	79	79	79	79	73	67	63	59	
		30	79	79	79	79	79	79	79	79	79	73	67	63	59	
		40	70	70	70	70	70	70	70	70	70	70	67	63	59	
		50	63	63	63	63	63	63	63	63	63	63	63	63	59	
		60	58	58	58	58	58	58	58	58	58	58	58	58	58	
		70	54	54	54	54	54	54	54	54	54	54	54	54	54	
		80	51	51	51	51	51	51	51	51	51	51	51	51	51	
		90	48	48	48	48	48	48	48	48	48	48	48	48	48	

Notes:

1. Tables are based on critical rail span for load combinations as specified in chapter 2 of the ASCE 7-16 and allowable design loads per the 2015 Aluminum Design Manual.
2. Panels are assumed to be in landscape orientation with a maximum width of 42"

Max Rail Spans for SunModo SMR100 System

Roof Wind Zone		Ground Snow Load (psf)	Wind Speed (mph)													
			90	95	100	105	110	115	120	130	140	150	160	170	180	
Zone 1		0	118	118	118	118	118	114	110	103	97	91	86	79	74	
		10	100	100	100	99	98	97	96	93	90	88	85	79	74	
		20	79	79	79	79	79	79	79	77	76	74	73	71	69	
		30	79	79	79	79	79	79	79	77	76	74	73	71	69	
		40	70	70	70	70	70	70	70	70	69	68	67	66	64	
		50	63	63	63	63	63	63	63	63	63	63	63	62	61	60
		60	58	58	58	58	58	58	58	58	58	58	58	58	58	57
		70	54	54	54	54	54	54	54	54	54	54	54	54	54	54
		80	51	51	51	51	51	51	51	51	51	51	51	51	51	51
		90	48	48	48	48	48	48	48	48	48	48	48	48	48	48
Zone 2r		0	112	106	102	97	94	90	85	76	69	64	60	56	53	
		10	100	100	100	97	94	90	85	76	69	64	60	56	53	
		20	79	79	79	79	79	79	79	76	69	64	60	56	53	
		30	79	79	79	79	79	79	79	76	69	64	60	56	53	
		40	70	70	70	70	70	70	70	70	69	64	60	56	53	
		50	63	63	63	63	63	63	63	63	63	63	63	60	56	53
		60	58	58	58	58	58	58	58	58	58	58	58	58	56	53
		70	54	54	54	54	54	54	54	54	54	54	54	54	54	53
		80	51	51	51	51	51	51	51	51	51	51	51	51	51	51
		90	48	48	48	48	48	48	48	48	48	48	48	48	48	48
Zones 2e & 3		0	118	118	115	110	106	102	98	91	84	76	70	65	62	
		10	100	100	100	99	98	97	96	91	84	76	70	65	62	
		20	79	79	79	79	79	79	79	77	76	74	70	65	62	
		30	79	79	79	79	79	79	79	77	76	74	70	65	62	
		40	70	70	70	70	70	70	70	70	69	68	67	65	62	
		50	63	63	63	63	63	63	63	63	63	63	63	62	61	60
		60	58	58	58	58	58	58	58	58	58	58	58	58	58	57
		70	54	54	54	54	54	54	54	54	54	54	54	54	54	54
		80	51	51	51	51	51	51	51	51	51	51	51	51	51	51
		90	48	48	48	48	48	48	48	48	48	48	48	48	48	48

Notes:

1. Tables are based on critical rail span for load combinations as specified in chapter 2 of the ASCE 7-16 and allowable design loads per the 2015 Aluminum Design Manual.
2. Panels are assumed to be in landscape orientation with a maximum width of 42"

Max Rail Spans for SunModo SMR100 System

Roof Wind Zone		Ground Snow Load (psf)	Wind Speed (mph)													
			90	95	100	105	110	115	120	130	140	150	160	170	180	
Zone 1		0	118	113	108	104	100	96	93	86	78	72	67	63	59	
		10	100	100	100	99	98	96	93	86	78	72	67	63	59	
		20	79	79	79	79	79	79	79	79	77	76	72	67	63	59
		30	79	79	79	79	79	79	79	79	77	76	72	67	63	59
		40	70	70	70	70	70	70	70	70	70	69	68	67	63	59
		50	63	63	63	63	63	63	63	63	63	63	63	62	61	59
		60	58	58	58	58	58	58	58	58	58	58	58	58	58	57
		70	54	54	54	54	54	54	54	54	54	54	54	54	54	54
		80	51	51	51	51	51	51	51	51	51	51	51	51	51	51
		90	48	48	48	48	48	48	48	48	48	48	48	48	48	48
Zone 2r		0	93	89	83	78	73	69	66	60	56	52	48	45	43	
		10	93	89	83	78	73	69	66	60	56	52	48	45	43	
		20	79	79	79	78	73	69	66	60	56	52	48	45	43	
		30	79	79	79	78	73	69	66	60	56	52	48	45	43	
		40	70	70	70	70	70	69	66	60	56	52	48	45	43	
		50	63	63	63	63	63	63	63	60	56	52	48	45	43	
		60	58	58	58	58	58	58	58	58	56	52	48	45	43	
		70	54	54	54	54	54	54	54	54	54	52	48	45	43	
		80	51	51	51	51	51	51	51	51	51	51	48	45	43	
		90	48	48	48	48	48	48	48	48	48	48	48	48	45	43
Zones 2e & 3		0	105	101	96	92	88	83	79	71	65	60	56	53	50	
		10	100	100	96	92	88	83	79	71	65	60	56	53	50	
		20	79	79	79	79	79	79	79	79	71	65	60	56	53	50
		30	79	79	79	79	79	79	79	79	71	65	60	56	53	50
		40	70	70	70	70	70	70	70	70	70	65	60	56	53	50
		50	63	63	63	63	63	63	63	63	63	63	60	56	53	50
		60	58	58	58	58	58	58	58	58	58	58	58	56	53	50
		70	54	54	54	54	54	54	54	54	54	54	54	54	53	50
		80	51	51	51	51	51	51	51	51	51	51	51	51	51	50
		90	48	48	48	48	48	48	48	48	48	48	48	48	48	48

Notes:

1. Tables are based on critical rail span for load combinations as specified in chapter 2 of the ASCE 7-16 and allowable design loads per the 2015 Aluminum Design Manual.
2. Panels are assumed to be in landscape orientation with a maximum width of 42"

Max Rail Spans for SunModo SMR100 System

Roof Wind Zone		Ground Snow Load (psf)	Wind Speed (mph)												
			90	95	100	105	110	115	120	130	140	150	160	170	180
Zone 1		0	118	118	118	115	110	106	102	96	90	83	77	72	67
		10	100	100	98	97	96	94	93	90	87	83	77	72	67
		20	79	79	79	79	79	78	77	76	74	72	70	69	67
		30	79	79	79	79	79	78	77	76	74	72	70	69	67
		40	70	70	70	70	70	70	70	69	68	66	65	64	63
		50	63	63	63	63	63	63	63	63	63	62	61	60	59
		60	58	58	58	58	58	58	58	58	58	58	57	57	56
		70	54	54	54	54	54	54	54	54	54	54	54	54	53
		80	51	51	51	51	51	51	51	51	51	51	51	51	51
		90	48	48	48	48	48	48	48	48	48	48	48	48	48
Zone 2r		0	104	99	94	91	86	81	76	68	63	59	55	51	48
		10	100	99	94	91	86	81	76	68	63	59	55	51	48
		20	79	79	79	79	79	78	76	68	63	59	55	51	48
		30	79	79	79	79	79	78	76	68	63	59	55	51	48
		40	70	70	70	70	70	70	70	68	63	59	55	51	48
		50	63	63	63	63	63	63	63	63	63	59	55	51	48
		60	58	58	58	58	58	58	58	58	58	58	55	51	48
		70	54	54	54	54	54	54	54	54	54	54	54	51	48
		80	51	51	51	51	51	51	51	51	51	51	51	51	48
		90	48	48	48	48	48	48	48	48	48	48	48	48	48
Zones 2e & 3		0	117	112	107	102	98	94	91	83	75	68	64	60	56
		10	100	100	98	97	96	94	91	83	75	68	64	60	56
		20	79	79	79	79	79	78	77	76	74	68	64	60	56
		30	79	79	79	79	79	78	77	76	74	68	64	60	56
		40	70	70	70	70	70	70	70	69	68	66	64	60	56
		50	63	63	63	63	63	63	63	63	63	62	61	60	56
		60	58	58	58	58	58	58	58	58	58	58	57	57	56
		70	54	54	54	54	54	54	54	54	54	54	54	54	53
		80	51	51	51	51	51	51	51	51	51	51	51	51	51
		90	48	48	48	48	48	48	48	48	48	48	48	48	48

Notes:

1. Tables are based on critical rail span for load combinations as specified in chapter 2 of the ASCE 7-16 and allowable design loads per the 2015 Aluminum Design Manual.
2. Panels are assumed to be in landscape orientation with a maximum width of 42"

Max Rail Spans for SunModo SMR100 System

Roof Wind Zone		Ground Snow Load (psf)	Wind Speed (mph)													
			90	95	100	105	110	115	120	130	140	150	160	170	180	
Zone 1		0	110	105	101	97	93	90	86	77	71	65	61	57	54	
		10	100	100	98	97	93	90	86	77	71	65	61	57	54	
		20	79	79	79	79	79	78	77	76	71	65	61	57	54	
		30	79	79	79	79	79	78	77	76	71	65	61	57	54	
		40	70	70	70	70	70	70	70	69	68	65	61	57	54	
		50	63	63	63	63	63	63	63	63	63	63	62	61	57	54
		60	58	58	58	58	58	58	58	58	58	58	58	57	57	54
		70	54	54	54	54	54	54	54	54	54	54	54	54	54	53
		80	51	51	51	51	51	51	51	51	51	51	51	51	51	51
		90	48	48	48	48	48	48	48	48	48	48	48	48	48	48
Zone 2r		0	85	79	74	69	66	63	60	55	51	47	44	42	39	
		10	85	79	74	69	66	63	60	55	51	47	44	42	39	
		20	79	79	74	69	66	63	60	55	51	47	44	42	39	
		30	79	79	74	69	66	63	60	55	51	47	44	42	39	
		40	70	70	70	69	66	63	60	55	51	47	44	42	39	
		50	63	63	63	63	63	63	60	55	51	47	44	42	39	
		60	58	58	58	58	58	58	58	55	51	47	44	42	39	
		70	54	54	54	54	54	54	54	54	51	47	44	42	39	
		80	51	51	51	51	51	51	51	51	51	47	44	42	39	
		90	48	48	48	48	48	48	48	48	48	47	44	42	39	
Zones 2e & 3		0	98	94	90	84	79	74	70	64	59	55	52	48	46	
		10	98	94	90	84	79	74	70	64	59	55	52	48	46	
		20	79	79	79	79	79	74	70	64	59	55	52	48	46	
		30	79	79	79	79	79	74	70	64	59	55	52	48	46	
		40	70	70	70	70	70	70	70	64	59	55	52	48	46	
		50	63	63	63	63	63	63	63	63	59	55	52	48	46	
		60	58	58	58	58	58	58	58	58	58	55	52	48	46	
		70	54	54	54	54	54	54	54	54	54	54	52	48	46	
		80	51	51	51	51	51	51	51	51	51	51	51	48	46	
		90	48	48	48	48	48	48	48	48	48	48	48	48	46	

Notes:

1. Tables are based on critical rail span for load combinations as specified in chapter 2 of the ASCE 7-16 and allowable design loads per the 2015 Aluminum Design Manual.
2. Panels are assumed to be in landscape orientation with a maximum width of 42"

Max Rail Spans for SunModo SMR100 System

Roof Wind Zone		Ground Snow Load (psf)	Wind Speed (mph)													
			90	95	100	105	110	115	120	130	140	150	160	170	180	
Zone 1		0	118	118	118	118	118	118	118	118	112	105	99	94	89	
		10	107	107	107	107	107	107	107	107	107	106	103	99	94	89
		20	92	92	92	92	92	92	92	92	91	90	88	86	84	82
		30	79	79	79	79	79	79	79	79	79	79	78	77	75	74
		40	70	70	70	70	70	70	70	70	70	70	70	70	69	68
		50	63	63	63	63	63	63	63	63	63	63	63	63	63	63
		60	58	58	58	58	58	58	58	58	58	58	58	58	58	58
		70	54	54	54	54	54	54	54	54	54	54	54	54	54	54
		80	51	51	51	51	51	51	51	51	51	51	51	51	51	51
		90	48	48	48	48	48	48	48	48	48	48	48	48	48	48
Zones 2e, 2r, & 3		0	118	118	118	118	118	113	109	101	95	90	83	76	71	
		10	107	107	107	107	107	107	107	107	101	95	90	83	76	71
		20	92	92	92	92	92	92	92	92	91	90	88	83	76	71
		30	79	79	79	79	79	79	79	79	79	79	78	77	75	71
		40	70	70	70	70	70	70	70	70	70	70	70	70	69	68
		50	63	63	63	63	63	63	63	63	63	63	63	63	63	63
		60	58	58	58	58	58	58	58	58	58	58	58	58	58	58
		70	54	54	54	54	54	54	54	54	54	54	54	54	54	54
		80	51	51	51	51	51	51	51	51	51	51	51	51	51	51
		90	48	48	48	48	48	48	48	48	48	48	48	48	48	48

Notes:

1. Tables are based on critical rail span for load combinations as specified in chapter 2 of the ASCE 7-16 and allowable design loads per the 2015 Aluminum Design Manual.
2. Panels are assumed to be in landscape orientation with a maximum width of 42"

Max Rail Spans for SunModo SMR100 System

Roof Wind Zone		Ground Snow Load (psf)	Wind Speed (mph)													
			90	95	100	105	110	115	120	130	140	150	160	170	180	
Zone 1		0	118	118	118	118	116	111	107	100	93	88	81	74	68	
		10	107	107	107	107	107	107	107	107	100	93	88	81	74	68
		20	92	92	92	92	92	92	92	92	91	90	88	81	74	68
		30	79	79	79	79	79	79	79	79	79	79	78	77	74	68
		40	70	70	70	70	70	70	70	70	70	70	70	70	69	68
		50	63	63	63	63	63	63	63	63	63	63	63	63	63	63
		60	58	58	58	58	58	58	58	58	58	58	58	58	58	58
		70	54	54	54	54	54	54	54	54	54	54	54	54	54	54
		80	51	51	51	51	51	51	51	51	51	51	51	51	51	51
		90	48	48	48	48	48	48	48	48	48	48	48	48	48	48
Zones 2e, 2r, & 3		0	118	112	107	102	98	95	91	84	76	69	64	60	56	
		10	107	107	107	102	98	95	91	84	76	69	64	60	56	
		20	92	92	92	92	92	92	91	84	76	69	64	60	56	
		30	79	79	79	79	79	79	79	79	76	69	64	60	56	
		40	70	70	70	70	70	70	70	70	70	69	64	60	56	
		50	63	63	63	63	63	63	63	63	63	63	63	63	60	56
		60	58	58	58	58	58	58	58	58	58	58	58	58	58	56
		70	54	54	54	54	54	54	54	54	54	54	54	54	54	54
		80	51	51	51	51	51	51	51	51	51	51	51	51	51	51
		90	48	48	48	48	48	48	48	48	48	48	48	48	48	48

Notes:

1. Tables are based on critical rail span for load combinations as specified in chapter 2 of the ASCE 7-16 and allowable design loads per the 2015 Aluminum Design Manual.
2. Panels are assumed to be in landscape orientation with a maximum width of 42"

Max Rail Spans for SunModo SMR100 System

Roof Wind Zone		Ground Snow Load (psf)	Wind Speed (mph)													
			90	95	100	105	110	115	120	130	140	150	160	170	180	
Zone 1		0	118	118	118	118	118	115	110	103	96	91	85	78	72	
		10	107	107	107	107	107	107	107	105	102	96	91	85	78	72
		20	92	92	92	92	91	90	89	87	85	83	81	78	72	
		30	79	79	79	79	79	79	79	79	77	76	74	73	71	69
		40	70	70	70	70	70	70	70	70	70	69	68	67	66	64
		50	63	63	63	63	63	63	63	63	63	63	63	62	61	60
		60	58	58	58	58	58	58	58	58	58	58	58	58	58	57
		70	54	54	54	54	54	54	54	54	54	54	54	54	54	54
		80	51	51	51	51	51	51	51	51	51	51	51	51	51	51
		90	48	48	48	48	48	48	48	48	48	48	48	48	48	48
Zones 2e, 2r, & 3		0	118	116	110	106	101	97	94	88	79	72	66	62	59	
		10	107	107	107	106	101	97	94	88	79	72	66	62	59	
		20	92	92	92	92	91	90	89	87	79	72	66	62	59	
		30	79	79	79	79	79	79	79	77	76	72	66	62	59	
		40	70	70	70	70	70	70	70	70	69	68	66	62	59	
		50	63	63	63	63	63	63	63	63	63	63	63	62	61	59
		60	58	58	58	58	58	58	58	58	58	58	58	58	58	57
		70	54	54	54	54	54	54	54	54	54	54	54	54	54	54
		80	51	51	51	51	51	51	51	51	51	51	51	51	51	51
		90	48	48	48	48	48	48	48	48	48	48	48	48	48	48

Notes:

1. Tables are based on critical rail span for load combinations as specified in chapter 2 of the ASCE 7-16 and allowable design loads per the 2015 Aluminum Design Manual.
2. Panels are assumed to be in landscape orientation with a maximum width of 42"

Max Rail Spans for SunModo SMR100 System

Roof Wind Zone		Ground Snow Load (psf)	Wind Speed (mph)													
			90	95	100	105	110	115	120	130	140	150	160	170	180	
Zone 1		0	118	114	108	104	99	96	92	85	77	70	65	61	57	
		10	107	107	107	104	99	96	92	85	77	70	65	61	57	
		20	92	92	92	92	91	90	89	85	77	70	65	61	57	
		30	79	79	79	79	79	79	79	77	76	70	65	61	57	
		40	70	70	70	70	70	70	70	70	69	68	65	61	57	
		50	63	63	63	63	63	63	63	63	63	63	63	62	61	57
		60	58	58	58	58	58	58	58	58	58	58	58	58	58	57
		70	54	54	54	54	54	54	54	54	54	54	54	54	54	54
		80	51	51	51	51	51	51	51	51	51	51	51	51	51	51
		90	48	48	48	48	48	48	48	48	48	48	48	48	48	48
Zones 2e, 2r, & 3		0	101	96	92	89	84	79	74	67	62	57	53	50	47	
		10	101	96	92	89	84	79	74	67	62	57	53	50	47	
		20	92	92	92	89	84	79	74	67	62	57	53	50	47	
		30	79	79	79	79	79	79	74	67	62	57	53	50	47	
		40	70	70	70	70	70	70	70	67	62	57	53	50	47	
		50	63	63	63	63	63	63	63	63	62	57	53	50	47	
		60	58	58	58	58	58	58	58	58	58	57	53	50	47	
		70	54	54	54	54	54	54	54	54	54	54	53	50	47	
		80	51	51	51	51	51	51	51	51	51	51	51	51	50	47
		90	48	48	48	48	48	48	48	48	48	48	48	48	48	47

Notes:

1. Tables are based on critical rail span for load combinations as specified in chapter 2 of the ASCE 7-16 and allowable design loads per the 2015 Aluminum Design Manual.
2. Panels are assumed to be in landscape orientation with a maximum width of 42"

Max Rail Spans for SunModo SMR100 System

Roof Wind Zone		Ground Snow Load (psf)	Wind Speed (mph)													
			90	95	100	105	110	115	120	130	140	150	160	170	180	
Zone 1		0	118	118	118	116	111	106	102	95	89	82	75	69	65	
		10	107	107	107	107	105	104	102	95	89	82	75	69	65	
		20	92	92	91	90	89	88	87	85	82	80	75	69	65	
		30	79	79	79	79	79	79	78	77	76	74	72	70	69	65
		40	70	70	70	70	70	70	70	70	69	68	66	65	64	62
		50	63	63	63	63	63	63	63	63	63	63	62	61	60	59
		60	58	58	58	58	58	58	58	58	58	58	58	57	57	56
		70	54	54	54	54	54	54	54	54	54	54	54	54	54	53
		80	51	51	51	51	51	51	51	51	51	51	51	51	51	51
		90	48	48	48	48	48	48	48	48	48	48	48	48	48	48
Zones 2e, 2r, & 3		0	112	107	102	98	94	91	87	78	71	65	61	57	54	
		10	107	107	102	98	94	91	87	78	71	65	61	57	54	
		20	92	92	91	90	89	88	87	78	71	65	61	57	54	
		30	79	79	79	79	79	78	77	76	71	65	61	57	54	
		40	70	70	70	70	70	70	70	69	68	65	61	57	54	
		50	63	63	63	63	63	63	63	63	63	63	62	61	57	54
		60	58	58	58	58	58	58	58	58	58	58	58	57	57	54
		70	54	54	54	54	54	54	54	54	54	54	54	54	54	53
		80	51	51	51	51	51	51	51	51	51	51	51	51	51	51
		90	48	48	48	48	48	48	48	48	48	48	48	48	48	48

Notes:

1. Tables are based on critical rail span for load combinations as specified in chapter 2 of the ASCE 7-16 and allowable design loads per the 2015 Aluminum Design Manual.
2. Panels are assumed to be in landscape orientation with a maximum width of 42"

Max Rail Spans for SunModo SMR100 System

Roof Wind Zone		Ground Snow Load (psf)	Wind Speed (mph)													
			90	95	100	105	110	115	120	130	140	150	160	170	180	
Zone 1		0	110	105	100	96	92	89	85	76	68	63	59	55	52	
		10	107	105	100	96	92	89	85	76	68	63	59	55	52	
		20	92	92	91	90	89	88	85	76	68	63	59	55	52	
		30	79	79	79	79	79	78	77	76	68	63	59	55	52	
		40	70	70	70	70	70	70	70	69	68	63	59	55	52	
		50	63	63	63	63	63	63	63	63	63	63	62	59	55	52
		60	58	58	58	58	58	58	58	58	58	58	58	57	55	52
		70	54	54	54	54	54	54	54	54	54	54	54	54	54	52
		80	51	51	51	51	51	51	51	51	51	51	51	51	51	51
		90	48	48	48	48	48	48	48	48	48	48	48	48	48	48
Zones 2e, 2r, & 3		0	94	90	85	79	74	70	66	61	56	52	49	46	43	
		10	94	90	85	79	74	70	66	61	56	52	49	46	43	
		20	92	90	85	79	74	70	66	61	56	52	49	46	43	
		30	79	79	79	79	74	70	66	61	56	52	49	46	43	
		40	70	70	70	70	70	70	66	61	56	52	49	46	43	
		50	63	63	63	63	63	63	63	61	56	52	49	46	43	
		60	58	58	58	58	58	58	58	58	56	52	49	46	43	
		70	54	54	54	54	54	54	54	54	54	52	49	46	43	
		80	51	51	51	51	51	51	51	51	51	51	49	46	43	
		90	48	48	48	48	48	48	48	48	48	48	48	46	43	

Notes:

1. Tables are based on critical rail span for load combinations as specified in chapter 2 of the ASCE 7-16 and allowable design loads per the 2015 Aluminum Design Manual.
2. Panels are assumed to be in landscape orientation with a maximum width of 42"

Max Rail Spans for SunModo SMR100 System

Roof Wind Zone		Ground Snow Load (psf)	Wind Speed (mph)														
			90	95	100	105	110	115	120	130	140	150	160	170	180		
Zone 1		0	118	118	118	118	118	118	118	118	114	106	99	91	85	79	
		10	107	107	107	107	107	107	107	107	107	107	106	99	91	85	79
		20	93	93	93	93	93	93	93	93	93	93	91	90	88	85	79
		30	81	81	81	81	81	81	81	81	81	81	81	80	79	78	76
		40	72	72	72	72	72	72	72	72	72	72	72	72	72	71	70
		50	66	66	66	66	66	66	66	66	66	66	66	66	66	66	65
		60	61	61	61	61	61	61	61	61	61	61	61	61	61	61	61
		70	57	57	57	57	57	57	57	57	57	57	57	57	57	57	57
		80	53	53	53	53	53	53	53	53	53	53	53	53	53	53	53
		90	51	51	51	51	51	51	51	51	51	51	51	51	51	51	51
Zone 2e		0	118	118	118	118	118	118	117	108	99	90	83	76	70		
		10	107	107	107	107	107	107	107	107	107	99	90	83	76	70	
		20	93	93	93	93	93	93	93	93	93	91	90	83	76	70	
		30	81	81	81	81	81	81	81	81	81	81	80	79	76	70	
		40	72	72	72	72	72	72	72	72	72	72	72	72	71	70	
		50	66	66	66	66	66	66	66	66	66	66	66	66	66	66	65
		60	61	61	61	61	61	61	61	61	61	61	61	61	61	61	61
		70	57	57	57	57	57	57	57	57	57	57	57	57	57	57	57
		80	53	53	53	53	53	53	53	53	53	53	53	53	53	53	53
		90	51	51	51	51	51	51	51	51	51	51	51	51	51	51	51
Zone 2r		0	118	118	118	116	111	107	102	92	84	77	71	66	62		
		10	107	107	107	107	107	107	107	102	92	84	77	71	66	62	
		20	93	93	93	93	93	93	93	93	92	84	77	71	66	62	
		30	81	81	81	81	81	81	81	81	81	81	77	71	66	62	
		40	72	72	72	72	72	72	72	72	72	72	72	71	66	62	
		50	66	66	66	66	66	66	66	66	66	66	66	66	66	66	62
		60	61	61	61	61	61	61	61	61	61	61	61	61	61	61	61
		70	57	57	57	57	57	57	57	57	57	57	57	57	57	57	57
		80	53	53	53	53	53	53	53	53	53	53	53	53	53	53	53
		90	51	51	51	51	51	51	51	51	51	51	51	51	51	51	51
Zone 3		0	118	118	118	117	111	106	101	90	81	74	68	63	59		
		10	107	107	107	107	107	106	101	90	81	74	68	63	59		
		20	93	93	93	93	93	93	93	93	90	81	74	68	63	59	
		30	81	81	81	81	81	81	81	81	81	81	74	68	63	59	
		40	72	72	72	72	72	72	72	72	72	72	72	68	63	59	
		50	66	66	66	66	66	66	66	66	66	66	66	66	63	59	
		60	61	61	61	61	61	61	61	61	61	61	61	61	61	59	
		70	57	57	57	57	57	57	57	57	57	57	57	57	57	57	
		80	53	53	53	53	53	53	53	53	53	53	53	53	53	53	
		90	51	51	51	51	51	51	51	51	51	51	51	51	51	51	

Notes:

1. Tables are based on critical rail span for load combinations as specified in chapter 2 of the ASCE 7-16 and allowable design loads per the 2015 Aluminum Design Manual.
2. Panels are assumed to be in landscape orientation with a maximum width of 42"

Max Rail Spans for SunModo SMR100 System

Roof Wind Zone		Ground Snow Load (psf)	Wind Speed (mph)													
			90	95	100	105	110	115	120	130	140	150	160	170	180	
Zone 1		0	118	118	118	115	110	106	101	92	84	77	71	66	63	
		10	107	107	107	107	107	106	101	92	84	77	71	66	63	
		20	93	93	93	93	93	93	93	92	84	77	71	66	63	
		30	81	81	81	81	81	81	81	81	81	77	71	66	63	
		40	72	72	72	72	72	72	72	72	72	72	71	66	63	
		50	66	66	66	66	66	66	66	66	66	66	66	66	66	63
		60	61	61	61	61	61	61	61	61	61	61	61	61	61	61
		70	57	57	57	57	57	57	57	57	57	57	57	57	57	57
		80	53	53	53	53	53	53	53	53	53	53	53	53	53	53
		90	51	51	51	51	51	51	51	51	51	51	51	51	51	51
Zone 2e		0	118	118	115	109	105	99	93	83	75	69	63	59	55	
		10	107	107	107	107	105	99	93	83	75	69	63	59	55	
		20	93	93	93	93	93	93	93	83	75	69	63	59	55	
		30	81	81	81	81	81	81	81	81	75	69	63	59	55	
		40	72	72	72	72	72	72	72	72	72	69	63	59	55	
		50	66	66	66	66	66	66	66	66	66	66	63	59	55	
		60	61	61	61	61	61	61	61	61	61	61	61	59	55	
		70	57	57	57	57	57	57	57	57	57	57	57	57	55	
		80	53	53	53	53	53	53	53	53	53	53	53	53	53	
		90	51	51	51	51	51	51	51	51	51	51	51	51	51	51
Zone 2r		0	111	106	100	94	88	83	79	71	65	60	56	52	49	
		10	107	106	100	94	88	83	79	71	65	60	56	52	49	
		20	93	93	93	93	88	83	79	71	65	60	56	52	49	
		30	81	81	81	81	81	81	79	71	65	60	56	52	49	
		40	72	72	72	72	72	72	72	71	65	60	56	52	49	
		50	66	66	66	66	66	66	66	66	65	60	56	52	49	
		60	61	61	61	61	61	61	61	61	61	60	56	52	49	
		70	57	57	57	57	57	57	57	57	57	57	56	52	49	
		80	53	53	53	53	53	53	53	53	53	53	53	52	49	
		90	51	51	51	51	51	51	51	51	51	51	51	51	49	
Zone 3		0	111	105	98	92	86	81	76	68	62	57	53	49	46	
		10	107	105	98	92	86	81	76	68	62	57	53	49	46	
		20	93	93	93	92	86	81	76	68	62	57	53	49	46	
		30	81	81	81	81	81	81	76	68	62	57	53	49	46	
		40	72	72	72	72	72	72	72	68	62	57	53	49	46	
		50	66	66	66	66	66	66	66	66	62	57	53	49	46	
		60	61	61	61	61	61	61	61	61	61	57	53	49	46	
		70	57	57	57	57	57	57	57	57	57	57	53	49	46	
		80	53	53	53	53	53	53	53	53	53	53	53	49	46	
		90	51	51	51	51	51	51	51	51	51	51	51	49	46	

Notes:

1. Tables are based on critical rail span for load combinations as specified in chapter 2 of the ASCE 7-16 and allowable design loads per the 2015 Aluminum Design Manual.
2. Panels are assumed to be in landscape orientation with a maximum width of 42"

Max Rail Spans for SunModo SMR100 System

Roof Wind Zone		Ground Snow Load (psf)	Wind Speed (mph)													
			90	95	100	105	110	115	120	130	140	150	160	170	180	
Zone 1		0	118	118	118	118	114	109	105	96	87	80	74	69	65	
		10	107	107	107	107	107	107	105	96	87	80	74	69	65	
		20	93	93	93	93	93	92	91	89	87	80	74	69	65	
		30	81	81	81	81	81	81	81	81	80	78	77	74	69	65
		40	72	72	72	72	72	72	72	72	72	72	70	69	68	65
		50	66	66	66	66	66	66	66	66	66	66	65	64	63	62
		60	61	61	61	61	61	61	61	61	61	61	61	61	60	59
		70	57	57	57	57	57	57	57	57	57	57	57	57	57	56
		80	53	53	53	53	53	53	53	53	53	53	53	53	53	53
		90	51	51	51	51	51	51	51	51	51	51	51	51	51	51
Zone 2e		0	118	118	118	113	108	103	97	87	79	72	66	62	58	
		10	107	107	107	107	107	103	97	87	79	72	66	62	58	
		20	93	93	93	93	93	92	91	87	79	72	66	62	58	
		30	81	81	81	81	81	81	81	81	80	78	72	66	62	58
		40	72	72	72	72	72	72	72	72	72	72	70	66	62	58
		50	66	66	66	66	66	66	66	66	66	66	65	64	62	58
		60	61	61	61	61	61	61	61	61	61	61	61	61	60	58
		70	57	57	57	57	57	57	57	57	57	57	57	57	57	56
		80	53	53	53	53	53	53	53	53	53	53	53	53	53	53
		90	51	51	51	51	51	51	51	51	51	51	51	51	51	51
Zone 2r		0	115	109	104	98	92	87	82	74	68	63	58	54	51	
		10	107	107	104	98	92	87	82	74	68	63	58	54	51	
		20	93	93	93	93	92	87	82	74	68	63	58	54	51	
		30	81	81	81	81	81	81	81	74	68	63	58	54	51	
		40	72	72	72	72	72	72	72	72	68	63	58	54	51	
		50	66	66	66	66	66	66	66	66	66	66	63	58	54	51
		60	61	61	61	61	61	61	61	61	61	61	61	58	54	51
		70	57	57	57	57	57	57	57	57	57	57	57	57	54	51
		80	53	53	53	53	53	53	53	53	53	53	53	53	53	51
		90	51	51	51	51	51	51	51	51	51	51	51	51	51	51
Zone 3		0	115	109	103	96	90	85	80	71	65	60	55	51	48	
		10	107	107	103	96	90	85	80	71	65	60	55	51	48	
		20	93	93	93	93	90	85	80	71	65	60	55	51	48	
		30	81	81	81	81	81	81	80	71	65	60	55	51	48	
		40	72	72	72	72	72	72	72	71	65	60	55	51	48	
		50	66	66	66	66	66	66	66	66	65	60	55	51	48	
		60	61	61	61	61	61	61	61	61	61	60	55	51	48	
		70	57	57	57	57	57	57	57	57	57	57	55	51	48	
		80	53	53	53	53	53	53	53	53	53	53	53	51	48	
		90	51	51	51	51	51	51	51	51	51	51	51	51	48	

Notes:

1. Tables are based on critical rail span for load combinations as specified in chapter 2 of the ASCE 7-16 and allowable design loads per the 2015 Aluminum Design Manual.
2. Panels are assumed to be in landscape orientation with a maximum width of 42"

Max Rail Spans for SunModo SMR100 System

Roof Wind Zone		Ground Snow Load (psf)	Wind Speed (mph)													
			90	95	100	105	110	115	120	130	140	150	160	170	180	
Zone 1		0	113	108	103	97	92	87	82	75	68	64	60	56	53	
		10	107	107	103	97	92	87	82	75	68	64	60	56	53	
		20	93	93	93	93	92	87	82	75	68	64	60	56	53	
		30	81	81	81	81	81	81	81	75	68	64	60	56	53	
		40	72	72	72	72	72	72	72	72	68	64	60	56	53	
		50	66	66	66	66	66	66	66	66	66	64	60	56	53	
		60	61	61	61	61	61	61	61	61	61	61	60	56	53	
		70	57	57	57	57	57	57	57	57	57	57	57	56	53	
		80	53	53	53	53	53	53	53	53	53	53	53	53	53	53
		90	51	51	51	51	51	51	51	51	51	51	51	51	51	51
Zone 2e		0	108	102	95	89	83	78	74	66	61	56	52	48	45	
		10	107	102	95	89	83	78	74	66	61	56	52	48	45	
		20	93	93	93	89	83	78	74	66	61	56	52	48	45	
		30	81	81	81	81	81	78	74	66	61	56	52	48	45	
		40	72	72	72	72	72	72	72	66	61	56	52	48	45	
		50	66	66	66	66	66	66	66	66	61	56	52	48	45	
		60	61	61	61	61	61	61	61	61	61	56	52	48	45	
		70	57	57	57	57	57	57	57	57	57	56	52	48	45	
		80	53	53	53	53	53	53	53	53	53	53	52	48	45	
		90	51	51	51	51	51	51	51	51	51	51	51	48	45	
Zone 2r		0	92	86	80	75	71	67	64	59	54	50	46	43	41	
		10	92	86	80	75	71	67	64	59	54	50	46	43	41	
		20	92	86	80	75	71	67	64	59	54	50	46	43	41	
		30	81	81	80	75	71	67	64	59	54	50	46	43	41	
		40	72	72	72	72	71	67	64	59	54	50	46	43	41	
		50	66	66	66	66	66	66	64	59	54	50	46	43	41	
		60	61	61	61	61	61	61	61	59	54	50	46	43	41	
		70	57	57	57	57	57	57	57	57	54	50	46	43	41	
		80	53	53	53	53	53	53	53	53	53	50	46	43	41	
		90	51	51	51	51	51	51	51	51	51	50	46	43	41	
Zone 3		0	90	83	77	72	68	64	61	55	51	47	43	40	32	
		10	90	83	77	72	68	64	61	55	51	47	43	40	32	
		20	90	83	77	72	68	64	61	55	51	47	43	40	32	
		30	81	81	77	72	68	64	61	55	51	47	43	40	32	
		40	72	72	72	72	68	64	61	55	51	47	43	40	32	
		50	66	66	66	66	66	64	61	55	51	47	43	40	32	
		60	61	61	61	61	61	61	61	55	51	47	43	40	32	
		70	57	57	57	57	57	57	57	55	51	47	43	40	32	
		80	53	53	53	53	53	53	53	53	51	47	43	40	32	
		90	51	51	51	51	51	51	51	51	51	47	43	40	32	

Notes:

1. Tables are based on critical rail span for load combinations as specified in chapter 2 of the ASCE 7-16 and allowable design loads per the 2015 Aluminum Design Manual.
2. Panels are assumed to be in landscape orientation with a maximum width of 42"

Max Rail Spans for SunModo SMR100 System

Table 144a		Mean Roof Height: $15 < h \leq 30$ ft											Panel Orientation: Landscape		
		Roof Angle: $27 < \theta \leq 45$ degrees											North/South Support $X_E = 1$		
		Exposure Category: D											Roof Type: Hip		
Roof Wind Zone	Ground Snow Load (psf)	Wind Speed (mph)													
		90	95	100	105	110	115	120	130	140	150	160	170	180	
Zone 1	0	118	118	115	110	105	100	95	86	79	72	67	63	60	
	10	107	107	107	107	105	100	95	86	79	72	67	63	60	
	20	93	93	93	92	91	90	89	86	79	72	67	63	60	
	30	81	81	81	81	81	80	80	78	76	72	67	63	60	
	40	72	72	72	72	72	72	72	71	70	69	67	63	60	
	50	66	66	66	66	66	66	66	66	65	64	63	62	60	
	60	61	61	61	61	61	61	61	61	61	60	59	58	57	
	70	57	57	57	57	57	57	57	57	57	57	57	56	56	55
	80	53	53	53	53	53	53	53	53	53	53	53	53	53	52
	90	51	51	51	51	51	51	51	51	51	51	51	51	51	50
Zone 2e	0	118	115	109	104	98	92	87	78	70	65	60	56	52	
	10	107	107	107	104	98	92	87	78	70	65	60	56	52	
	20	93	93	93	92	91	90	87	78	70	65	60	56	52	
	30	81	81	81	81	81	80	80	78	70	65	60	56	52	
	40	72	72	72	72	72	72	72	71	70	65	60	56	52	
	50	66	66	66	66	66	66	66	66	65	64	60	56	52	
	60	61	61	61	61	61	61	61	61	61	60	59	56	52	
	70	57	57	57	57	57	57	57	57	57	57	56	56	52	
	80	53	53	53	53	53	53	53	53	53	53	53	53	52	
	90	51	51	51	51	51	51	51	51	51	51	51	51	50	
Zone 2r	0	106	100	94	88	83	78	74	67	62	57	53	49	46	
	10	106	100	94	88	83	78	74	67	62	57	53	49	46	
	20	93	93	93	88	83	78	74	67	62	57	53	49	46	
	30	81	81	81	81	81	78	74	67	62	57	53	49	46	
	40	72	72	72	72	72	72	72	67	62	57	53	49	46	
	50	66	66	66	66	66	66	66	66	62	57	53	49	46	
	60	61	61	61	61	61	61	61	61	61	57	53	49	46	
	70	57	57	57	57	57	57	57	57	57	57	53	49	46	
	80	53	53	53	53	53	53	53	53	53	53	53	49	46	
	90	51	51	51	51	51	51	51	51	51	51	51	49	46	
Zone 3	0	106	98	92	85	80	75	71	64	58	54	50	46	43	
	10	106	98	92	85	80	75	71	64	58	54	50	46	43	
	20	93	93	92	85	80	75	71	64	58	54	50	46	43	
	30	81	81	81	81	80	75	71	64	58	54	50	46	43	
	40	72	72	72	72	72	72	71	64	58	54	50	46	43	
	50	66	66	66	66	66	66	66	64	58	54	50	46	43	
	60	61	61	61	61	61	61	61	61	58	54	50	46	43	
	70	57	57	57	57	57	57	57	57	57	54	50	46	43	
	80	53	53	53	53	53	53	53	53	53	53	50	46	43	
	90	51	51	51	51	51	51	51	51	51	51	50	46	43	

Notes:

1. Tables are based on critical rail span for load combinations as specified in chapter 2 of the ASCE 7-16 and allowable design loads per the 2015 Aluminum Design Manual.
2. Panels are assumed to be in landscape orientation with a maximum width of 42"

Max Rail Spans for SunModo SMR100 System

Roof Wind Zone		Ground Snow Load (psf)	Wind Speed (mph)												
			90	95	100	105	110	115	120	130	140	150	160	170	180
Zone 1		0	105	99	93	88	83	78	74	67	63	59	55	52	49
		10	105	99	93	88	83	78	74	67	63	59	55	52	49
		20	93	93	93	88	83	78	74	67	63	59	55	52	49
		30	81	81	81	81	81	78	74	67	63	59	55	52	49
		40	72	72	72	72	72	72	72	67	63	59	55	52	49
		50	66	66	66	66	66	66	66	66	63	59	55	52	49
		60	61	61	61	61	61	61	61	61	61	59	55	52	49
		70	57	57	57	57	57	57	57	57	57	57	55	52	49
		80	53	53	53	53	53	53	53	53	53	53	53	52	49
		90	51	51	51	51	51	51	51	51	51	51	51	51	49
Zone 2e		0	98	91	84	79	74	70	66	60	55	51	47	44	41
		10	98	91	84	79	74	70	66	60	55	51	47	44	41
		20	93	91	84	79	74	70	66	60	55	51	47	44	41
		30	81	81	81	79	74	70	66	60	55	51	47	44	41
		40	72	72	72	72	72	70	66	60	55	51	47	44	41
		50	66	66	66	66	66	66	66	60	55	51	47	44	41
		60	61	61	61	61	61	61	61	60	55	51	47	44	41
		70	57	57	57	57	57	57	57	57	55	51	47	44	41
		80	53	53	53	53	53	53	53	53	53	51	47	44	41
		90	51	51	51	51	51	51	51	51	51	51	47	44	41
Zone 2r		0	83	77	72	68	64	61	58	53	49	45	42	39	37
		10	83	77	72	68	64	61	58	53	49	45	42	39	37
		20	83	77	72	68	64	61	58	53	49	45	42	39	37
		30	81	77	72	68	64	61	58	53	49	45	42	39	37
		40	72	72	72	68	64	61	58	53	49	45	42	39	37
		50	66	66	66	66	64	61	58	53	49	45	42	39	37
		60	61	61	61	61	61	61	58	53	49	45	42	39	37
		70	57	57	57	57	57	57	57	53	49	45	42	39	37
		80	53	53	53	53	53	53	53	53	49	45	42	39	37
		90	51	51	51	51	51	51	51	51	49	45	42	39	37
Zone 3		0	80	74	69	65	61	58	55	50	46	42	39	31	29
		10	80	74	69	65	61	58	55	50	46	42	39	31	29
		20	80	74	69	65	61	58	55	50	46	42	39	31	29
		30	80	74	69	65	61	58	55	50	46	42	39	31	29
		40	72	72	69	65	61	58	55	50	46	42	39	31	29
		50	66	66	66	65	61	58	55	50	46	42	39	31	29
		60	61	61	61	61	61	58	55	50	46	42	39	31	29
		70	57	57	57	57	57	57	55	50	46	42	39	31	29
		80	53	53	53	53	53	53	53	50	46	42	39	31	29
		90	51	51	51	51	51	51	51	50	46	42	39	31	29

Notes:

1. Tables are based on critical rail span for load combinations as specified in chapter 2 of the ASCE 7-16 and allowable design loads per the 2015 Aluminum Design Manual.
2. Panels are assumed to be in landscape orientation with a maximum width of 42"