

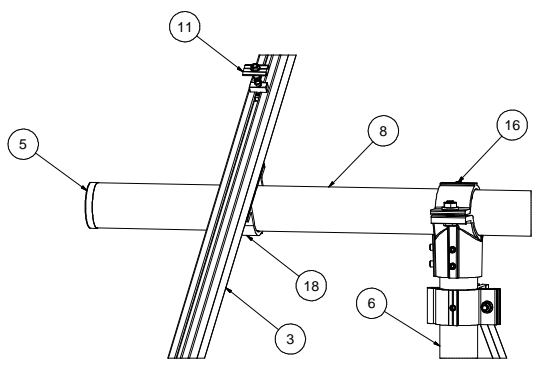
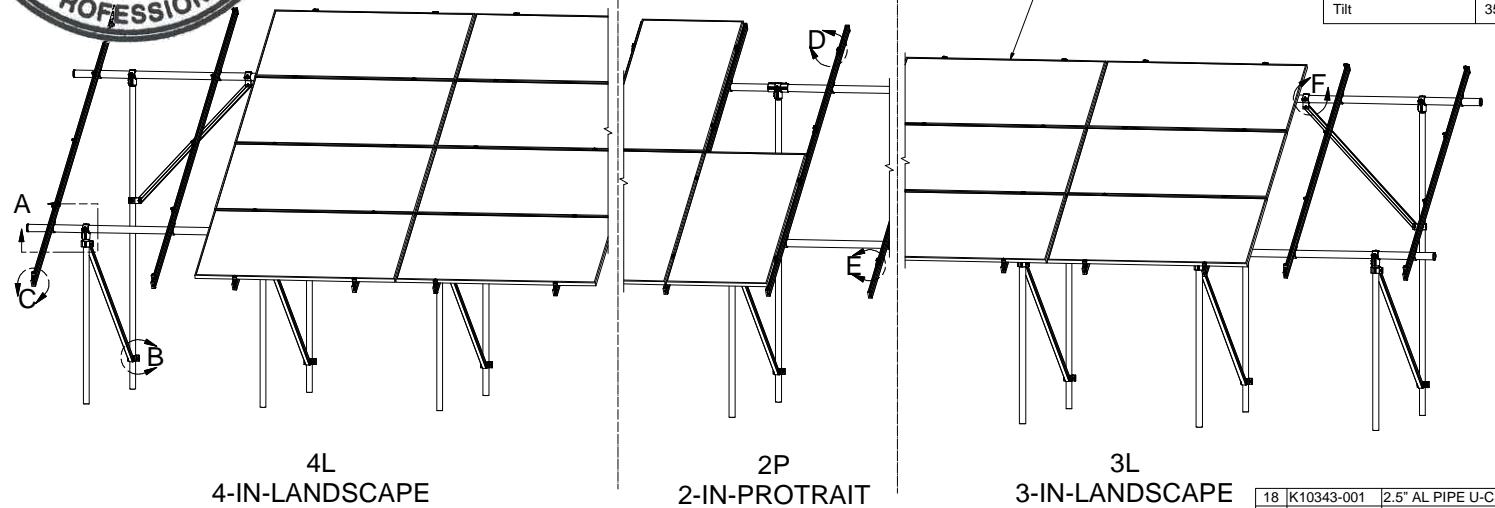


Firm License Number: COA0012807
 VSE Project Number: U2716-0217-201

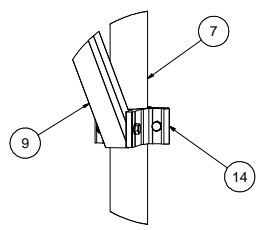
10/05/2020

Packet A7	
Model Code	ASCE 7-10
Exposure Category	C
Wind Speed	110 mph and Lower
Ground Snow Load	50 PSF and Lower
Tilt	35 DEG and Lower

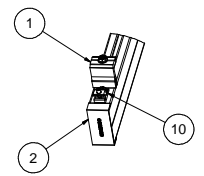
- NOTES:** UNLESS OTHERWISE SPECIFIED
- THIS DRAWING IS NOT FOR CONSTRUCTION UNTIL ENGINEERING HAS REVIEWED AND STAMPED THIS DOCUMENT.
 - DIMENSIONS SHOWN ARE INCHES.
 - THE SELF-BONDING SYSTEM AND SINGLE GROUND LUG IS FOR USE WITH PV MODULES THAT HAVE A MAXIMUM SERIES FUSE RATING OF 30A.
 - MATERIALS ARE AS SPECIFIED OR EQUIVALENT:
 HARDWARE: 304 STAINLESS STEEL
 FABRICATED EXTRUDED PARTS: 6005-T5 ALUMINUM ALLOY
 FABRICATED DIE CAST PARTS: ANSI/AA A380 ALUMINUM ALLOY
 STEEL PIPE: SCHEDULE 40 GALVANIZED
 ALUMINUM PIPE: SCHEDULE 10 ANODIZED
 - THE MAXIMUM PERMISSIBLE LENGTH OF ANY STRUCTURE SHALL BE 200 FT. FOR SYSTEMS USING A SHARED RAIL CONFIGURATION, A THERMAL BREAK IS REQUIRED IN THE RAIL EVERY 40 FT. PER THE DRAWING DETAILS.
 - 4LXN-3LXN-2PXN-35DEG-GSM-AGM-BGM-PGM.
 - APPROVED RAIL PROFILES
 A20288-XXX (HR300 RAIL), A20297-001 (END CAP), K10343-002 (U-CLAMP KIT), A20145-XXX (HR350 RAIL), A20285-001 (END CAP), K10343-001 (U-CLAMP KIT);
 - K10224-XXX END CLAMP KIT OR K10299-XXX ADJ. END CLAMP KIT.
 - FOUNDATION TYPES:
 GSM = GROUND SCREW GROUND MOUNT
 AGM = HELICAL AUGER GROUND MOUNT
 PGM = POST-IN-CONCRETE GROUND MOUNT
 BSM = BALLAST GROUND MOUNT



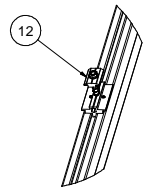
DETAIL A



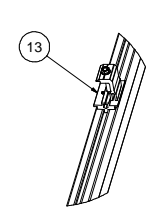
DETAIL B



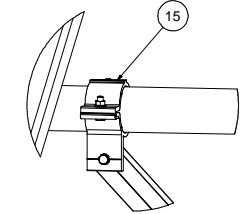
DETAIL C



DETAIL D



DETAIL E



DETAIL F

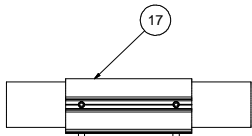
18	K10343-001	2.5" AL PIPE U-CLAMP KIT	
17	K10342-001	2.5" PIPE SPLICE KIT	
16	K10341-001	2.5" PIPE TEE KIT	
15	K10222-001	2.5" PIPE CLAMP KIT	
14	K10219-001	2" AL PIPE CLAMP KIT	
13	K10183-XXX	LANDSCAPE GROUNDING END CLAMP KIT	
12	K10182-001	LANDSCAPE GROUNDING MID CLAMP KIT	
11	K10180-001	GROUNDING MID-CLAMP KIT WITH T COLLAR BOLT AND GROUNDING BASE	
10	K10179-001	SELF-GROUNDING LUG KIT	
9	A50164-XXX	1.5" SQ. STL TUBE BRACE, L=XXX	
8	A21168-XXX	PIPE, HSS, 2.875" OD X 12 GAUGE, L=XXX	
7	A21165-XXX (REAR)	PIPE, HSS, 2.375" OD X 12 GAUGE, L=XXX	
6	A21165-XXX (FRONT)	PIPE, HSS, 2.375" OD X 12 GAUGE, L=XXX	
5	A20380-001	2.5" PIPE END CAP	
4		PANEL	
3		HELIO-RAIL. VARIES PER NOTE 7	
2		HELIO-RAIL END CAP. VARIES PER NOTE 7	
1		END CLAMP KIT. VARIES PER NOTE 8	

ITEM	PART NUMBER	DESCRIPTION	QTY
SunModo Corp. 14800 NE 65TH STREET, VANCOUVER WA 98662 TITLE: PACKET A7 DATE: 10/05/2020 CHECKED BY: KVV			
APPROVALS:		SCALE:	SHEET 1 of 4

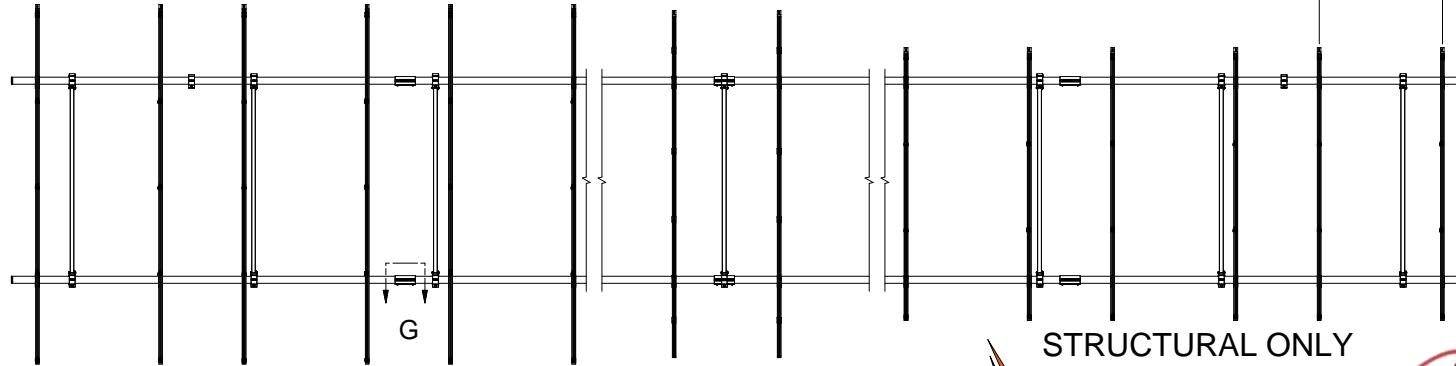
Vector Engineers requires that we review each site specific install and is not liable for installs at site specific locations we have not reviewed.

NOTES:
 1. DIMENSIONS LABELED AS MAX ARE MAXIMUM ALLOWABLE
 AND MAY RESULT IN END POSTS BEING OUTSIDE ARRAY EDGES.
 MAXIMUM DIMENSIONS MAY BE REDUCED IF DESIRED.

RAIL SPACING
 LANDSCAPE: PER PANEL MANUFACTURER
 PORTRAIT: PANEL WIDTH + 0.25"



DETAIL G



STRUCTURAL ONLY

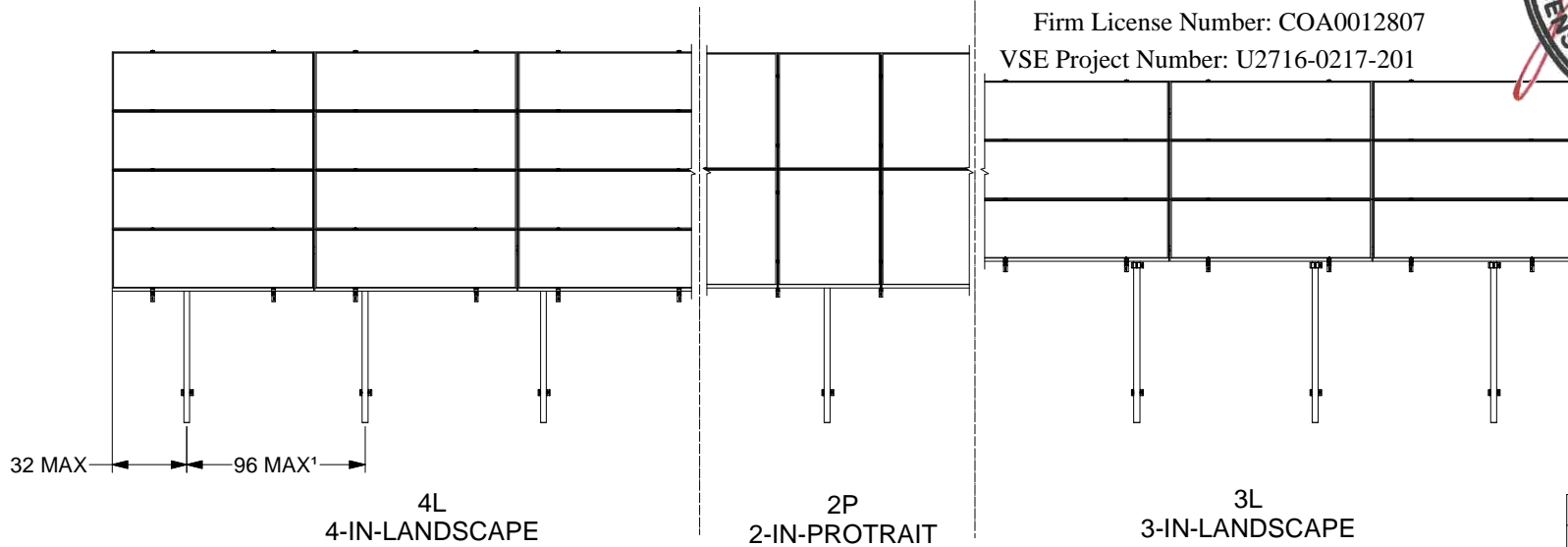


651 W. GALENA PARK BLVD. STE. 101 PHONE (801) 990-1775
 DRAPER, UTAH 84020 WWW.VECTORSE.COM

Firm License Number: COA0012807
 VSE Project Number: U2716-0217-201



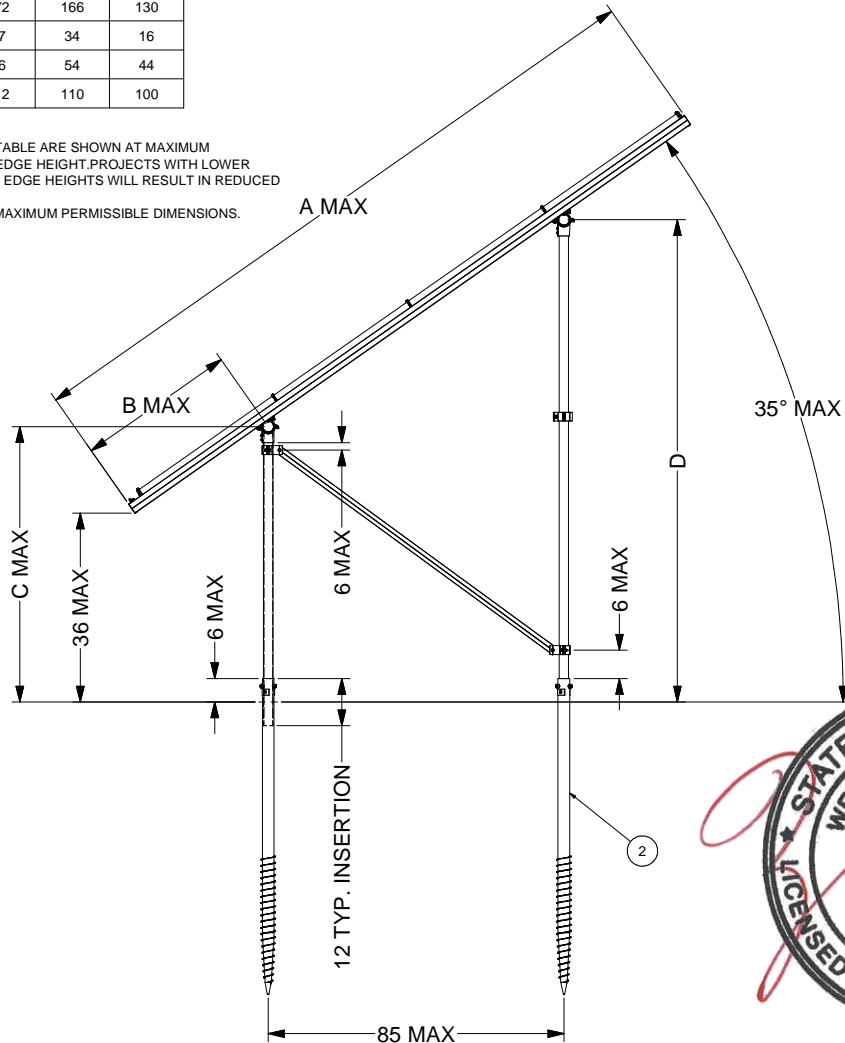
10/05/2020



SunModo Corp.	
TITLE	PACKET A7
D	DRAWING NUMBER
SCALE:	SHEET 2 of 4 REV

DIMENSIONS			
ITEM	4L	2P	3L
A	172	166	130
B	37	34	16
C	56	54	44
D	112	110	100

NOTES
 1. DIMENSIONS IN TABLE ARE SHOWN AT MAXIMUM TILT & LEADING EDGE HEIGHT. PROJECTS WITH LOWER TILTS & LEADING EDGE HEIGHTS WILL RESULT IN REDUCED DIMENSIONS.
 2. MAX DENOTES MAXIMUM PERMISSIBLE DIMENSIONS.



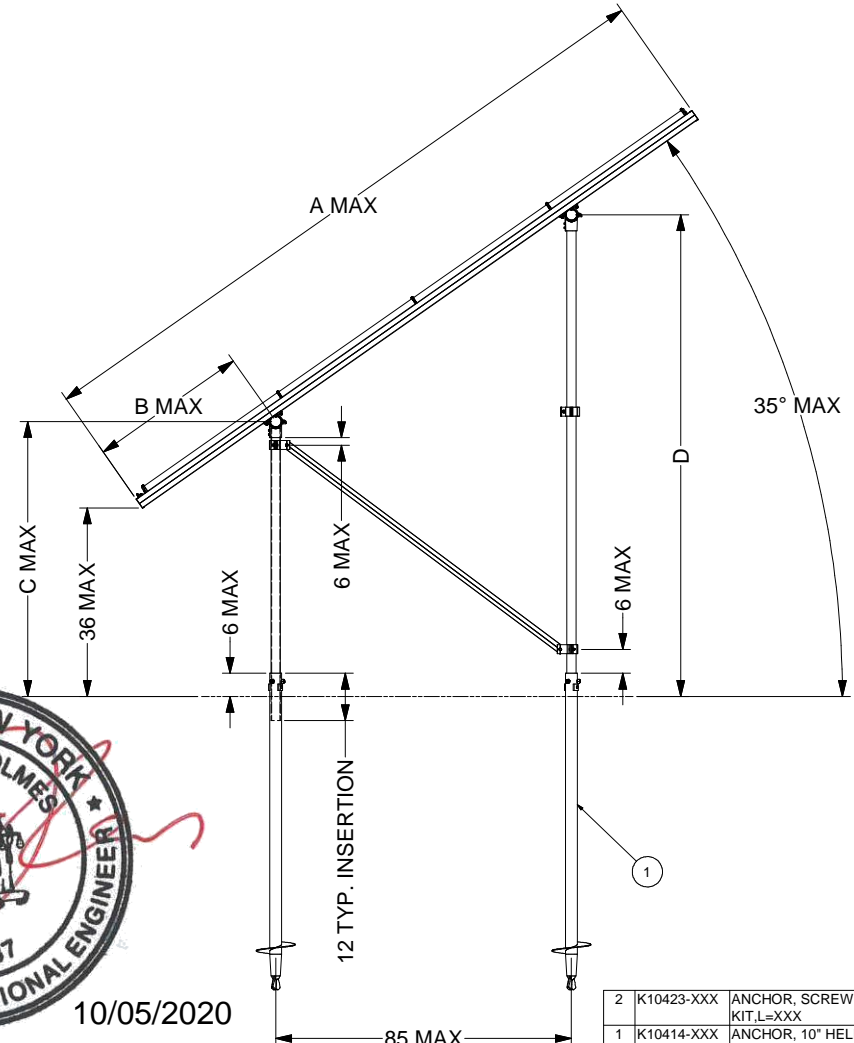
GROUND SCREW GROUND MOUNT (GSM)



10/05/2020

STRUCTURAL ONLY

Firm License Number: COA0012807
 VSE Project Number: U2716-0217-201



AUGER GROUND MOUNT (AGM)

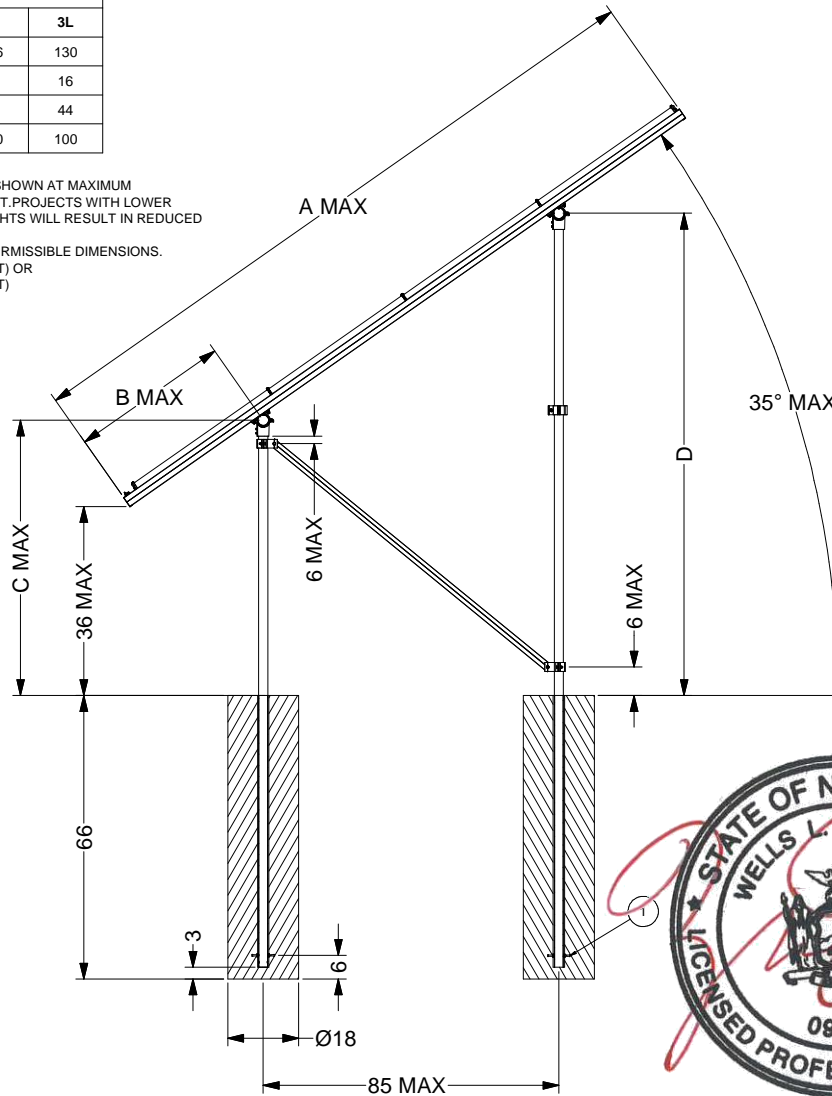
2	K10423-XXX	ANCHOR, SCREW AUGER KIT, L=XXX	
1	K10414-XXX	ANCHOR, 10" HELIX SCREW AUGER, L=XXX	
ITEM	PART NUMBER	DESCRIPTION	QTY
SunModo Corp.			
TITLE: PACKET A7			
D: DRAWING NUMBER			
SCALE: SHEET 3 of 4 REV			



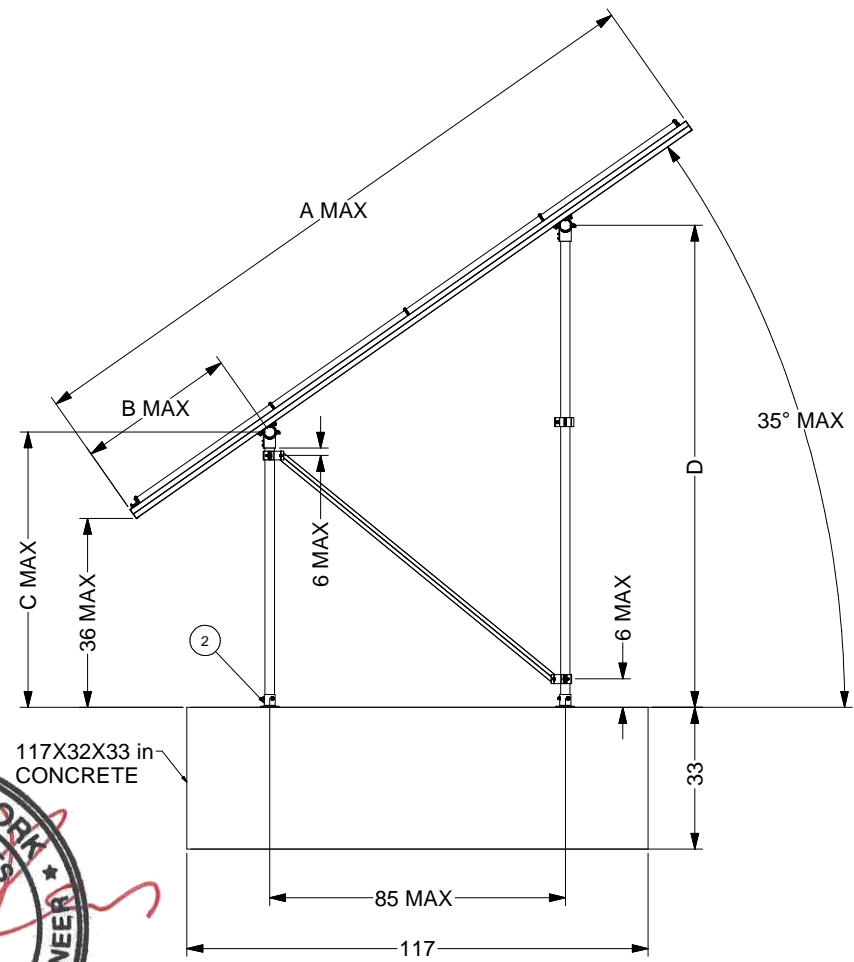
651 W. GALENA PARK BLVD. STE. 101 DRAPER, UTAH 84020 PHONE (801) 990-1775 WWW.VECTORSE.COM

DIMENSIONS			
ITEM	4L	2P	3L
A	172	166	130
B	37	34	16
C	56	54	44
D	112	110	100

- NOTES**
1. DIMENSIONS IN TABLE ARE SHOWN AT MAXIMUM TILT & LEADING EDGE HEIGHT. PROJECTS WITH LOWER TILTS & LEADING EDGE HEIGHTS WILL RESULT IN REDUCED DIMENSIONS.
 2. MAX DENOTES MAXIMUM PERMISSIBLE DIMENSIONS.
 3. K10268-005 (2" PIPE BASE KIT) OR K10302-001 (2" PIPE BASE KIT)



POST-IN-CONCRETE GROUND MOUNT (PGM)



BALLAST GROUND MOUNT (BGM)



10/05/2020

STRUCTURAL ONLY
 Firm License Number: COA0012807
 VSE Project Number: U2716-0217-201



2		POST BASE. VARIES PER NOTE	
3			
1	K10186-001	EMBEDDED 2.0" PIPE CLAMP KIT	
ITEM	PART NUMBER	DESCRIPTION	QTY
SunModo Corp.			
TITLE: PACKET A7			
D DRAWING NUMBER			
SCALE:		SHEET 4 of 4	REV