



SunModo Grounding Lug K10179-001

### Installation instructions for attaching the K10179-001 Grounding Lug to SunModo Rails

Please read carefully before installing.

Product is tested to UL 467 and is recognized to UL 2703 standards for safety grounding and bonding equipment.

The SunModo Grounding Lug can be used to bond anodized aluminum to a copper wire electrode. All installations shall be in accordance with NEC requirements in the USA. The Grounding Lug is for use with PV modules that have a maximum series fuse rating of 30A.

#### Installation Procedure:

1. Inspect the module frames and the racking system to be sure that there are no hindrances which would prevent the Grounding Lug from being mounted on the rail. Note that the Grounding Lug can be mounted either on the top 1/4" slot or the side 1/4" slot of the Standard Rail or Heavy Rail.
2. It is suggested that use of an anti-seize lubricant be used on all stainless screw parts.
3. Align the Grounding Lug for the desired orientation on the rail top or side. Visually insure that the Lug Mounting T-bolt, Spacer, and Flange Nut are installed in the order shown in the exploded diagram. Turn the T-bolt 90 degrees in the slot to engage the rail, and then tighten the Flange Nut.

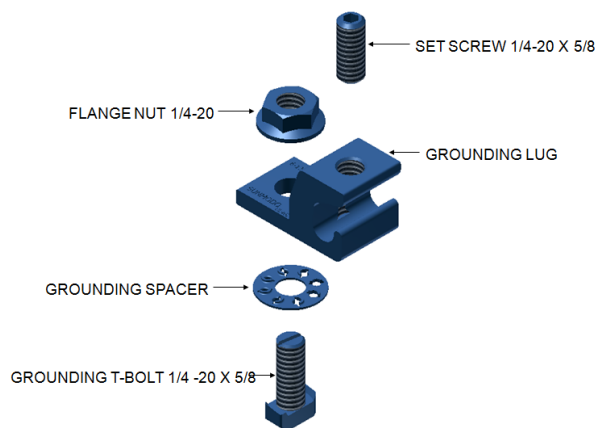


Figure 1: Grounding Lug Exploded View

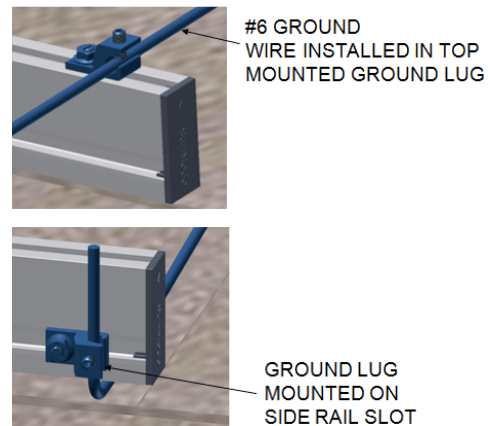


Figure 2: Installation of the ground wire

4. Once the position of the Grounding Lug is established, the mounting nut should be **torqued to a final value of 7.5 ft. lbs.** The setscrew should be **torqued to 50 in. lbs.**

#### Notes:

1. The NEC section pertaining to PV installations section 690.43 states that "Exposed non-current carrying metal parts of module frames, equipment, and conductor enclosures shall be grounded in accordance with 250.134 or 250.136(A) regardless of voltage."
2. The Grounding Lug is intended for a single use after final torque values are reached, and is designed to terminate or pass thru: #6 thru #12 AGW cable, either solid or stranded, including #6 thru #12 THNN or THWN jacketed cable.

SunModo Corp  
 14800 NE 65<sup>th</sup> Street | Vancouver, WA 98682 | 360-844-0048  
 Document Number D10003-V004-CSA | ©2017 – SunModo Corp.



ETL CLASSIFIED

