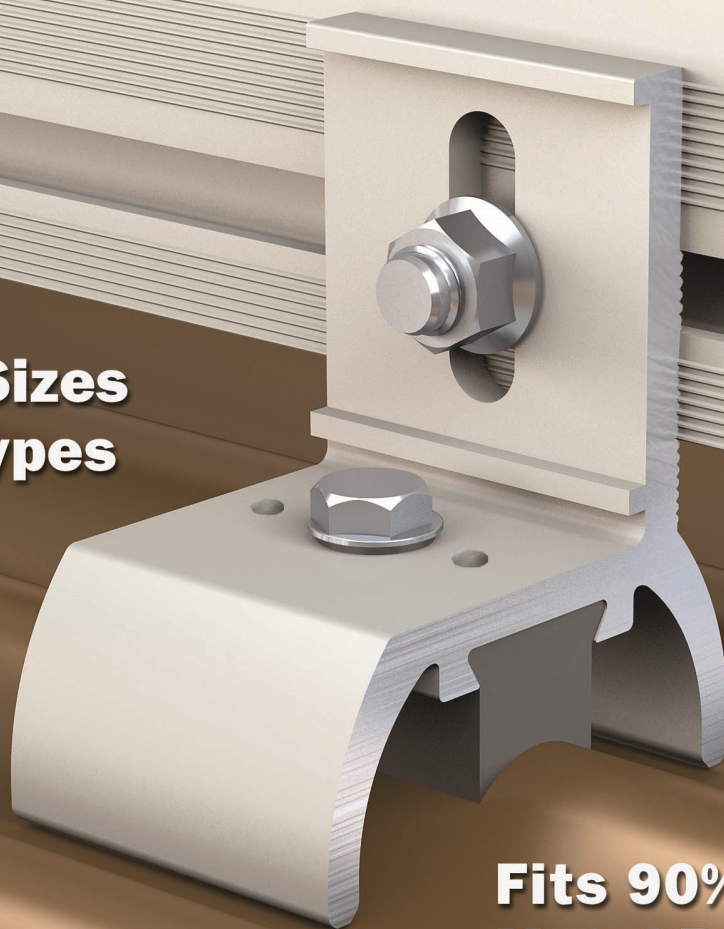




Ridge Bridge Mount **for Rolled Metal Roofs**

3 Bracket Sizes
2 Gasket Types



**Fits 90% of All Rolled
Metal Roof Profiles!**

The Next Generation
in Metal Roof Mounts!



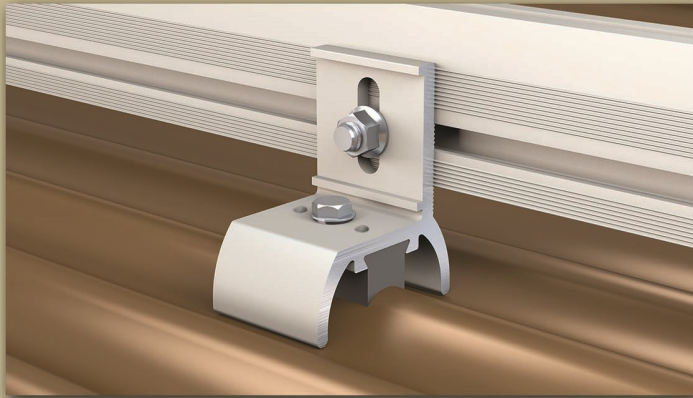
1905 E 5th St., Ste. A
Vancouver, WA 98661

Phone: 360-844-0048 www.sunmodo.com

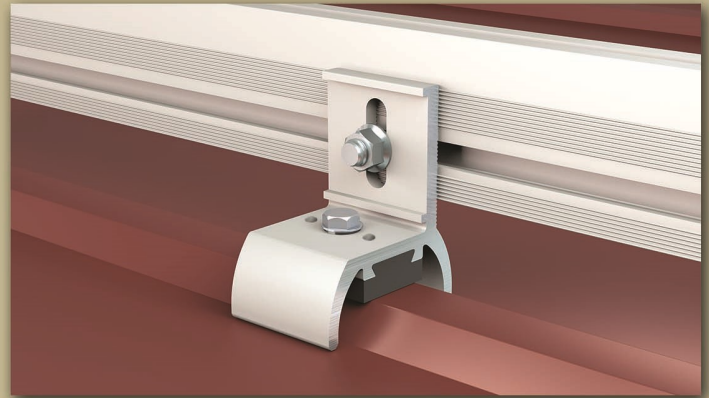
Ridge Bridge Mount

Patent #: US 8424821

for Rolled Metal Roofs



K10211-XXX (shown with corrugated roof gasket)



K10212-XXX (shown with barn roof gasket)

Designed for maximum flexibility;
3 bracket sizes fit almost any rolled
metal roof profile.

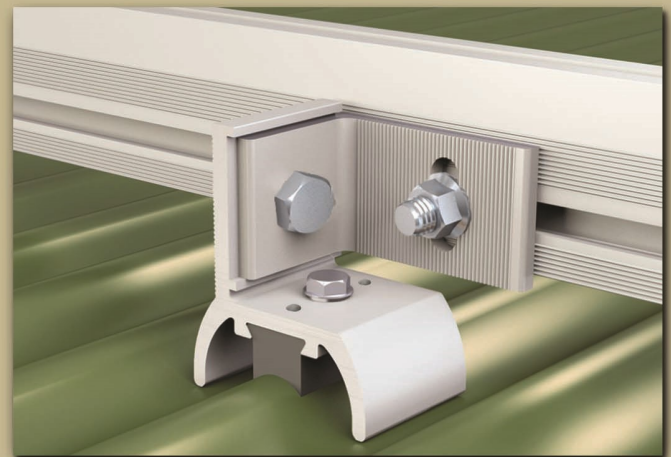
Single screw penetration mount on
wood or metal purlins for fast and
easy installation.

Choice of 2 EPDM gaskets for a
superior water tight seal.

The vertical slot feature provides
adjustment to the solar array when
roofing is uneven.

Durable aluminum anodizing finish for
increased weather corrosion resistance.

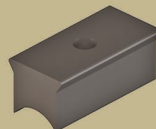
Combine with L-Adaptor (K10066-016)
to change the orientation
of rail at right angles to corrugations



All kits come complete with the following parts:



1 - Corrugated Roof Mount
(Choice of 3 Sizes)



1 - Roof Mount Gasket
(Choice of 2 Types)



1 - Lag Bolt 5/16 X 5"
& 1 Sealing Washer

1 - T-Bolt & 1 - Flange Nut



1905 E 5th St., Ste. A
Vancouver, WA 98661

Phone: 360-844-0048 www.sunmodo.com