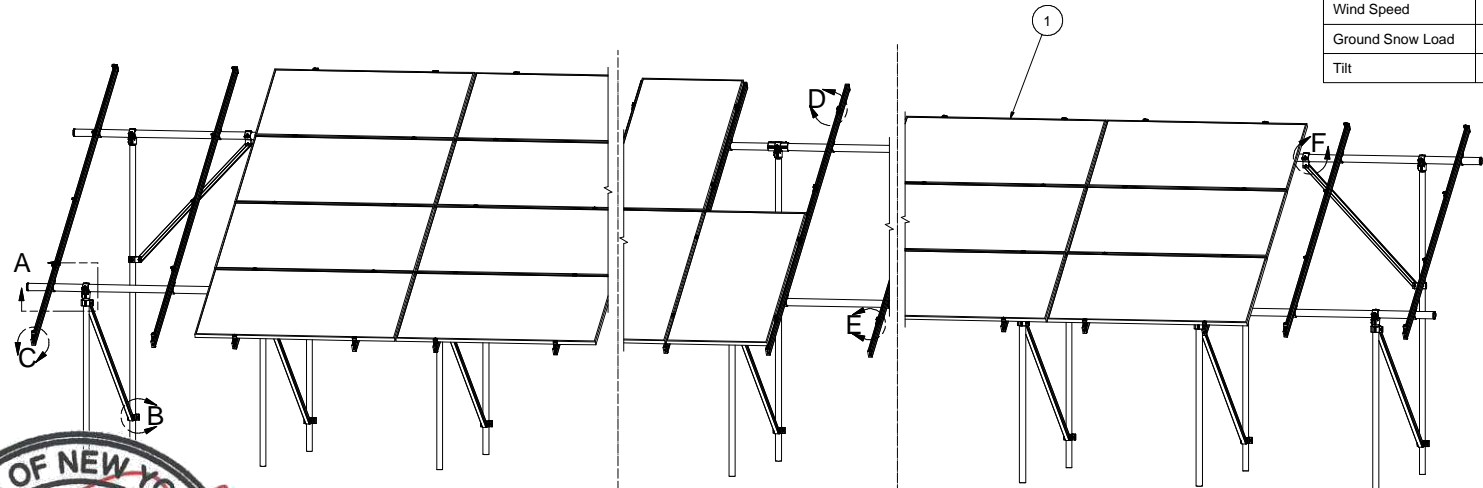


NOTES: UNLESS OTHERWISE SPECIFIED

- THIS DRAWING IS NOT FOR CONSTRUCTION UNTIL ENGINEERING HAS REVIEWED AND STAMPED THIS DOCUMENT.
- DIMENSIONS SHOWN ARE INCHES.
- THE SELF-BONDING SYSTEM AND SINGLE GROUND LUG IS FOR USE WITH PV MODULES THAT HAVE A MAXIMUM SERIES FUSE RATING OF 30A.
- MATERIALS ARE AS SPECIFIED OR EQUIVALENT:
HARDWARE: 304 STAINLESS STEEL
FABRICATED EXTRUDED PARTS: 6005-T5 ALUMINUM ALLOY
FABRICATED DIE CAST PARTS: ANSI/AA A380 ALUMINUM ALLOY
STEEL PIPE: SCHEDULE 40 GALVANIZED
ALUMINUM PIPE: SCHEDULE 10 ANODIZED
- THE MAXIMUM PERMISSIBLE LENGTH OF ANY STRUCTURE SHALL BE 200 FT. FOR SYSTEMS USING A SHARED RAIL CONFIGURATION, A THERMAL BREAK IS REQUIRED IN THE RAIL EVERY 40 FT. PER THE DRAWING DETAILS.
- 4LXN-3LXN-2PXN-35DEG-GSM-AGM-BGM-PGM.
- APPROVED RAIL PROFILES
A20288-XXX (HR300 RAIL), A20297-001 (END CAP), K10343-002 (U-CLAMP KIT);
A20145-XXX (HR350 RAIL), A20285-001 (END CAP), K10343-001 (U-CLAMP KIT).
- K10224-XXX END CLAMP KIT OR K10299-XXX ADJ. END CLAMP KIT.
- FOUNDATION TYPES:
GSM = GROUND SCREW GROUND MOUNT
AGM = HELICAL AUGER GROUND MOUNT
PGM = POST-IN-CONCRETE GROUND MOUNT
BSM = BALLAST GROUND MOUNT



08/05/2019

4L 4-IN-LANDSCAPE
Firm License Number: COA0012807
VSE Project Number: U2716-092-191

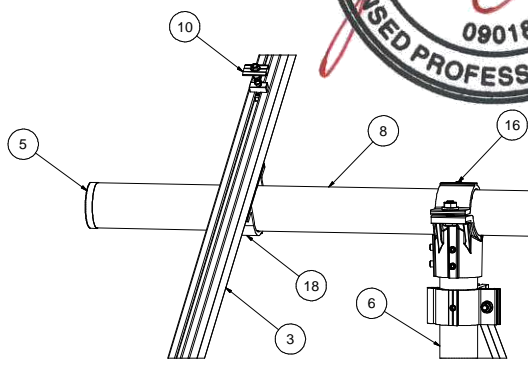
STRUCTURAL ONLY



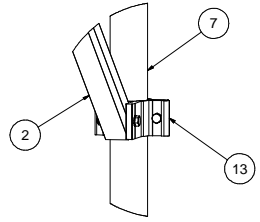
651 W. GALENA PARK BLVD., STE. 101 DRAPER, UTAH 84020
PHONE (801) 990-1775
WWW.VECTORSE.COM

PACKET A2	
Model Code	ASCE 7-05
Exposure Category	C and Lower
Wind Speed	115 mph and Lower
Ground Snow Load	30 PSF and Lower
Tilt	35 DEG and Lower

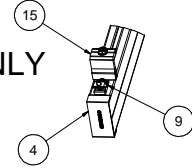
18	K10343-001	2.5" AL PIPE U-CLAMP KIT	
17	K10342-001	2.5" PIPE SPLICE KIT	
16	K10341-001	2.5" PIPE TEE KIT	
15		END CLAMP KIT. VARIES PER NOTE 8	
14	K10222-001	2.5" PIPE CLAMP KIT	
13	K10219-001	2" AL PIPE CLAMP KIT	
12	K10183-XXX	LANDSCAPE GROUNDING END CLAMP KIT	
11	K10182-001	LANDSCAPE GROUNDING MID CLAMP KIT	
10	K10180-001	GROUNDING MID-CLAMP KIT WITH T COLLAR BOLT AND GROUNDING BASE	
9	K10179-001	SELF-GROUNDING LUG KIT	
8	A21168-XXX	PIPE, HSS, 2.875" OD X 12 GAUGE, L=XXX	
7	A21165-XXX (REAR)	PIPE, HSS, 2.375" OD X 12 GAUGE, L=XXX	
6	A21165-XXX (FRONT)	PIPE, HSS, 2.375" OD X 12 GAUGE, L=XXX	
5	A20380-001	2.5" PIPE END CAP	
4		HELIO RAIL END CAP. VARIES PER NOTE 7	
3		HELIO RAIL. VARIES PER NOTE 7	
2	A50164-XXX	1.5" SQ. STL TUBE BRACE, L=XXX	
1		PANEL	



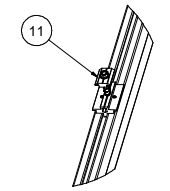
DETAIL A



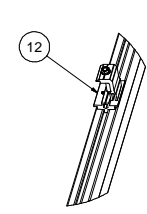
DETAIL B



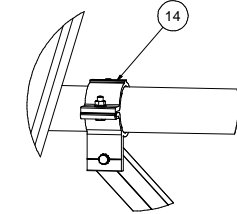
DETAIL C



DETAIL D



DETAIL E



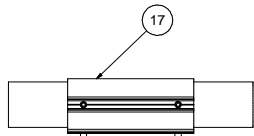
DETAIL F

ITEM	PART NUMBER	DESCRIPTION	QTY
MATERIALS: SEE BOM			
Third Angle Projection			
PERSONAL USE ONLY (Not for Redistribution)			
14800 NE 65TH STREET, VANCOUVER WA 98682			
TITLE		PACKET A2	
DATE		08/01/2019	
DRAWN BY		D	
CHECKED BY		D	
APPROVALS		SCALE:	

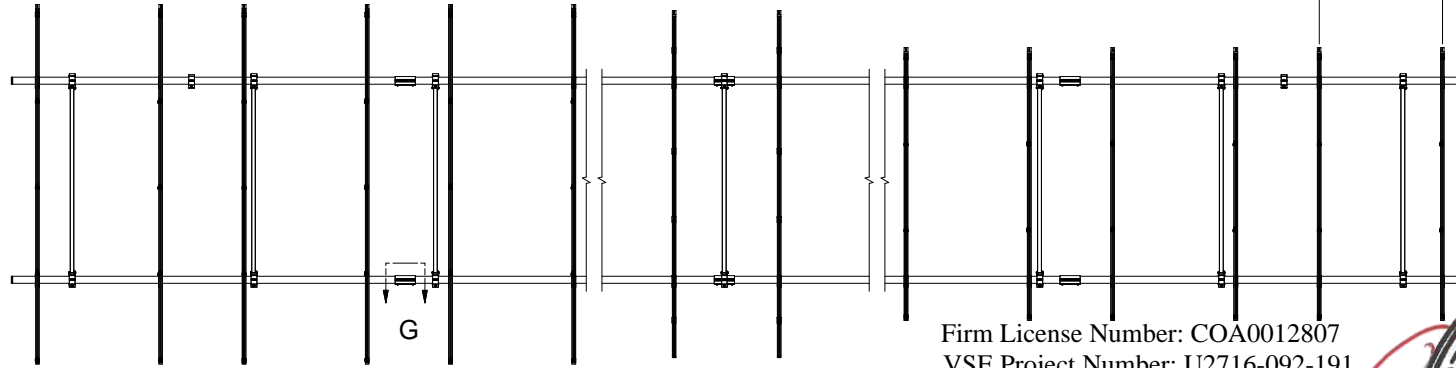
THIS DRAWING IS CONFIDENTIAL PROPERTY OF SUNMODO AND ITS CONTENTS MAY NOT BE DISCLOSED WITHOUT THE PRIOR WRITTEN CONSENT OF SUNMODO CORP.

NOTES:
 1. DIMENSIONS LABELED AS MAX ARE MAXIMUM ALLOWABLE
 AND MAY RESULT IN END POSTS BEING OUTSIDE ARRAY EDGES.
 MAXIMUM DIMENSIONS MAY BE REDUCED IF DESIRED.

RAIL SPACING
 LANDSCAPE: PER PANEL MANUFACTURER
 PORTRAIT: PANEL WIDTH + 0.25"



DETAIL G



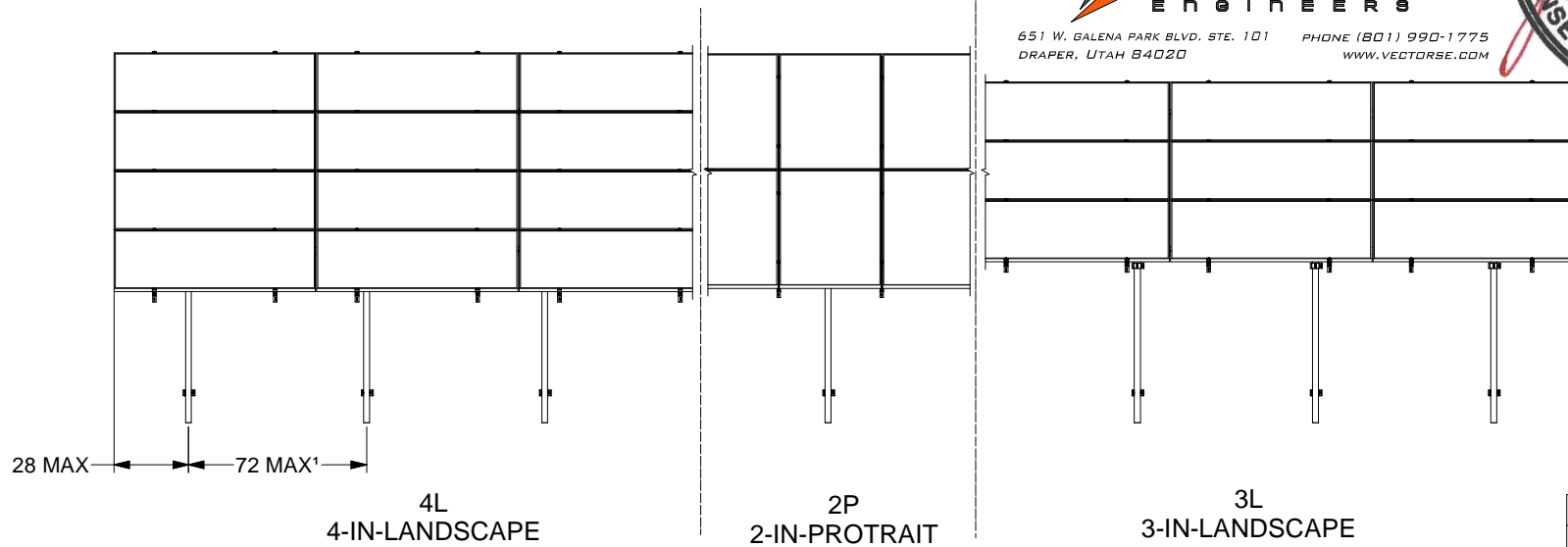
Firm License Number: COA0012807
 VSE Project Number: U2716-092-191



651 W. GALENA PARK BLVD., STE. 101 DRAPER, UTAH 84020
 PHONE (801) 990-1775 WWW.VECTORSE.COM



08/05/2019



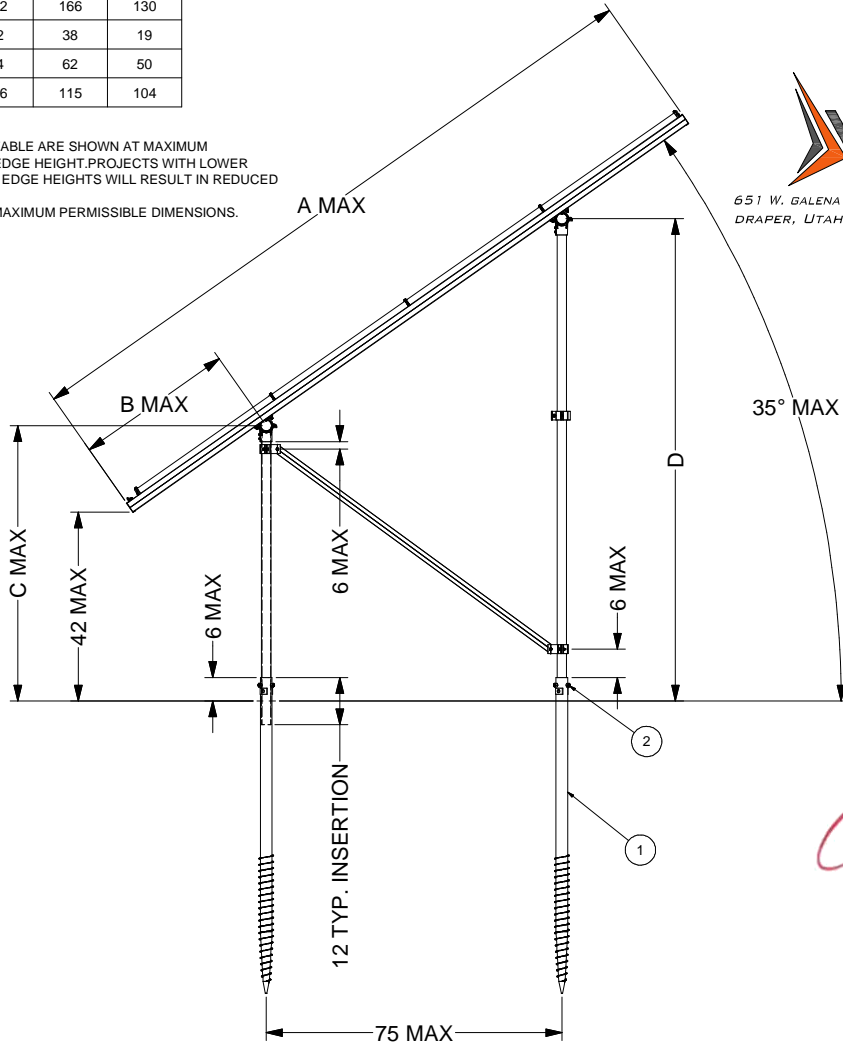
SunModo Corp.	
TITLE	PACKET A2
D	DRAWING NUMBER
SCALE:	SHEET 2 of 4 REV

DIMENSIONS			
ITEM	4L	2P	3L
A	172	166	130
B	42	38	19
C	64	62	50
D	116	115	104

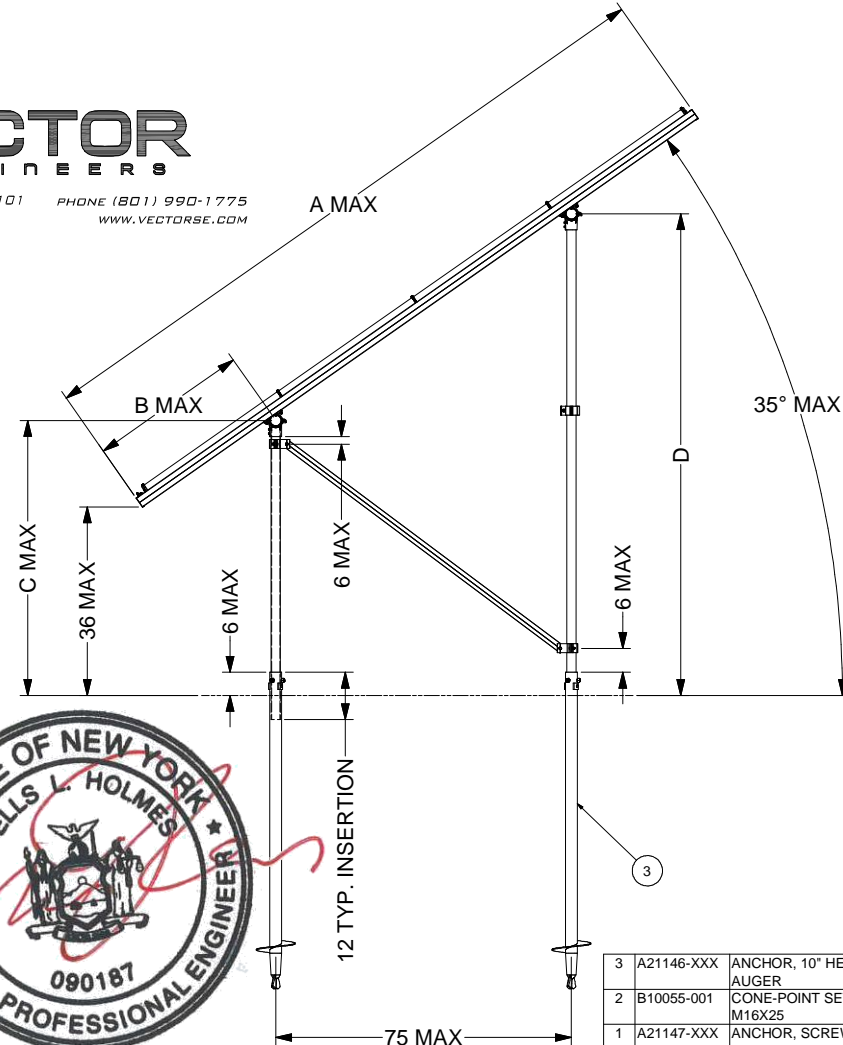
NOTES
 1. DIMENSIONS IN TABLE ARE SHOWN AT MAXIMUM TILT & LEADING EDGE HEIGHT. PROJECTS WITH LOWER TILTS & LEADING EDGE HEIGHTS WILL RESULT IN REDUCED DIMENSIONS.
 2. MAX DENOTES MAXIMUM PERMISSIBLE DIMENSIONS.



651 W. GALENA PARK BLVD. STE. 101 DRAPER, UTAH 84020
 PHONE (801) 990-1775
 WWW.VECTORSE.COM



GROUND SCREW GROUND MOUNT (GSM)



AUGER GROUND MOUNT (AGM)



STRUCTURAL ONLY 08/05/2019
 Firm License Number: COA0012807
 VSE Project Number: U2716-092-191

ITEM	PART NUMBER	DESCRIPTION	QTY
3	A21146-XXX	ANCHOR, 10" HELIX BLADE AUGER	
2	B10055-001	CONE-POINT SET SCREW M16X25	
1	A21147-XXX	ANCHOR, SCREW AUGER, L=XXX	

SunModo Corp.

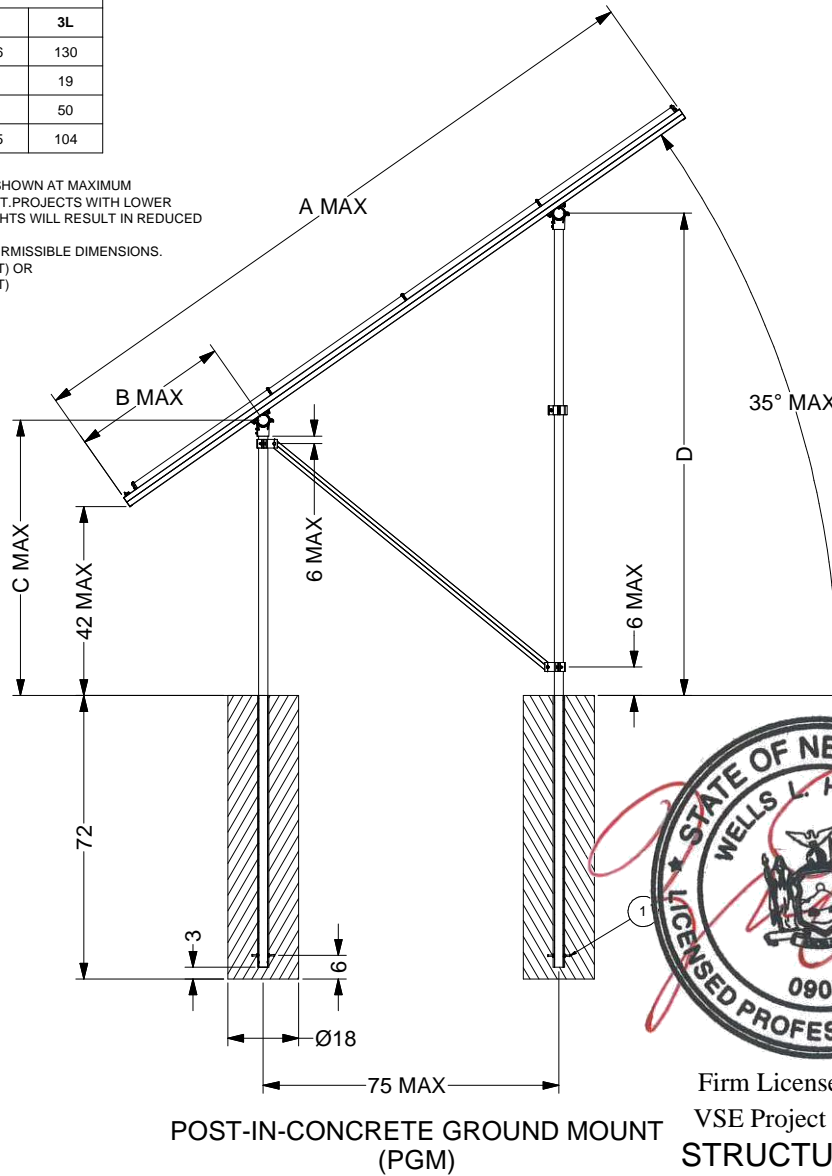
TITLE: PACKET A2

D: DRAWING NUMBER

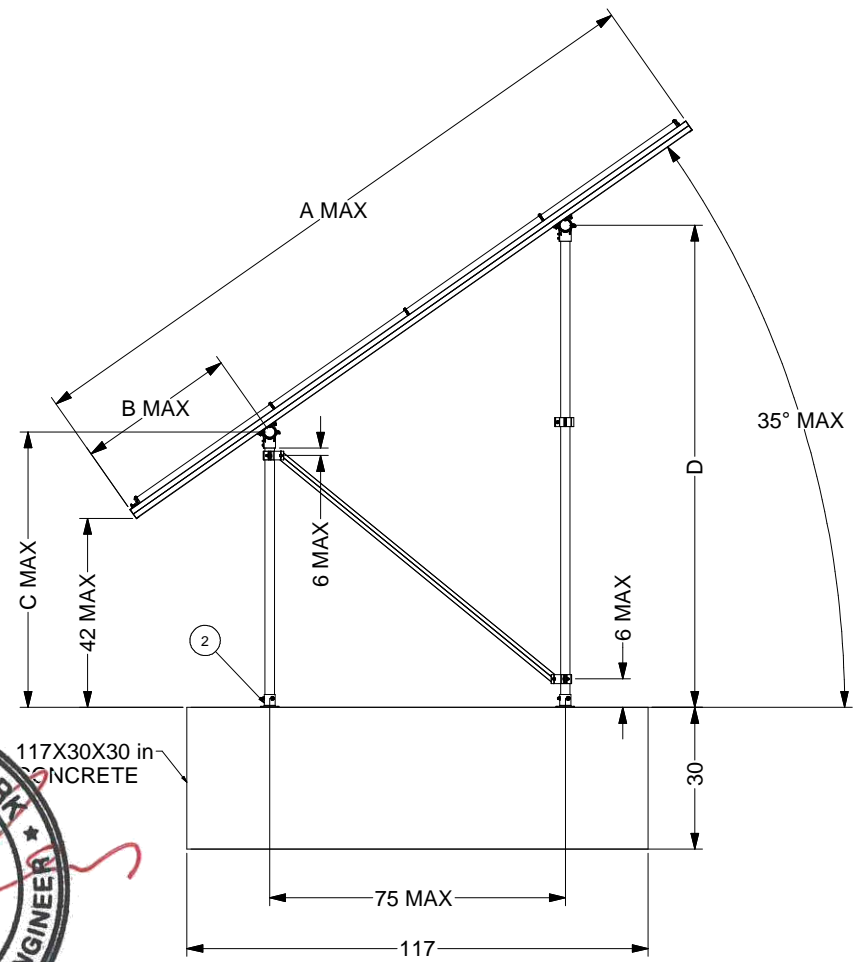
SCALE: SHEET 3 of 4 REV

DIMENSIONS			
ITEM	4L	2P	3L
A	172	166	130
B	42	38	19
C	64	62	50
D	116	115	104

- NOTES**
1. DIMENSIONS IN TABLE ARE SHOWN AT MAXIMUM TILT & LEADING EDGE HEIGHT. PROJECTS WITH LOWER TILTS & LEADING EDGE HEIGHTS WILL RESULT IN REDUCED DIMENSIONS.
 2. MAX DENOTES MAXIMUM PERMISSIBLE DIMENSIONS.
 3. K10268-005 (2" PIPE BASE KIT) OR K10302-001 (2" PIPE BASE KIT)



POST-IN-CONCRETE GROUND MOUNT (PGM)



BALLAST GROUND MOUNT (BGM)



08/05/2019

Firm License Number: COA0012807
 VSE Project Number: U2716-092-191
 STRUCTURAL ONLY



651 W. GALENA PARK BLVD. STE. 101 DRAPER, UTAH 84020
 PHONE (801) 990-1775 WWW.VECTORSE.COM

2		POST BASE. VARIES PER NOTE	
3		EMBEDDED 2.0" PIPE CLAMP KIT	
1	K10186-001	EMBEDDED 2.0" PIPE CLAMP KIT	
ITEM	PART NUMBER	DESCRIPTION	QTY
SunModo Corp.			
TITLE: PACKET A2			
D		DRAWING NUMBER	
SCALE:		SHEET 4 of 4	REV