

**Installation Instructions for attaching the
 SunModo EZ Roof Mount with Conduit Clamp Kit to composite roofs.**

Please read carefully before installing.

The EZ Roof Mount with Conduit Clamp Kit provides a quick and easy way to manage 3/4" and 1" diameter conduit on composition shingle roof tops.

Installation Procedure:

1. Locate and mark the centers of the rafters to be mounted.
2. From the marked location, move down the roof 2-1/4" from the bottom of the shingle, and pre-drill a 7/32" pilot hole, through the roof and rafter approximately 3" deep.
3. Clean away any roof debris and fill the pilot hole with structural sealant, ChemLink M1 or equivalent.
4. For additional leak resistance add one horizontal bead of sealant over the flashing under the shingle and two vertical beads of sealant, one each side, under the flashing
5. Ensure the EPDM Gasket on the Shoe is properly seated, secure the Shoe to the roof using the 5/16" X 4" lag bolt provided. The recommended torque value for the 5/16" lag bolt is 20 ft-lbs.
6. Using a roofing bar, lift the composition roof shingle just above the Shoe. Slide the Flashing under the shingle and insert the threaded post of the Shoe into the hole of the Flashing.
7. Secure the L-Foot to the Shoe and Flashing using the Hex Cap provided, torque to 20 ft-lbs.
8. Install the Conduit Clamp to the L-Foot using the 3/8 bolt provided, torque to 15 ft-lbs.

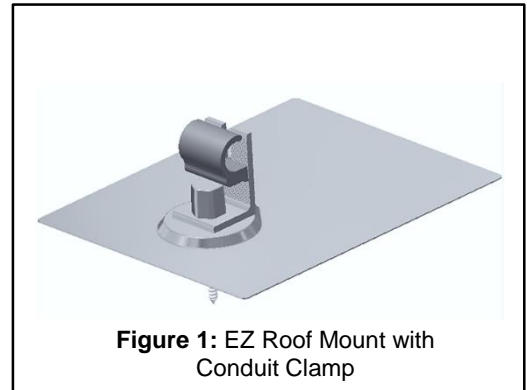


Figure 1: EZ Roof Mount with Conduit Clamp

Tools Required: 7/32" drill bit, roofing bar, torque wrench, wrench sockets, structural sealant, caulking gun, tape measure, string line and drill.

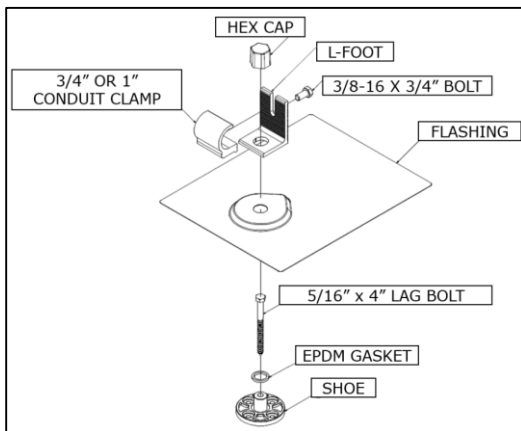


Figure 2: Materials included in kit

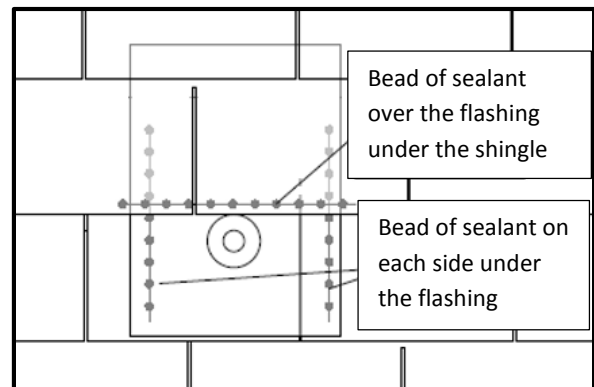


Figure 3: Sealant application

Notes: EZ Roof Mount UL listed to UL 2703 and passed UL 441-96 rain test.