



EZ Corrugated Metal Roof Mount
Patent # US 8424821

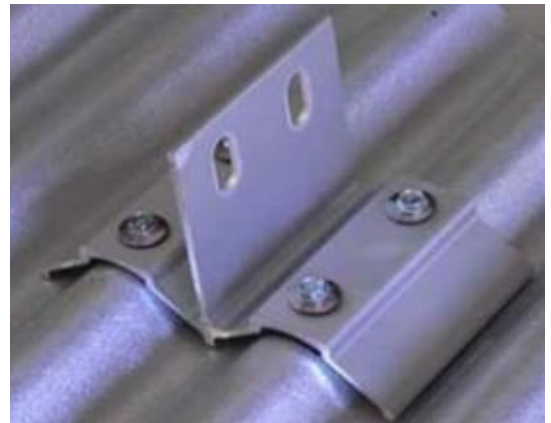
Installation Instructions for attaching the EZ Corrugated Metal Roof Mount.

Please read carefully before installing.

SunModo is proud to offer the EZ Corrugated Metal Roof Mount kit for mounting PV panels to corrugated metal roofs.

Installation Procedure:

1. To ensure a water tight seal, wipe away excess grease or debris from mounting location.
2. Secure EZ Corrugated Metal Roof Mount to crown of the metal roof profile (mounting screws not provided).
3. For added water leak protection apply structural sealant, ChemLink DuraLink or equivalent, to the mounting screw and screw head.



Tools Required:

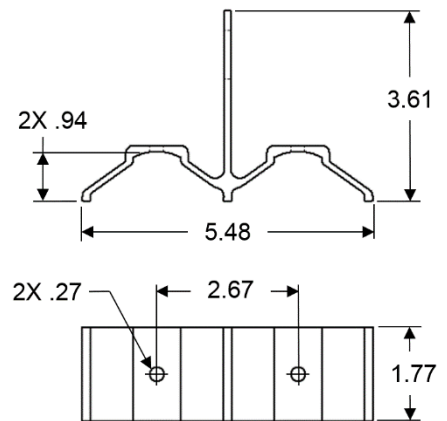
1/2" and 9/16" wrench sockets, structural sealant, drill, caulking gun, ChemLink DuraLink, tape measure and string line.



K12003-001



K12002-001



Line Drawing