

NOTES: UNLESS OTHERWISE SPECIFIED

1. THIS DRAWING IS NOT FOR CONSTRUCTION UNTIL ENGINEERING HAS REVIEWED AND STAMPED THIS DOCUMENT.

2. DIMENSIONS SHOWN ARE INCHES(MM).

3. 304 STAINLESS STEEL HARDWARE. ALL OTHER PARTS ARE 6005-T5 AL WITH ANODIZING. PIPE MATERIAL FOR THE TYPE OF PROJECT: GROUND MOUNT = STEEL SB = ALUMINUM

4. 4LXN-40DEG-GSM-Alberta.

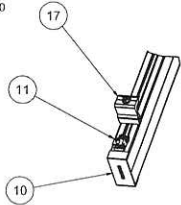
5. 1 OF 1 ARRAY TYPE.

6. 1 ARRAY TOTAL.

7. THE MAXIMUM PERMISSIBLE LENGTH OF ANY STRUCTURE SHALL BE 200 FT. FOR SYSTEMS USING A SHARED RAIL CONFIGURATION. A THERMAL BREAK IS REQUIRED IN THE RAIL EVERY 40 FT. PER THE DRAWING DETAILS.

8. APPROVED RAIL PROFILES

- A20144-HR250
- A20288-HR300
- A20145-HR350

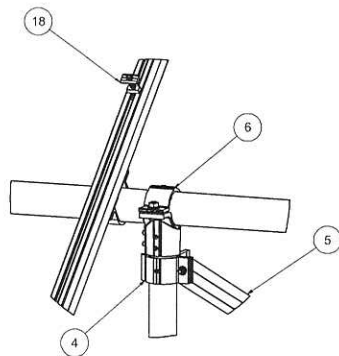


DETAIL E

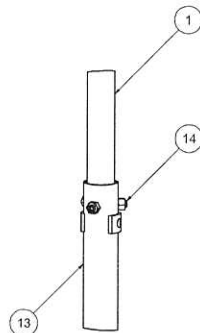
DESIGN CRITERIA:
 Alberta Building Code 2014
 Minimum Design Loads for Buildings and Other Structures (ASCE 7-10)
 Ground snow load: 99.7 psf (1.9 kPa)
 Wind speed for risk category I structures: 105 mph
 Wind Exposure: C

For part drawings and ground screw and helical pier demands see letter dated: February 12, 2019

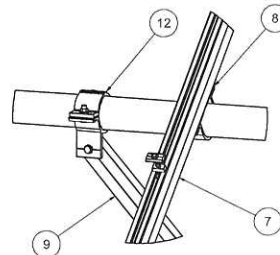
The HR250 rails may be replaced with either HR300 or HR350 rails. The part drawings for these rails can be found in the structural letter dated 02/12/2019



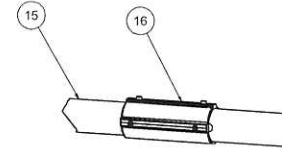
DETAIL A



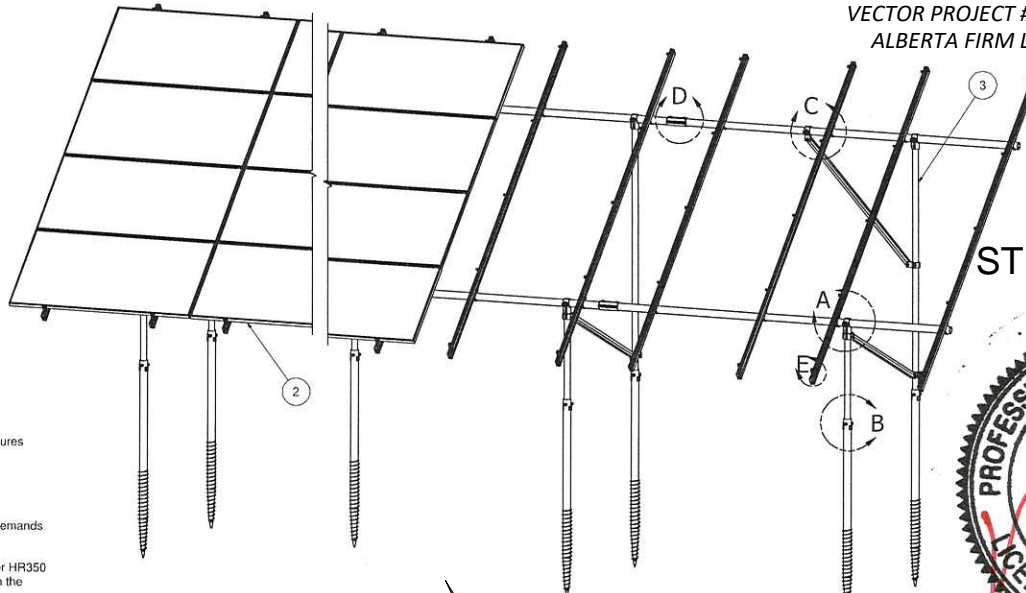
DETAIL B



DETAIL C

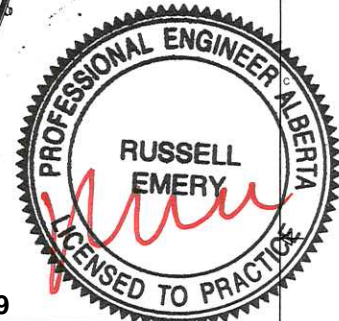


DETAIL D



VECTOR PROJECT #: U2716-071-181
 ALBERTA FIRM LICENSE: 14521

STRUCTURAL ONLY



651 W. GALENA PARK BLVD. STE. 101 DRAPER, UTAH 84020
 PHONE (801) 990-1775 WWW.VECTORSE.COM

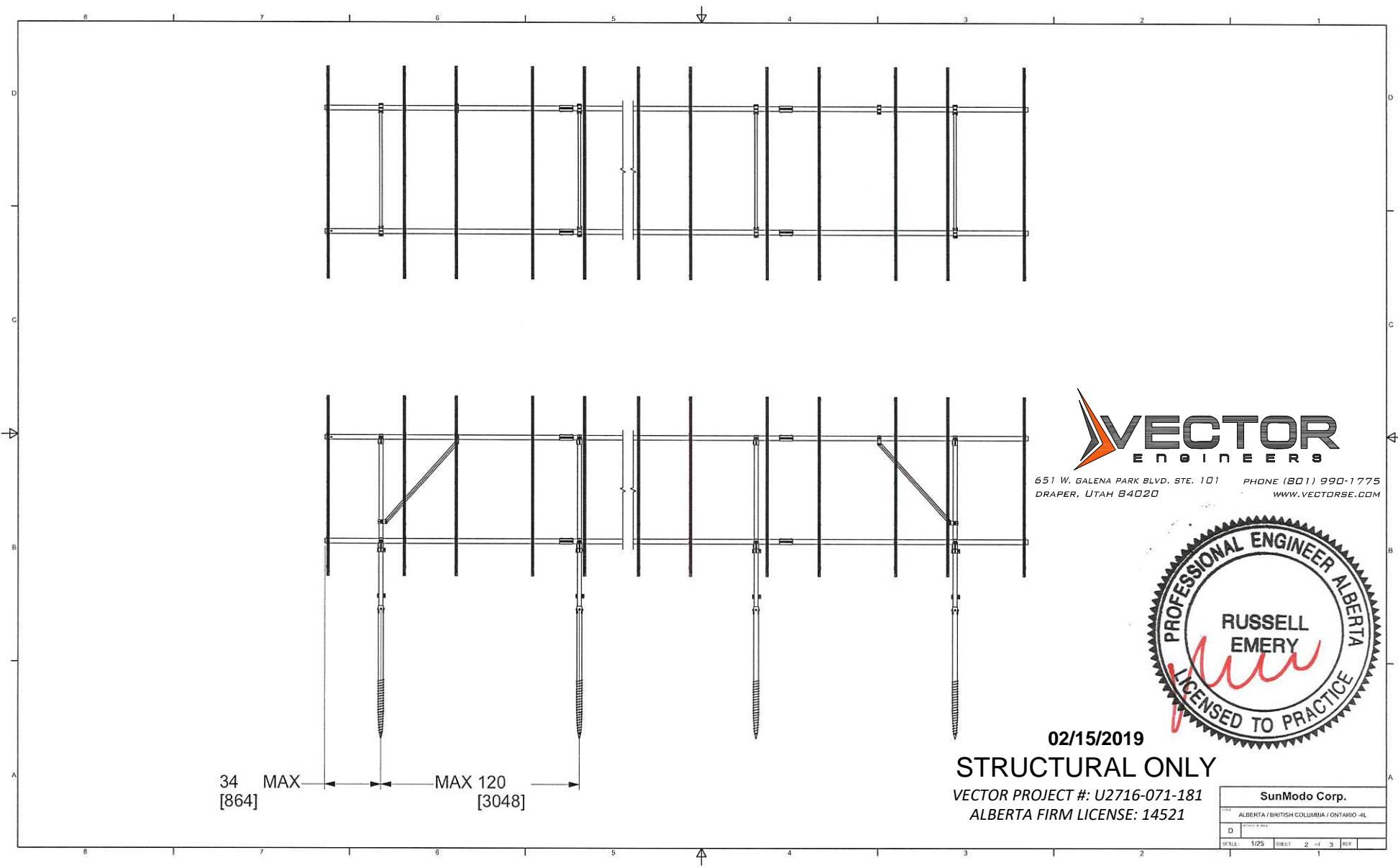
02/15/2019

ITEM	PART NUMBER	DESCRIPTION	QTY
18	K10180-001	GROUNDING MID-CLAMP KIT WITH T COLLAR BOLT AND GROUNDING BASE	
17	K10224-140	END CLAMP KIT WITH COLLAR	
16	K10342-001	2.5" PIPE SPLICE KIT	
15	A21023-146	2.5" STEEL PIPE, L=146	
14	B10055-001	CONE-POINT SET SCREW M16X25	
13	A21147-080	ANCHOR, SCREW AUGER, L=80	
12	K10222-001	2.5 PIPE CLAMP KIT	
11	K10179-001	SELF-GROUNDING LUG KIT	
10	A20284-001	END CAP HR250, GRAY	
9	A20164-066	1.5X2 AL TUBE BRACE, L=66	
8	K10343-001	2.5" AL PIPE U-CLAMP KIT	
7	A20144-166	RAIL, HR250(HELIO STANDARD), L=166	
6	K10341-001	2.5" PIPE TEE KIT	
5	A20164-076	1.5X2 AL TUBE BRACE, L=76	
4	K10219-001	2" PIPE CLAMP KIT	
3	A21022-112	2" STEEL PIPE, L=112	
2	A21022-049	PANEL: 195X392X40mm 2" STEEL PIPE, L=49	
1	A21022-049	2" STEEL PIPE, L=49	

SunModo Corp.
 14800 NE 65TH STREET, VANCOUVER WA 98682

ALBERTA / BRITISH COLUMBIA / ONTARIO-QL

SCALE: 1/23 SHEET 1 of 3



651 W. GALENA PARK BLVD. STE. 101 PHONE (801) 990-1775
 DRAPER, UTAH 84020 WWW.VECTORSE.COM

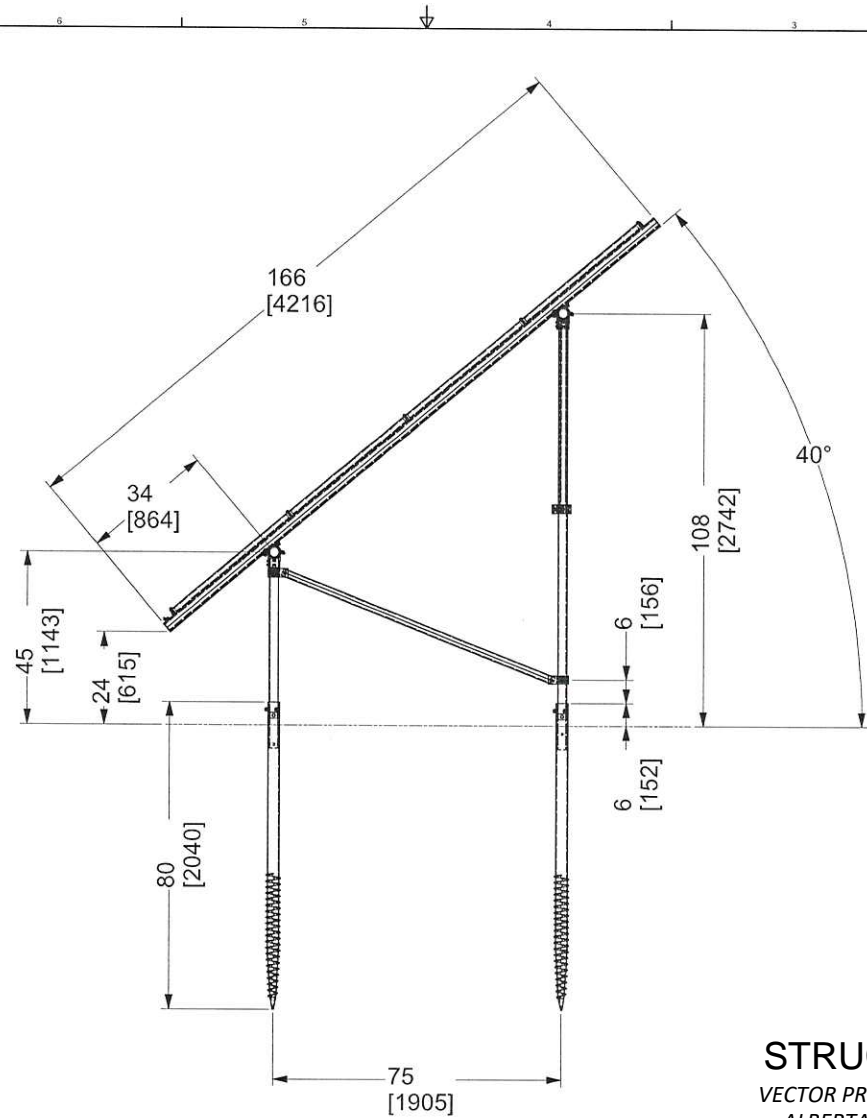


02/15/2019

STRUCTURAL ONLY

VECTOR PROJECT #: U2716-071-181
 ALBERTA FIRM LICENSE: 14521

SunModo Corp.			
ALBERTA / BRITISH COLUMBIA / ONTARIO -4L			
D	DATE	REV	BY
SCALE: 1/25	SHEET: 2	OF: 3	REV



651 W. GALENA PARK BLVD. STE. 101 PHONE (801) 990-1775
 DRAPER, UTAH 84020 WWW.VECTORSE.COM



02/15/2019
STRUCTURAL ONLY
 VECTOR PROJECT #: U2716-071-181
 ALBERTA FIRM LICENSE: 14521

SunModo Corp.			
ALBERTA / BRITISH COLUMBIA / ONTARIO - AL			
D			
SCALE: 1/15	DWG: 3	REV: 3	REV: 3