

NOTES: UNLESS OTHERWISE SPECIFIED

1. THIS DRAWING IS NOT FOR CONSTRUCTION UNTIL ENGINEERING HAS REVIEWED AND STAMPED THIS DOCUMENT.

2. DIMENSIONS SHOWN ARE INCHES[MM].

3. 304 STAINLESS STEEL HARDWARE. ALL OTHER PARTS ARE 6005-T5 AL WITH ANODIZING. PIPE MATERIAL FOR THE TYPE OF PROJECT: GROUND MOUNT = STEEL SB = ALUMINUM

4. 4LXN-40DEG-8GM-BC.

5. 1 OF 1 ARRAY TYPE.

6. 1 ARRAY TOTAL.

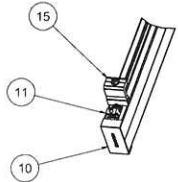
7. THE MAXIMUM PERMISSIBLE LENGTH OF ANY STRUCTURE SHALL BE 200 FT. FOR SYSTEMS USING A SHARED RAIL CONFIGURATION, A THERMAL BREAK IS REQUIRED IN THE RAIL EVERY 40 FT. PER THE DRAWING DETAILS.

8. APPROVED RAIL PROFILES
A20144-HR250
A20288-HR300
A20145-HR350

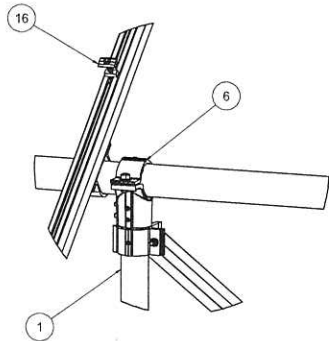
DESIGN CRITERIA:
British Columbia Building Code 2018
Minimum Design Loads for Buildings and Other Structures (ASCE 7-10)
Ground snow load: 68.9 psf (3.3 kPa)
Wind speed for risk category I structures: 105 mph
Wind Exposure: C

For part drawings and ground screw and helical pier demands see letter dated: February 14, 2019

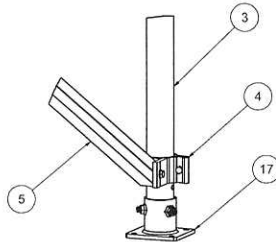
The HR250 rails may be replaced with either HR300 or HR350 rails. The part drawings for these rails can be found in the structural letter dated 02/14/2019



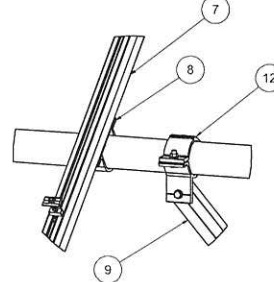
DETAIL E



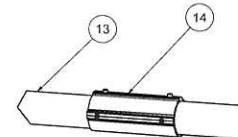
DETAIL A



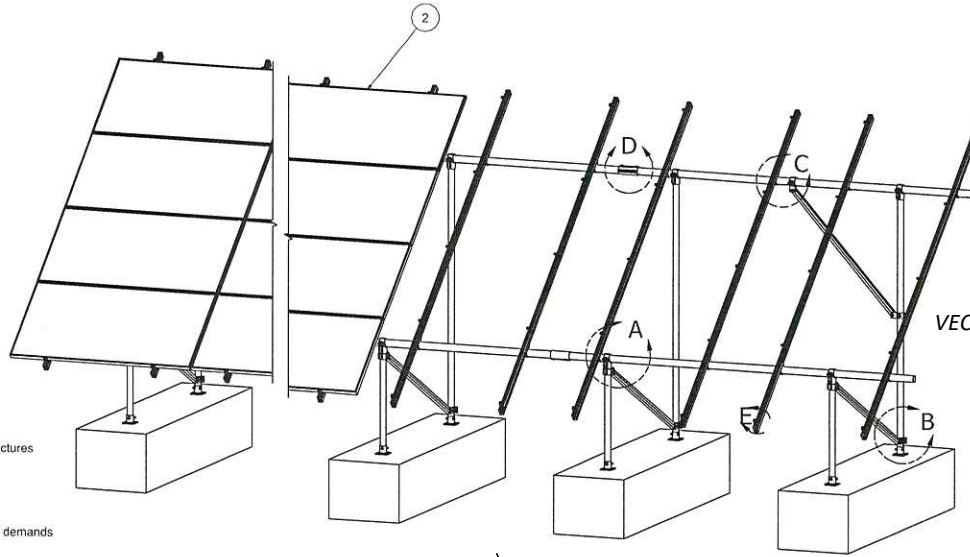
DETAIL B



DETAIL C



DETAIL D



STRUCTURAL ONLY

VECTOR PROJECT #: U2716-072-181



02/15/2019

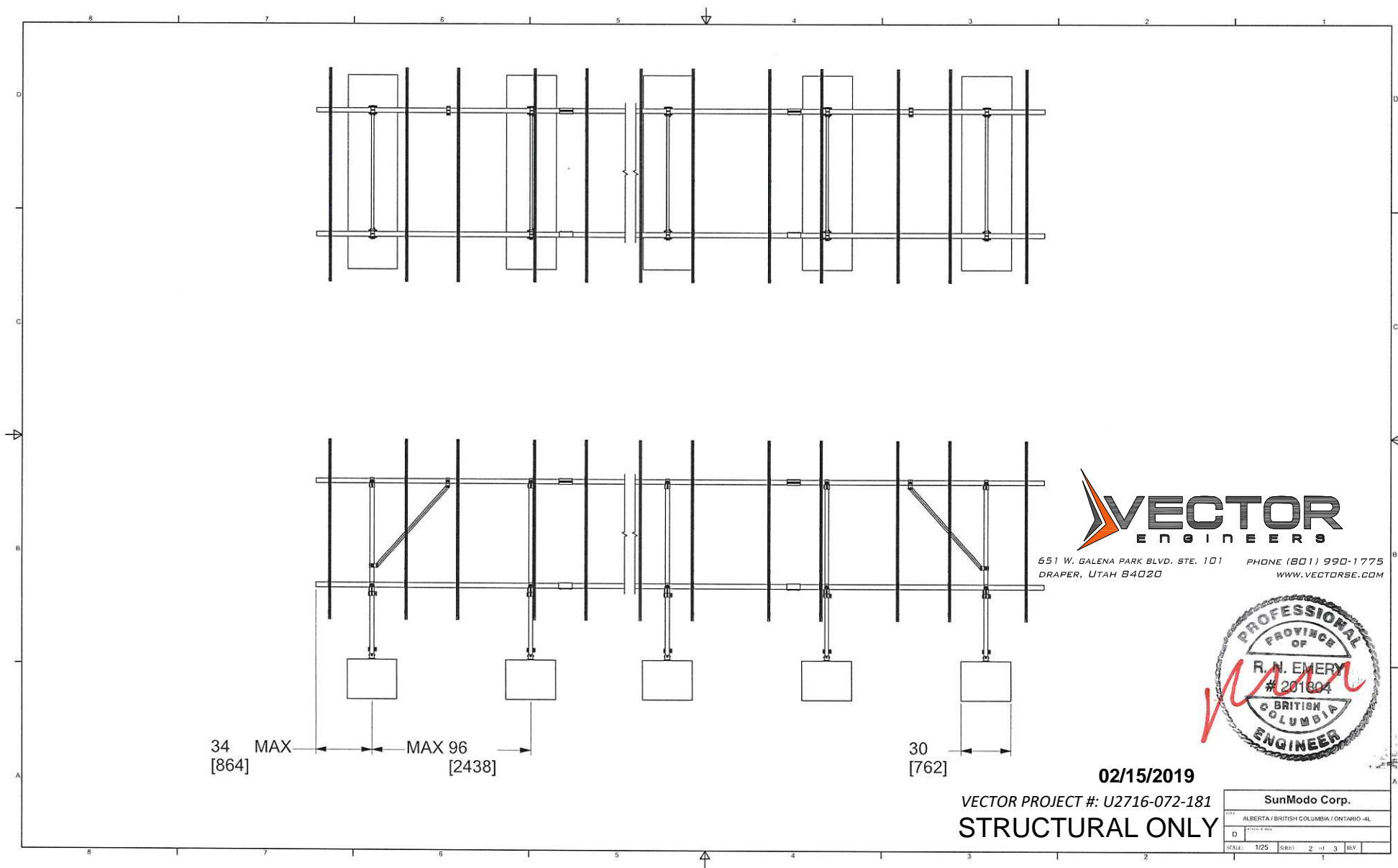
651 W. GALENA PARK BLVD. STE. 101 DRAPER, UTAH 84020 PHONE (801) 990-1775 WWW.VECTORSE.COM

ITEM#	PART NUMBER	DESCRIPTION	QTY
17	K10268-003	2" PIPE BASE KIT	
16	K10180-001	GROUNDING MID-CLAMP KIT WITH T COLLAR BOLT AND GROUNDING BASE	
15	K10224-140	END CLAMP KIT WITH COLLAR	
14	K10342-001	2.5" PIPE SPLICE KIT	
13	A21023-151	2.5" STEEL PIPE, L=151	
12	K10222-001	2.5 PIPE CLAMP KIT	
11	K10179-001	SELF-GROUNDING LUG KIT	
10	A20284-001	END CAP, HR250, GRAY	
9	A20164-066	1.5X2 AL TUBE BRACE, L=66	
8	K10343-001	2.5" AL PIPE U-CLAMP KIT	
7	A20144-166	RAIL, HR250(HELIO STANDARD), L=166	
6	K10341-001	2.5" PIPE TEE KIT	
5	A20164-079	1.5X2 AL TUBE BRACE, L=78.5	
4	K10219-001	2" PIPE CLAMP KIT	
3	A21022-106	2" STEEL PIPE, L=106	
2		PANEL: 1956X992X40mm	
1	A21022-043	2" STEEL PIPE, L=43	

SEE BOM

SunModo Corp.
14800 NE 65TH STREET, VANCOUVER WA 98682
ALBERTA / BRITISH COLUMBIA / ONTARIO - 4L

SCALE: 1/23 SHEET 1 of 3



651 W. GALENA PARK BLVD. STE. 101 DRAPER, UTAH 84020
 PHONE (801) 990-1775 WWW.VECTORSE.COM



34 MAX [864] MAX 96 [2438]

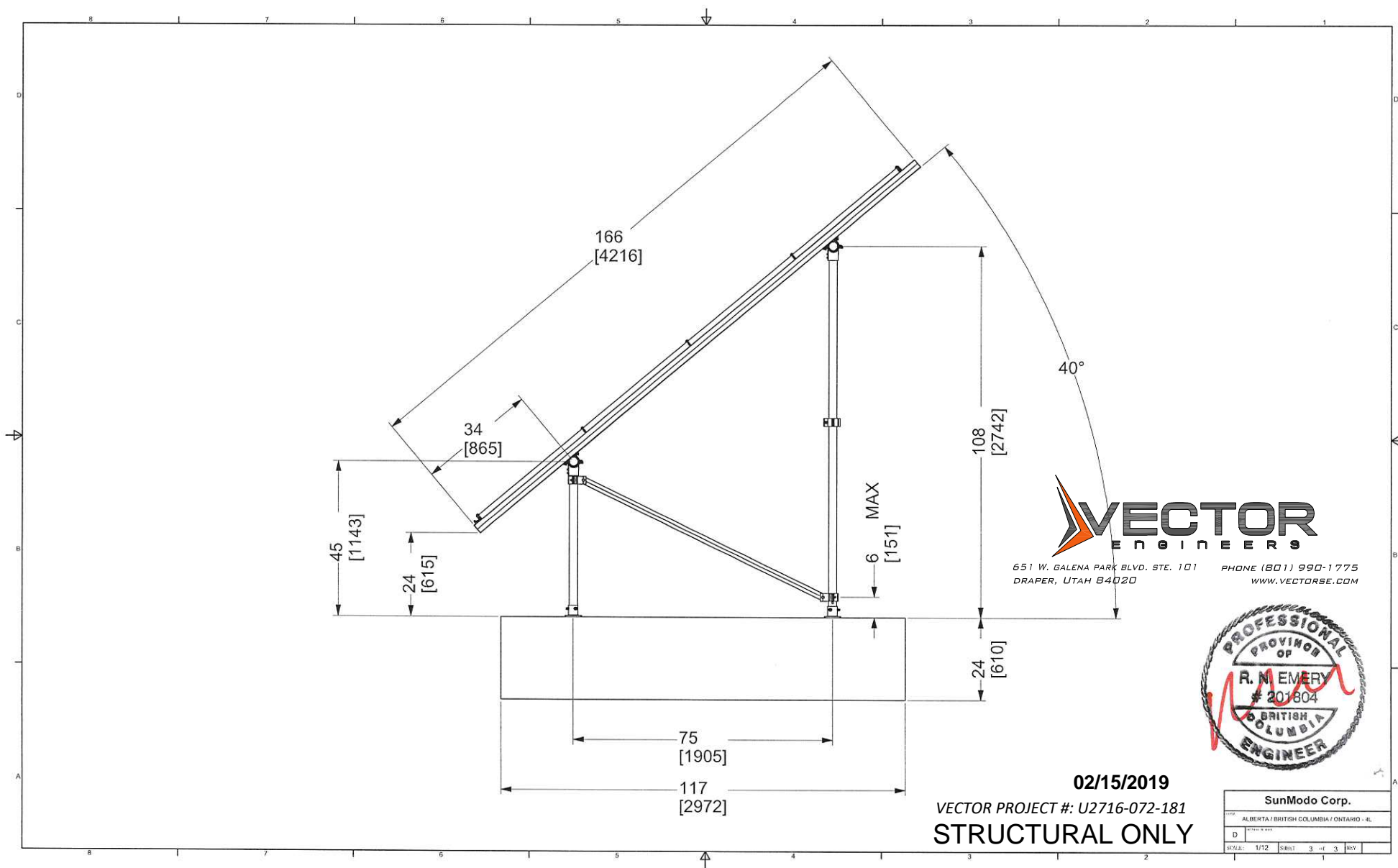
30 [762]

02/15/2019

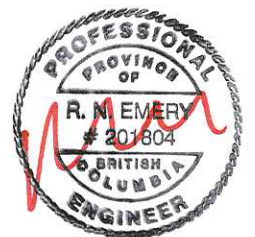
VECTOR PROJECT #: U2716-072-181

STRUCTURAL ONLY

SunModo Corp.			
ALBERTA / BRITISH COLUMBIA / ONTARIO - JL			
D	PROJECT # 181		
SCALE:	1/25	SHEET	2 of 3 REV



651 W. GALENA PARK BLVD. STE. 101 DRAPER, UTAH 84020
 PHONE (801) 990-1775
 WWW.VECTORSE.COM



02/15/2019

VECTOR PROJECT #: U2716-072-181
STRUCTURAL ONLY

SunModo Corp.	
ALBERTA / BRITISH COLUMBIA / ONTARIO - 4L	
D	DATE: 02/15/2019
SCALE: 1/12	SHEET: 3 of 3