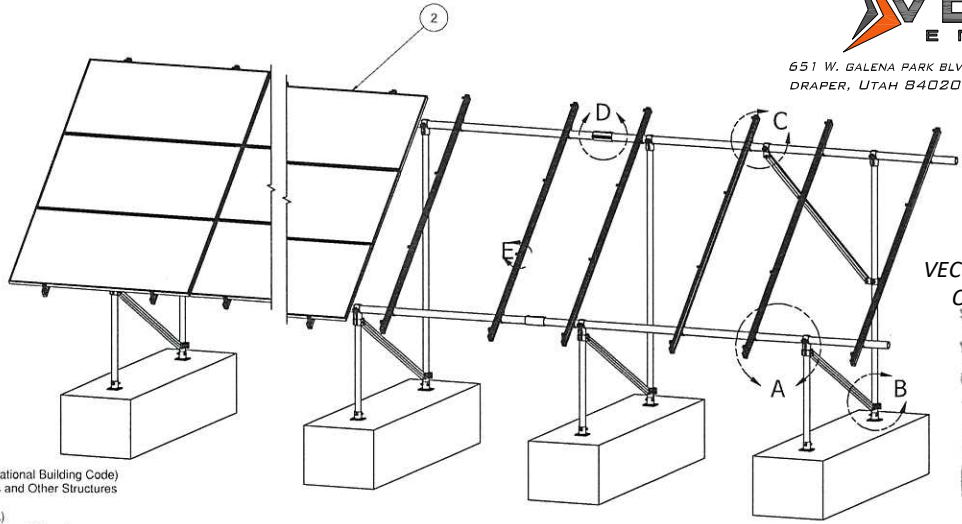


NOTES: UNLESS OTHERWISE SPECIFIED

1. THIS DRAWING IS NOT FOR CONSTRUCTION UNTIL ENGINEERING HAS REVIEWED AND STAMPED THIS DOCUMENT.
2. DIMENSIONS SHOWN ARE INCHES(MM).
3. 304 STAINLESS STEEL HARDWARE, ALL OTHER PARTS ARE 6005-T5 AL WITH ANODIZING. PIPE MATERIAL FOR THE TYPE OF PROJECT: GROUND MOUNT = STEEL SB = ALUMINUM
4. 3LXN-40DEG-BGM-Ontario.
5. 1 OF 1 ARRAY TYPE.
6. 1 ARRAY TOTAL.
7. THE MAXIMUM PERMISSIBLE LENGTH OF ANY STRUCTURE SHALL BE 200 FT. FOR SYSTEMS USING A SHARED RAIL CONFIGURATION, A THERMAL BREAK IS REQUIRED IN THE RAIL EVERY 40 FT. PER THE DRAWING DETAILS.
8. APPROVED RAIL PROFILES
A20144-HR250
A20288-HR300
A20145-HR350

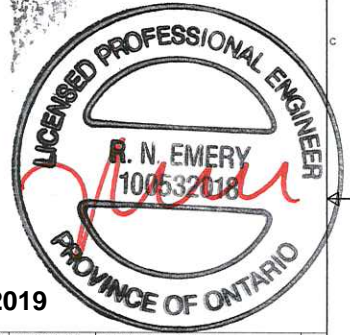


651 W. GALENA PARK BLVD. STE. 101 PHONE (801) 990-1775
DRAPER, UTAH 84020 WWW.VECTORSE.COM



STRUCTURAL ONLY

VECTOR PROJECT #: U2716-070-181
ON FIRM LICENSE: 100534525

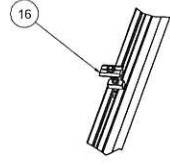


02/15/2019

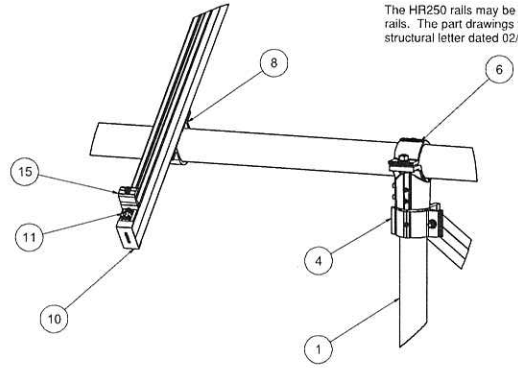
DESIGN CRITERIA:
2012 Ontario Building Code (2010 National Building Code)
Minimum Design Loads for Buildings and Other Structures (ASCE 7-10)
Ground snow load: 60.6 psf (2.9 kPa)
Wind speed for risk category I structures: 105 mph
Wind Exposure: C

For part drawings and ground screw and helical pier demands see letter dated: February 12, 2019

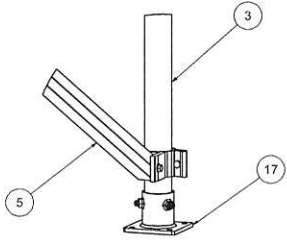
The HR250 rails may be replaced with either HR300 or HR350 rails. The part drawings for these rails can be found in the structural letter dated 02/12/2019



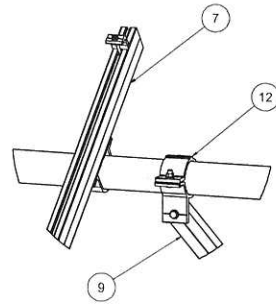
DETAIL E



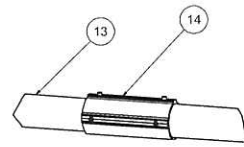
DETAIL A



DETAIL B



DETAIL C

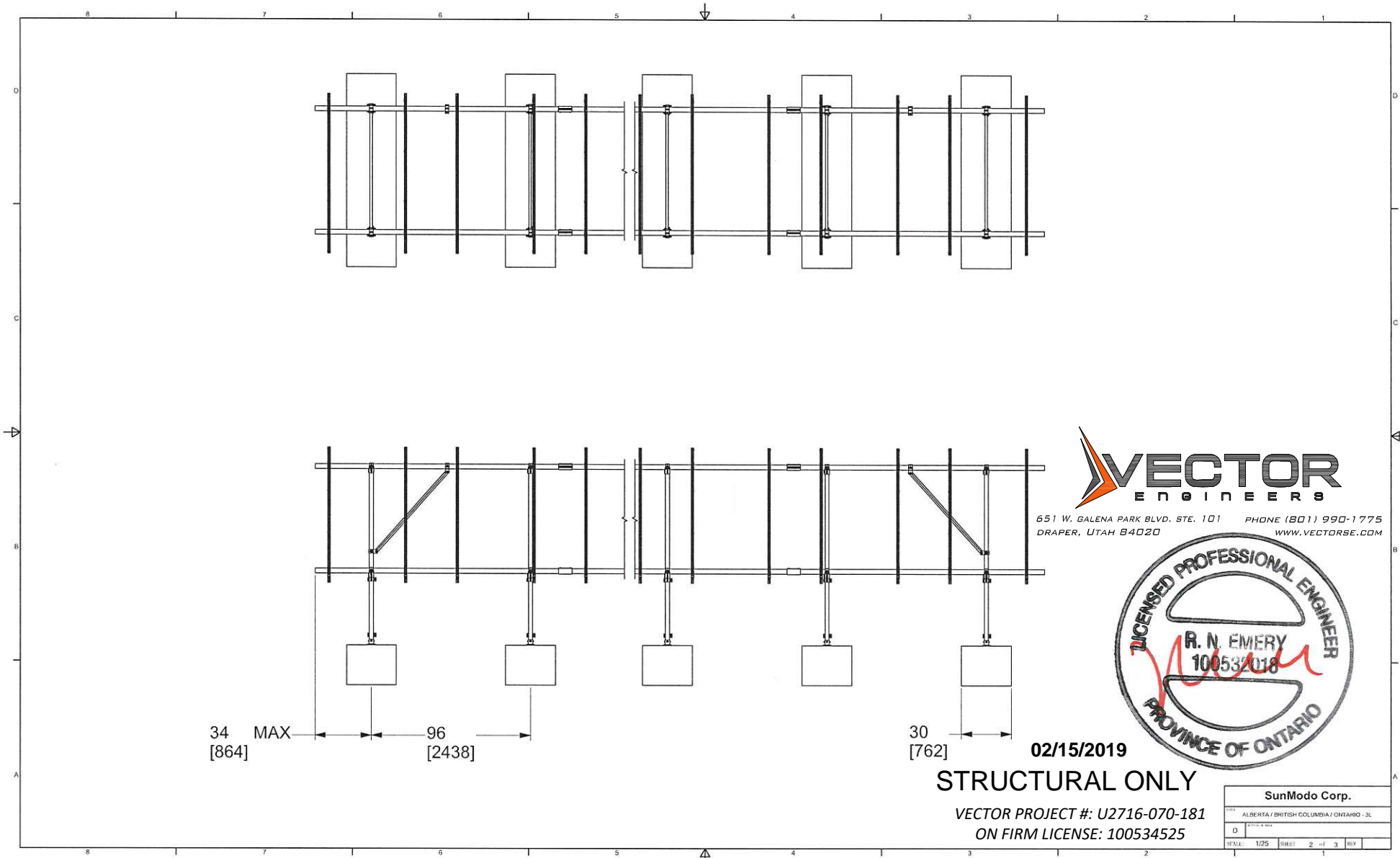


DETAIL D

ITEM	PART NUMBER	DESCRIPTION	QTY
17	K10268-003	2" PIPE BASE KIT	
16	K10180-001	GROUNDING MID-CLAMP KIT WITH T COLLAR BOLT AND GROUNDING BASE	
15	K10224-140	END CLAMP KIT WITH COLLAR	
14	K10342-001	2.5" PIPE SPLICE KIT	
13	A21023-151	2.5" STEEL PIPE, L=151	
12	K10222-001	2.5 PIPE CLAMP KIT	
11	K10179-001	SELF-GROUNDING LUG KIT	
10	A20284-001	END CAP, HR250, GRAY	
9	A20164-066	1.5X2 AL TUBE BRACE, L=66	
8	K10343-001	2.5" AL PIPE U-CLAMP KIT	
7	A20144-124	RAIL, HR250(HELIO STANDARD), L=124	
6	K10341-001	2.5" PIPE TEE KIT	
5	A20164-079	1.5X2 AL TUBE BRACE, L=78.5	
4	K10219-001	2" PIPE CLAMP KIT	
3	A21022-106	2" STEEL PIPE, L=106	
2		PANEL: 1956X992X40mm	
1	A21022-043	2" STEEL PIPE, L=43	

SunModo Corp.
14800 NE 95TH STREET, VANCOUVER WA 98052
ALBERTA / BRITISH COLUMBIA / ONTARIO - 3L

THIS DRAWING IS THE PROPERTY OF SUNMODO CORP. AND IS NOT TO BE REPRODUCED OR TRANSMITTED IN ANY FORM OR BY ANY MEANS, ELECTRONIC OR MECHANICAL, WITHOUT THE WRITTEN PERMISSION OF SUNMODO CORP.



34 MAX
[864]

96
[2438]

30
[762]

02/15/2019

STRUCTURAL ONLY

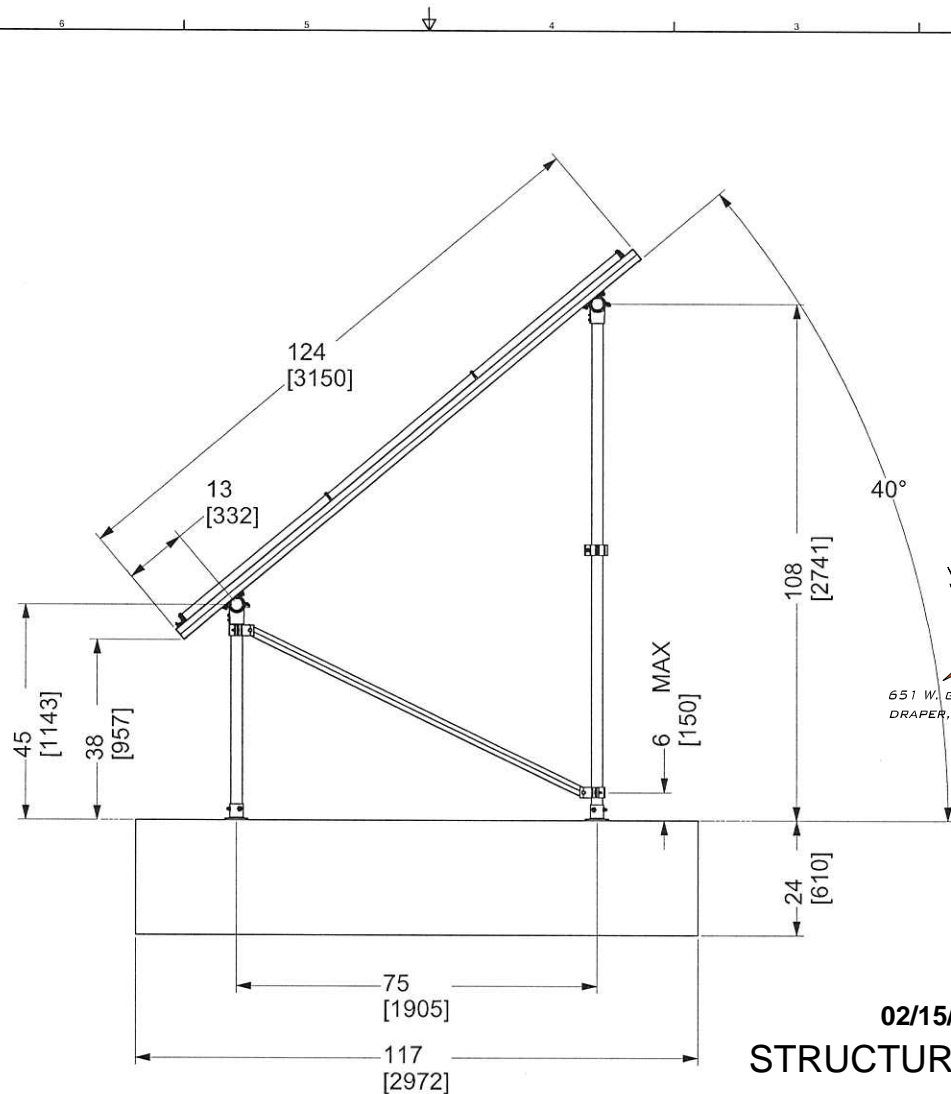
VECTOR PROJECT #: U2716-070-181
ON FIRM LICENSE: 100534525



651 W. GALENA PARK BLVD. STE. 101 PHONE (801) 990-1775
DRAPER, UTAH 84020 WWW.VECTORSE.COM



SunModo Corp.			
ALBERTA / BRITISH COLUMBIA / ONTARIO - 3L			
D			
SCALE: 1/25	DATE: 2	REV: 3	REV:



651 W. GALENA PARK BLVD. STE. 101 PHONE (801) 990-1775
 DRAPER, UTAH 84020 WWW.VECTORSE.COM



02/15/2019
STRUCTURAL ONLY

VECTOR PROJECT #: U2716-070-181
 ON FIRM LICENSE: 100534525

SunModo Corp.			
ALBERTA / BRITISH COLUMBIA / ONTARIO - 3L			
D			
SCALE	1/12	SHEET	3 of 3 REV