

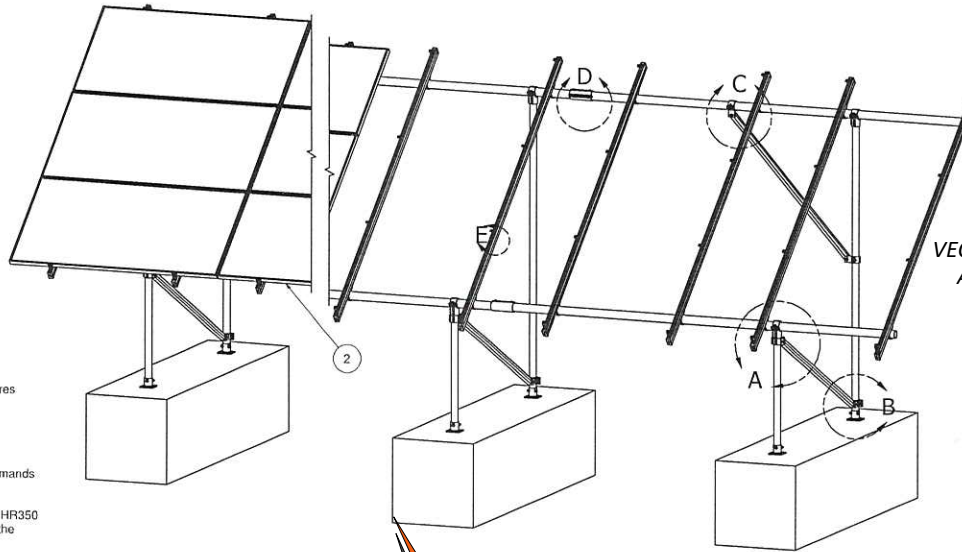
NOTES: UNLESS OTHERWISE SPECIFIED

- THIS DRAWING IS NOT FOR CONSTRUCTION UNTIL ENGINEERING HAS REVIEWED AND STAMPED THIS DOCUMENT.
- DIMENSIONS SHOWN ARE INCHES[MM].
- 304 STAINLESS STEEL HARDWARE. ALL OTHER PARTS ARE 6005-T5 AL WITH ANODIZING. PIPE MATERIAL FOR THE TYPE OF PROJECT:  
GROUND MOUNT = STEEL  
SB = ALUMINUM
- 3LXN-40DEG-8GM-Alberta.
- 1 OF 1 ARRAY TYPE.
- 1 ARRAY TOTAL.
- THE MAXIMUM PERMISSIBLE LENGTH OF ANY STRUCTURE SHALL BE 200 FT. FOR SYSTEMS USING A SHARED RAIL CONFIGURATION, A THERMAL BREAK IS REQUIRED IN THE RAIL EVERY 40 FT. PER THE DRAWING DETAILS.
- APPROVED RAIL PROFILES  
A20144-HR250  
A20288-HR300  
A20145-HR350

DESIGN CRITERIA:  
Alberta Building Code 2014  
Minimum Design Loads for Buildings and Other Structures (ASCE 7-10)  
Ground snow load: 39.7 psf (1.9 kPa)  
Wind speed for risk category I structures: 105 mph  
Wind Exposure: C

For part drawings and ground screw and helical pier demands see letter dated: February 12, 2019

The HR250 rails may be replaced with either HR300 or HR350 rails. The part drawings for these rails can be found in the structural letter dated 02/12/2019



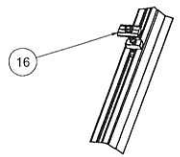
**STRUCTURAL ONLY**

VECTOR PROJECT #: U2716-071-181  
ALBERTA FIRM LICENSE#: 14521

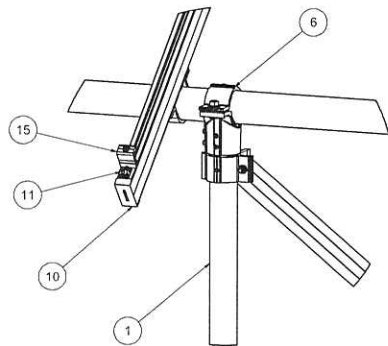


651 W. GALENA PARK BLVD., STE. 101 DRAPER, UTAH 84020  
PHONE (801) 990-1775  
WWW.VECTORSE.COM

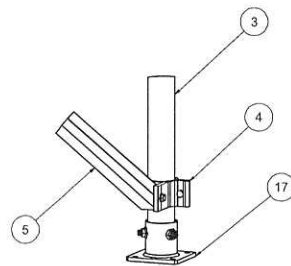
02/15/2019



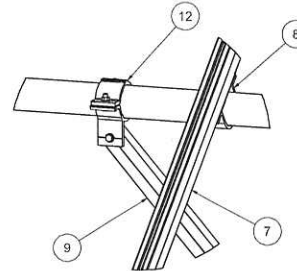
DETAIL E



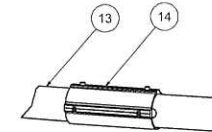
DETAIL A



DETAIL B



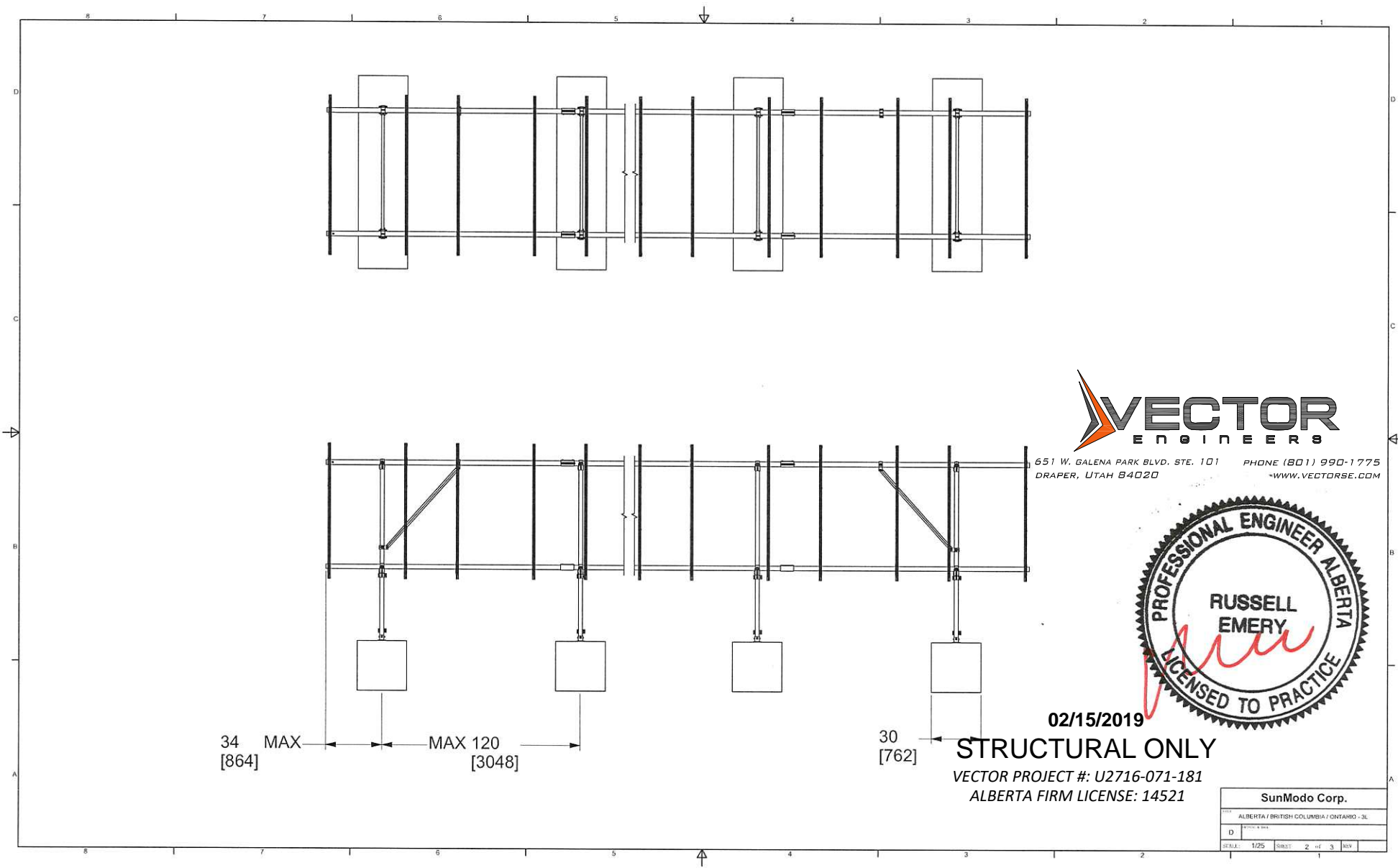
DETAIL C



DETAIL D

ITEM	PART NUMBER	DESCRIPTION	QTY
17	K10268-003	2" PIPE BASE KIT	
16	K10180-001	GROUNDING MID-CLAMP KIT WITH T COLLAR BOLT AND GROUNDING BASE	
15	K10224-140	END CLAMP KIT WITH COLLAR	
14	K10342-001	2.5" PIPE SPLICE KIT	
13	A21023-146	2.5" STEEL PIPE, L=146	
12	K10222-001	2.5 PIPE CLAMP KIT	
11	K10179-001	SELF-GROUNDING LUG KIT	
10	A20284-001	END CAP HR250,GRAY	
9	A20164-066	1.5X2 AL TUBE BRACE, L=66	
8	K10343-001	2.5" AL PIPE U-CLAMP KIT	
7	A20144-124	RAIL, HR250(HELIO STANDARD), L=124	
6	K10341-001	2.5" PIPE TEE KIT	
5	A20164-079	1.5X2 AL TUBE BRACE, L=78.5	
4	K10219-001	2" PIPE CLAMP KIT	
3	A21022-106	2" STEEL PIPE, L=106	
2		PANEL: 1956X992X40mm	
1	A21022-043	2" STEEL PIPE, L=43	
SEE BOM			
SunModo Corp.			
14900 NE 65TH STREET, VANCOUVER WA 98642			
ALBERTA / BRITISH COLUMBIA / ONTARIO - 3L			
D			
SCALE: 1/20		SHEET 1 of 3	

THIS DRAWING IS CONSIDERED VOID WITHOUT SIGNATURE AND IS UNCONTROLLED UNLESS BY SPECIFIED METHOD THE USER HAS IN CONTACT WITH THE ORIGINAL COMPANY.



651 W. GALENA PARK BLVD. STE. 101      PHONE (801) 990-1775  
 DRAPER, UTAH 84020      WWW.VECTORSE.COM

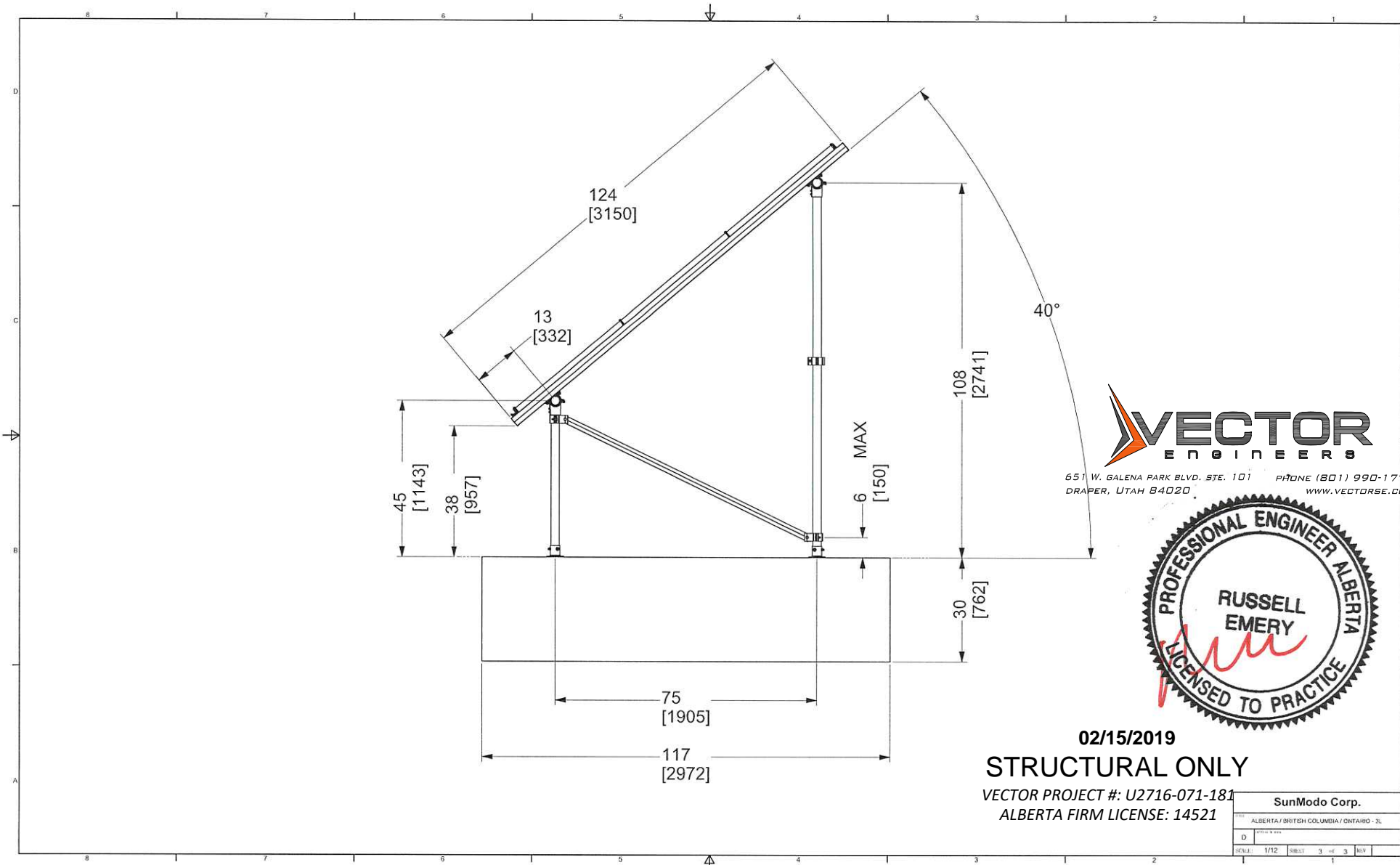


02/15/2019

**STRUCTURAL ONLY**

VECTOR PROJECT #: U2716-071-181  
 ALBERTA FIRM LICENSE: 14521

SunModo Corp.	
ALBERTA / BRITISH COLUMBIA / ONTARIO - 3E	
D	
SCALE: 1/25	SHEET: 2 of 3 REV



651 W. GALENA PARK BLVD. STE. 101 DRAPER, UTAH 84020  
 PHONE (801) 990-1775  
 WWW.VECTORSE.COM



02/15/2019

**STRUCTURAL ONLY**

VECTOR PROJECT #: U2716-071-181  
 ALBERTA FIRM LICENSE: 14521

SunModo Corp.	
ALBERTA / BRITISH COLUMBIA / ONTARIO - 3L	
D	
SCALE: 1/12	SHEET: 3 of 3