

NOTES: UNLESS OTHERWISE SPECIFIED

1. THIS DRAWING IS NOT FOR CONSTRUCTION UNTIL ENGINEERING HAS REVIEWED AND STAMPED THIS DOCUMENT.
2. DIMENSIONS SHOWN ARE INCHES[MM].
3. 304 STAINLESS STEEL HARDWARE. ALL OTHER PARTS ARE 6005-T5 AL WITH ANODIZING. PIPE MATERIAL FOR THE TYPE OF PROJECT: GROUND MOUNT = STEEL SB = ALUMINUM
4. 2PXN-40DEG-BGM-Ontario.
5. 1 OF 1 ARRAY TYPE.
6. 1 ARRAY TOTAL.
7. THE MAXIMUM PERMISSIBLE LENGTH OF ANY STRUCTURE SHALL BE 200 FT. FOR SYSTEMS USING A SHARED RAIL CONFIGURATION. A THERMAL BREAK IS REQUIRED IN THE RAIL EVERY 40 FT. PER THE DRAWING DETAILS.
8. APPROVED RAIL PROFILES  
A20144-HR250  
A20288-HR300  
A20145-HR350

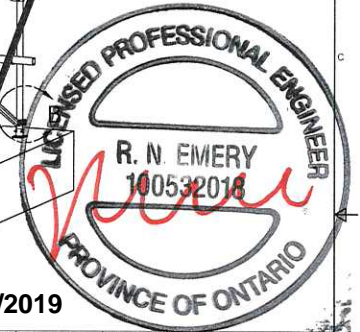
DESIGN CRITERIA:  
2012 Ontario Building Code (2010 National Building Code)  
Minimum Design Loads for Buildings and Other Structures (ASCE 7-10)  
Ground snow load: 60.6 psf (2.9 kPa)  
Wind speed for risk category I structures: 105 mph  
Wind Exposure: C

For part drawings and ground screw and helical pier demands see letter dated: February 12, 2019

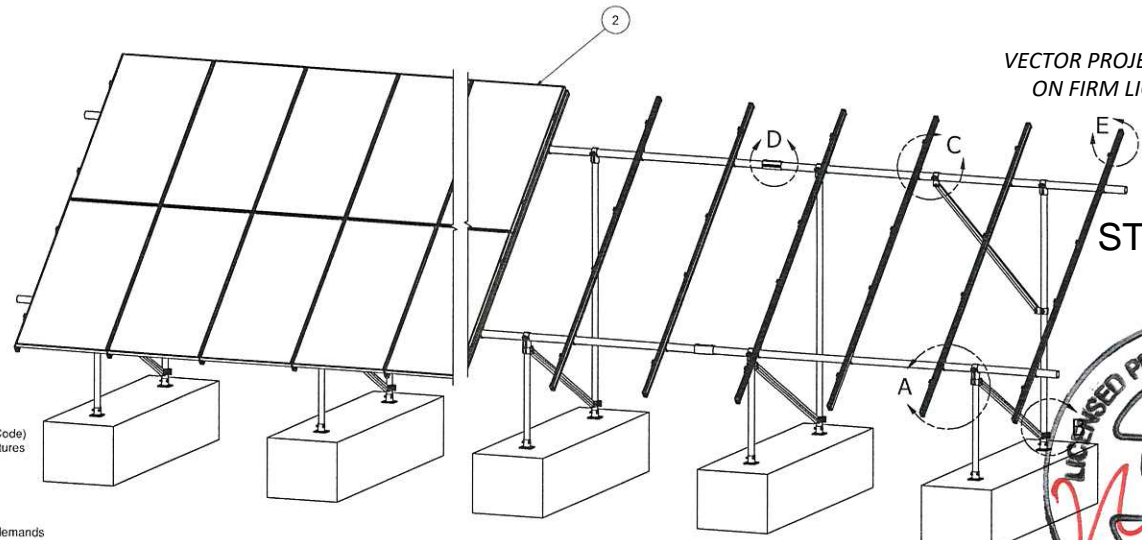
The HR250 rails may be replaced with either HR300 or HR350 rails. The part drawings for these rails can be found in the structural letter dated 02/12/2019

VECTOR PROJECT #: U2716-070-181  
ON FIRM LICENSE: 100534525

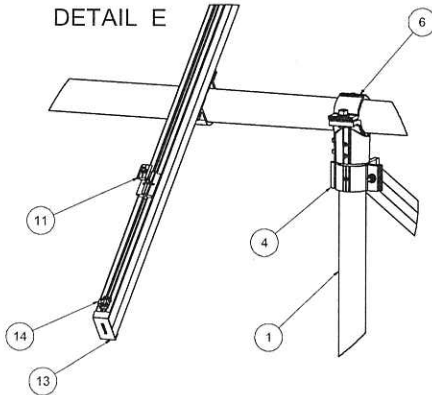
STRUCTURAL  
ONLY



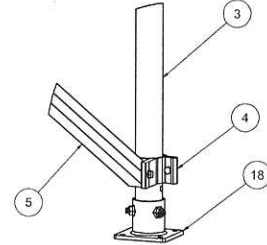
651 W. GALENA PARK BLVD. STE. 101 DRAPER, UTAH 84020  
PHONE (801) 990-1775  
WWW.VECTORSE.COM



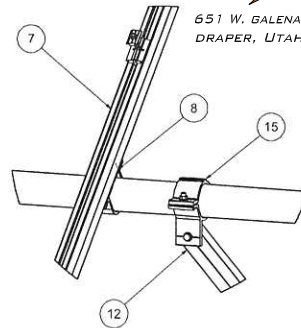
DETAIL E



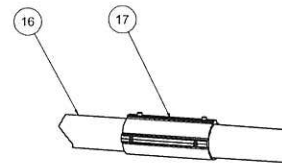
DETAIL A



DETAIL B



DETAIL C



DETAIL D

ITEM	PART NUMBER	DESCRIPTION	QTY
18	K10268-003	2" PIPE BASE KIT	
17	K10342-001	2.5" PIPE SPLICE KIT	
16	A21023-151	2.5" STEEL PIPE, L=151	
15	K10222-001	2.5" PIPE CLAMP KIT	
14	K10179-001	SELF-GROUNDING LUG KIT	
13	A20284-001	END CAP, HR250, GRAY	
12	A20164-066	1.5X2 AL TUBE BRACE, L=66	
11	K10182-001	LANDSCAPE GROUNDING MID CLAMP KIT	
10	K10224-140	END CLAMP KIT WITH COLLAR	
9	K10176-001	LANDSCAPE GROUNDING ADAPTOR	
8	K10343-001	2.5" AL PIPE U-CLAMP KIT	
7	A20144-154	RAIL, HR250(HELIO STANDARD), L=154	
6	K10341-001	2.5" PIPE TEE KIT	
5	A20164-079	1.5X2 AL TUBE BRACE, L=78.5	
4	K10219-001	2" PIPE CLAMP KIT	
3	A21022-106	2" STEEL PIPE, L=106	
2		PANEL: 1956X992X40mm	
1	A21022-043	2" STEEL PIPE, L=43	

SEE BOM

PREPARED BY: [Signature]

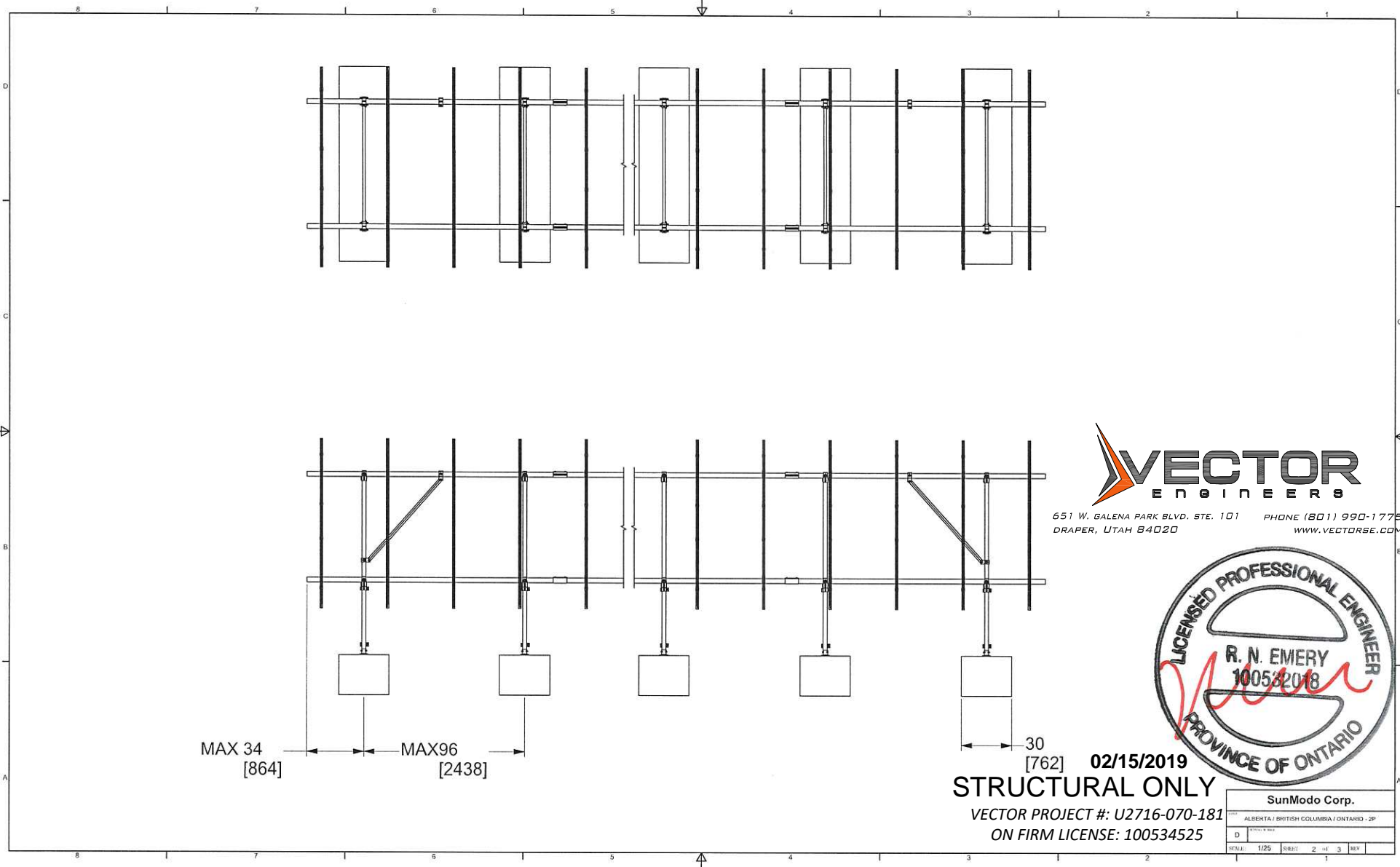
DATE: 02/15/2019

PROJECT: U2716-070-181

SCALE: 1/23

SHEET 1 of 3

SunModo Corp.  
14800 NE 65TH STREET, VANCOUVER WA 98642  
ALBERTA / BRITISH COLUMBIA / ONTARIO - 2P



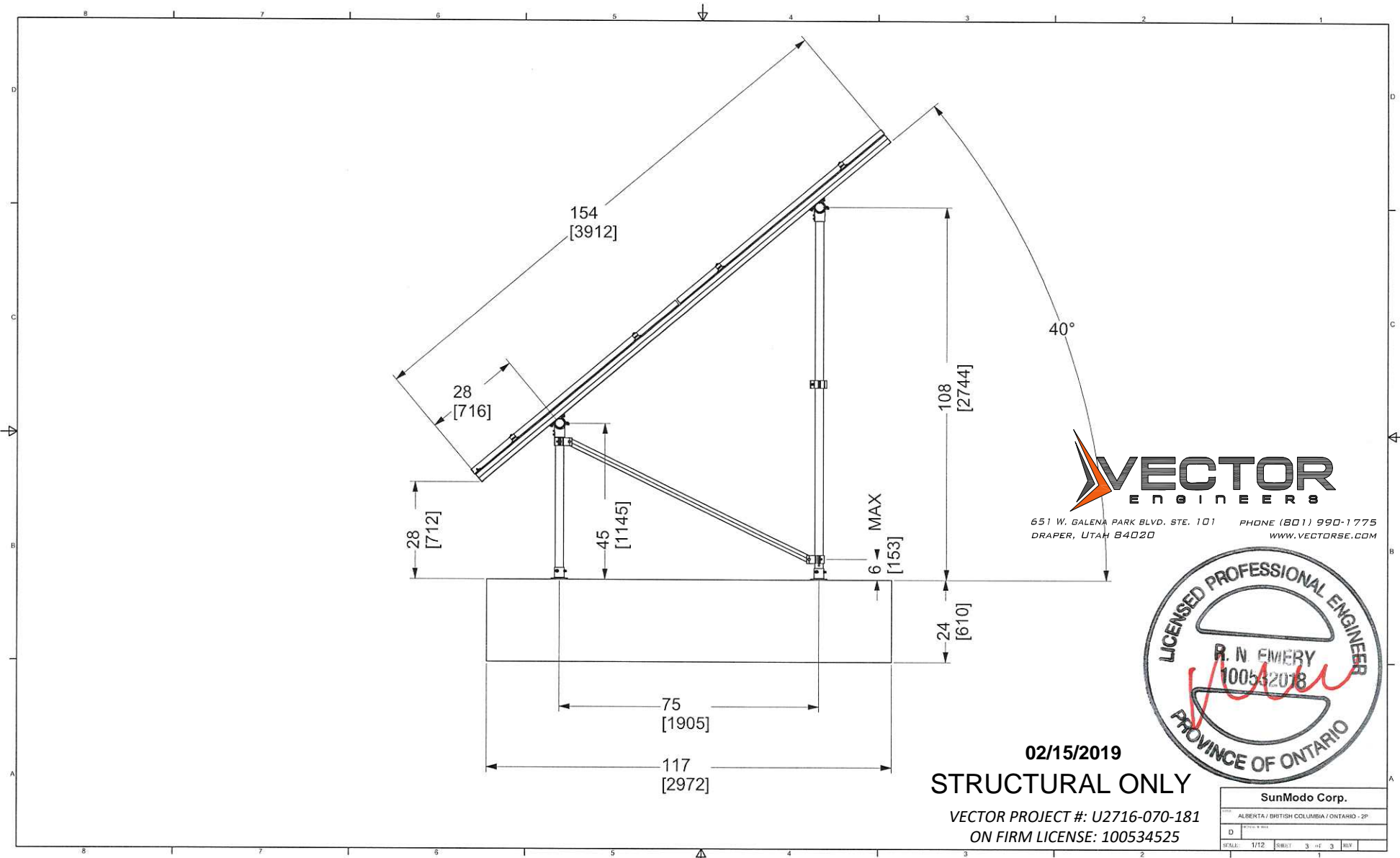
651 W. GALENA PARK BLVD. STE. 101 PHONE (801) 990-1775  
 DRAPER, UTAH 84020 WWW.VECTORSE.COM



02/15/2019  
**STRUCTURAL ONLY**

VECTOR PROJECT #: U2716-070-181  
 ON FIRM LICENSE: 100534525

SunModo Corp.			
ALBERTA / BRITISH COLUMBIA / ONTARIO - 2P			
D	DATE	REV	REV
SCALE: 1/25	SHEET: 2	OF: 3	REV



651 W. GALENA PARK BLVD. STE. 101 PHONE (801) 990-1775  
 DRAPER, UTAH 84020 WWW.VECTORSE.COM



02/15/2019  
**STRUCTURAL ONLY**  
 VECTOR PROJECT #: U2716-070-181  
 ON FIRM LICENSE: 100534525

SunModo Corp.			
ALBERTA / BRITISH COLUMBIA / ONTARIO - 2P			
D	DATE	REV	REV
SCALE: 1/12	SHEET: 3	OF: 3	REV