

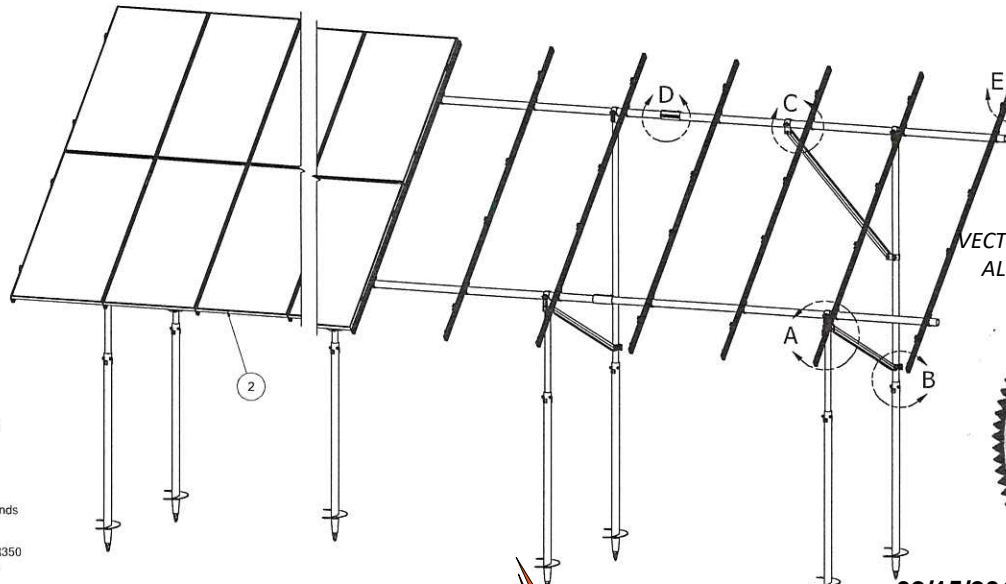
NOTES: UNLESS OTHERWISE SPECIFIED

1. THIS DRAWING IS NOT FOR CONSTRUCTION UNTIL ENGINEERING HAS REVIEWED AND STAMPED THIS DOCUMENT.
2. DIMENSIONS SHOWN ARE INCHES[MM].
3. 304 STAINLESS STEEL HARDWARE. ALL OTHER PARTS ARE 6005-T5 AL WITH ANODIZING. PIPE MATERIAL FOR THE TYPE OF PROJECT: GROUND MOUNT = STEEL SB = ALUMINUM
4. 2PXN-40DEG-AGM-Alberta.
5. 1 OF 1 ARRAY TYPE.
6. 1 ARRAY TOTAL.
7. THE MAXIMUM PERMISSIBLE LENGTH OF ANY STRUCTURE SHALL BE 200 FT. FOR SYSTEMS USING A SHARED RAIL CONFIGURATION, A THERMAL BREAK IS REQUIRED IN THE RAIL EVERY 40 FT. PER THE DRAWING DETAILS.
8. APPROVED RAIL PROFILES
A20144-HR250
A20288-HR300
A20145-HR350

DESIGN CRITERIA:
Alberta Building Code 2014
Minimum Design Loads for Buildings and Other Structures (ASCE 7-10)
Ground snow load: 39.7 psf (1.9 kPa)
Wind speed for risk category I structures: 105 mph
Wind Exposure: C

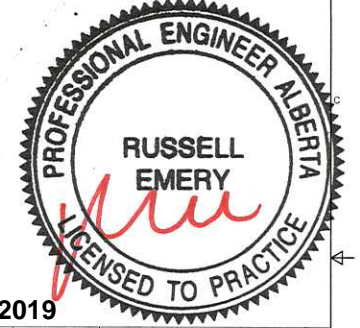
For part drawings and ground screw and helical pier demands see letter dated: February 12, 2019

The HR250 rails may be replaced with either HR300 or HR350 rails. The part drawings for these rails can be found in the structural letter dated 02/12/2019



STRUCTURAL ONLY

VECTOR PROJECT #: U2716-071-181
ALBERTA-FIRM LICENSE: 14521

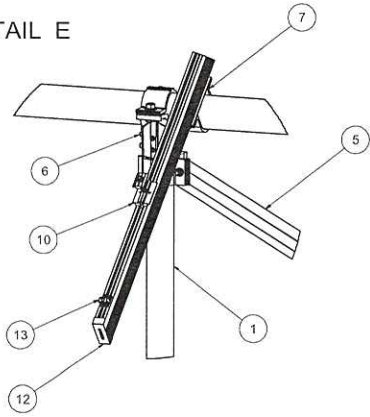


02/15/2019

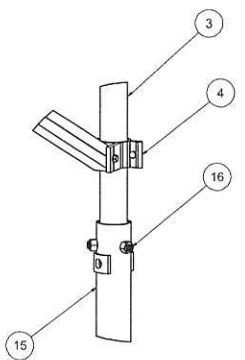


651 W. GALENA PARK BLVD. STE. 101 DRAPER, UTAH 84020
PHONE (801) 990-1775 WWW.VECTORSE.COM

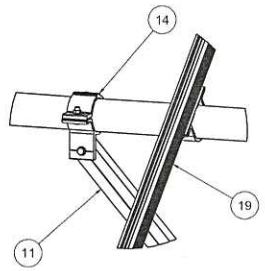
DETAIL E



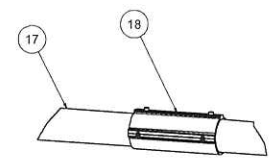
DETAIL A



DETAIL B

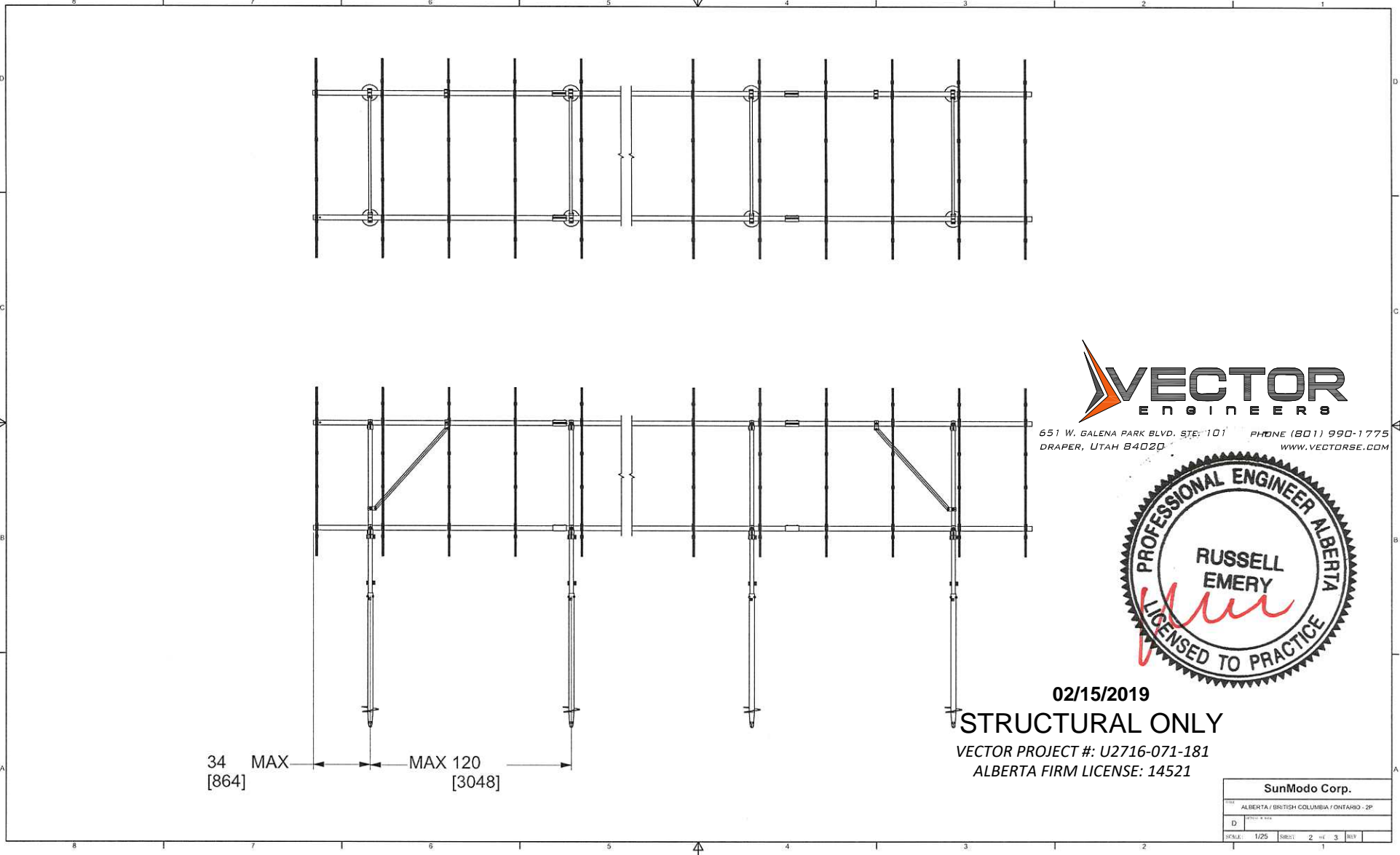


DETAIL C



DETAIL D

ITEM	PART NUMBER	DESCRIPTION	QTY
19	A20144-154	RAIL, HR250(HELIO STANDARD), L=154	
18	K10342-001	2.5" PIPE SPLICE KIT	
17	A21023-147	2.5" STEEL PIPE, L=147	
16	B10055-001	CONE-POINT SET SCREW M16X25	
15	A21146-080	ANCHOR, 10" HELIX BLADE AUGER	
14	K10222-001	2.5 PIPE CLAMP KIT	
13	K10179-001	SELF-GROUNDING LUG KIT	
12	A20284-001	END CAP HR250 GRAY	
11	A20164-066	1.5X2 AL TUBE BRACE, L=66	
10	K10182-001	LANDSCAPE GROUNDING MID CLAMP KIT	
9	K10224-140	END CLAMP KIT WITH COLLAR	
8	K10176-001	LANDSCAPE GROUNDING ADAPTOR	
7	K10343-001	2.5" AL PIPE U-CLAMP KIT	
6	K10341-001	2.5" PIPE TEE KIT	
5	A20164-076	1.5X2 AL TUBE BRACE, L=76	
4	K10219-001	2" PIPE CLAMP KIT	
3	A21022-112	2" STEEL PIPE, L=112	
2		PANEL: 1956X992X40mm	
1	A21022-049	2" STEEL PIPE, L=49	
ITEM PART NUMBER		DESCRIPTION	QTY
<p>SunModo Corp. 14800 NE 45TH STREET, VANCOUVER WA 98682 ALBERTA / BRITISH COLUMBIA / ONTARIO - 2P</p>			
SCALE:		1/23	SHEET 1 of 3



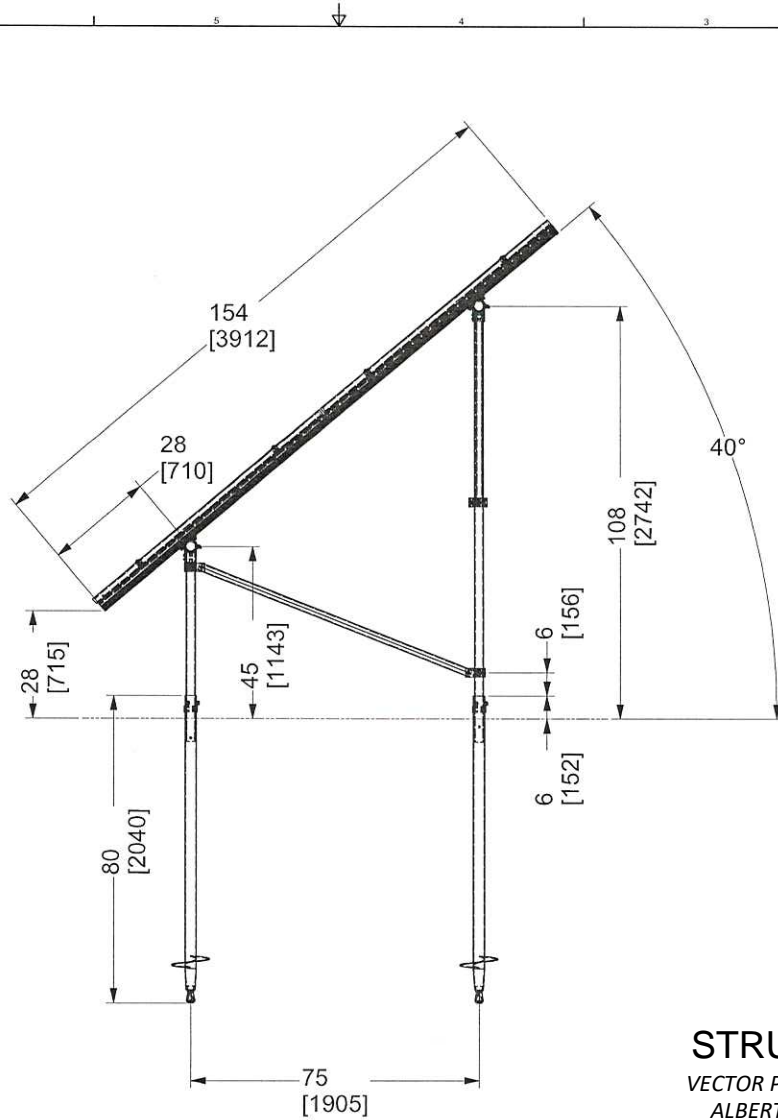
651 W. GALENA PARK BLVD., STE. 101 PHONE (801) 990-1775
 DRAPER, UTAH 84020 WWW.VECTORSE.COM



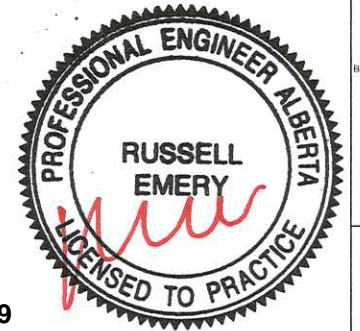
02/15/2019
STRUCTURAL ONLY
 VECTOR PROJECT #: U2716-071-181
 ALBERTA FIRM LICENSE: 14521

34 MAX [864] MAX 120 [3048]

SunModo Corp.			
ALBERTA / BRITISH COLUMBIA / ONTARIO - 2P			
D	Project Name		
SCALE: 1/25	SHEET	2	OF 3



651 W. GALENA PARK BLVD. STE. 101 PHONE (801) 990-1775
 DRAPER, UTAH 84020 WWW.VECTORSE.COM



02/15/2019

STRUCTURAL ONLY

VECTOR PROJECT #: U2716-071-181
 ALBERTA FIRM LICENSE: 14521

SunModo Corp.			
ALBERTA / BRITISH COLUMBIA / ONTARIO - 2P			
D			
DATE: 1/15	REV: 3	REV: 3	REV: 3